







ASSEMBLY INSTRUCTIONS

REMOVE PARTS FROM PLASTIC WRAP

CHECK ALL OF THE FOLLOWING PARTS ARE INCLUDED:

- 1 x Metal Base
- 1 x Center Pole
- 1 x Square Display Tray
- 1 x Plastic Washer
- 6 x Support Rod

- 1 x Hook Plate (Type A) 
- 2 x Hook Plate (Type B) 
- 12 x Small Head Screw 
- 2 x Large Head Screw 

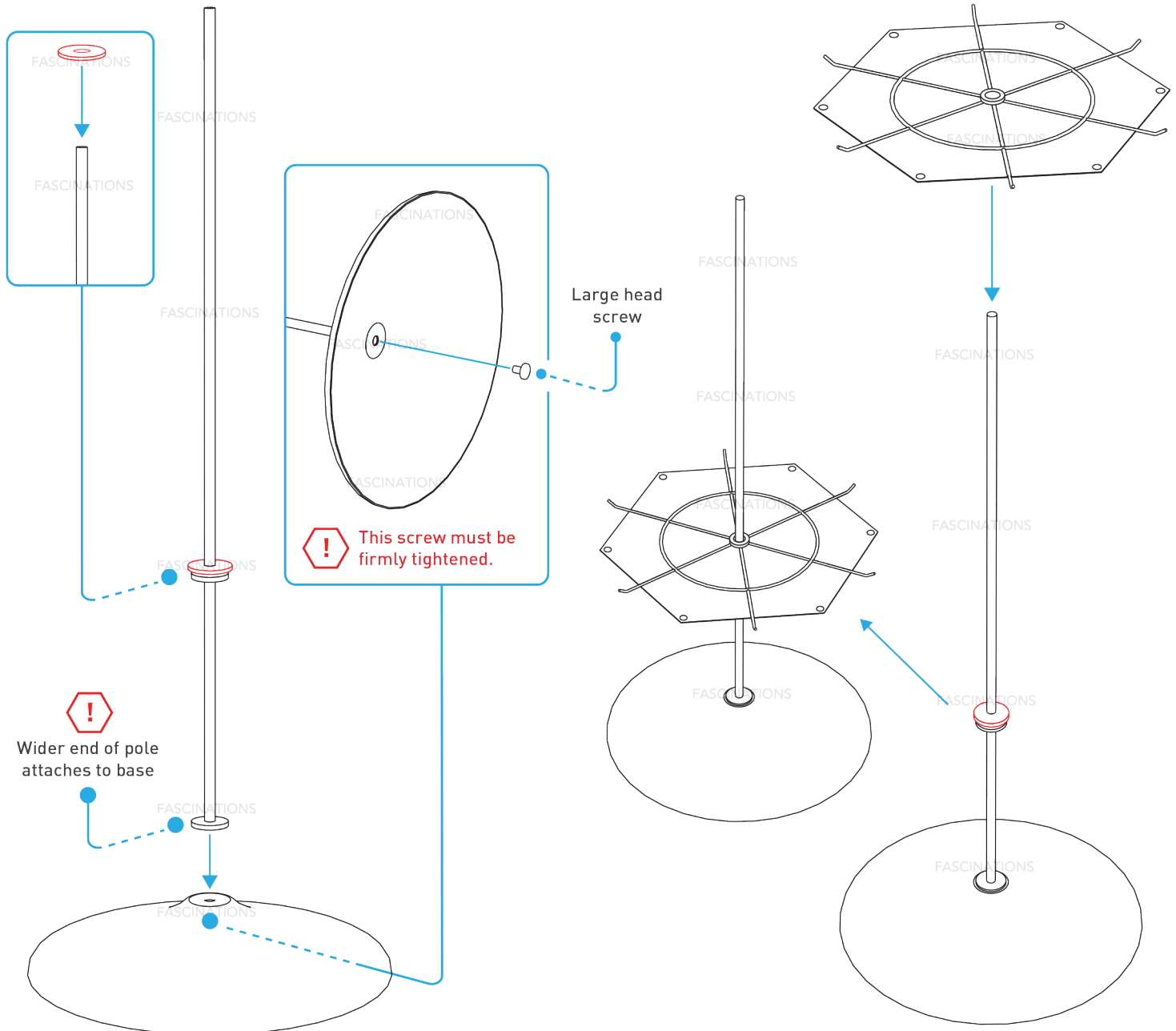
- 1 x Small Hex Key 
- 1 x Large Hex Key 

You can view the assembly video at:
www.fascinations.com/wire3tier

ASSEMBLY STEPS

1 Screw the center pole onto the metal base as shown. Then slide the plastic washer over the top of the pole.

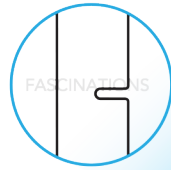
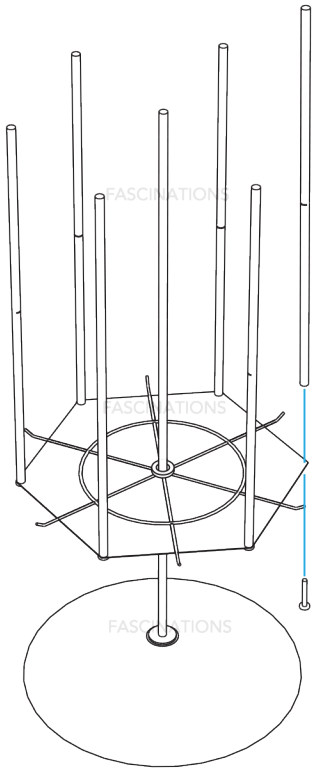
2 Slide one of the hook plates (Type B) down the center pole with the hooks pointed up



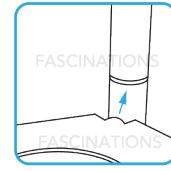
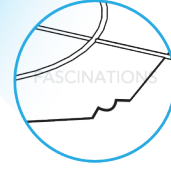
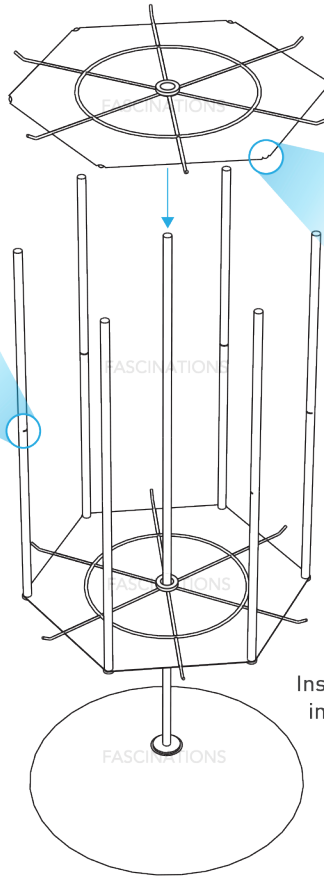
3 Using 6 small head screws, secure the 6 support rods onto the plate with the **horizontal notches** facing the center pole.

4 Slide the hook plate (Type A) down the center pole with the hooks up.

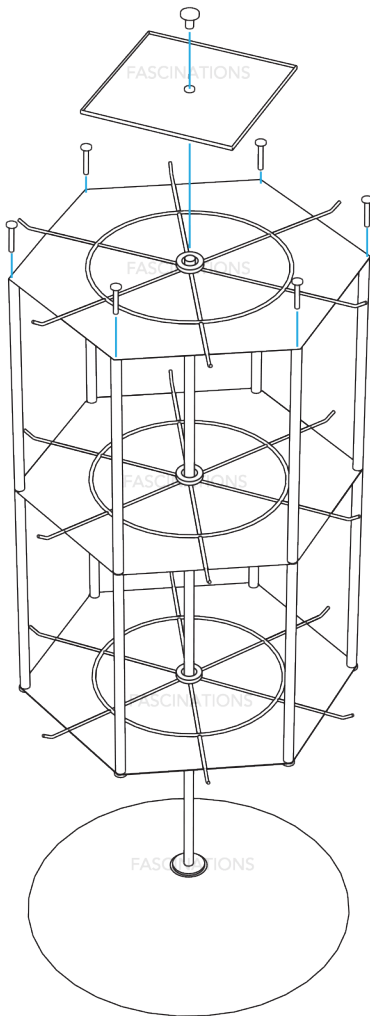
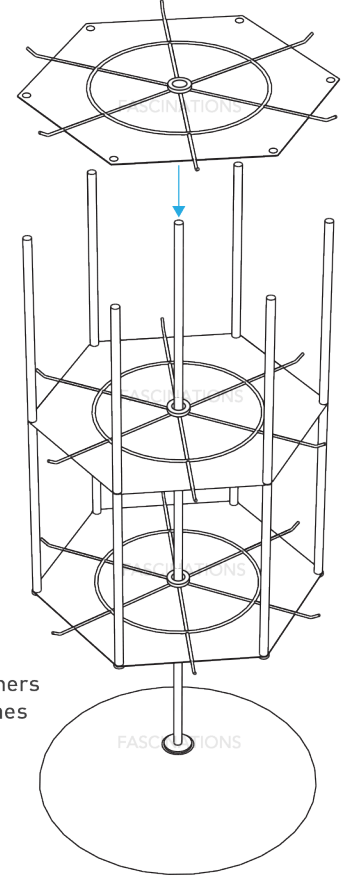
5 Slide the last hook plate (Type B) down the center pole with hooks up



Small head screw



Insert the hook plate corners into the horizontal notches on the pole



6

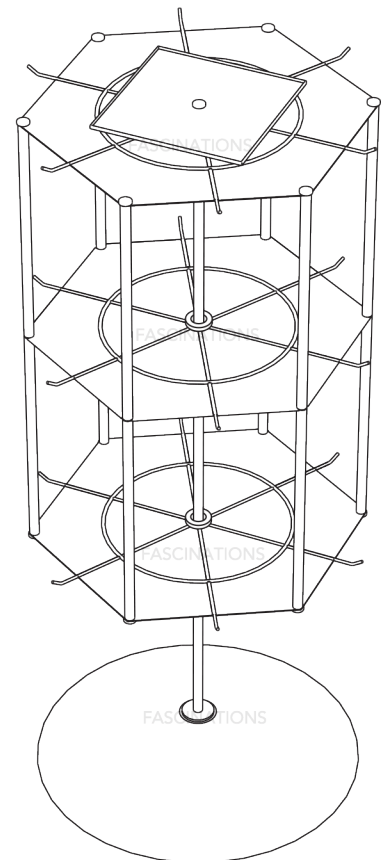
Use 6 small head screws to secure the hook plate (Type B) to the tops of the support rods. This will also secure the hook plate (Type A) into the notches of the support rods.

7

Place the square display tray on the top of the center pole and secure using a large head screw.

FINISHED!

Display diameter: **9.6"** (24cm)
Height: **22.8"** (58cm)



If you have any problems assembling this display or there are missing parts, please give us a call, so we can help: **206-870-3000** (8-4 PST). You can also email us at: support@fascinations.com

© Fascinations, Inc. All rights reserved.

Item #MMDWRS



MADE IN VIETNAM