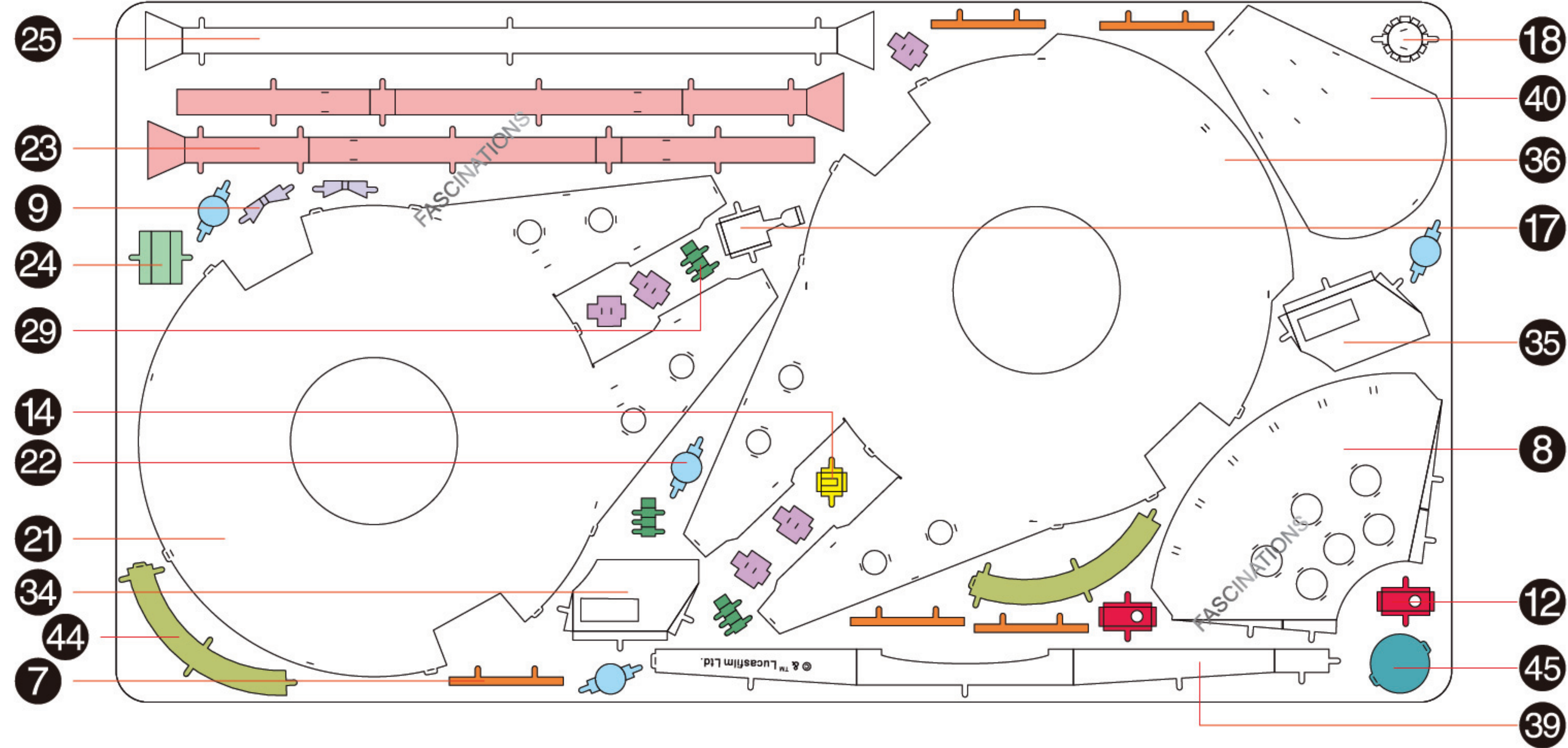
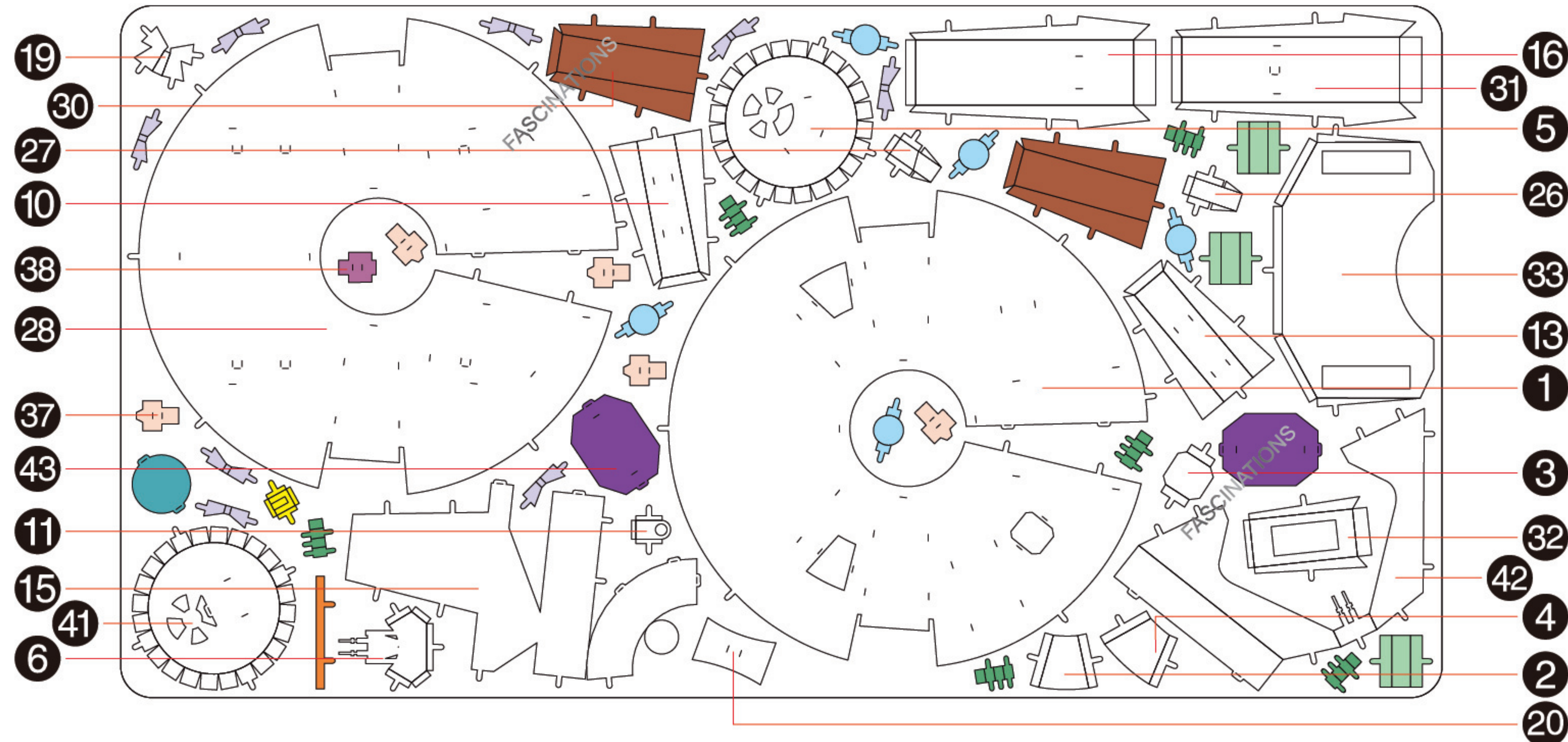


METAL SHEET 1

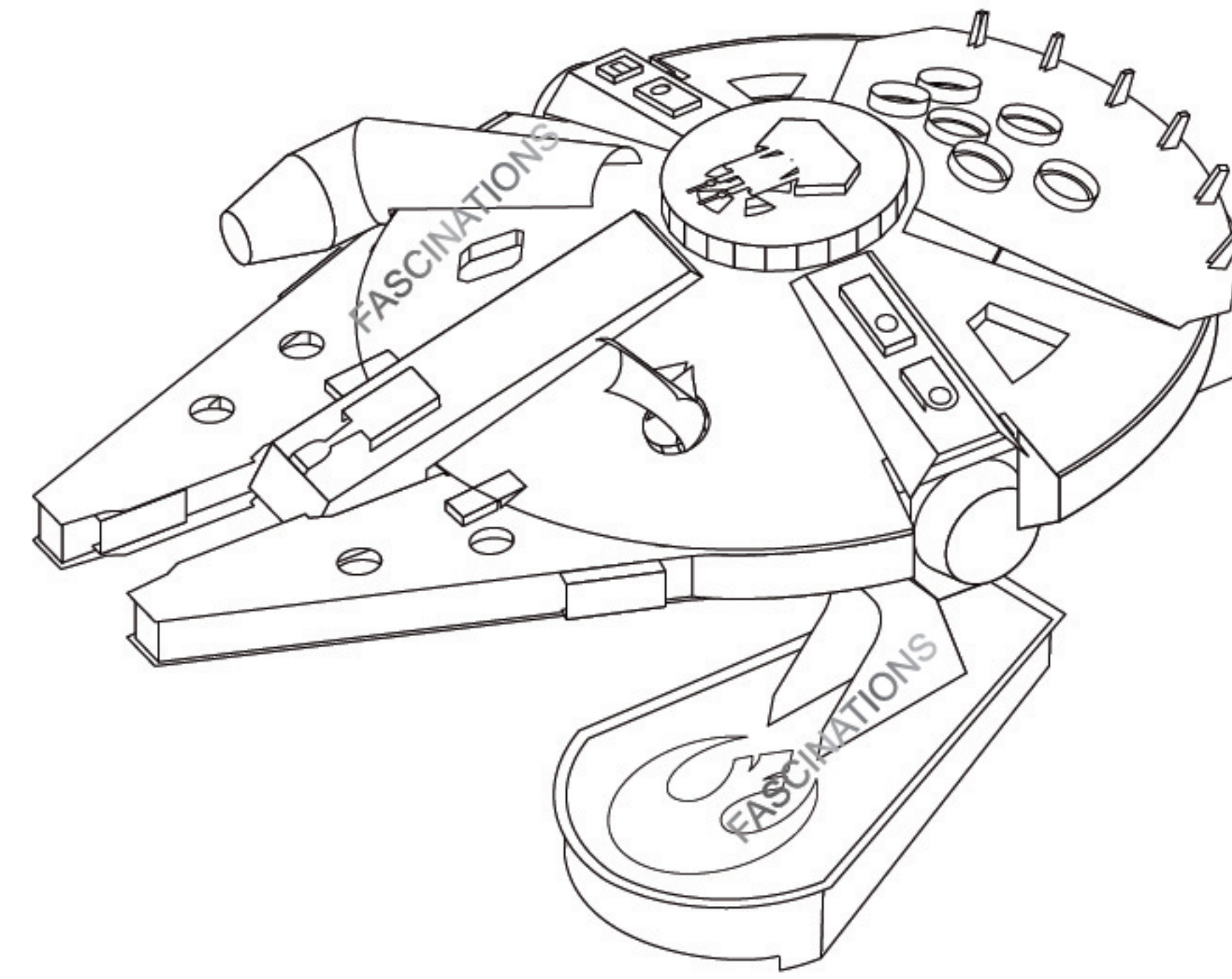


METAL SHEET 2



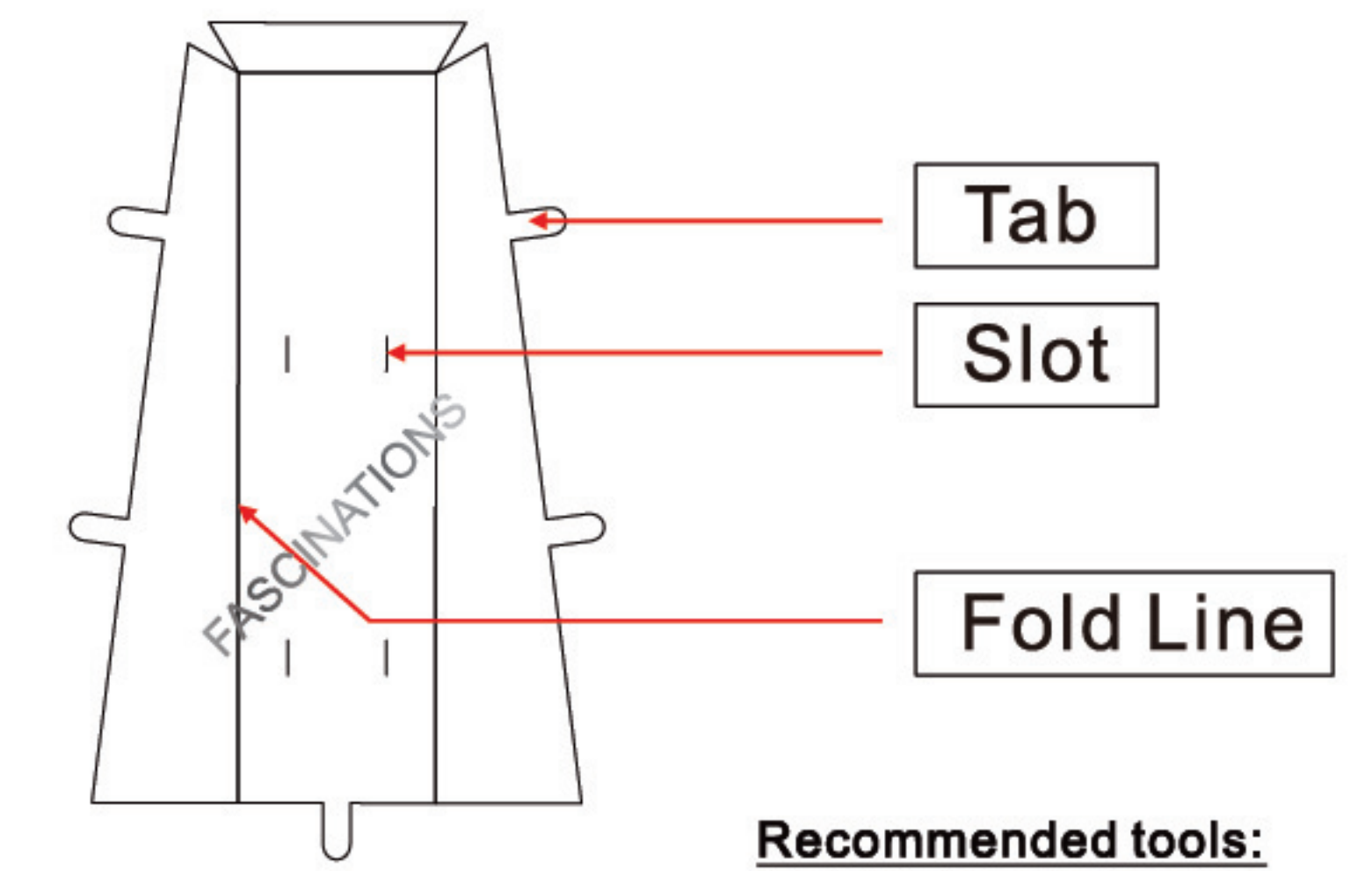
In order to avoid possible injury from sharp edges, please carefully discard the metal sheet after parts have been removed.

ICX200B



It is highly recommended that you visit www.metalearth.com/360/icx200b to see the completed model before assembling your own

TO CREATE THE BEST CONNECTIONS



Legends:

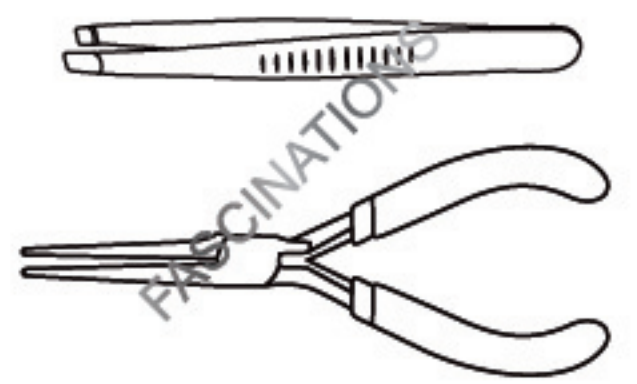
- Engraved side
- Non-engraved side
- Attention point
- Insert tab and bend 90 degrees
- Insert tab and twist 90 degrees

Recommended tools:

-Wire cutters: helpful for taking parts from the metal sheets.



-Tweezers or needle nose pliers: helpful for folding parts, bending and twisting tabs.

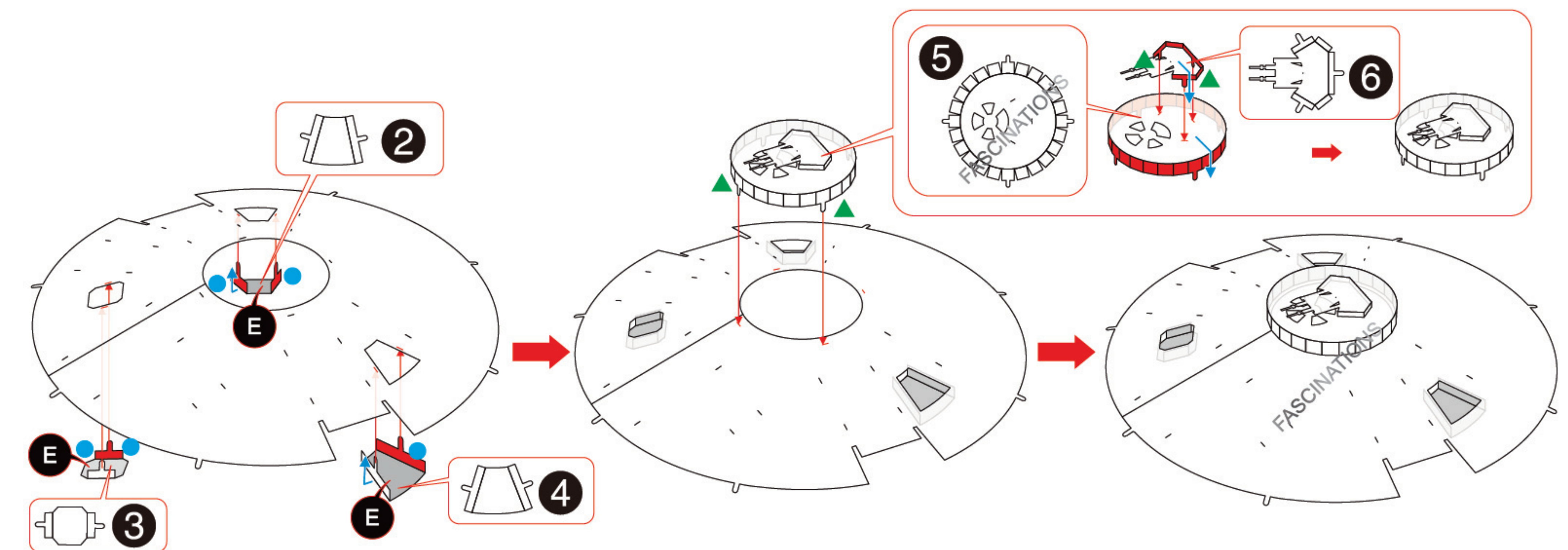
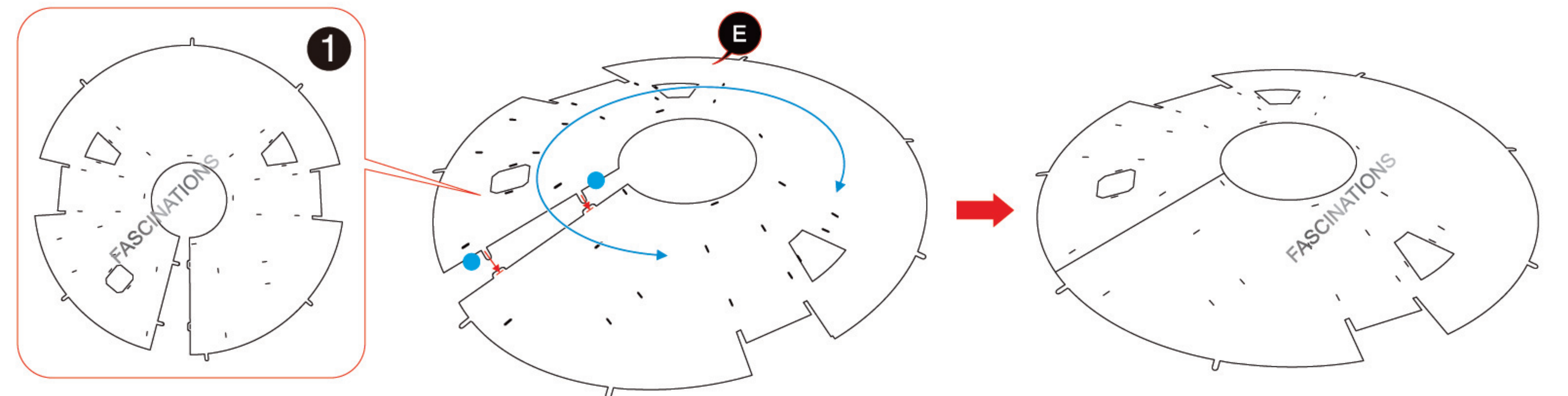


Assembly tip:

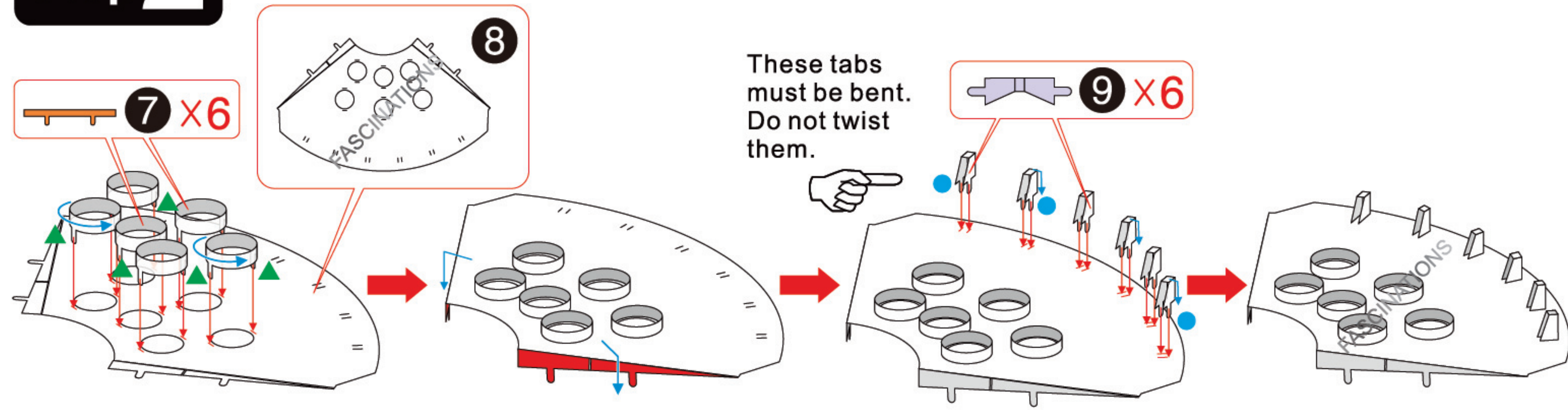
If needed, slightly twist tabs to hold parts together then untwist and bend them down for a nice finish

ASSEMBLY STEPS

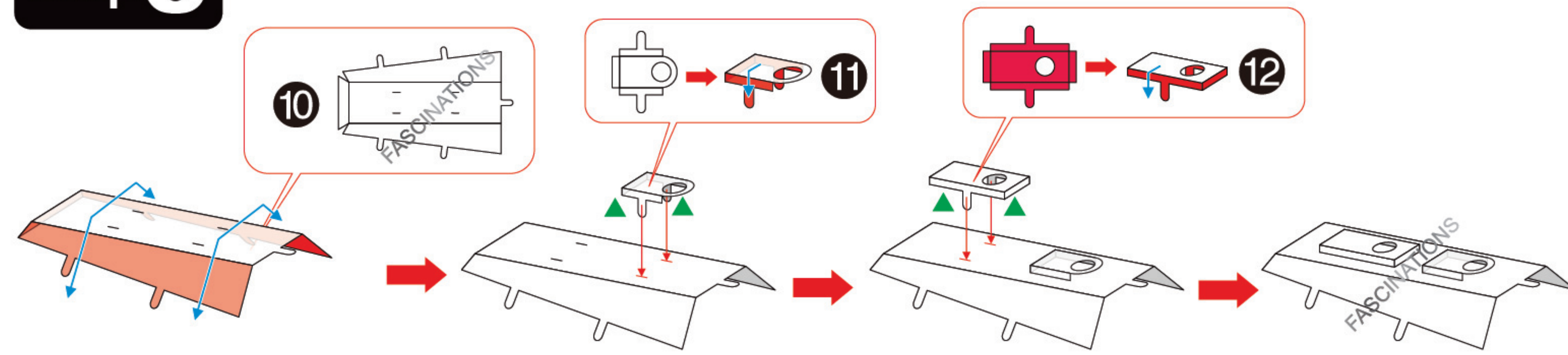
Step 1



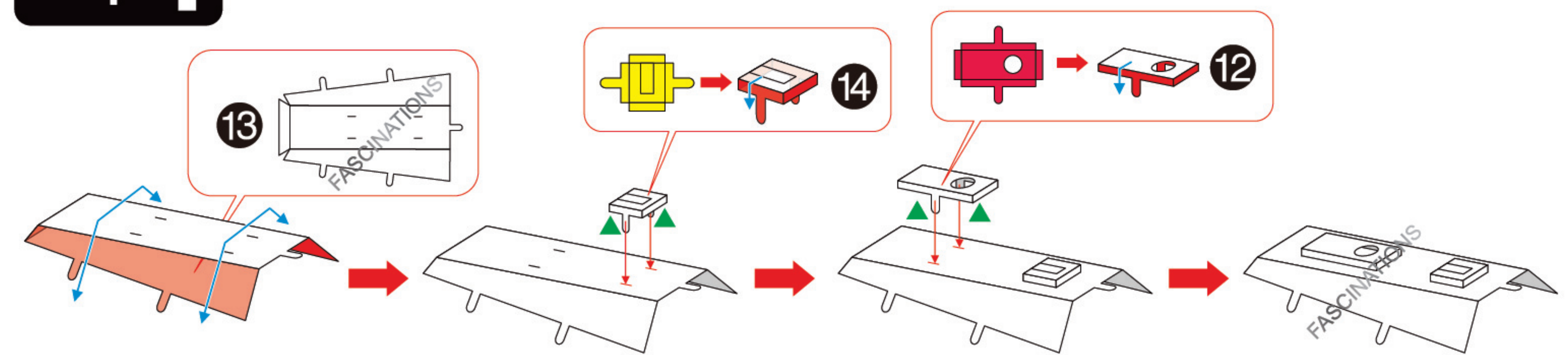
Step 2



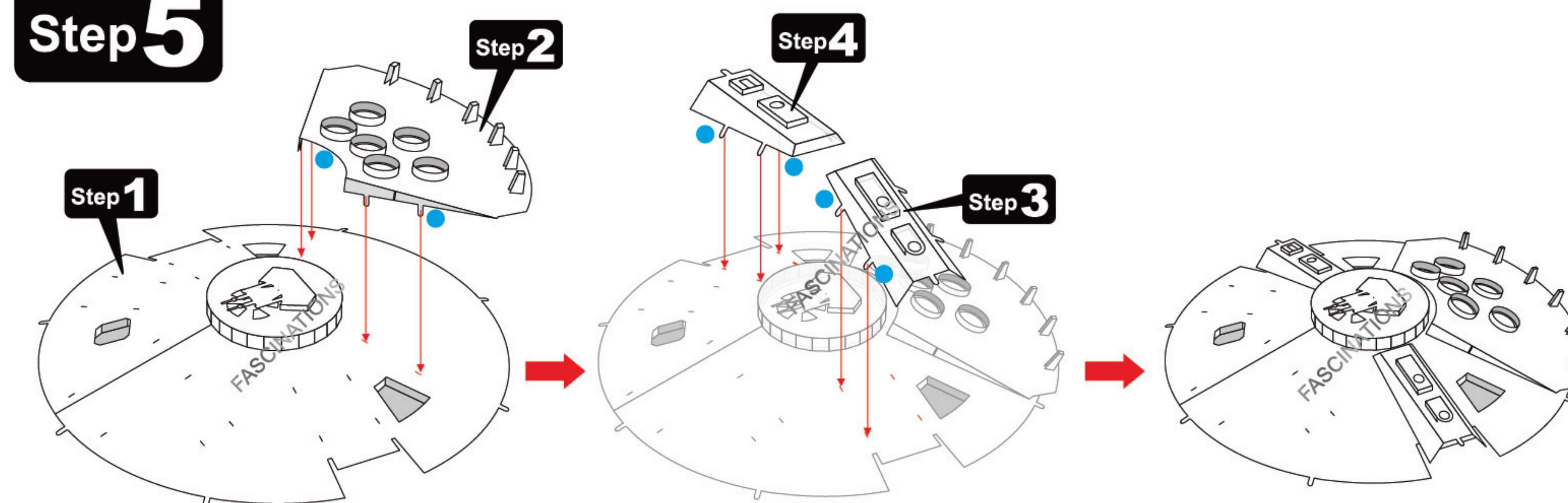
Step 3



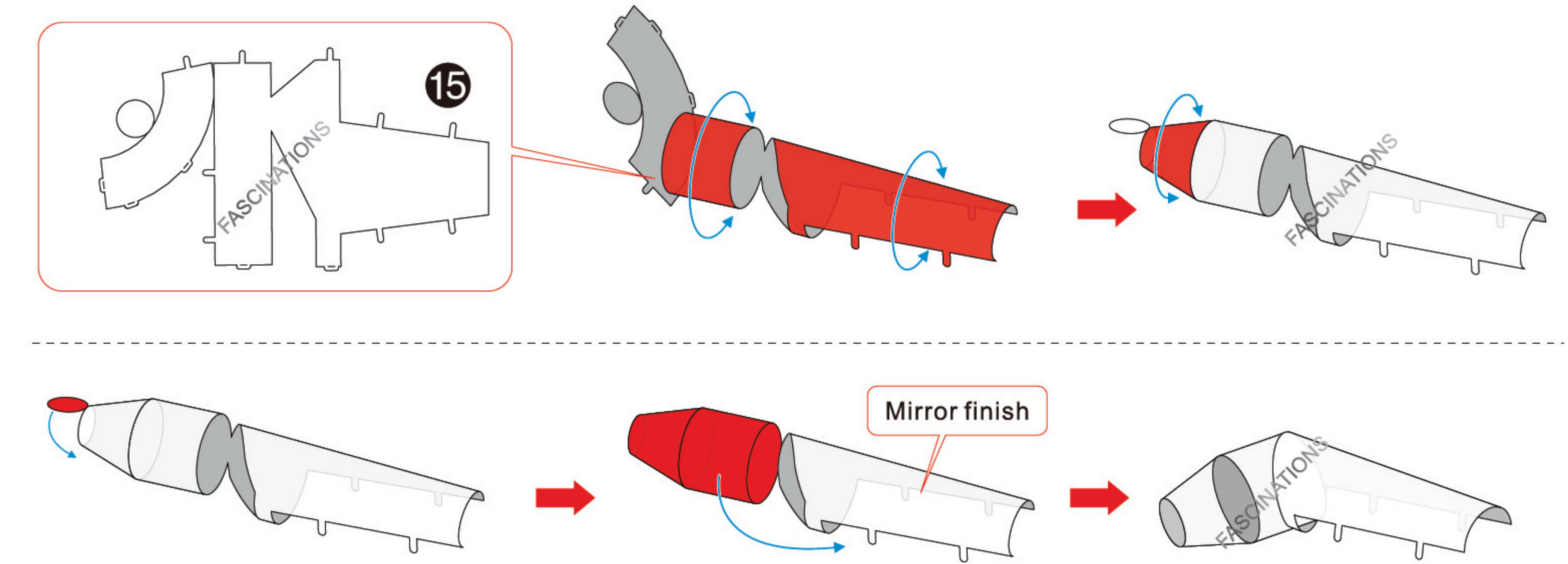
Step 4



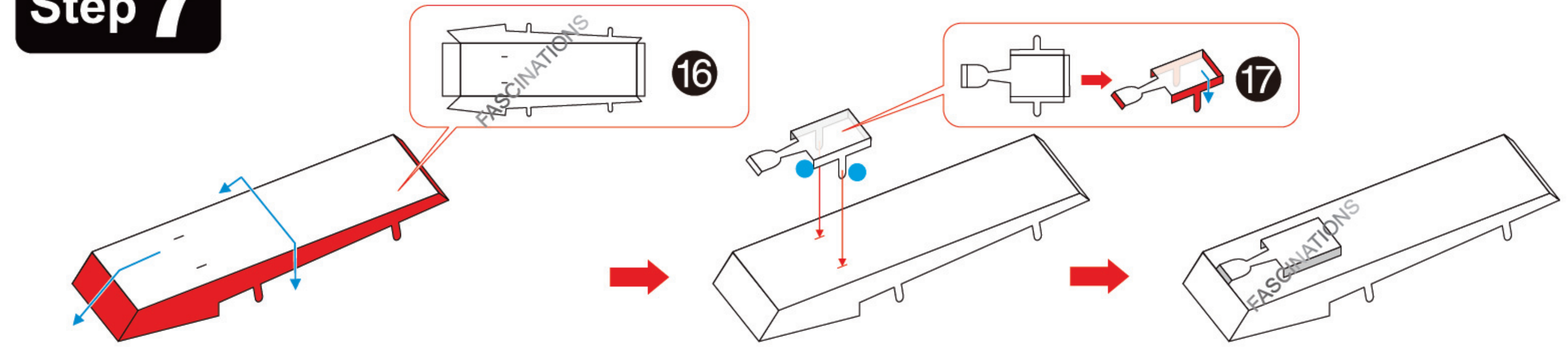
Step 5



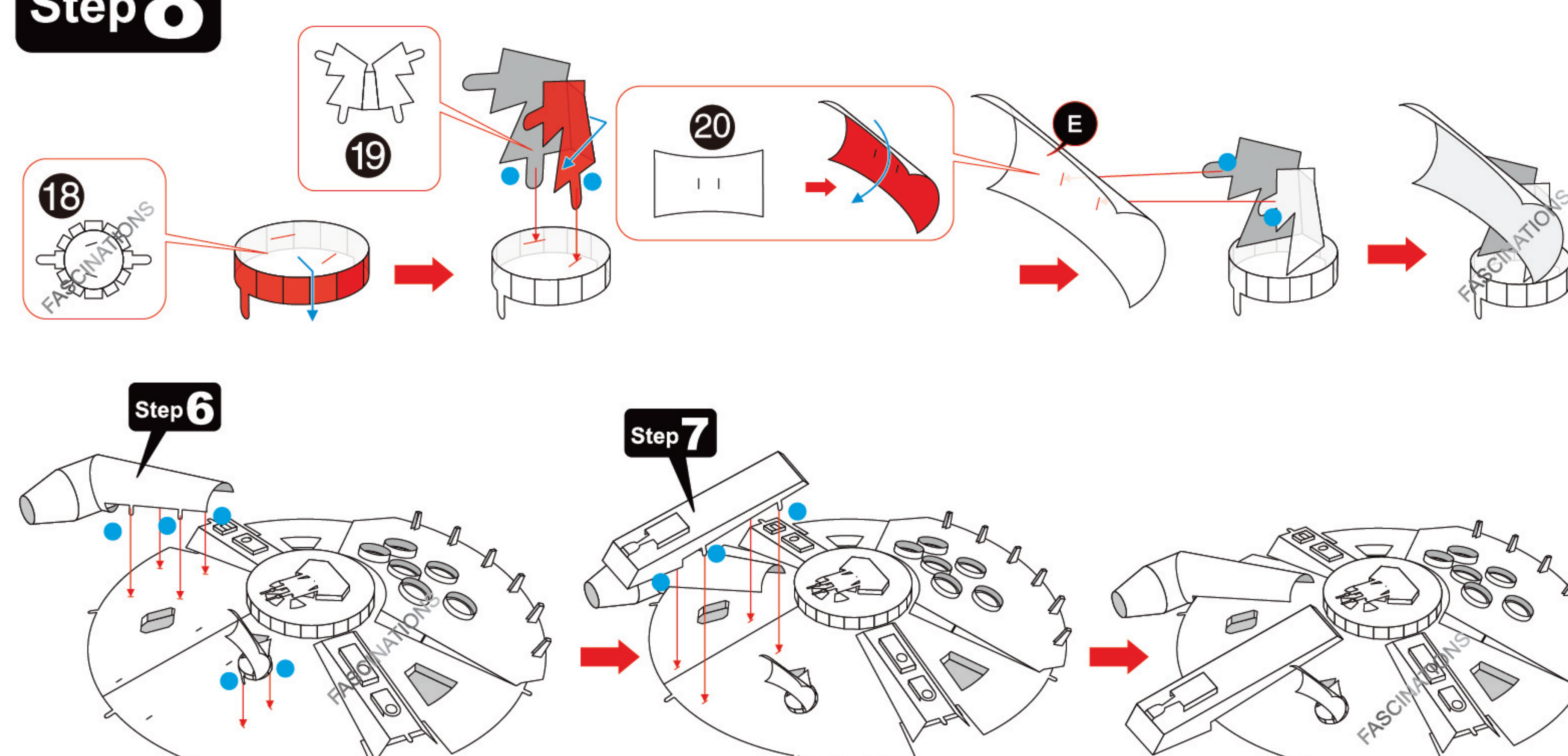
Step 6



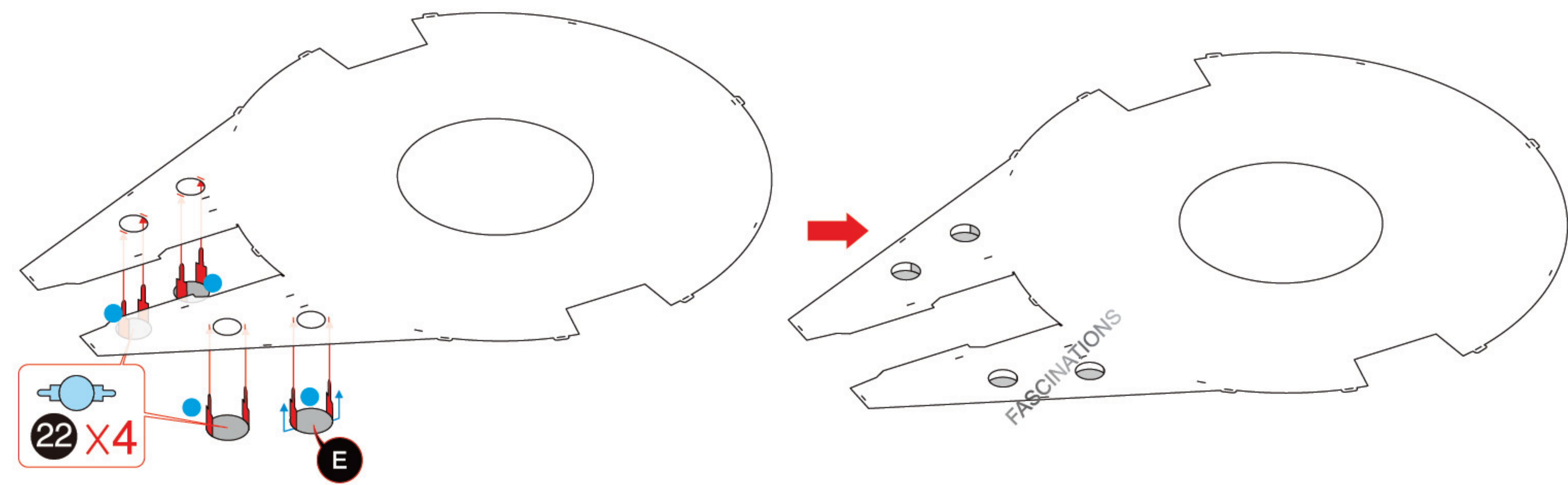
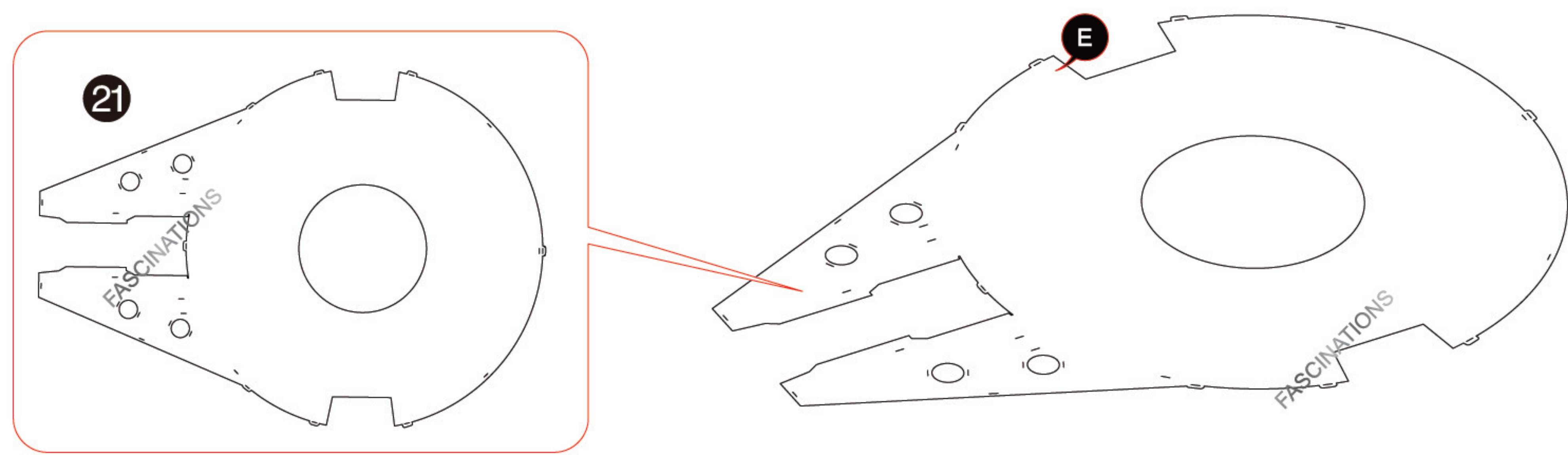
Step 7



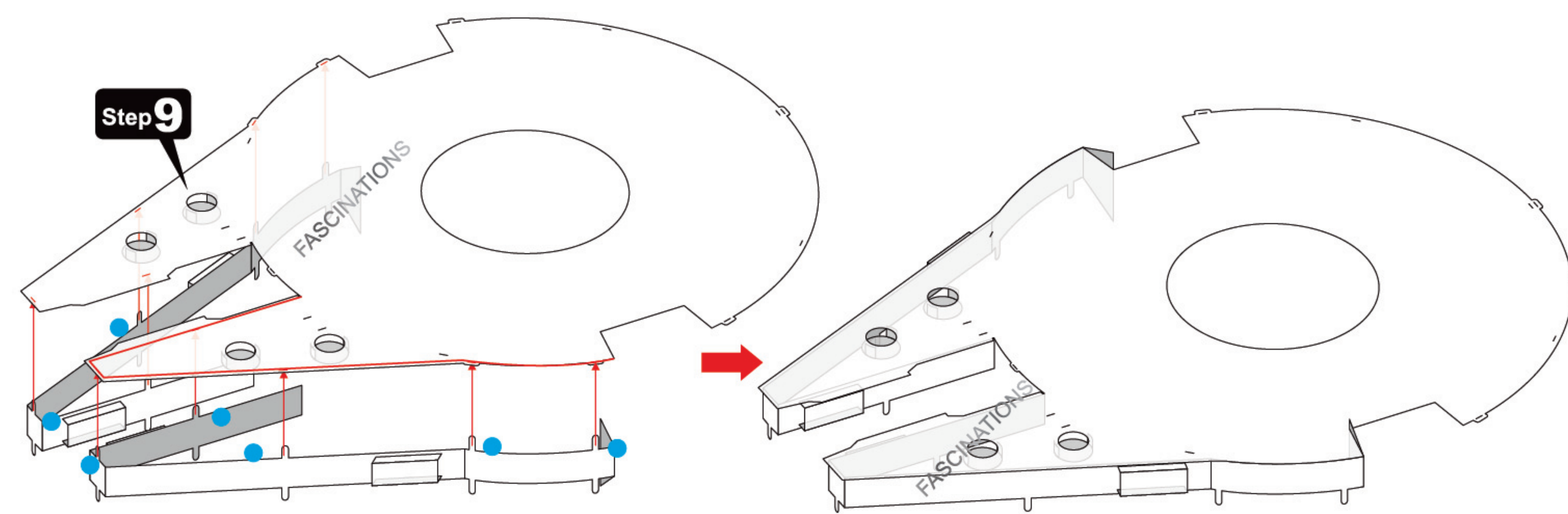
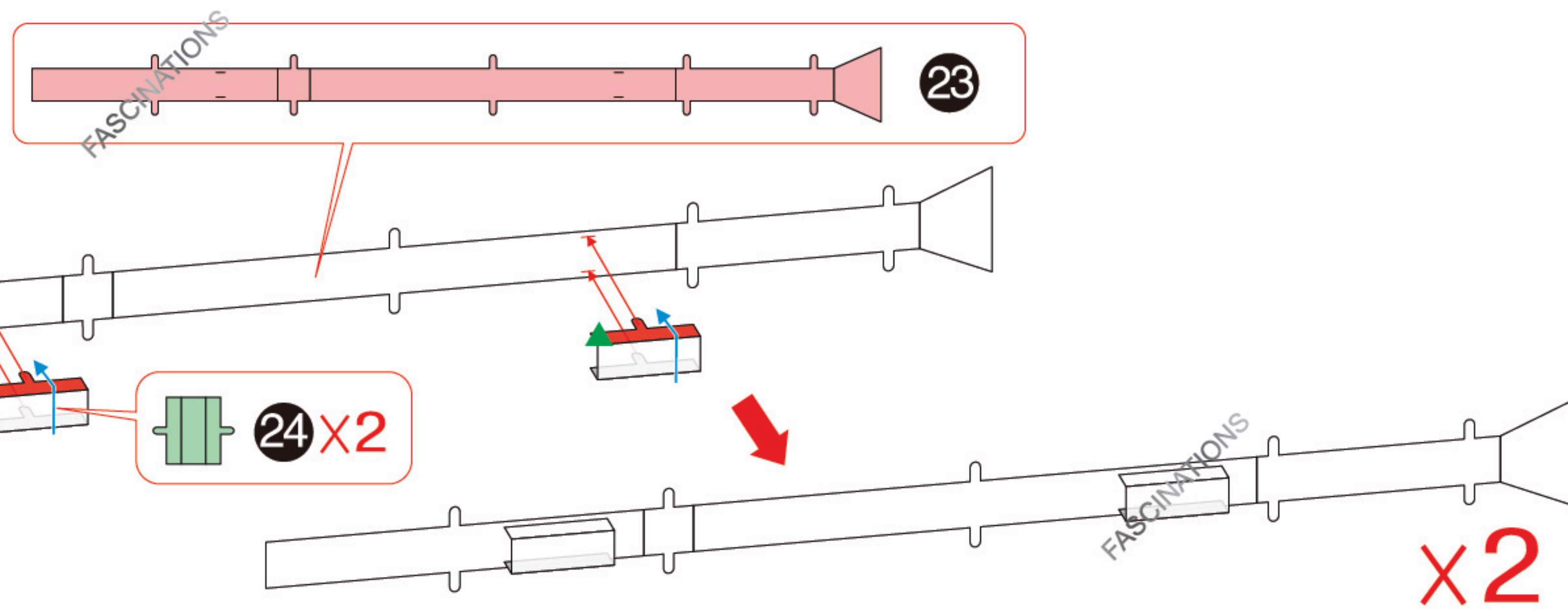
Step 8



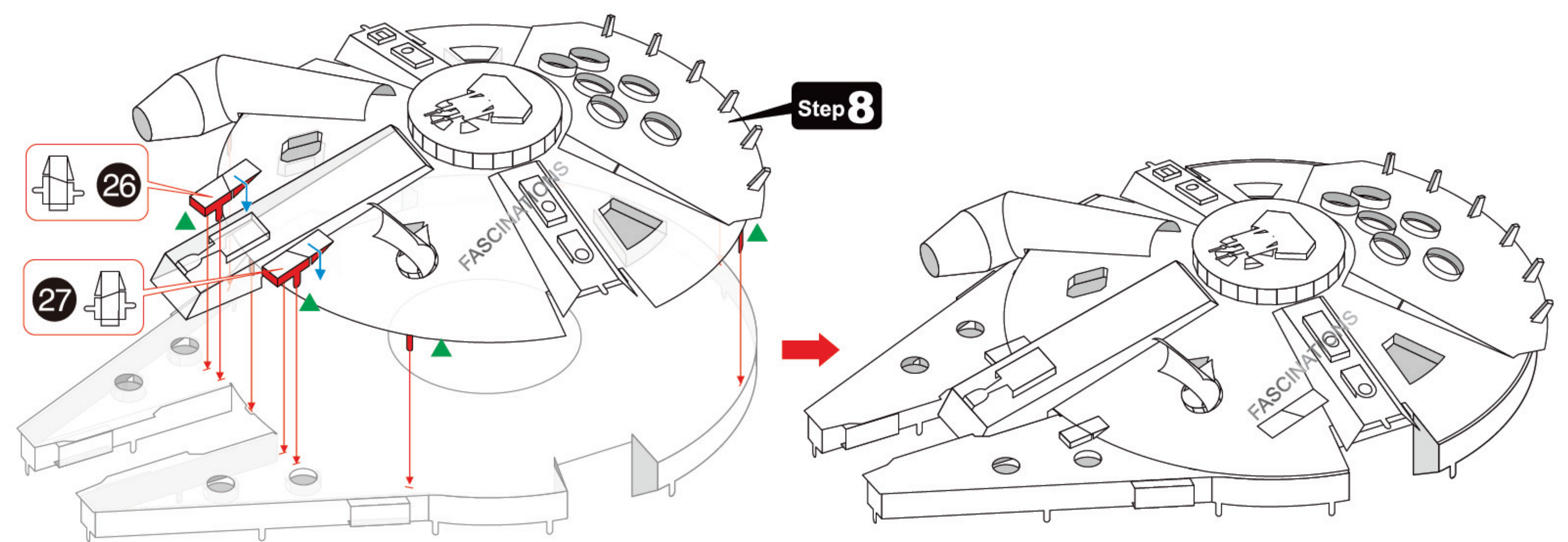
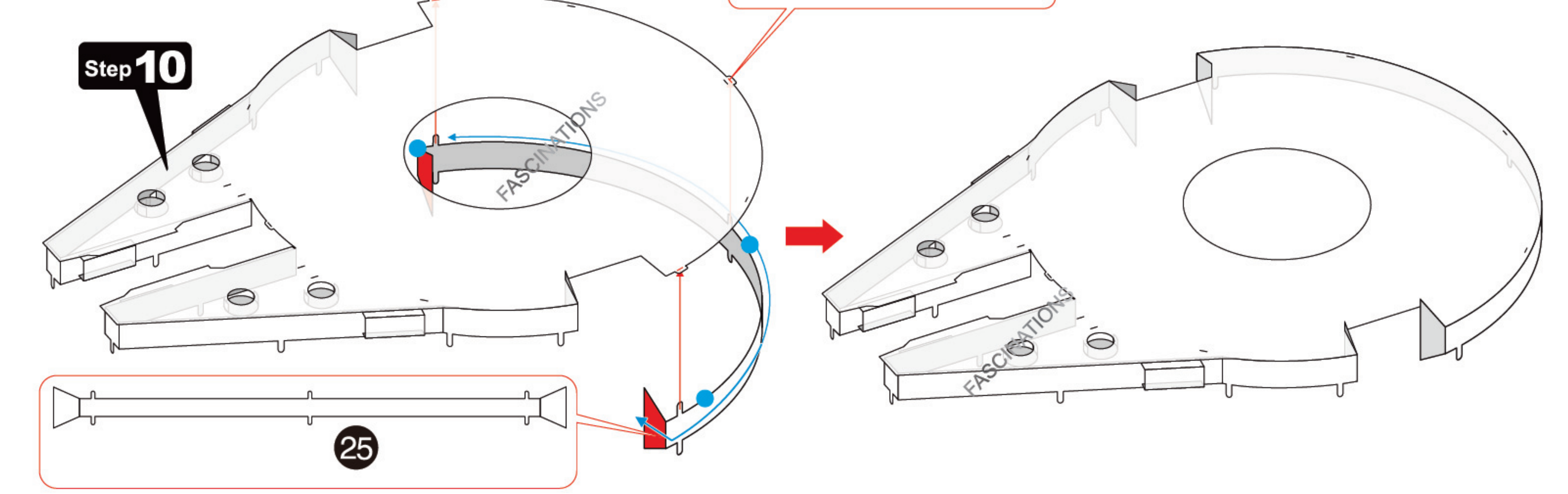
Step 9



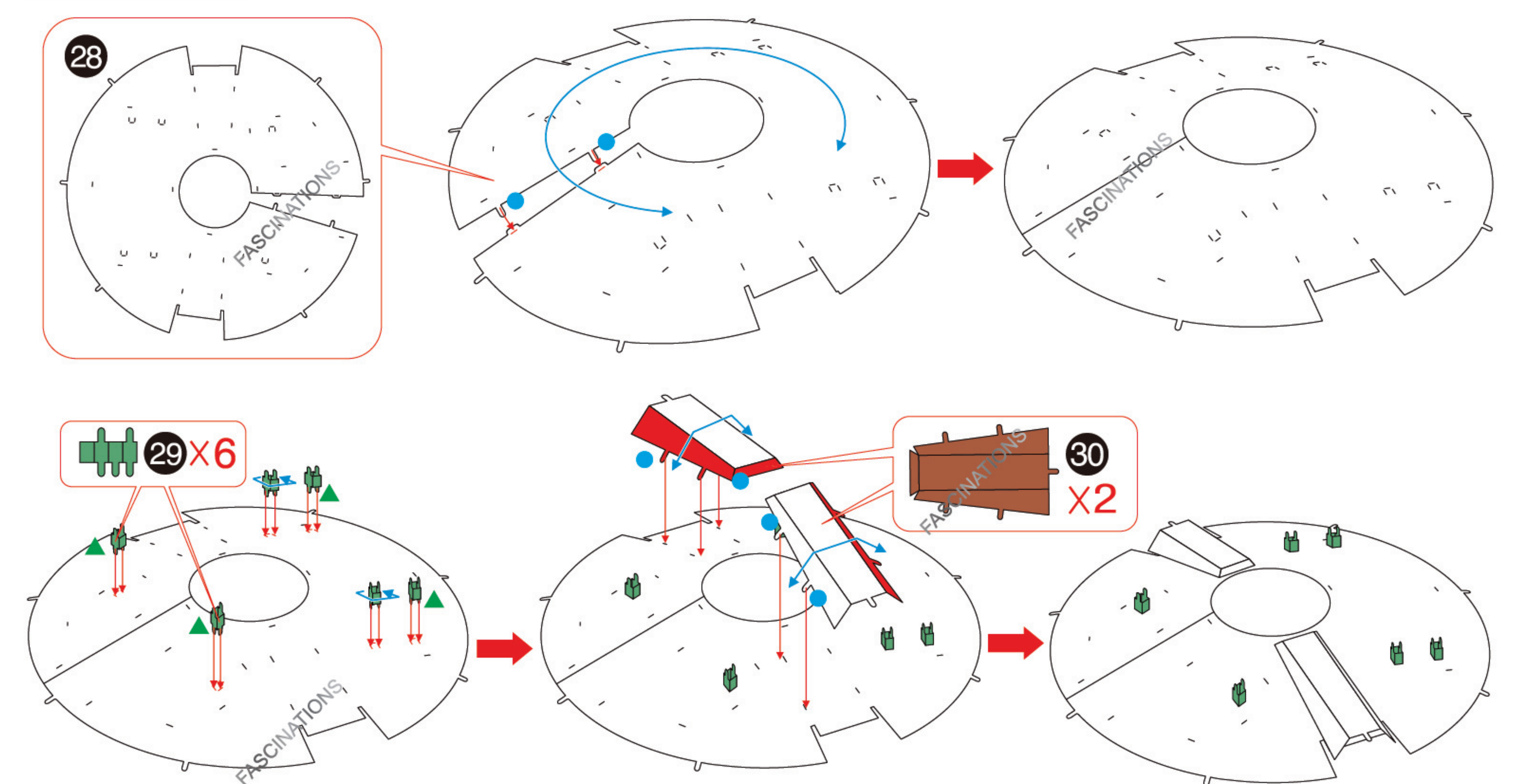
Step 10



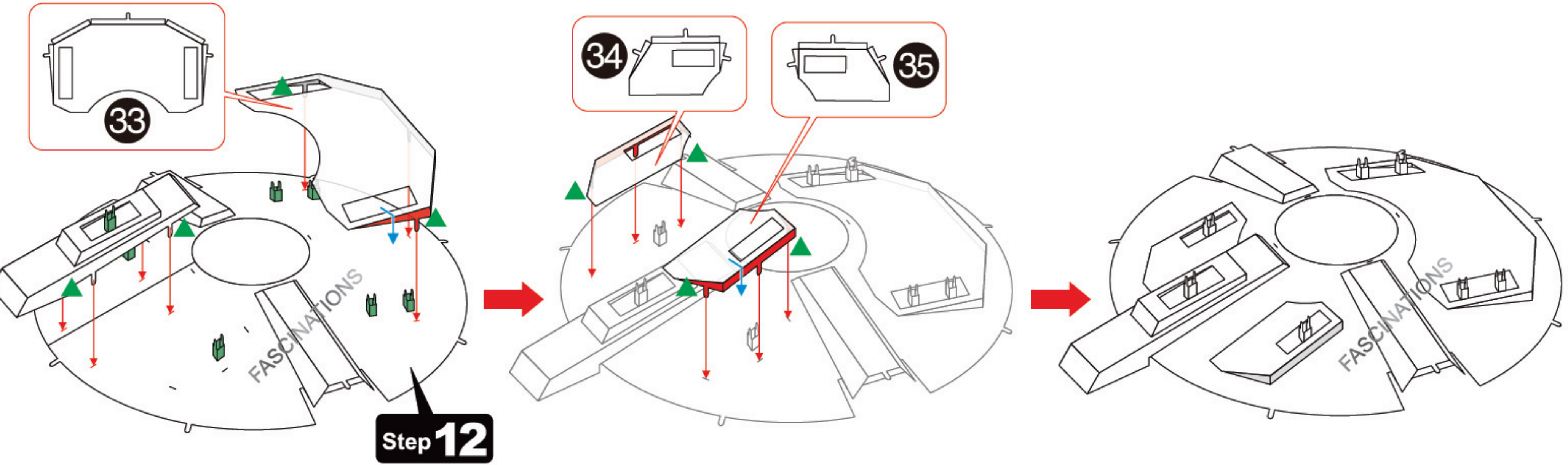
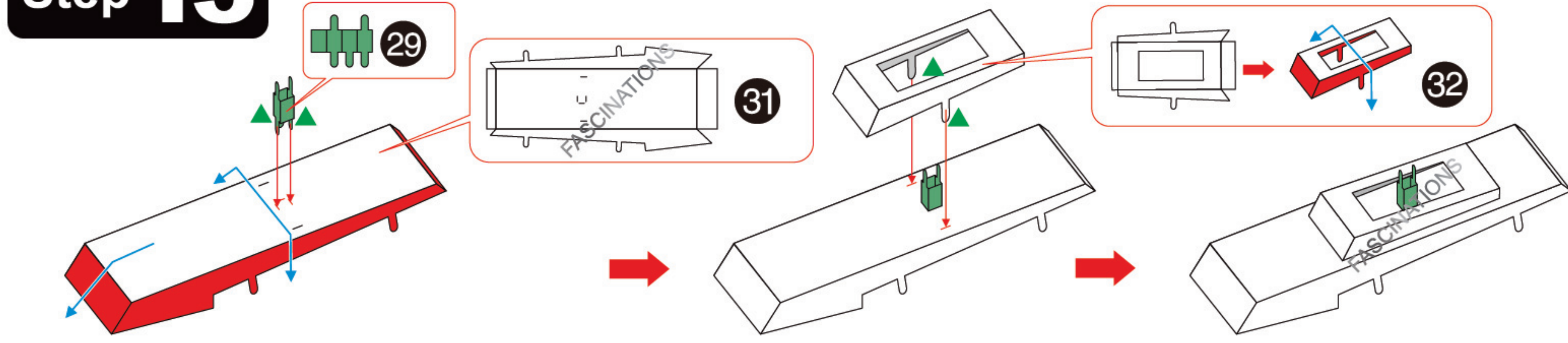
Step 11



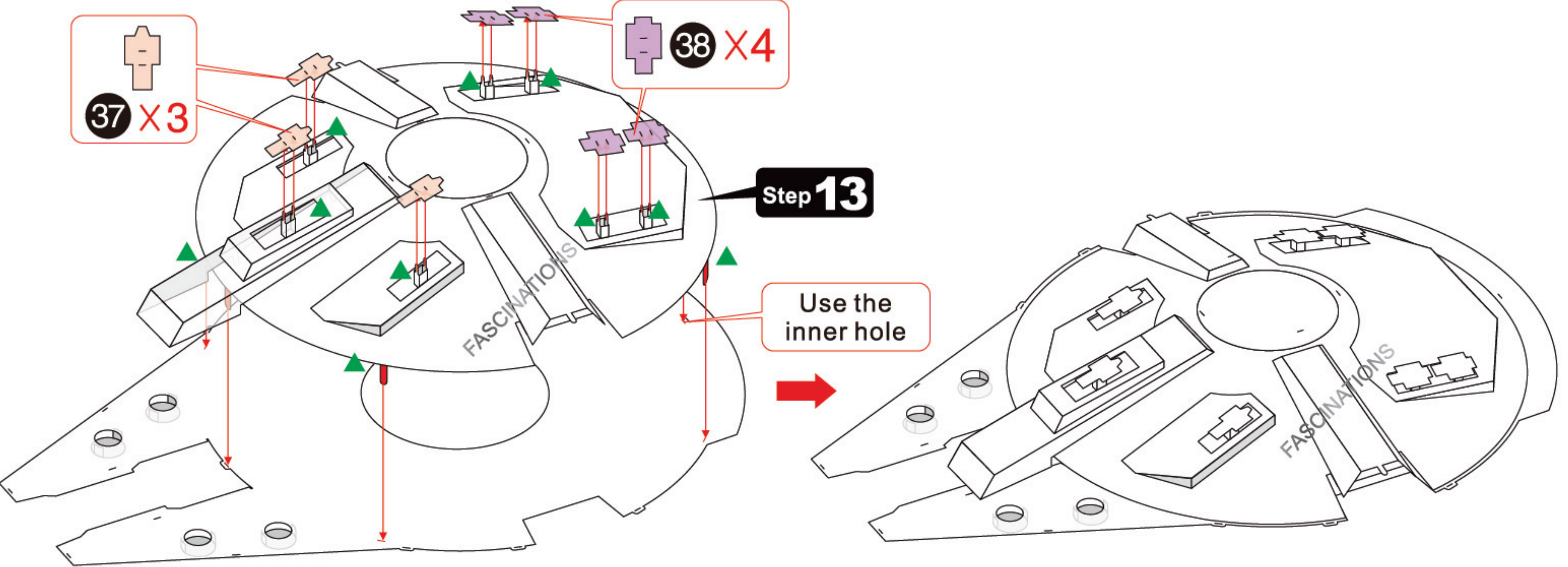
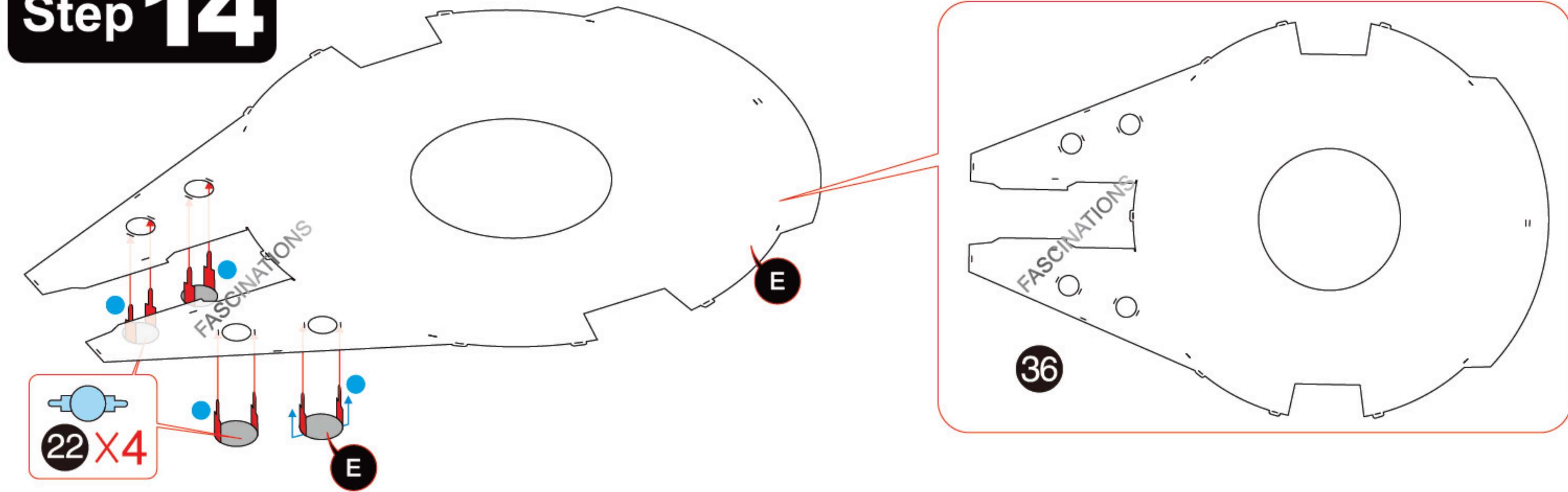
Step 12



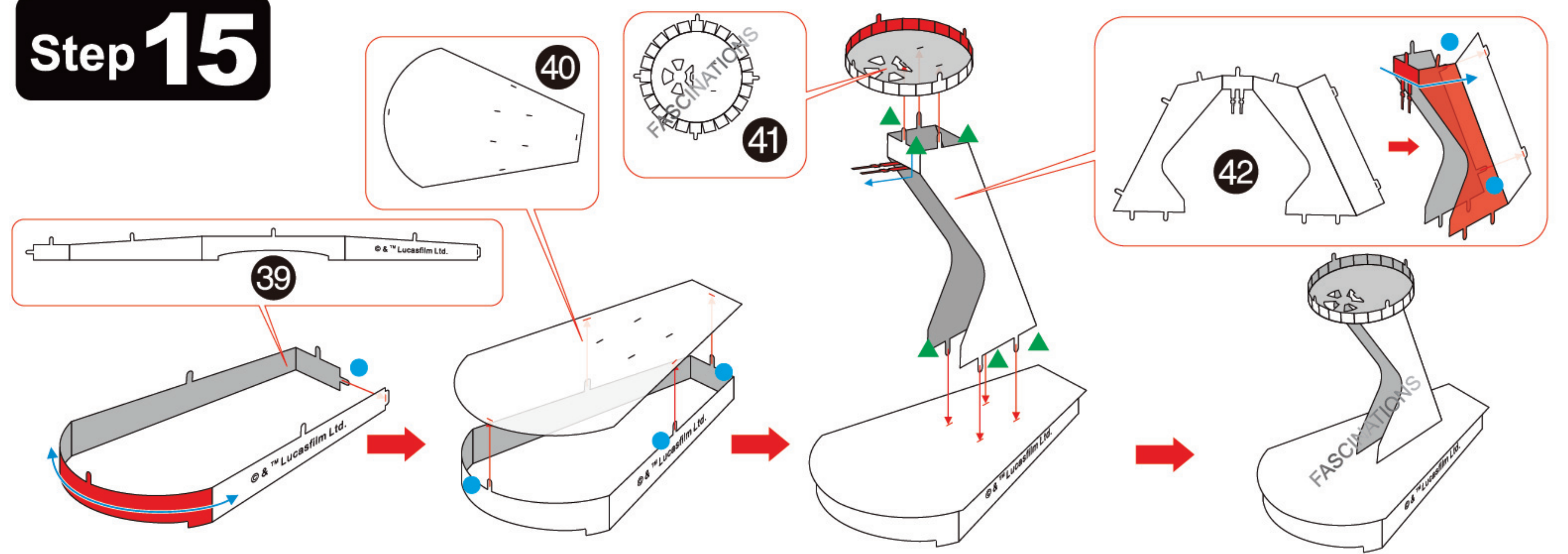
Step 13



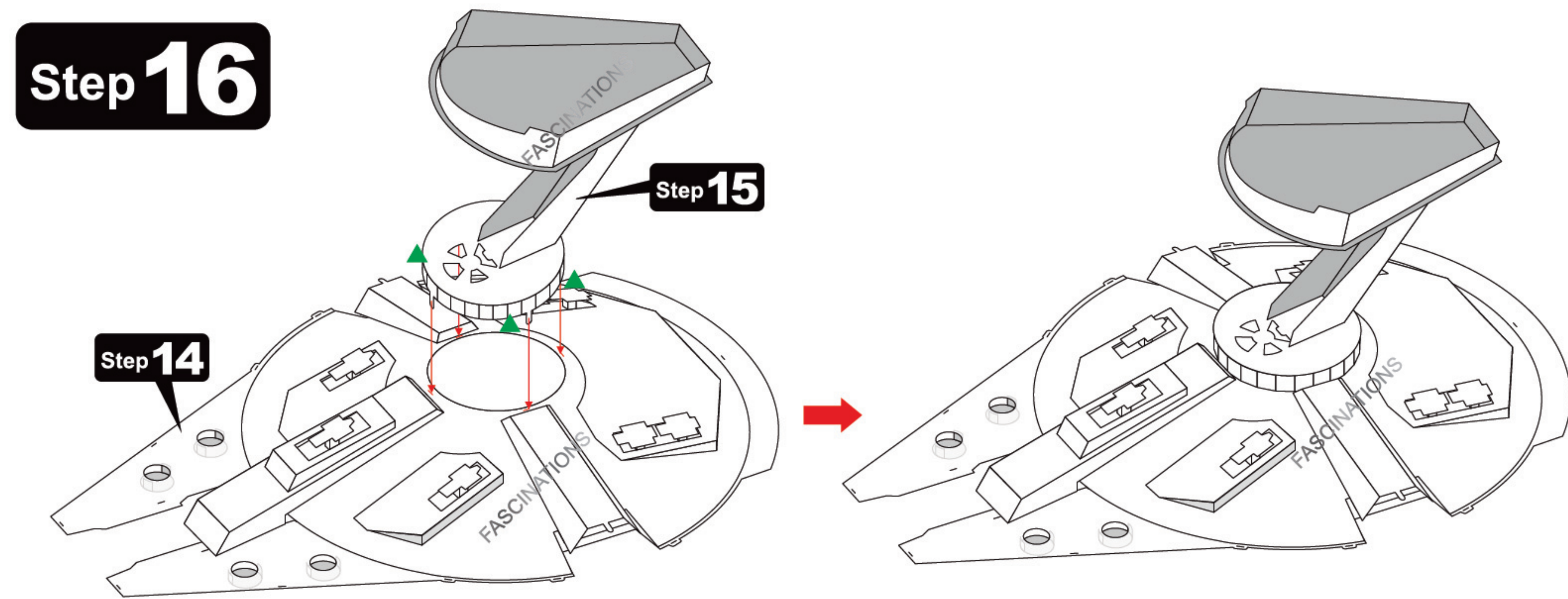
Step 14



Step 15



Step 16



Step 17

