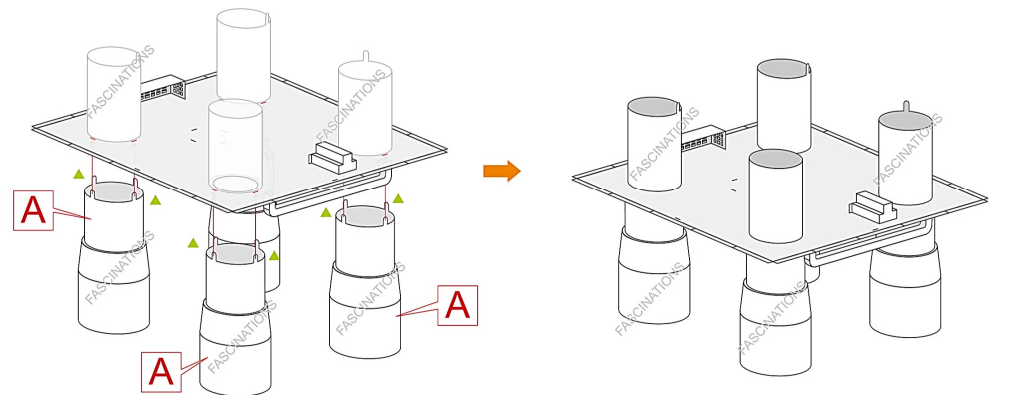
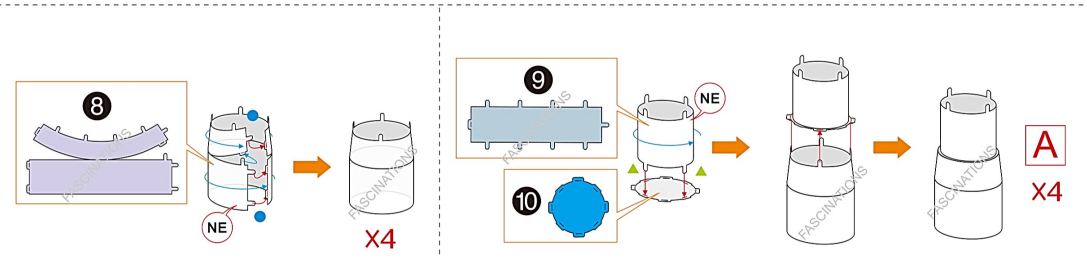
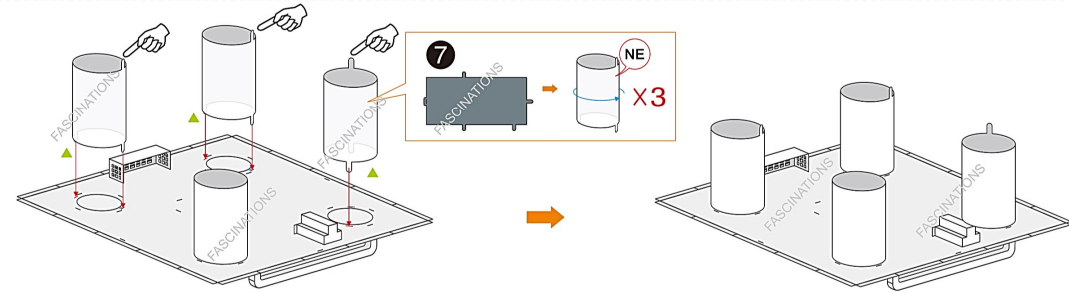
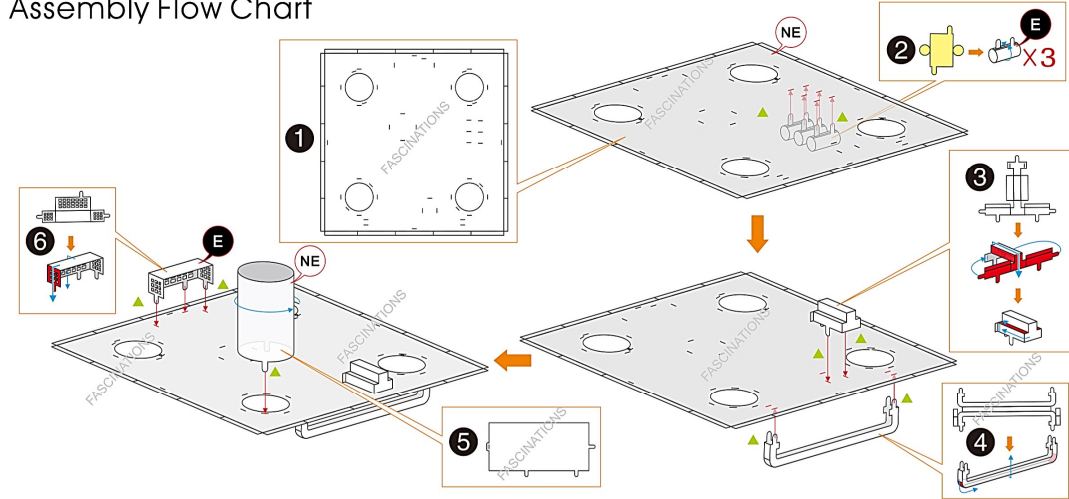


Offshore Oil Rig  
Item No. MMG105



It is highly recommended that you visit [www.metalearth.com/360/mmg105](http://www.metalearth.com/360/mmg105) to see the completed model before assembling your own

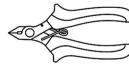


**Legends:**

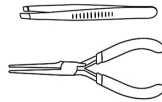
- Engraved side
- Non-engraved side
- Attention point
- Insert tab and bend 90 degrees
- Insert tab and twist 90 degrees

**Recommended tools:**

-Wire cutters: helpful for taking parts from the metal sheets.

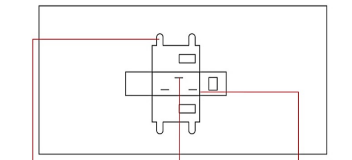


-Tweezers or needle nose pliers: helpful for folding parts, bending and twisting tabs.



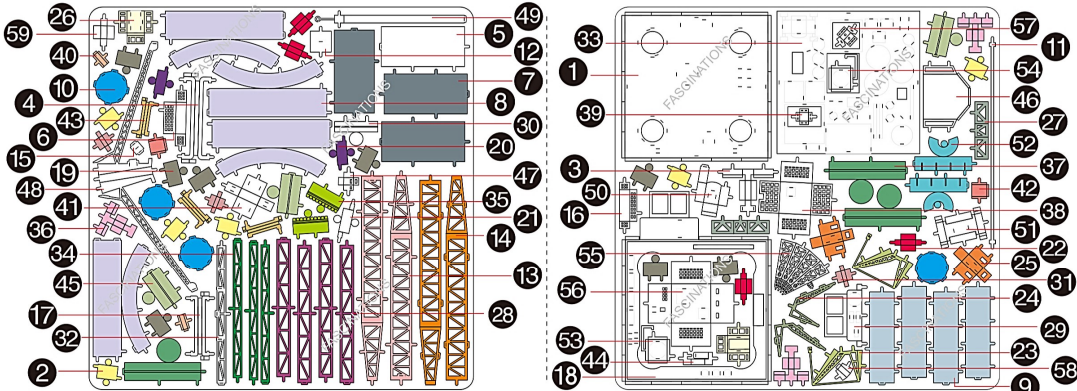
**Assembly tip:**

If needed, slightly twist tabs to hold parts together then untwist and bend them down for a nice finish

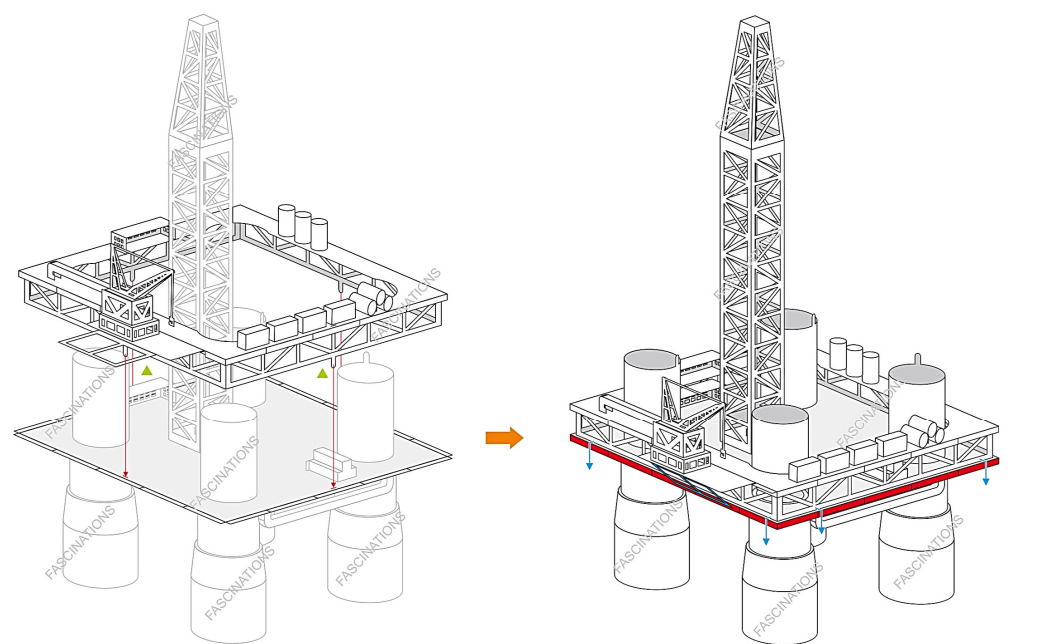
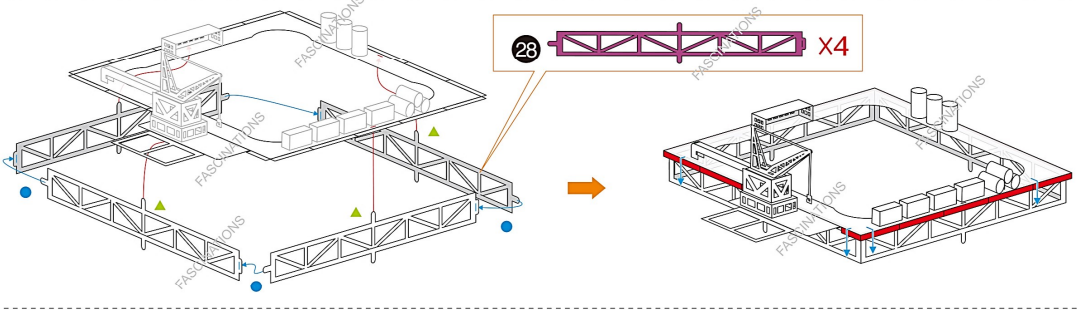
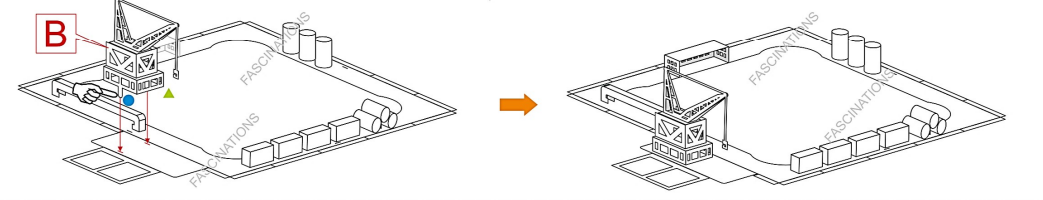
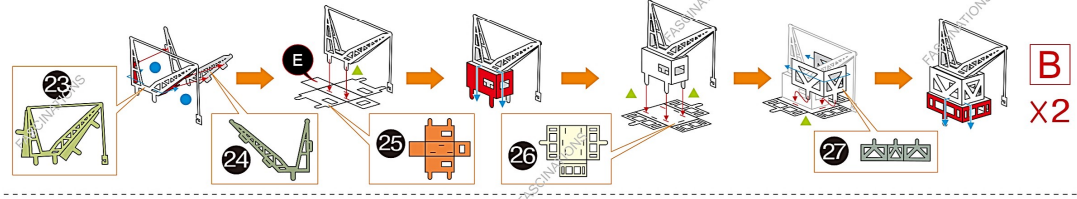
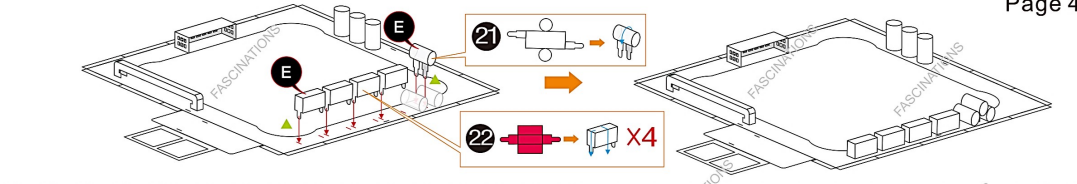
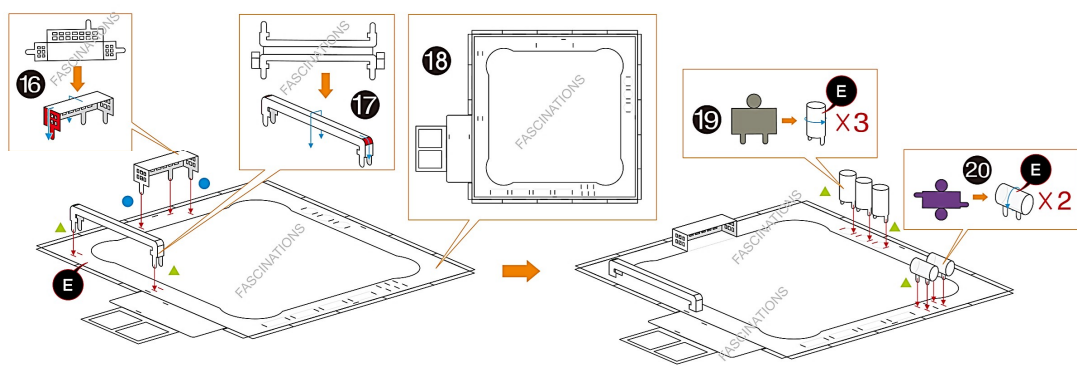
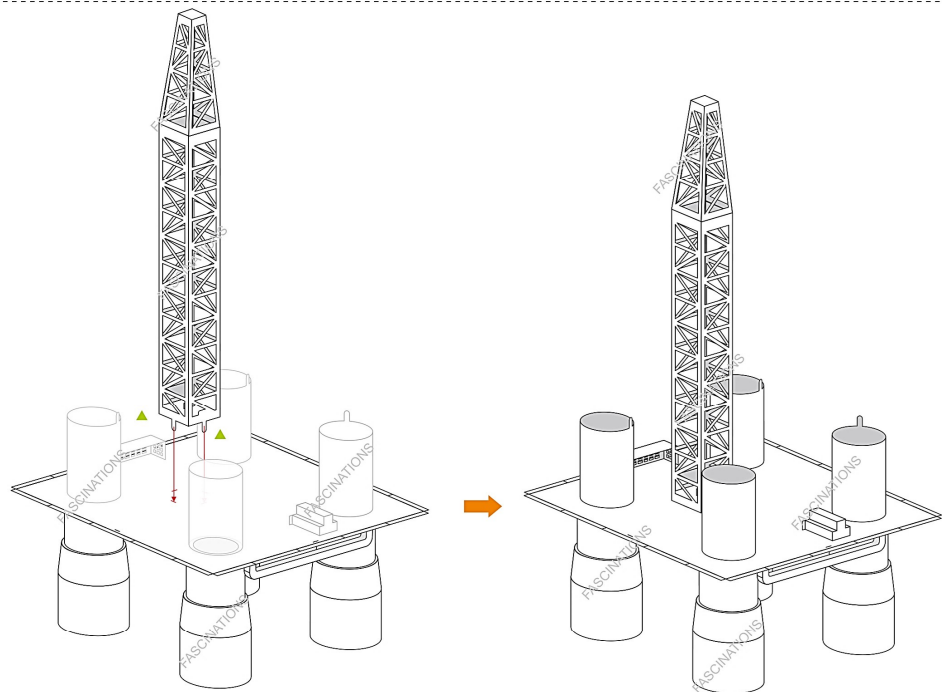
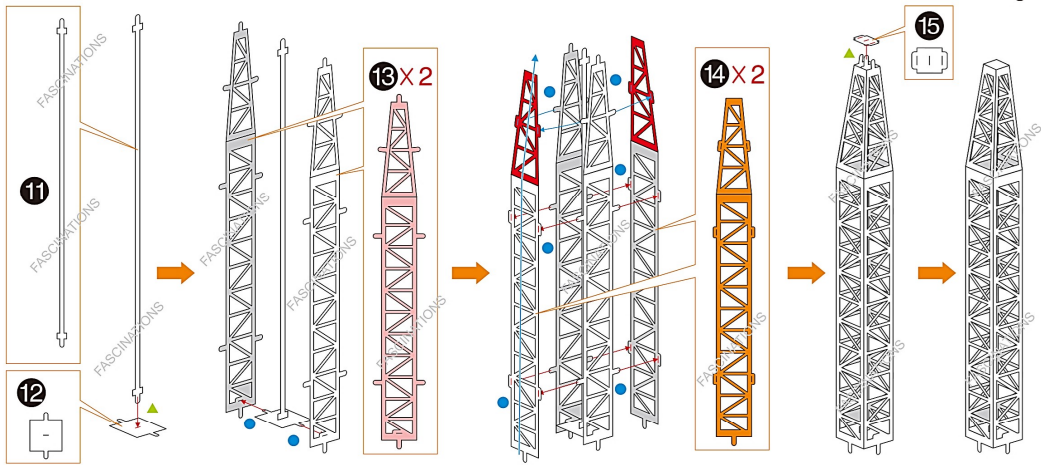


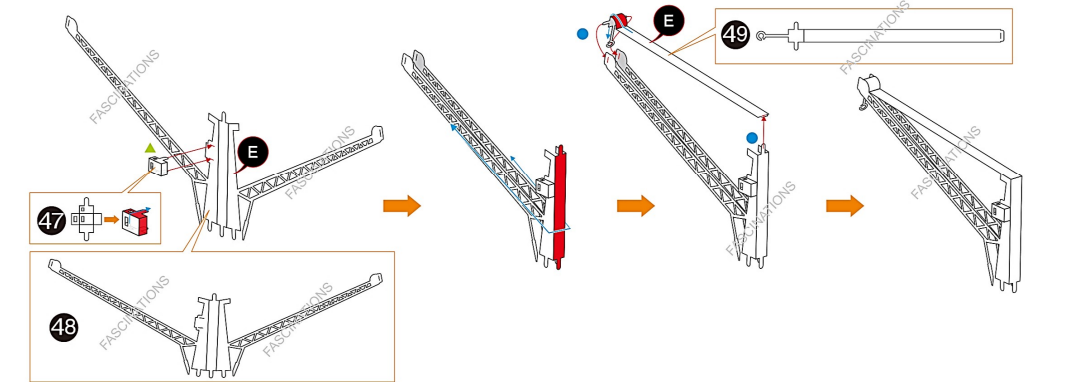
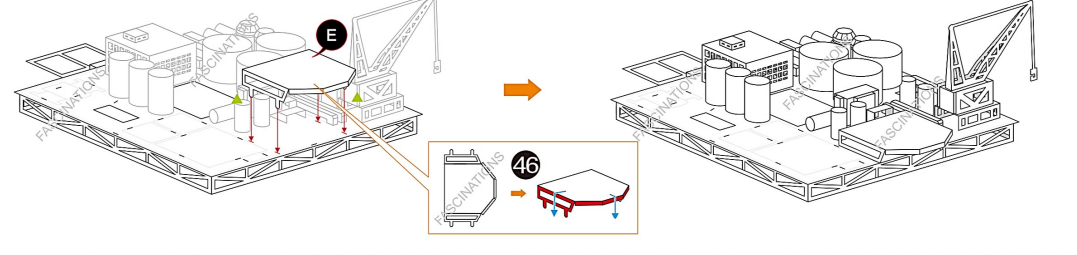
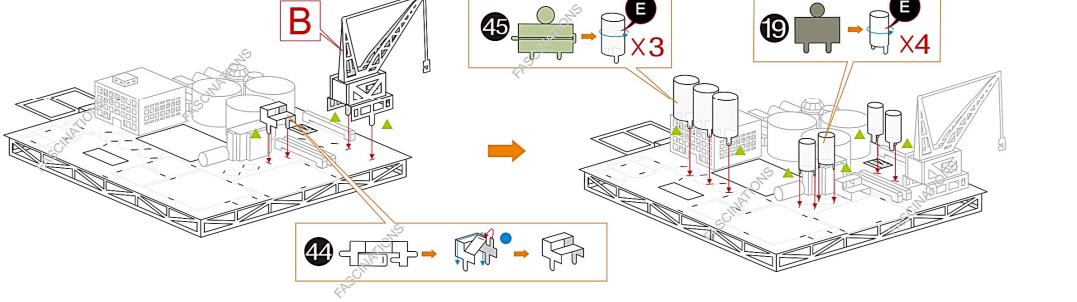
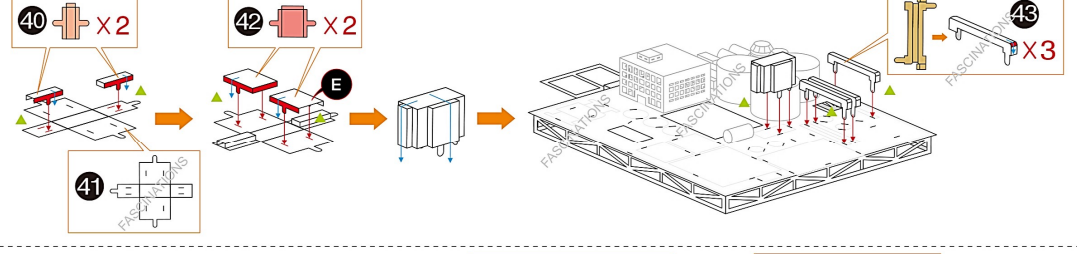
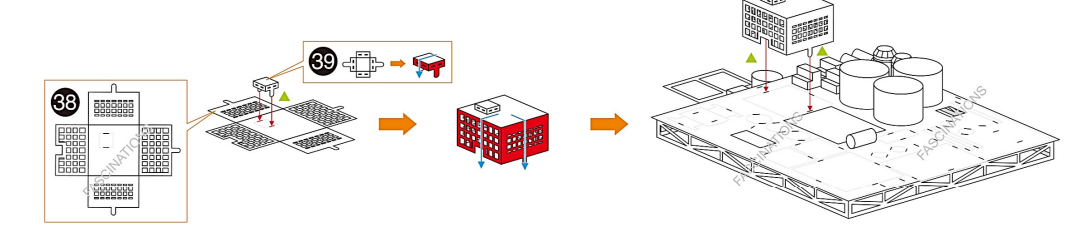
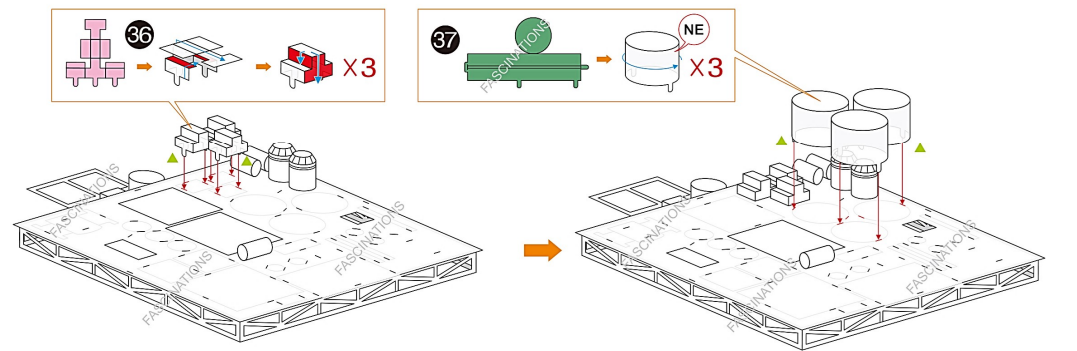
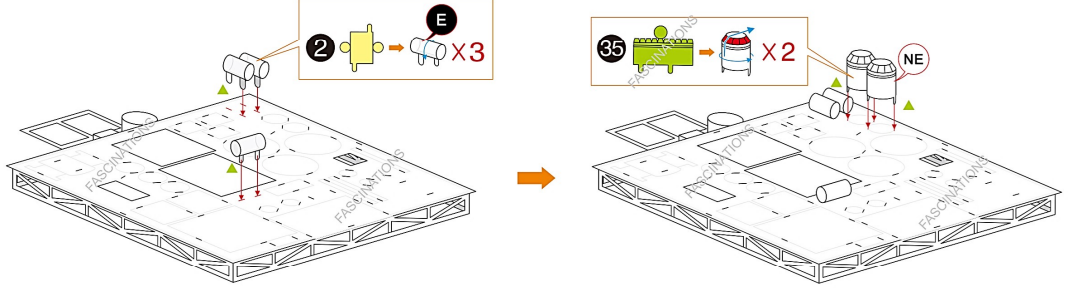
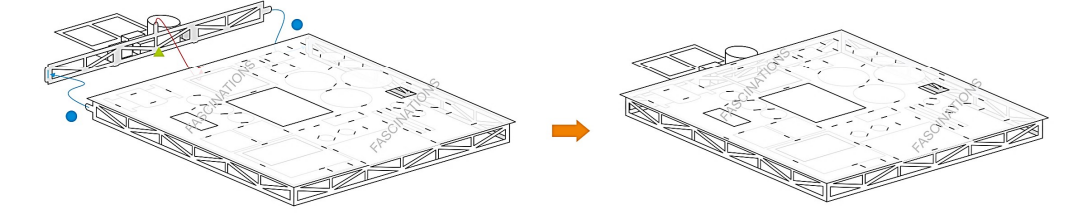
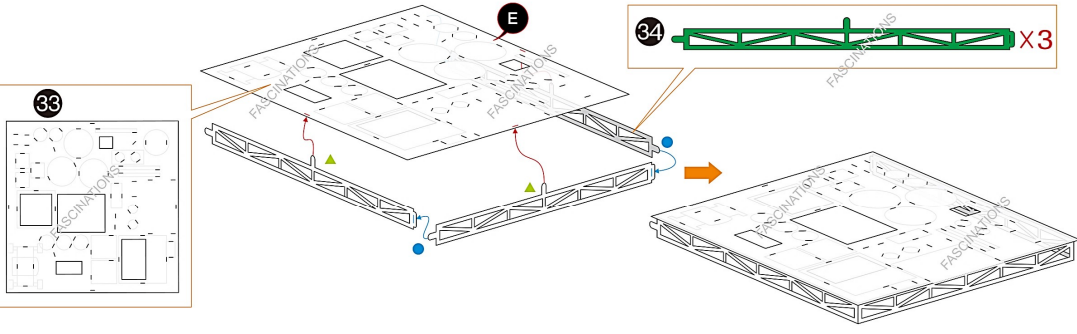
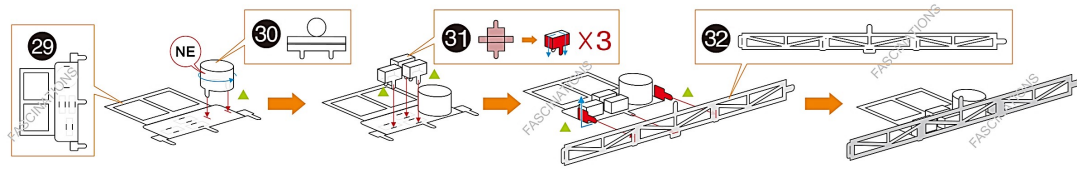
Insertion tabs are inserted and then folded  
Insertion holes  
Fold lines can be seen as shown here

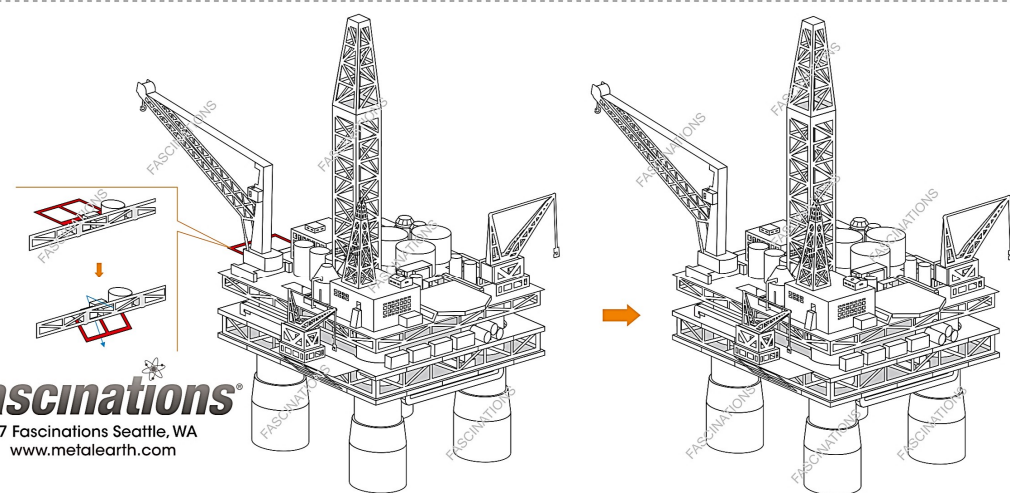
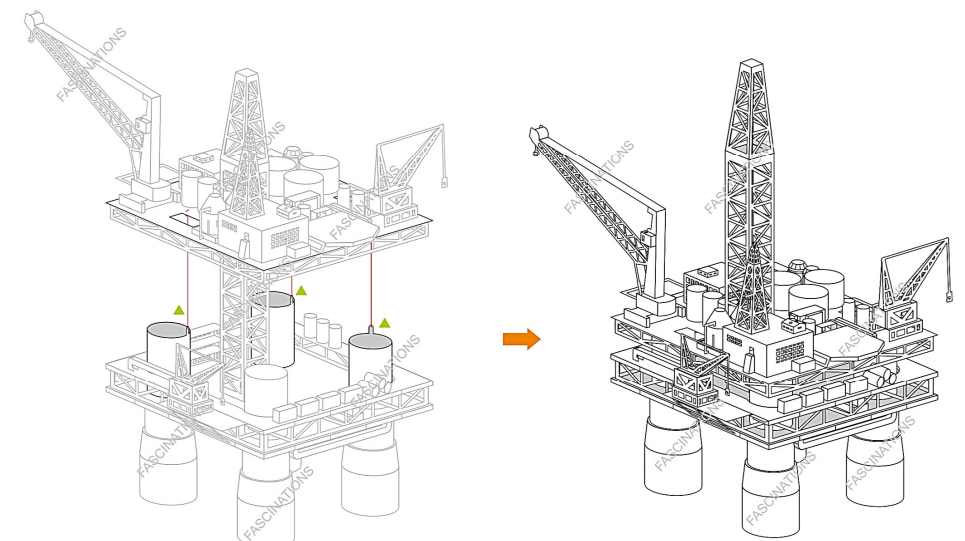
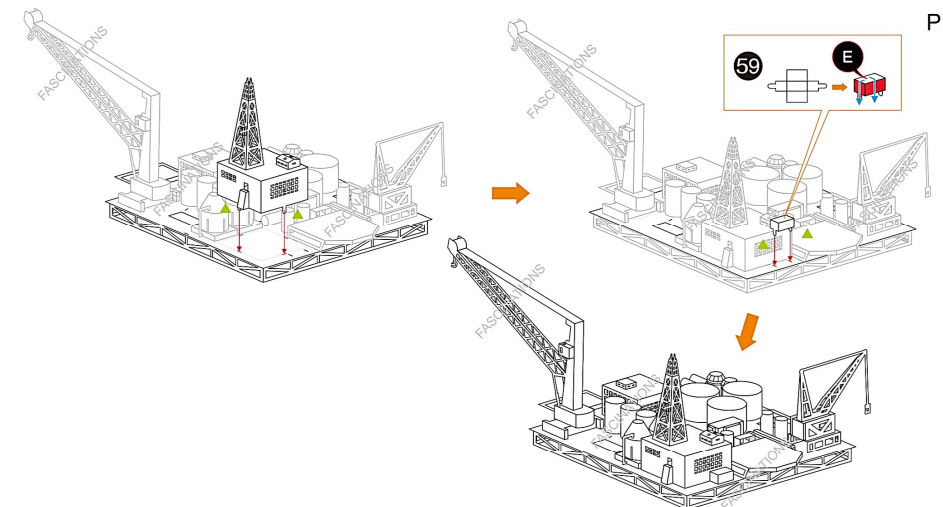
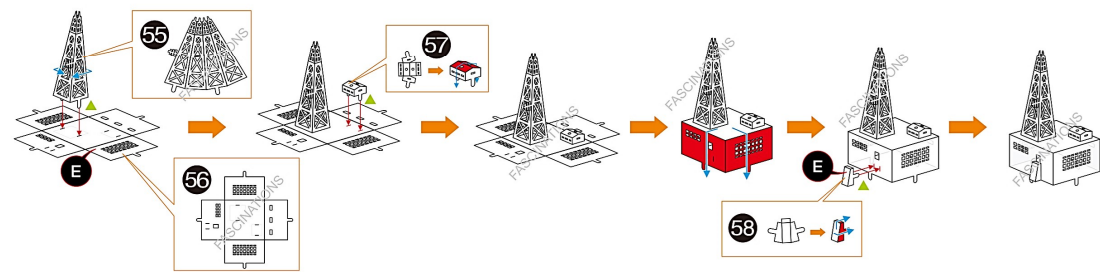
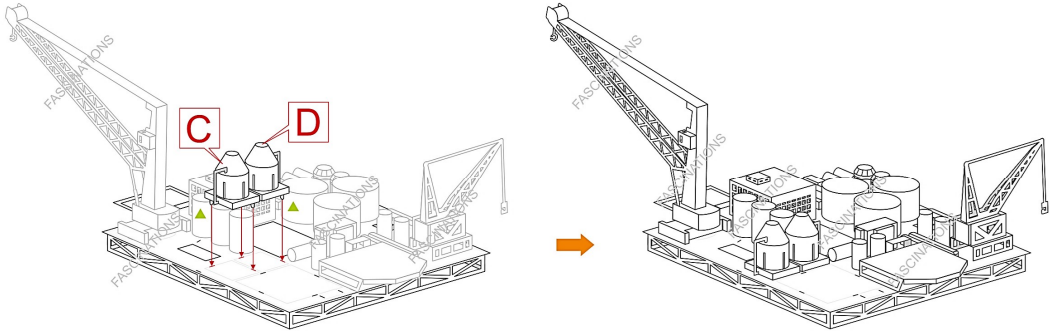
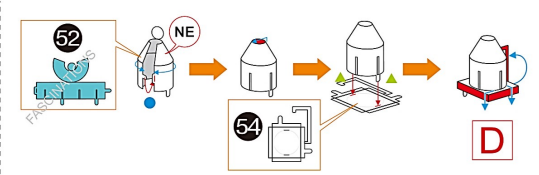
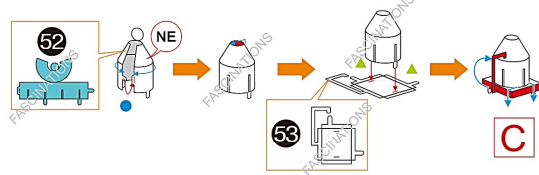
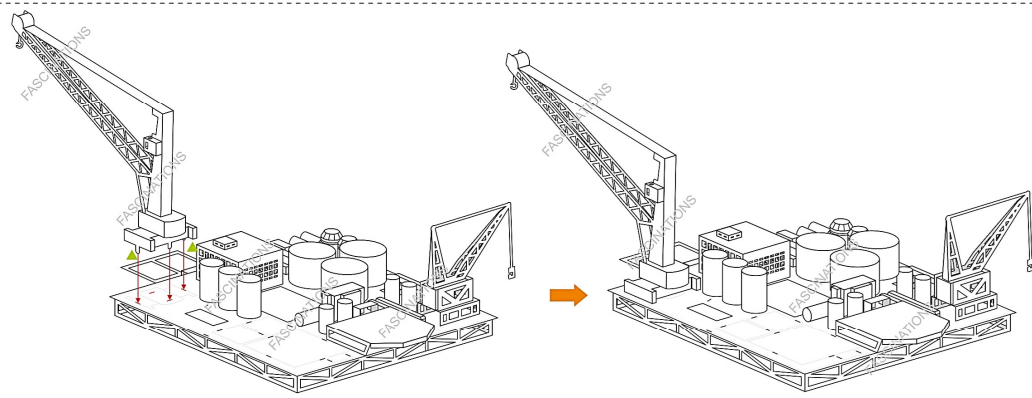
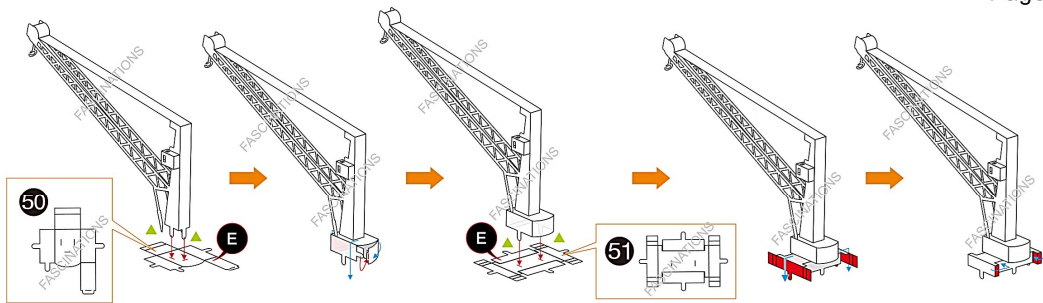
**Metal sheets**



In order to avoid possible injury from sharp edges, please carefully discard the metal sheet after parts have been removed

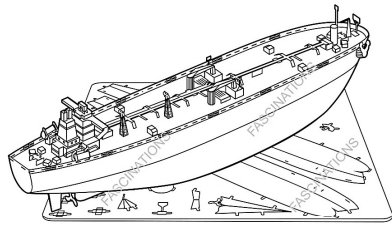






# Metal Earth

3D METAL MODEL KITS



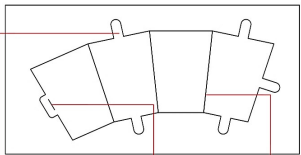
Oil Tanker

Item No. MMG105

360°  
view



It is highly recommended that you visit [www.metalearth.com/360/mmg105](http://www.metalearth.com/360/mmg105) to see the completed model before assembling your own



**Legends:**

- E** Engraved side
- NE** Non-engraved side
- Attention point
- Insert tab and bend 90 degrees
- Insert tab and twist 90 degrees

**Assembly tip:**

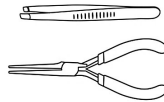
If needed, slightly twist tabs to hold parts together then untwist and bend them down for a nice finish

**Recommended tools:**

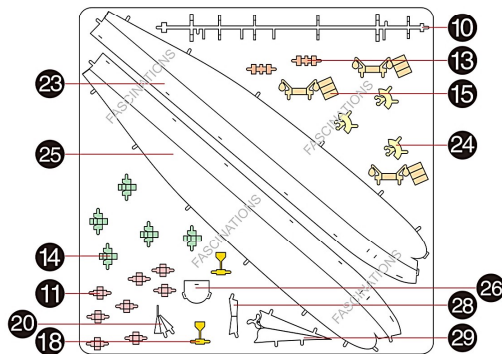
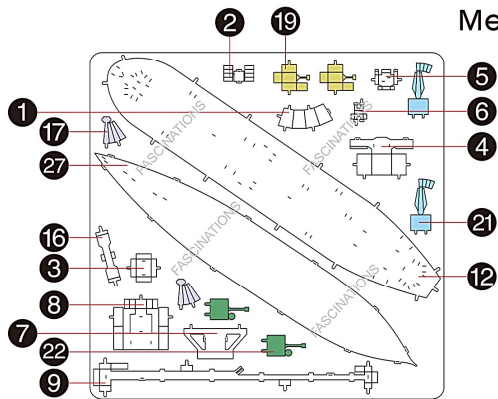
-Wire cutters: helpful for taking parts from the metal sheets.



-Tweezers or needle nose pliers: helpful for folding parts, bending and twisting tabs.



**Metal sheets**



In order to avoid possible injury from sharp edges, please carefully discard the metal sheet after parts have been removed

**Assembly Flow Chart**

