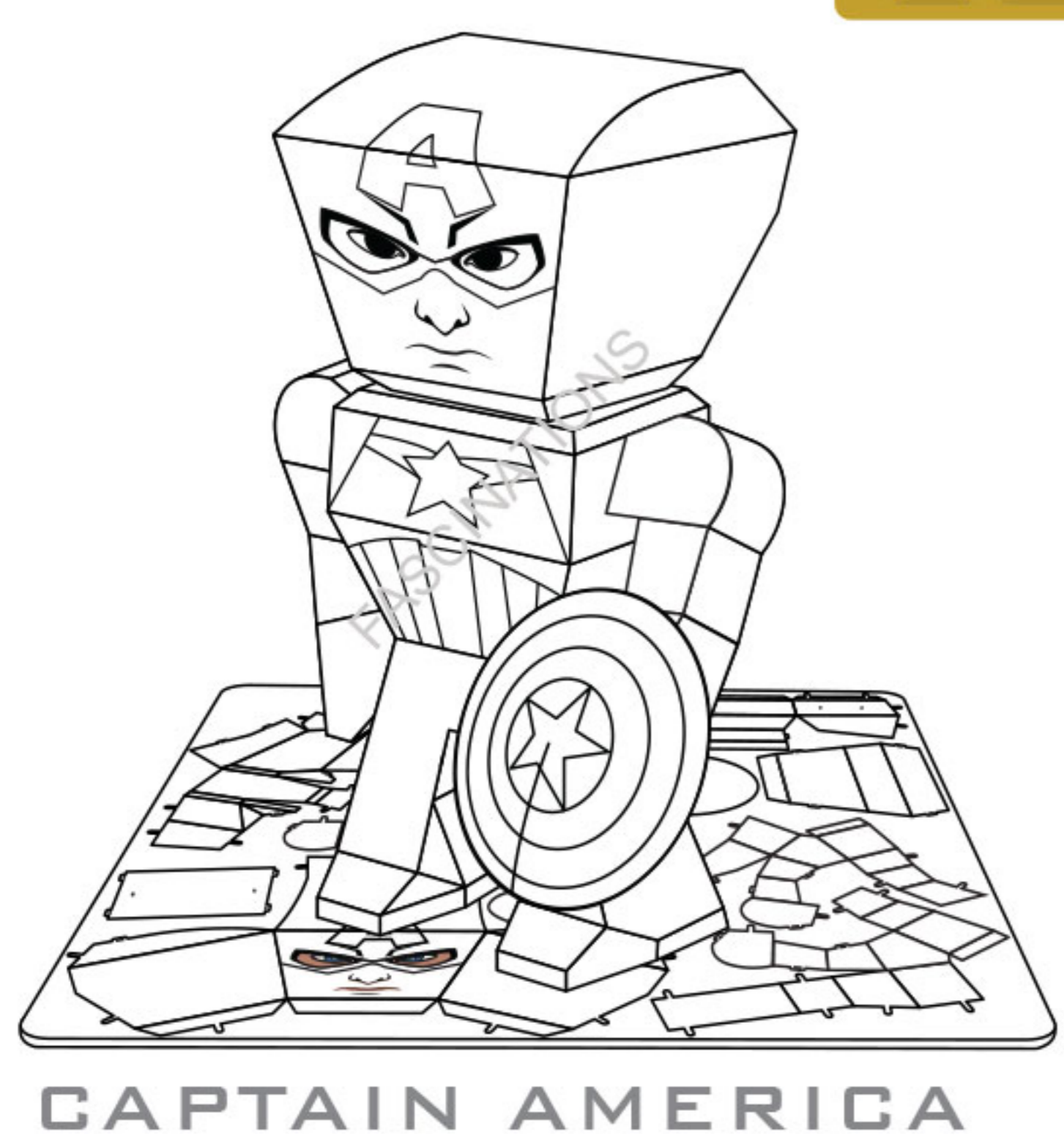
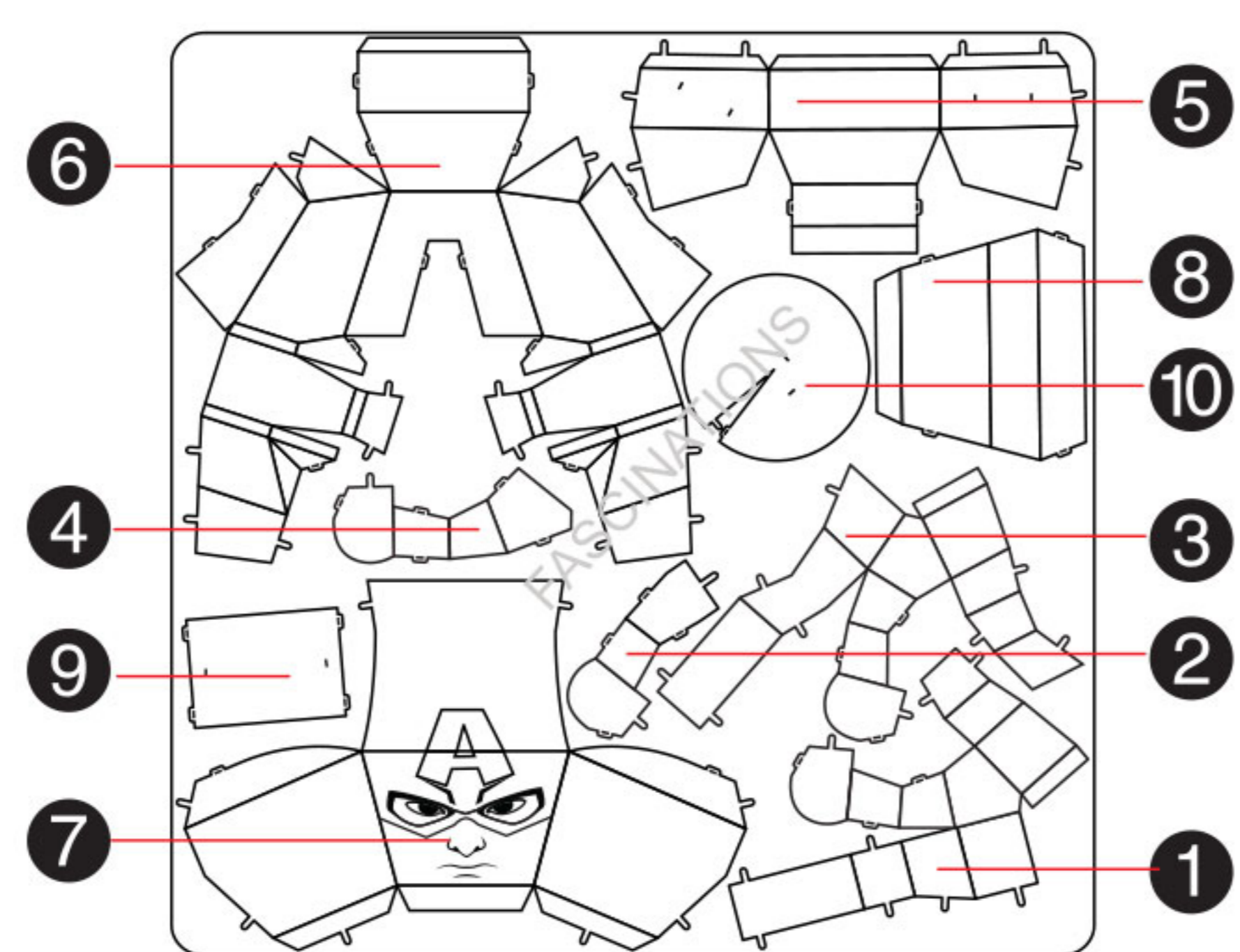


Metal Earth. LEGENDS



CAPTAIN AMERICA



Tweezers or needle nose pliers are helpful for assembly.

To create the best connections

- Insert tab and bend 90 degrees for most visible areas
- ▲ Insert tab and twist 90 degrees is best in some areas to ensure a tight connection

Fold lines can be seen as shown here

Insertion holes

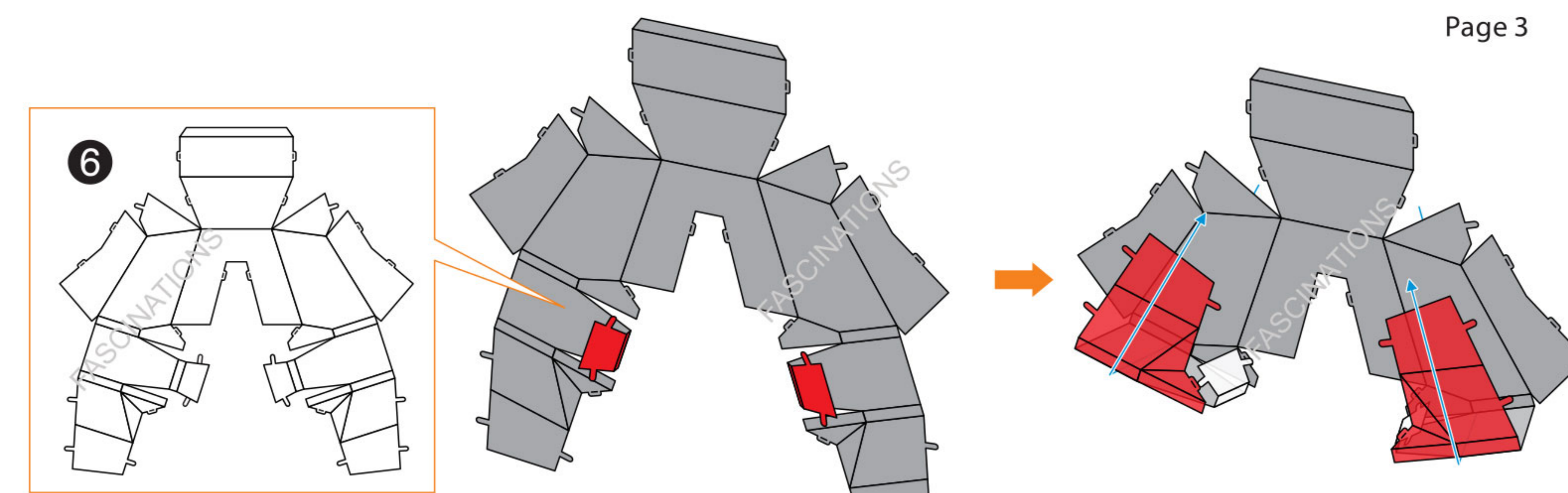
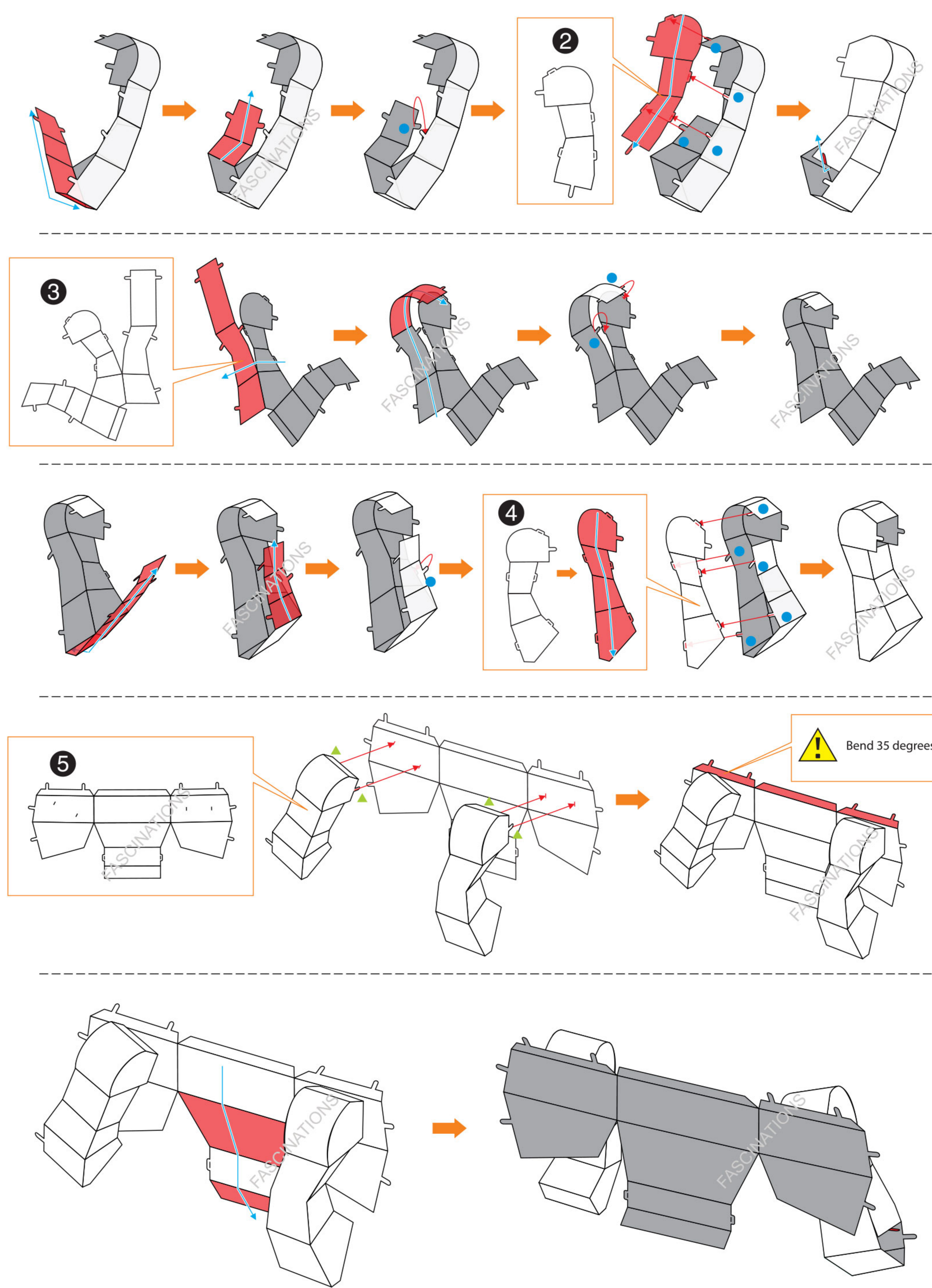
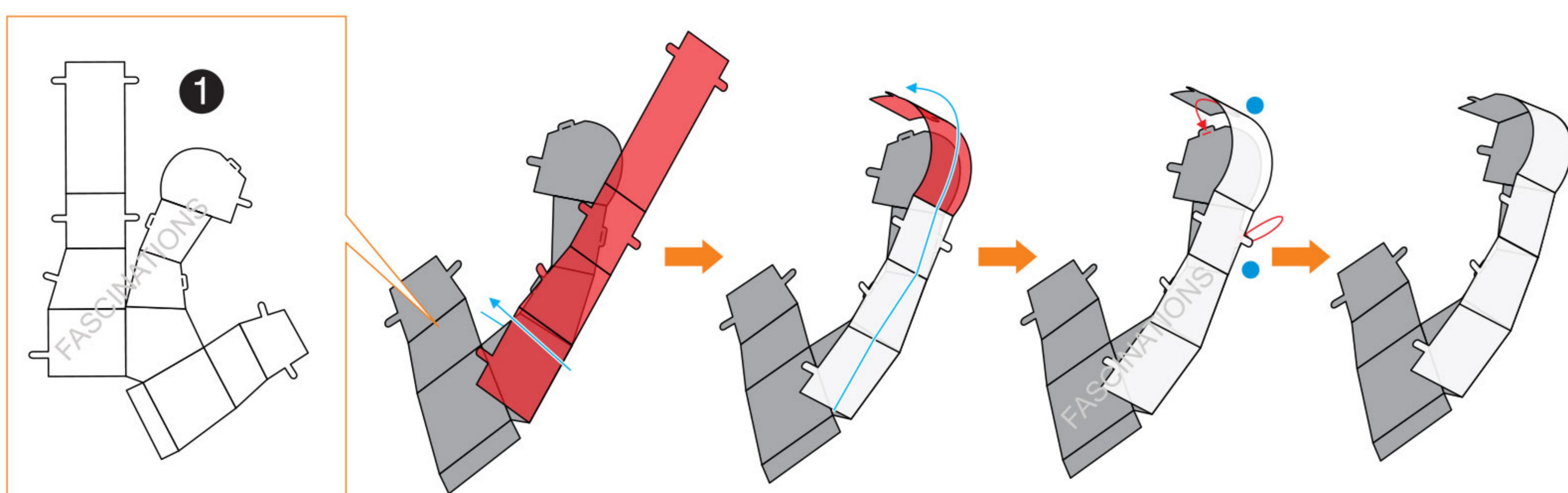
Insertion tabs are inserted and then folded or twisted



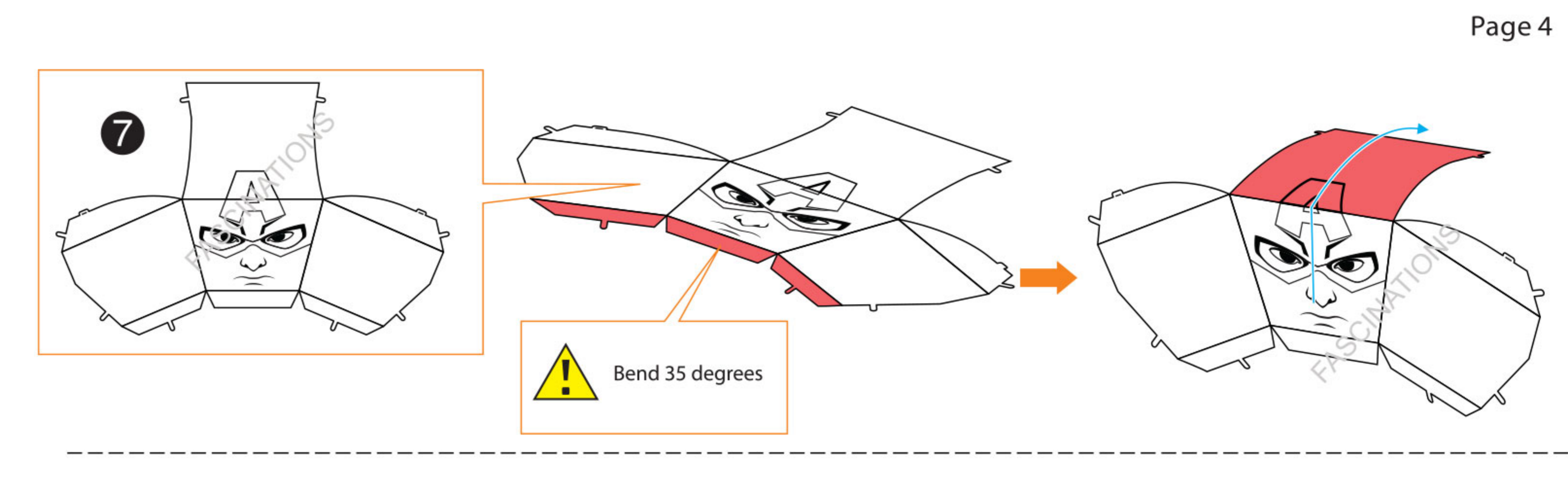
It is recommended that you visit www.metalearth.com/help/mem001 for more information when assembling this model.

⚠ In order to avoid possible injury from sharp edges, please carefully discard the metal sheet after parts have been removed

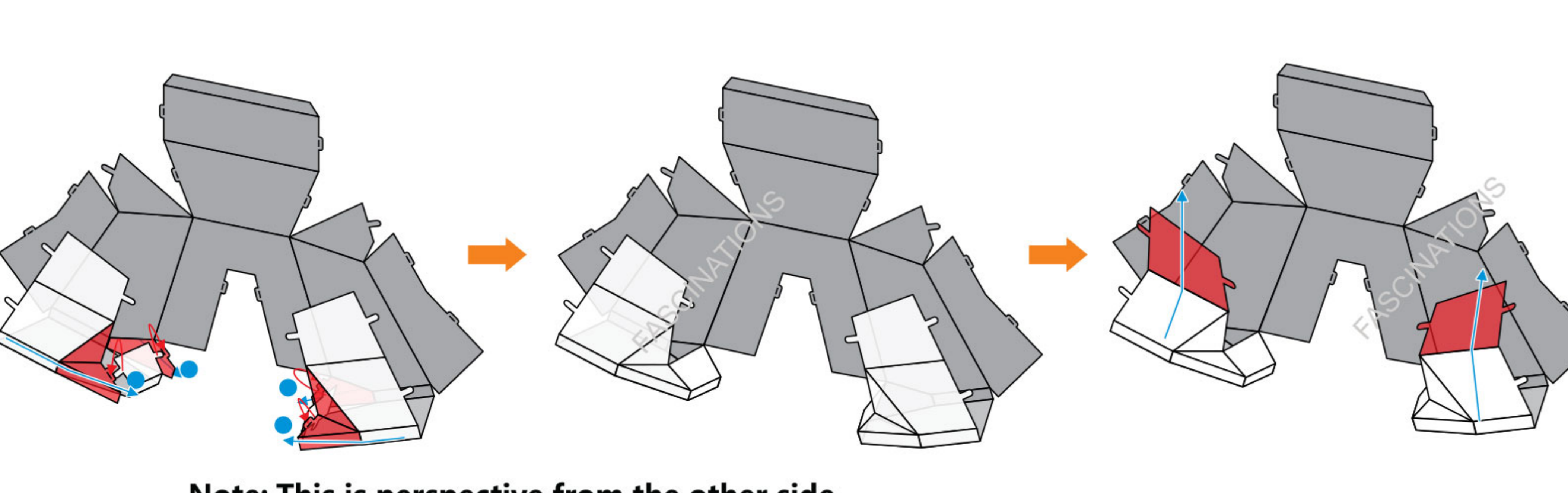
Assembly Flow Chart



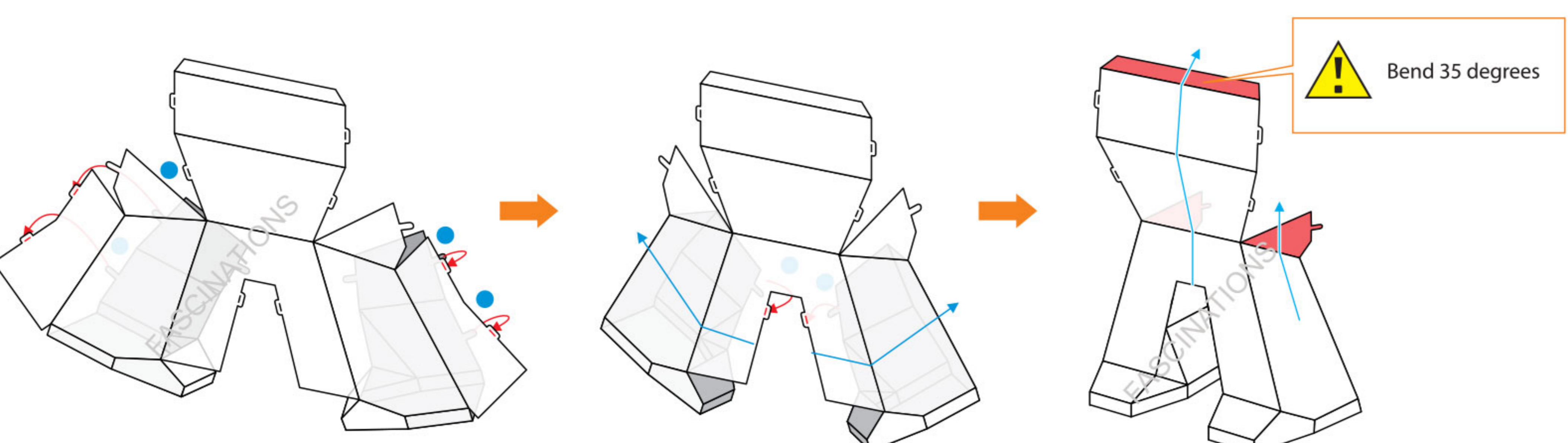
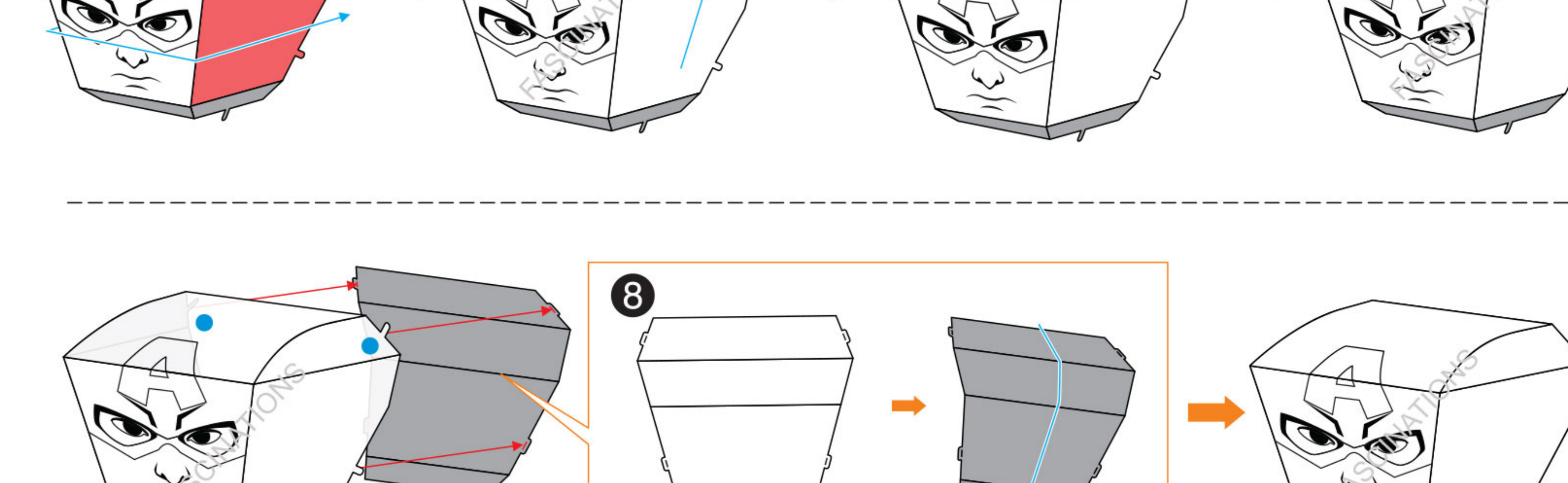
Note: This is perspective from the other side.



⚠ Bend 35 degrees



Note: This is perspective from the other side.



⚠ Bend 35 degrees

