

ICONX

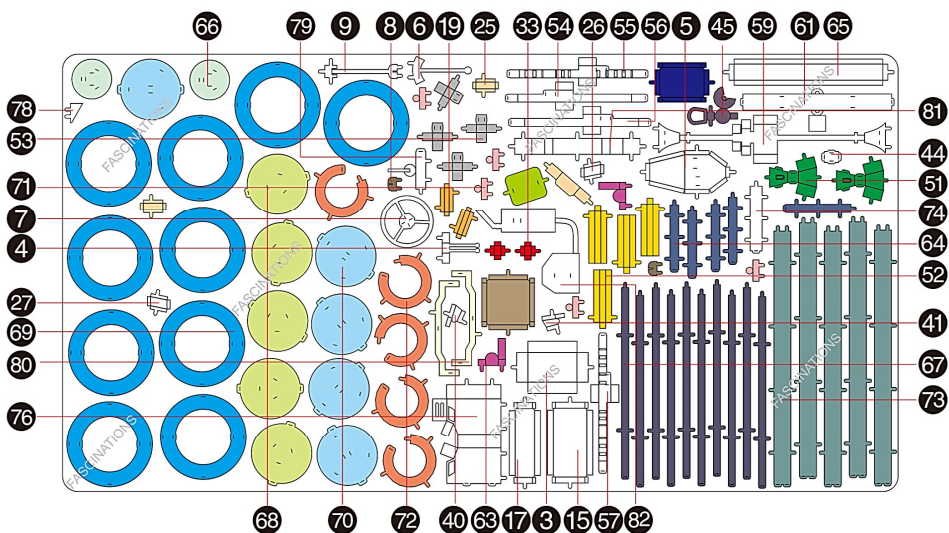
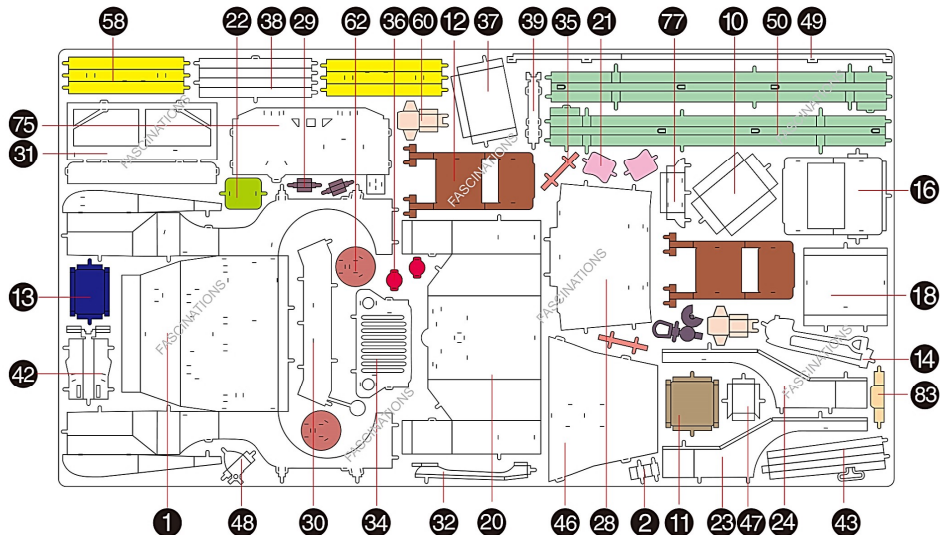


It is highly recommended that you visit www.metalearth.com/360/ix107 to see the completed model before assembling your own

Metal Earth

3D METAL MODEL KITS

METAL SHEETS



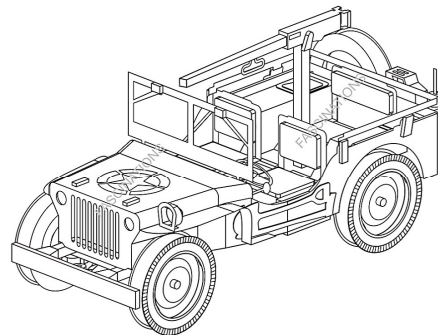
In order to avoid possible injury from sharp edges, please carefully discard the metal sheet after parts have been removed.



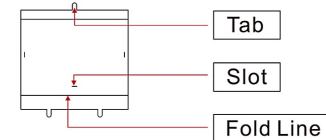
Go to www.metalearth.com/360/ix107 to see the zoomable PDF version of this instruction sheet

ICX107

Willys MB Jeep



TO CREATE THE BEST CONNECTIONS



Legends:

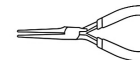
- Engraved side
- Non-engraved side
- Attention point
- Insert tab and bend 90 degrees
- Insert tab and twist 90 degrees

Recommended tools:

-Wire cutters: helpful for taking parts from the metal sheets.



-Tweezers or needle nose pliers: helpful for folding parts, bending and twisting tabs.

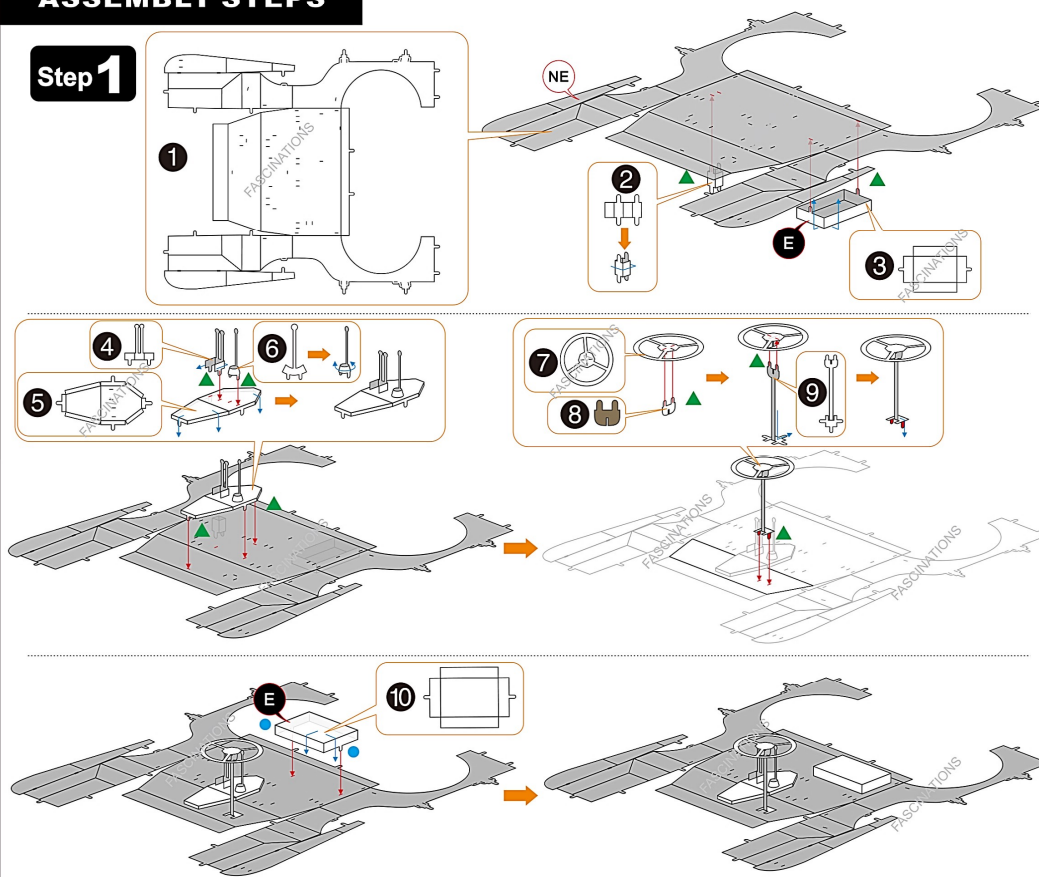


Assembly tip:

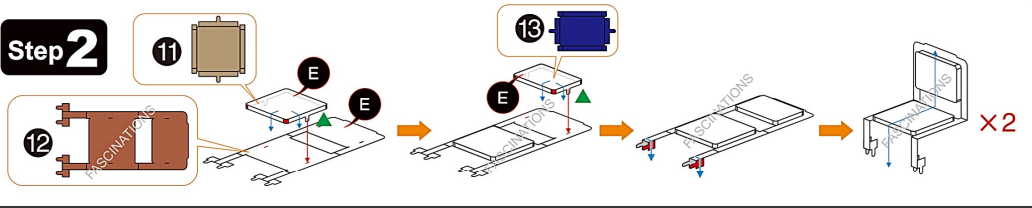
If needed, slightly twist tabs to hold parts together then untwist and bend them down for a nice finish

ASSEMBLY STEPS

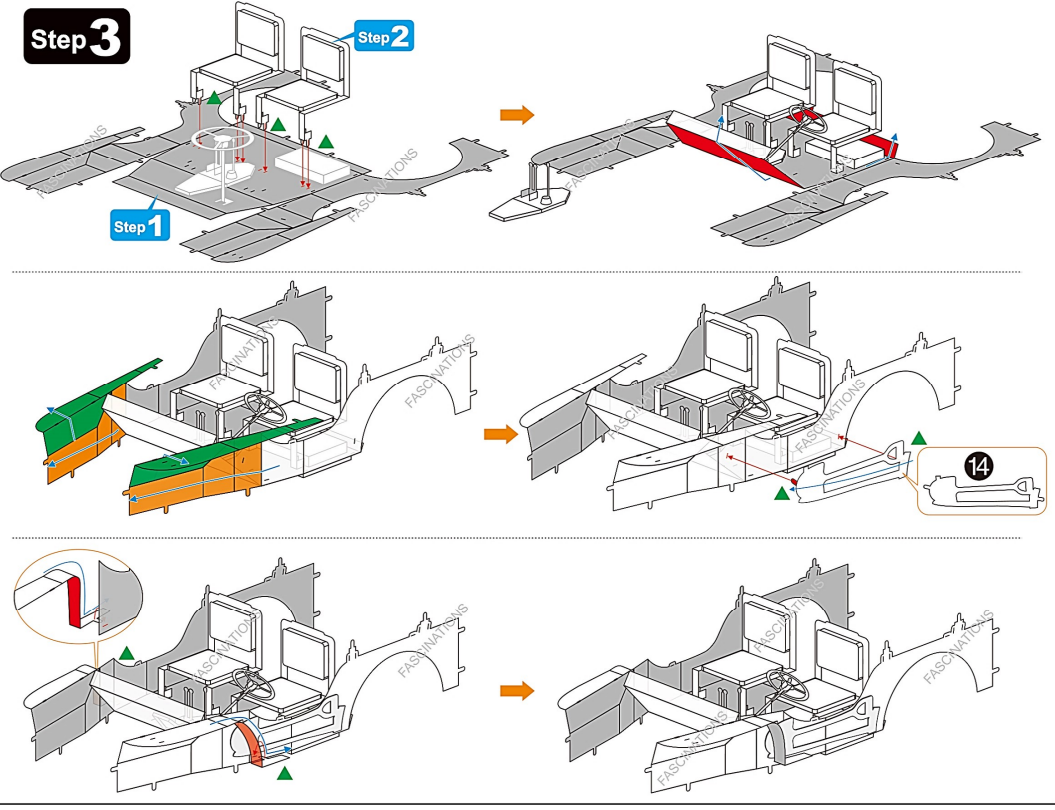
Step 1



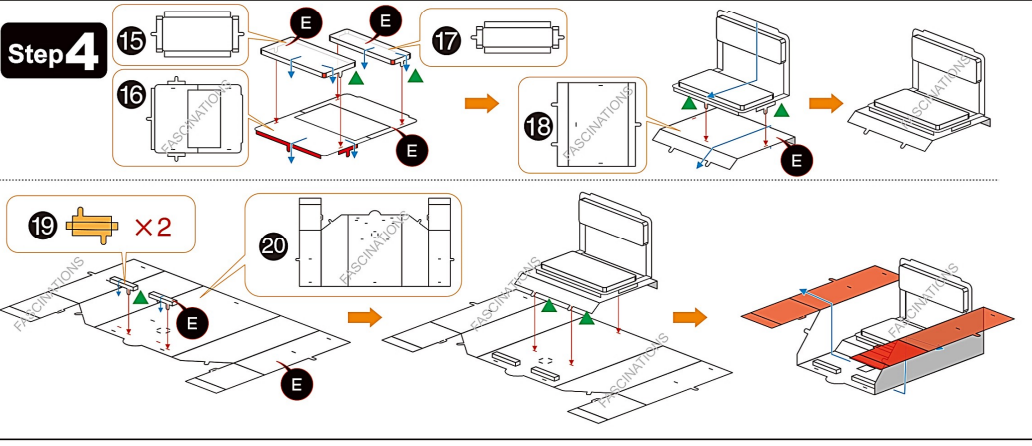
Step 2



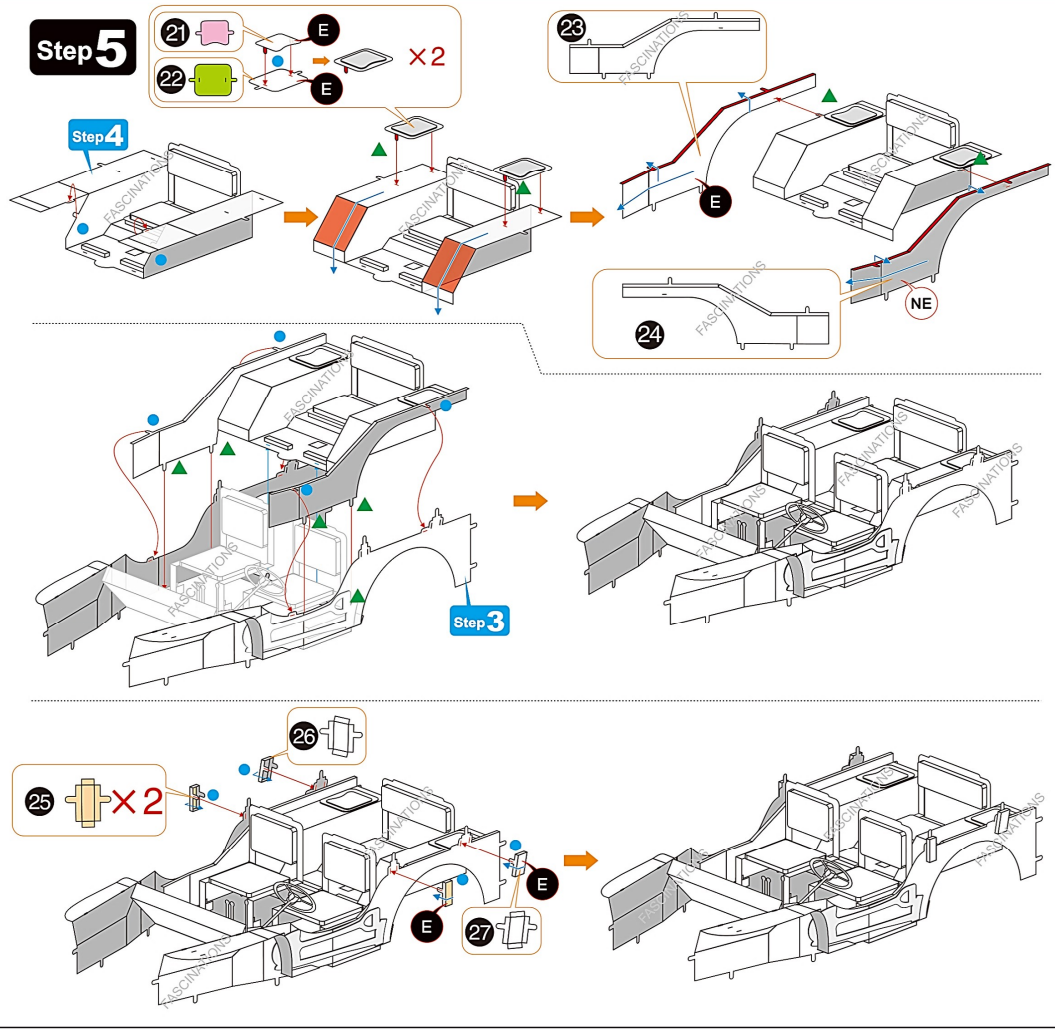
Step 3



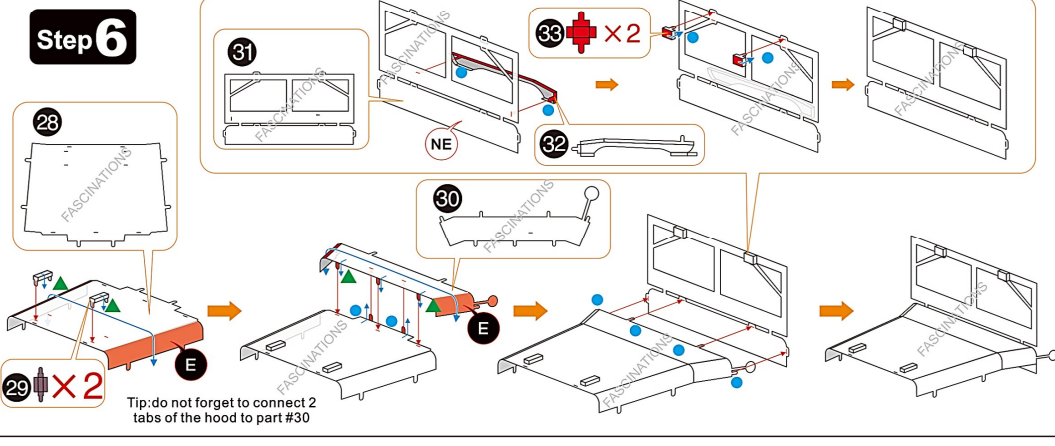
Step 4



Step 5

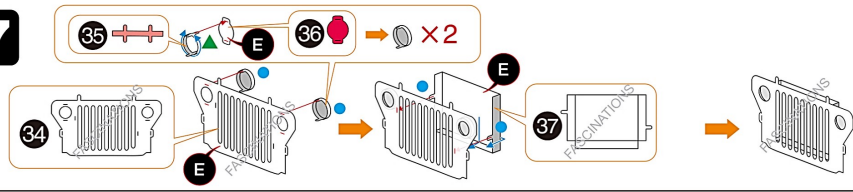


Step 6

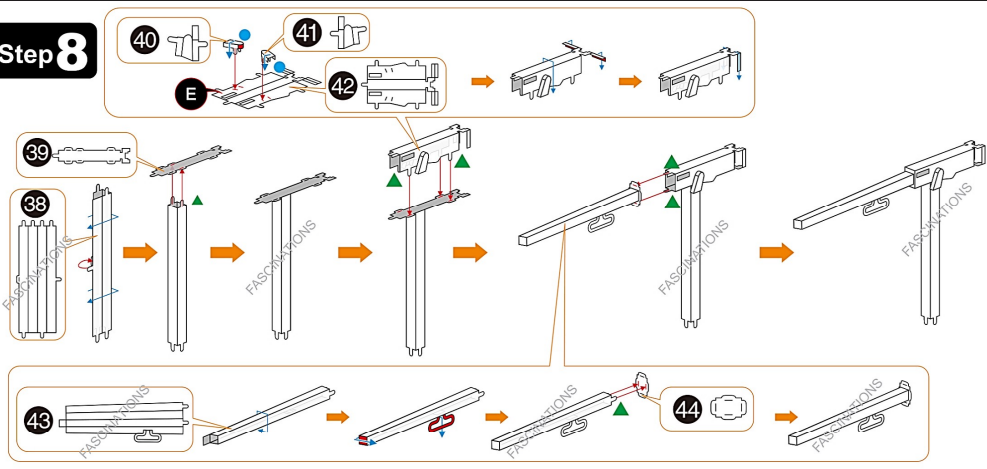


Tip: do not forget to connect 2 tabs of the hood to part #30

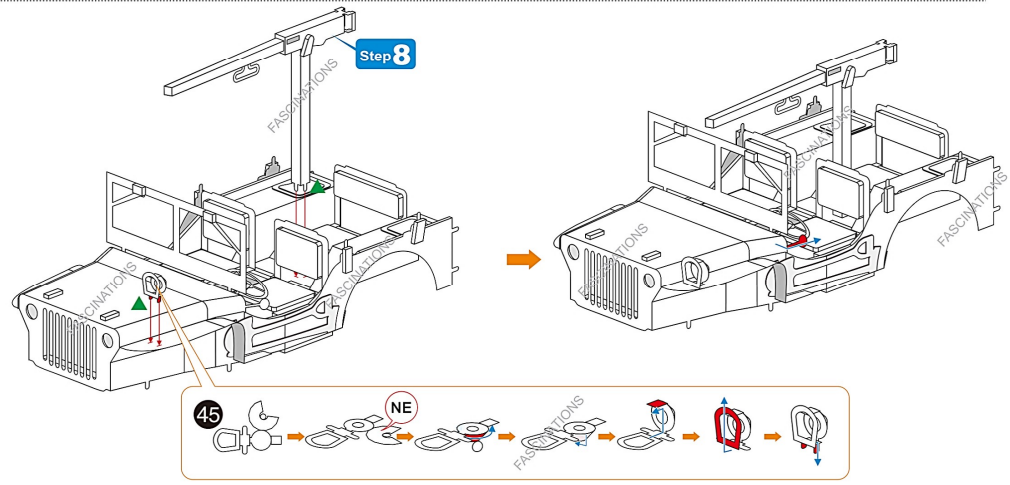
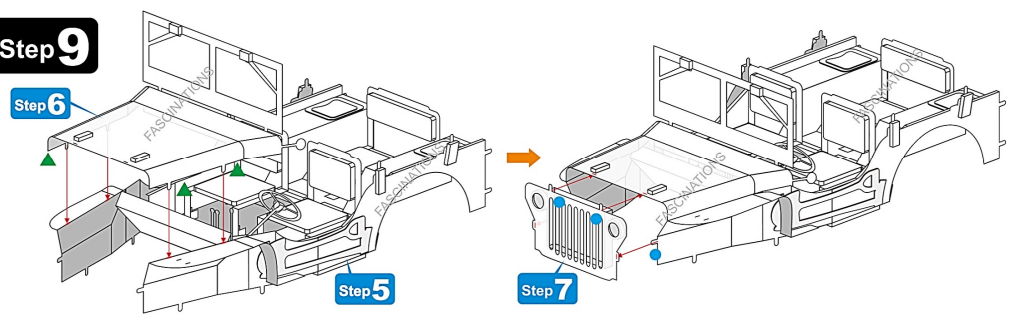
Step 7



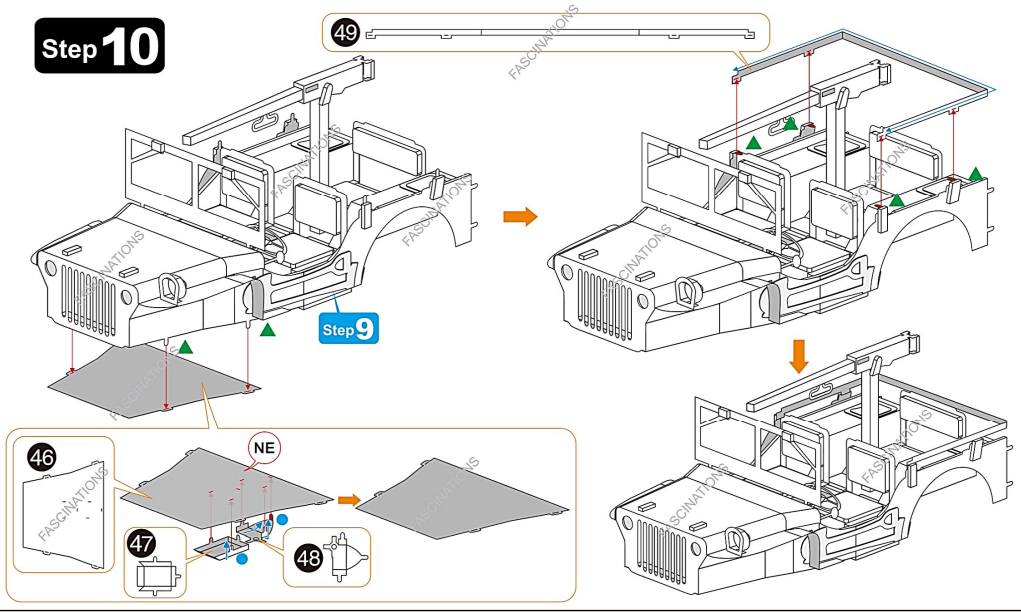
Step 8



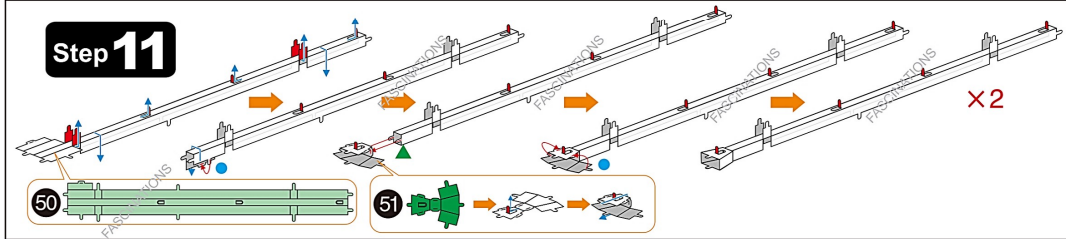
Step 9



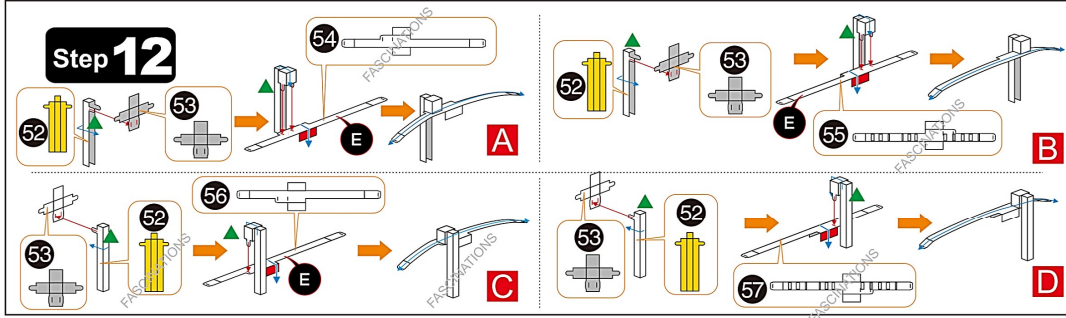
Step 10



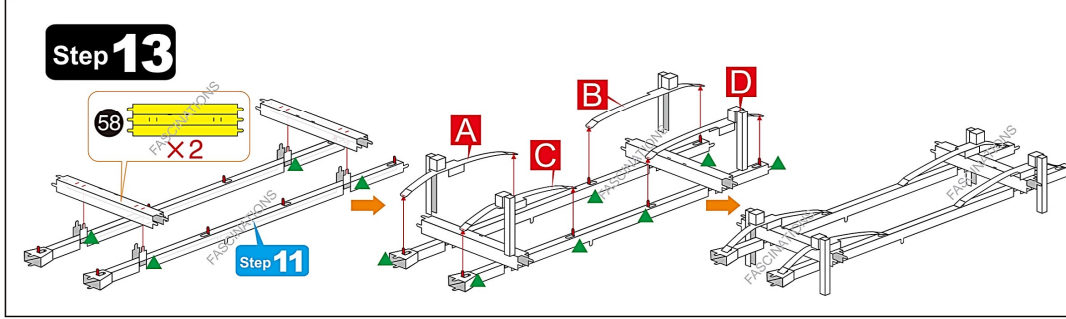
Step 11



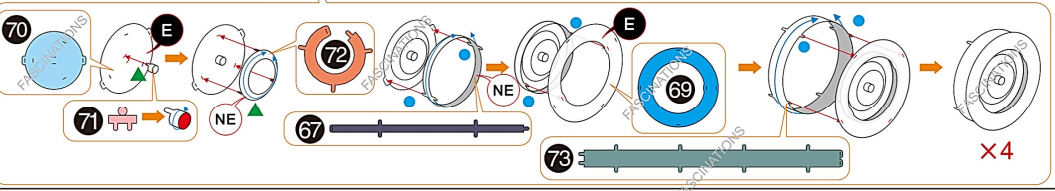
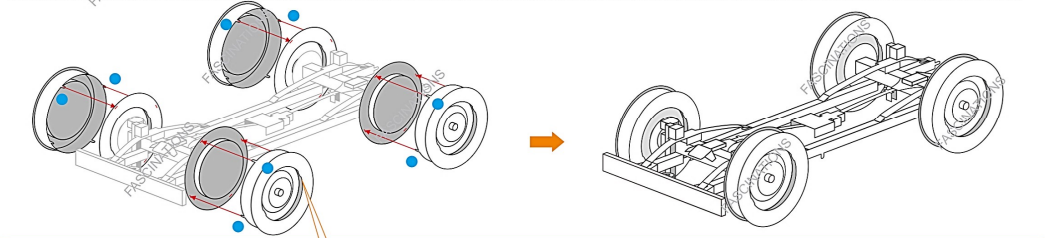
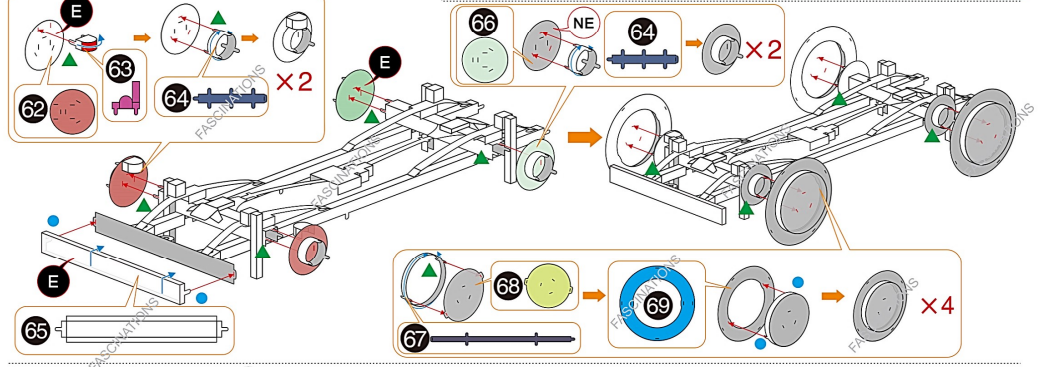
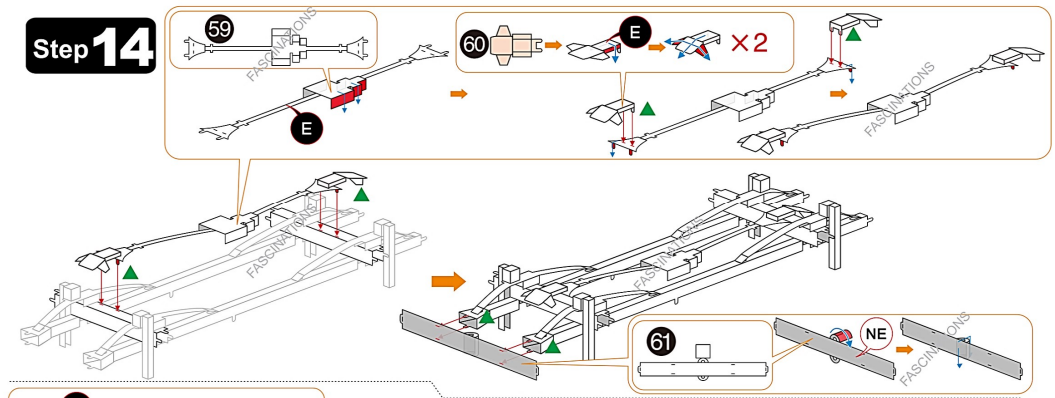
Step 12



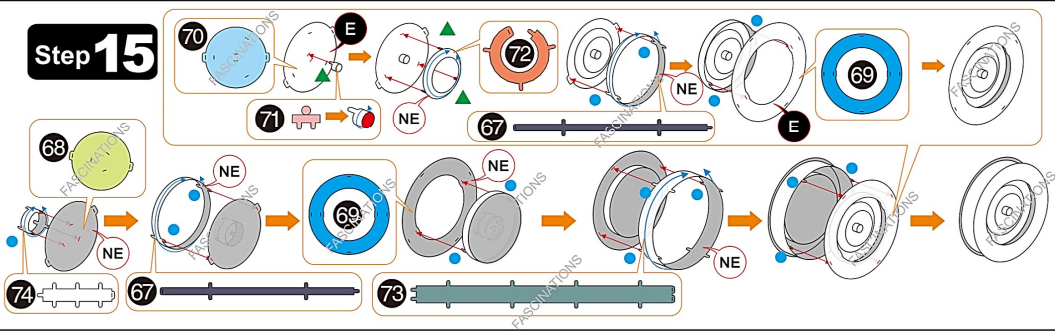
Step 13



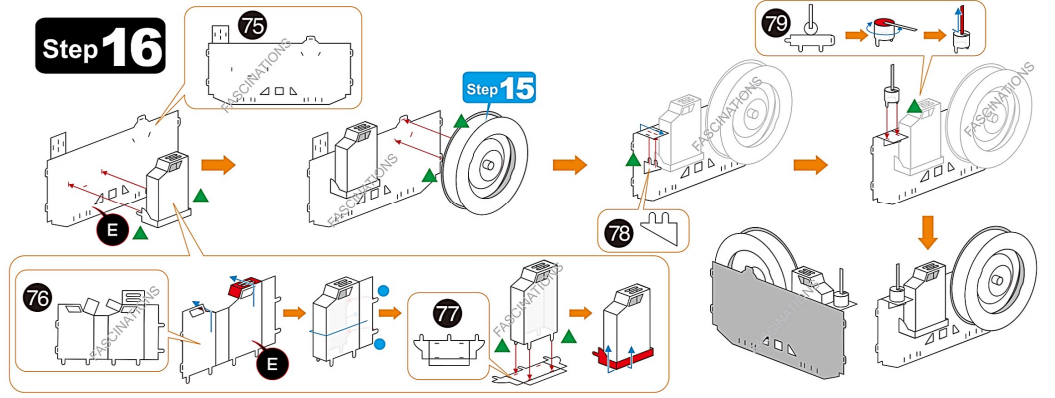
Step 14



Step 15



Step 16



Step 17

