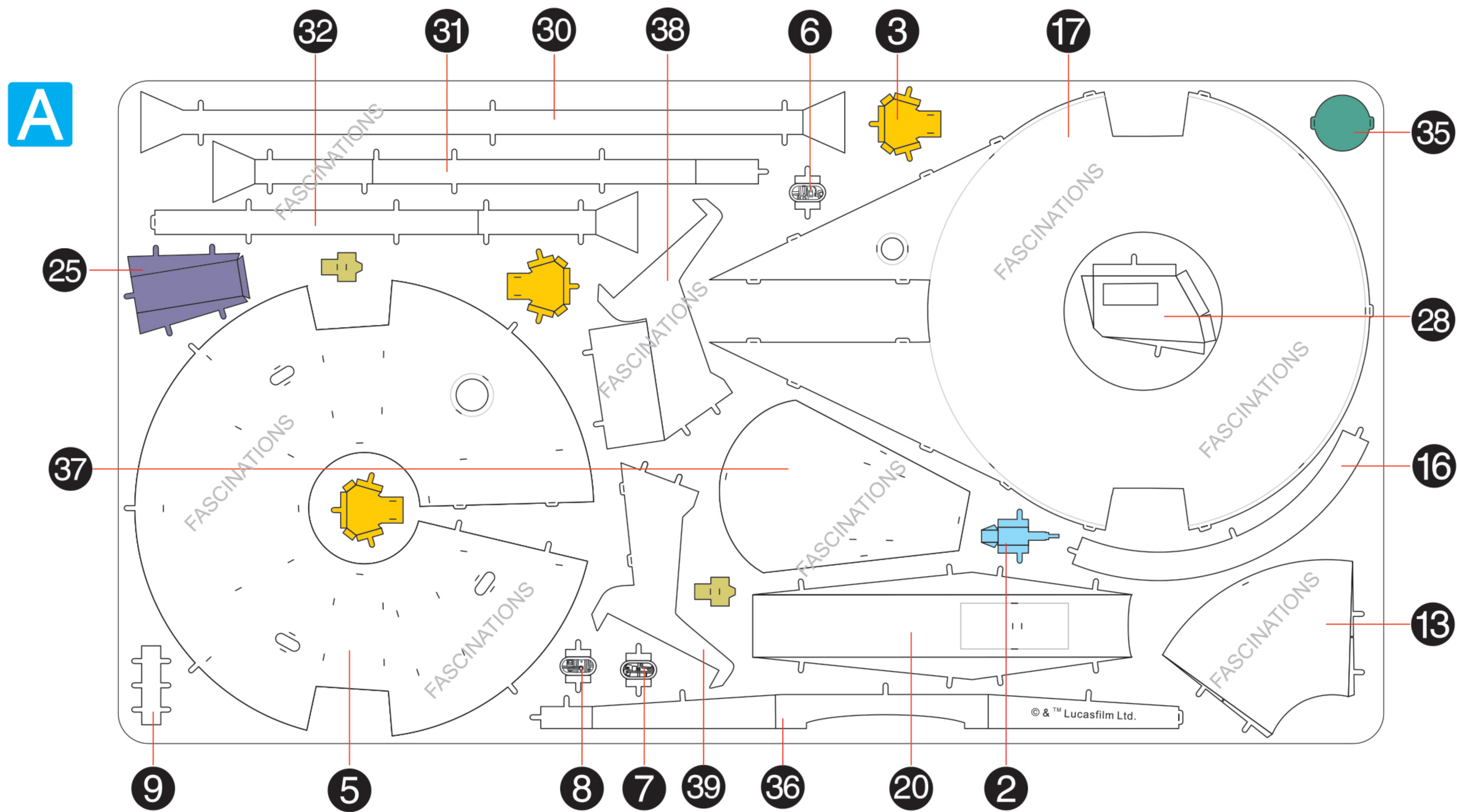
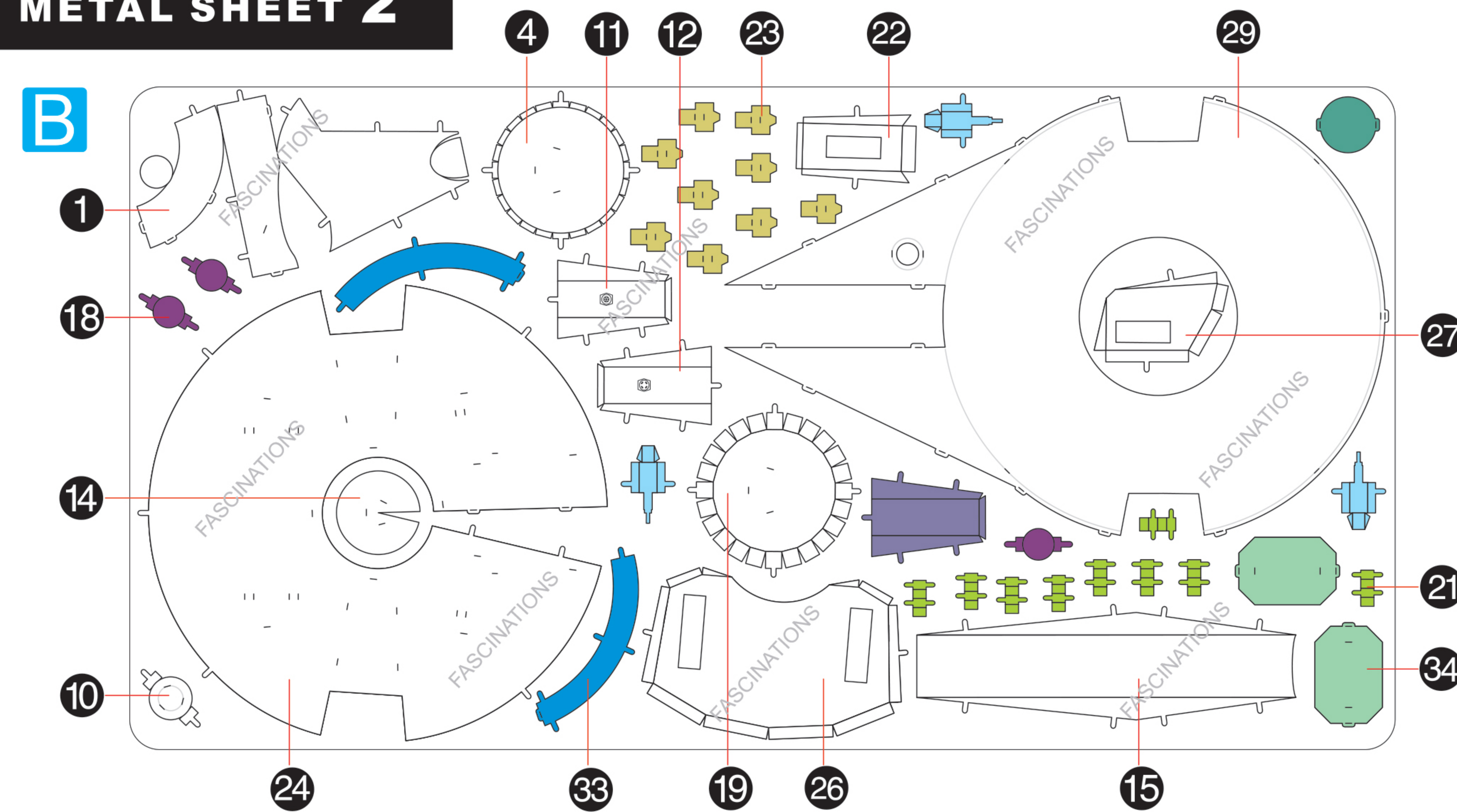


METAL SHEET 1

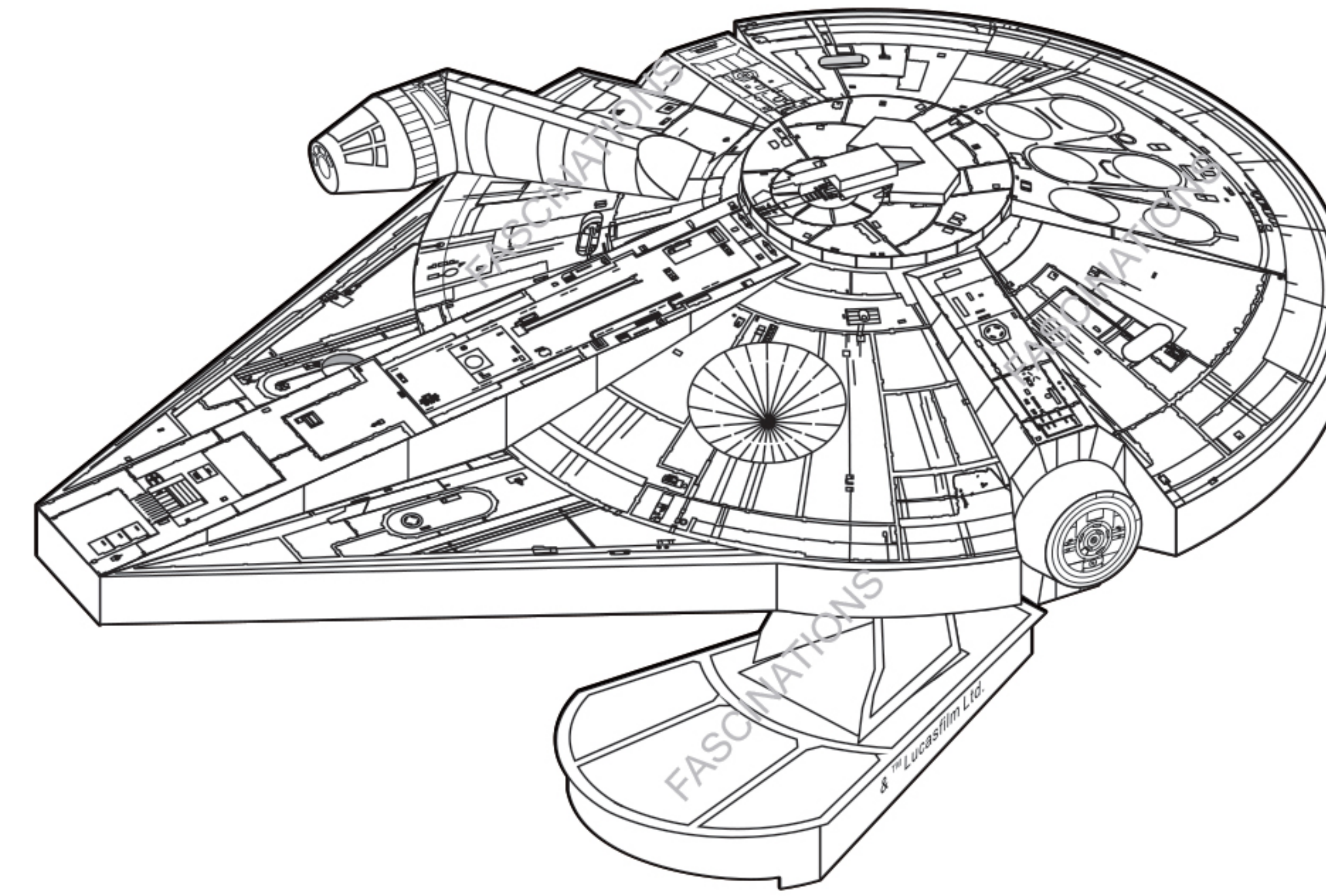


METAL SHEET 2



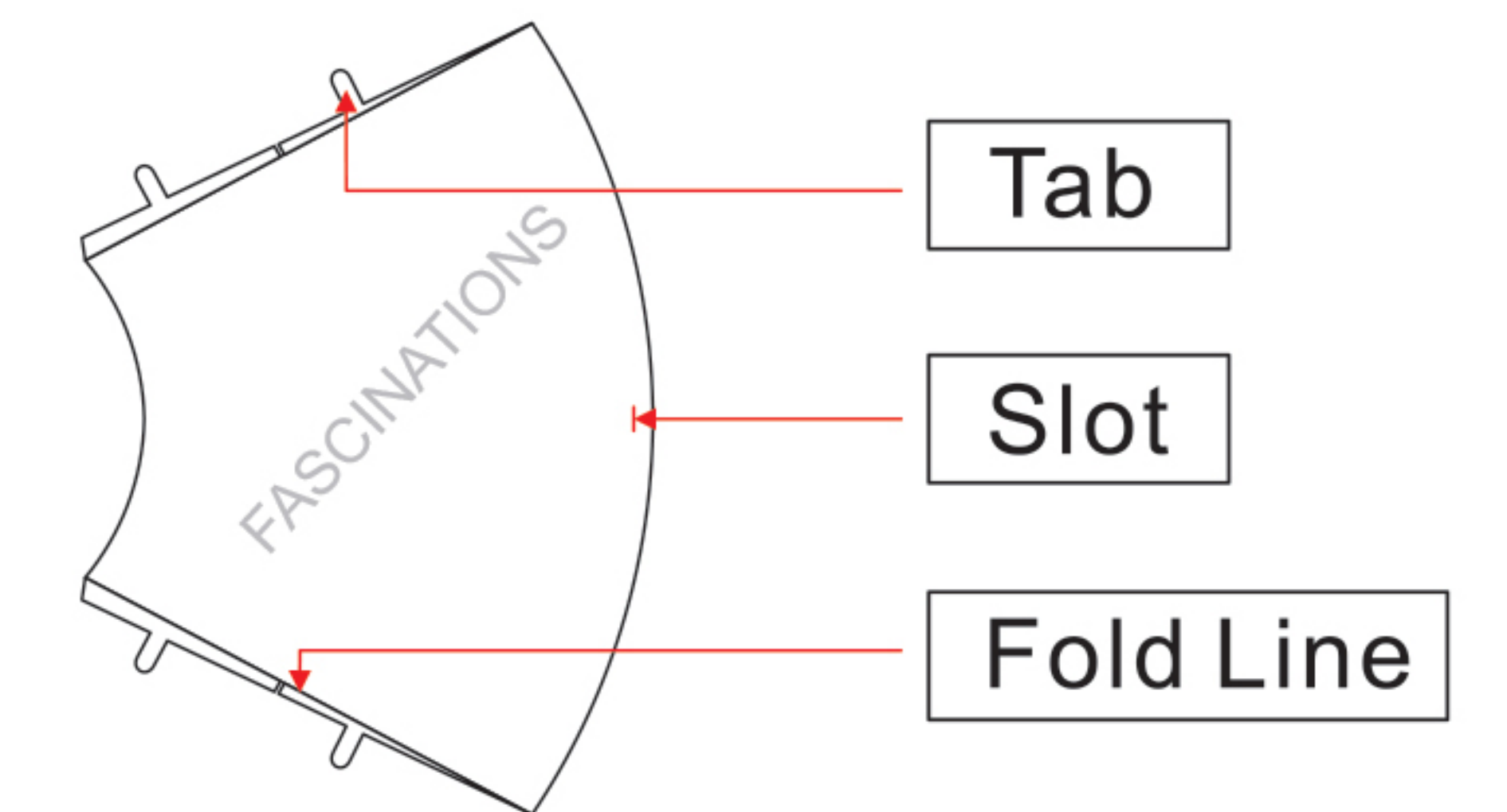
In order to avoid possible injury from sharp edges, please carefully discard the metal sheets after parts have been removed.

ICX201



It is highly recommended that you visit www.metalearth.com/360/icx201 to see the completed model before assembling your own

TO CREATE THE BEST CONNECTIONS



Legends:

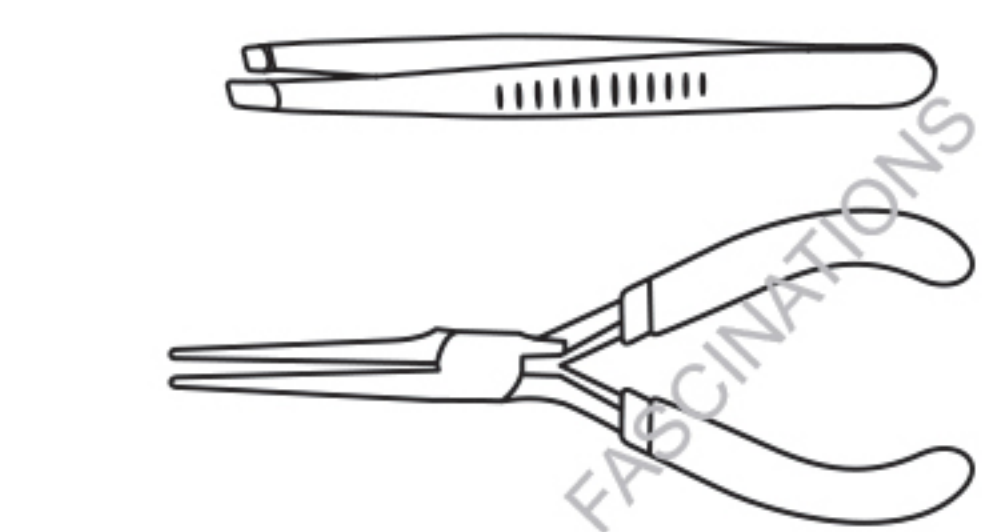
- Engraved side
- Non-engraved side
- Attention point
- Insert tab and bend 90 degrees
- Insert tab and twist 90 degrees

Recommended tools:

-Wire cutters: helpful for taking parts from the metal sheets.



-Tweezers or needle nose pliers: helpful for folding parts, bending and twisting tabs.

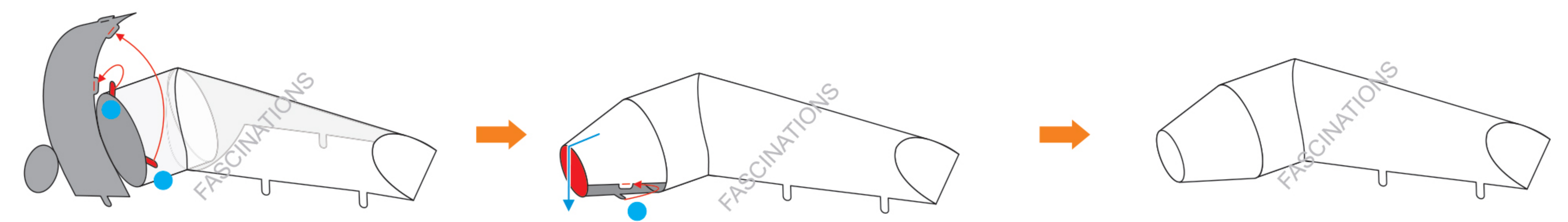
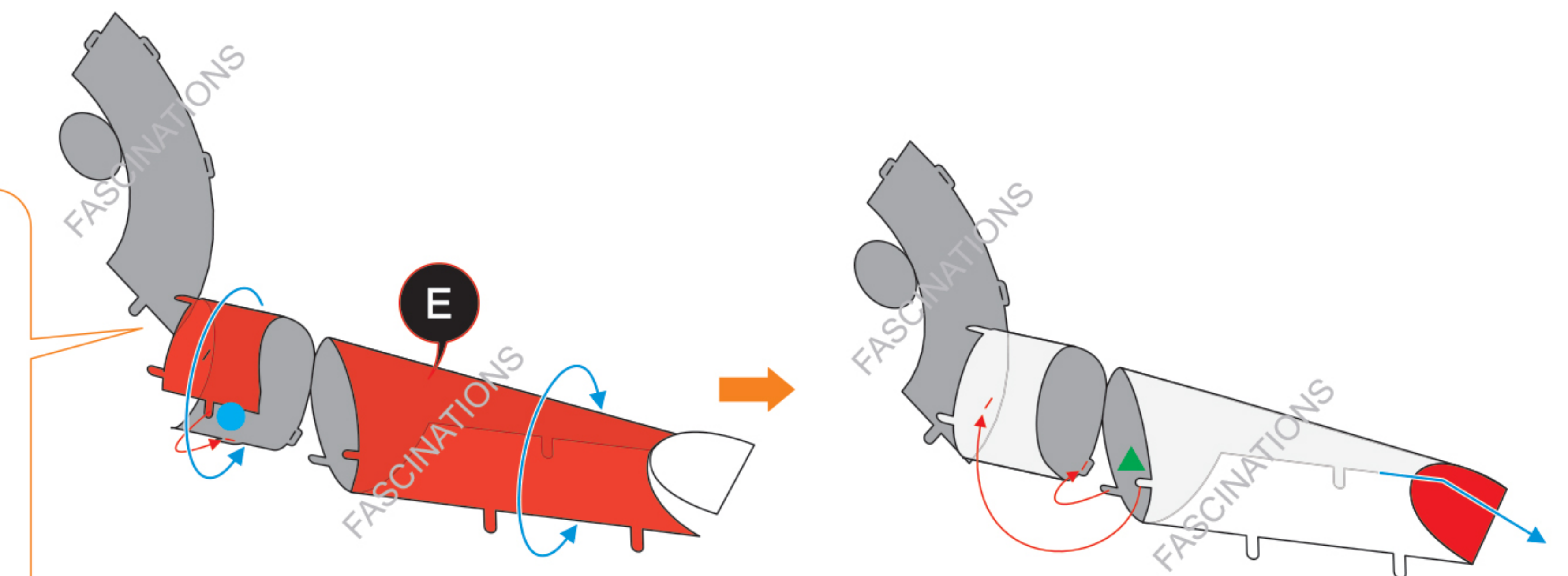
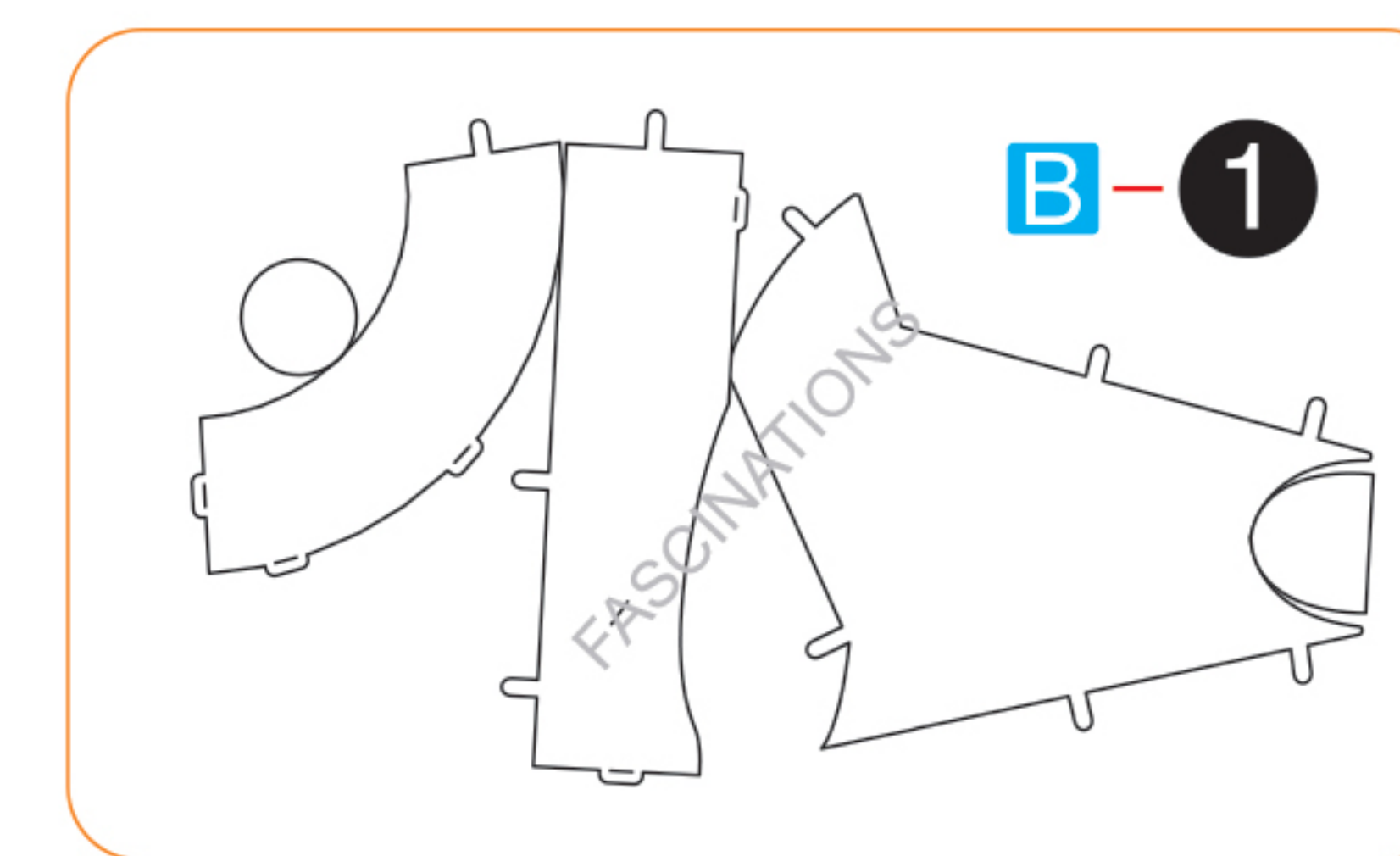


Assembly tip:

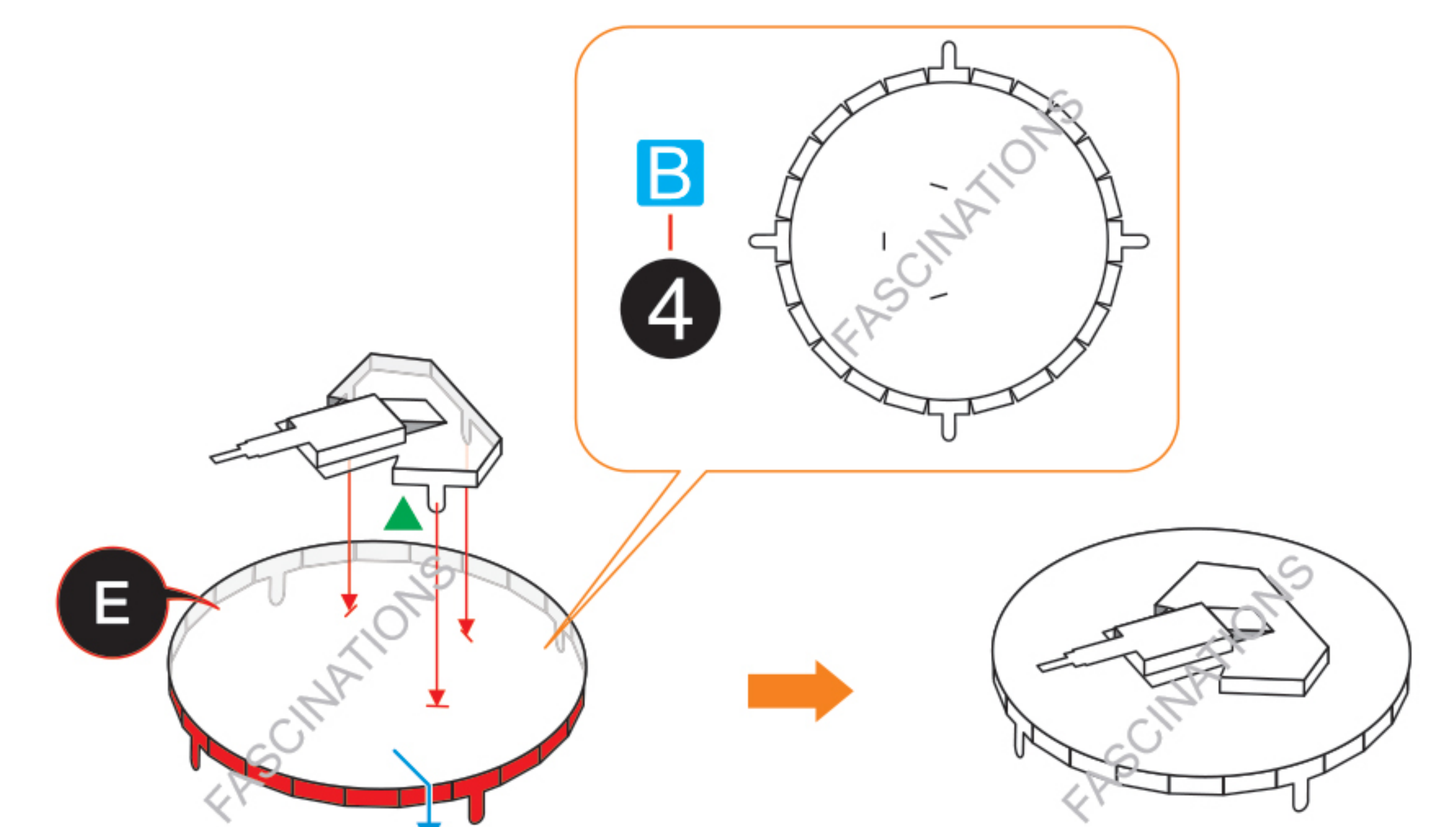
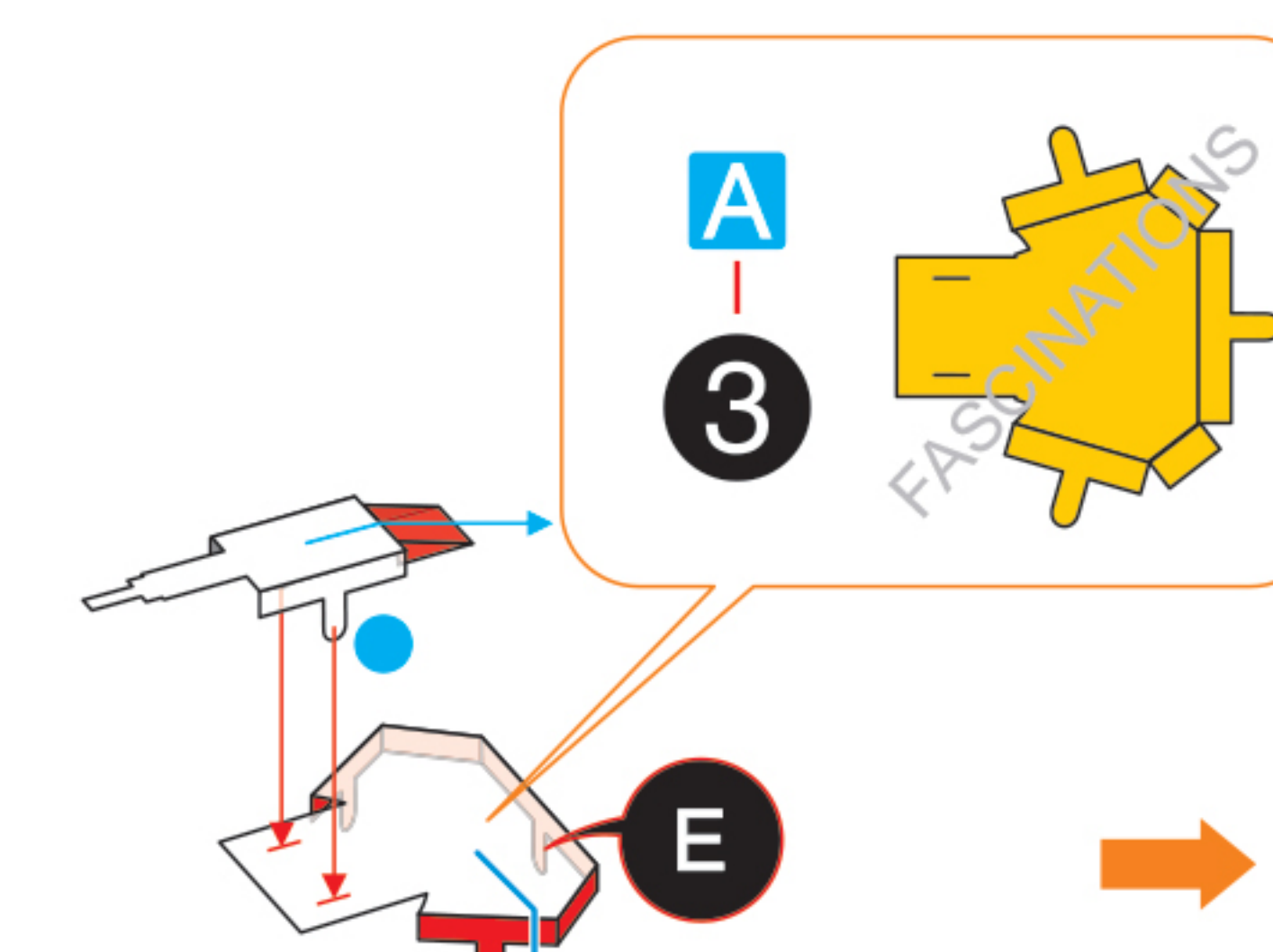
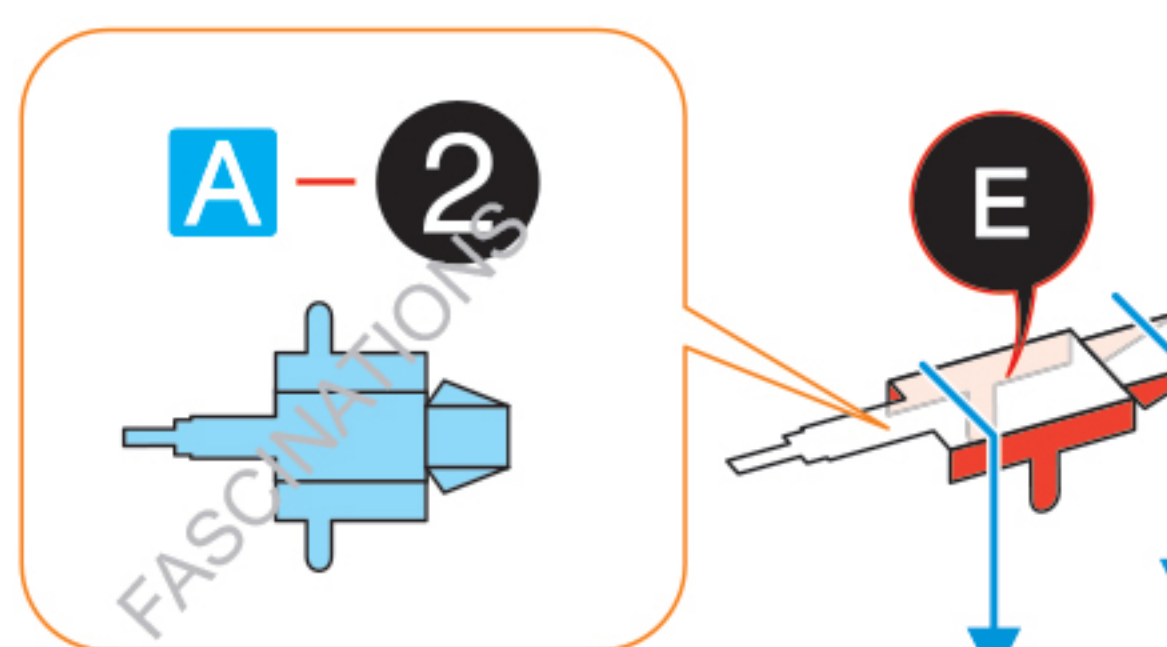
If needed, slightly twist tabs to hold parts together then untwist and bend them down for a nice finish

ASSEMBLY STEPS

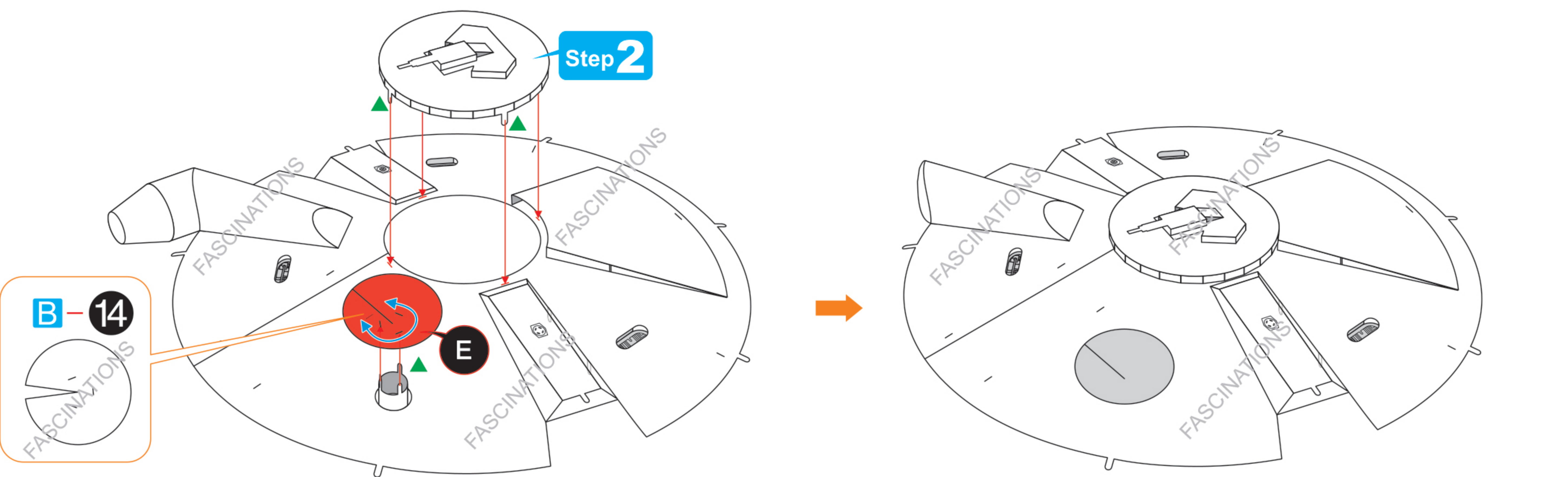
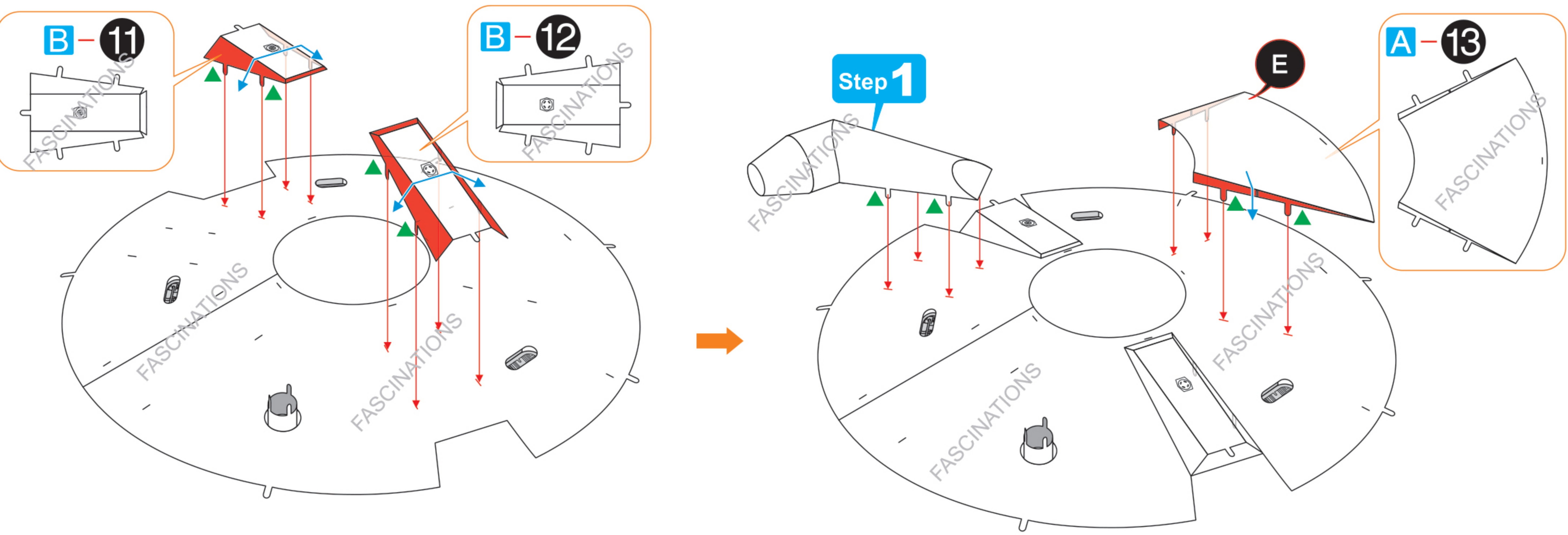
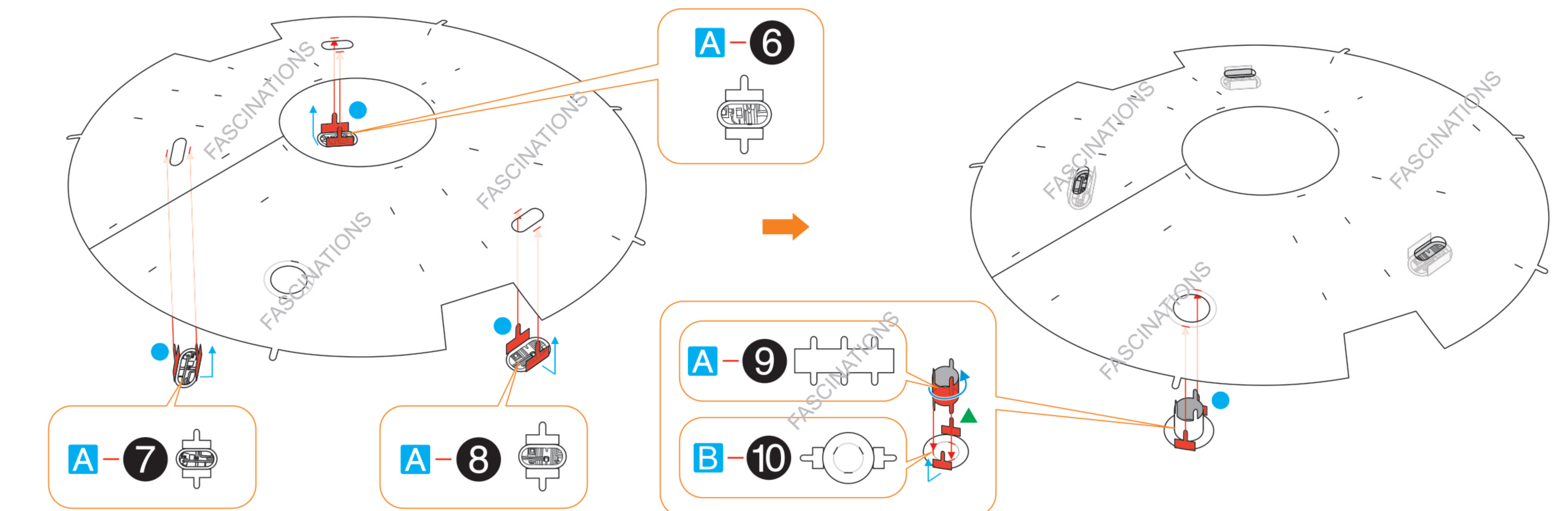
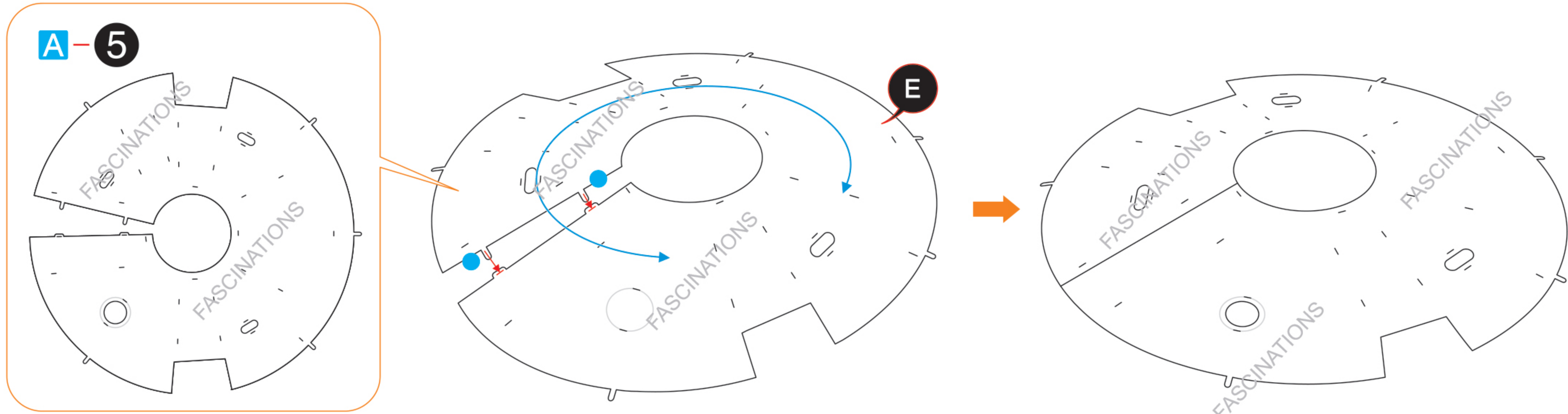
Step 1



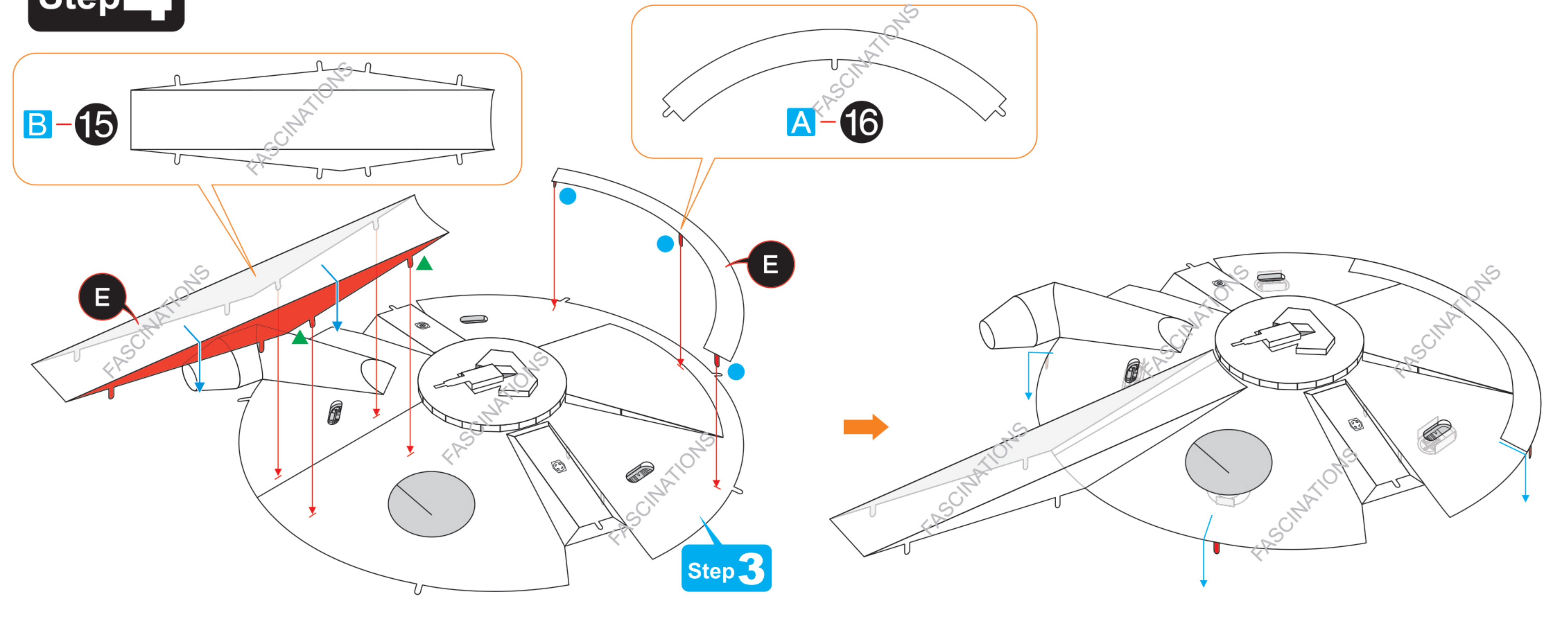
Step 2



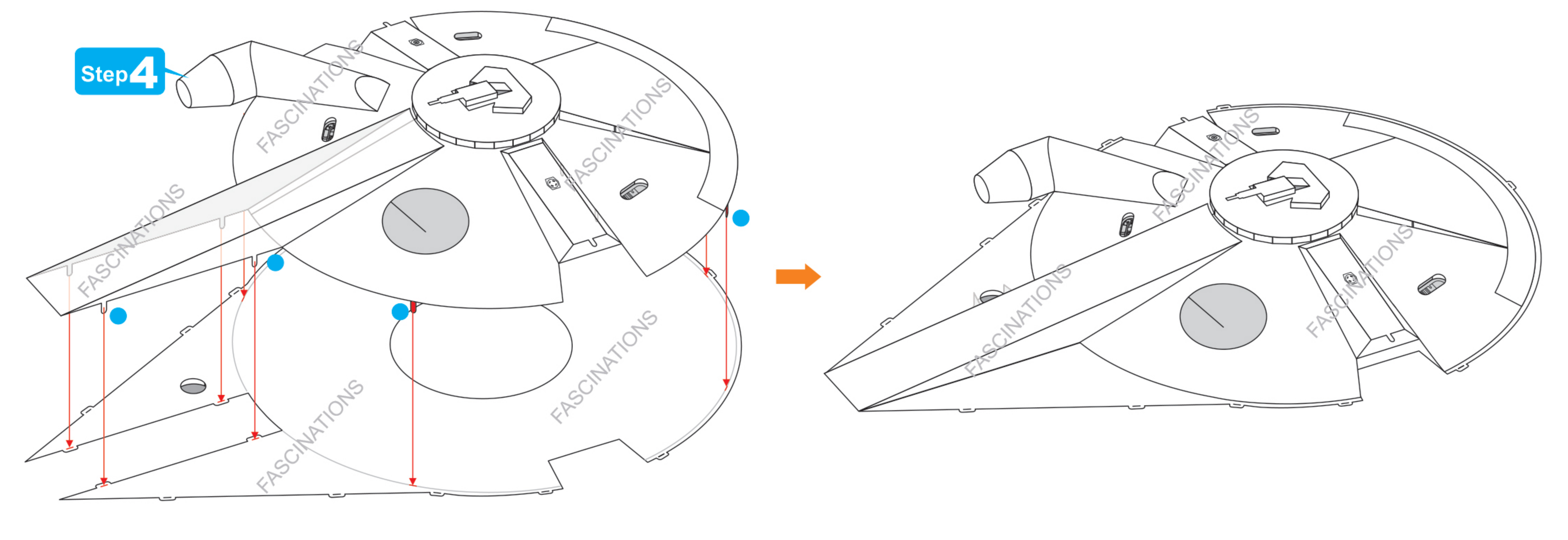
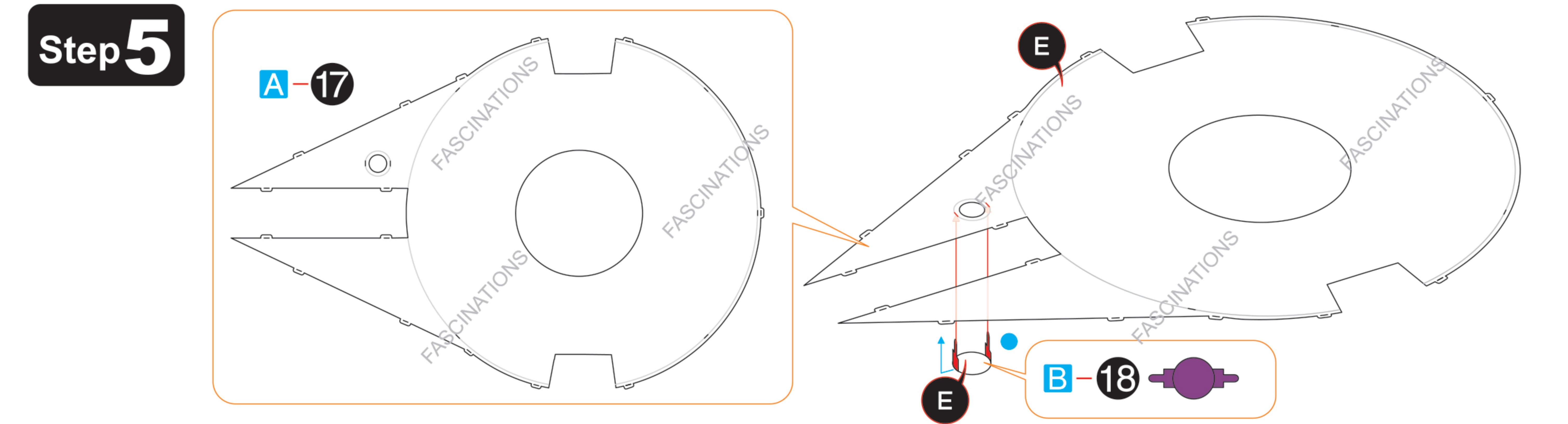
Step 3



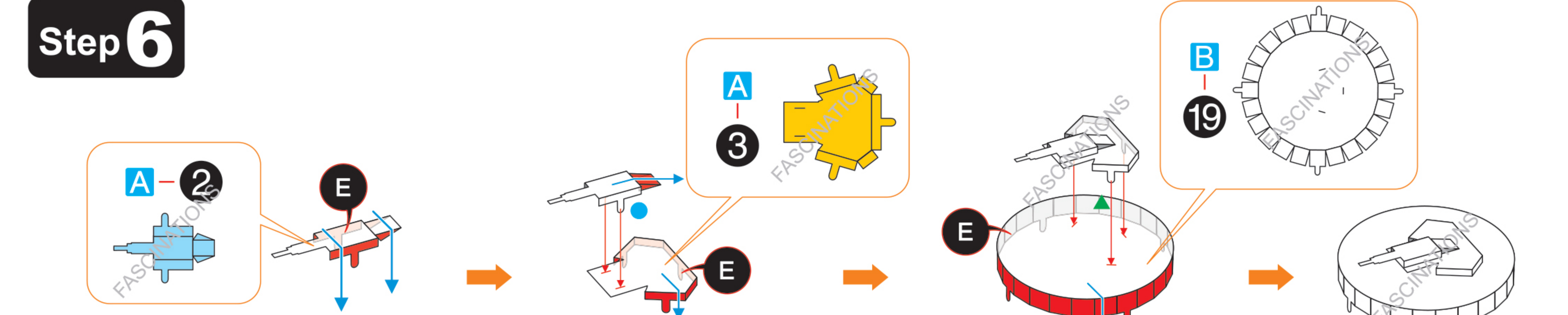
Step 4

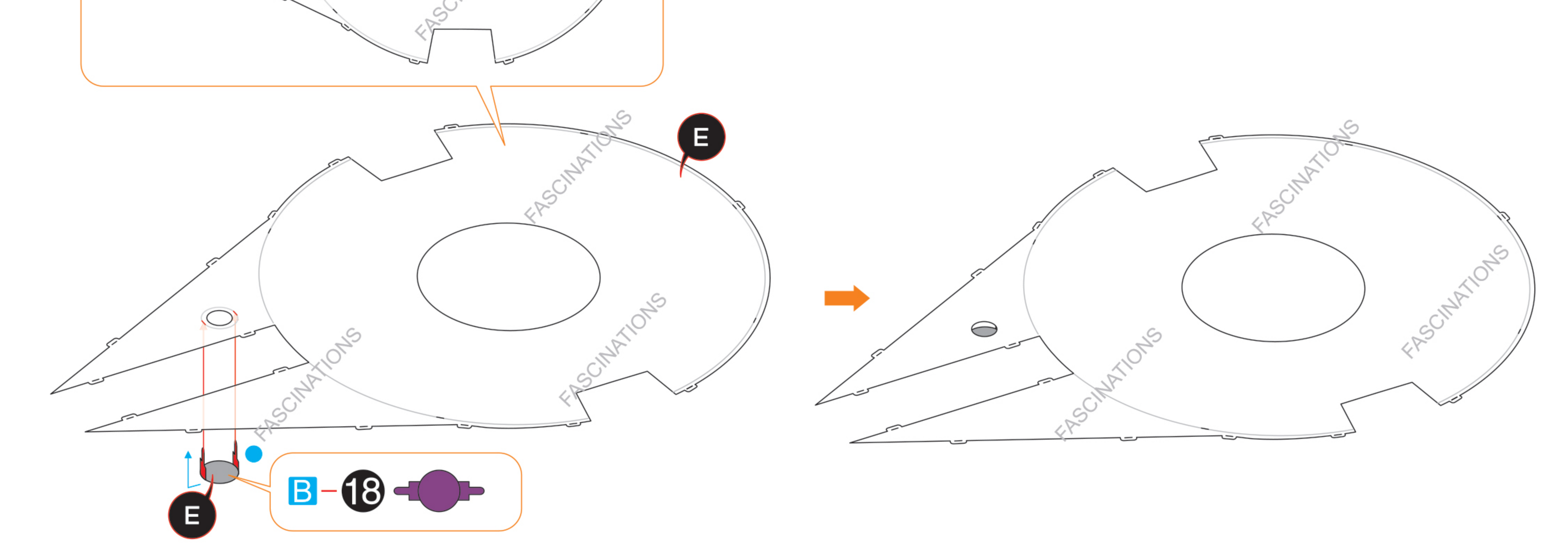
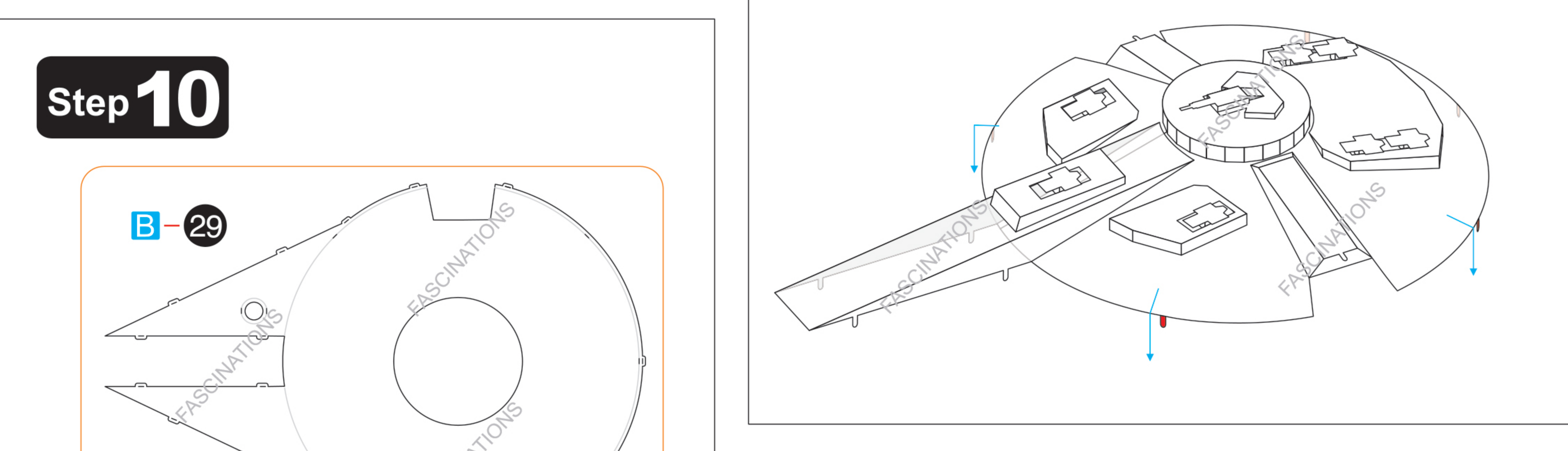
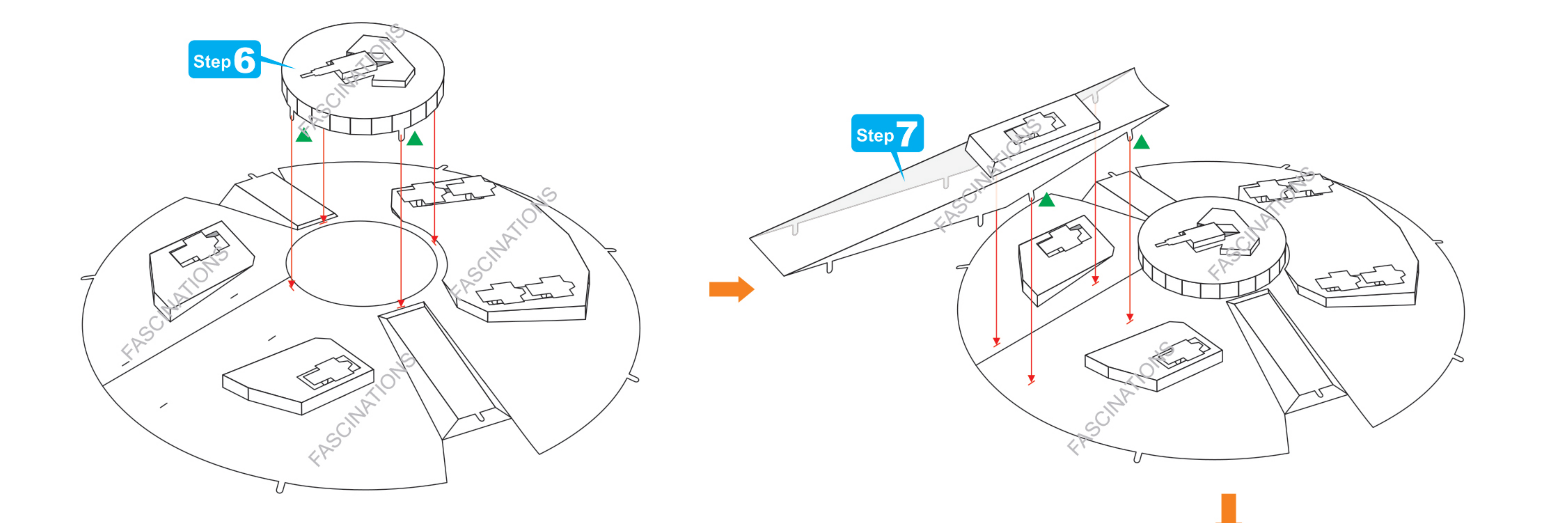
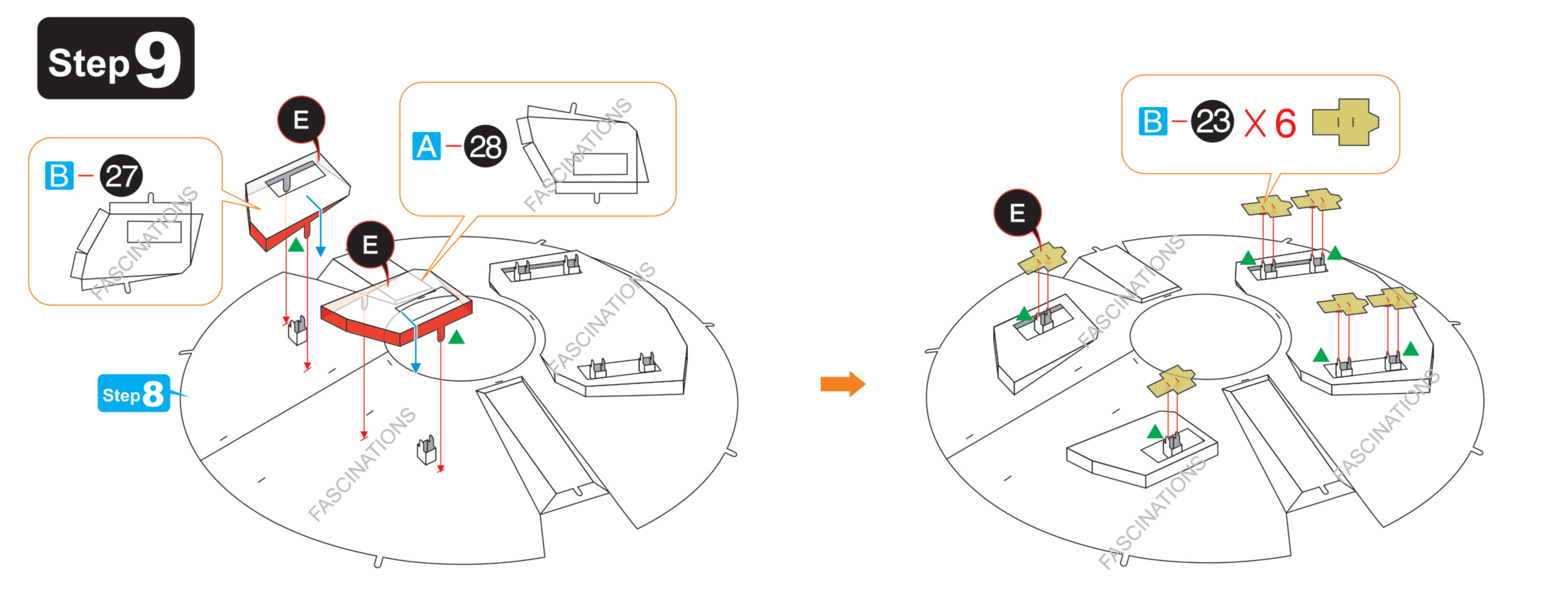
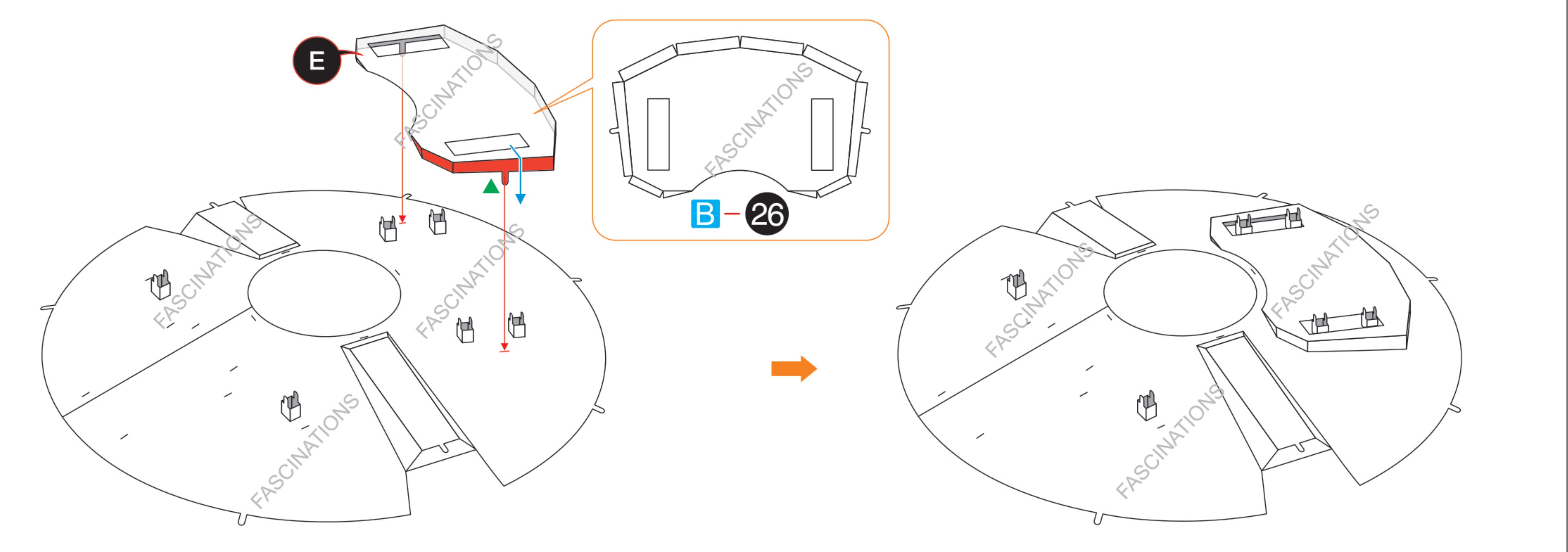
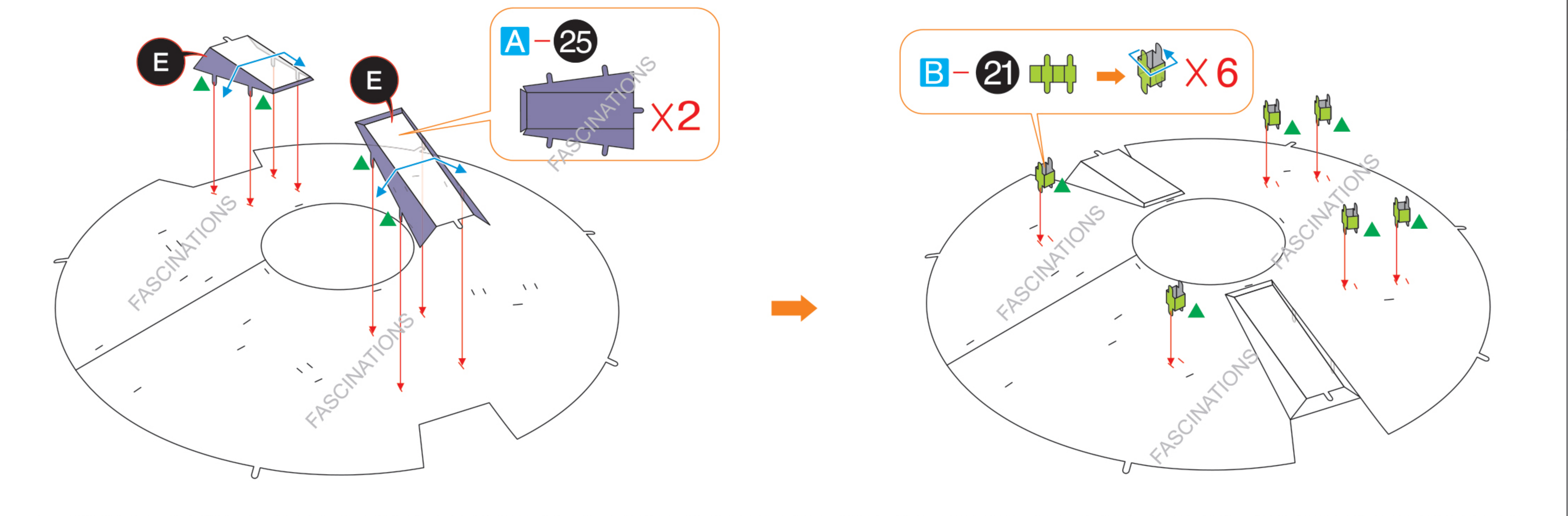
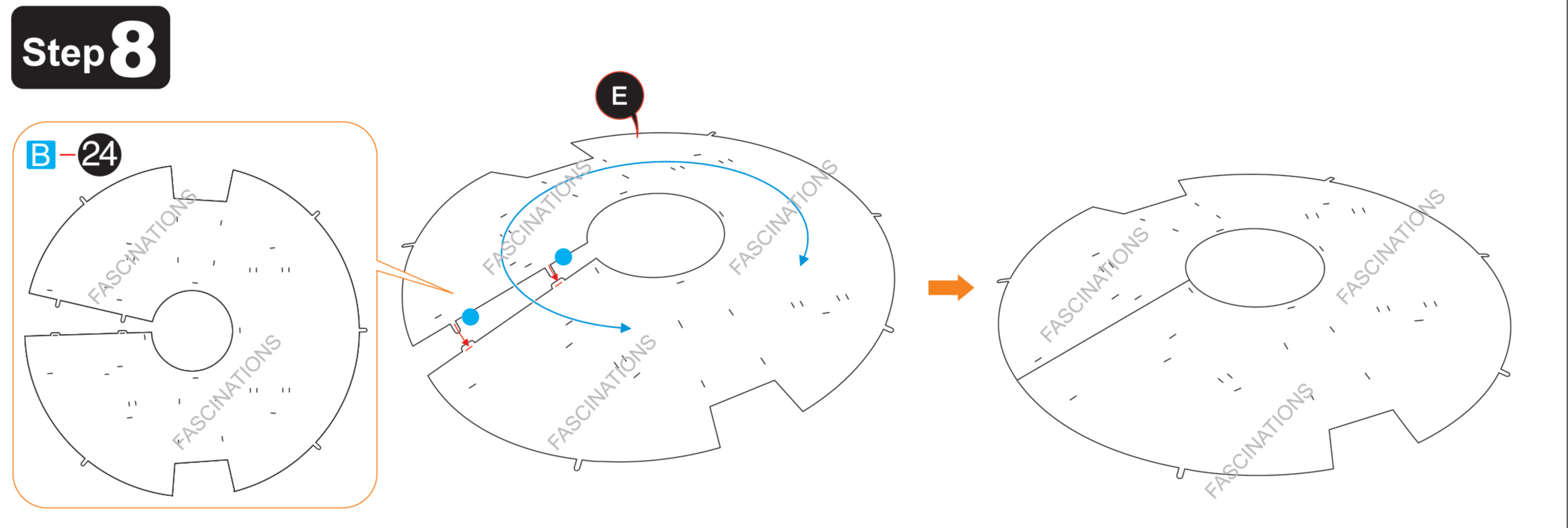
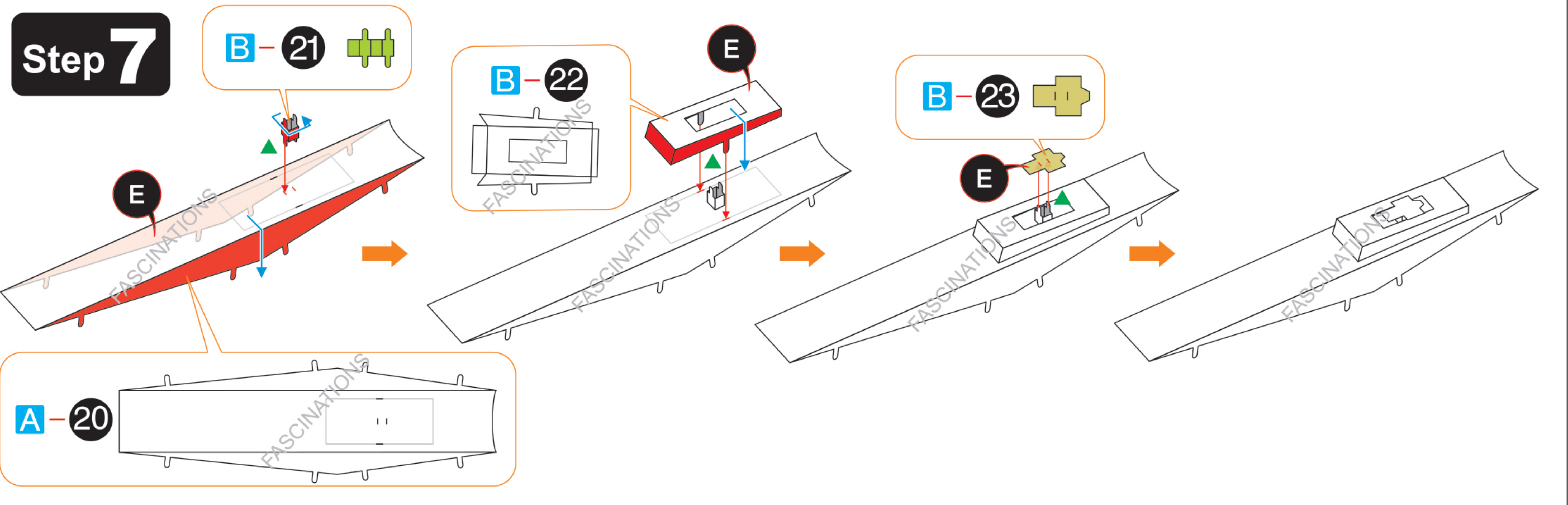


Step 5

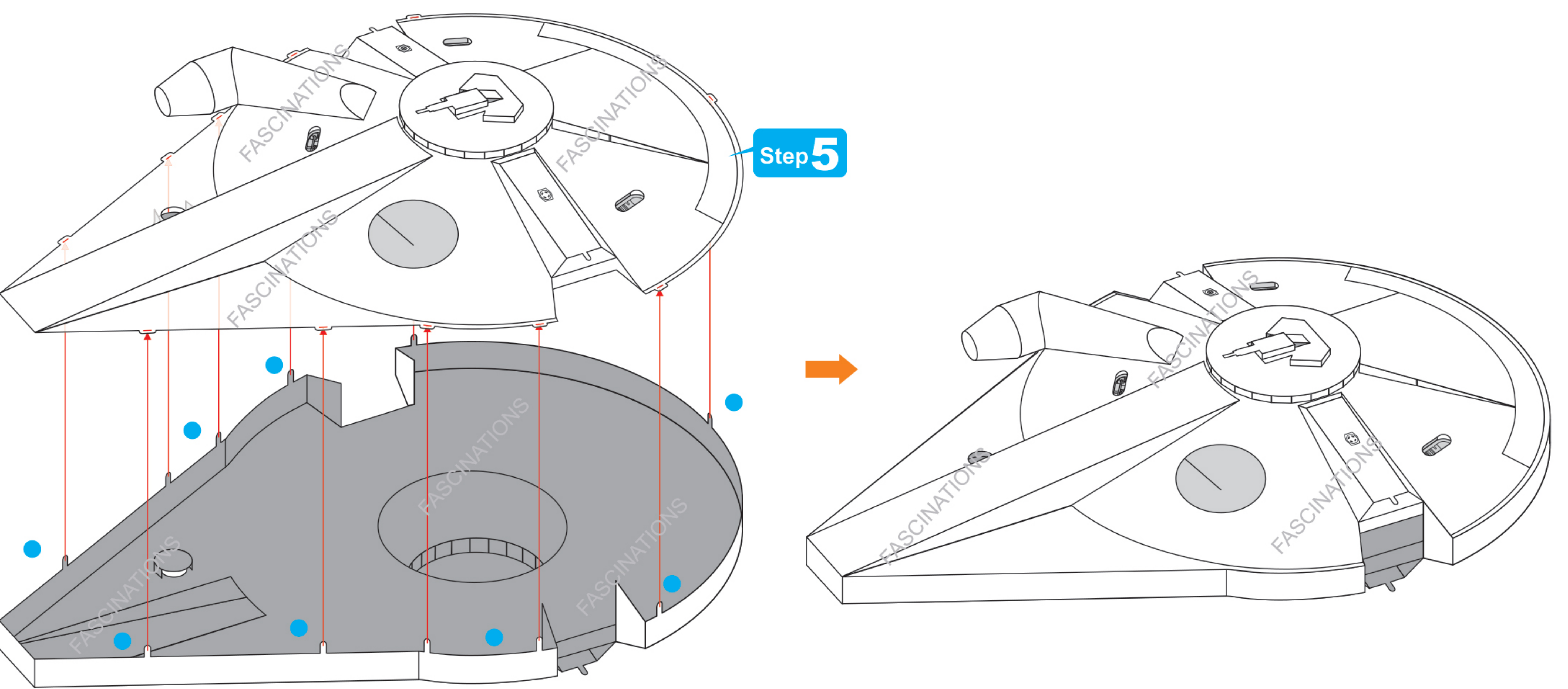
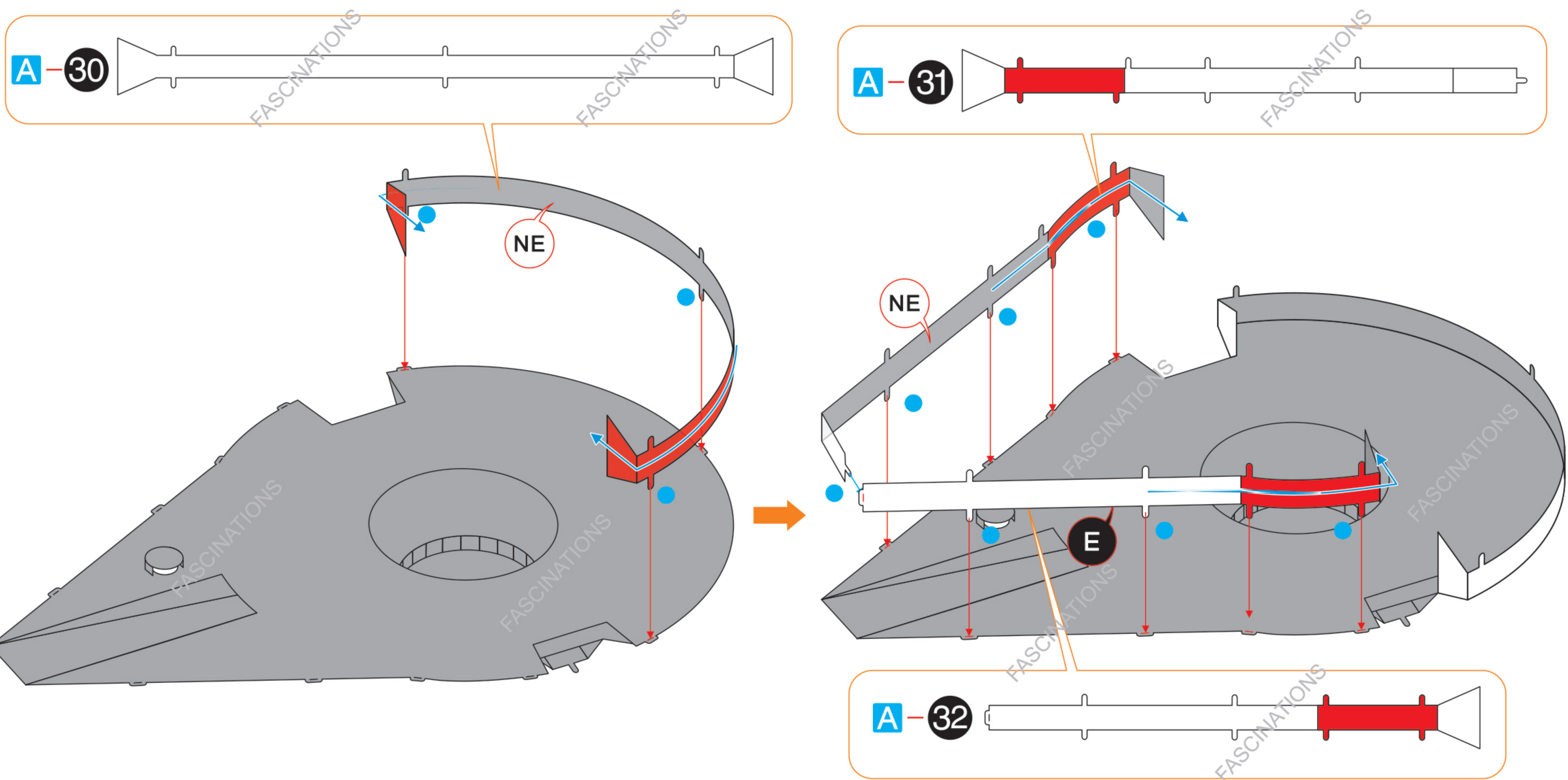
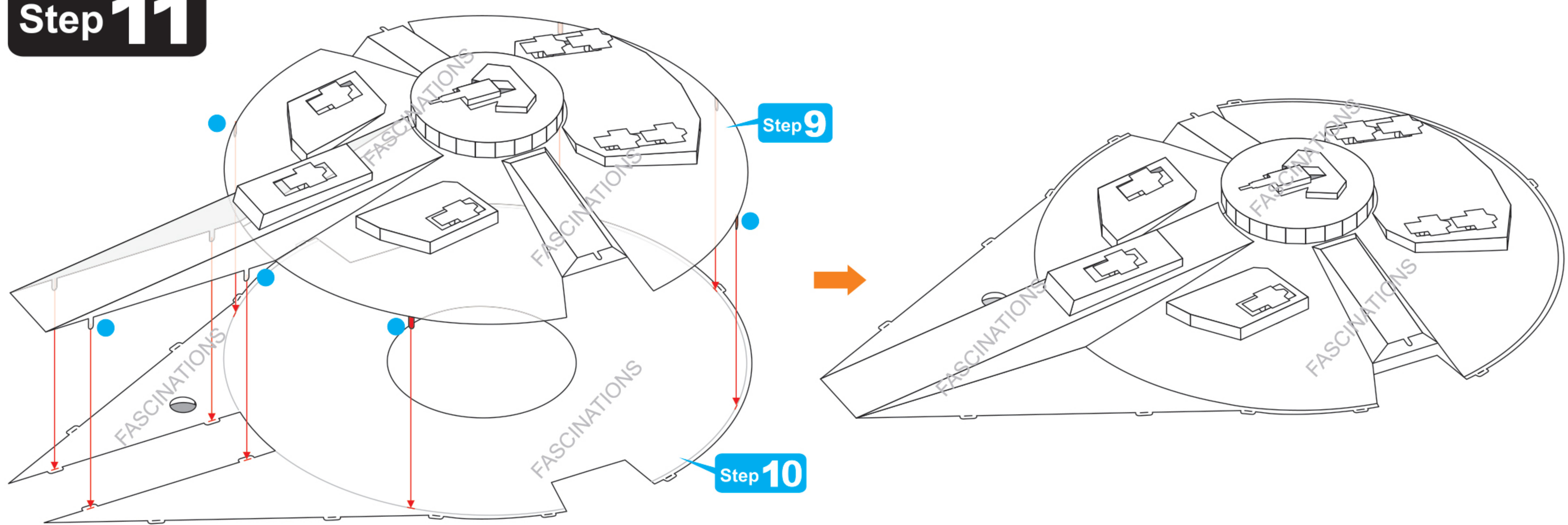


Step 6

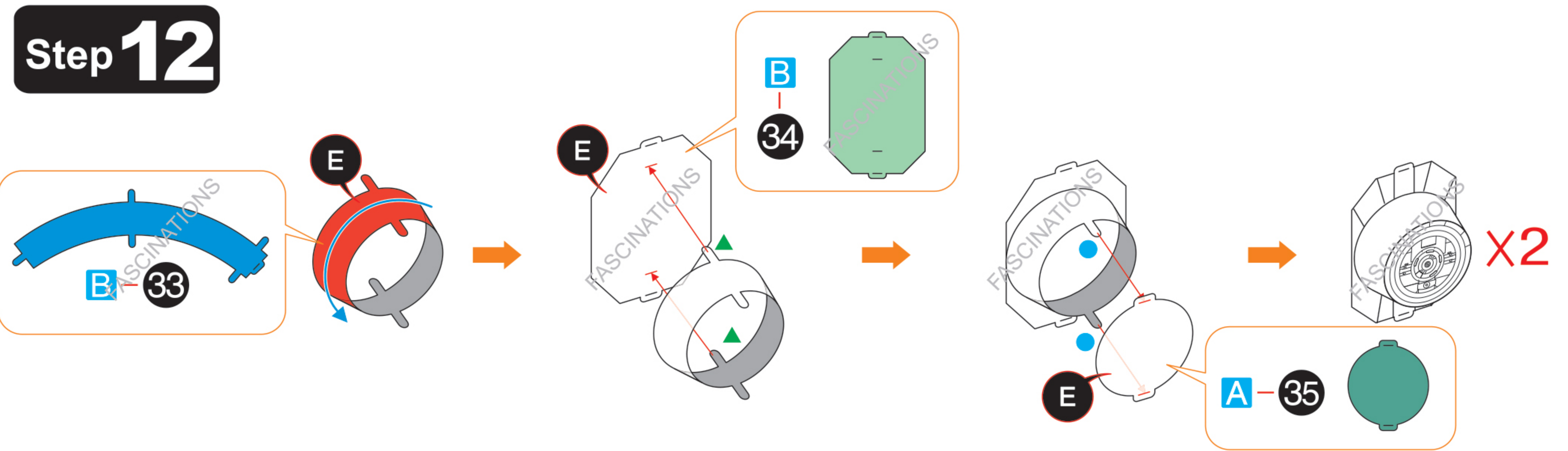




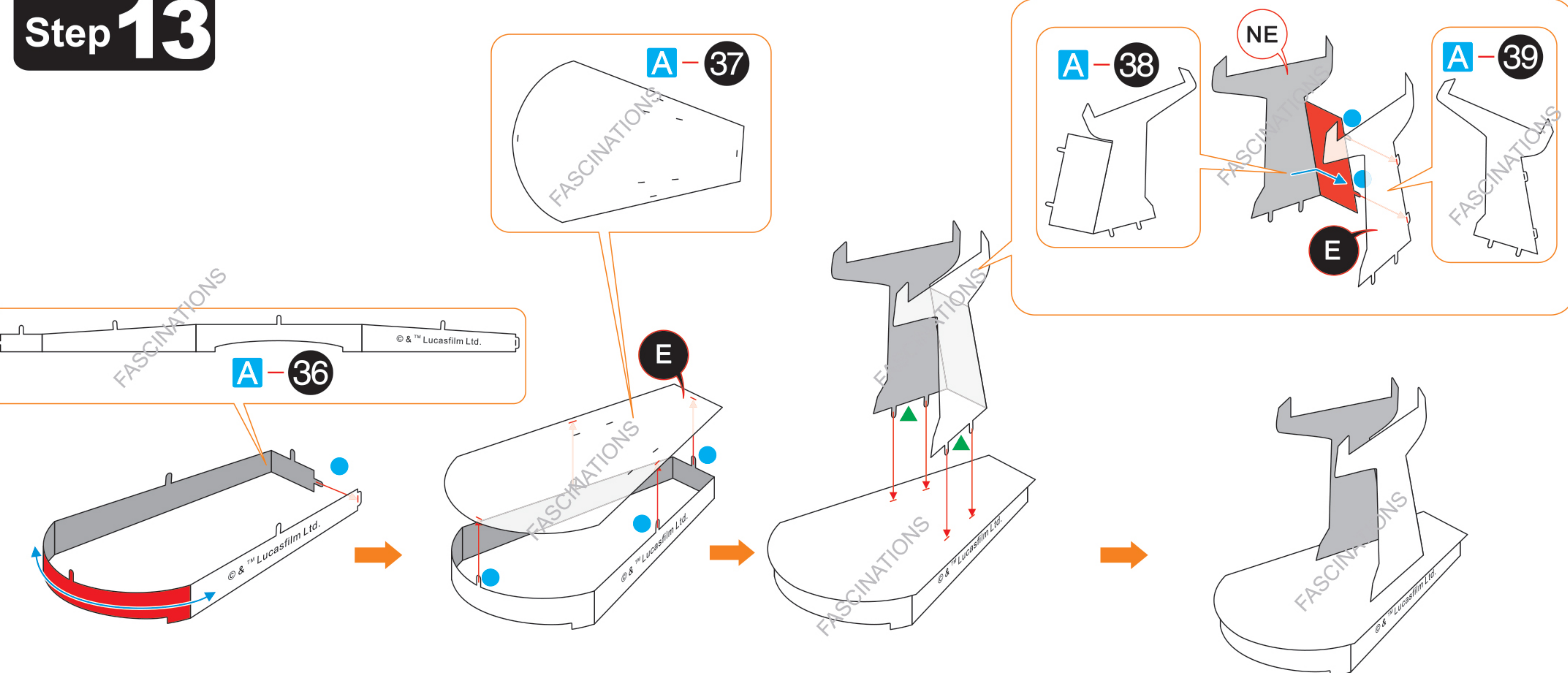
Step 11



Step 12



Step 13



Step 14

