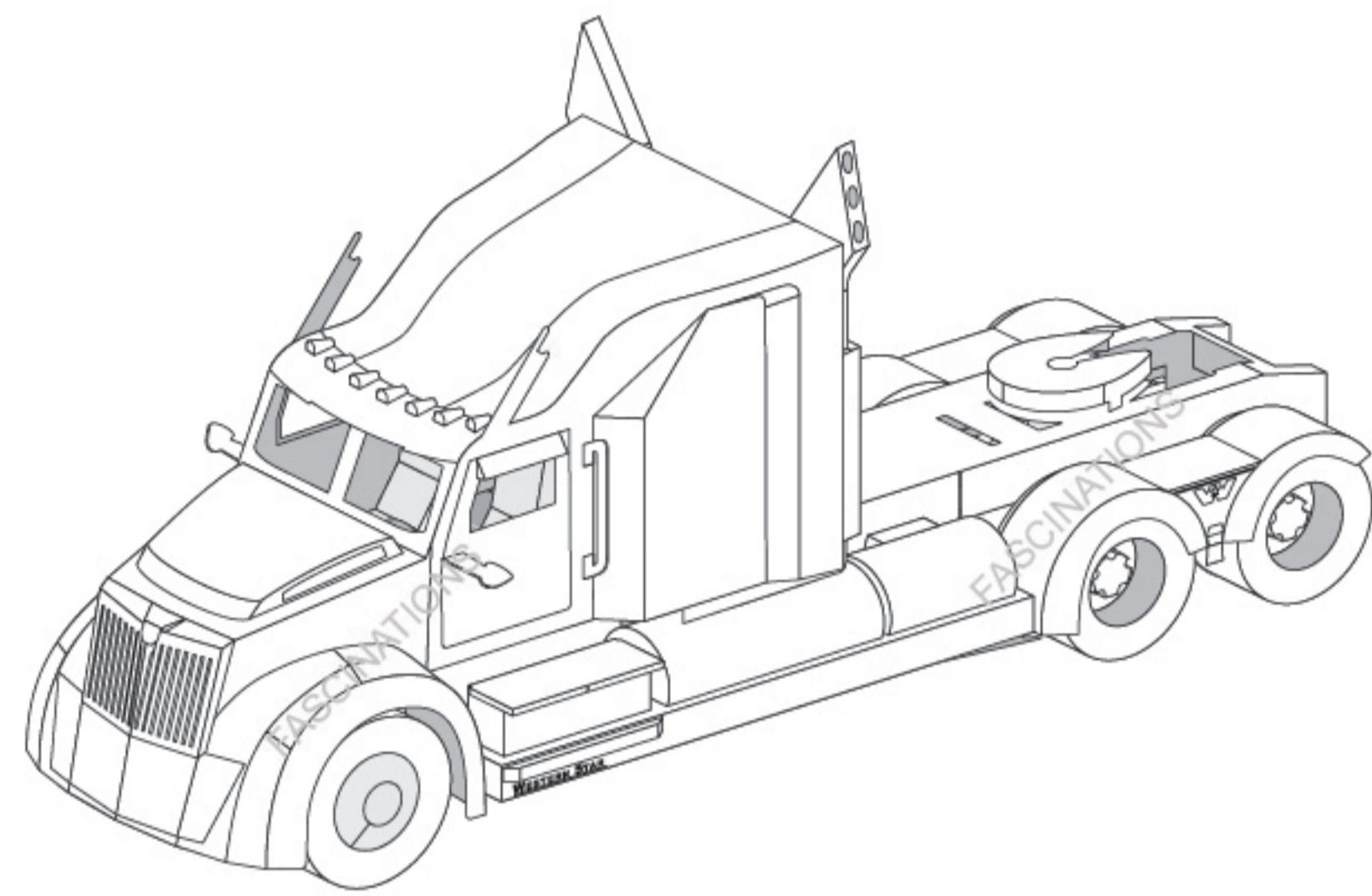




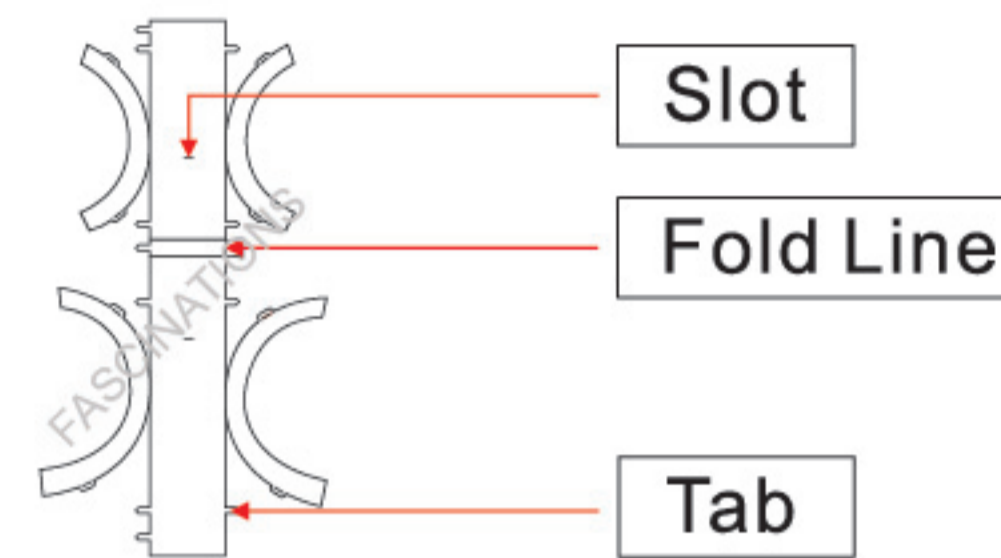
It is highly recommended that you visit [www.metalearth.com/360/icx203](http://www.metalearth.com/360/icx203) to see the completed model before assembling your own

3D METAL MODEL KITS

## ICX203 OPTIMUS PRIME TRUCK™



### TO CREATE THE BEST CONNECTIONS



**Legends:**

- Engraved / Color side
- Non-engraved / Silver side
- Attention point
- Insert tab and bend 90 degrees
- Insert tab and twist 90 degrees

**Assembly tip:**

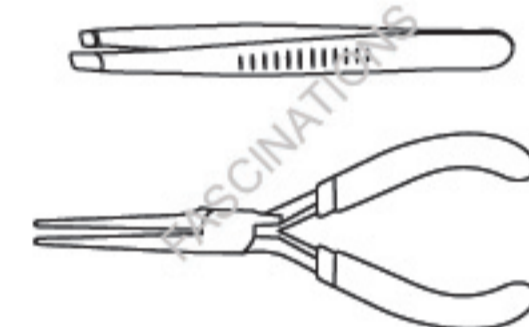
If needed, slightly twist tabs to hold parts together then untwist and bend them down for a nice finish

**Recommended tools:**

-Wire cutters: helpful for taking parts from the metal sheets.

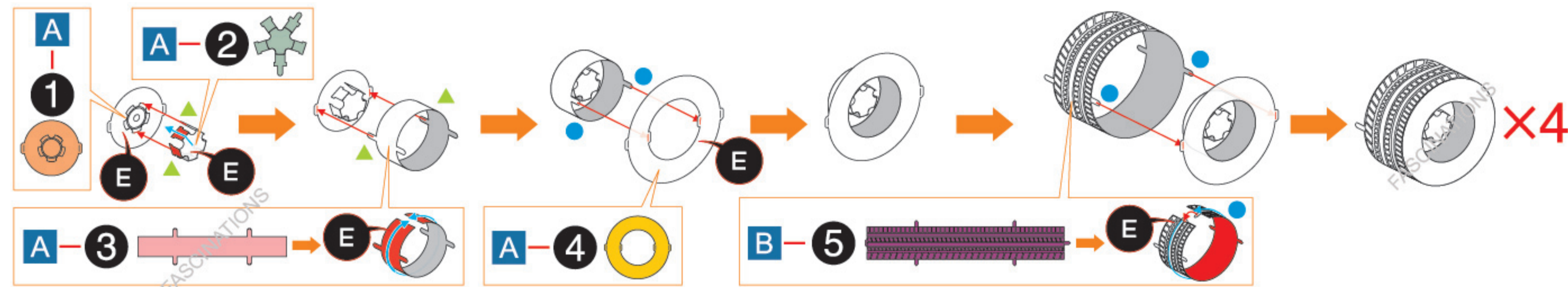


-Tweezers or needle nose pliers: helpful for folding parts, bending and twisting tabs.

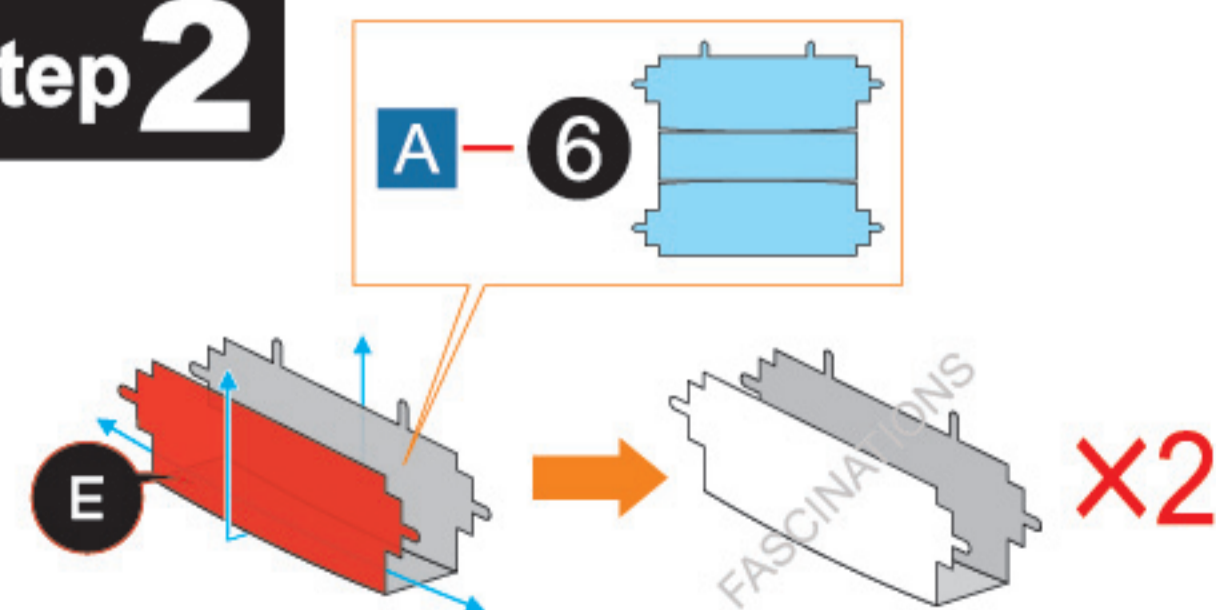


### ASSEMBLY STEPS

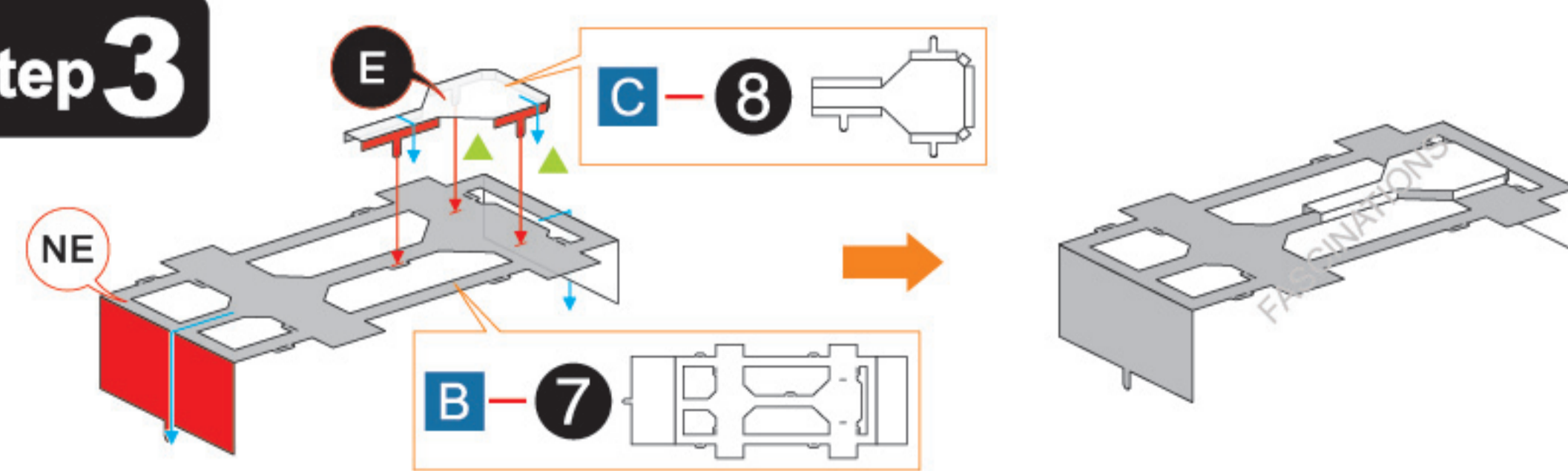
#### Step 1



#### Step 2



#### Step 3



In order to avoid possible injury from sharp edges, please carefully discard the metal sheets after parts have been removed.

### METAL SHEETS

