

Western Star 4900 Log Truck

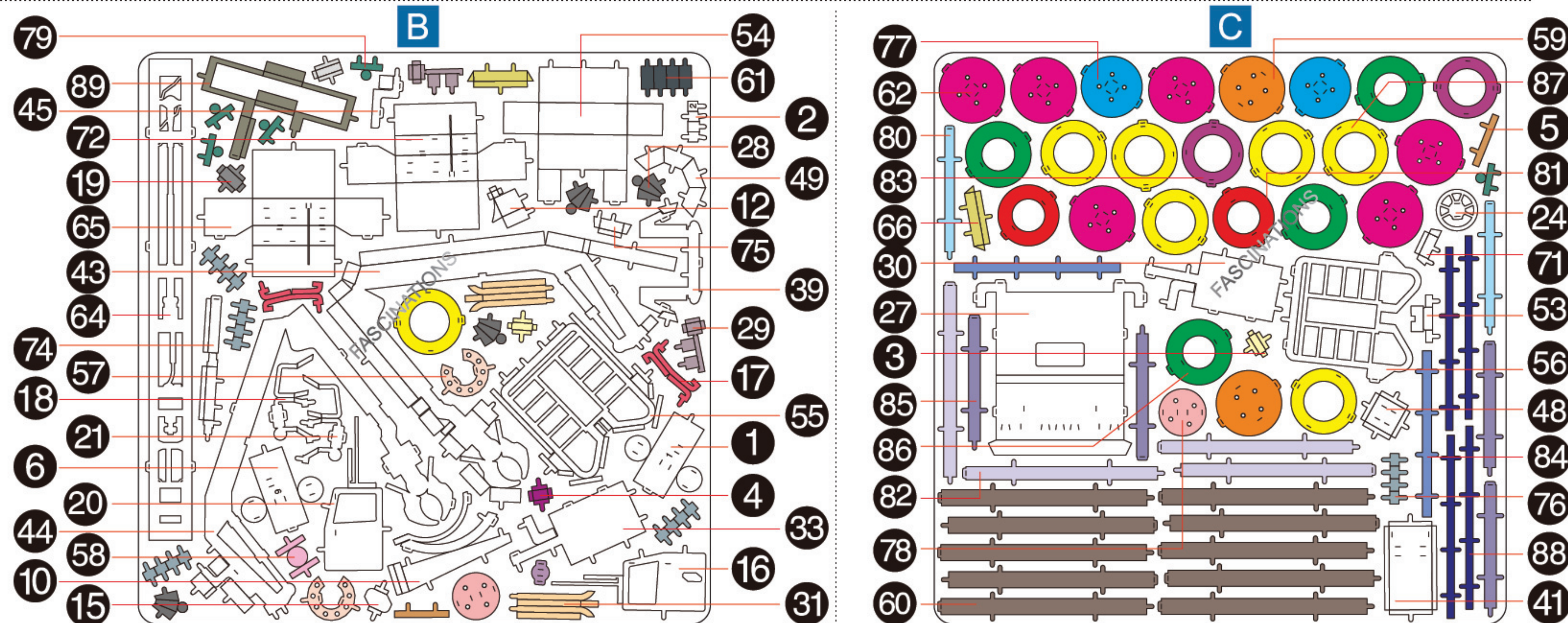
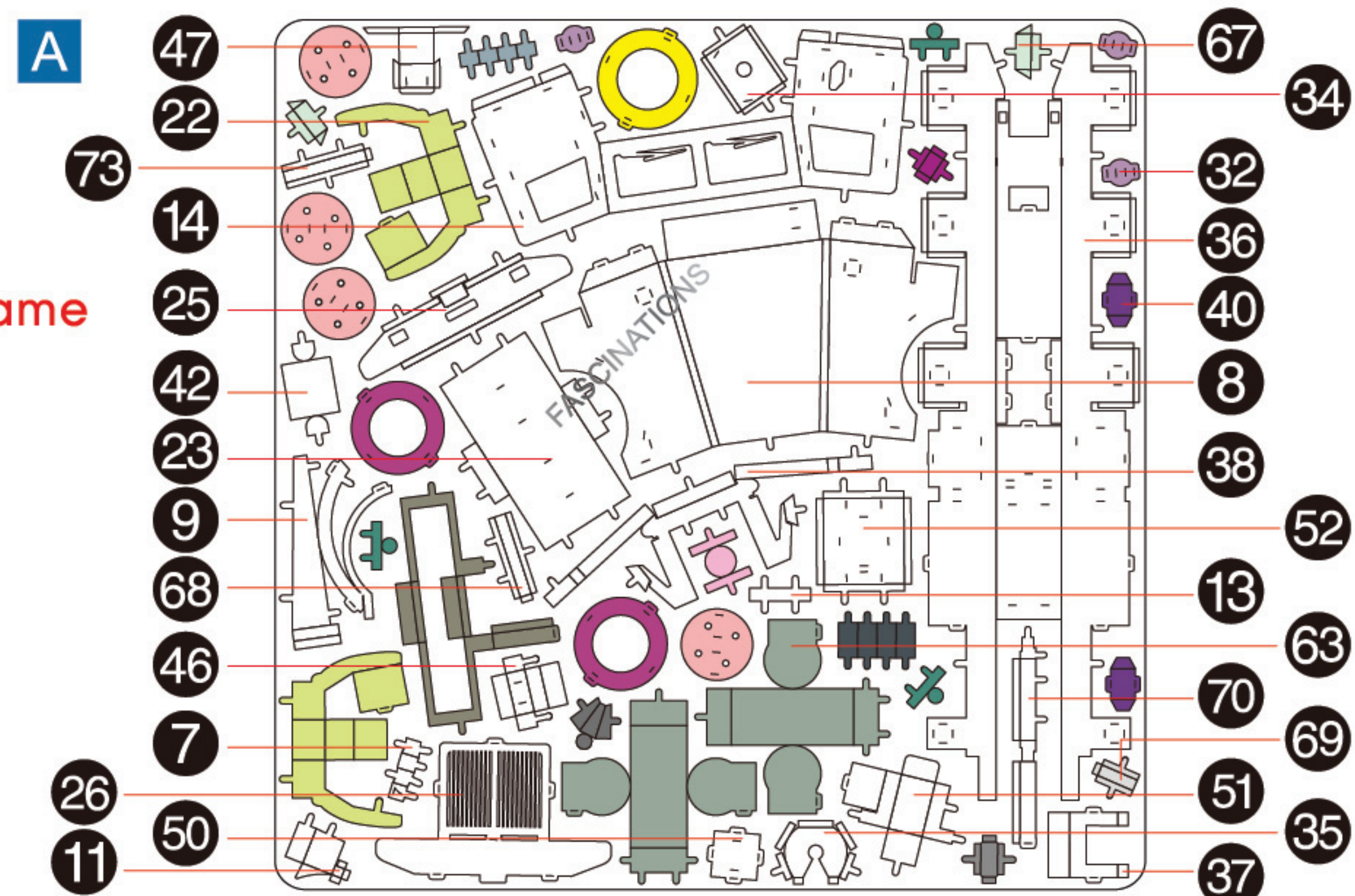
Item No. MMS178



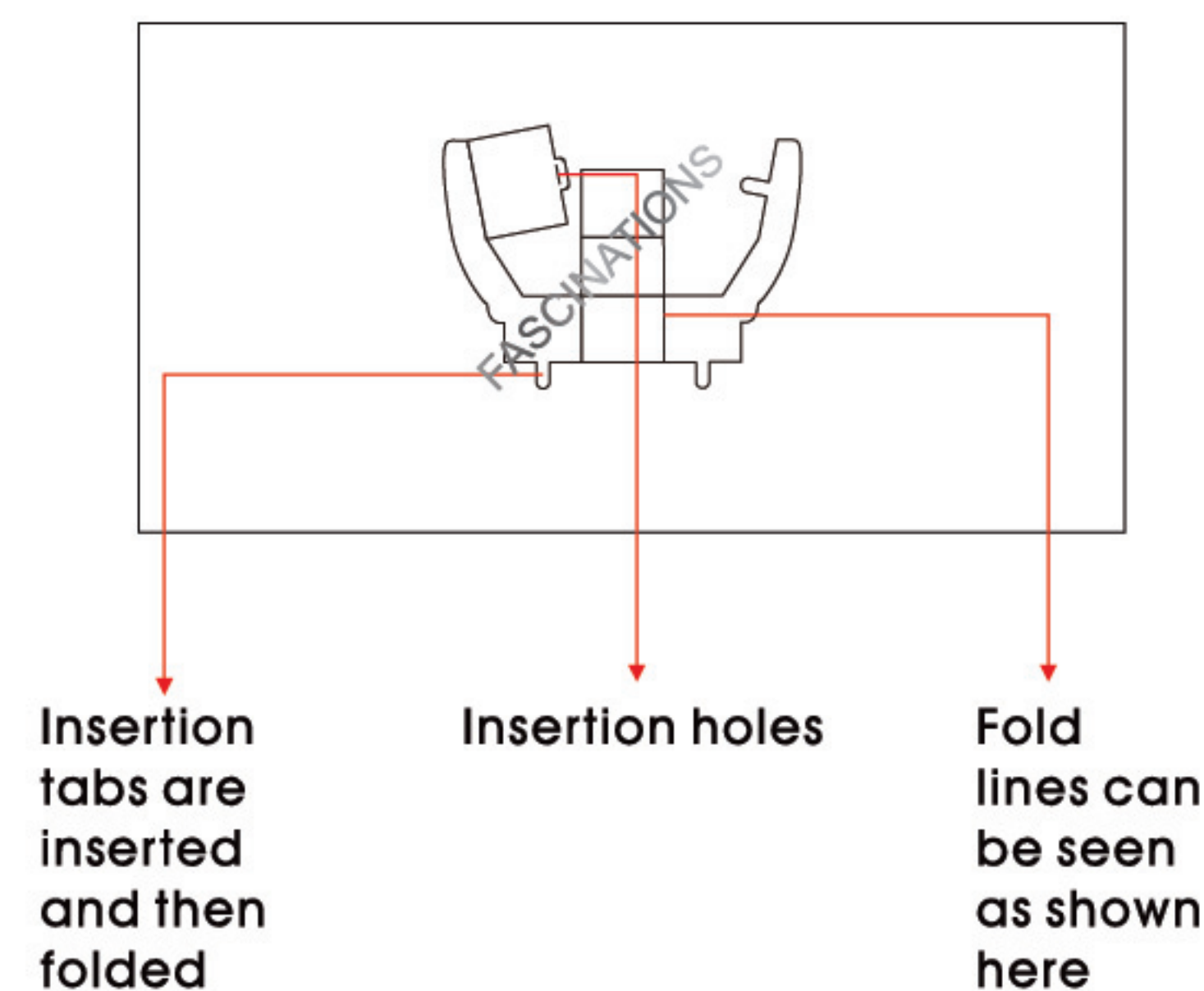
It is highly recommended that you visit www.metalearth.com/360/mms178 to see the completed model before assembling your own

Metal sheets

Parts that are in the same color are duplicates



In order to avoid possible injury from sharp edges, please carefully discard the metal sheets after parts have been removed



Legends:

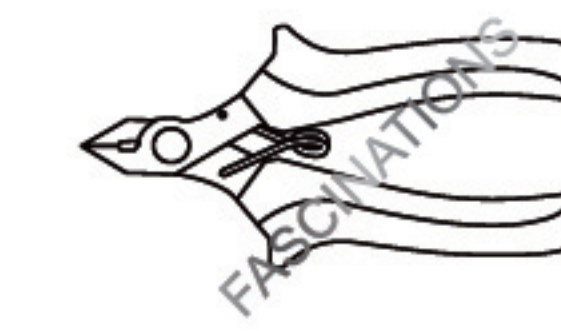
- Engraved/Color side
- Non-engraved side
- Attention point
- Insert tab and bend 90 degrees
- Insert tab and twist 90 degrees

Assembly tip:

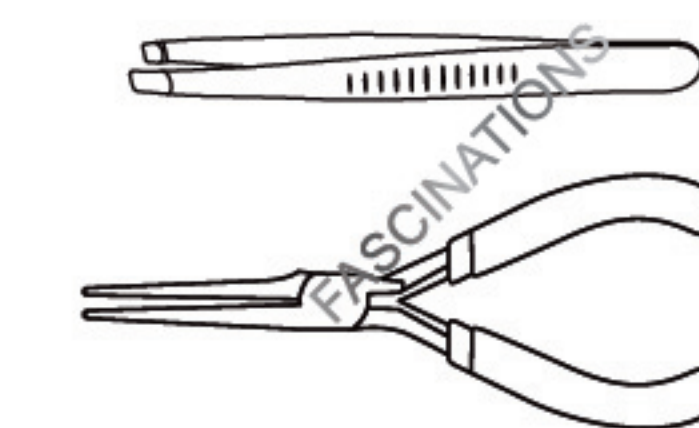
If needed, slightly twist tabs to hold parts together then untwist and bend them down for a nice finish

Recommended tools:

-Wire cutters: helpful for taking parts from the metal sheets.



-Tweezers or needle nose pliers: helpful for folding parts, bending and twisting tabs.



Assembly Flow Chart

