

LEGENDS

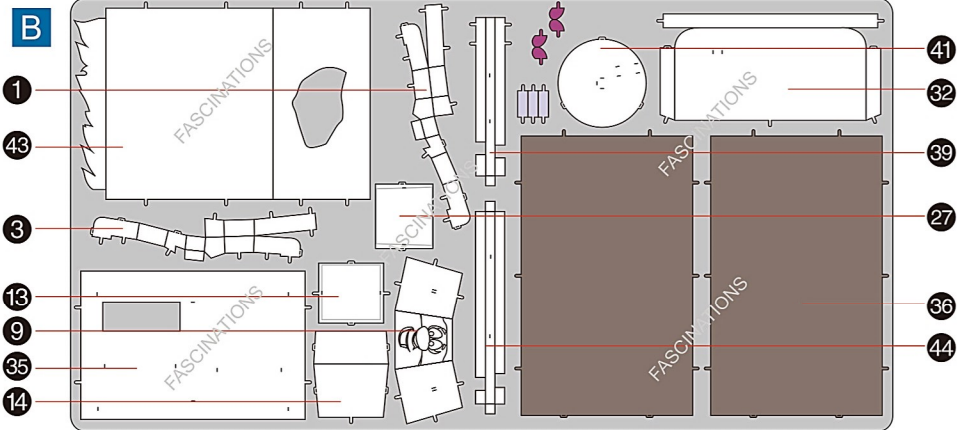
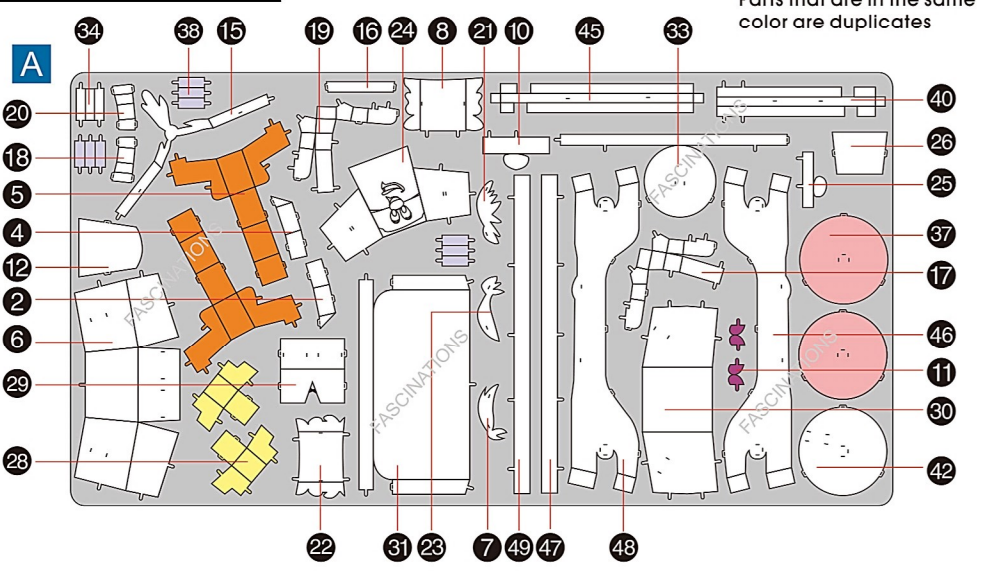


It is highly recommended that you visit www.metalearth.com/360/mem065 to see the completed model before assembling your own

Metal Earth

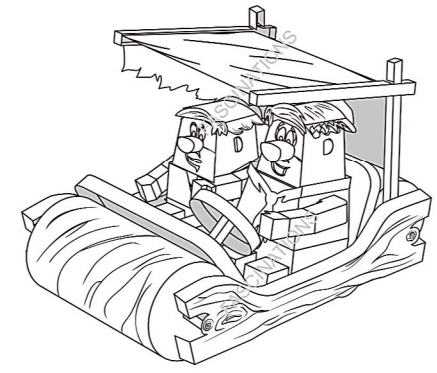
3D METAL MODEL KITS

METAL SHEETS



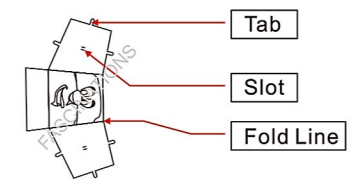
! In order to avoid possible injury from sharp edges, please carefully discard the metal sheets after parts have been removed.

MEM065



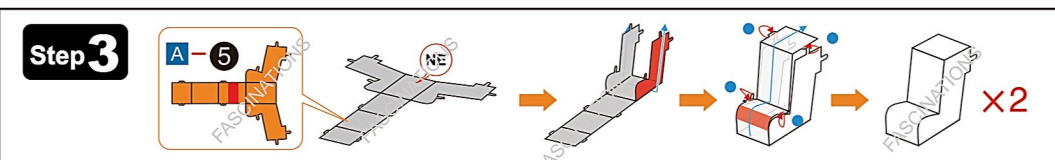
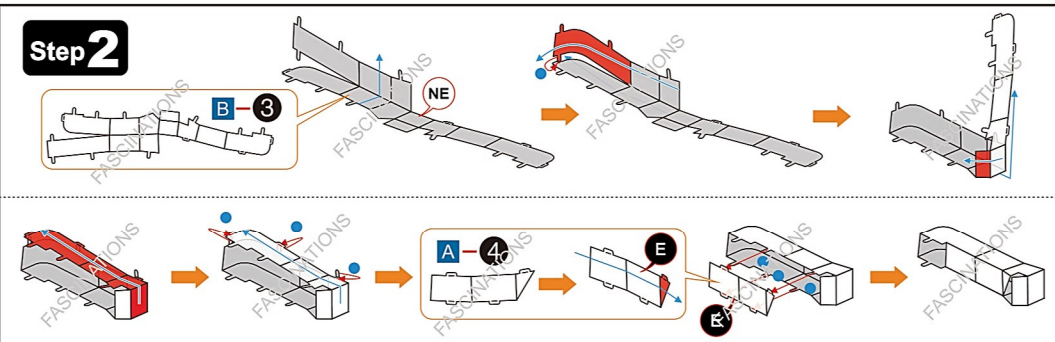
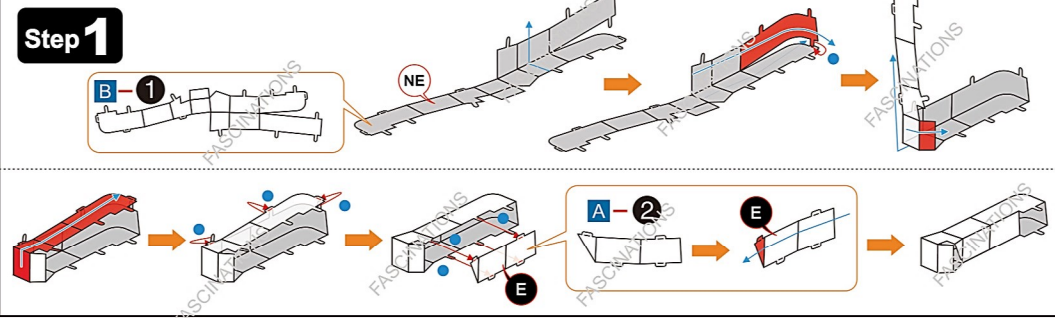
Flintstones

TO CREATE THE BEST CONNECTIONS

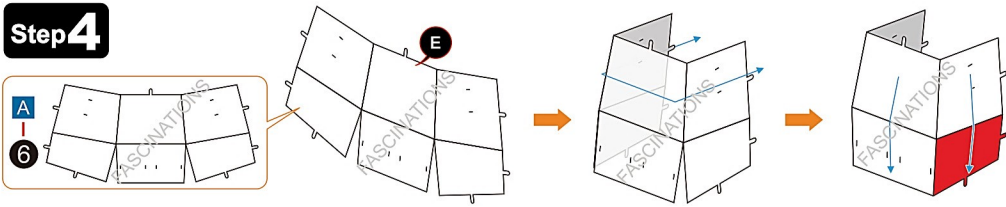


- Legends:**
- E** Engraved/Color side
 - NE** Non-engraved/Silver side
 - !** Attention point
 - Insert tab and bend 90 degrees
 - ▲** Insert tab and twist 90 degrees
- Recommended tools:**
- Wire cutters: helpful for taking parts from the metal sheets.
 - Tweezers or needle nose pliers: helpful for folding parts, bending and twisting tabs.

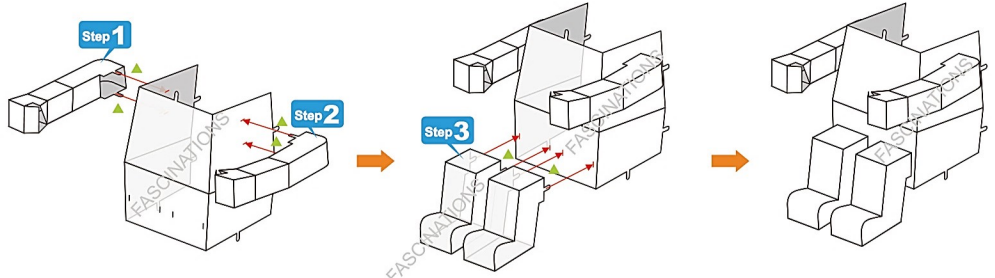
ASSEMBLY STEPS



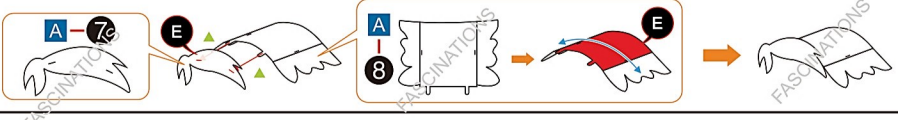
Step 4



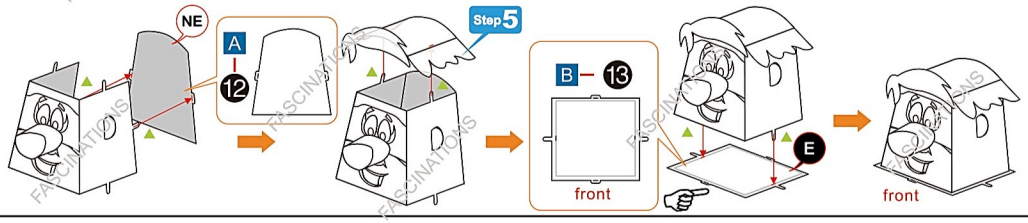
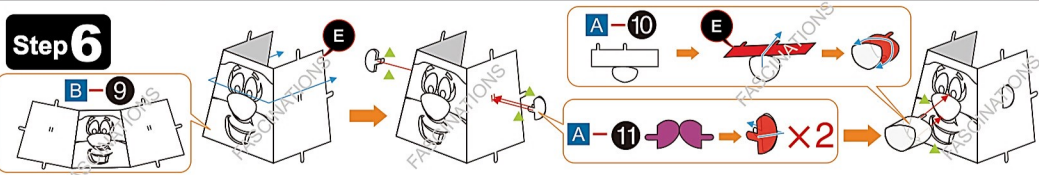
Step 1



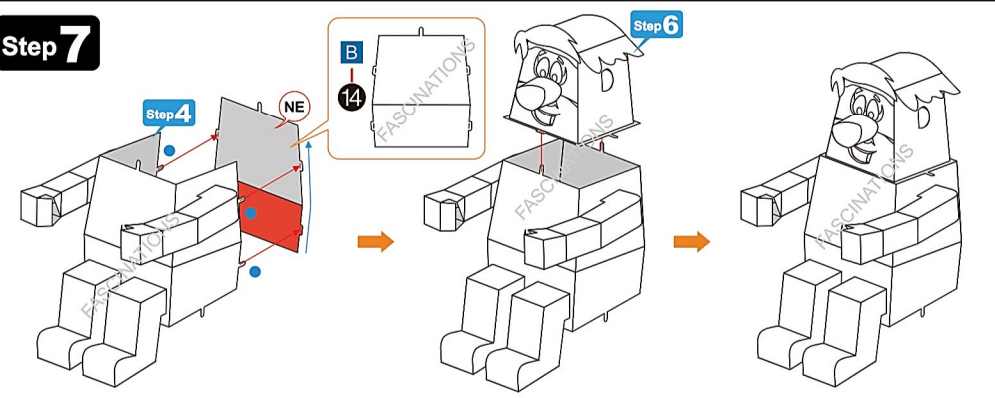
Step 5



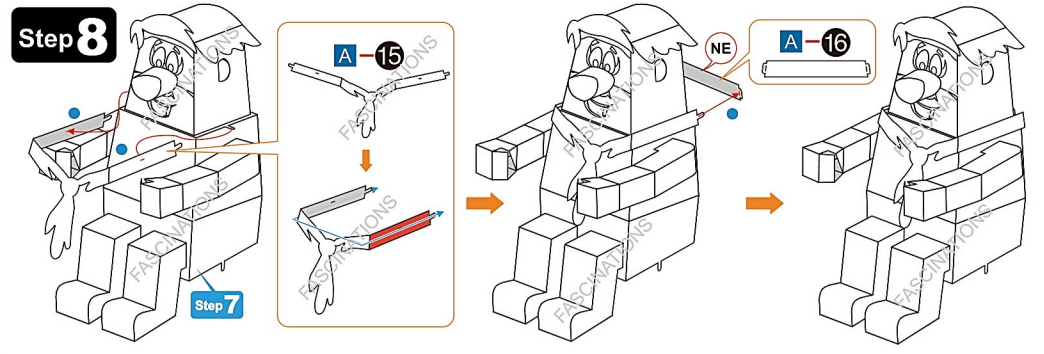
Step 6



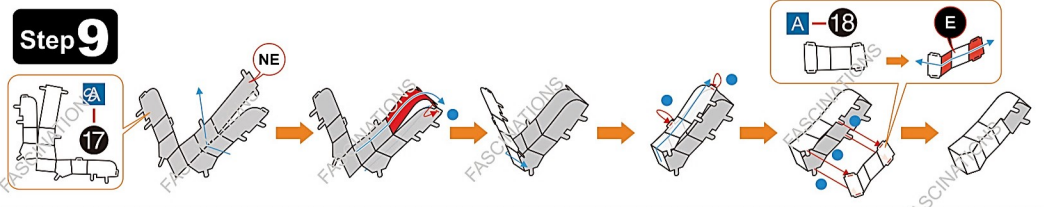
Step 7



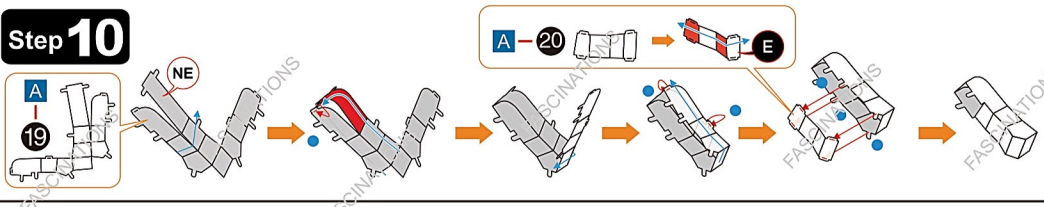
Step 8



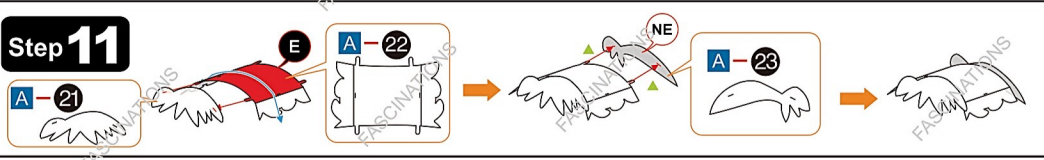
Step 9



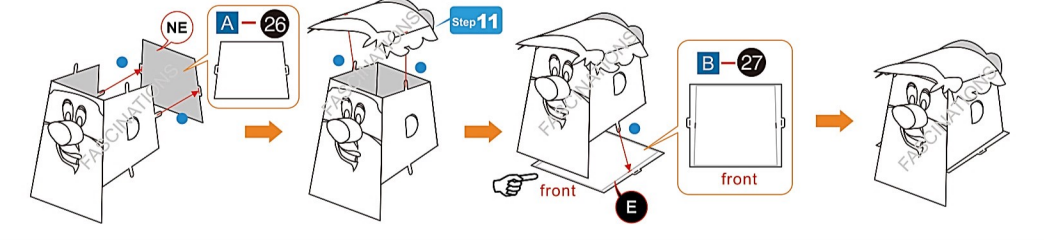
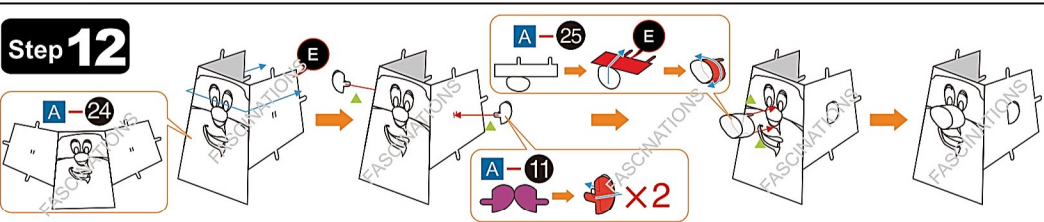
Step 10



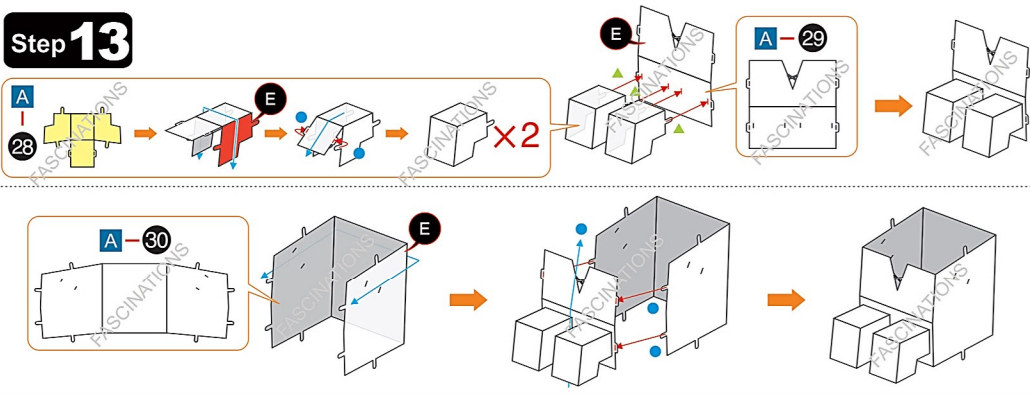
Step 11



Step 12

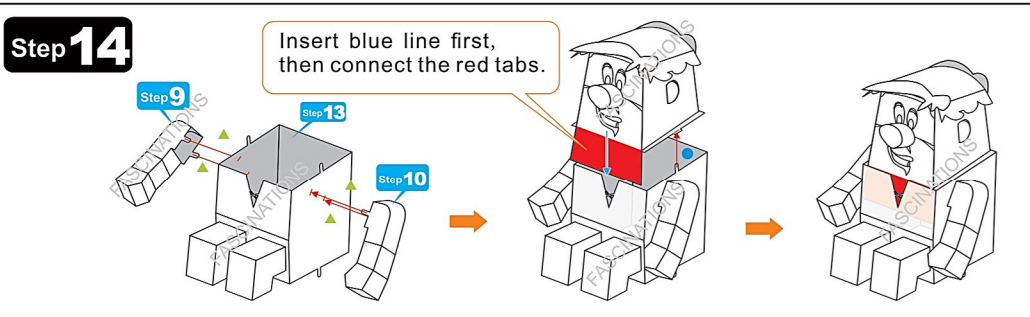


Step 13

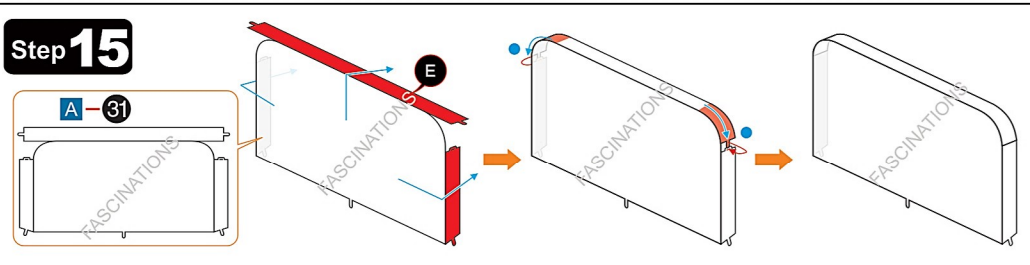


Step 14

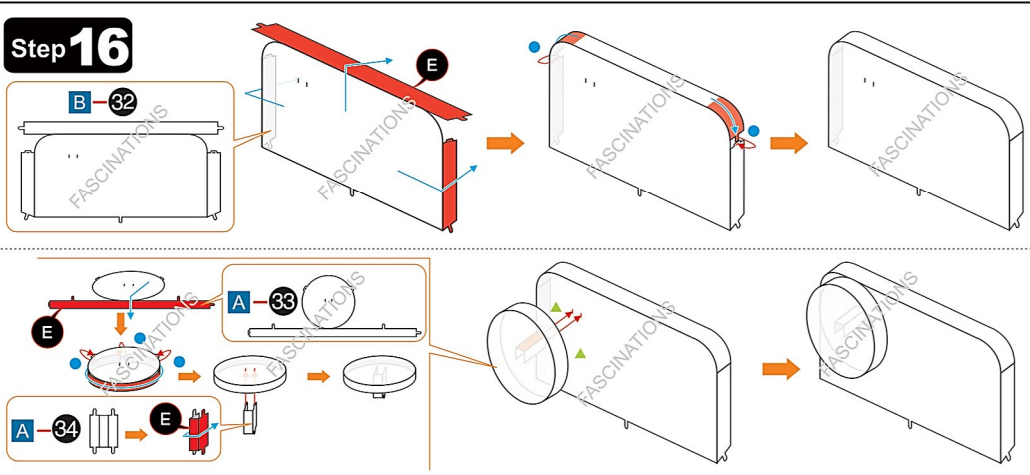
Insert blue line first, then connect the red tabs.



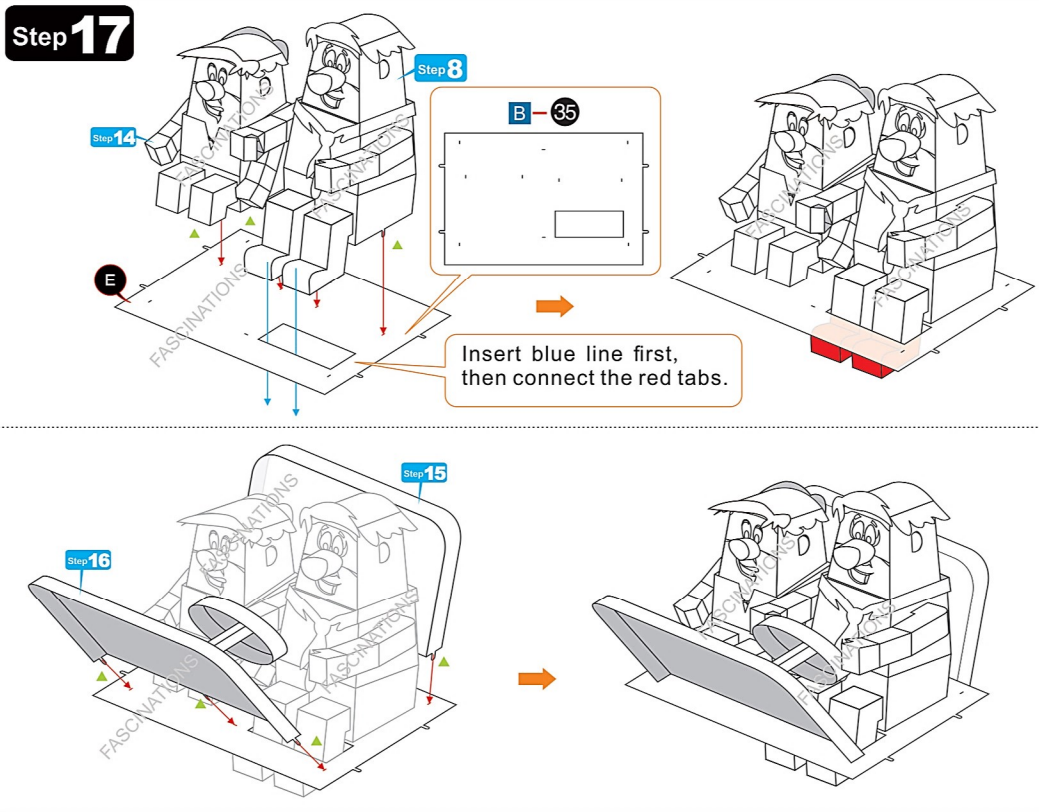
Step 15



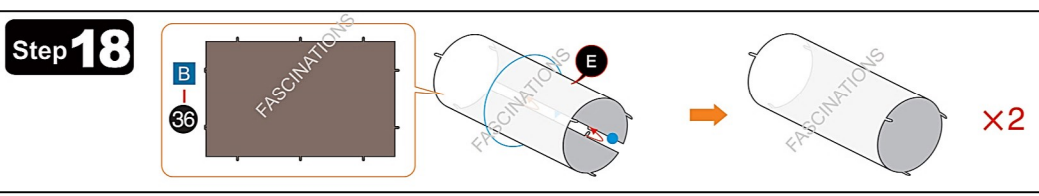
Step 16



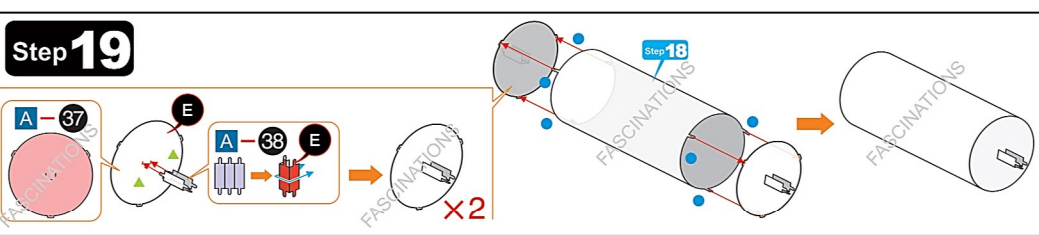
Step 17



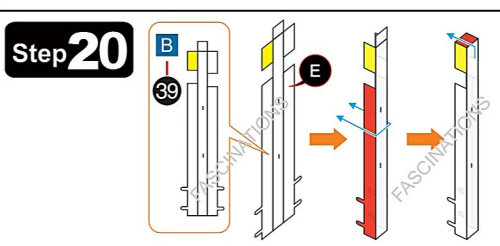
Step 18



Step 19



Step 20



Step 21

