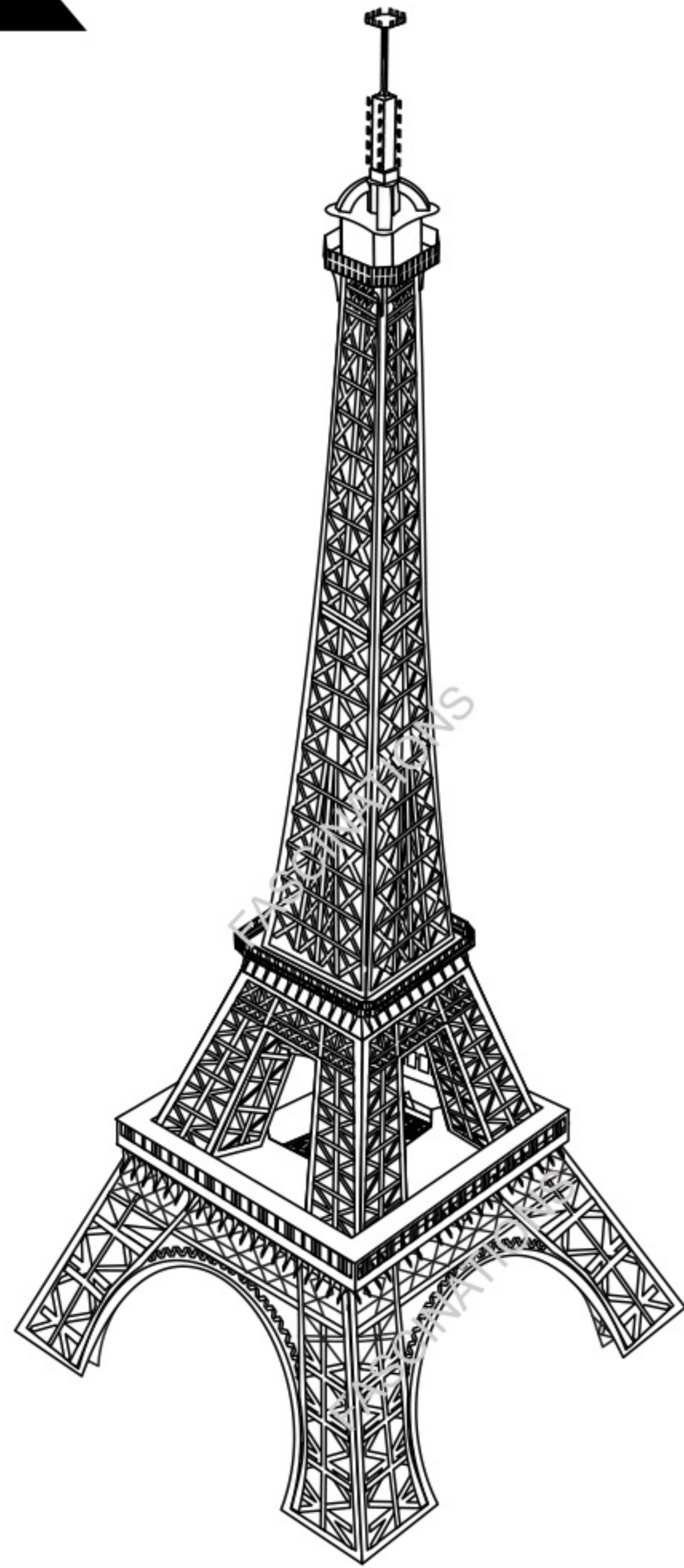


Eiffel Tower

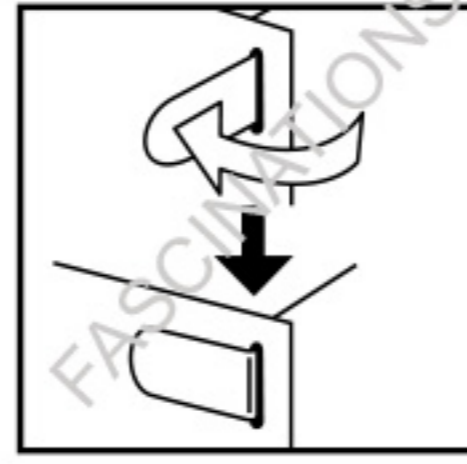
FASCINATIONS, INC.
Seattle, Washington, USA

MML016

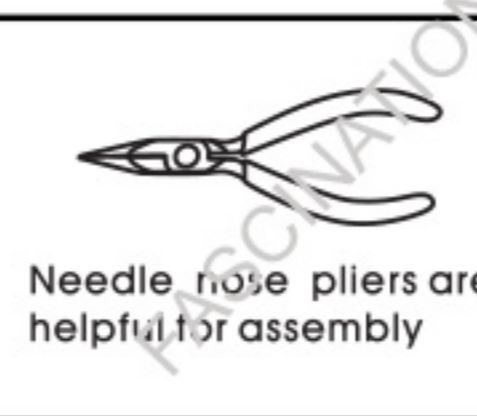
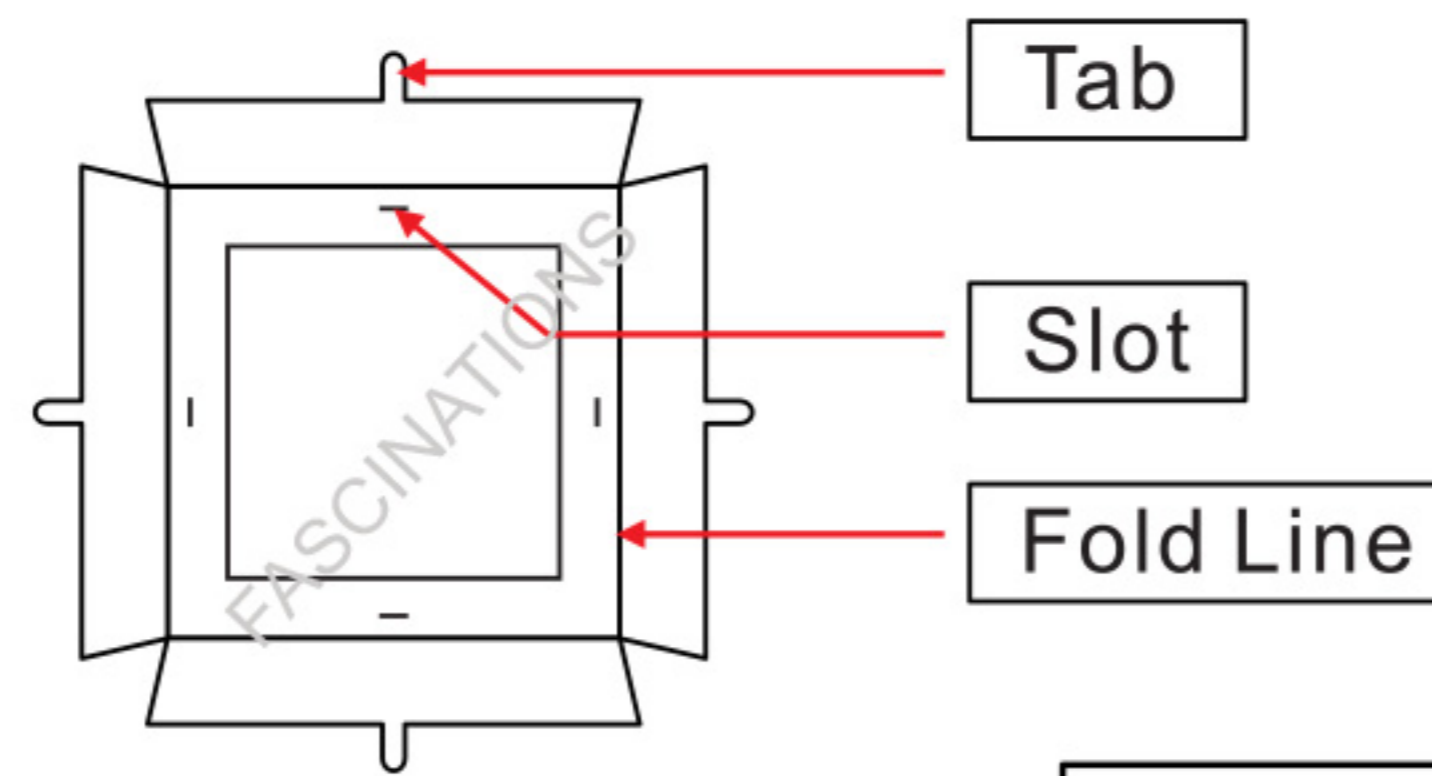
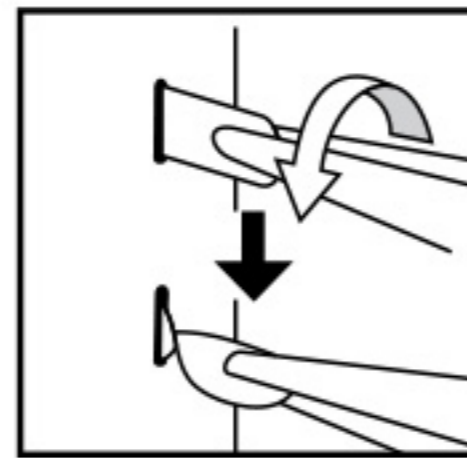


TO CREATE THE BEST CONNECTIONS

● Insert tab into slot and bend 90 degrees

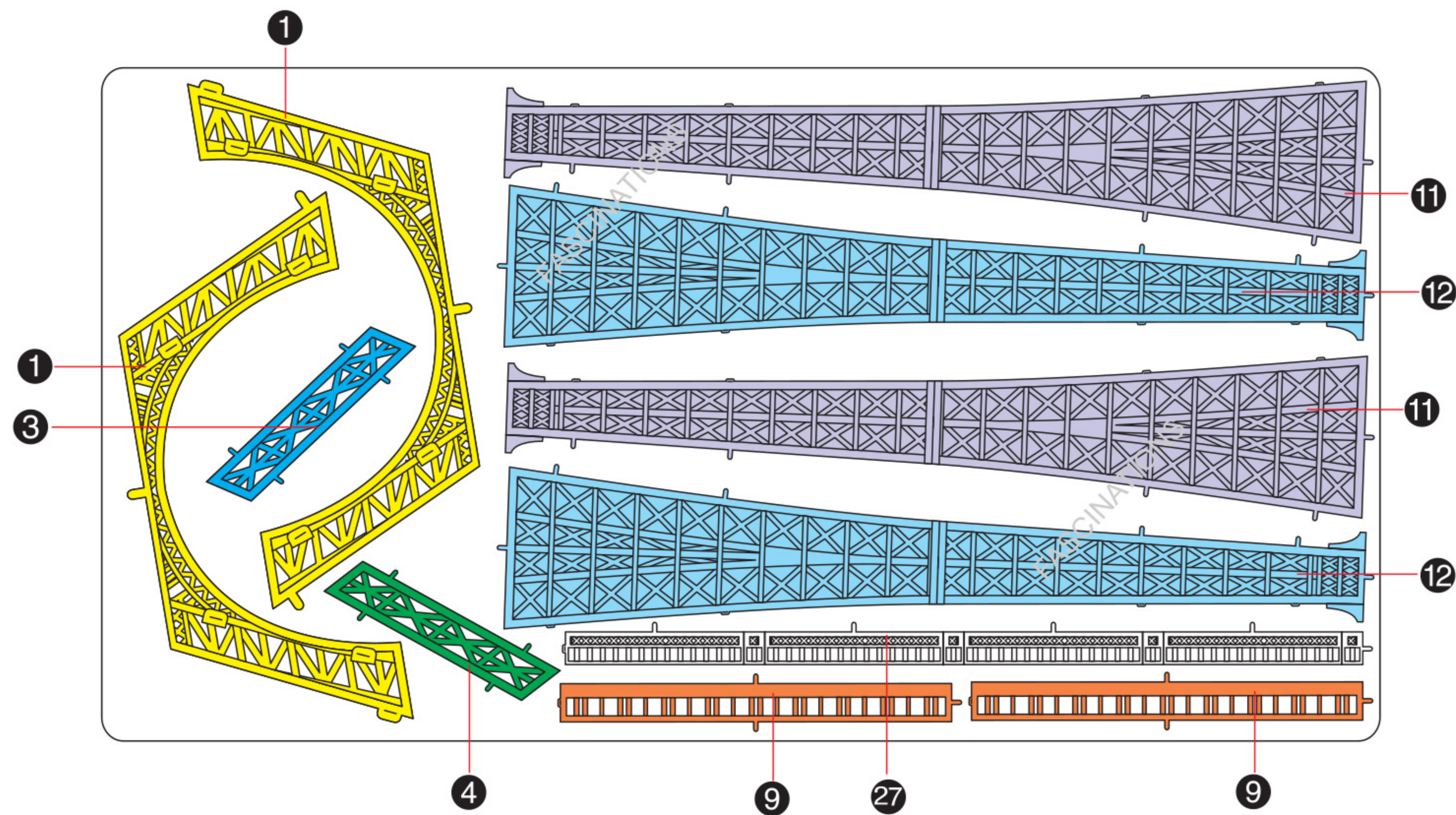


▲ Insert tab into slot and twist 90 degrees

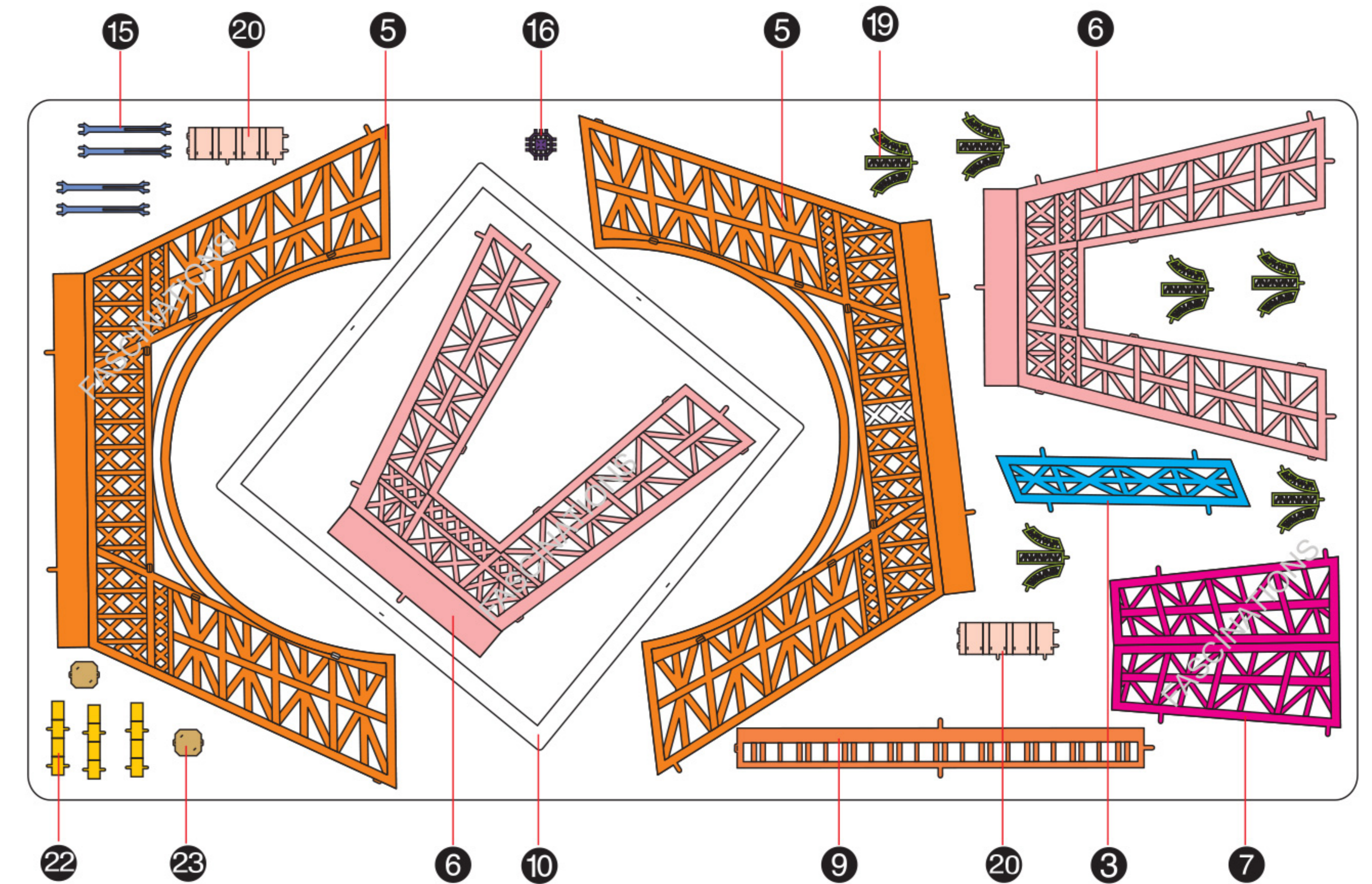
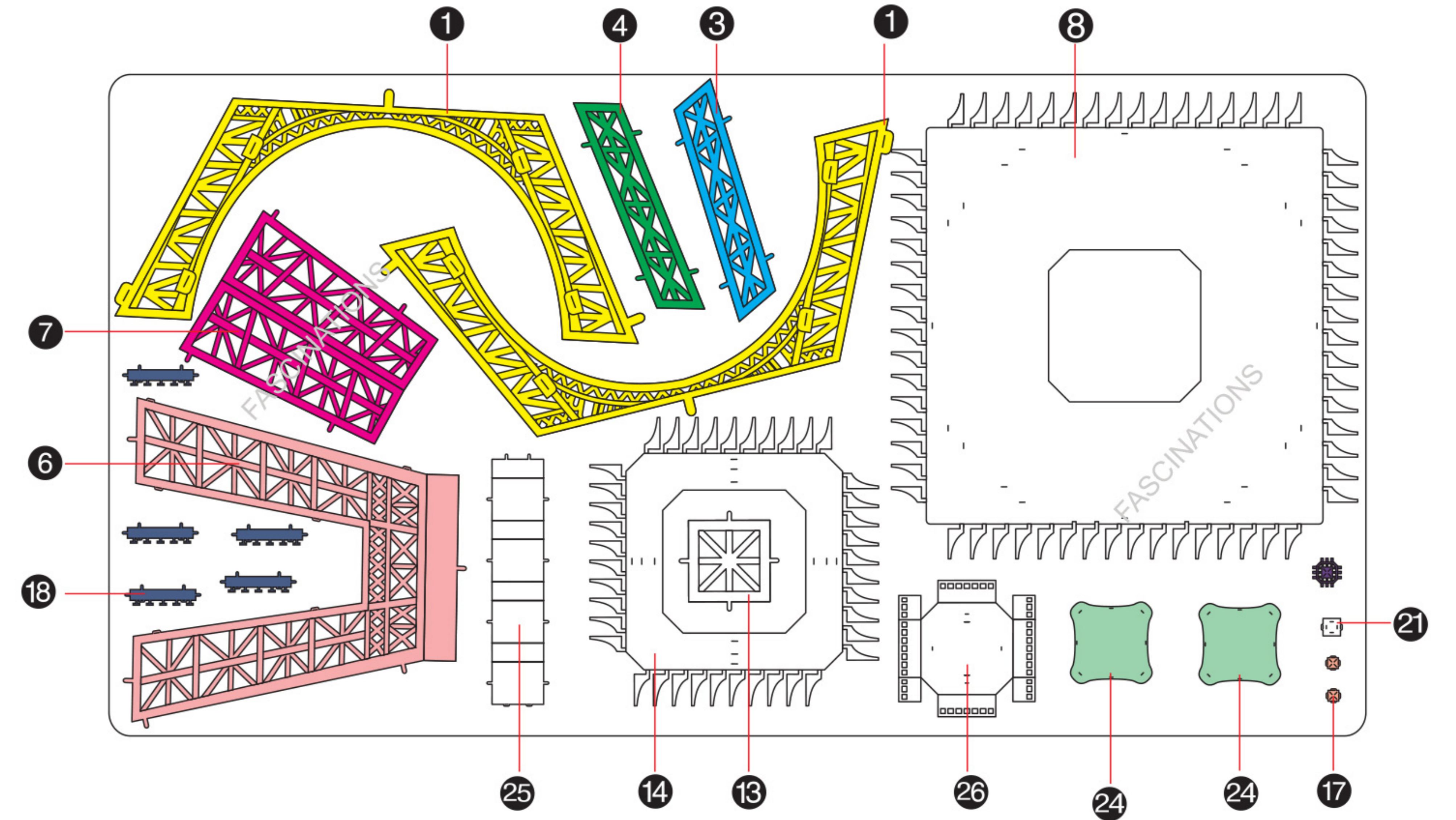


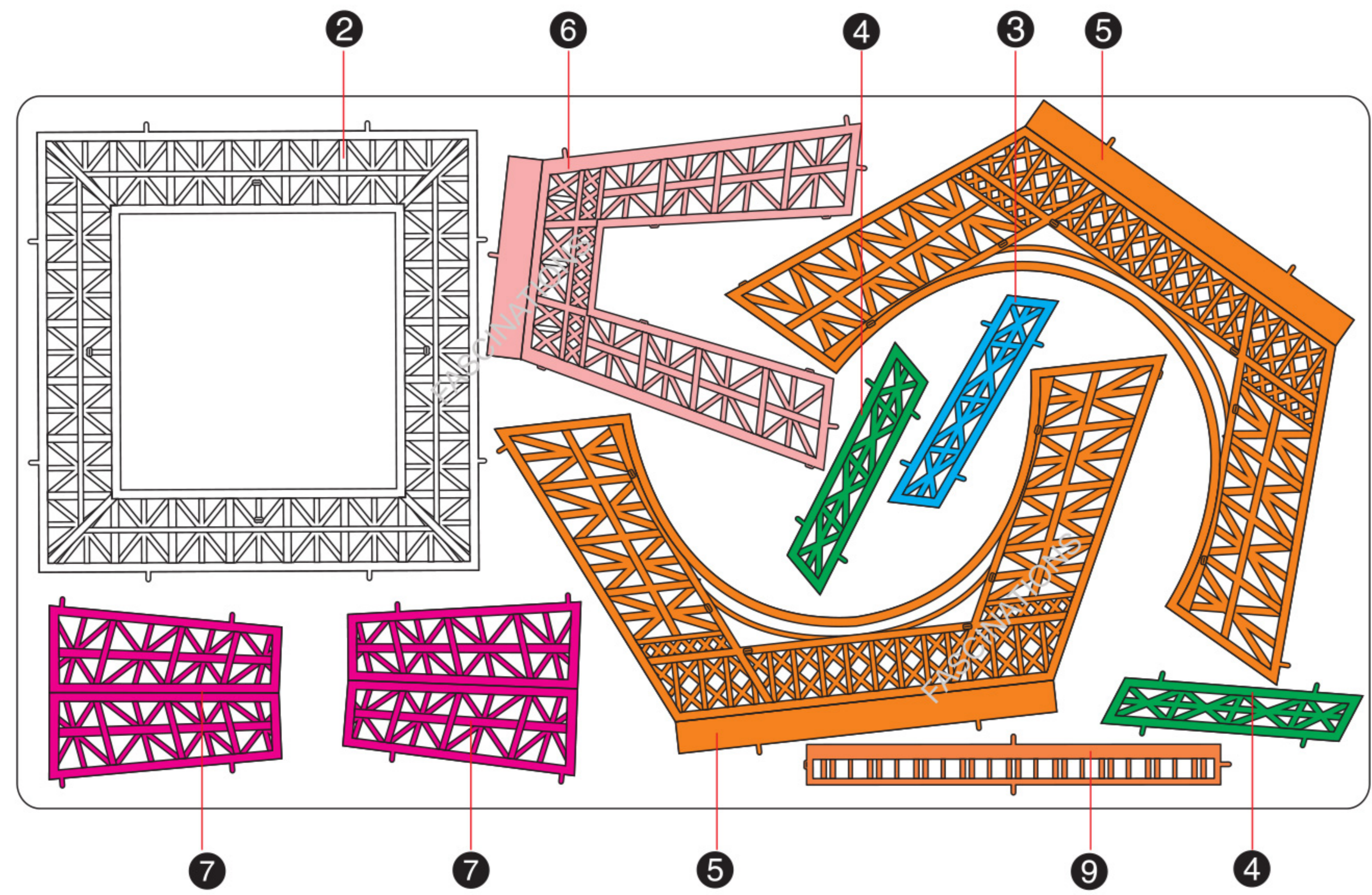
Needle nose pliers are helpful for assembly

METAL SHEETS



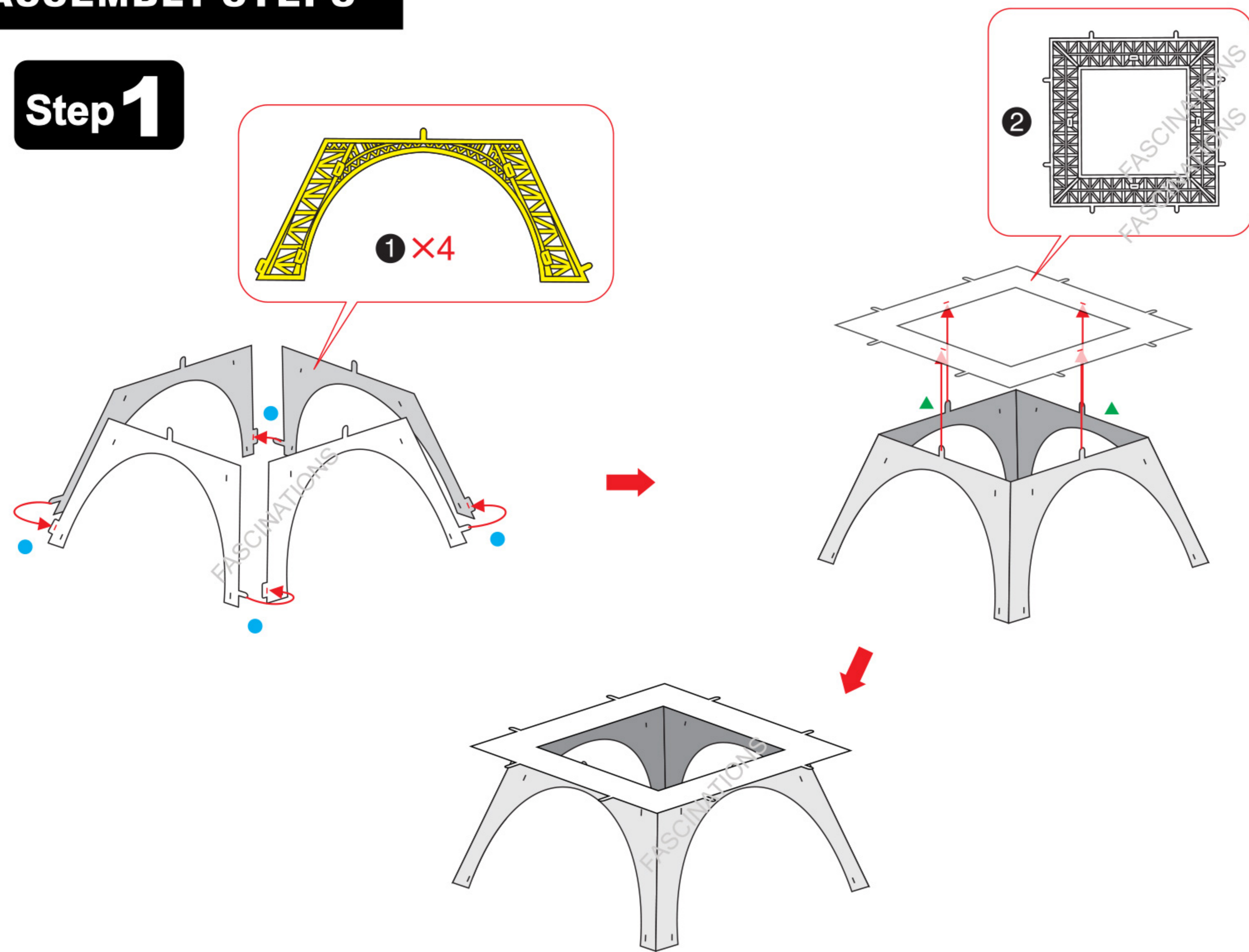
In order to avoid possible injury from sharp edges, please carefully discard the metal sheet after parts have been removed.



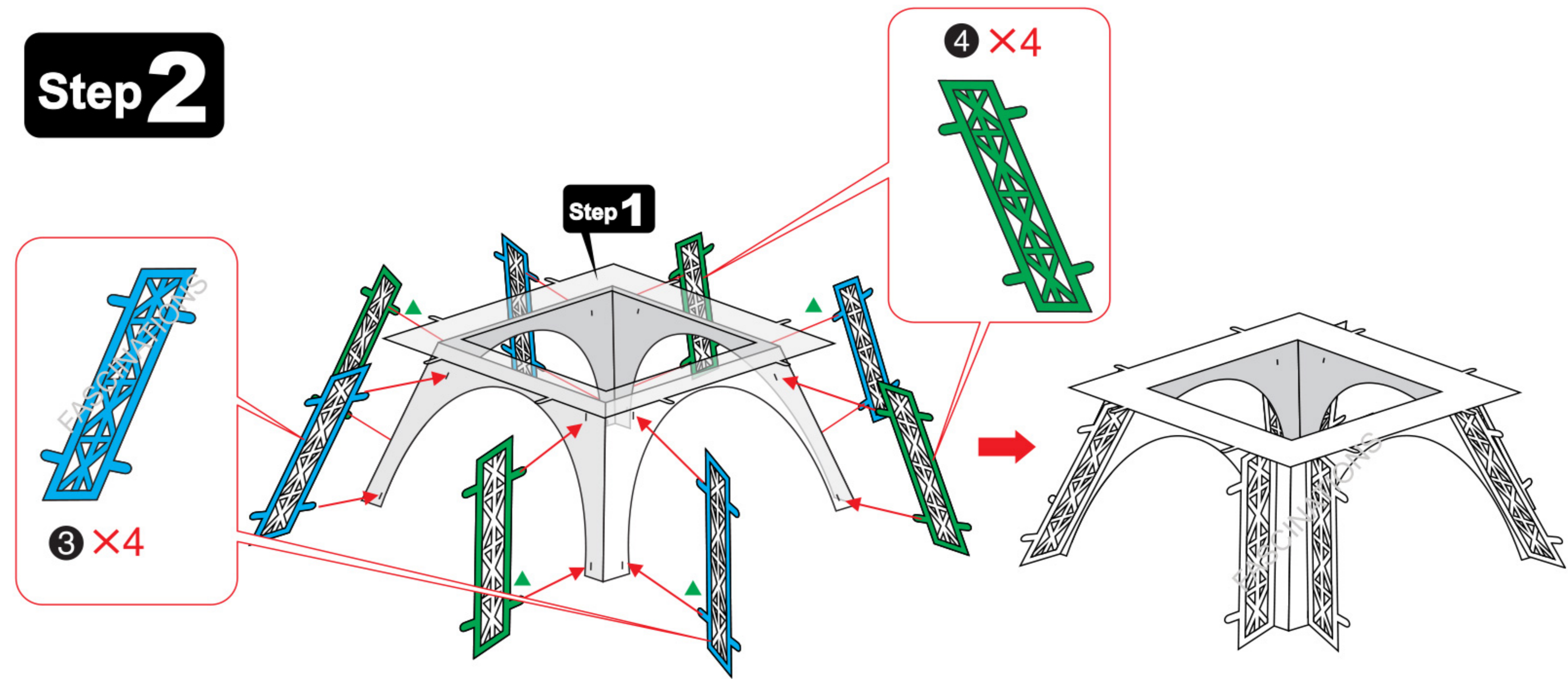


ASSEMBLY STEPS

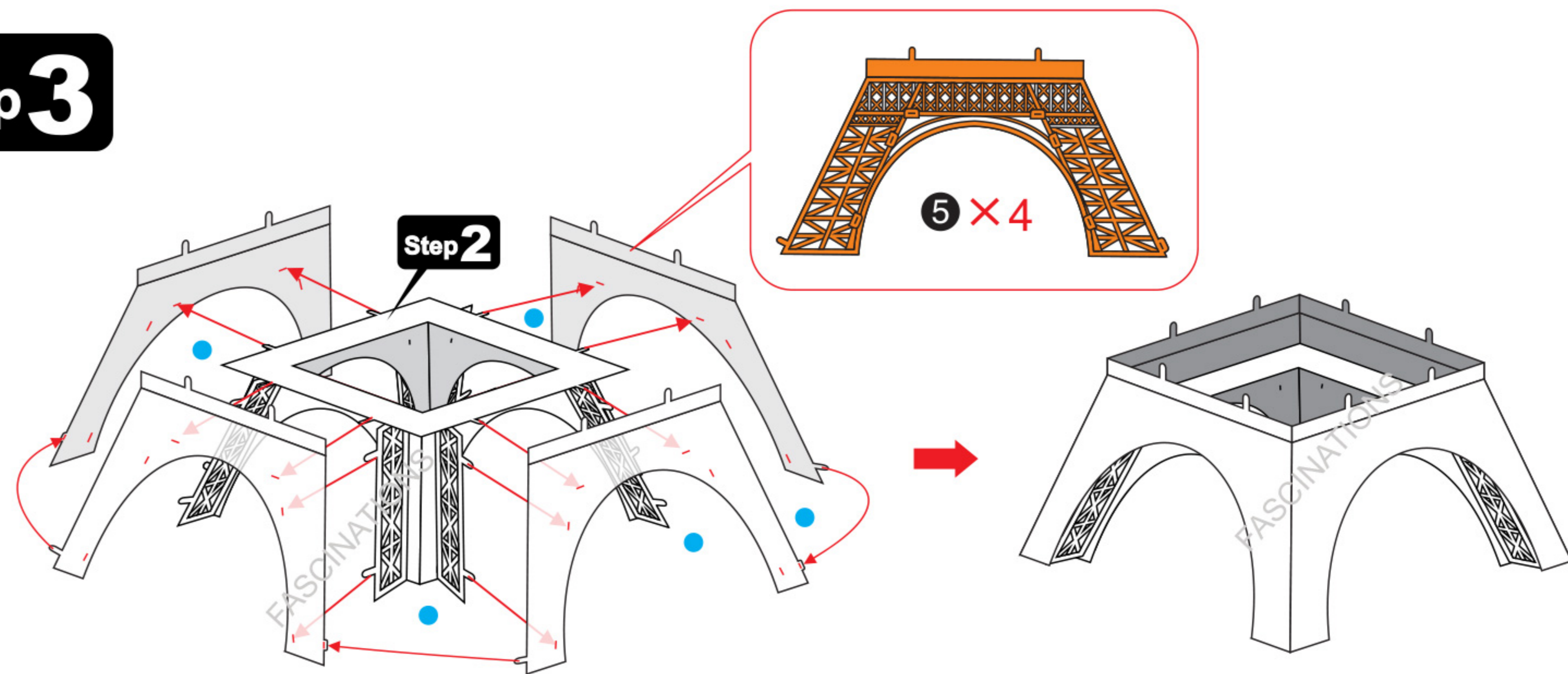
Step 1



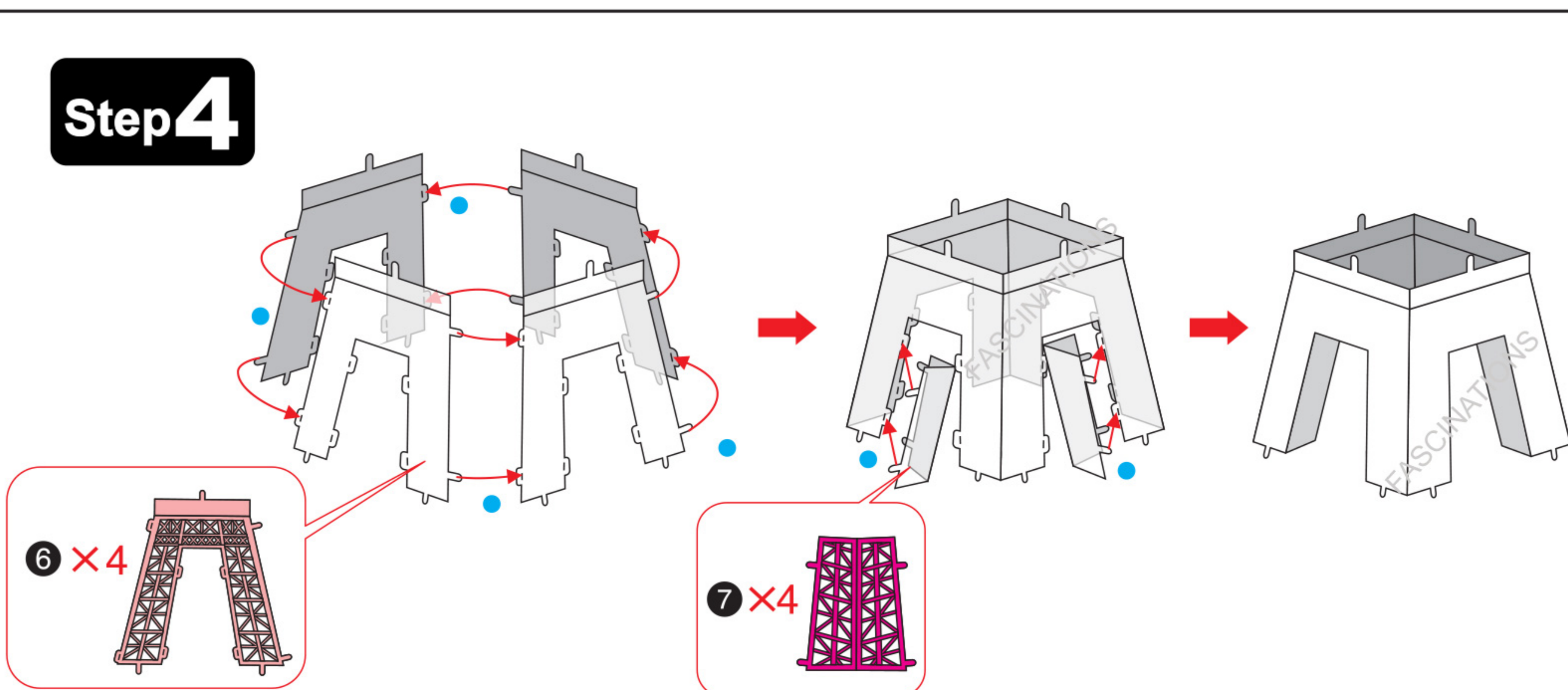
Step 2



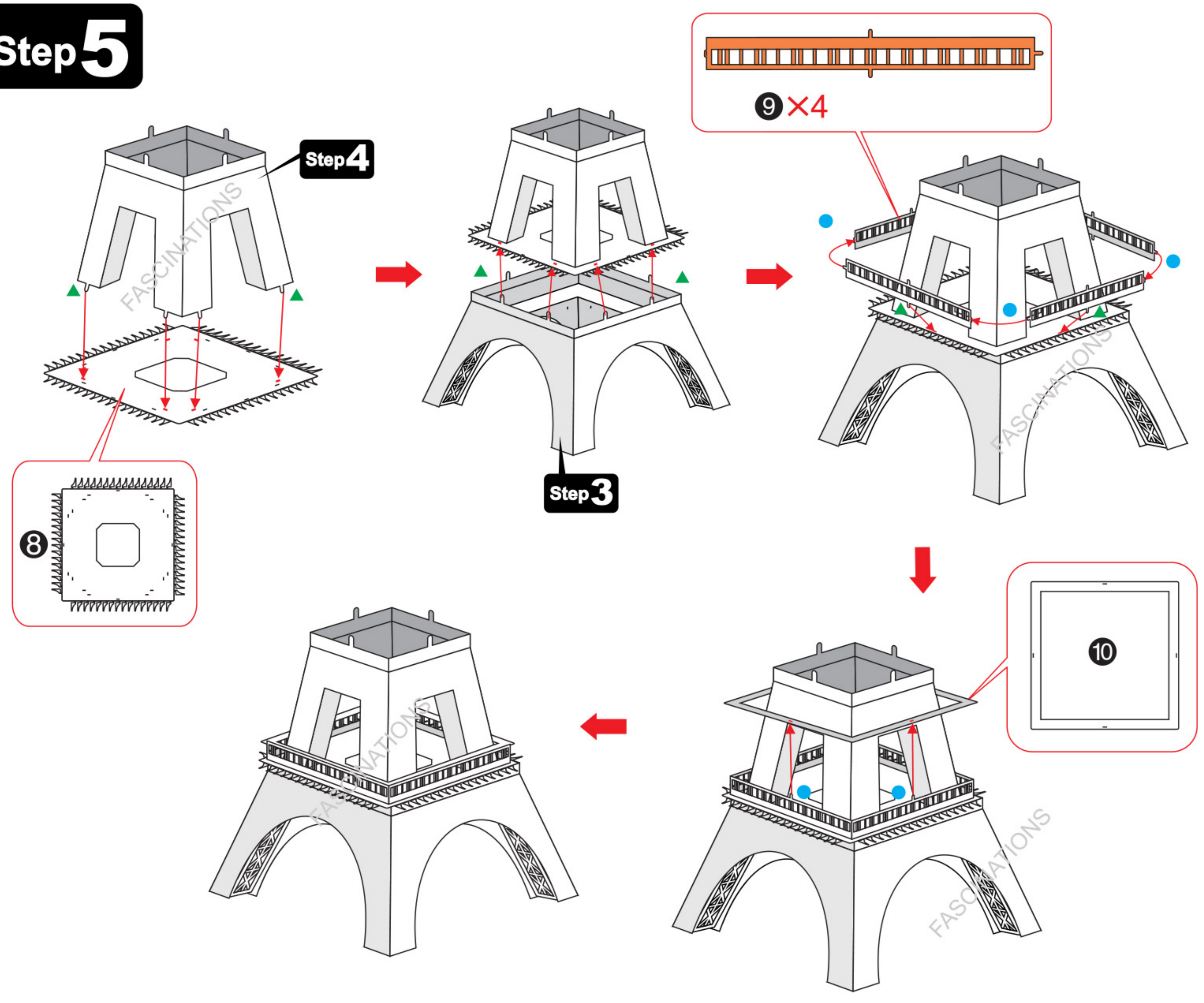
Step 3



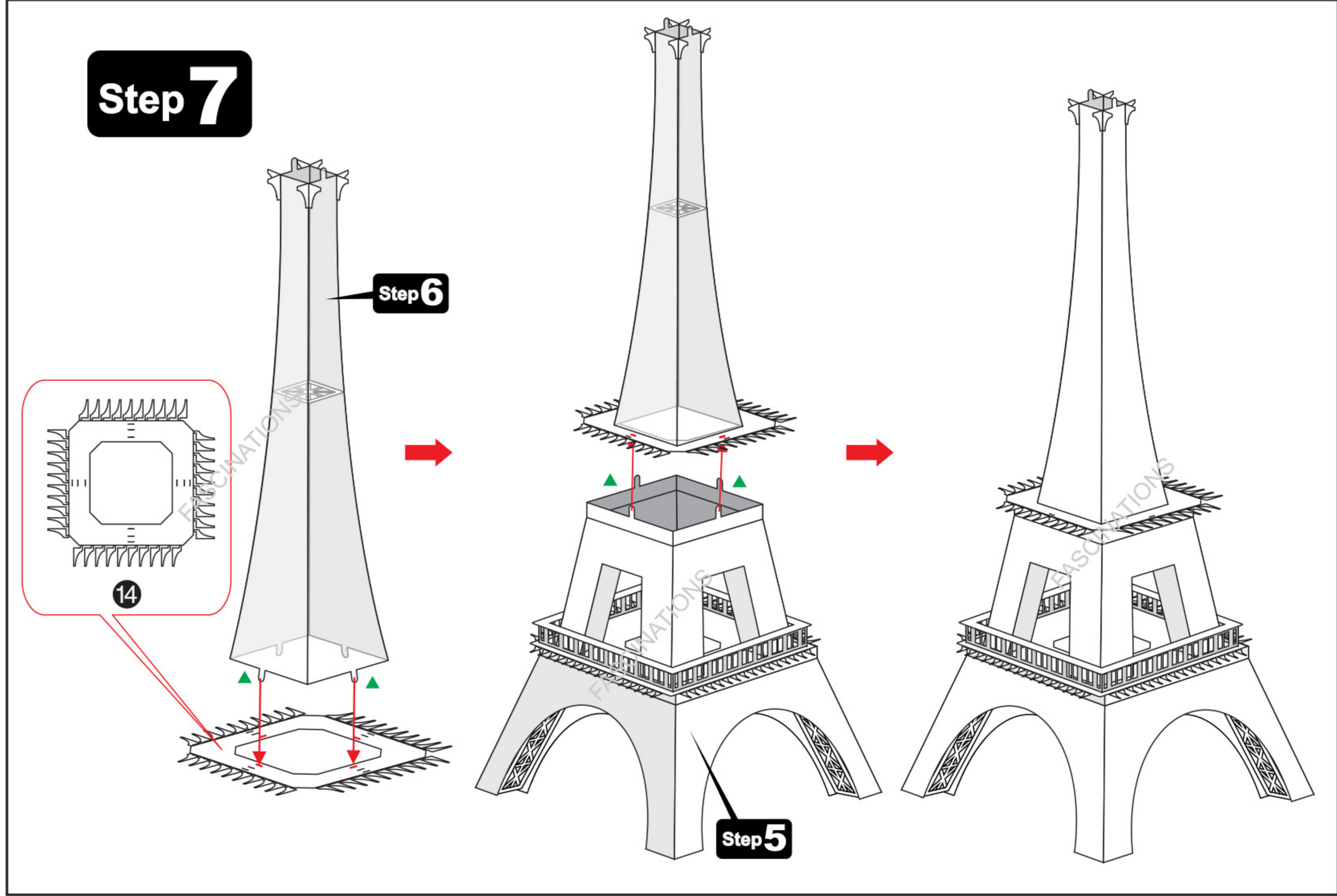
Step 4



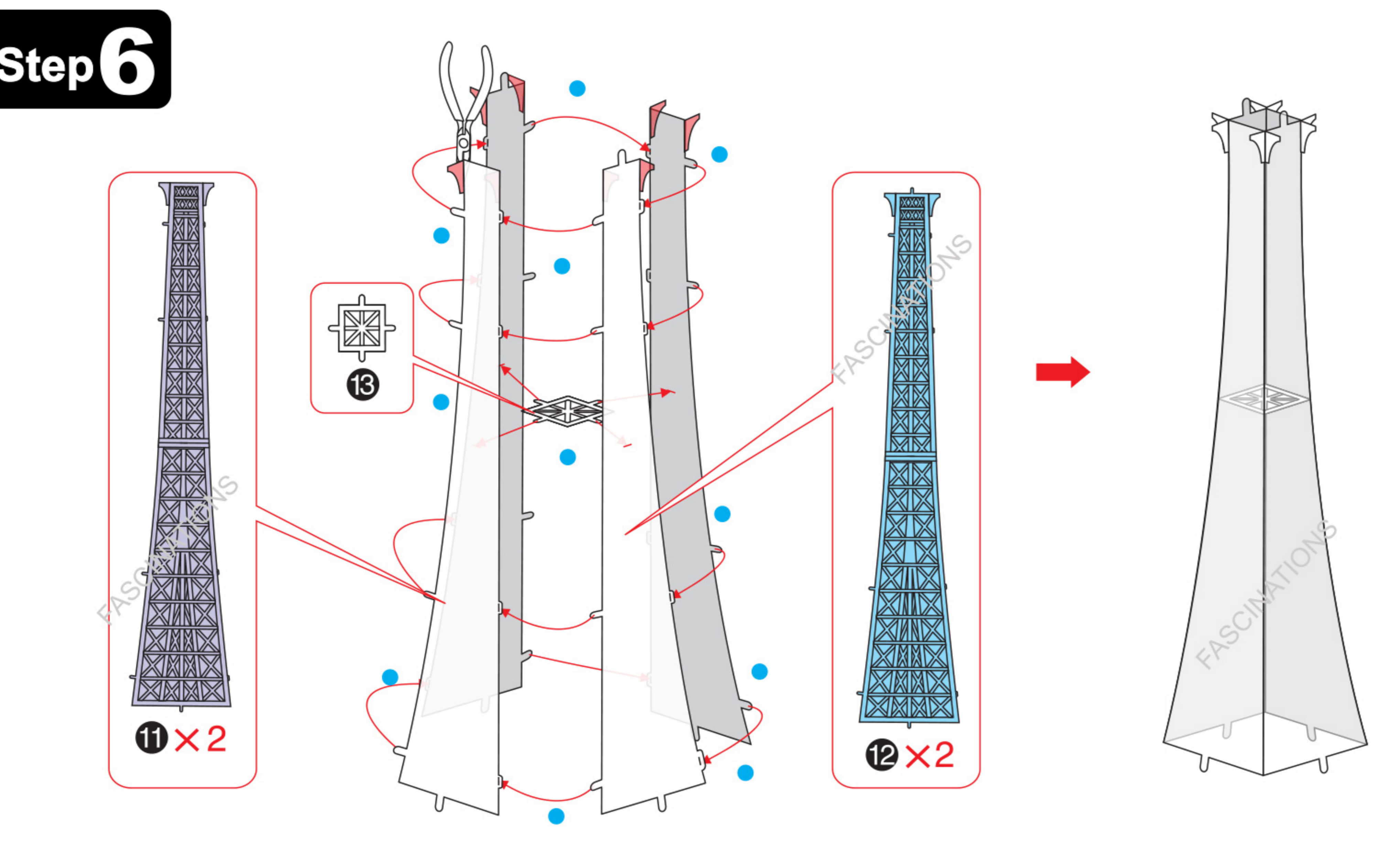
Step 5



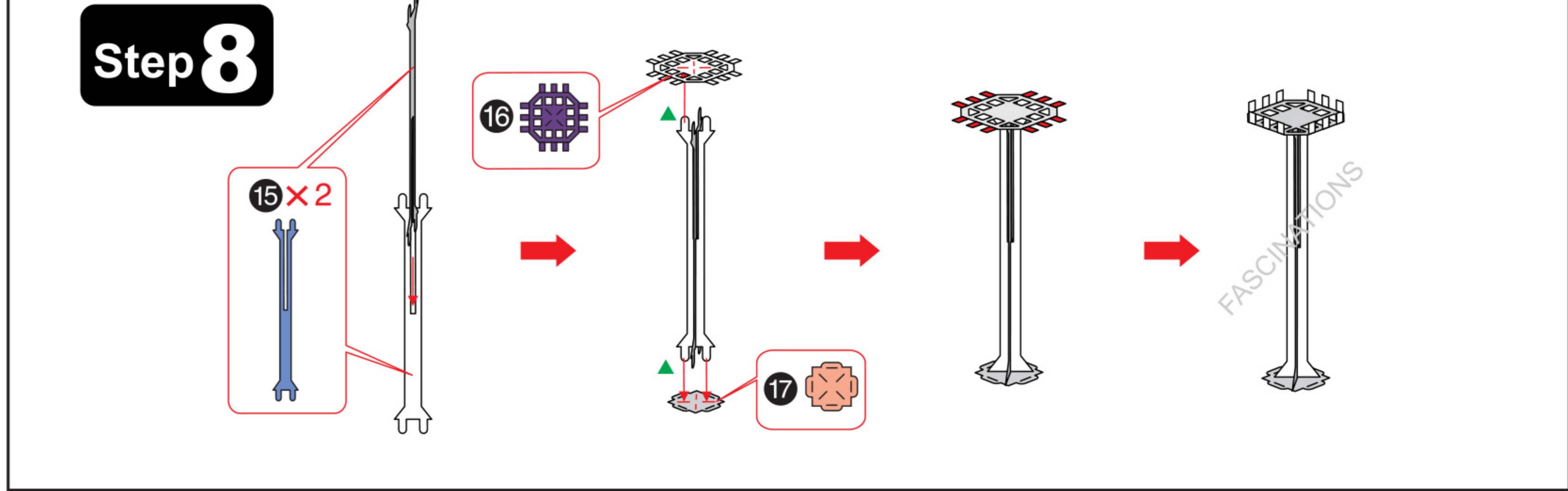
Step 7



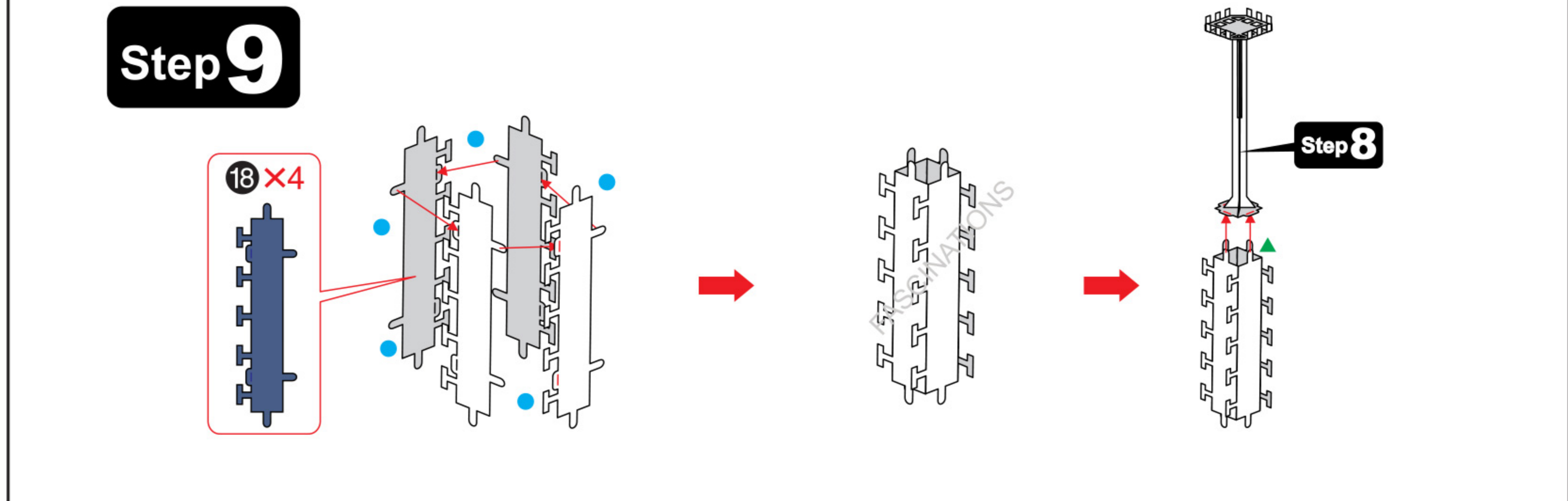
Step 6



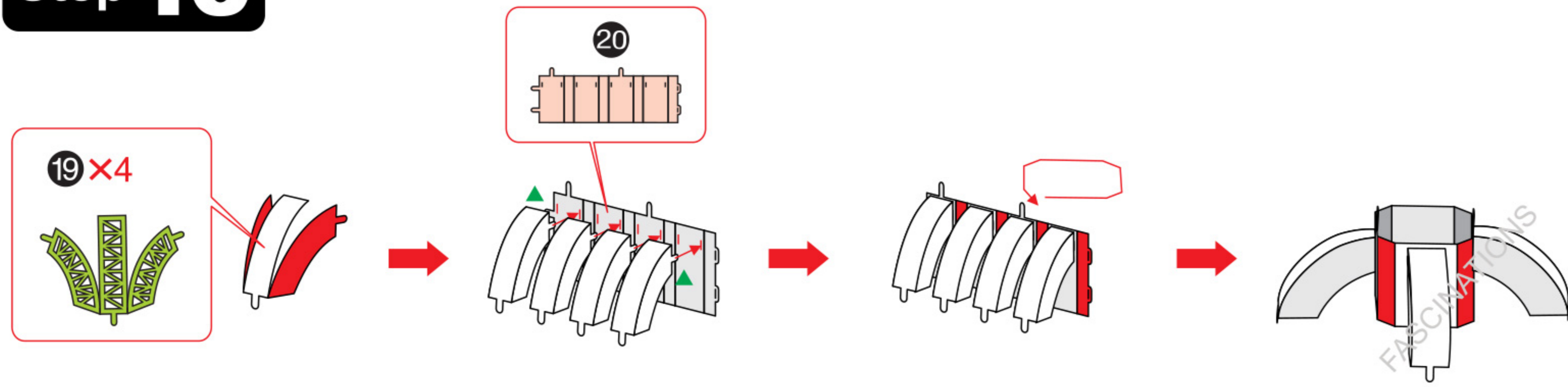
Step 8



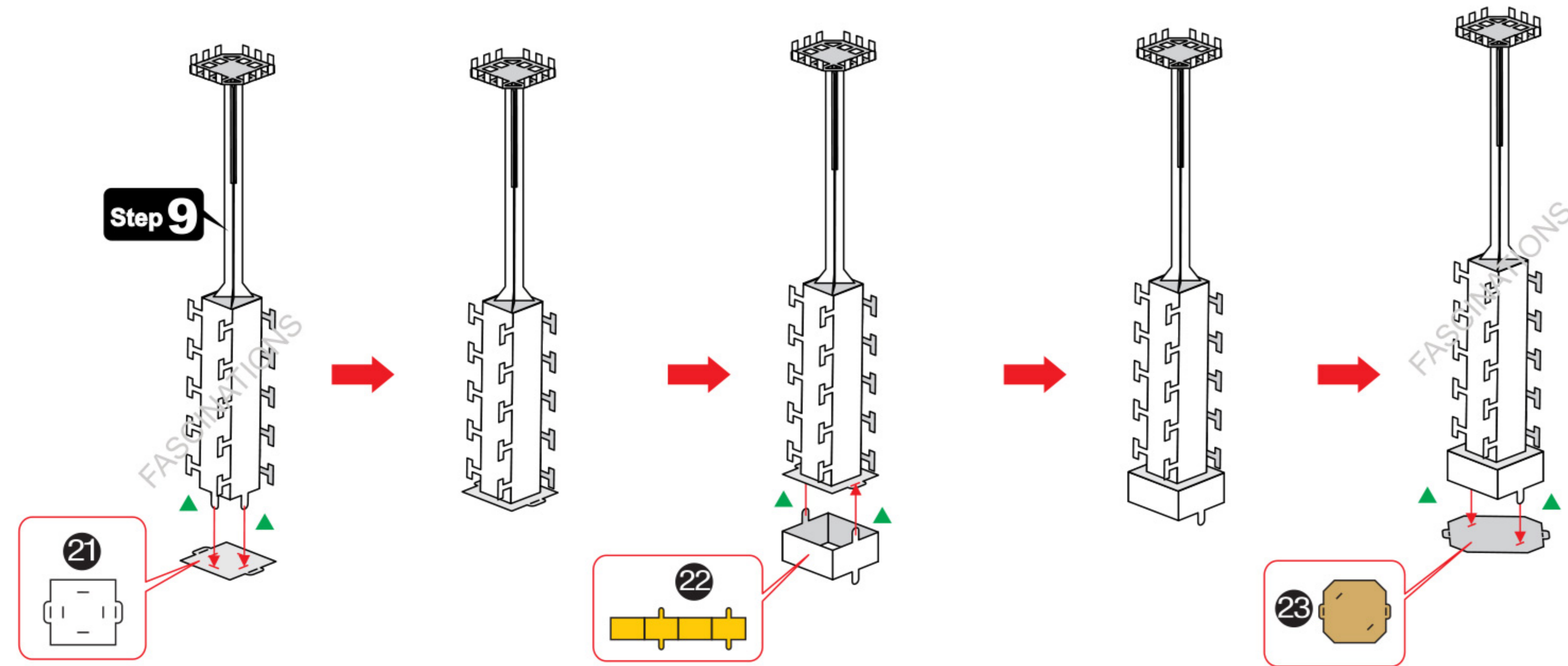
Step 9



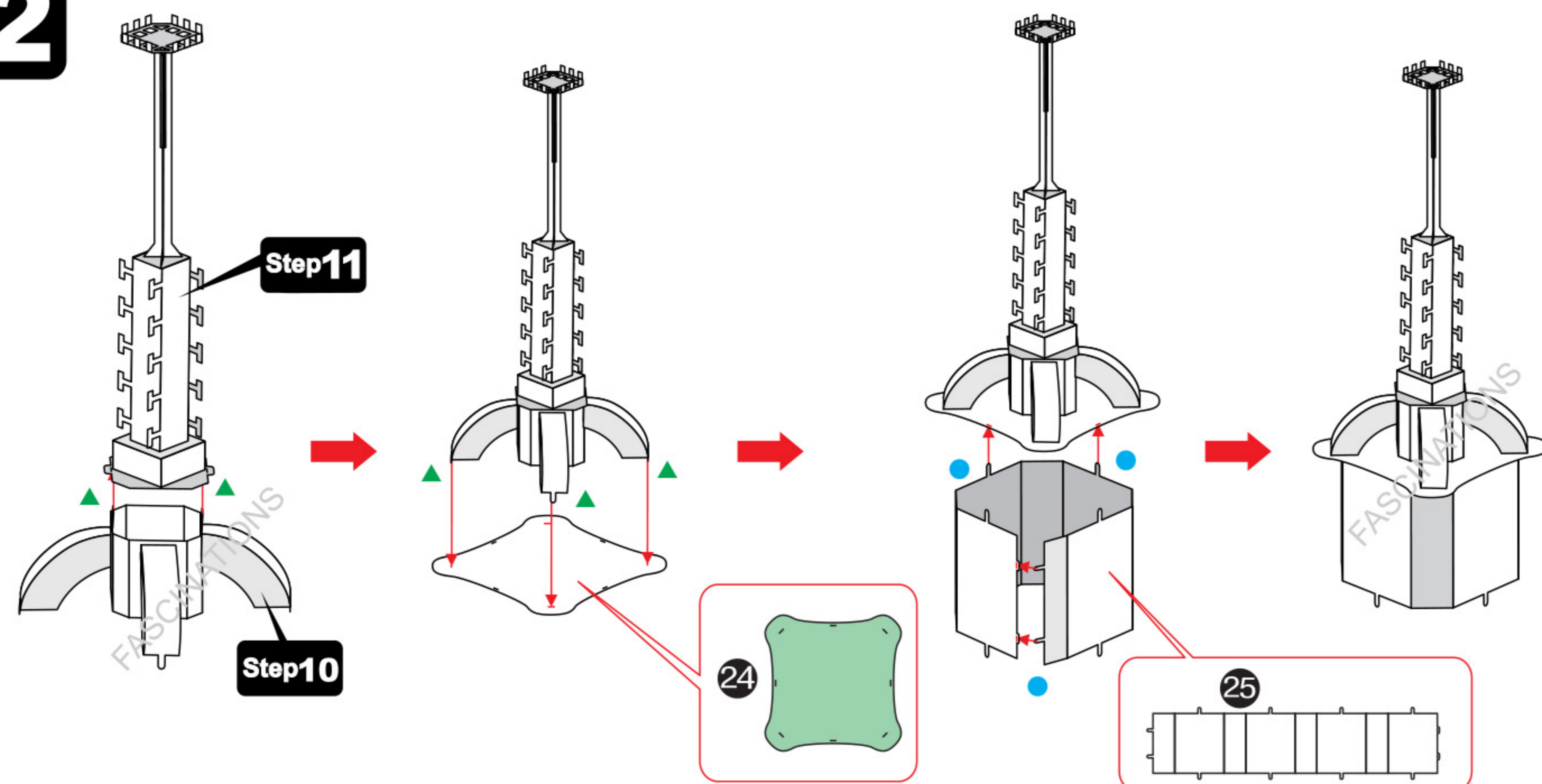
Step 10



Step 11



Step 12



Step 13

