

# ASSEMBLY INSTRUCTIONS

## REMOVE PARTS FROM PLASTIC WRAP

### CHECK ALL OF THE FOLLOWING PARTS ARE INCLUDED:

• 1 x Metal Base

• 1 x Center Pole

• 1 x Square Display Tray

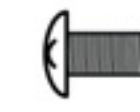
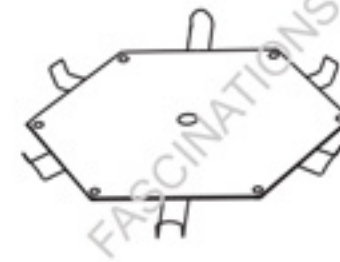
• 6 x Support Rod

• 2 x Hook Plate

• 12 x Small Head Screw

• 2 x Large Head Screw

• 1 x Large Hex Key



You can view the assembly video at:  
[www.fascinations.com/iconxwire2tier](http://www.fascinations.com/iconxwire2tier)

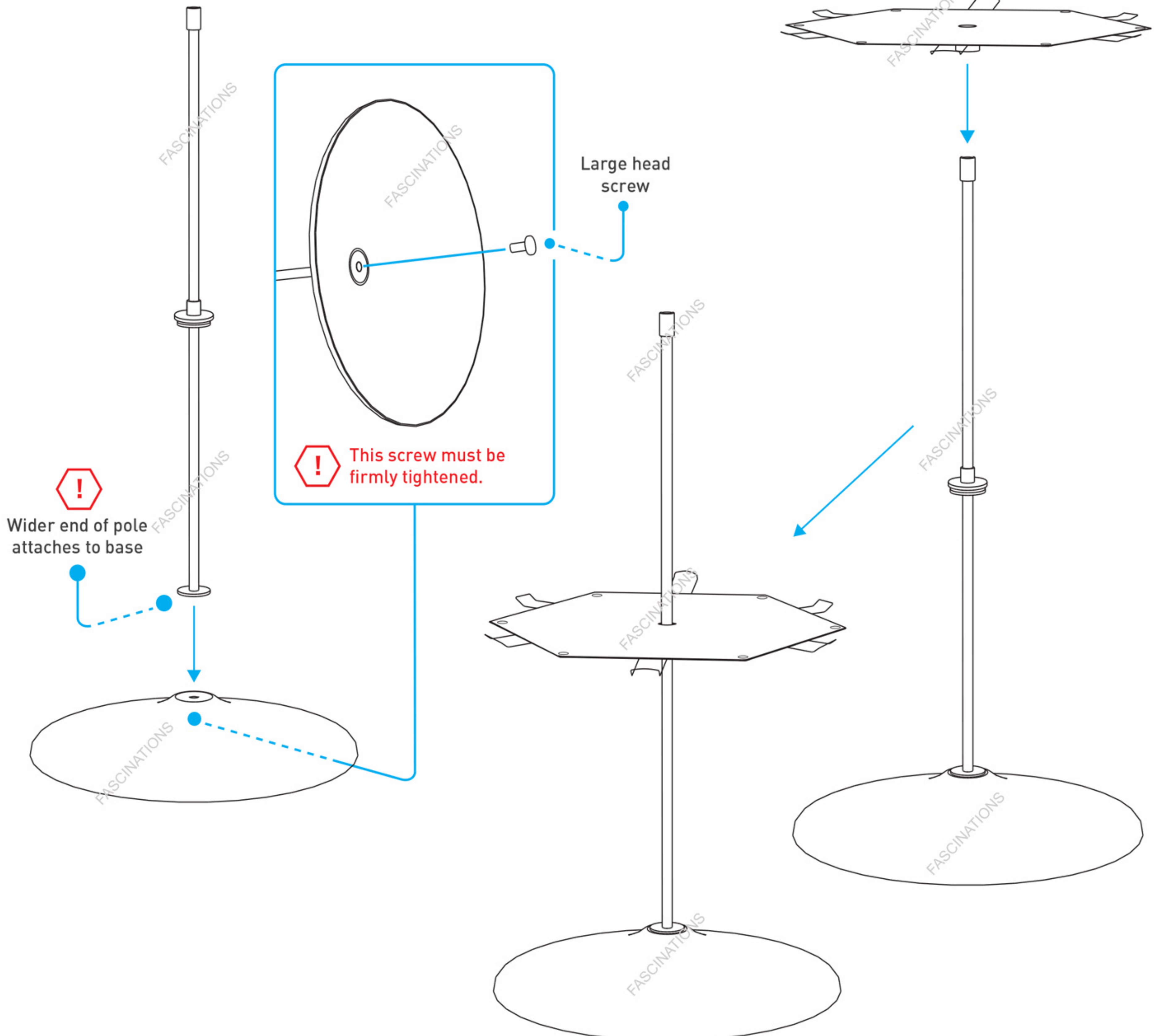
• 1 x Small Hex Key



## ASSEMBLY STEPS

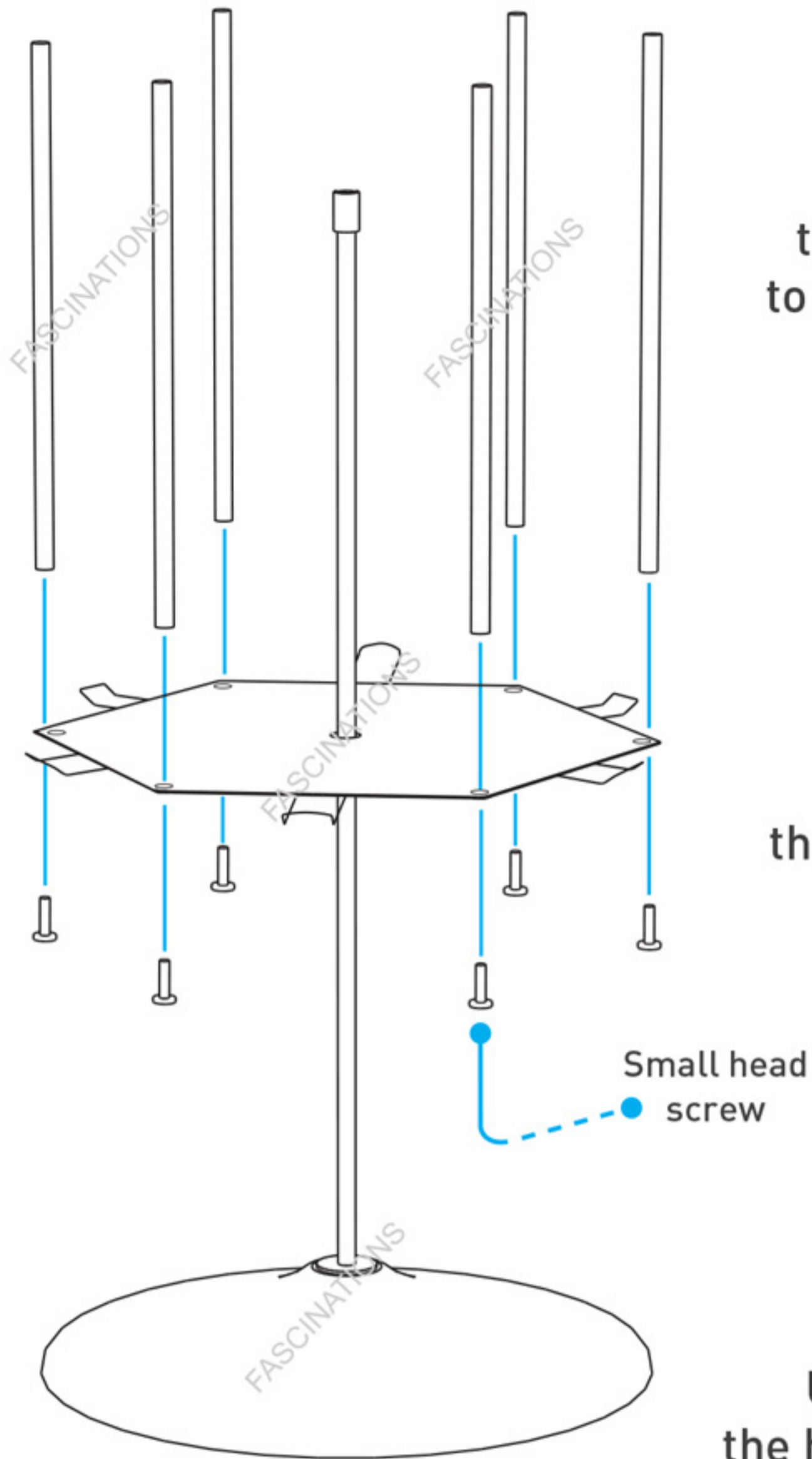
**1** Screw the center pole onto the metal base as shown using the large head screw.

**2** Slide one of the hook plates down the center pole with the hooks pointed up.



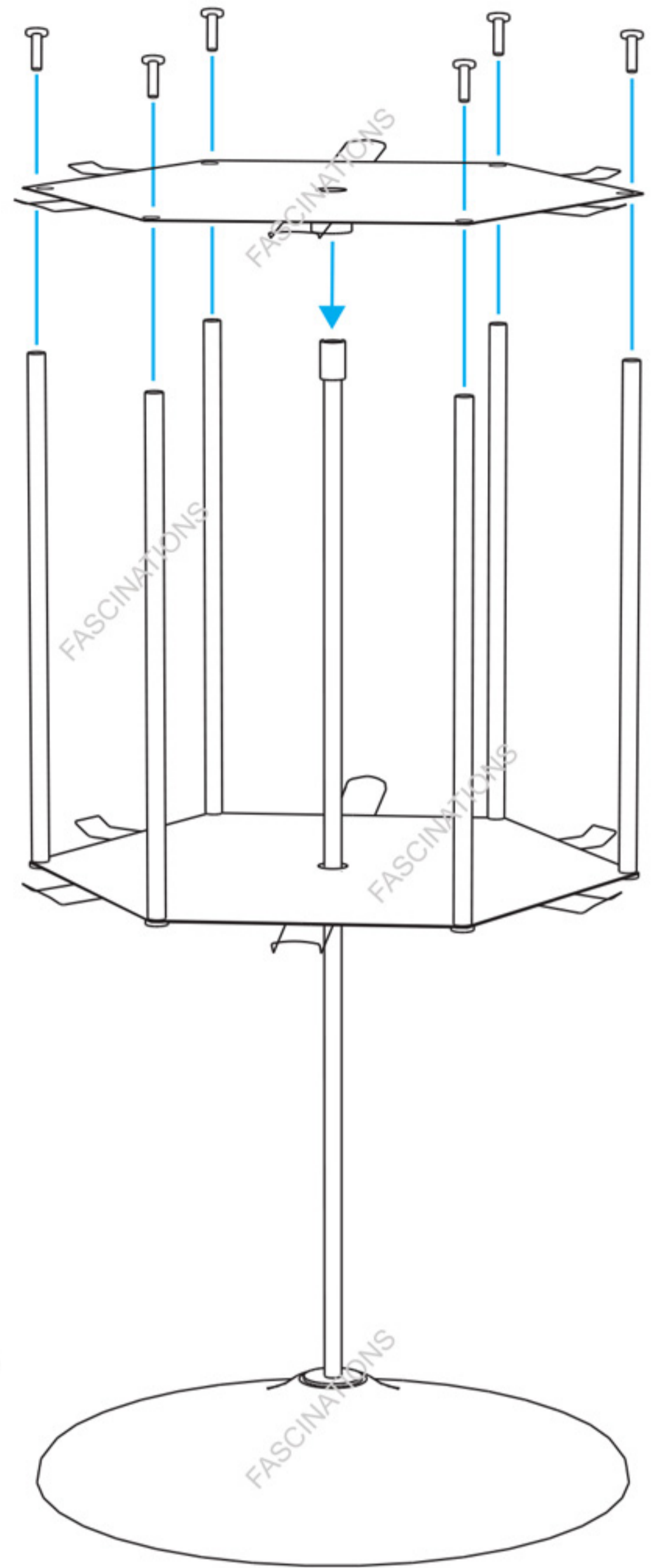
3

Screw the 6 support rods onto the plate as shown in the illustration to the left using the small head screws.



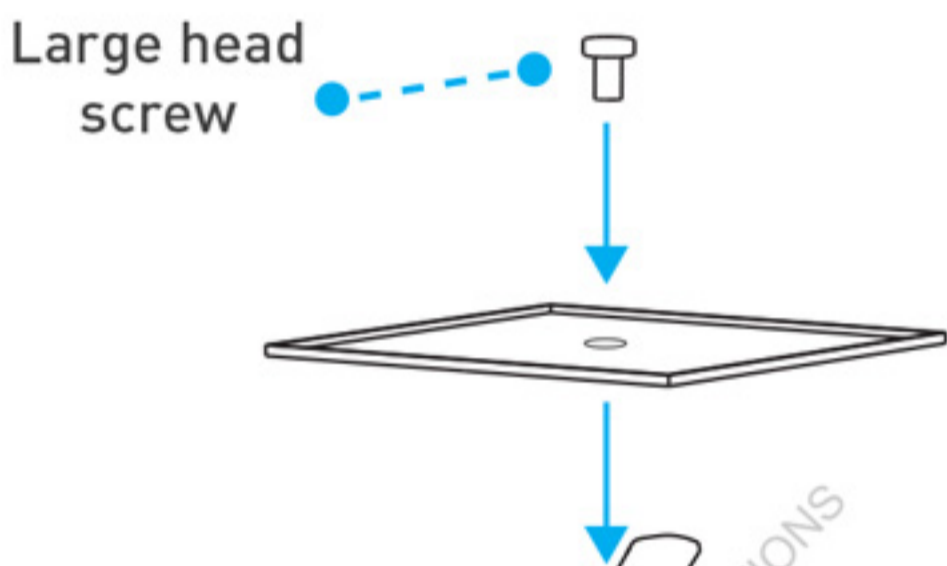
4

Slide the second hook plate down the center pole with hooks up as shown in the illustration to the right.



5

Using the small head screws, secure the hook plate to the top of the support rods. This will secure the rods into place.



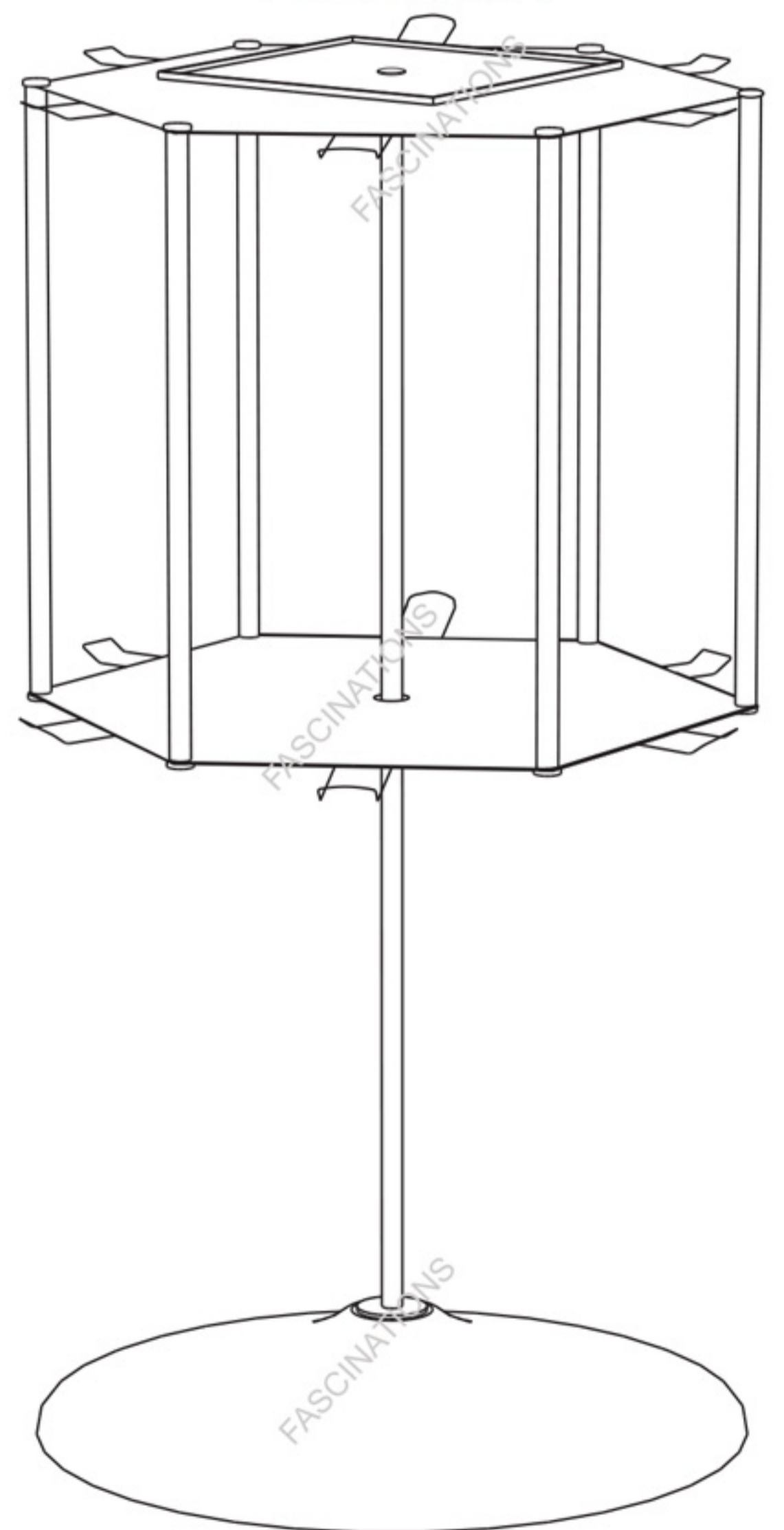
6

Place the square display tray on top of the center pole and secure it using a large head screw.



Display diameter: 12.8" (32.5cm)  
Height: 21" (53cm)

**FINISHED!**



Item #ICXWR



MADE IN VIETNAM

If you have any problems assembling this display or there are missing parts, please give us a call so we can help: **206-870-3000** (8-4 PST). You can also email us at: [support@fascinations.com](mailto:support@fascinations.com)

© Fascinations, Inc. All rights reserved.