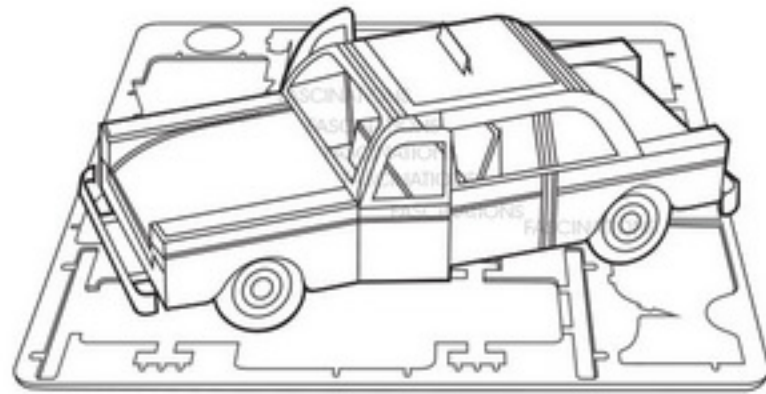


# METAL EARTH™

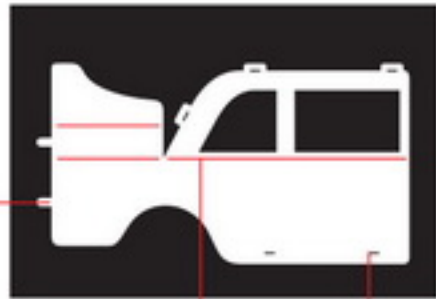
## 3D LASER CUT MODELS



It is highly recommended that you visit [www.fascinations.com/metalearth360/mms007](http://www.fascinations.com/metalearth360/mms007) to see the completed model before assembling your own



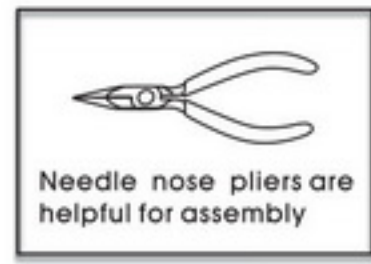
mms007



Insertion tabs are inserted and then folded

Fold lines can be seen as shown here

Insertion holes



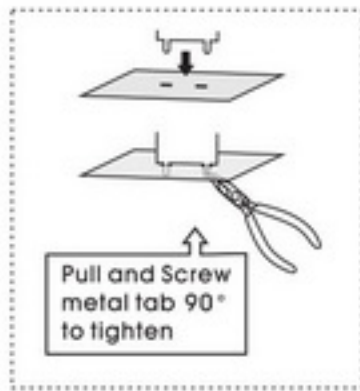
Needle nose pliers are helpful for assembly

### Metal sheet

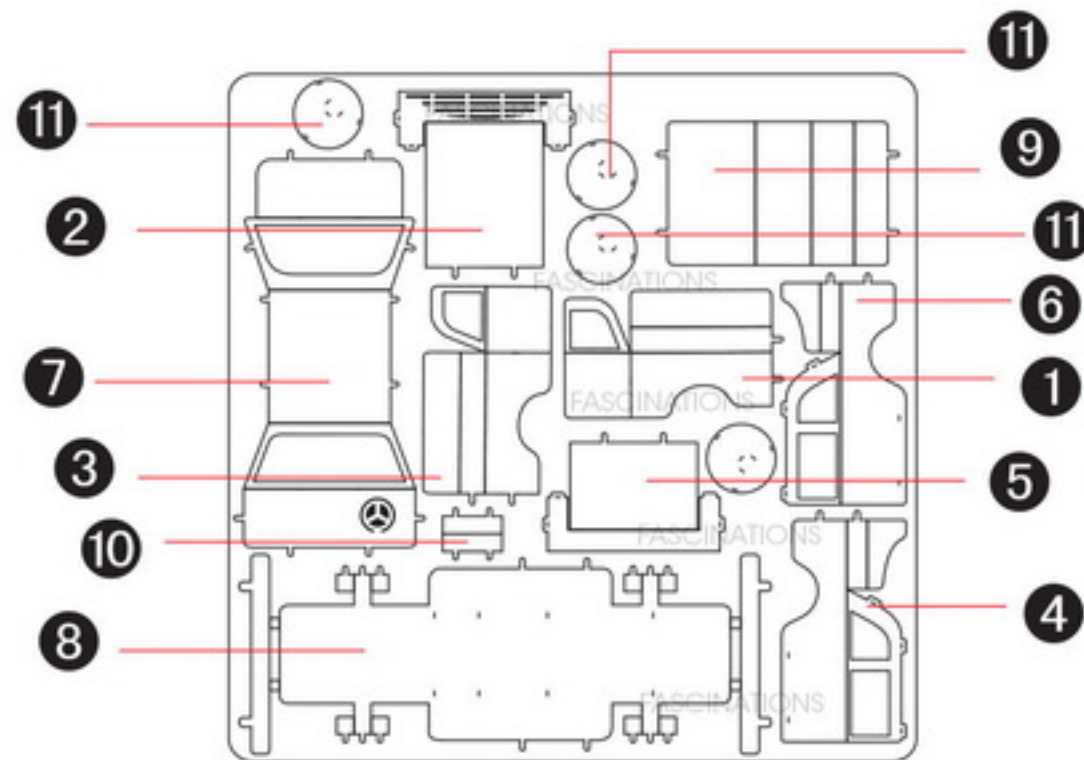
#### To create the best connections

Insert tab and bend 90 degrees for most visible areas

Insert tab and twist 90 degrees is best in some areas to ensure a tight connection

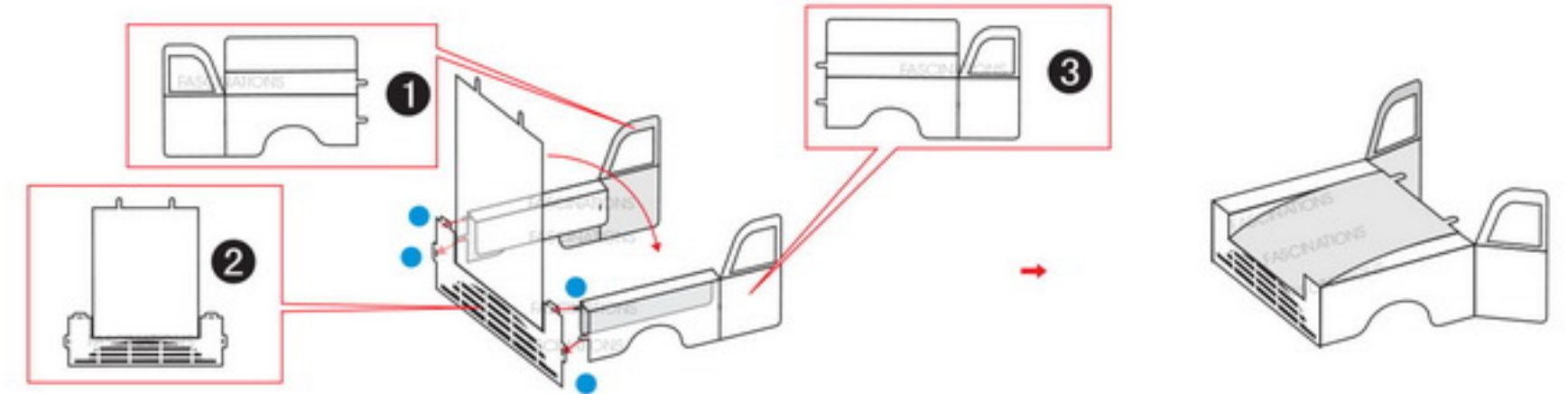


Pull and Screw metal tab 90° to tighten



In order to avoid possible injury from sharp edges, please carefully discard the metal sheet after parts have been removed

### Assembly Flow Chart



### What to Know Before Starting

