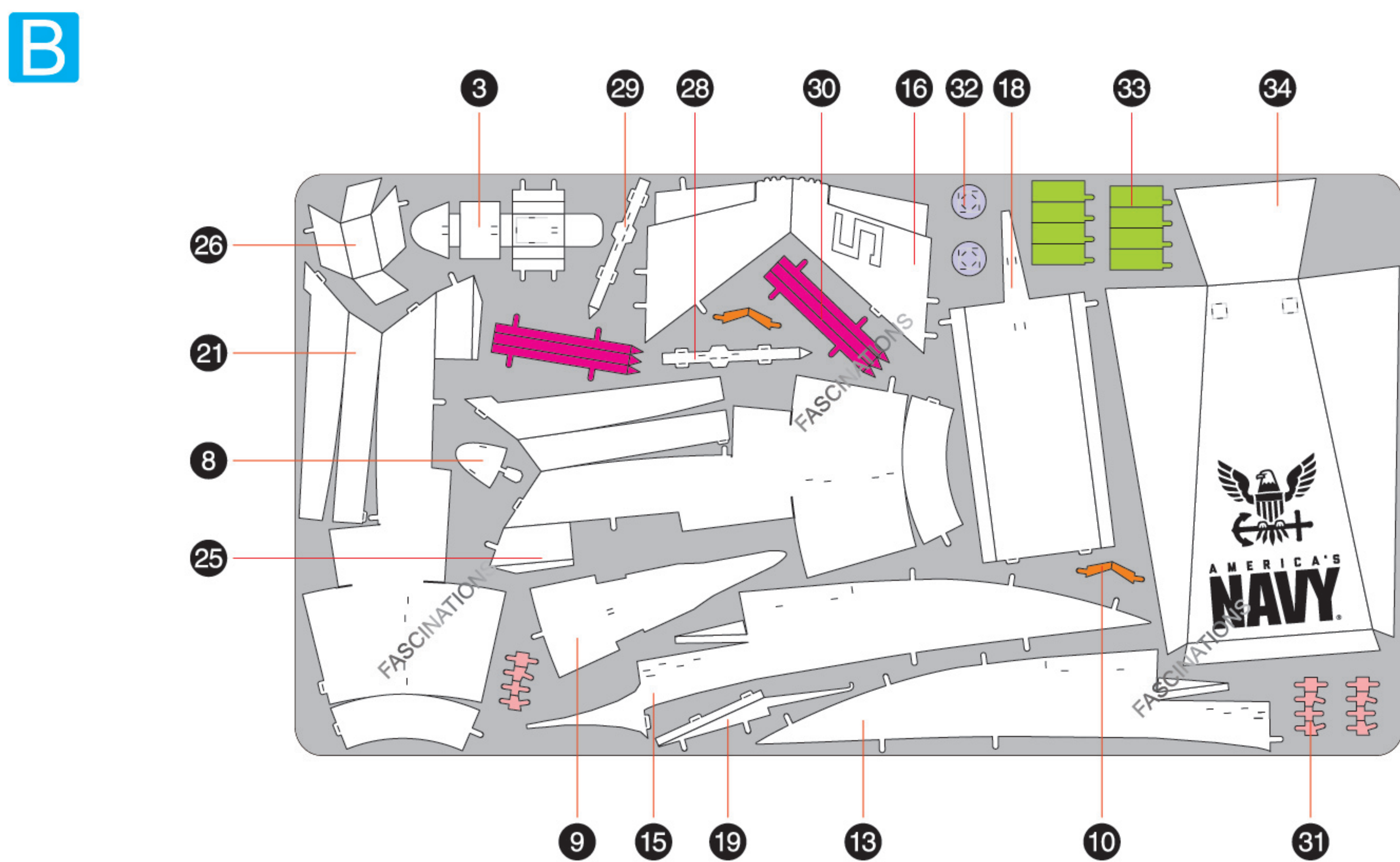




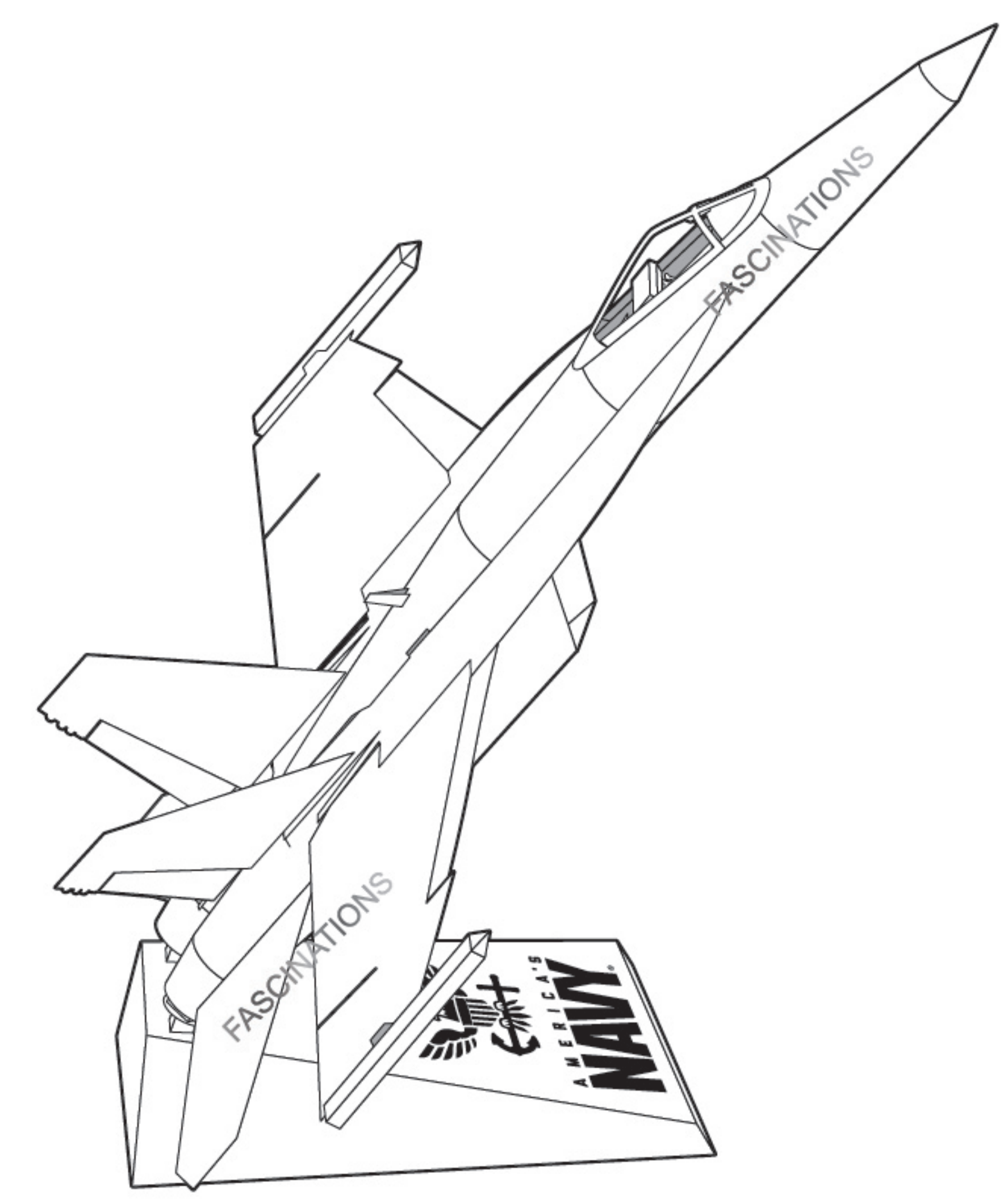
It is highly recommended that you visit [www.metalearth.com/360/ICX212](http://www.metalearth.com/360/ICX212) to see the completed model before assembling your own

## METAL SHEETS

Parts with same color are duplicates

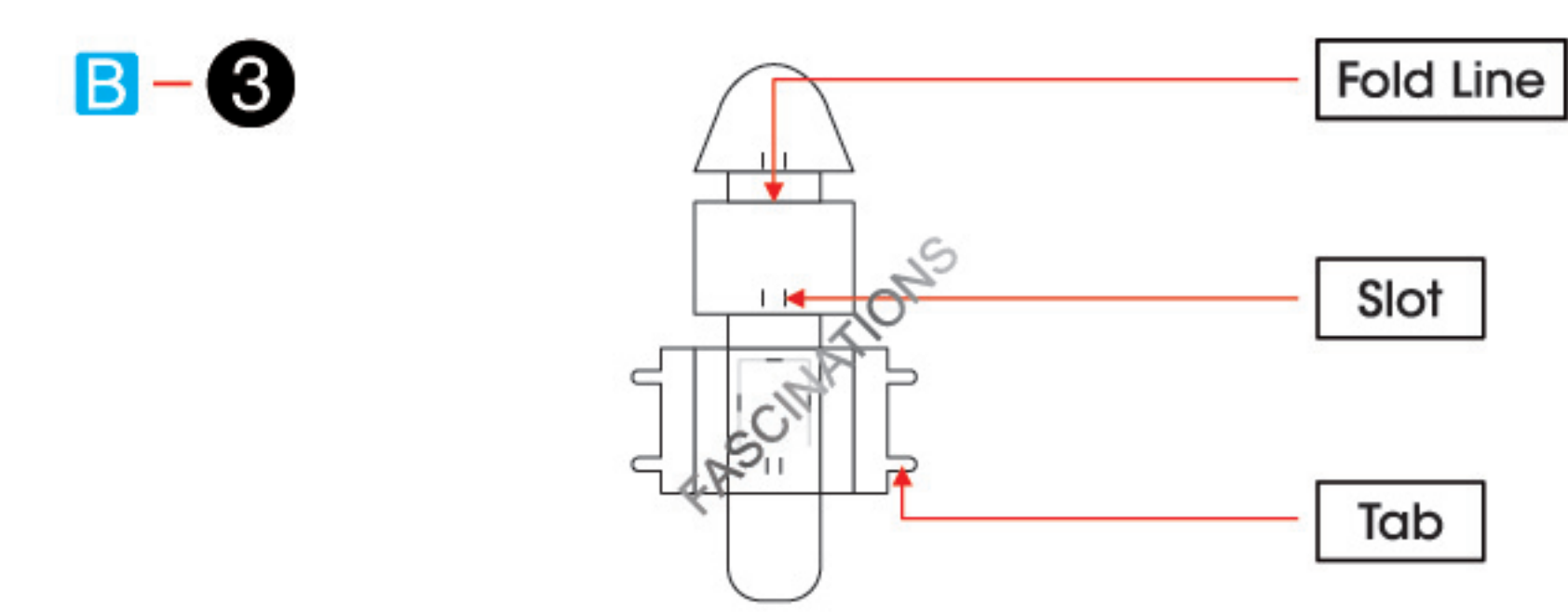


## ICX212



**BLUE ANGELS® F/A-18 SUPER HORNET™**

## TO CREATE THE BEST CONNECTIONS



- Legends:**
- E** Engraved/ Color side
  - NE** Non - engraved/ Silver side
  - Attention point
  - Insert tab and bend 90 degrees
  - Insert tab and twist 90 degrees
- Recommended tools:**
- Wire cutters: helpful for taking parts from the metal sheets.
  - Tweezers or needle nose pliers: helpful for folding parts, bending and twisting tabs.
- Assembly tip:**
- If needed, slightly twist tabs to hold parts together then untwist and bend them down for a nice finish.
- In order to avoid possible injury from sharp edges, please carefully discard the metal sheets after parts have been removed.

## ASSEMBLY STEPS

