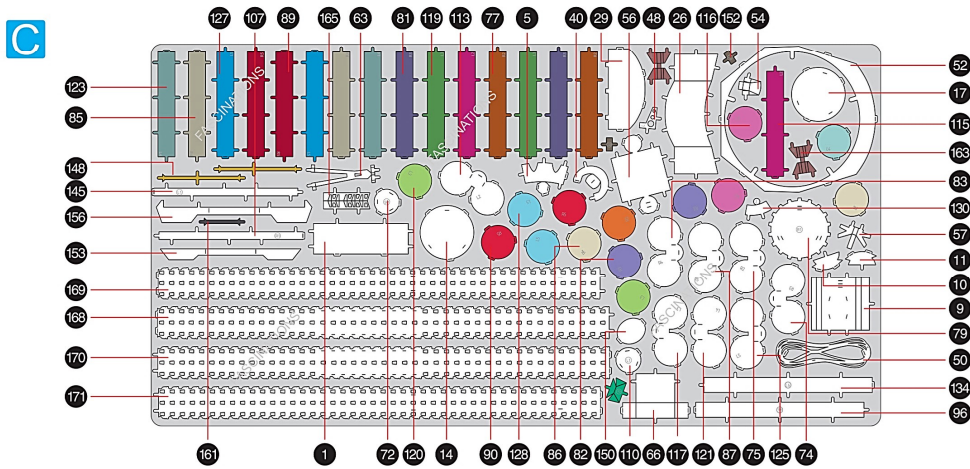
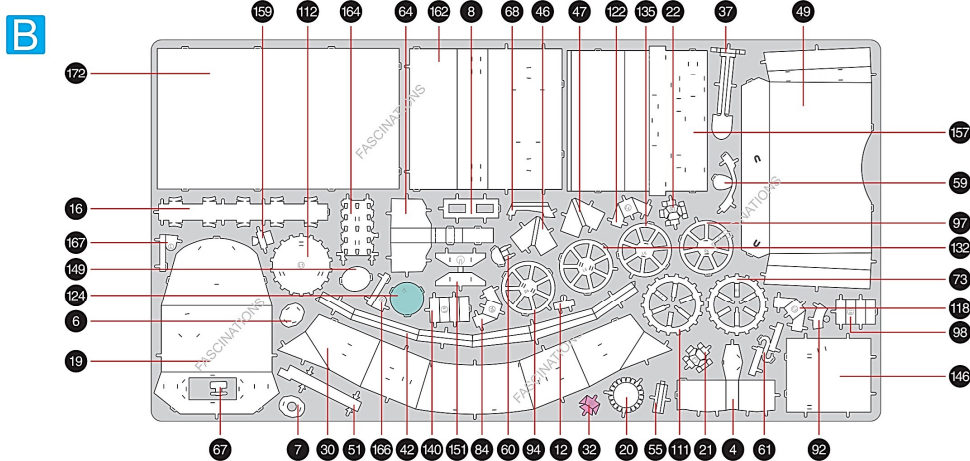
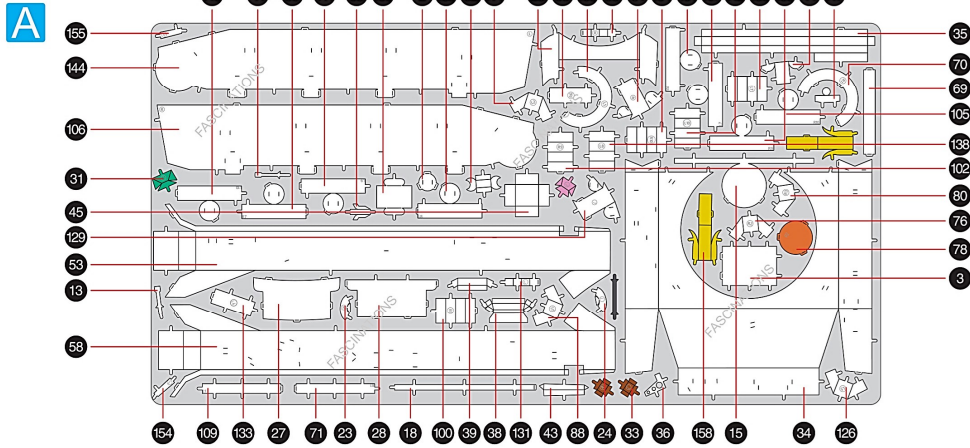


## METAL SHEETS

Parts with same color are duplicates



# Metal Earth

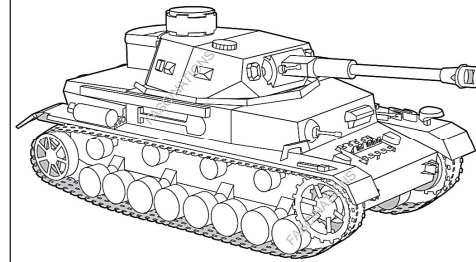
## Premium Series

360° view

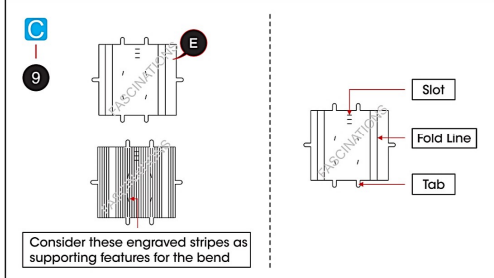


It is highly recommended that you visit [www.metalearth.com/360/ps2001](http://www.metalearth.com/360/ps2001) to see the completed model before assembling your own

### PS2001 PANZER IV



### TO CREATE THE BEST CONNECTIONS

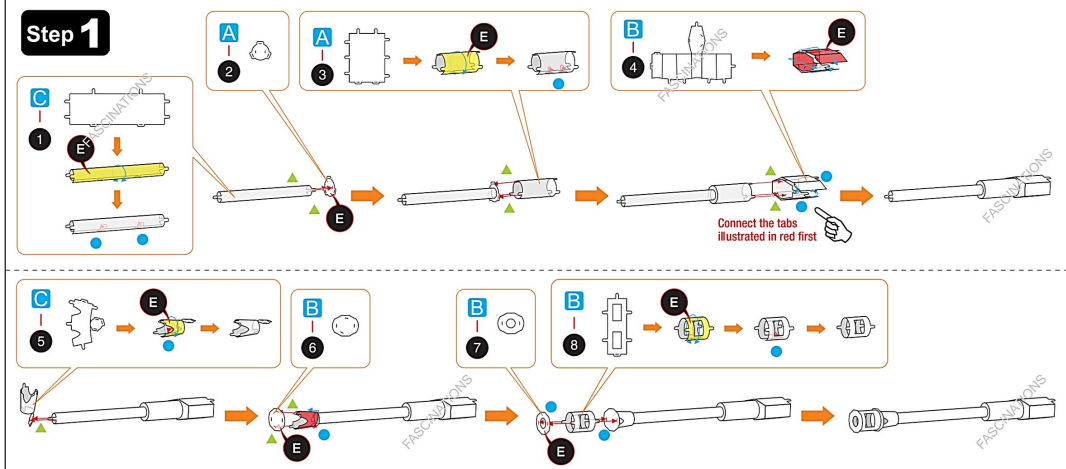


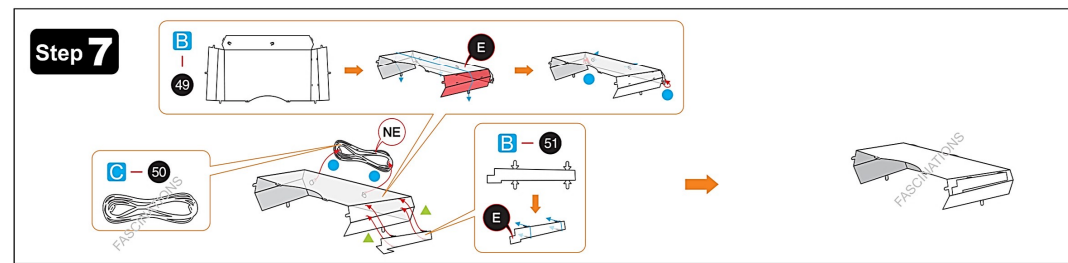
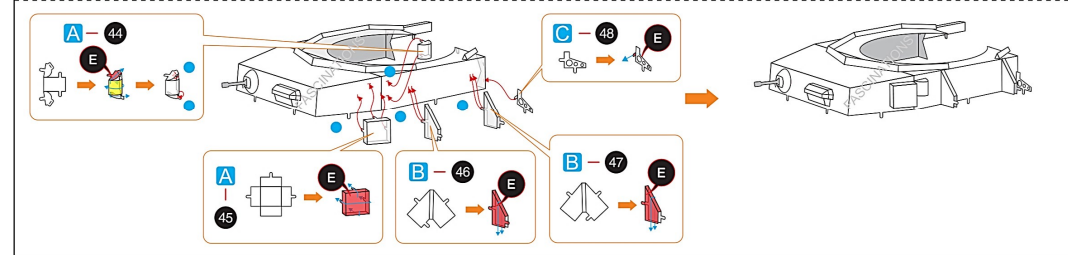
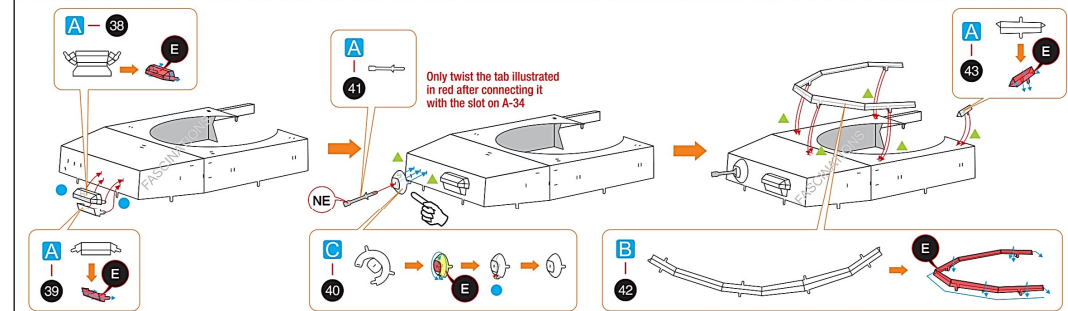
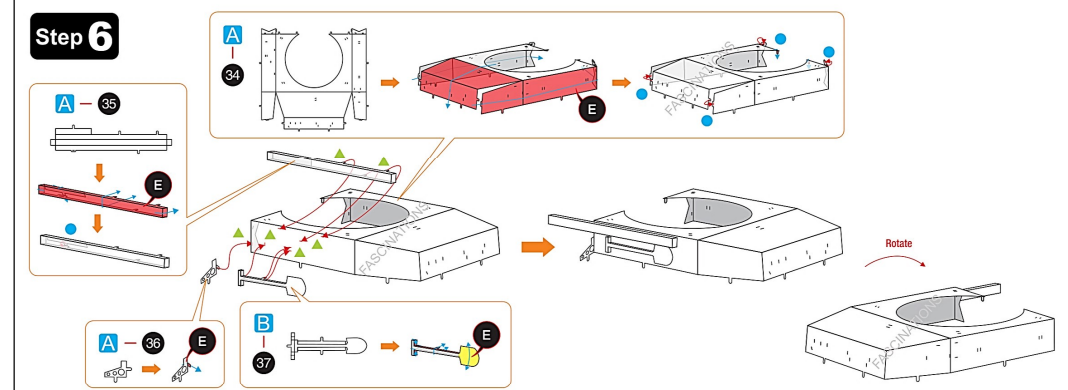
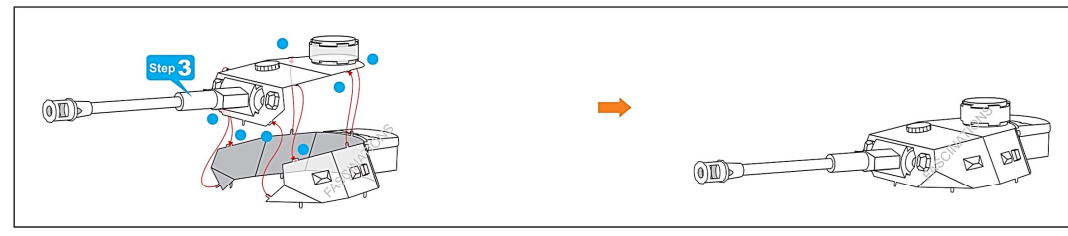
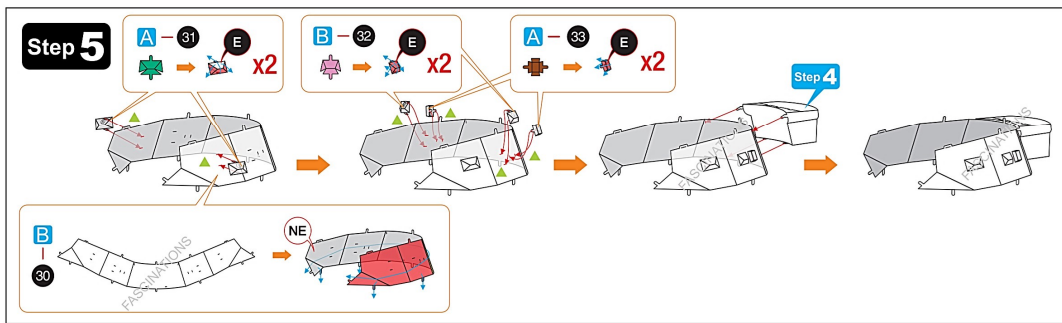
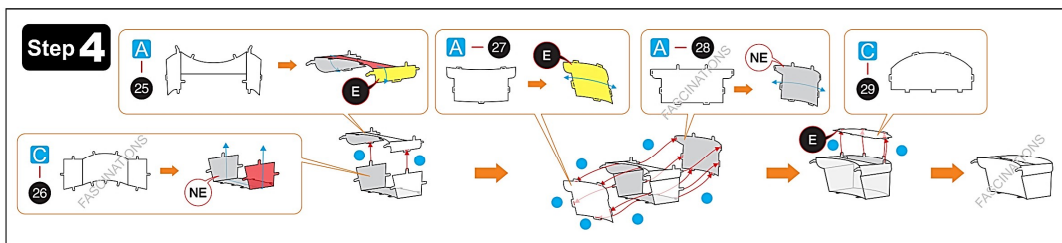
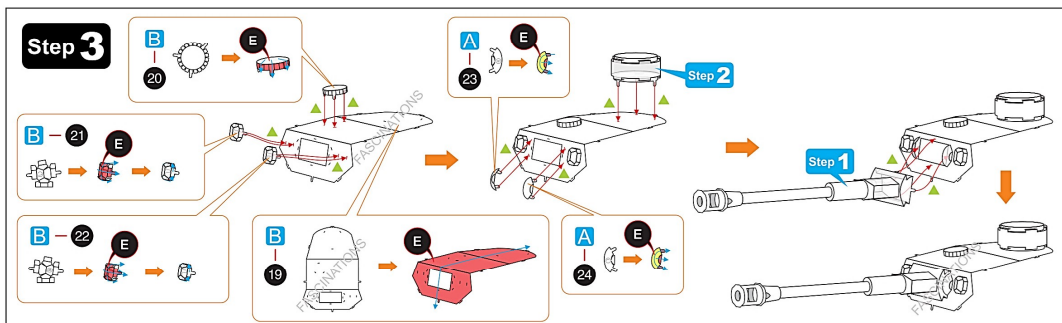
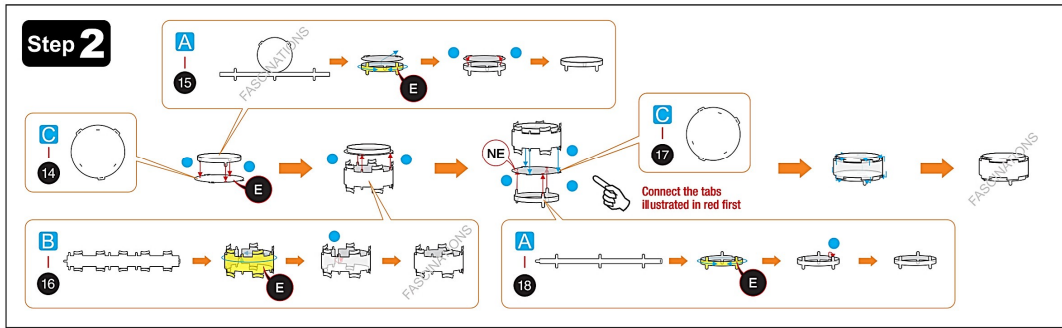
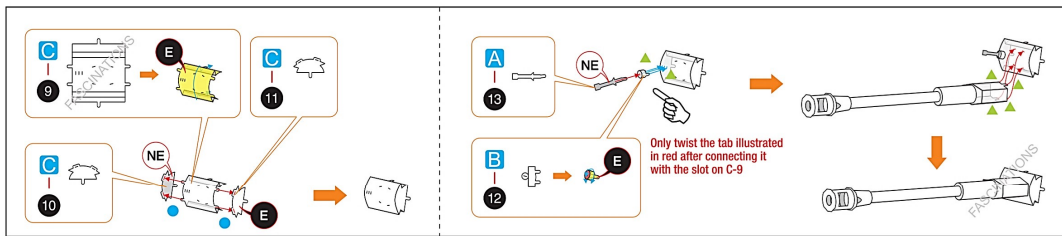
- Legends:**
- E** Engraved/ Color side
  - NE** Non-engraved/ Silver side
  - Hand icon** Attention point
  - Blue dot** Insert tab and bend 90 degrees
  - Green triangle** Insert tab and twist 90 degrees
- Recommended tools:**
- Wire cutters: helpful for taking parts from the metal sheets.
  - Tweezers or needle nose pliers: helpful for folding parts, bending and twisting tabs.

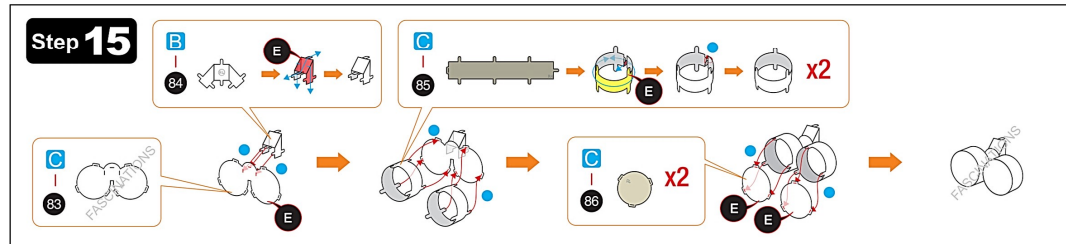
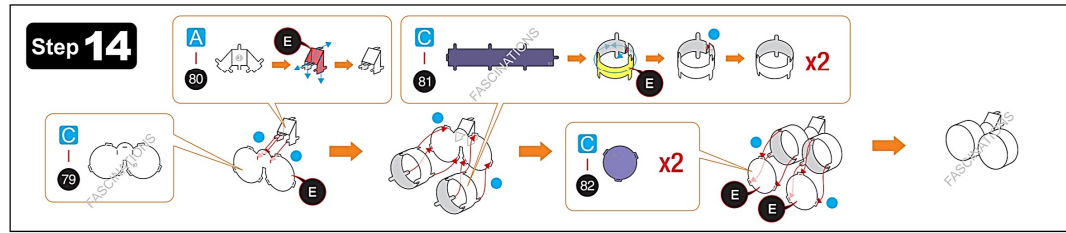
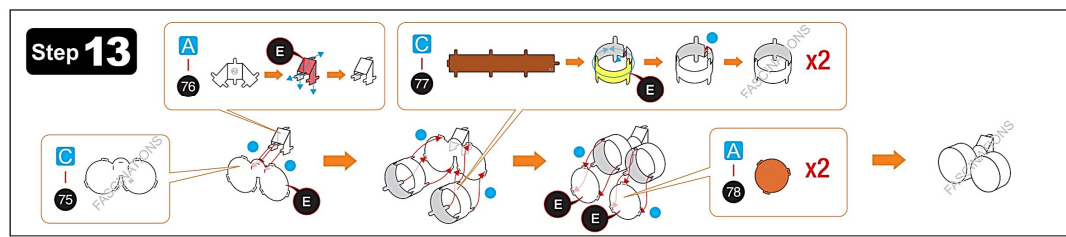
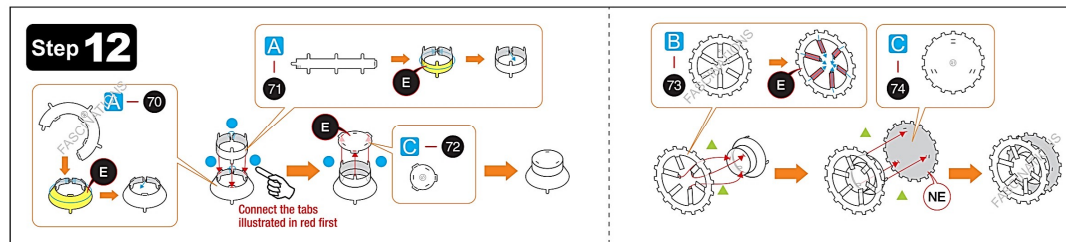
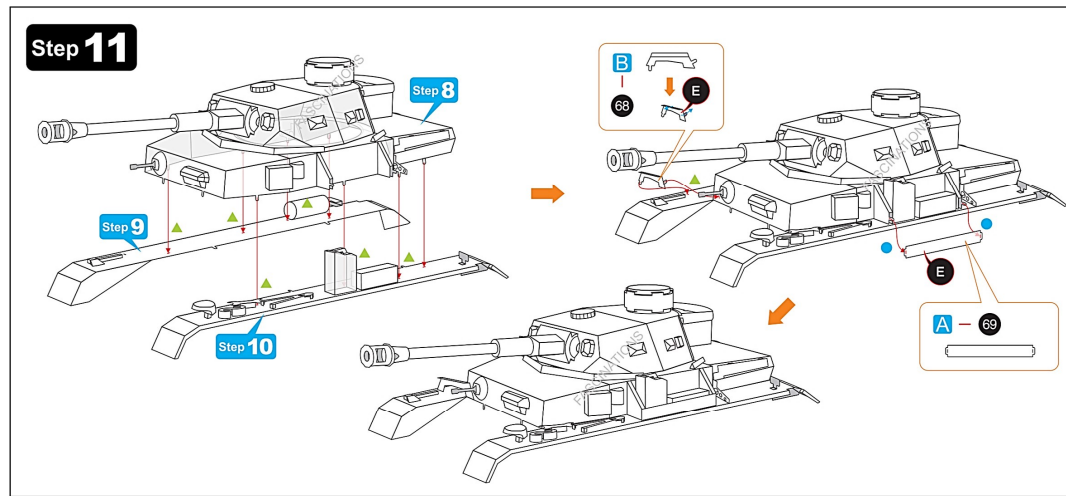
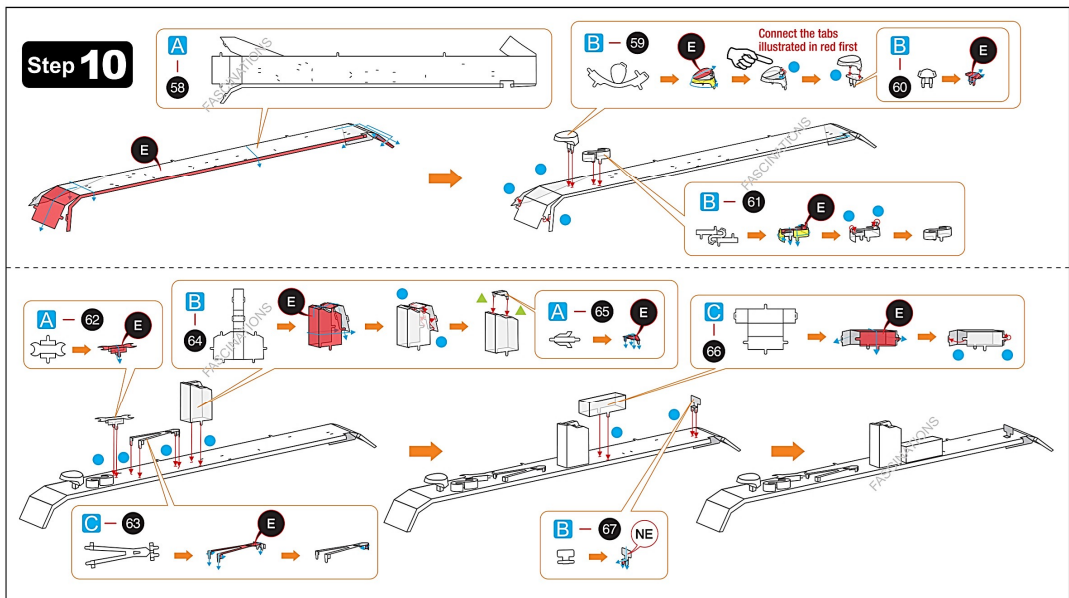
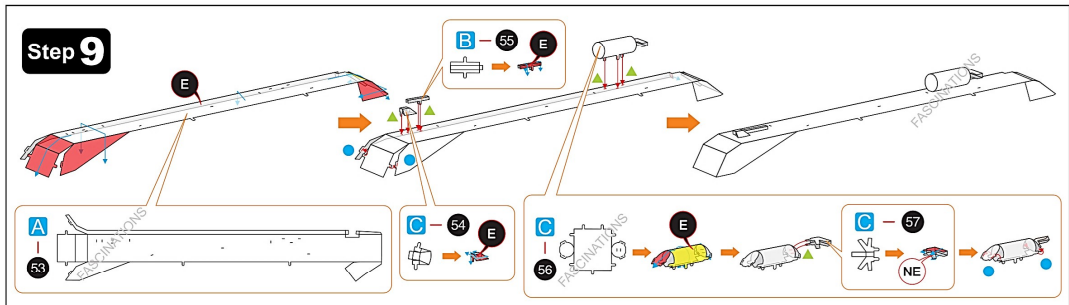
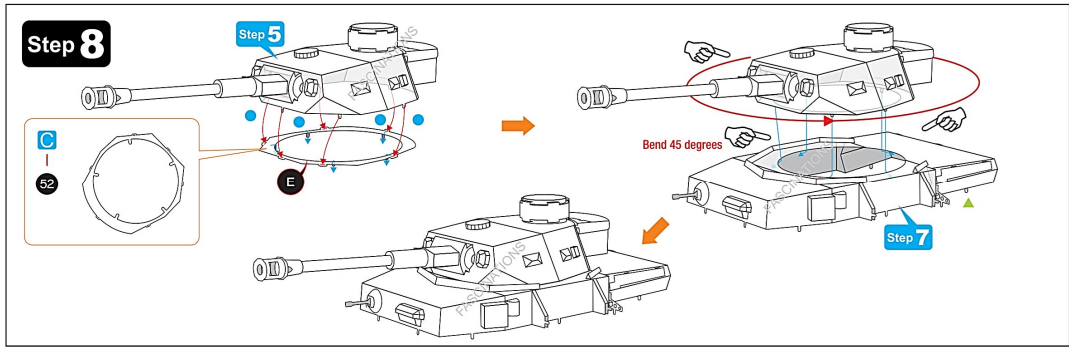
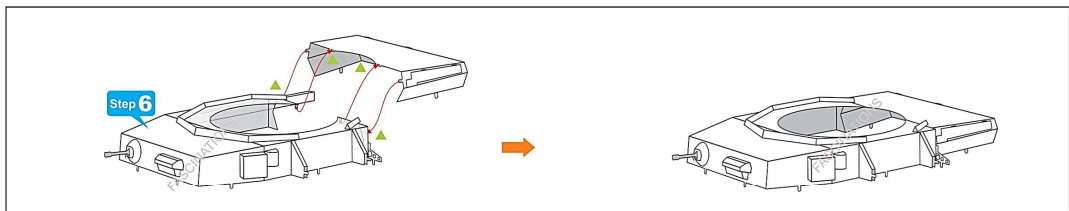
**Assembly tip:**  
If needed, slightly twist tabs to hold parts together then untwist and bend them down for a nice finish.

**Warning:** In order to avoid possible injury from sharp edges, please carefully discard the metal sheets after parts have been removed.

### ASSEMBLY STEPS







**Step 16**

Diagram illustrating the assembly of a gear component. Part A-98 is inserted into part E. Part C-89 is inserted into the assembly. Part C-87 is inserted into the assembly. Part C-90 x2 is inserted into the assembly.

**Step 17**

Diagram illustrating the assembly of a gear component. Part B-92 and E are inserted into part NE. Part B-94 is inserted into the assembly. Part A-95 and E are inserted into the assembly. Part B-97 is inserted into the assembly. Part A-91 and NE are inserted into the assembly. Part A-93 and E are inserted into the assembly. Part C-96 and E are inserted into the assembly. Connect the tabs illustrated in red first.

**Step 18**

Diagram illustrating the assembly of a gear component. Part A-98 and E are inserted into the assembly. Part B-98 and NE are inserted into the assembly.

**Step 19**

Diagram illustrating the assembly of a gear component. Part A-101 and E are inserted into the assembly. Part A-106 and NE are inserted into the assembly.

**Step 20**

Diagram illustrating the assembly of a gear component. Part A-103 and E are inserted into the assembly. Part A-102 and NE are inserted into the assembly.

**Step 21**

Diagram illustrating the assembly of a gear component. Part A-105 and E are inserted into the assembly. Part A-104 and NE are inserted into the assembly.

**Step 22**

Diagram illustrating the assembly of a gear component. Part C-107 and NE are inserted into the assembly. Connect the tabs illustrated in red first. A large diagram shows the assembly of a long gear train with parts from steps 12, 13, 14, 15, 16, 18, 19, 20, and 21.

**Step 23**

Diagram illustrating the assembly of a gear component. Part A-109 and E are inserted into the assembly. Part B-111 and E are inserted into the assembly. Part B-112 and E are inserted into the assembly. Part C-110 and E are inserted into the assembly. Connect the tabs illustrated in red first.

**Step 24**

Diagram illustrating the assembly of a gear component. Part A-114 and E are inserted into the assembly. Part C-115 and E are inserted into the assembly. Part C-113 and E are inserted into the assembly. Part C-116 x2 and E are inserted into the assembly.

**Step 25**

Diagram illustrating the assembly of a gear component. Part B-116 and E are inserted into the assembly. Part C-119 and E are inserted into the assembly. Part C-117 and E are inserted into the assembly. Part C-120 x2 and E are inserted into the assembly.

**Step 26**

Diagram illustrating the assembly of a gear component. Part B-122 and E are inserted into the assembly. Part C-123 and E are inserted into the assembly. Part C-121 and E are inserted into the assembly. Part B-124 x2 and E are inserted into the assembly.

**Step 27**

Diagram illustrating the assembly of a gear component. Part A-126 and E are inserted into the assembly. Part C-127 and E are inserted into the assembly. Part C-125 and E are inserted into the assembly. Part C-128 x2 and E are inserted into the assembly.

**Step 28**

Diagram illustrating the assembly of a gear component. Part C-130 and E are inserted into the assembly. Part B-132 and E are inserted into the assembly. Part A-133 and E are inserted into the assembly. Part B-135 and E are inserted into the assembly. Part A-129 and NE are inserted into the assembly. Part A-131 and E are inserted into the assembly. Part C-134 and E are inserted into the assembly. Connect the tabs illustrated in red first.

**Step 29**

Assembly diagrams for Step 29 showing the installation of parts A-136, E, and NE onto a sub-assembly.

**Step 30**

Assembly diagrams for Step 30 showing the installation of parts A-139, E, and NE onto a sub-assembly.

**Step 31**

Assembly diagrams for Step 31 showing the installation of parts A-141, E, and NE onto a sub-assembly.

**Step 32**

Assembly diagrams for Step 32 showing the installation of parts A-143, E, and NE onto a sub-assembly.

**Step 33**

Assembly diagram for Step 33 showing the connection of tabs on a large chassis plate. Callouts indicate steps 23, 24, 25, 26, 27, 29, and 30. A note says "Connect the tabs illustrated in red first".

**Step 34**

Assembly diagrams for Step 34 showing the installation of parts B-146, E, C-150, A-147, E, C-148, E, and B-149, E.

Assembly diagrams for Step 34 showing the installation of parts B-151, E, C-152, E, C-156, E, C-153, E, A-154, and A-155.

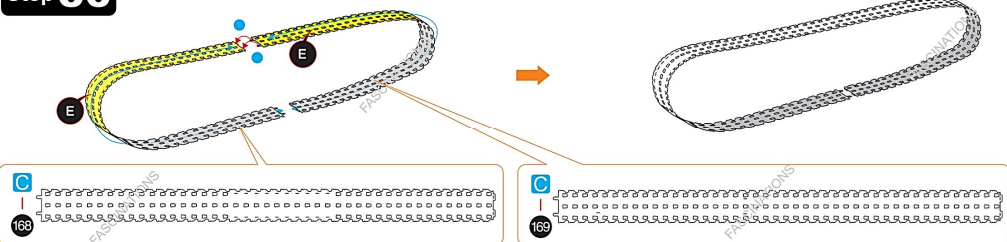
Assembly diagrams for Step 35 showing the installation of parts B-157, NE, E, B-159, E, A-160, E, A-158, E, and C-161, E.

**Step 35**

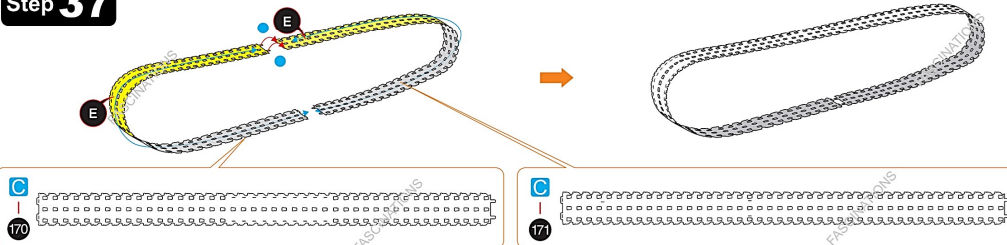
Assembly diagrams for Step 35 showing the installation of parts B-162, E, B-164, E, C-165, E, Step 22, Step 34, Step 33, and C-163, E. A note says "Connect the tabs illustrated in red first".

Assembly diagrams for Step 35 showing the installation of parts B-166, E, B-167, E, and C-153, E.

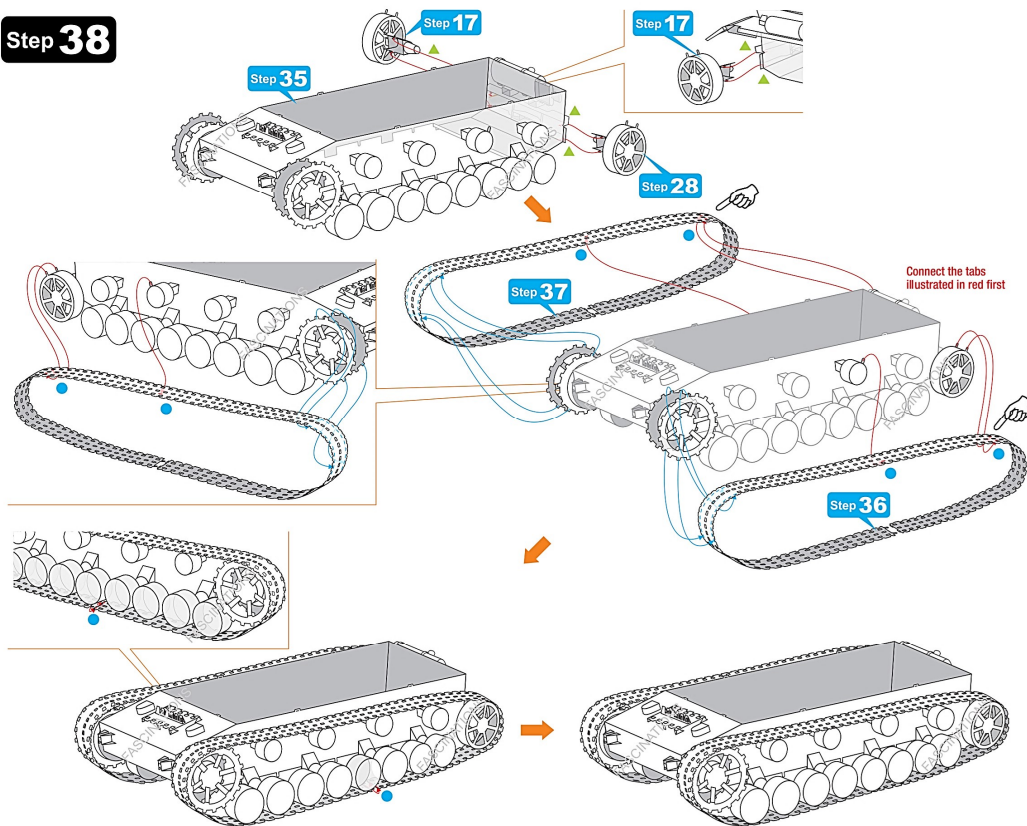
Step 36



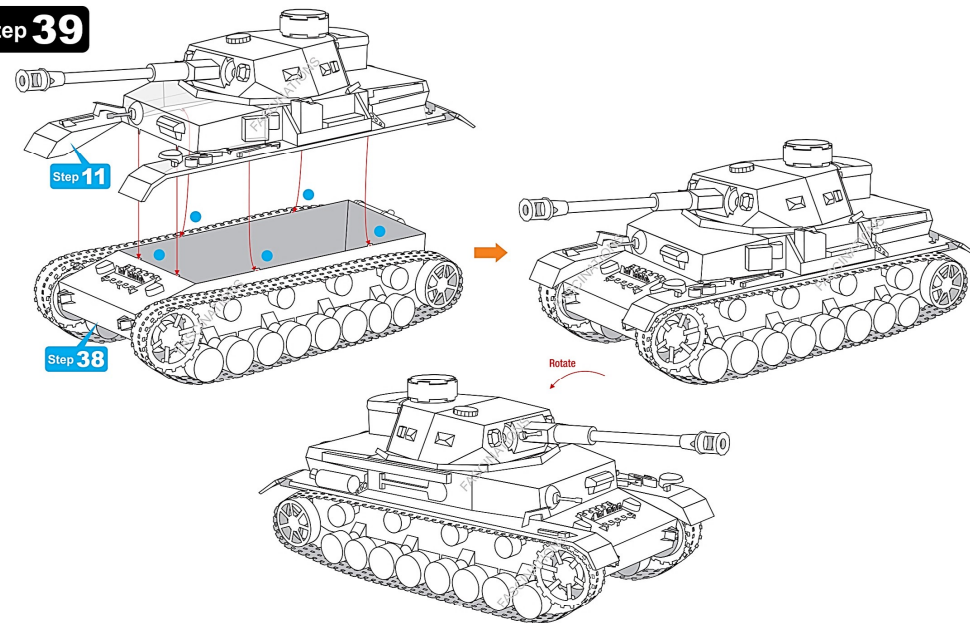
Step 37



Step 38



Step 39



Step 40

