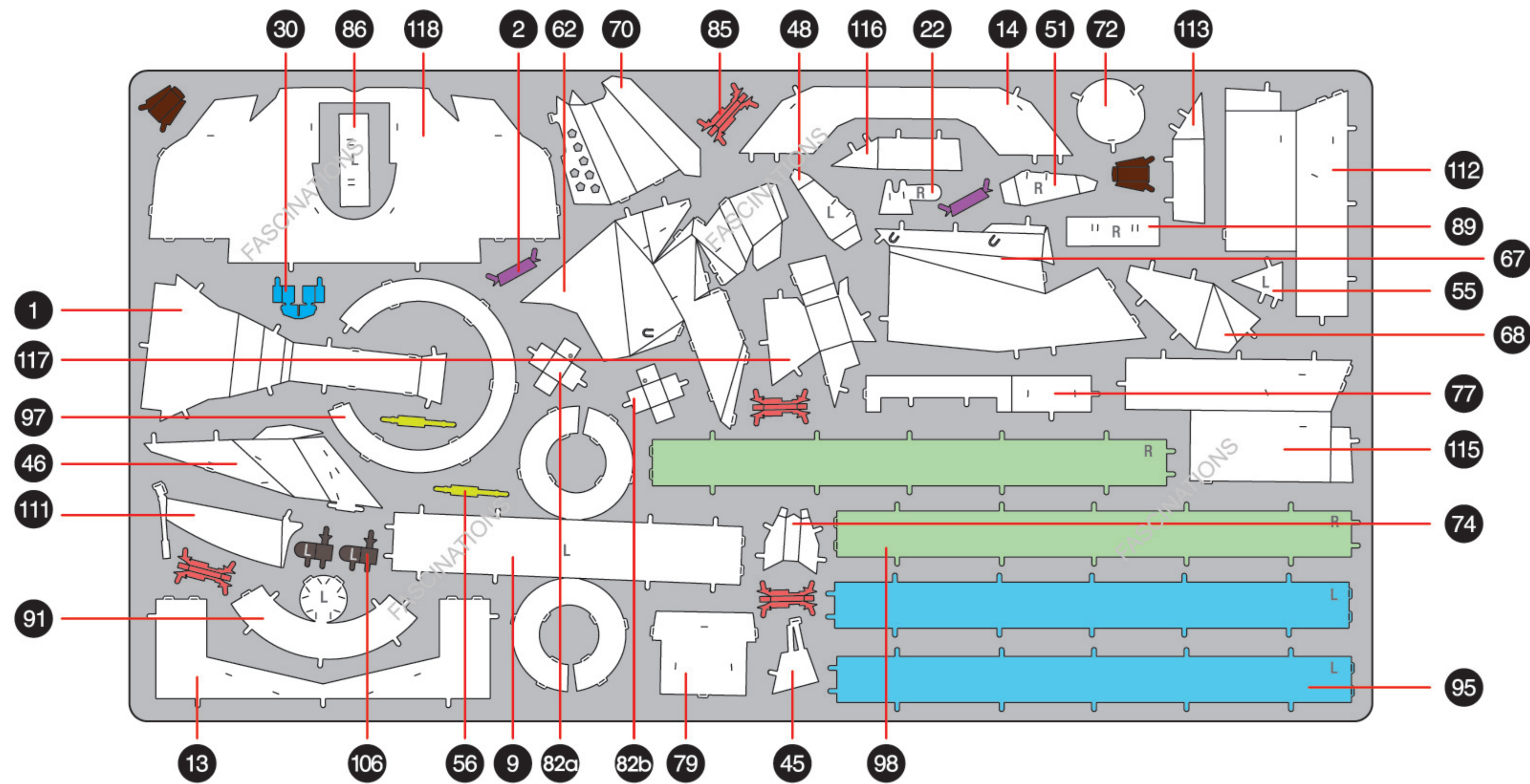


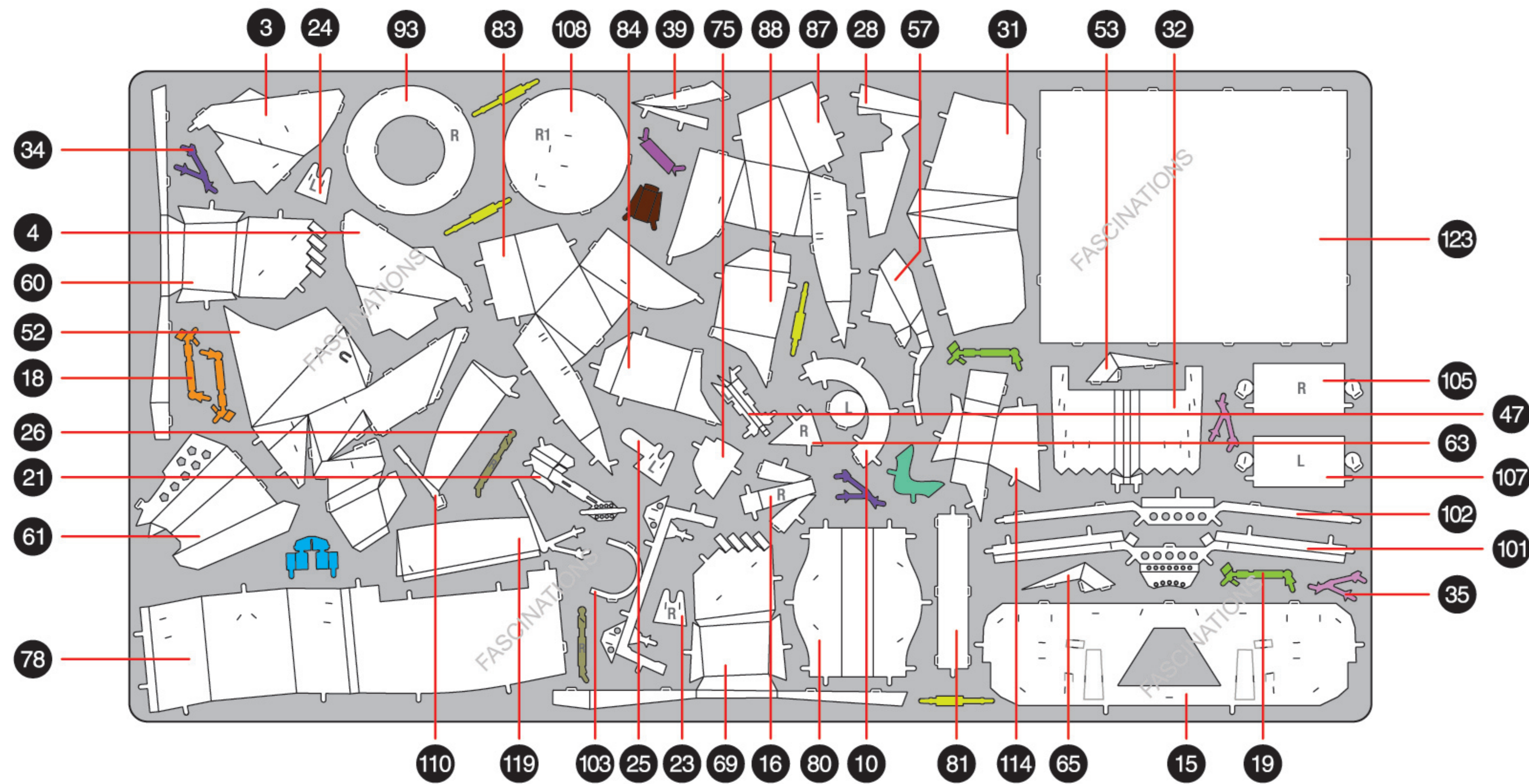
METAL SHEETS

Parts with same color are duplicates

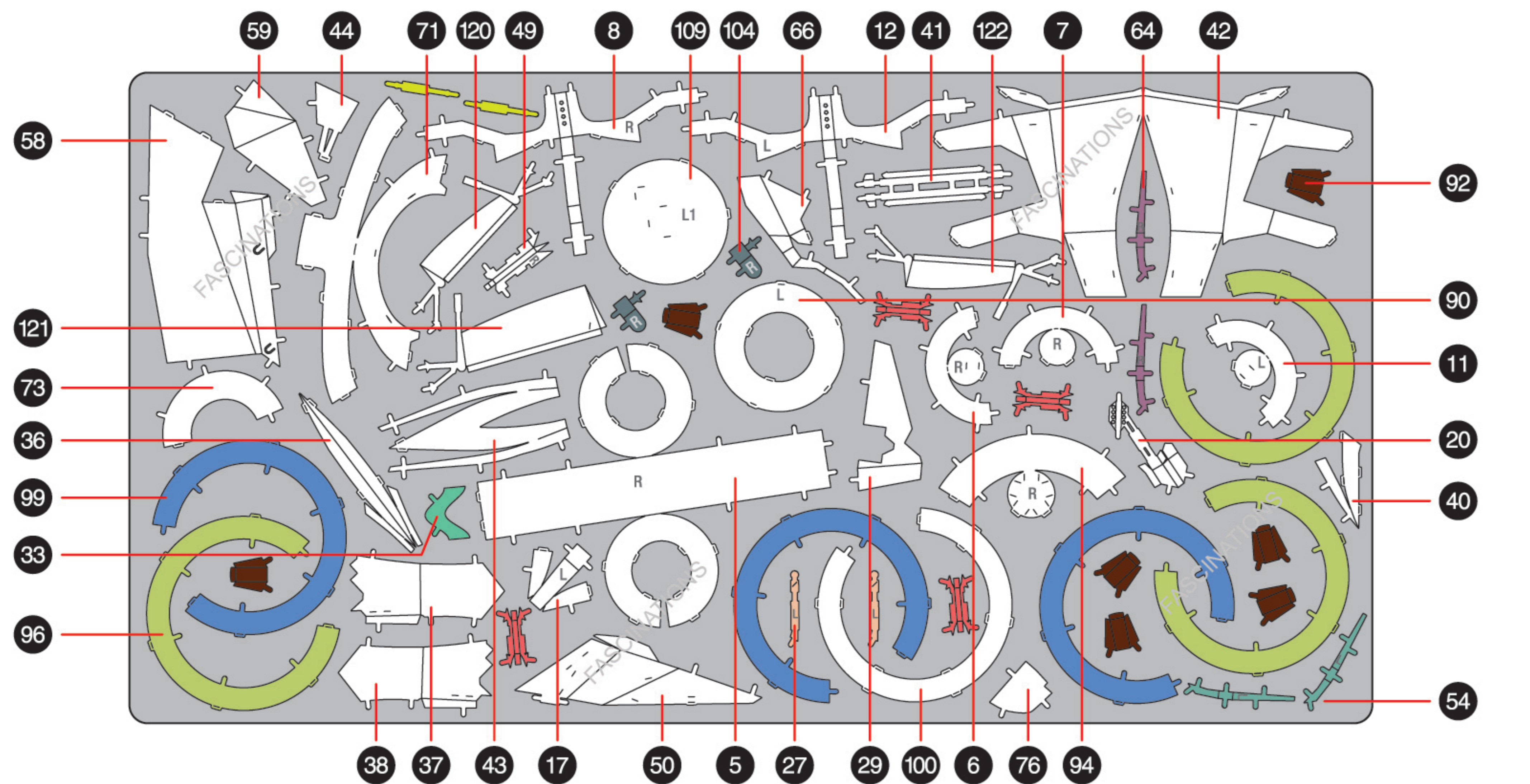
A



B



C



Metal Earth

Premium Series

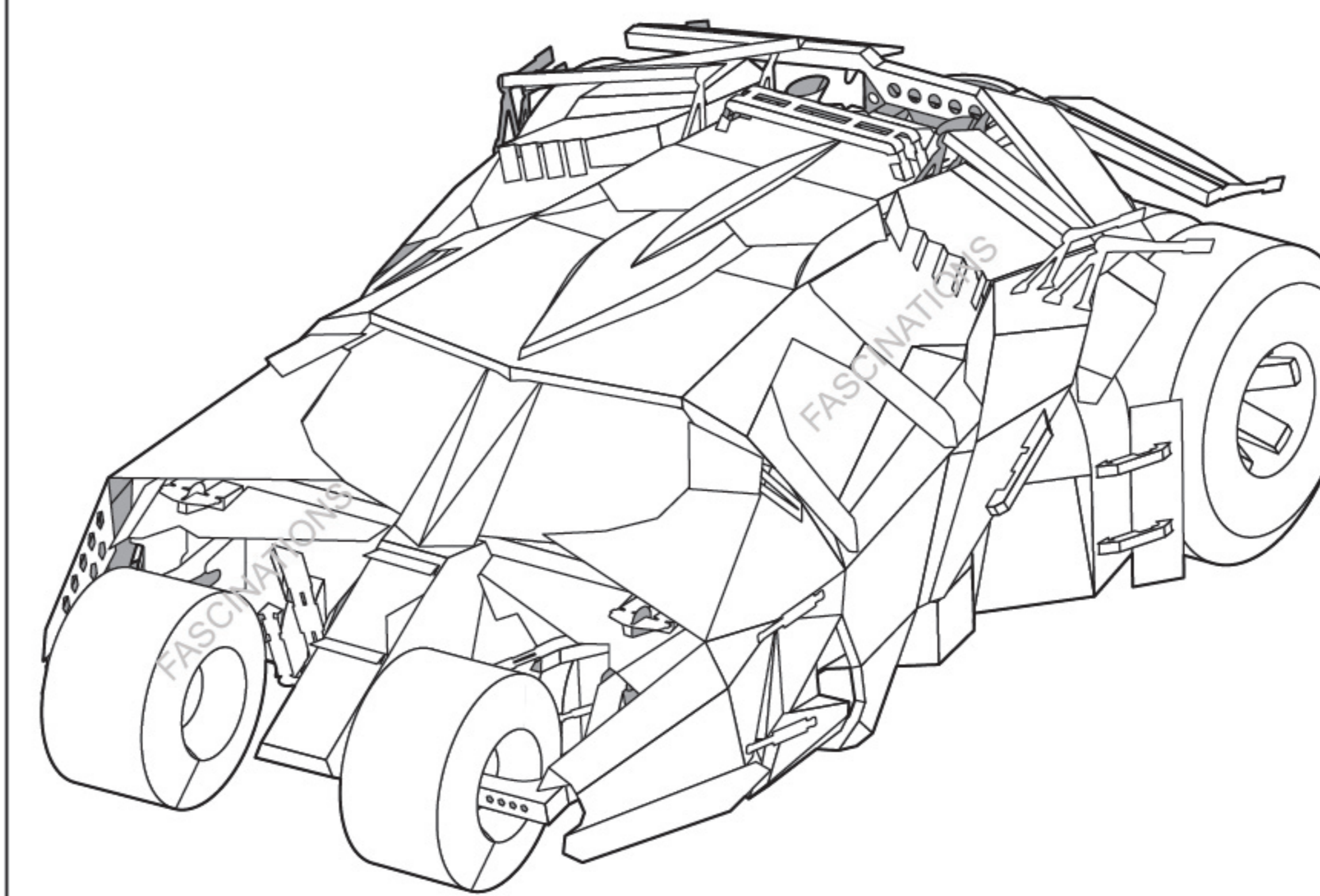
360°
view



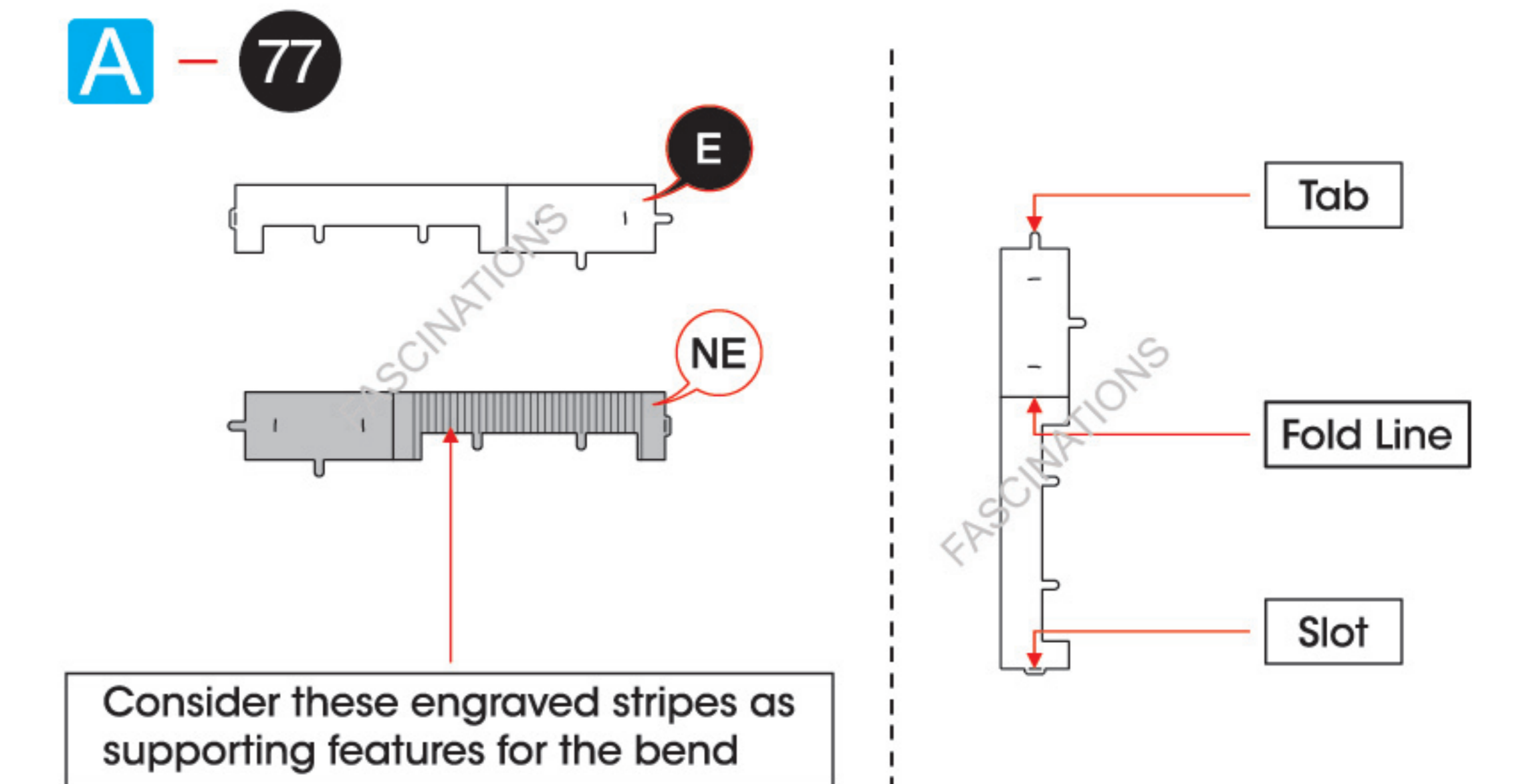
It is highly recommended that you visit www.metalearth.com/360/PS2006 to see the completed model before assembling your own



PS2006 BATMAN TUMBLER™



TO CREATE THE BEST CONNECTIONS

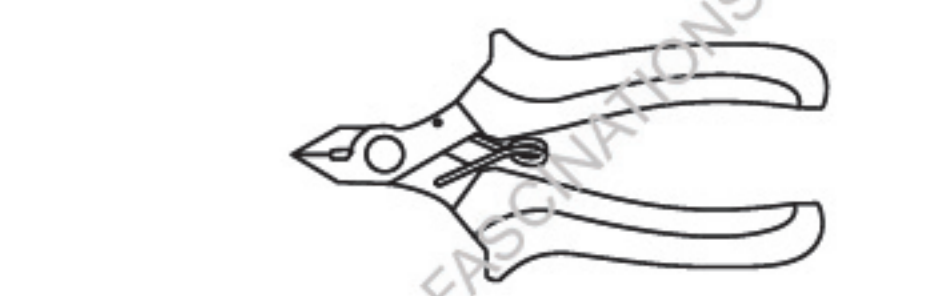


Legends:

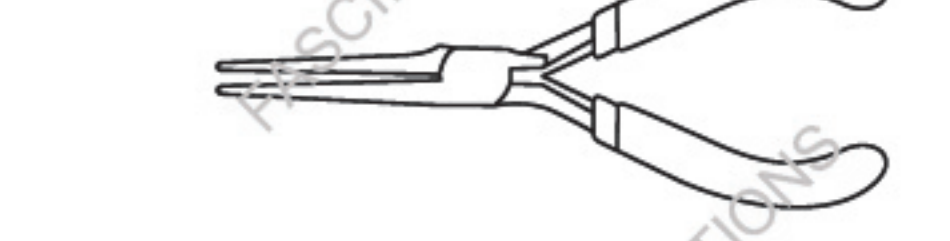
- E** Engraved/ Color side
- NE** Non - engraved/ Silver side
- Attention point
- Insert tab and bend 90 degrees
- Insert tab and twist 90 degrees

Recommended tools:

- Wire cutters: helpful for taking parts from the metal sheets.



- Tweezers or needle nose pliers: helpful for folding parts, bending and twisting tabs.



Assembly tip:

If needed, slightly twist tabs to hold parts together then untwist and bend them down for a nice finish.

Yellow areas should be curled

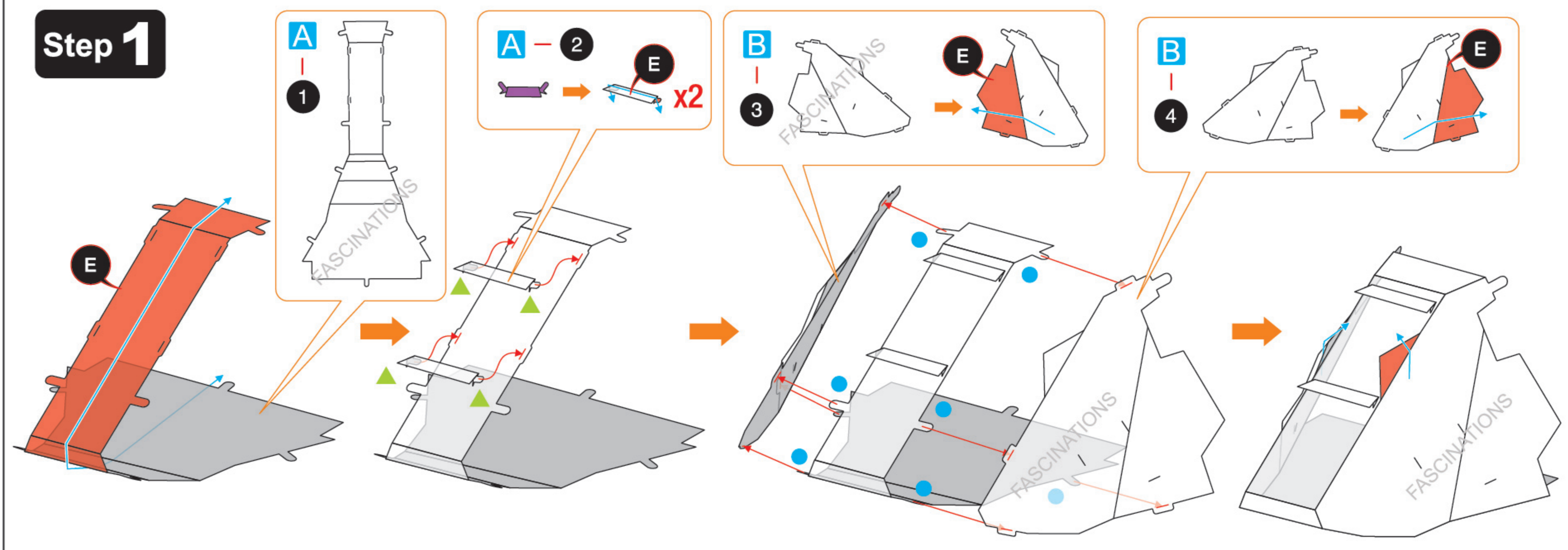
Red areas should be folded



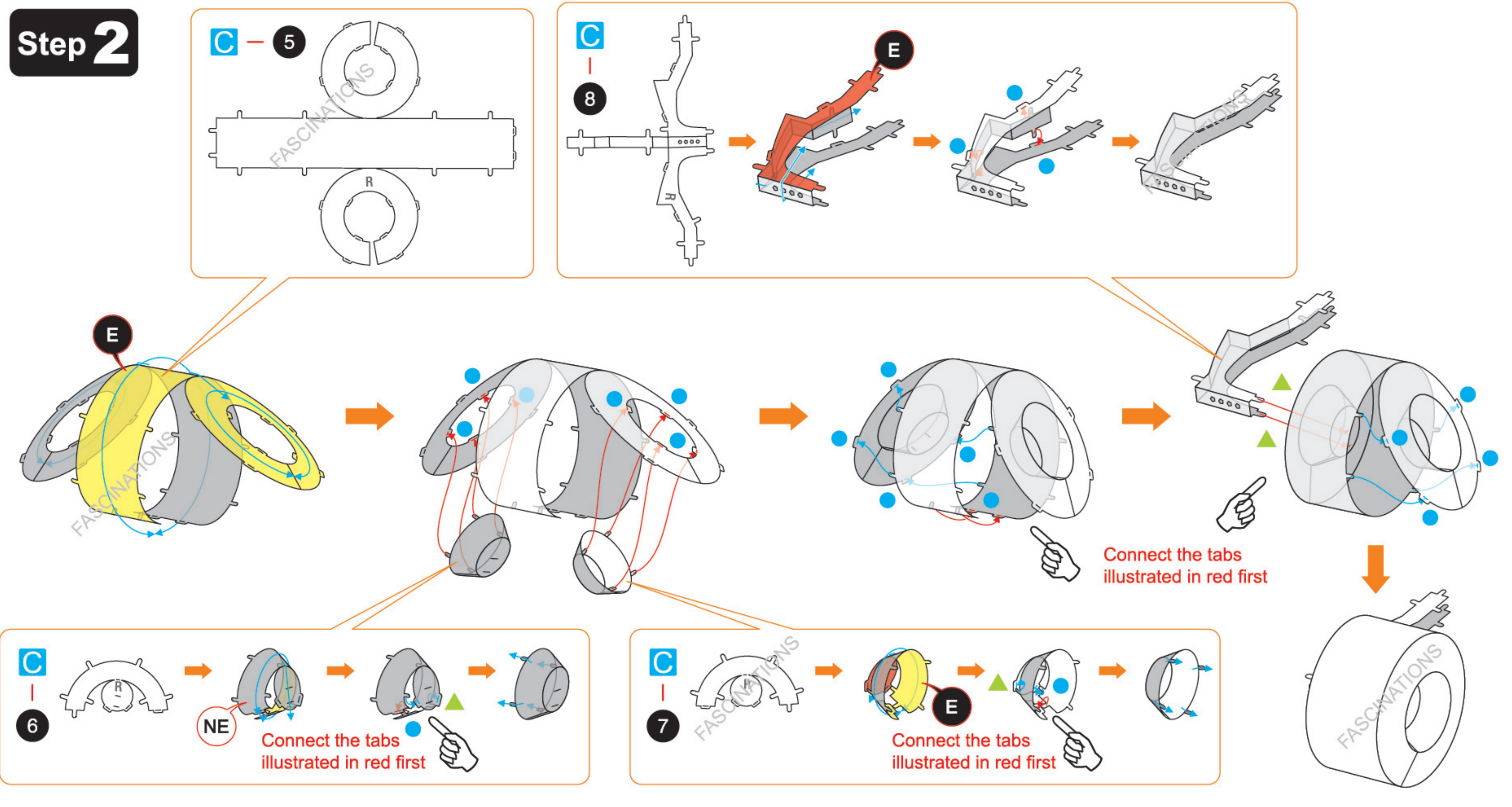
In order to avoid possible injury from sharp edges, please carefully discard the metal sheets after parts have been removed.

ASSEMBLY STEPS

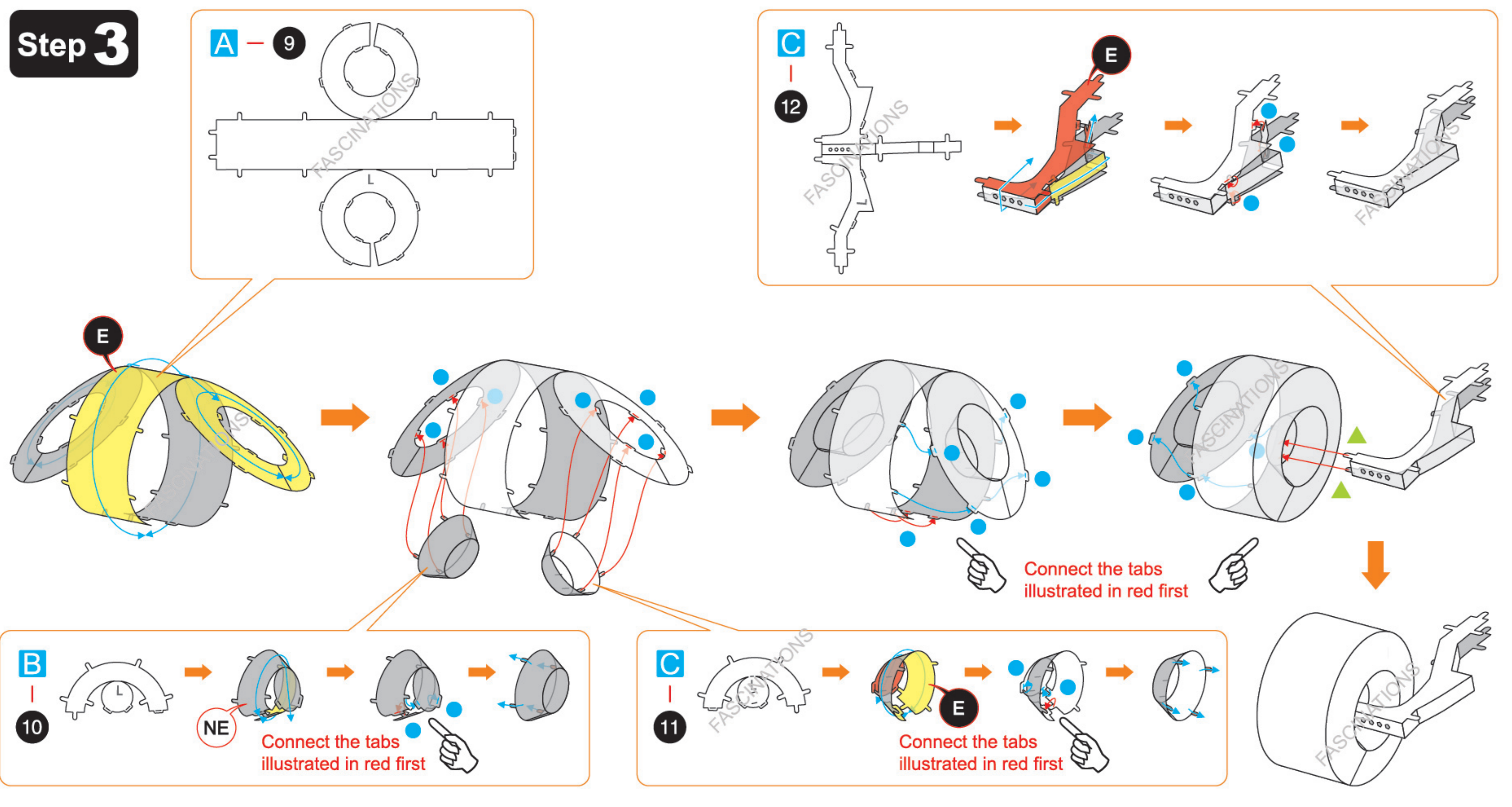
Step 1



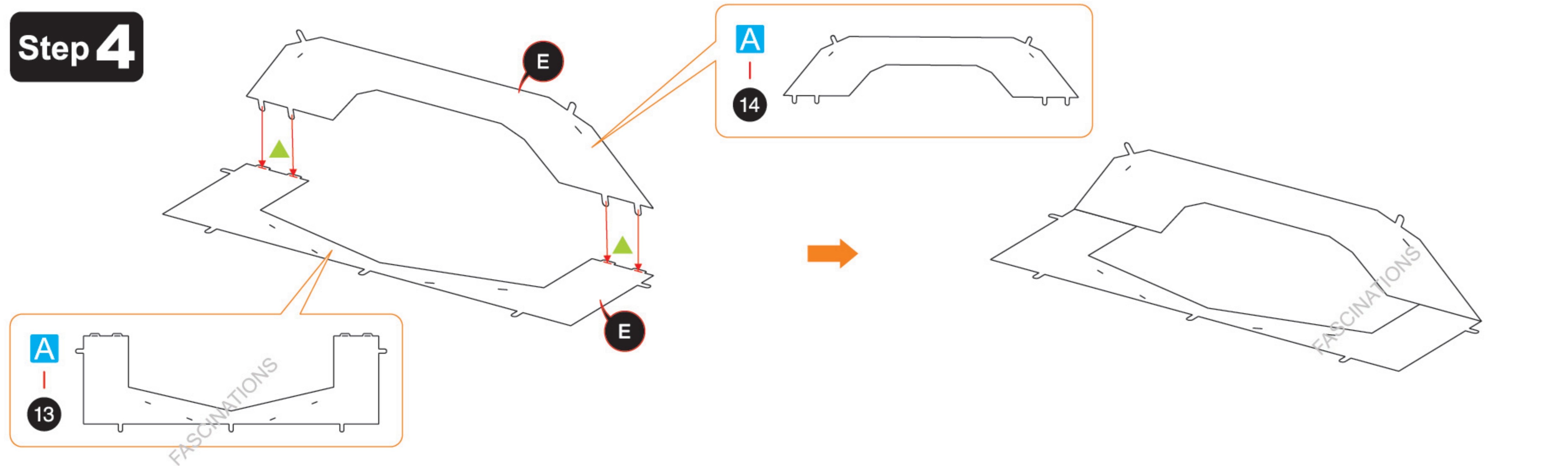
Step 2



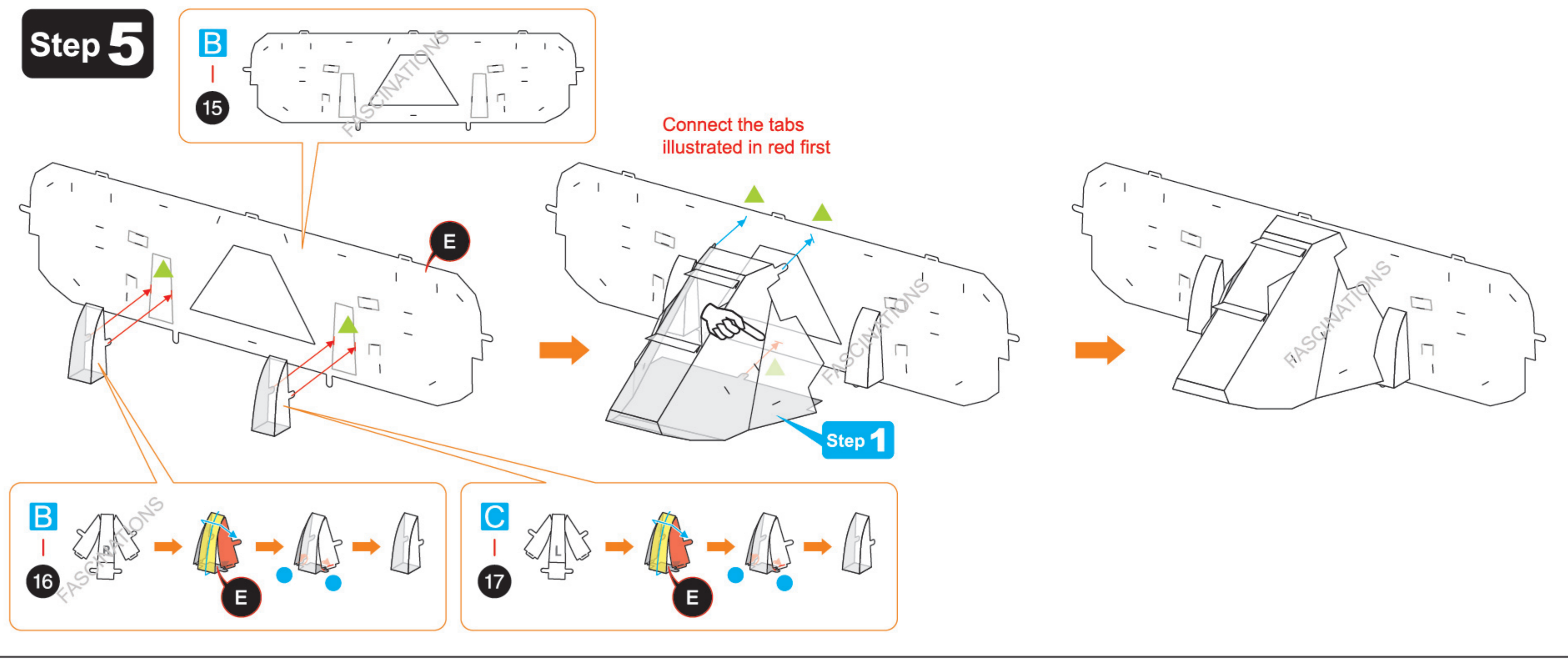
Step 3



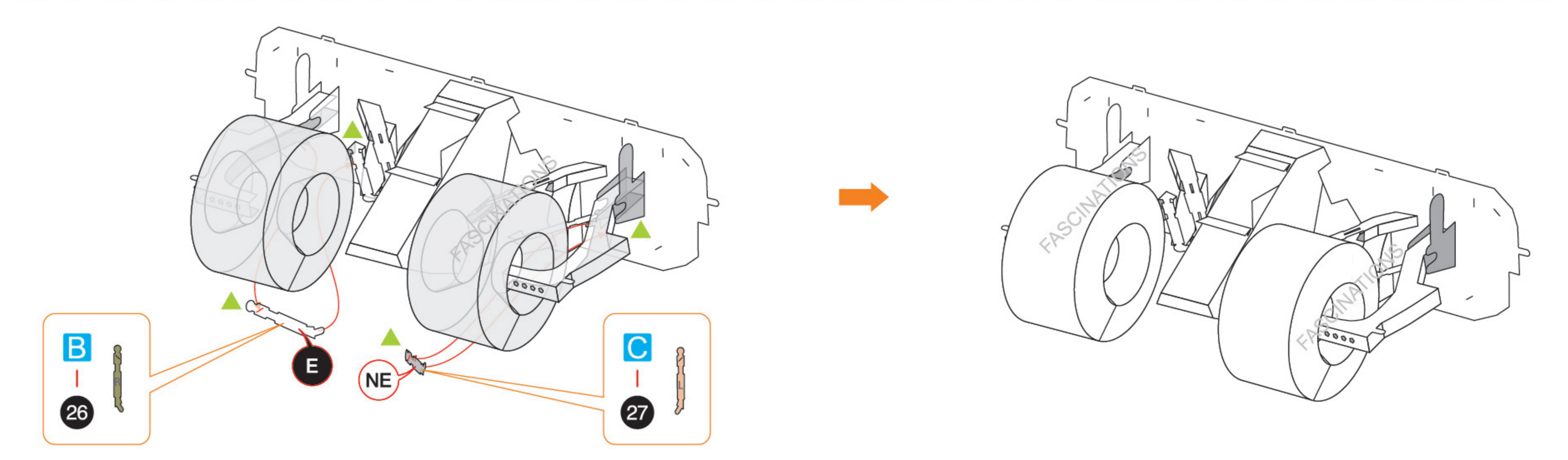
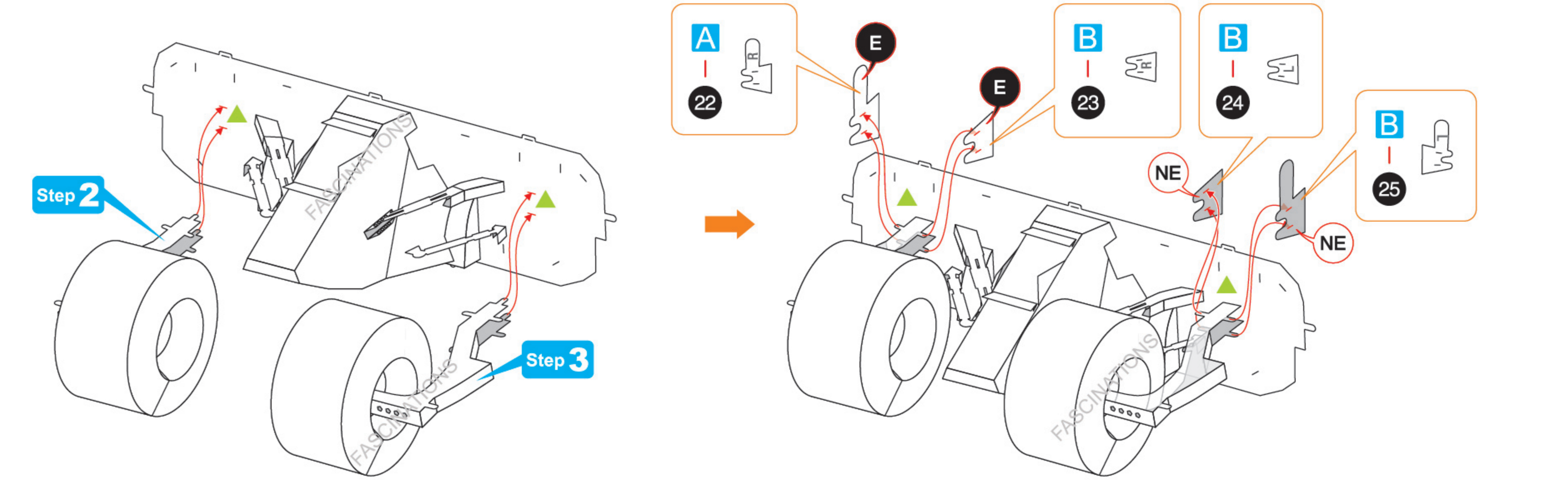
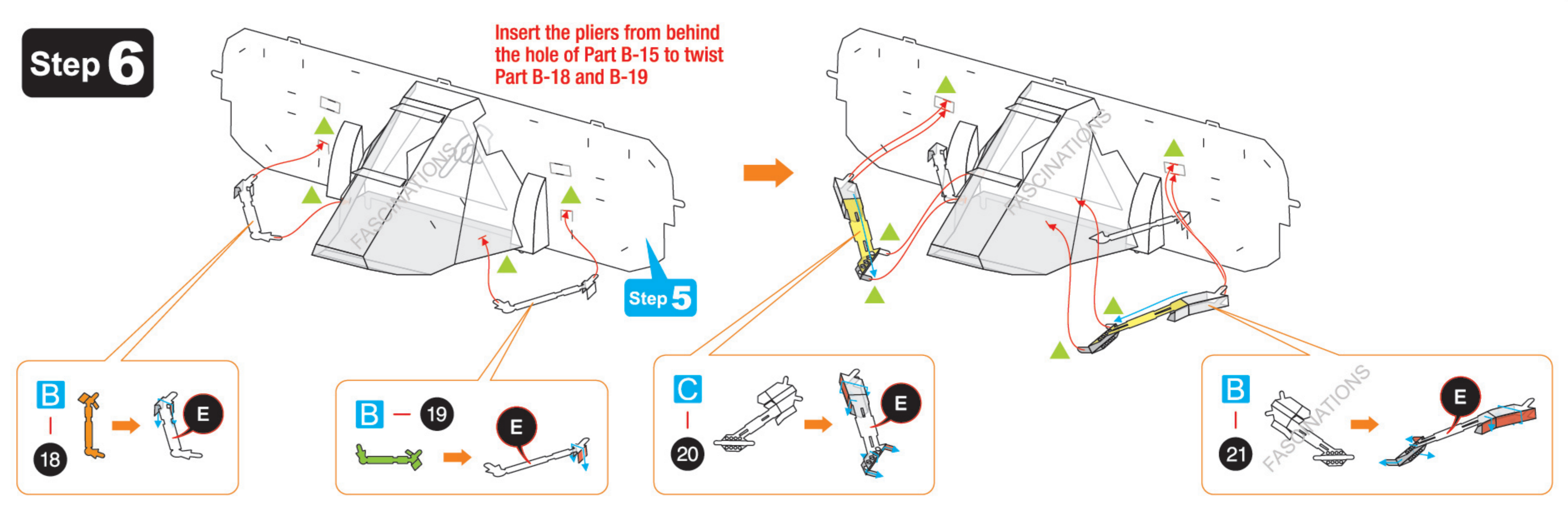
Step 4

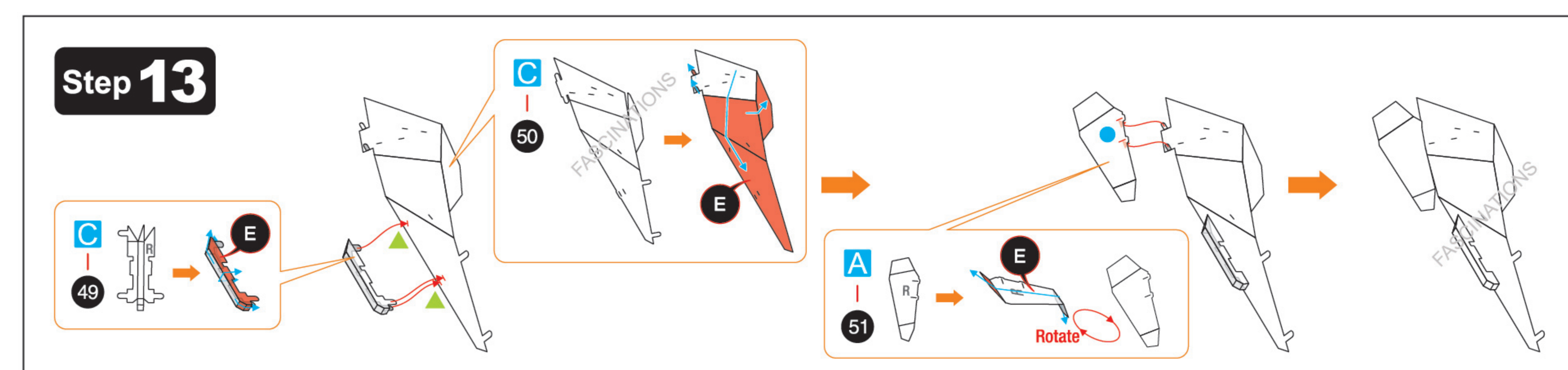
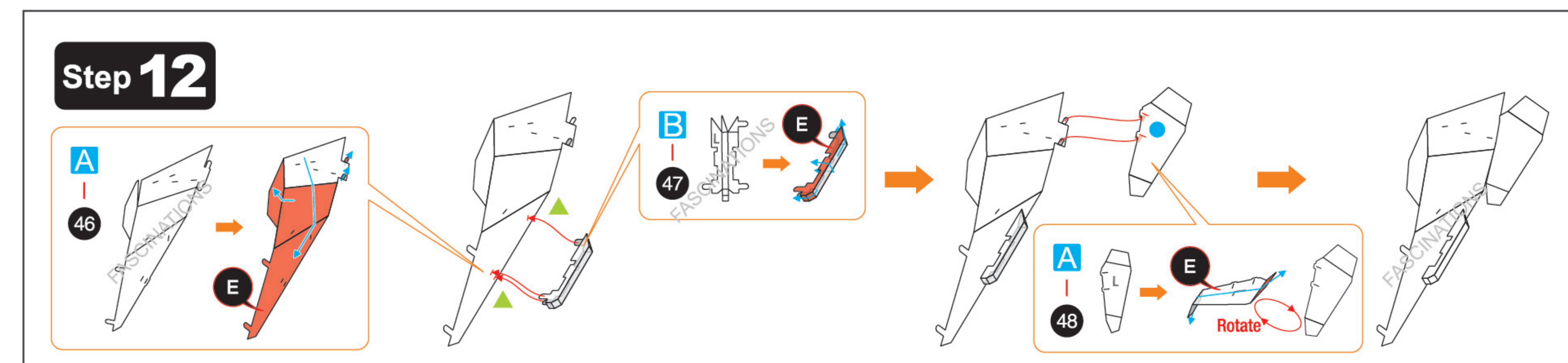
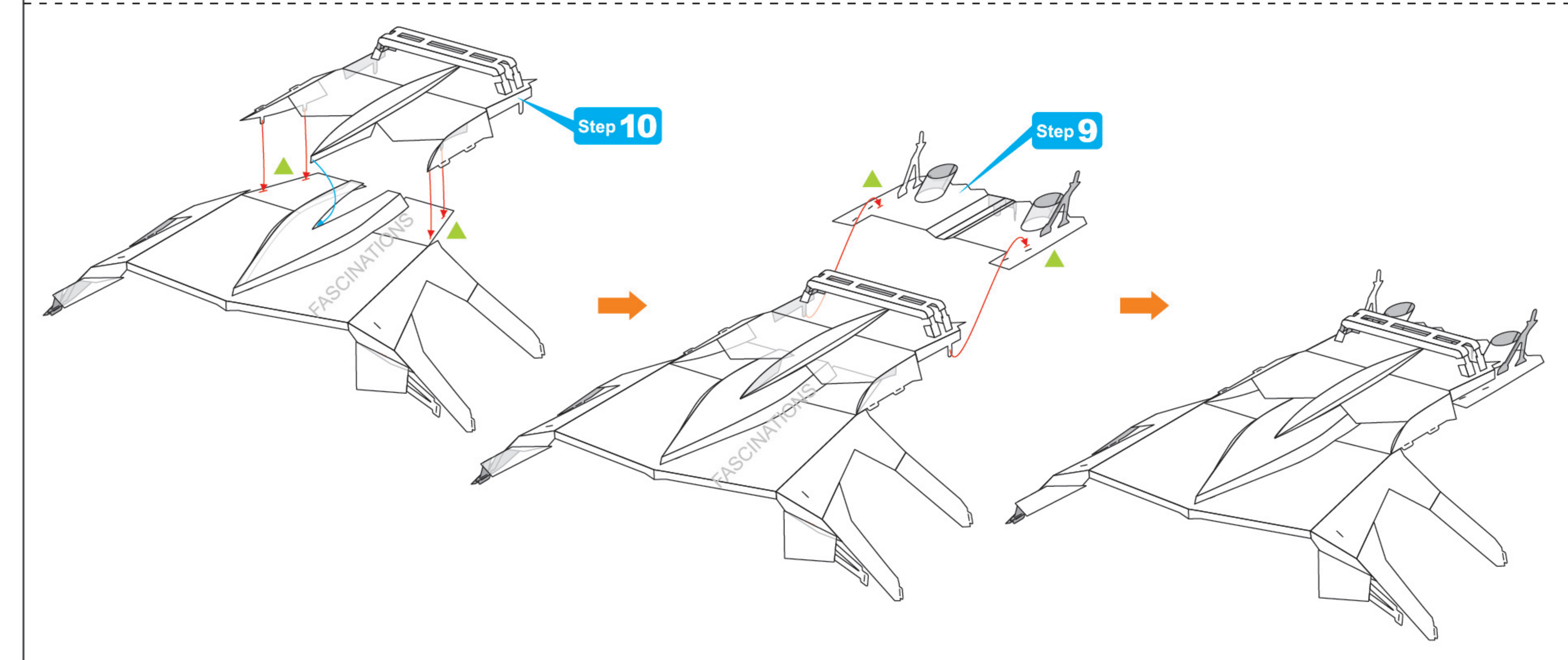
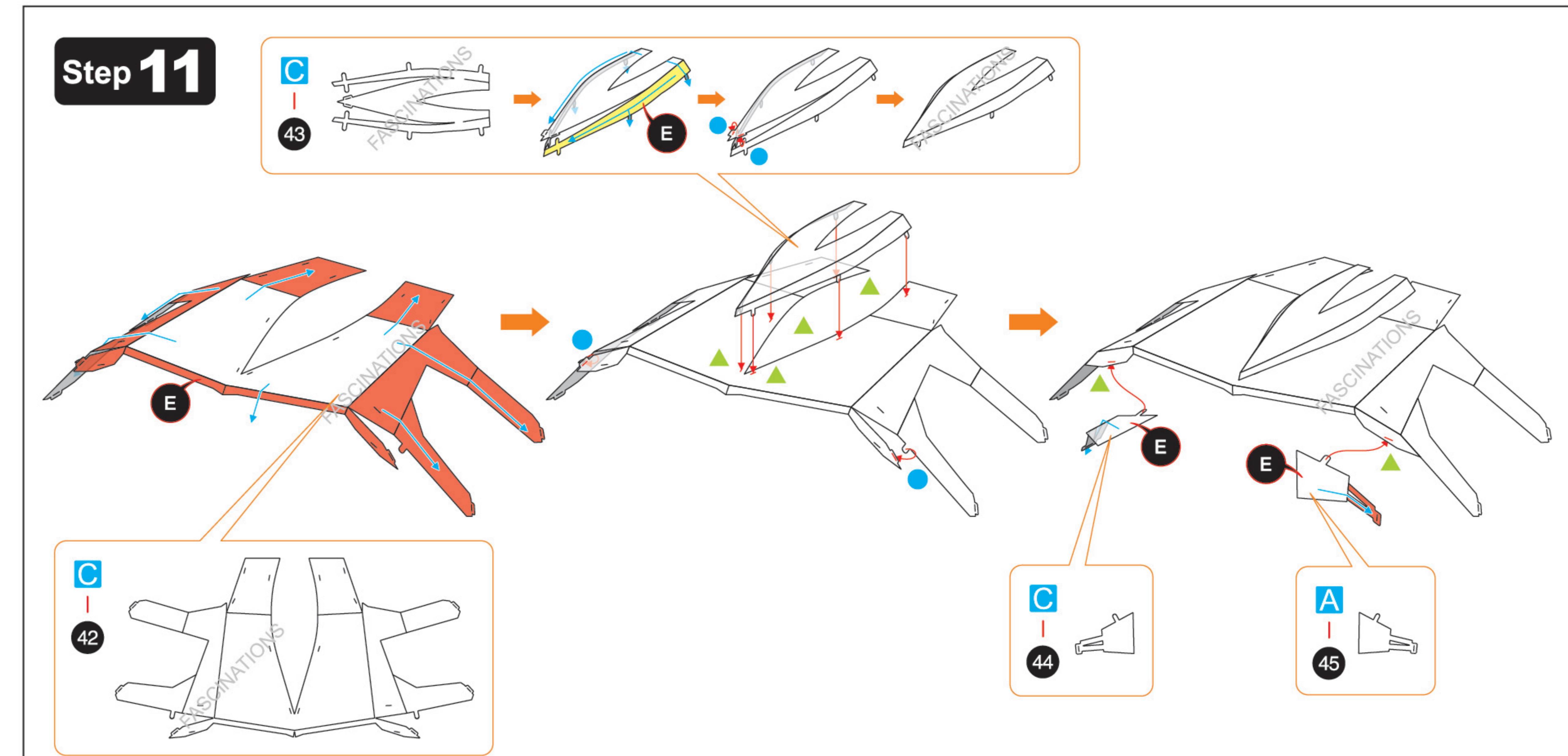
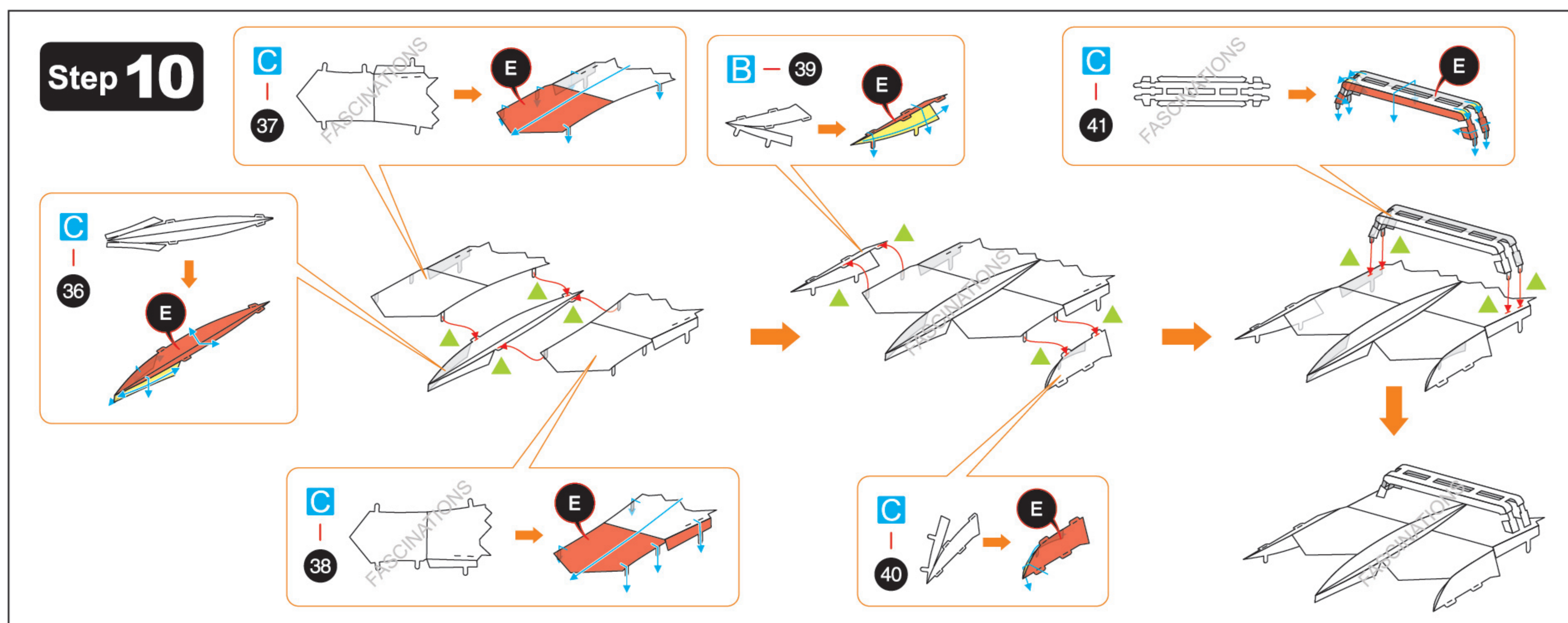
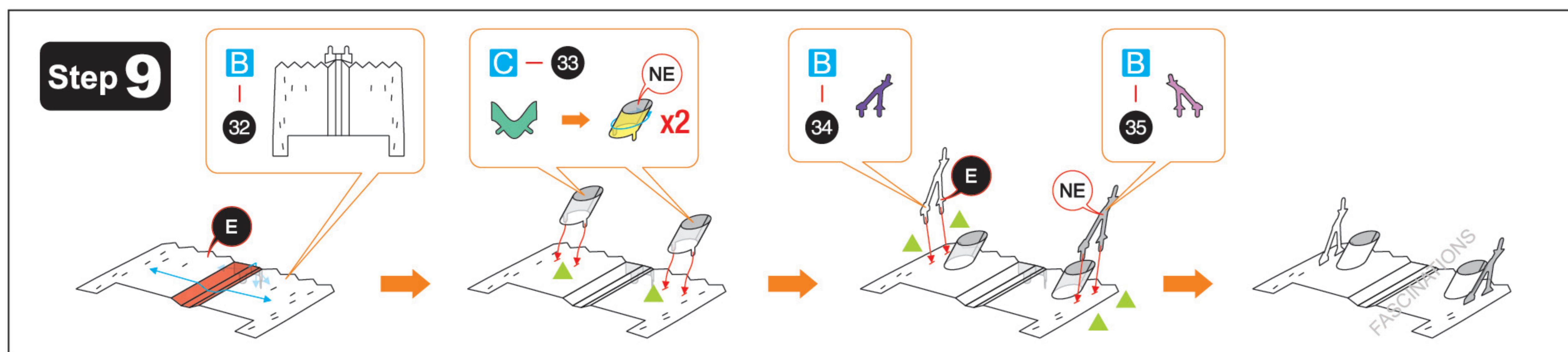
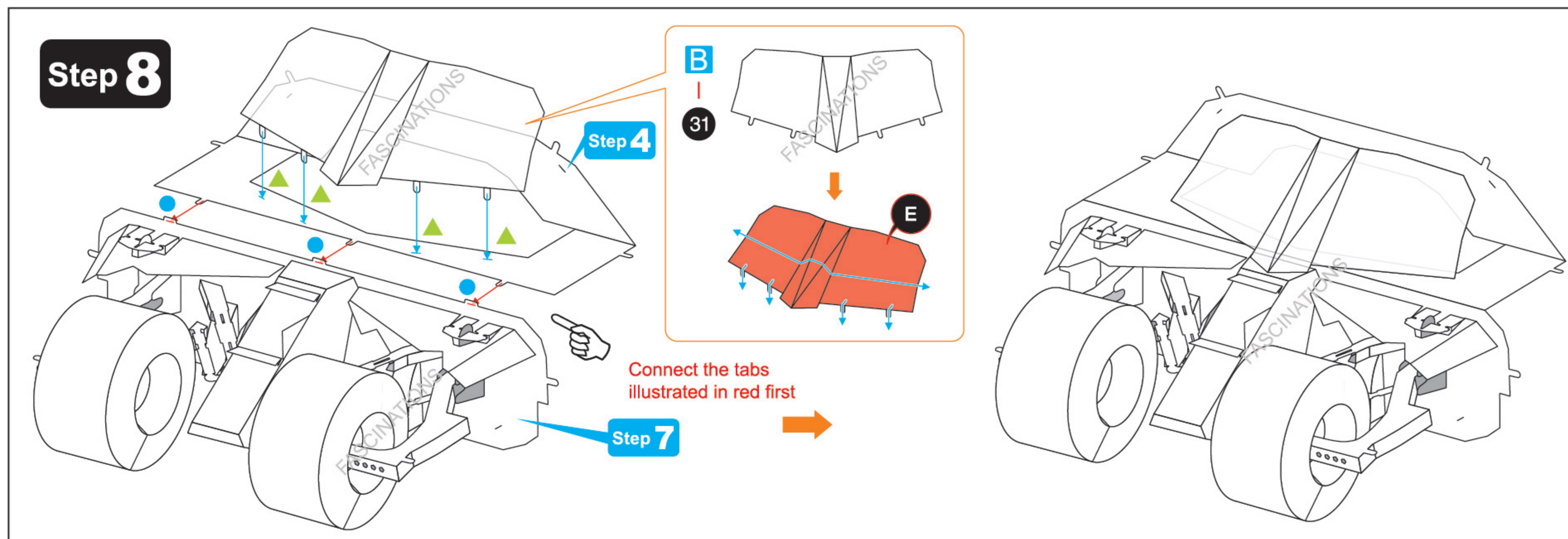
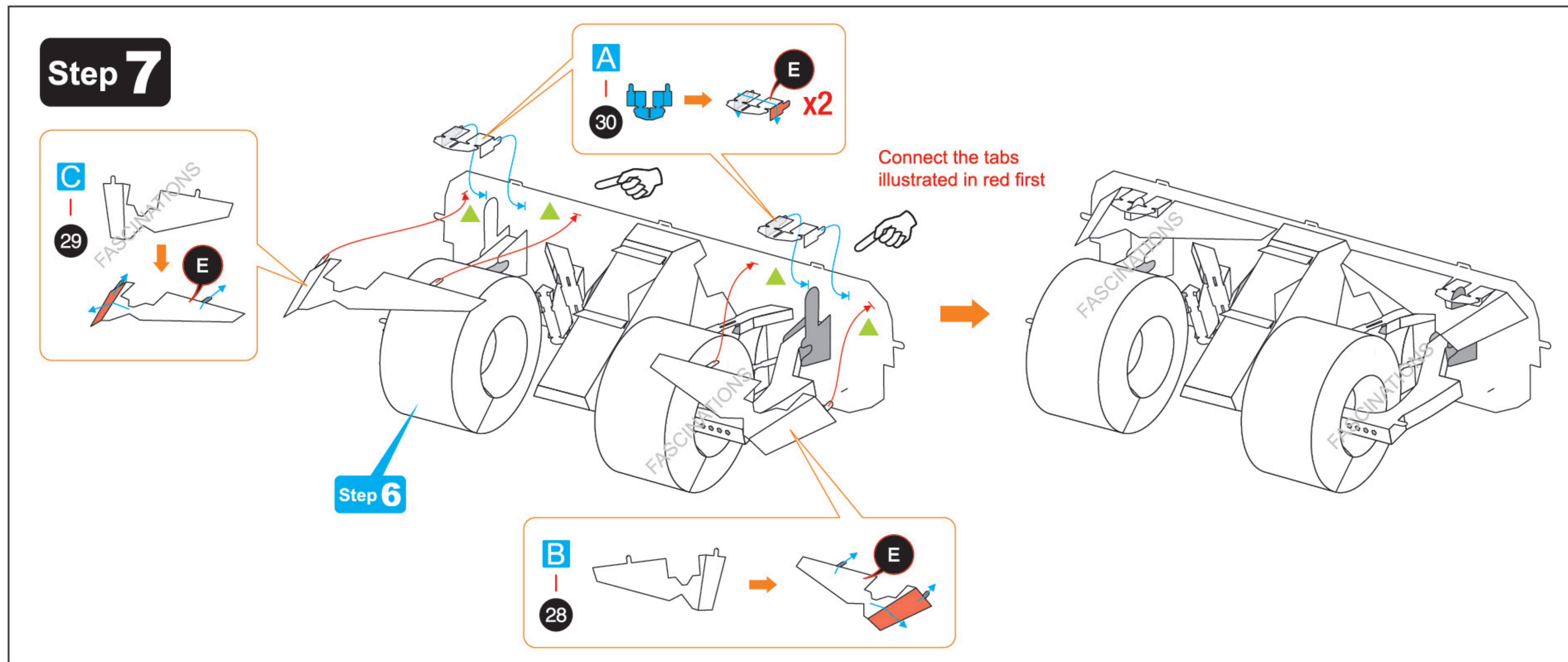


Step 5



Step 6





Step 16

Connect the tabs illustrated in red first

Step 17

Step 16

Step 18

Connect the tabs illustrated in red first

Step 19

Connect the tabs illustrated in red first

Step 20

Connect the tabs illustrated in red first

Step 21

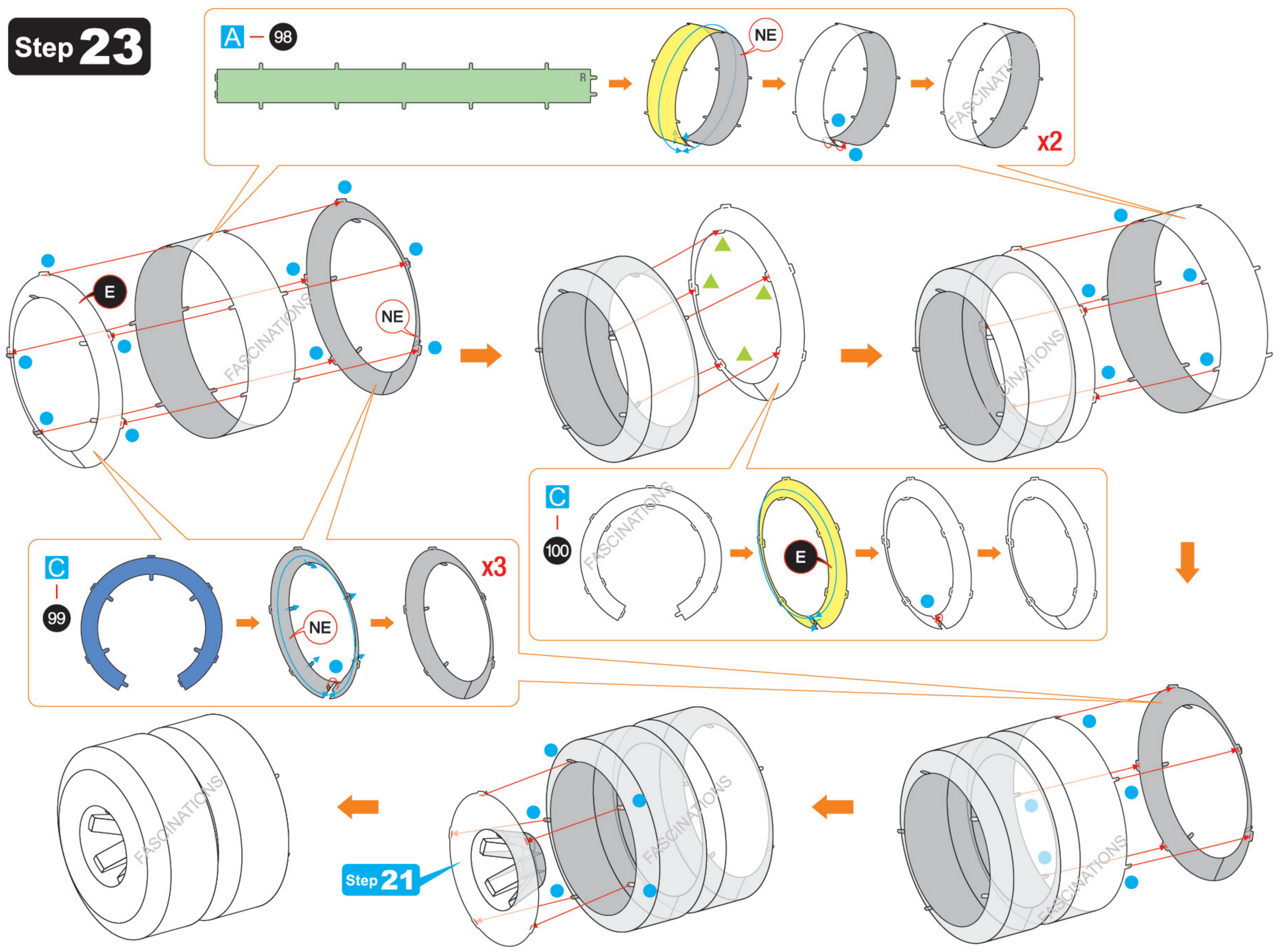
Connect the tabs illustrated in red first

Step 22

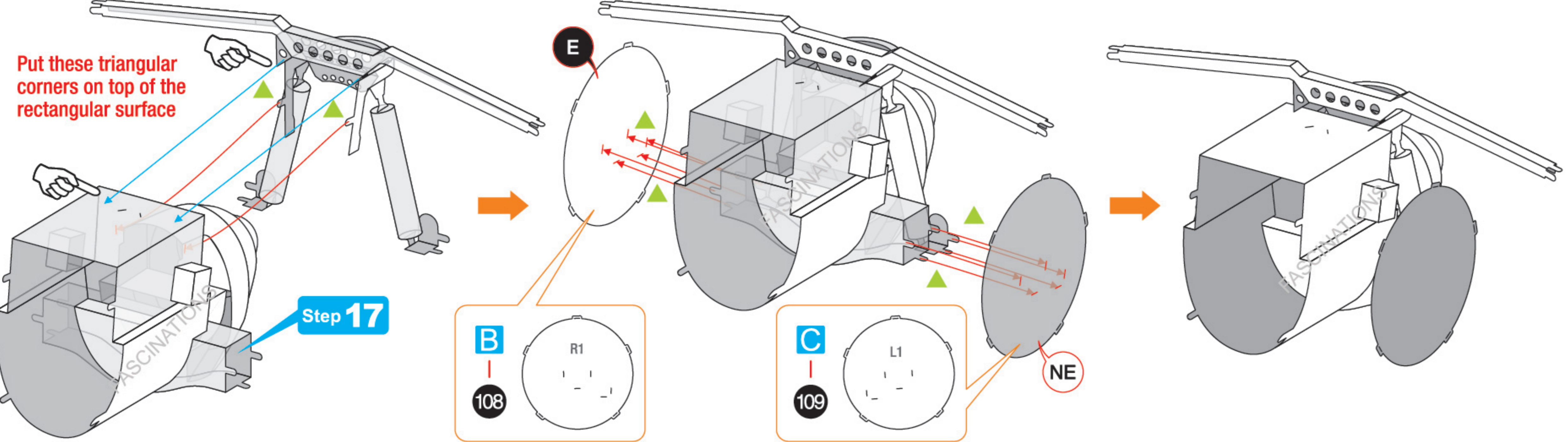
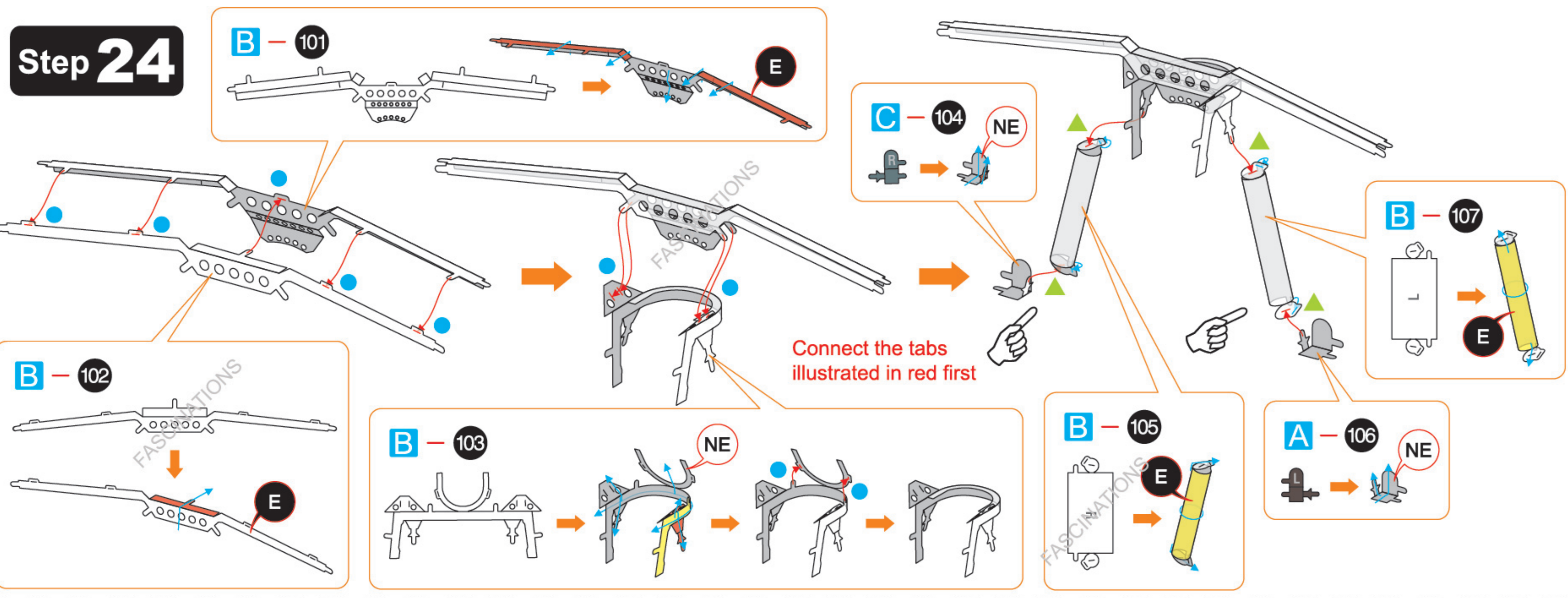
Connect the tabs illustrated in red first

Step 20

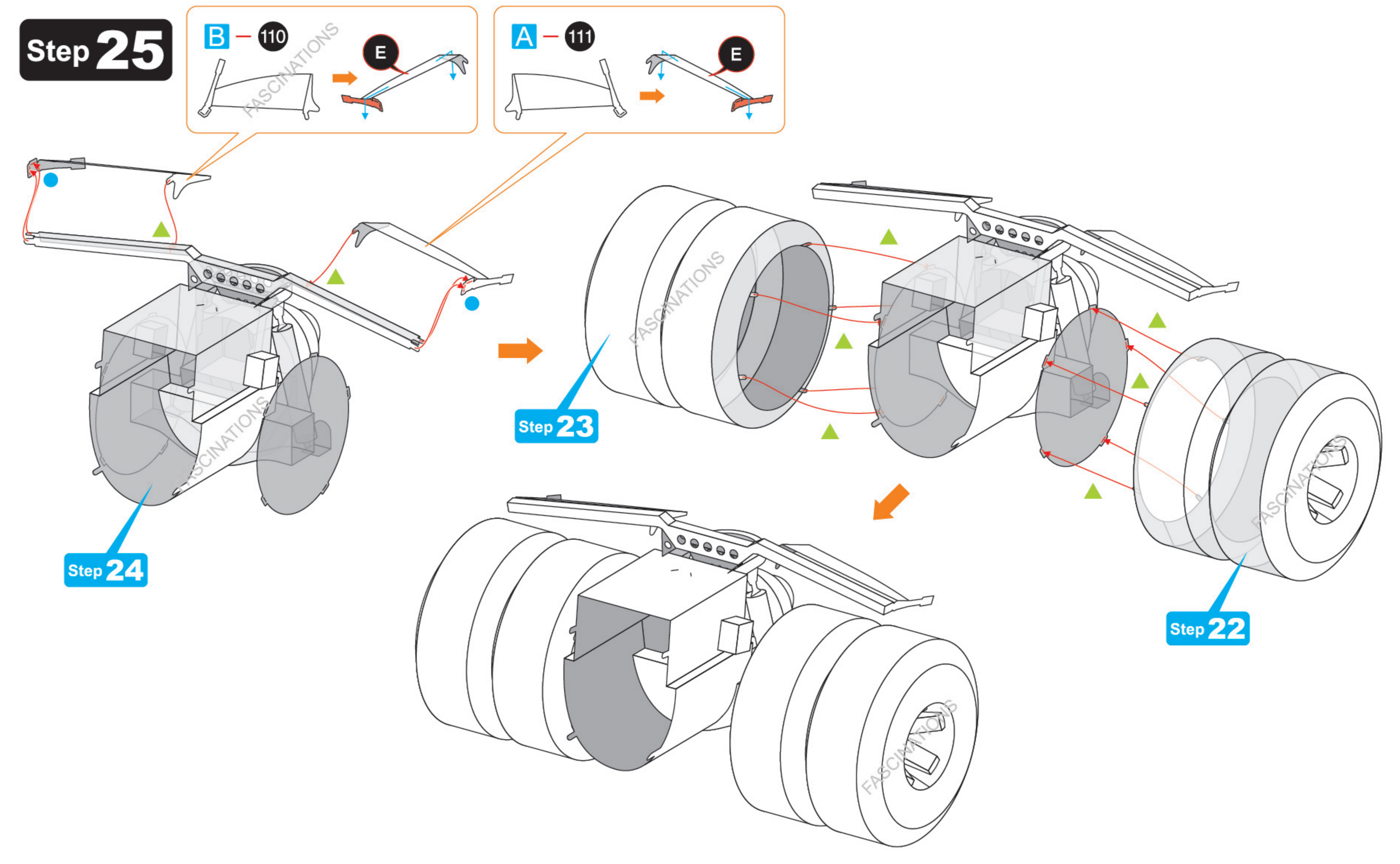
Step 23



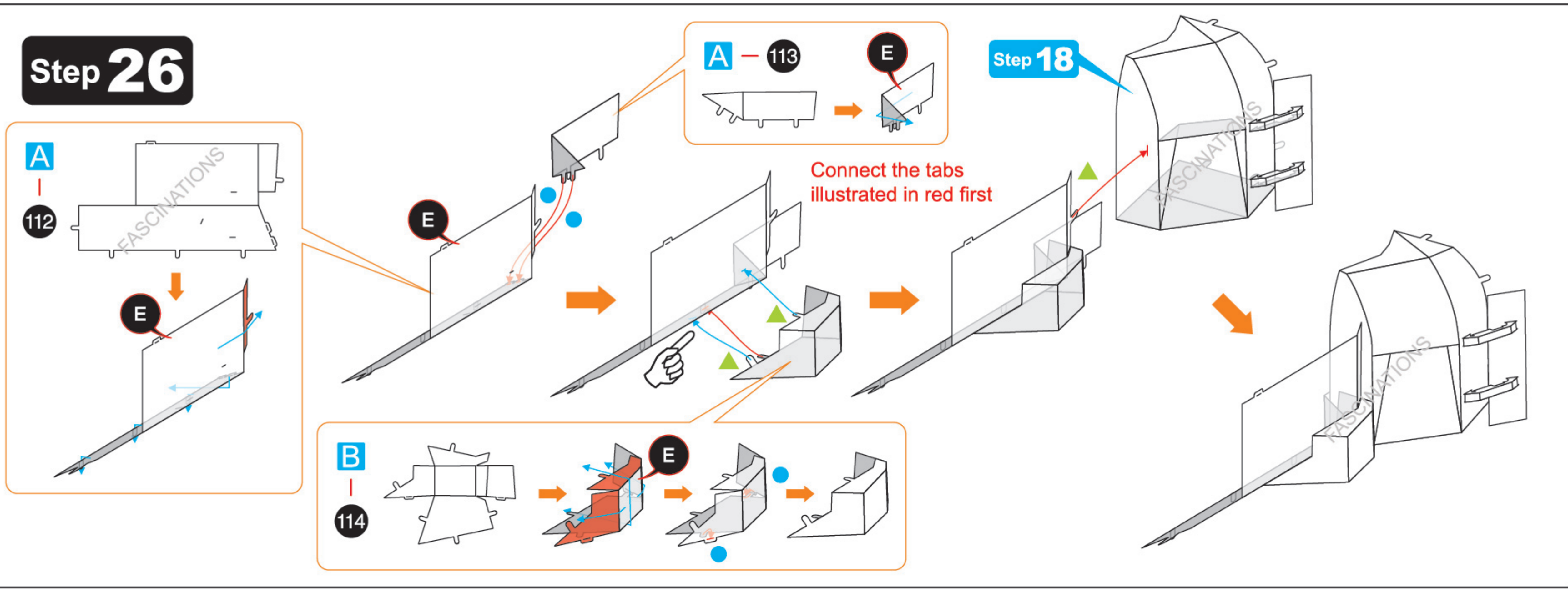
Step 24



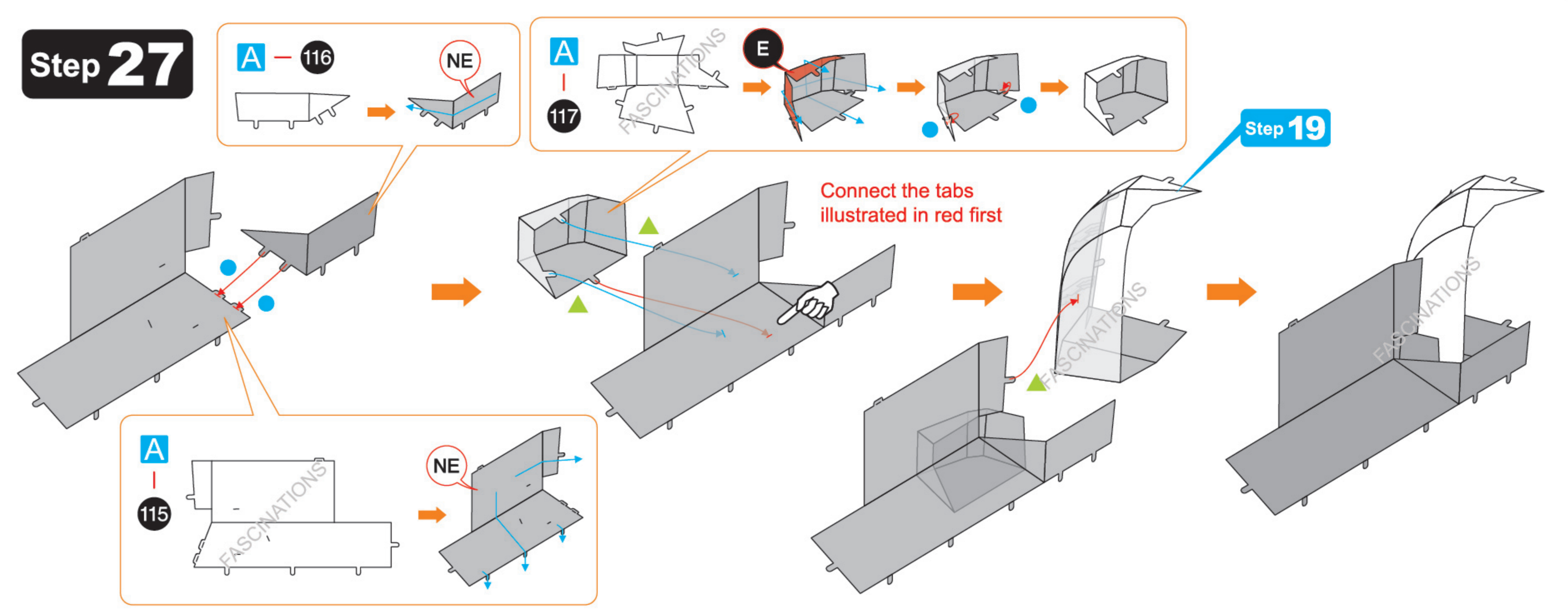
Step 25



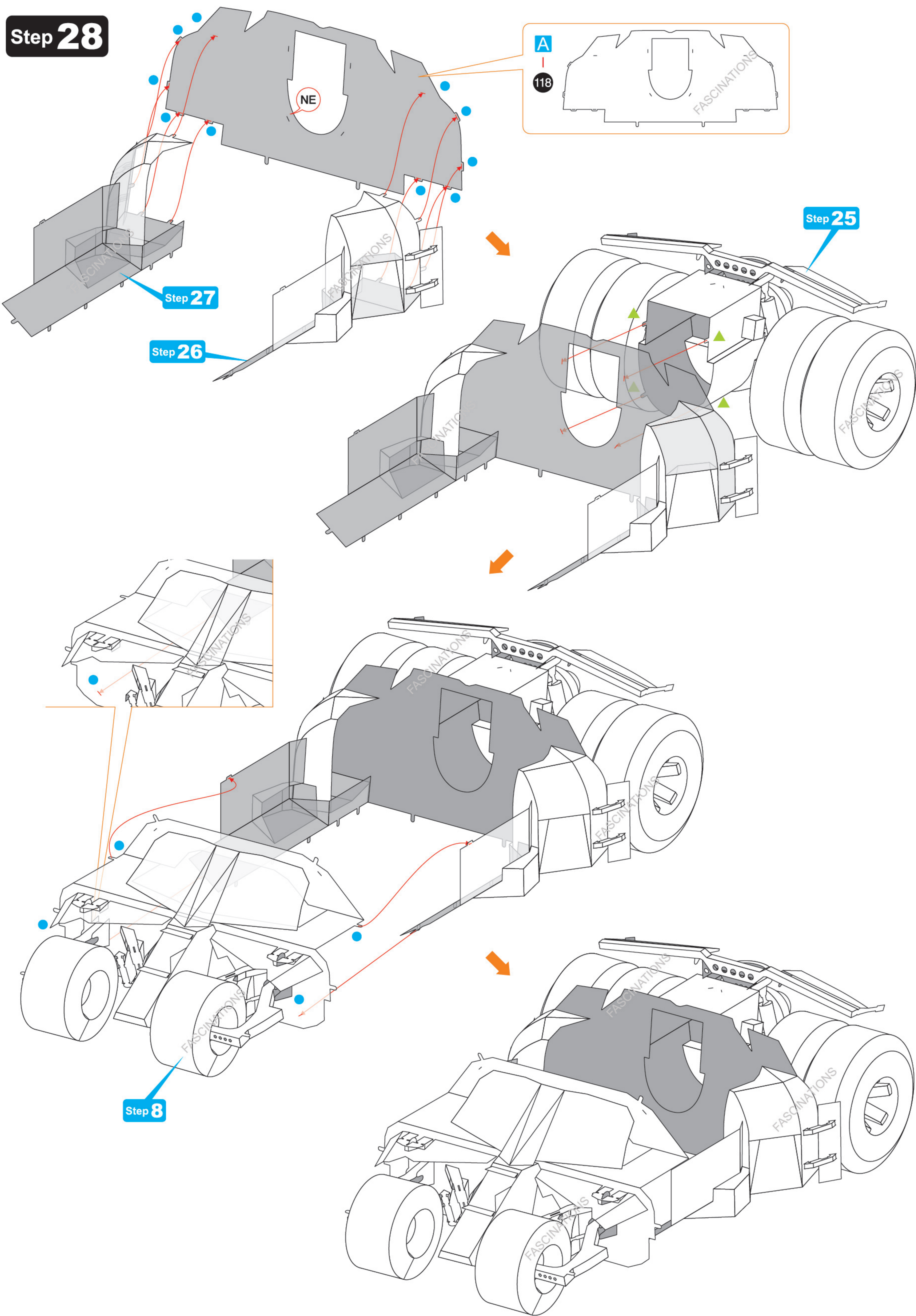
Step 26



Step 27



Step 28



Step 29

