

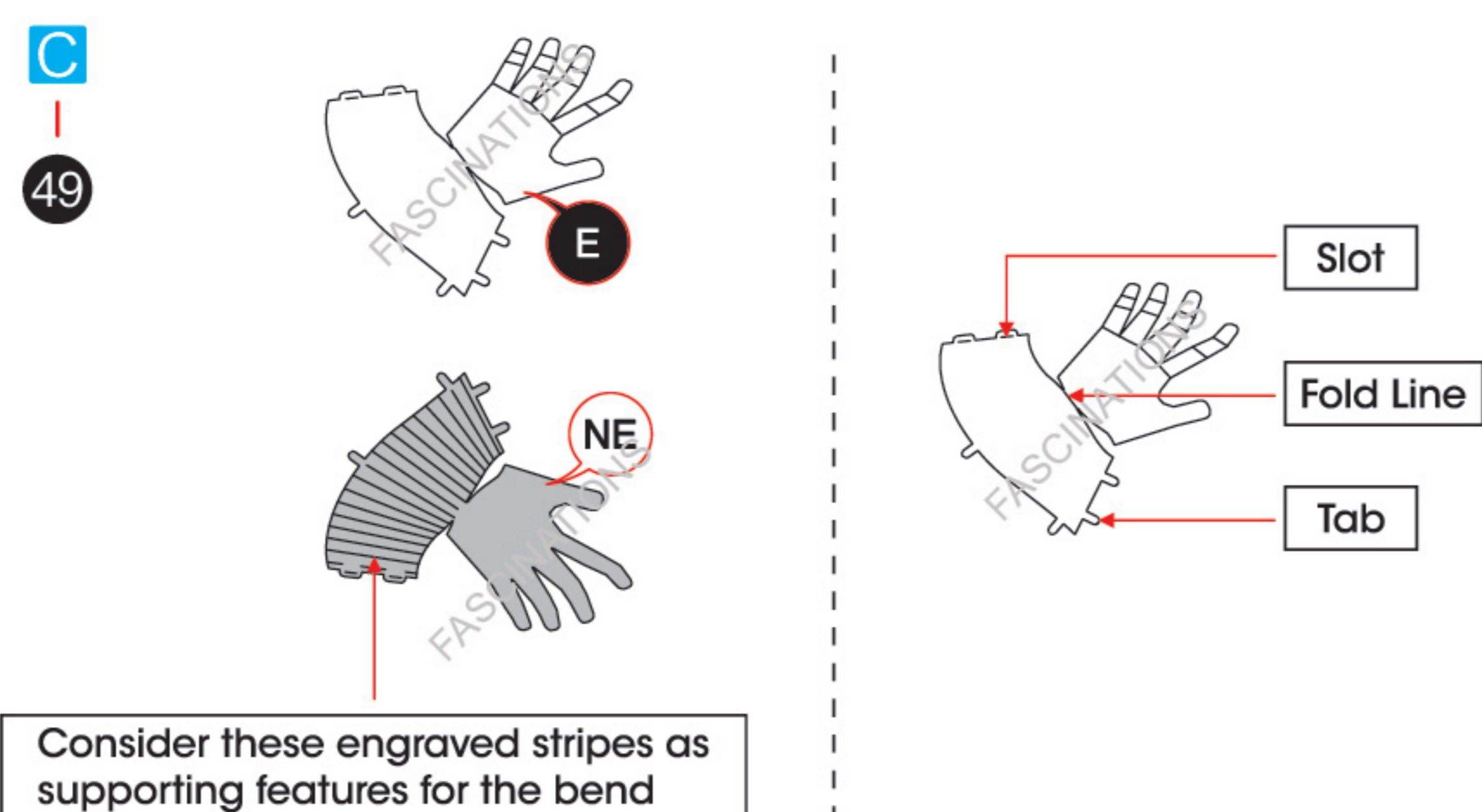


It is highly recommended that you visit www.metalearth.com/360/PS2008 to see the completed model before assembling your own

PS2008 STATUE OF LIBERTY



TO CREATE THE BEST CONNECTIONS



Legends:

- E** Engraved/ Color side
- NE** Non - engraved/ Silver side
- Attention point
- Insert tab and bend 90 degrees
- Insert tab and twist 90 degrees

Assembly tip:

If needed, slightly twist tabs to hold parts together then untwist and bend them down for a nice finish.

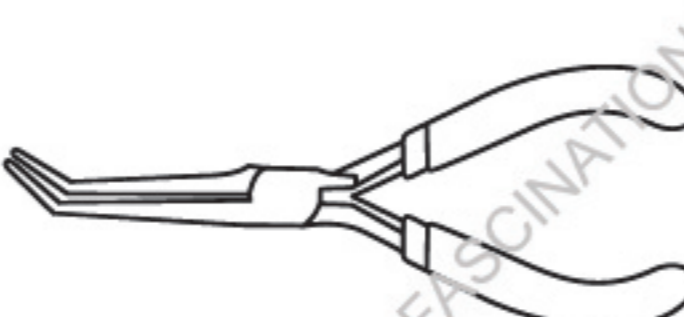
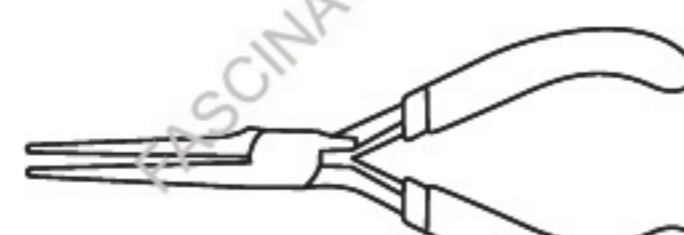
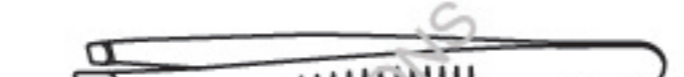
- Yellow areas should be curled
- Red areas should be folded

Recommended tools:

- Wire cutters: helpful for taking parts from the metal sheets.

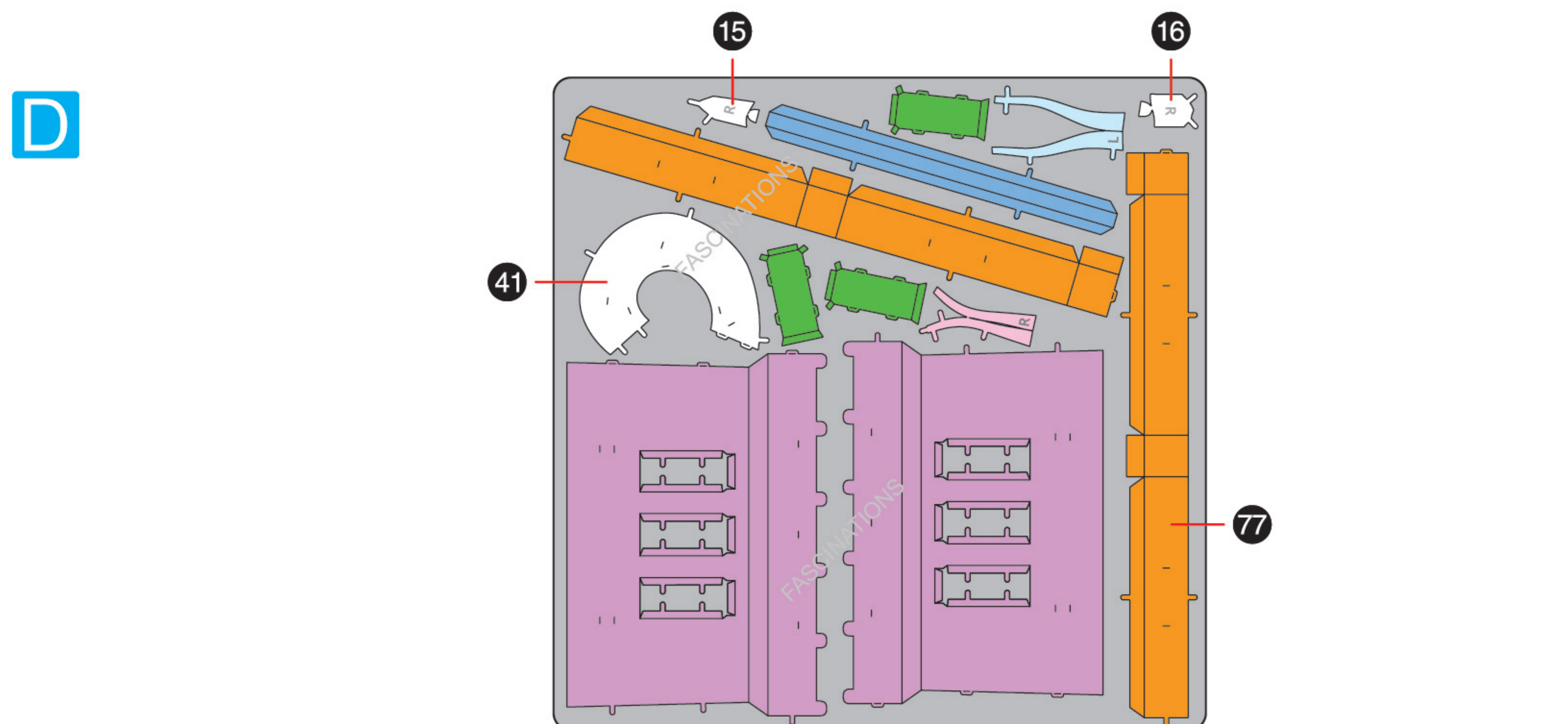
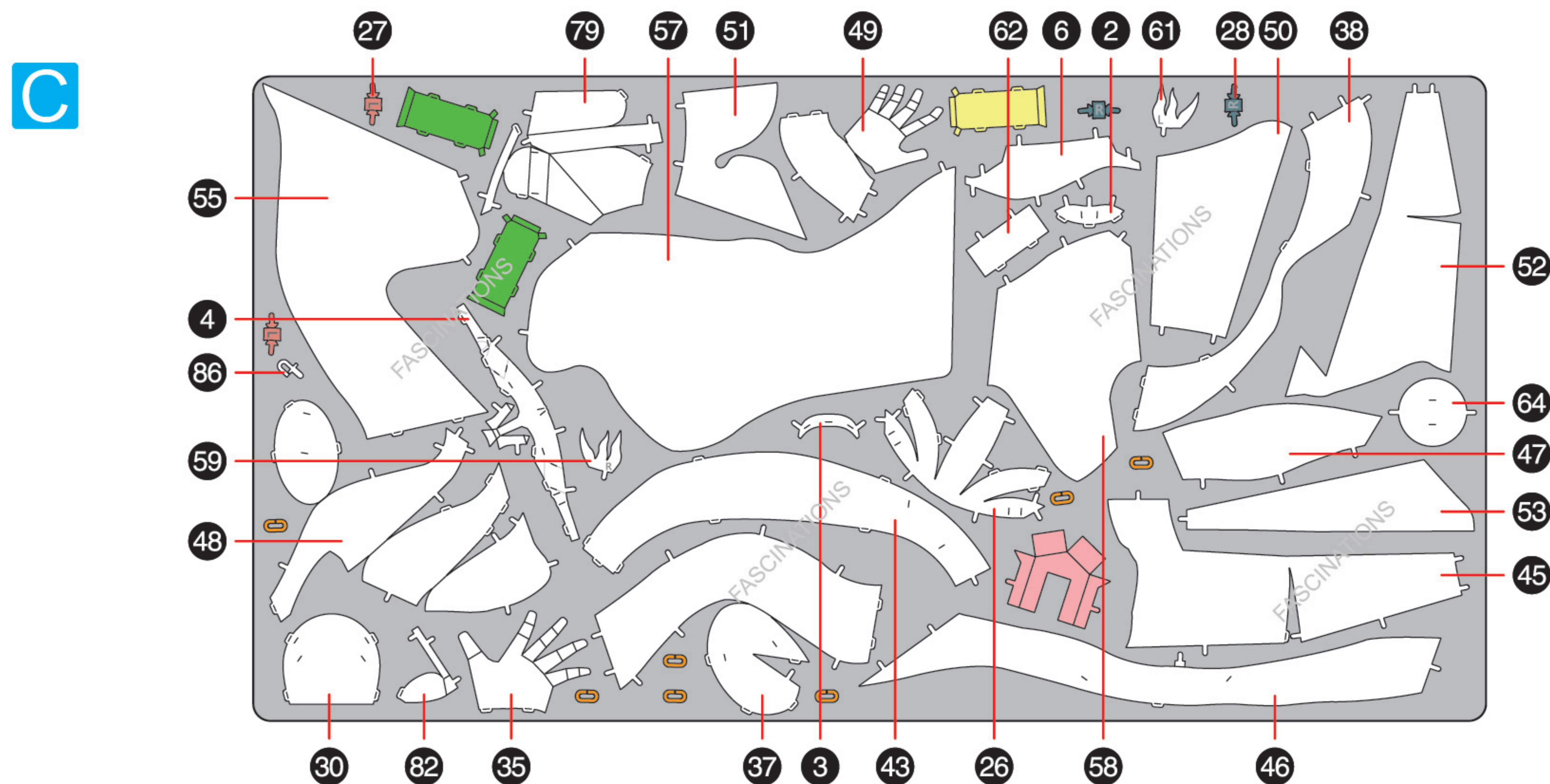
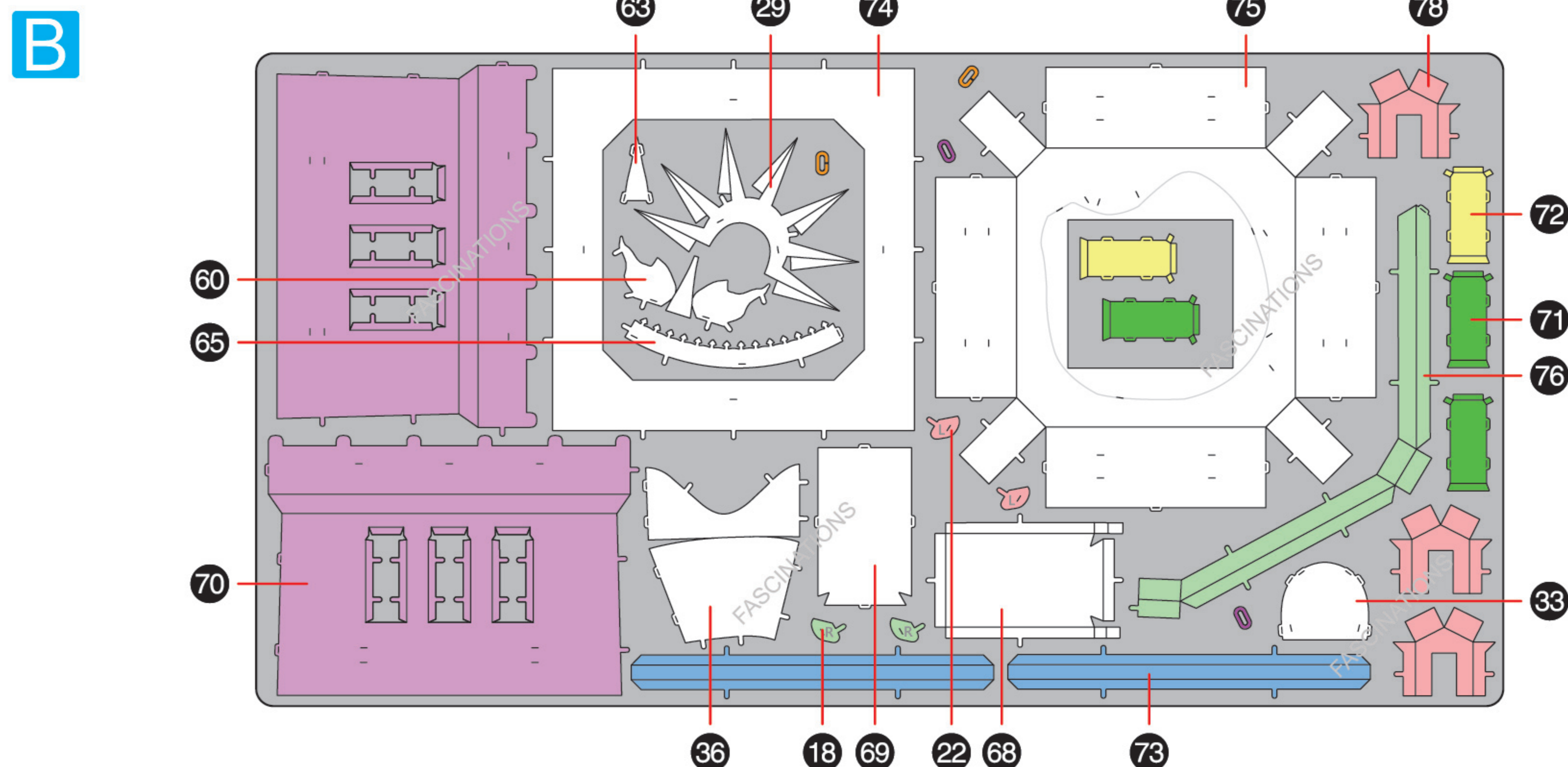
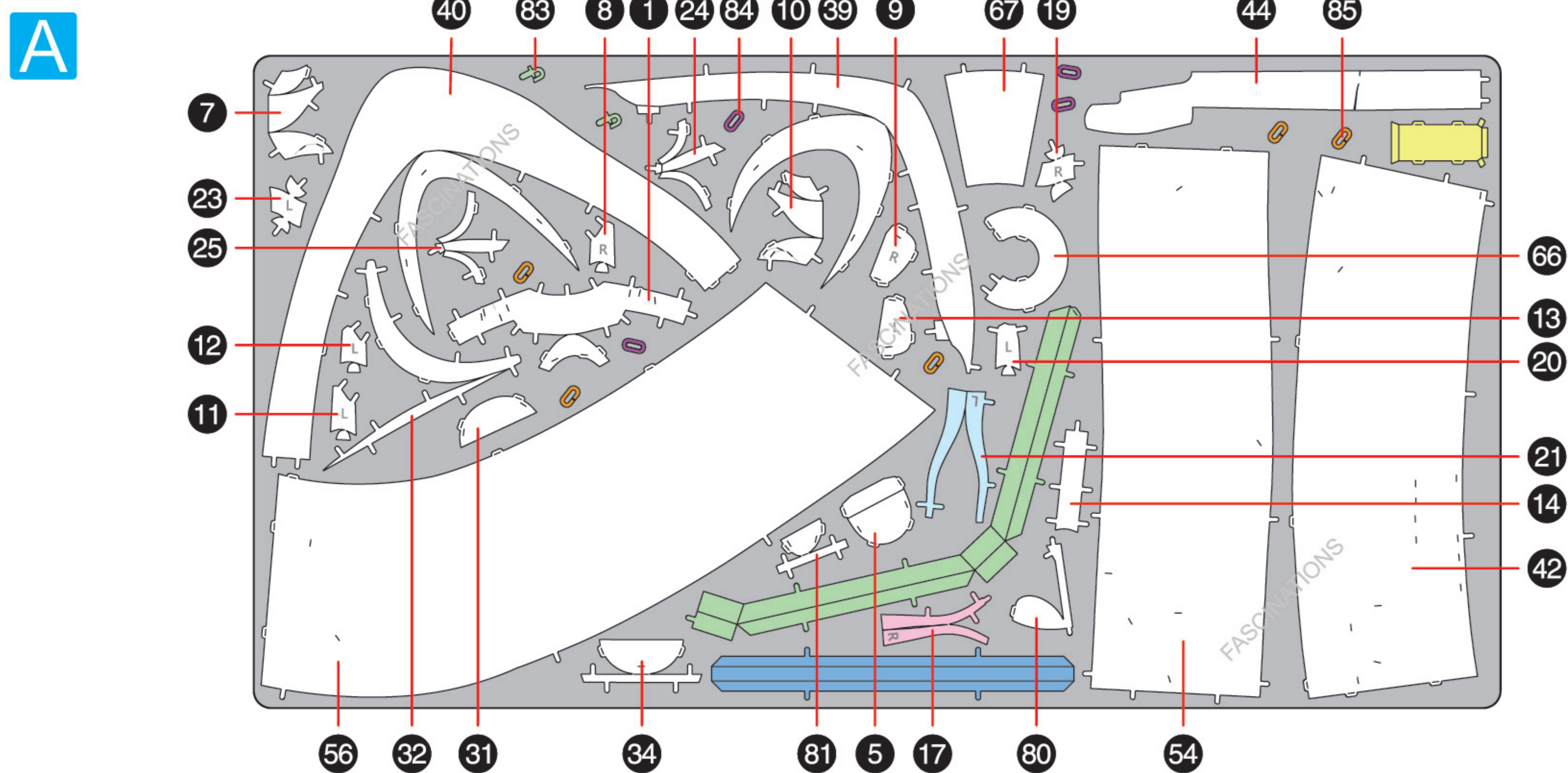


- Tweezers or needle nose pliers: helpful for folding parts, bending and twisting tabs.



METAL SHEETS

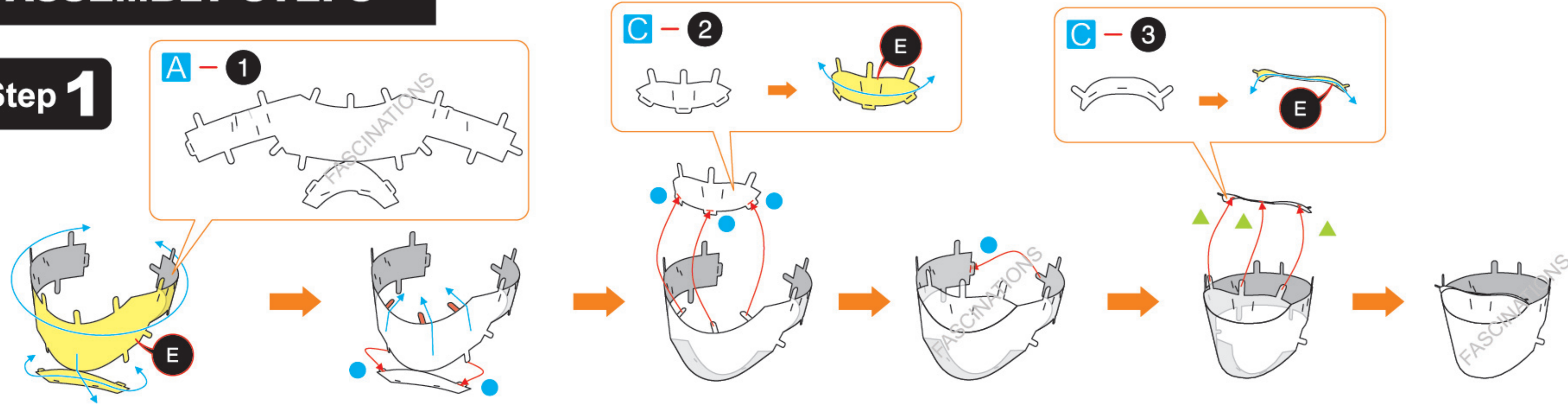
Parts with same color are duplicates



In order to avoid possible injury from sharp edges, please carefully discard the metal sheets after parts have been removed.

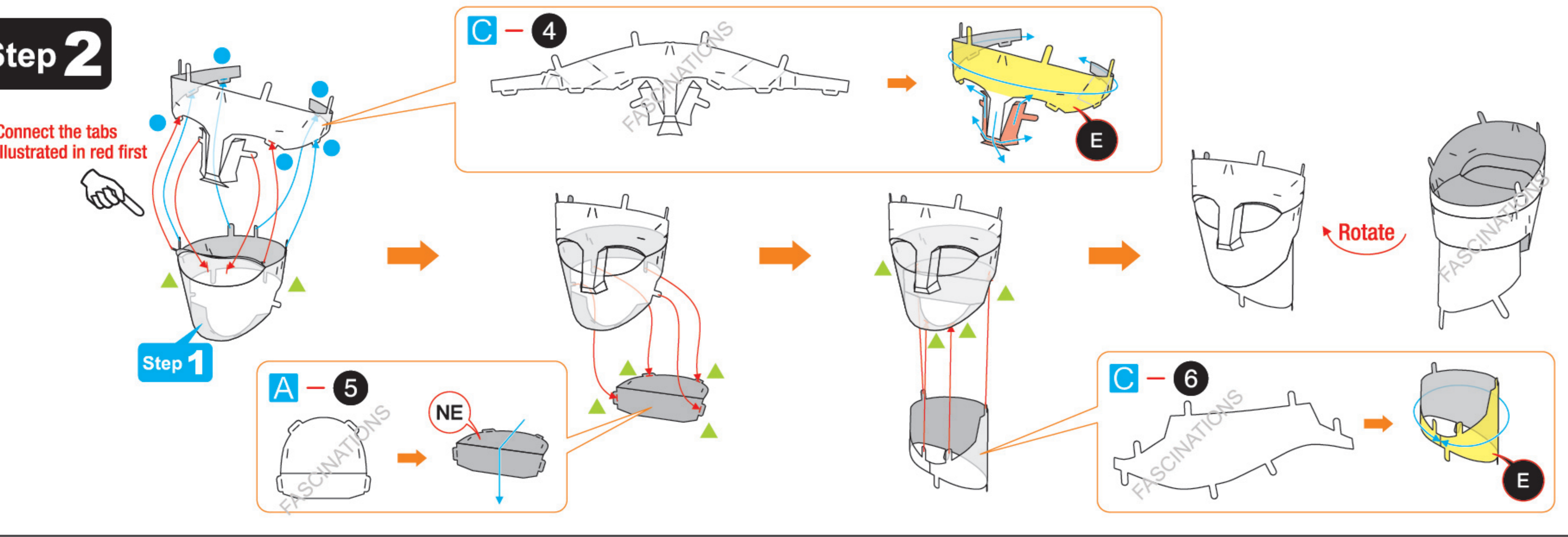
ASSEMBLY STEPS

Step 1

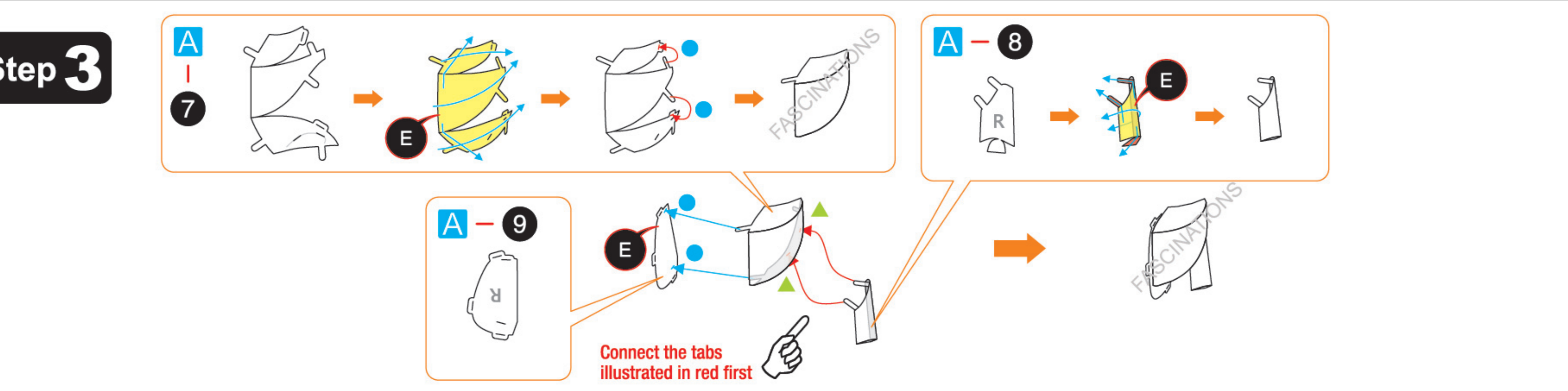


Step 2

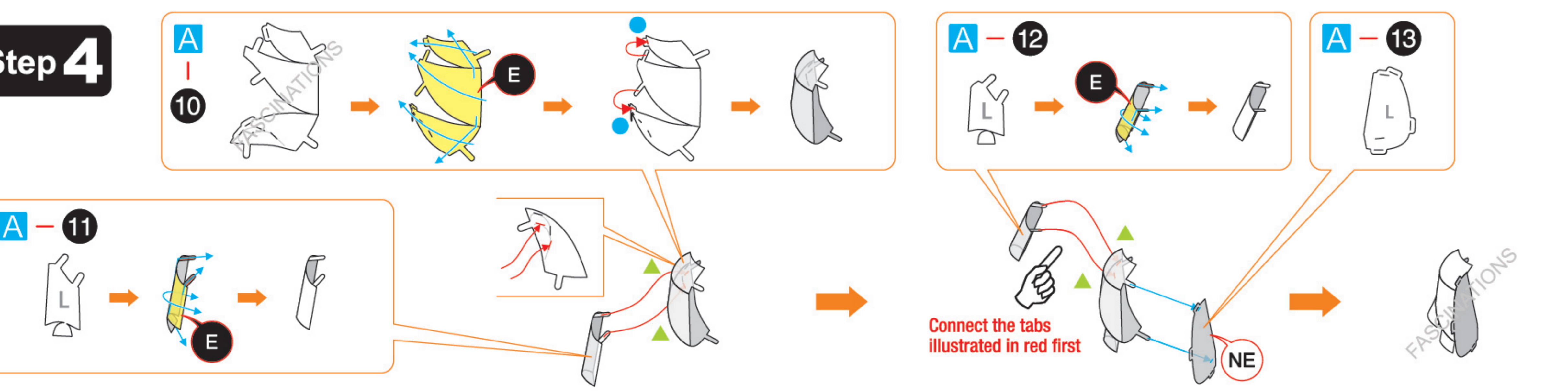
Connect the tabs illustrated in red first



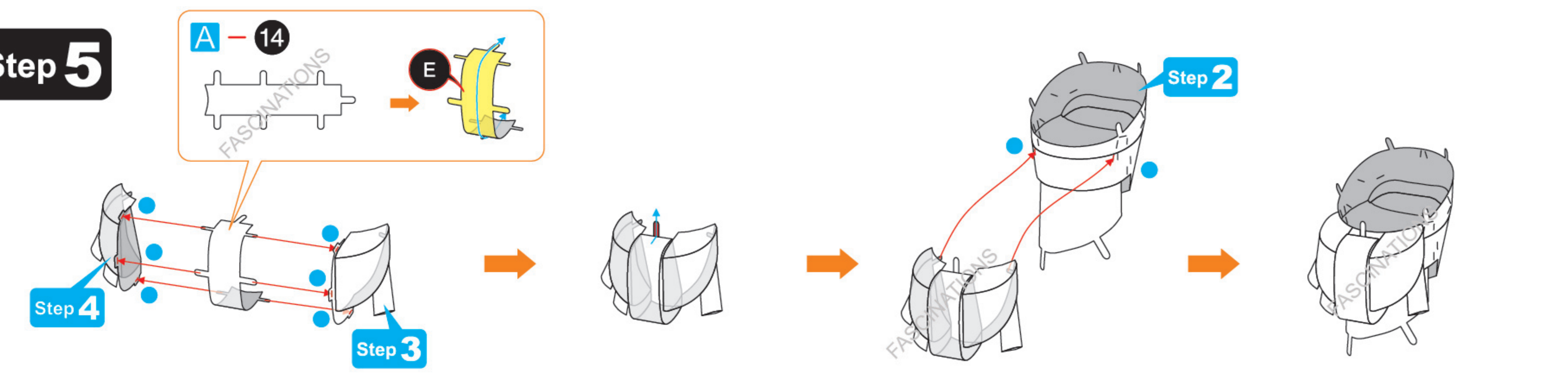
Step 3



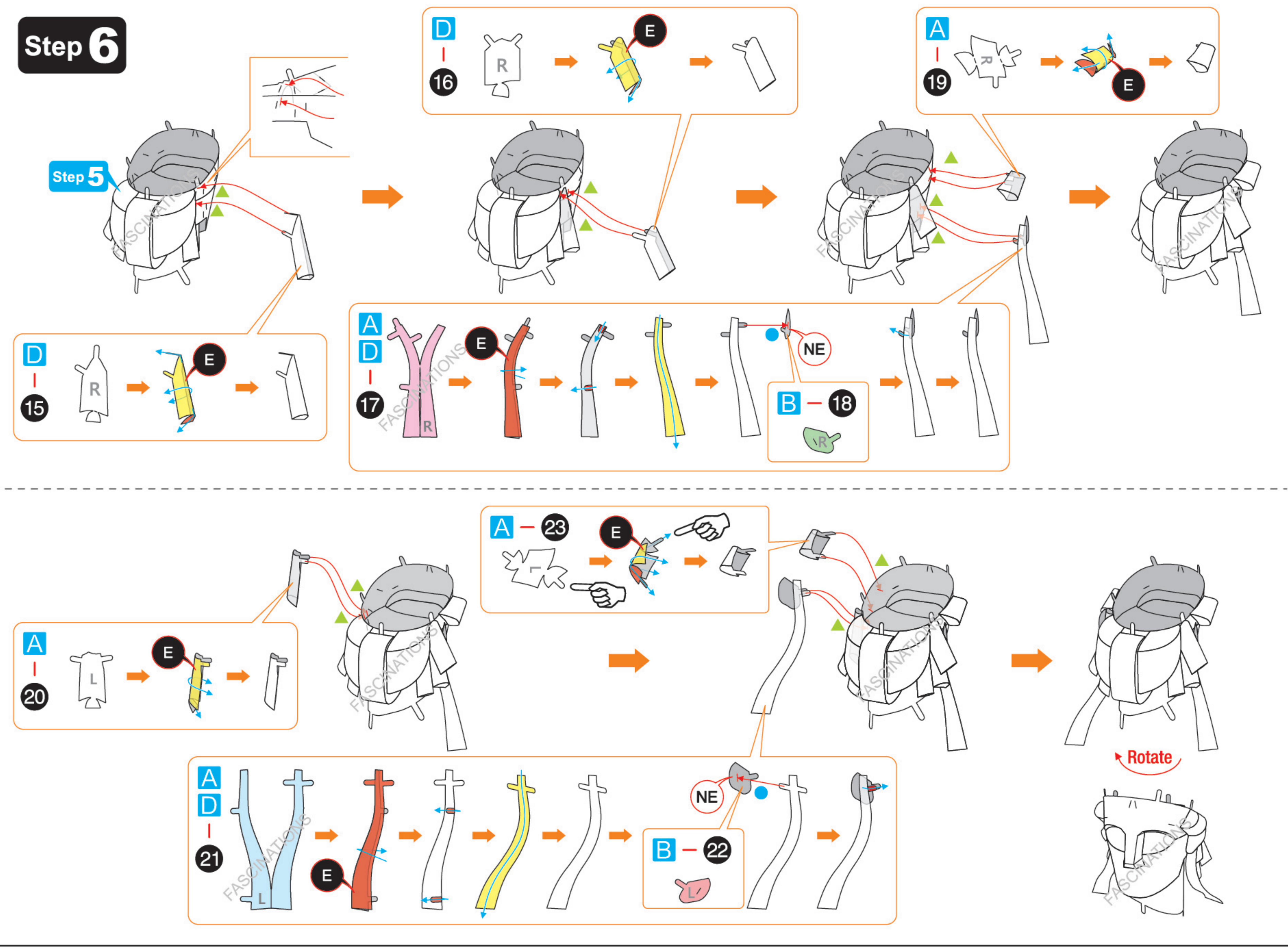
Step 4



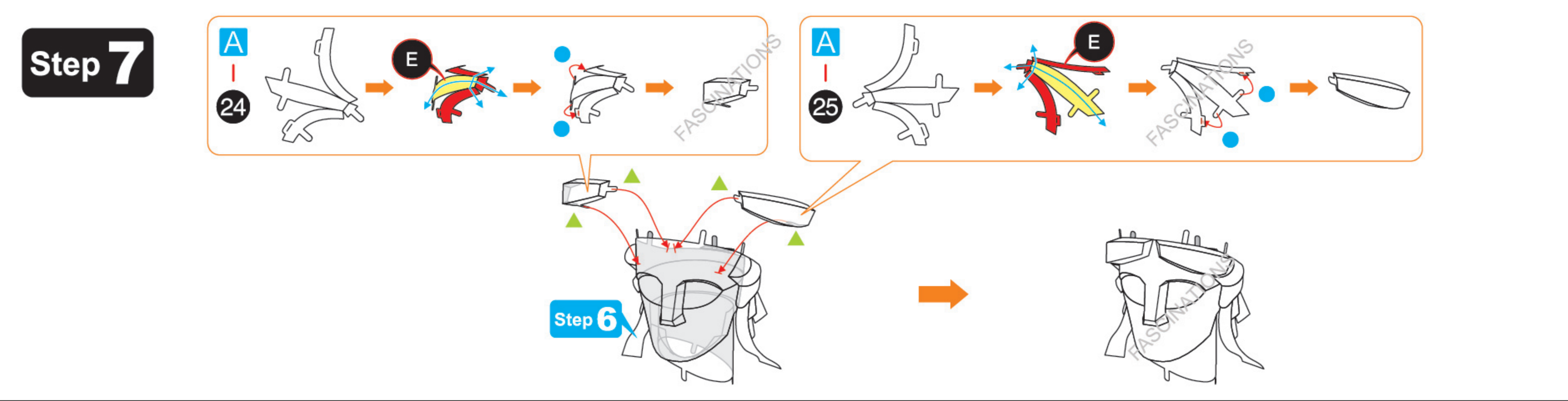
Step 5



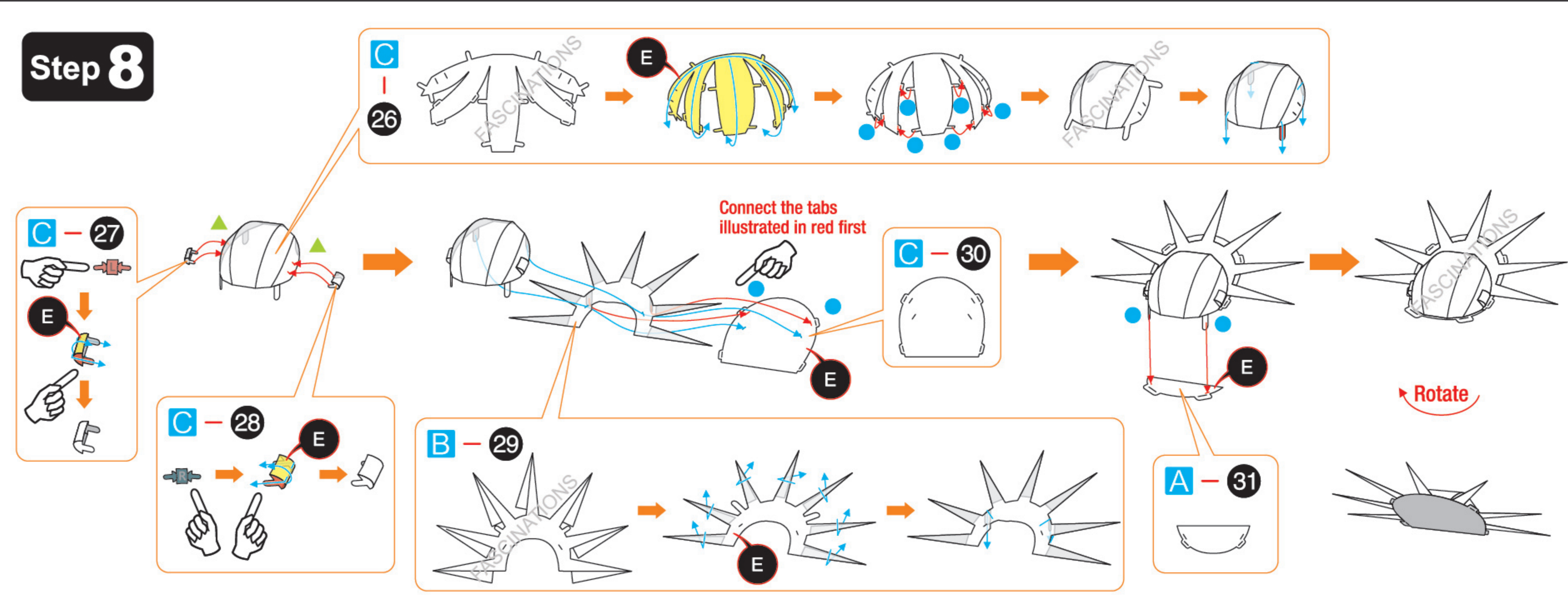
Step 6

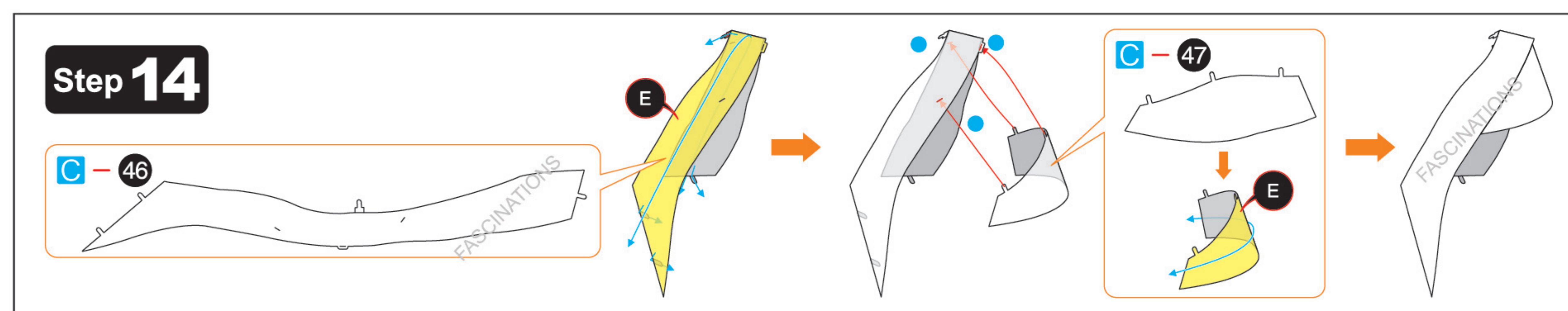
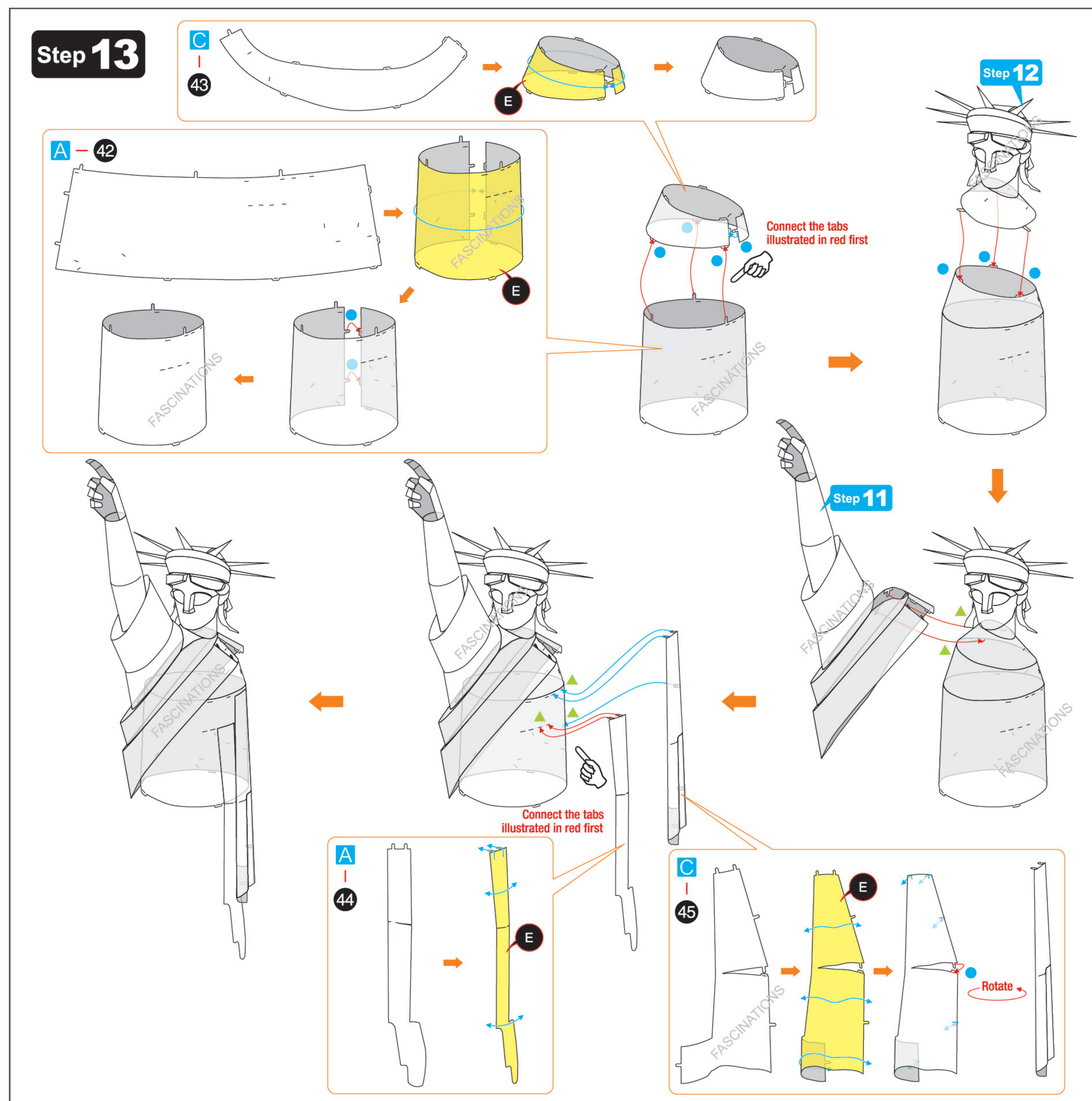
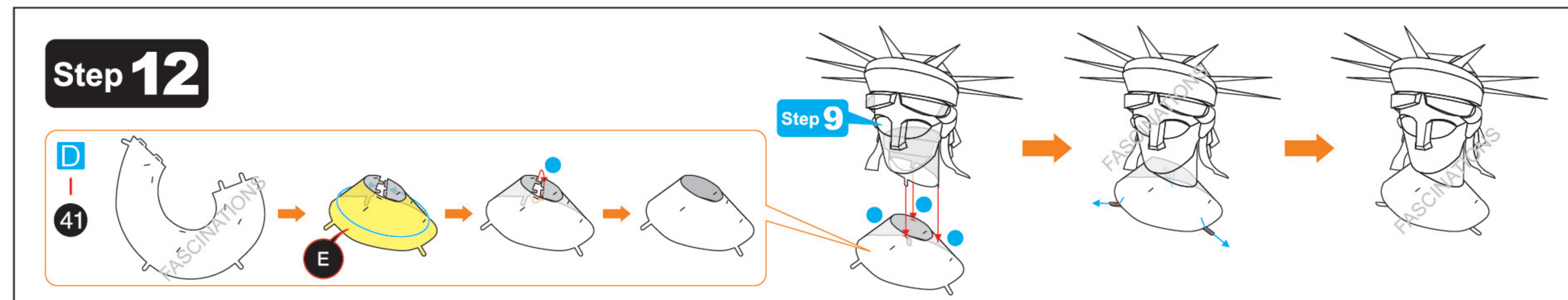
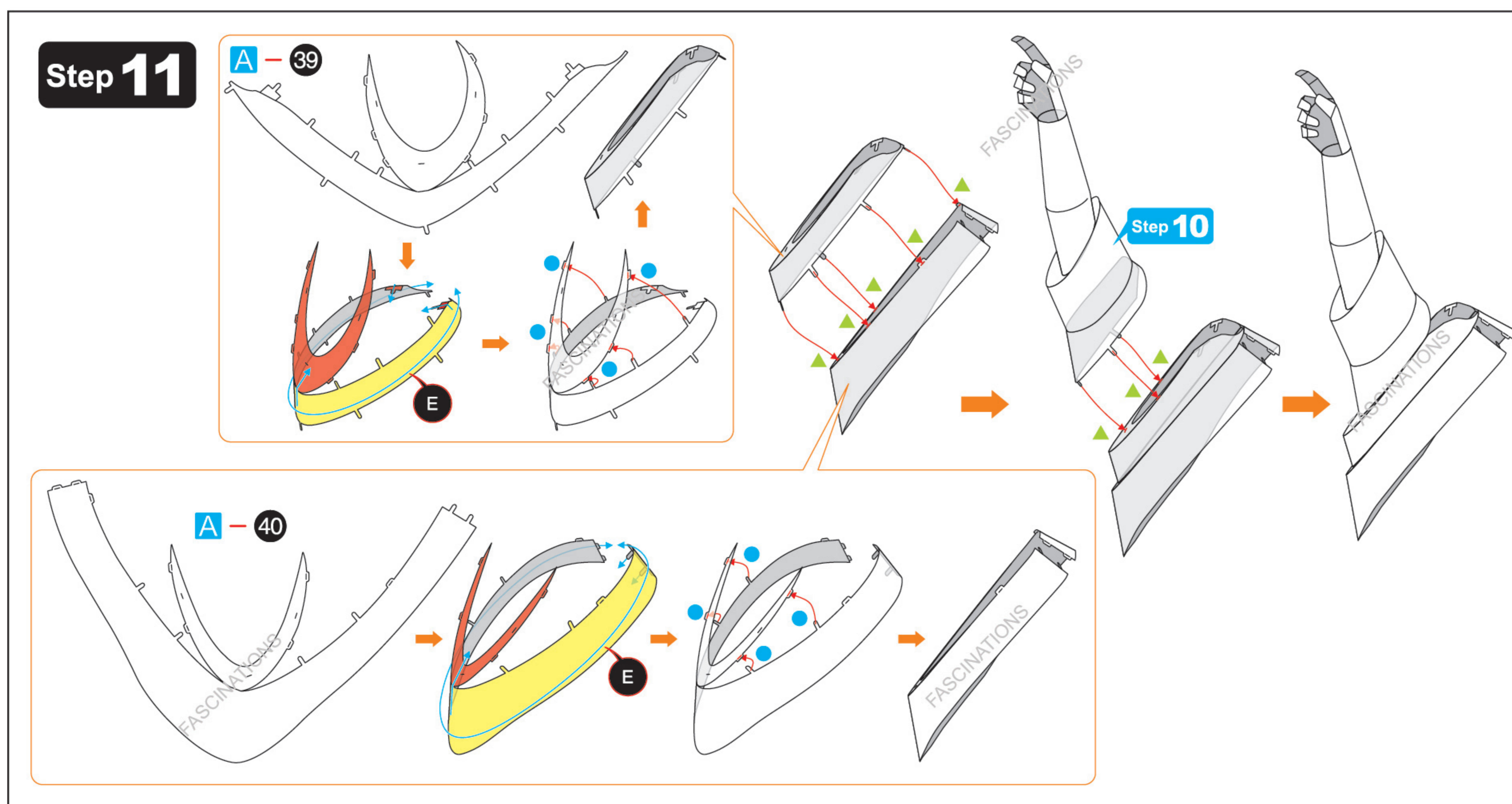
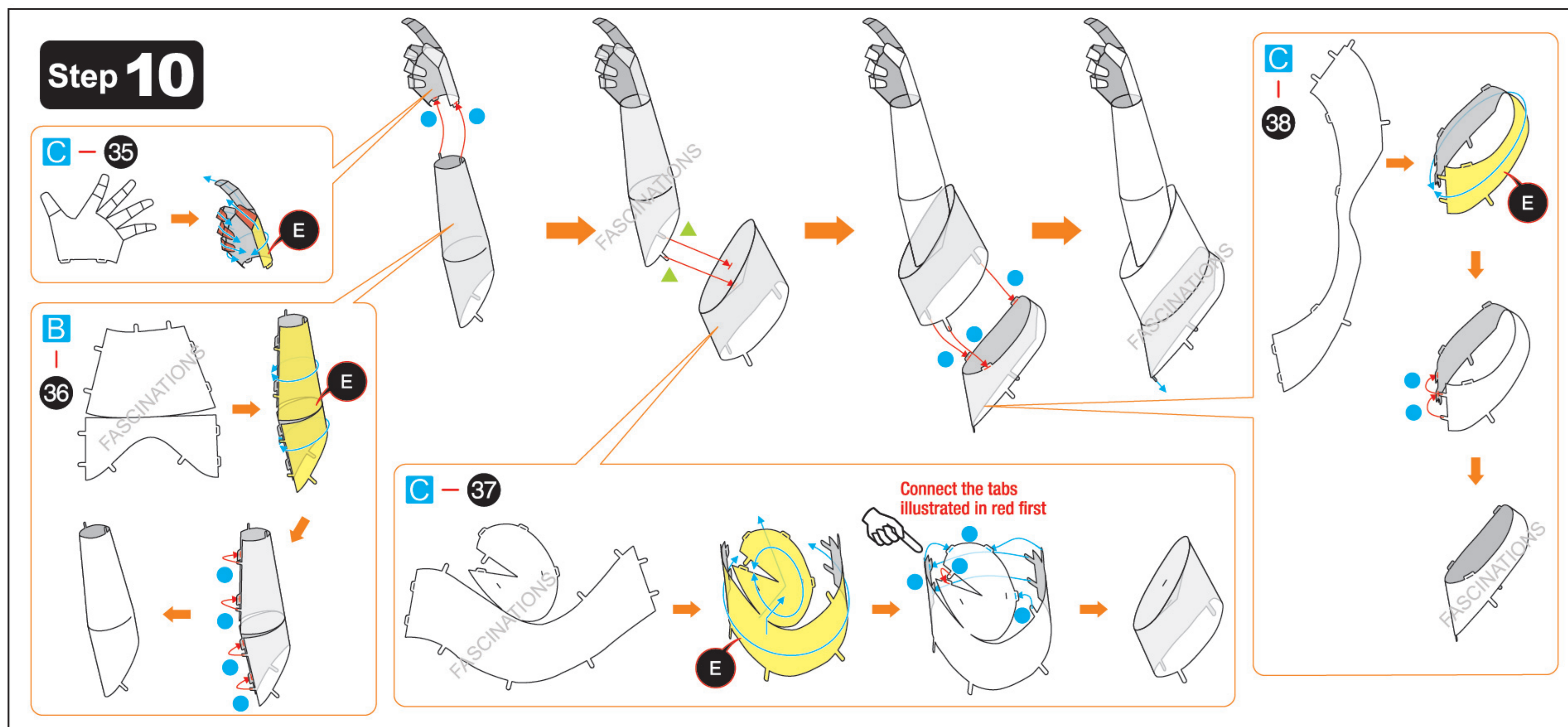
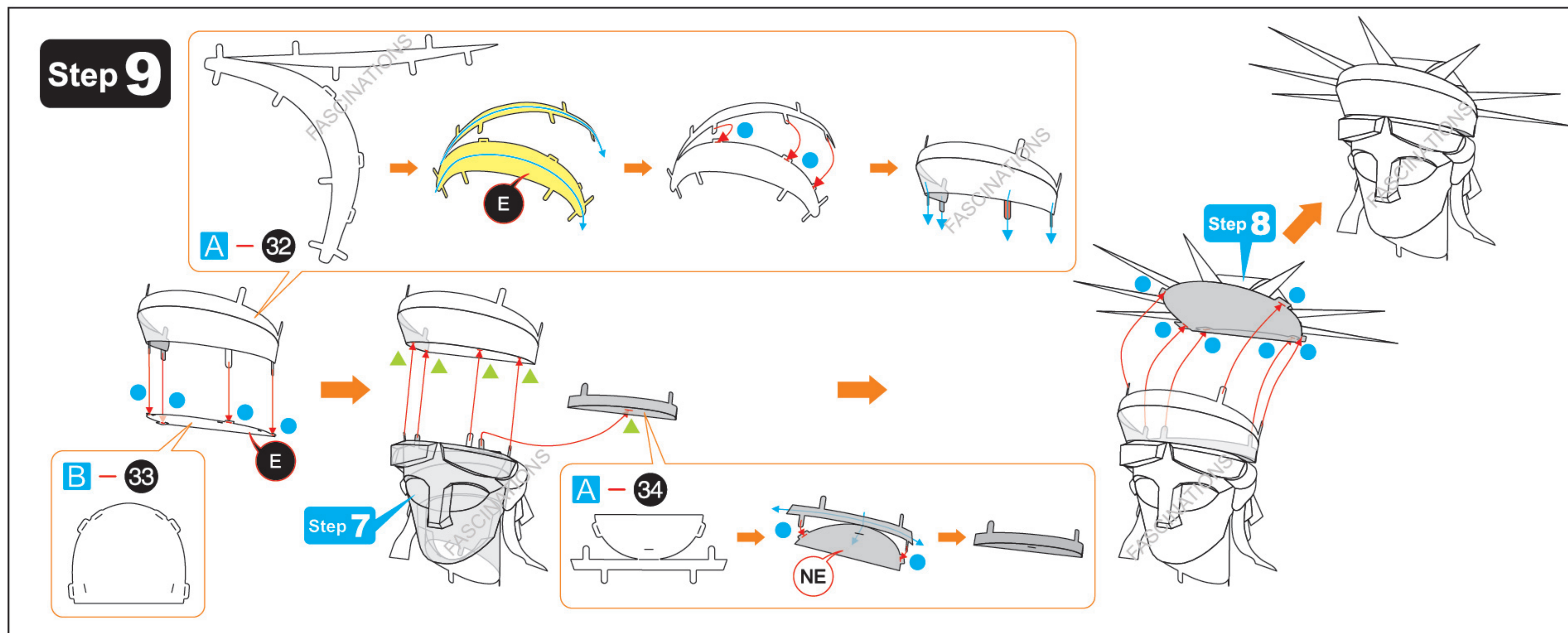


Step 7

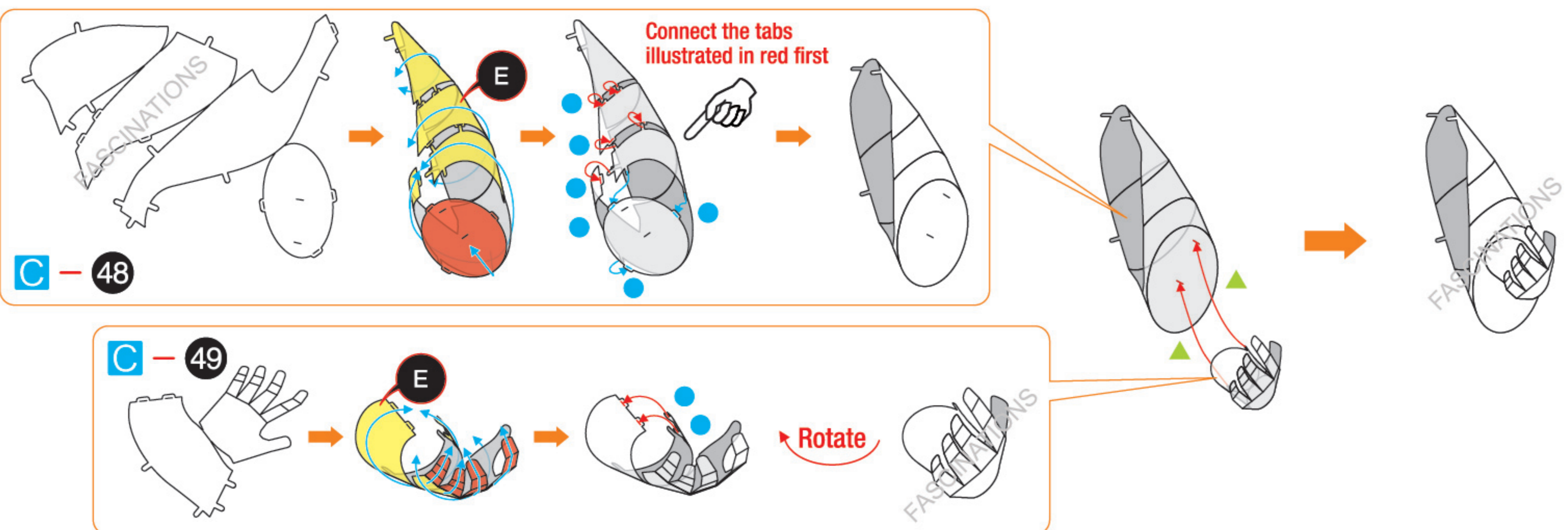


Step 8

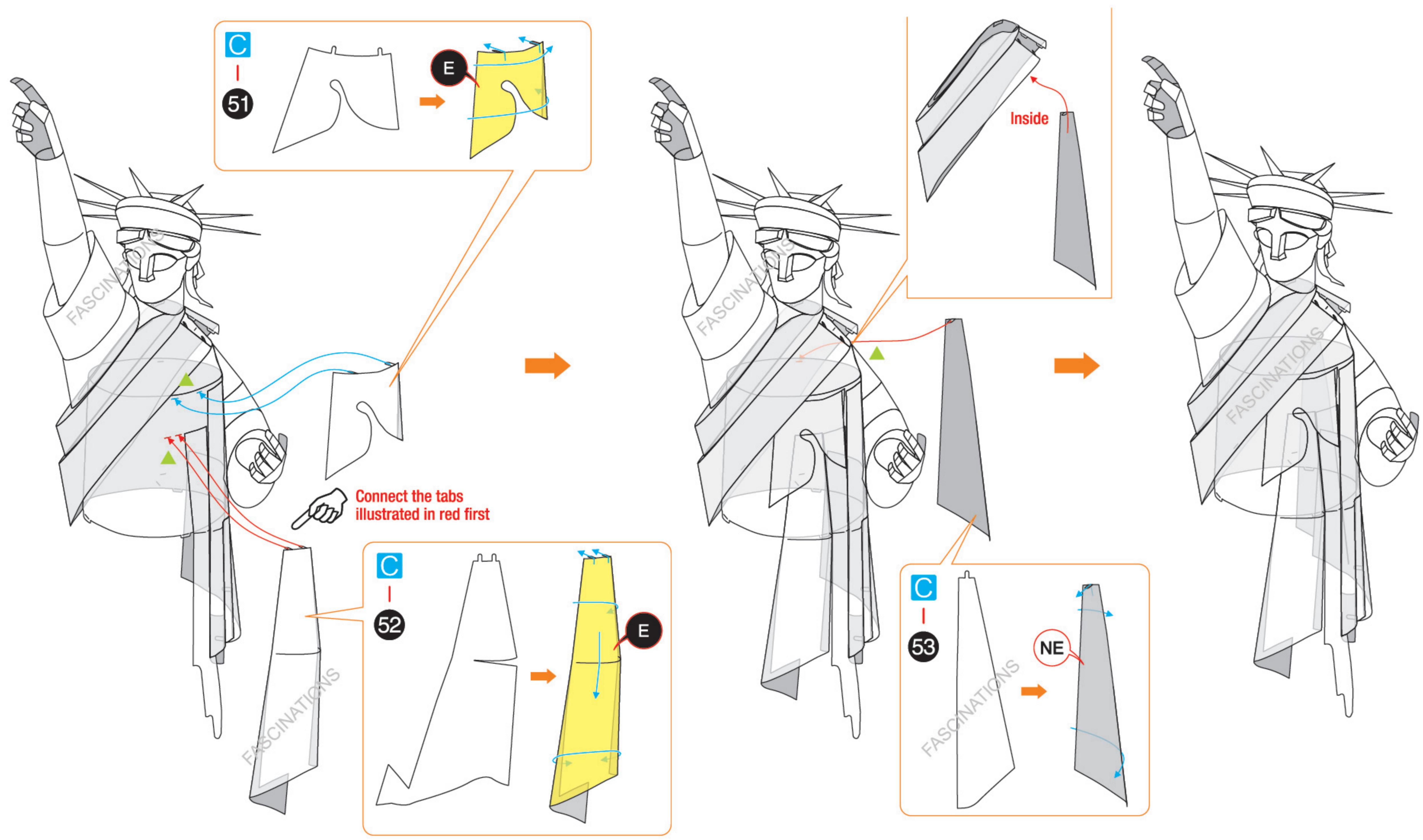
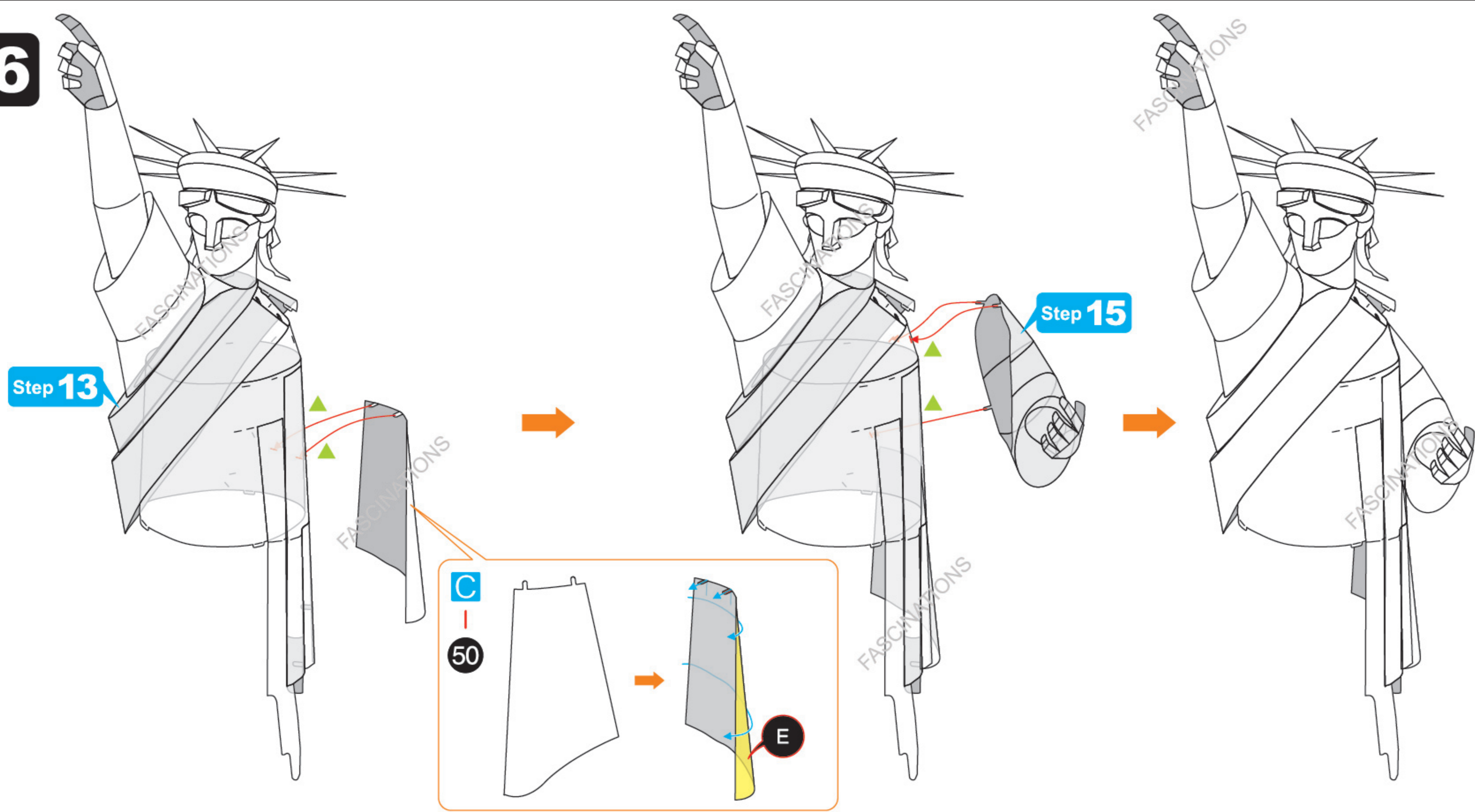




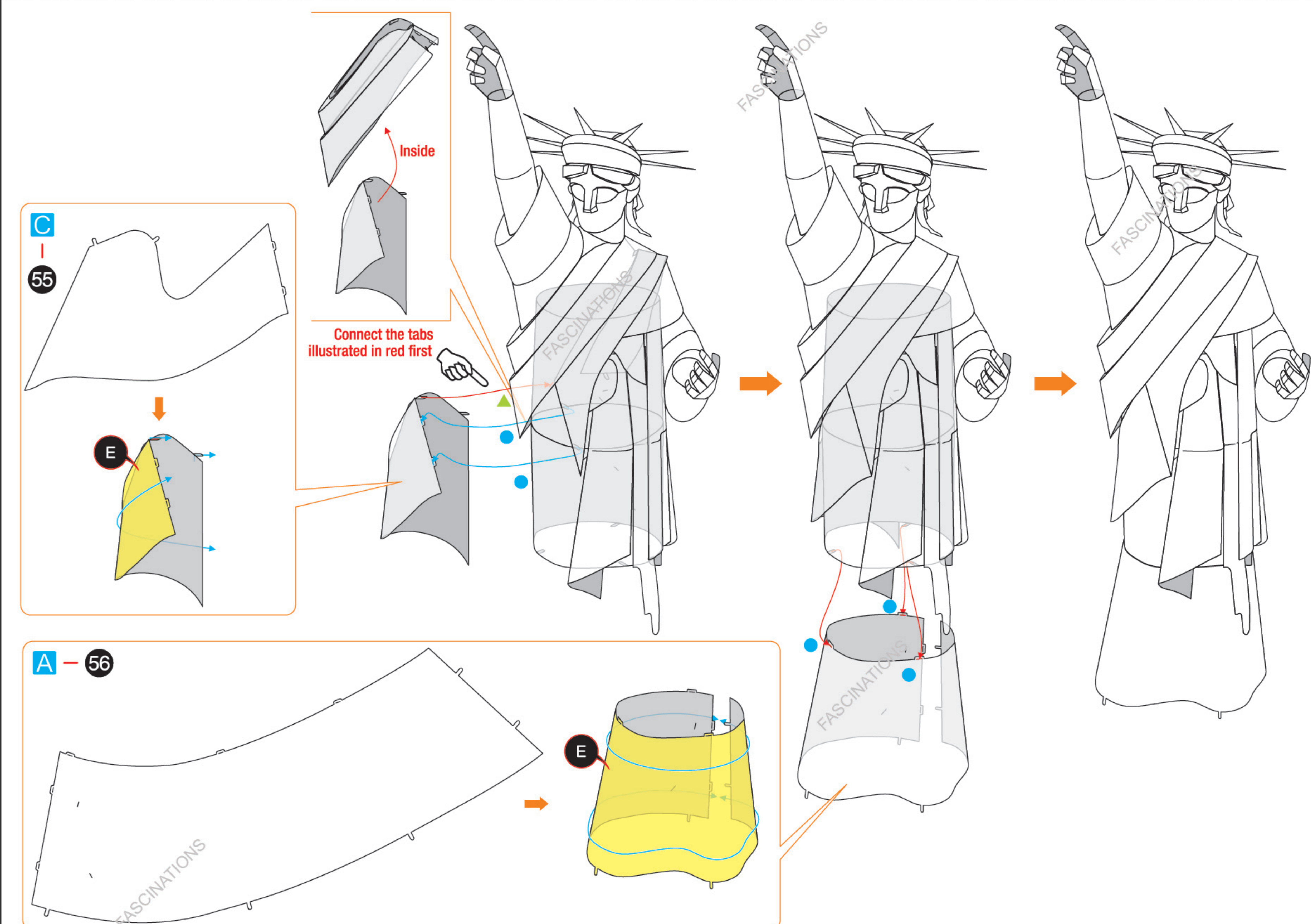
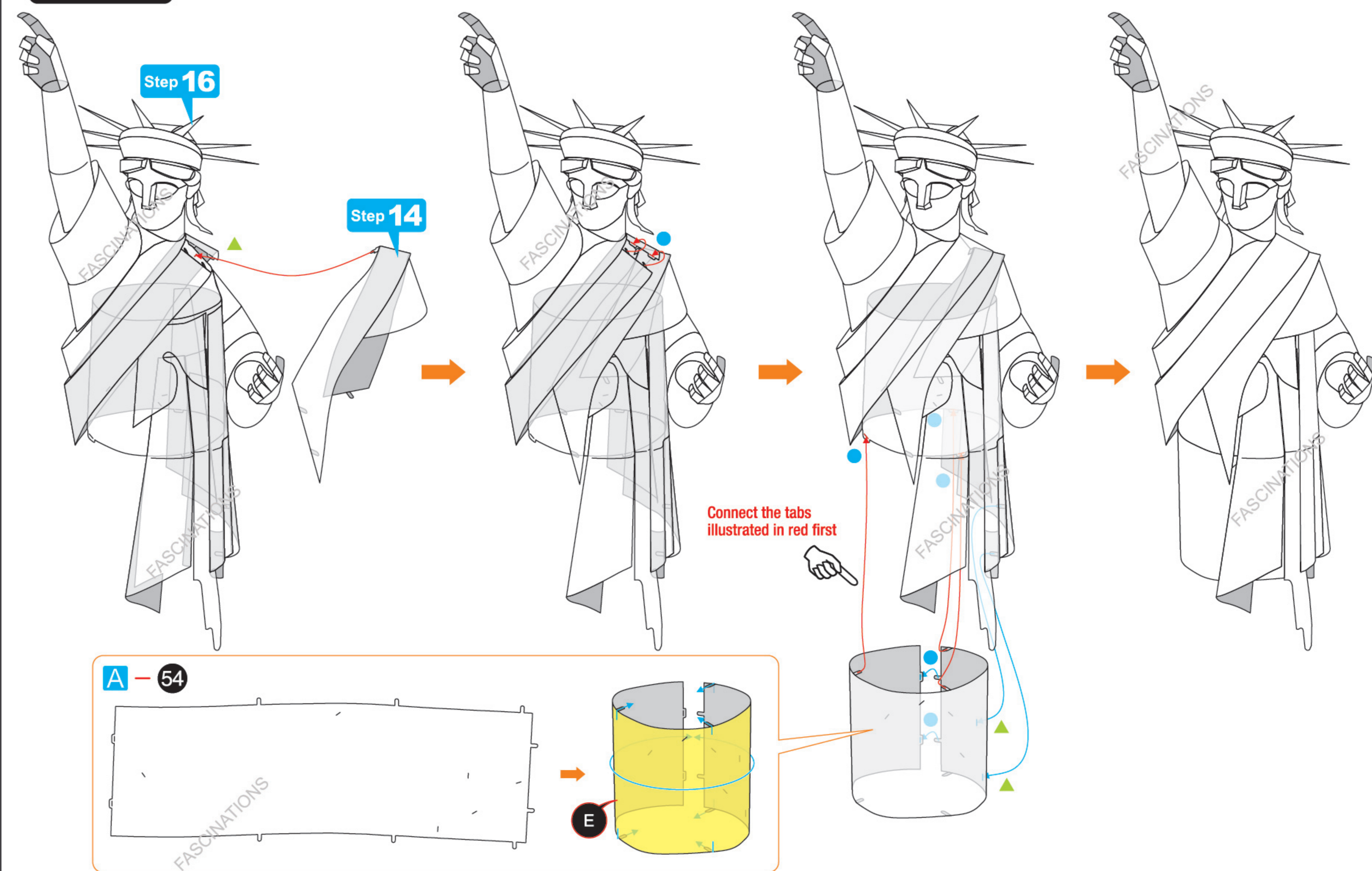
Step 15

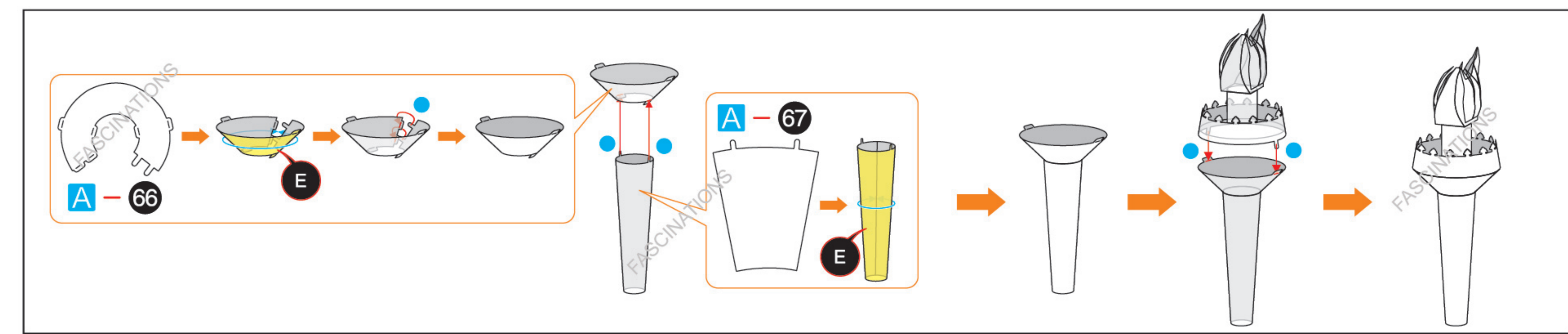
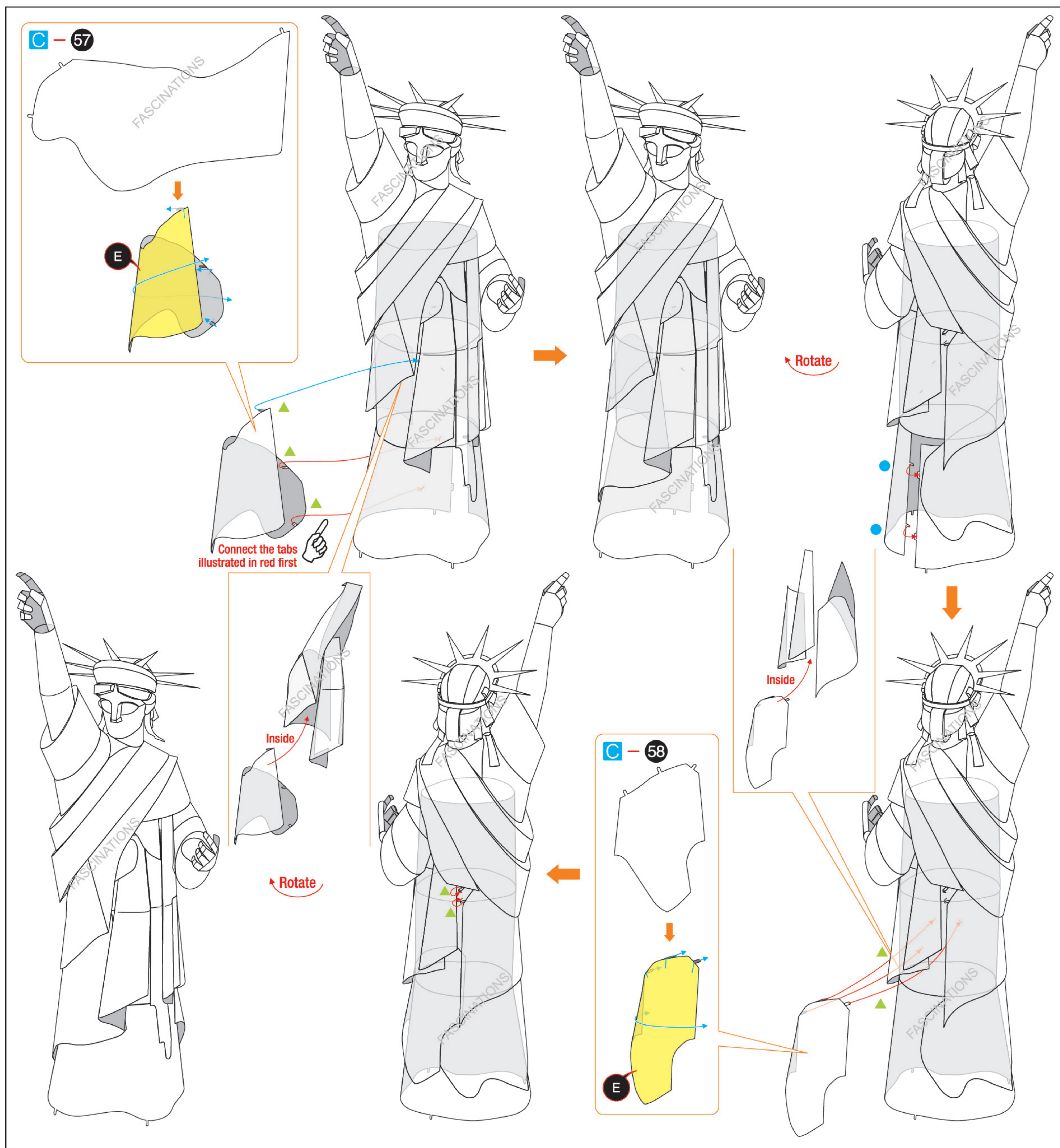


Step 16

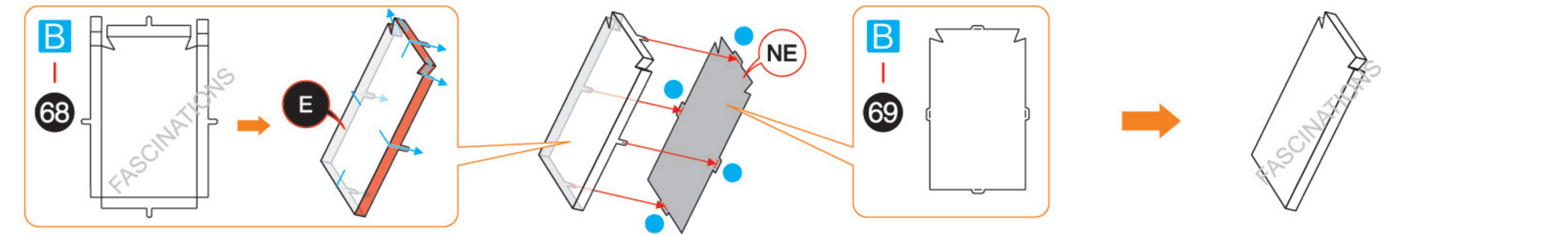


Step 17

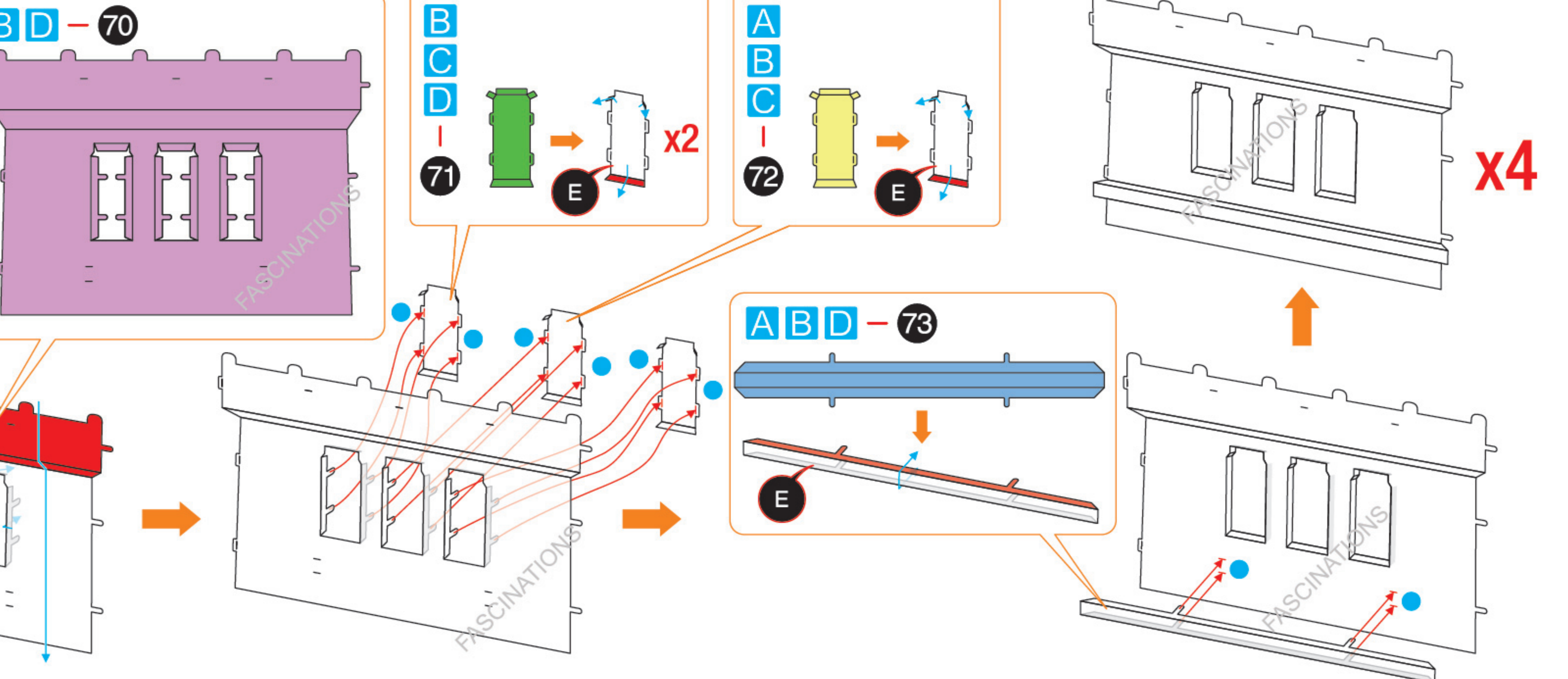




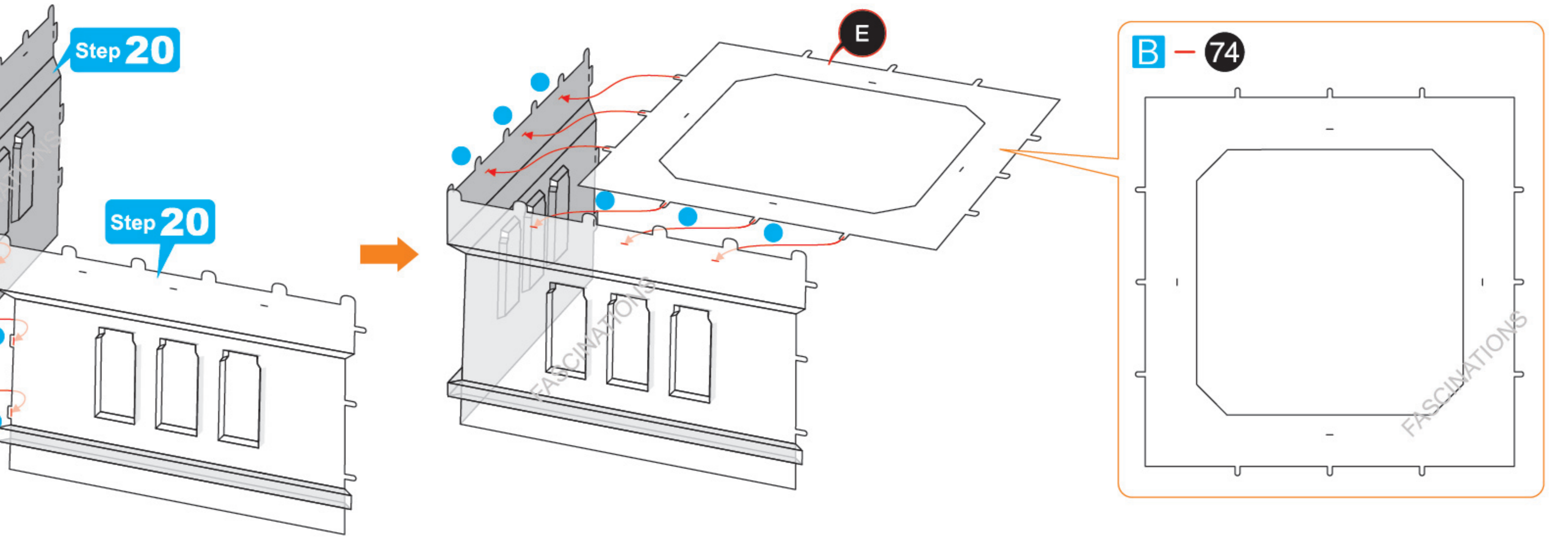
Step 19



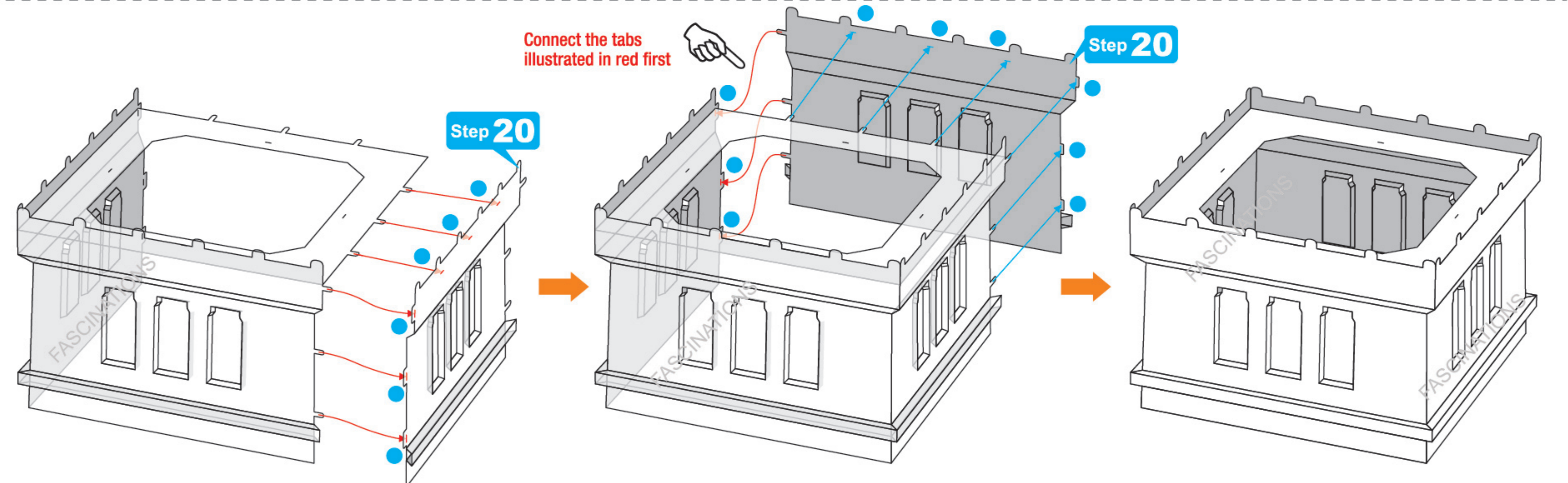
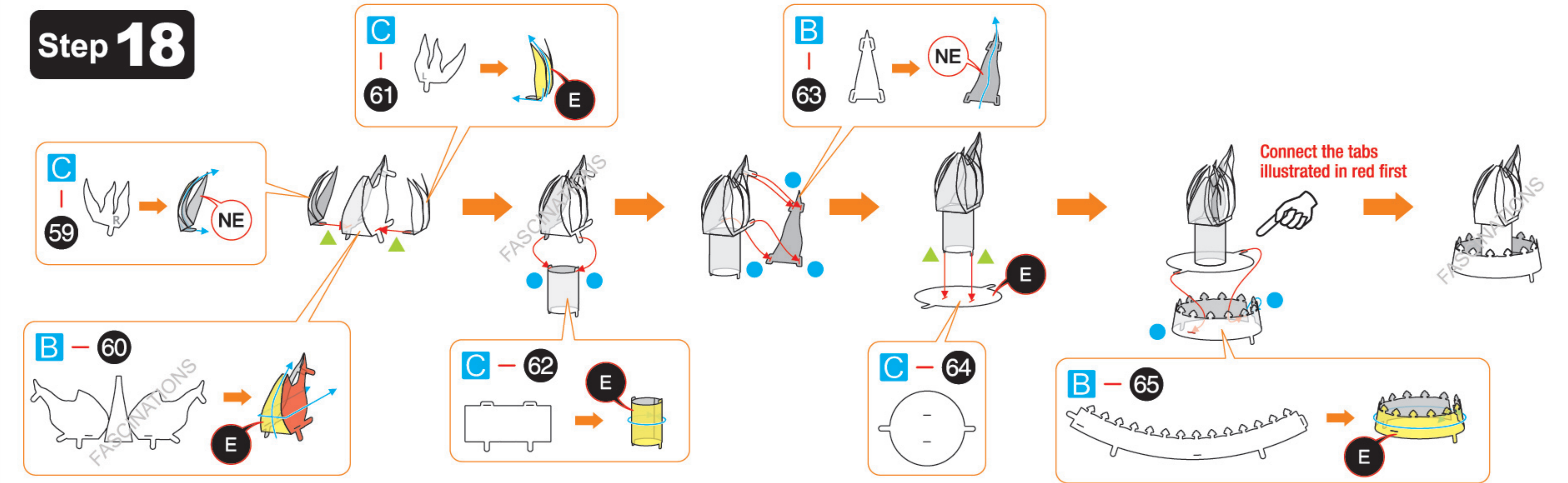
Step 20



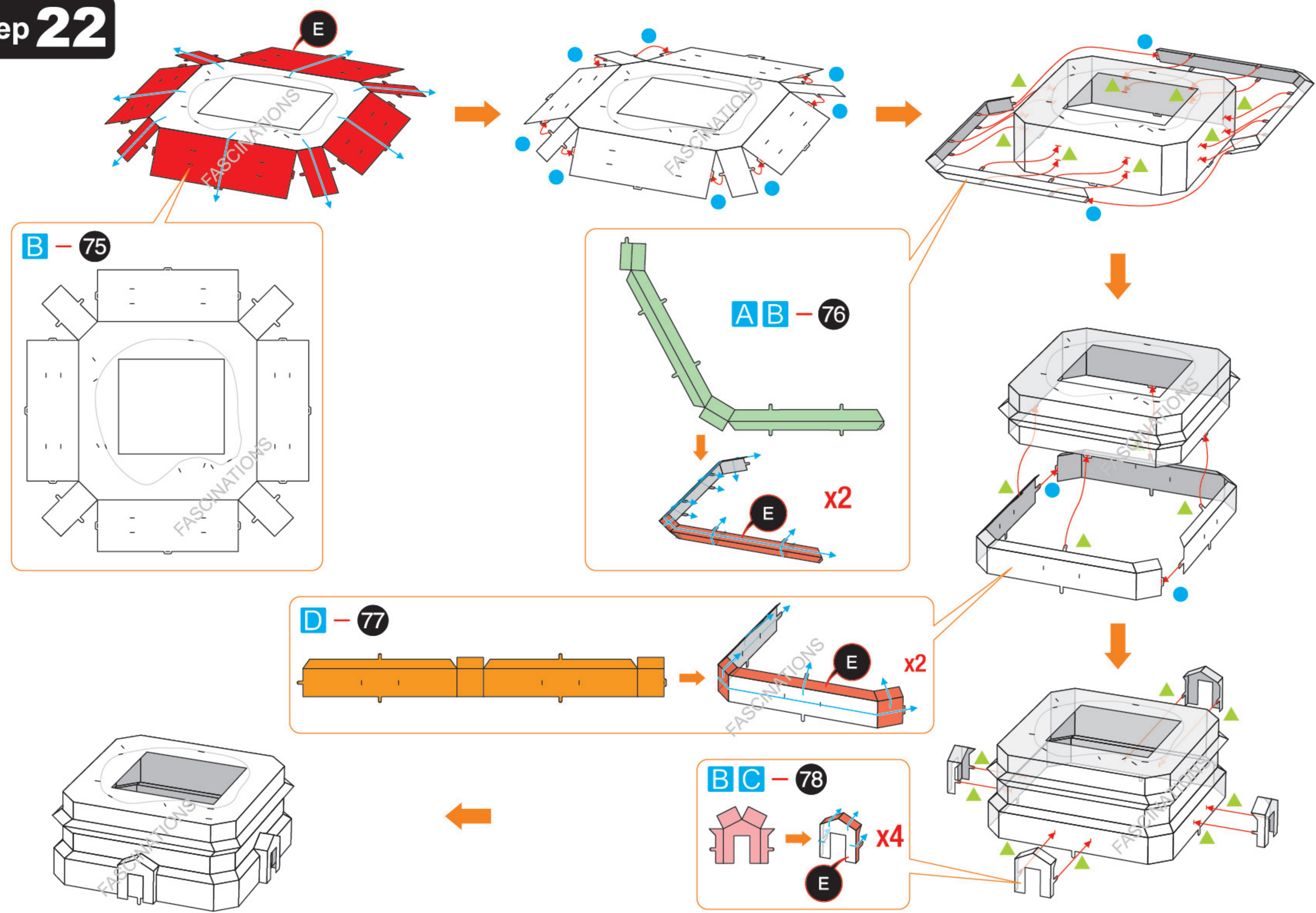
Step 21



Step 18



Step 22



Step 23

