

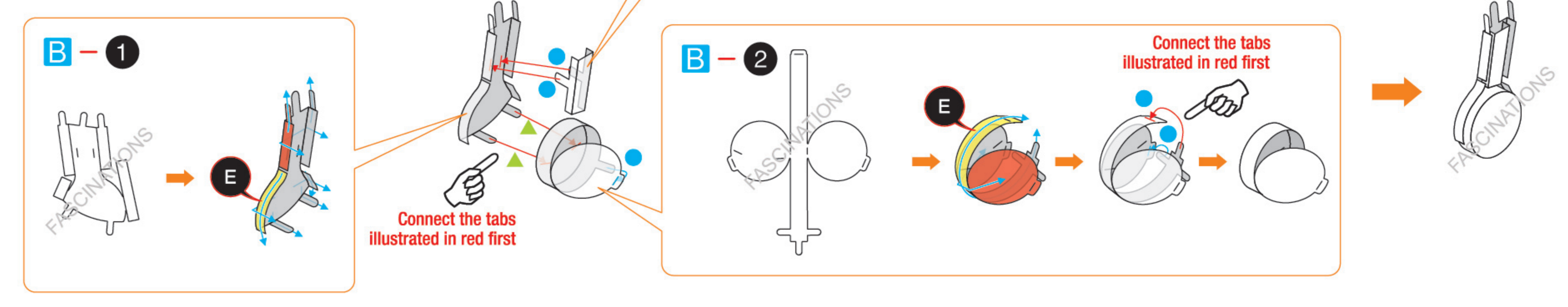
## SUPERMARINE SPITFIRE ME1005



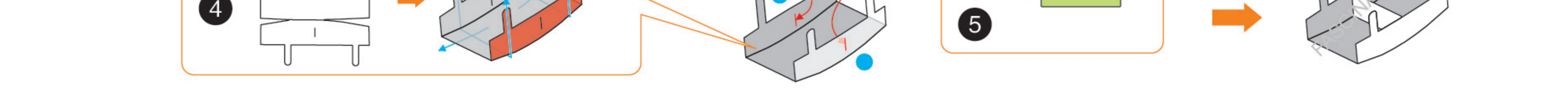
It is highly recommended that you visit [www.metalearth.com/360/ME1005](http://www.metalearth.com/360/ME1005) to see the completed model before assembling your own

### ASSEMBLY FLOW CHART

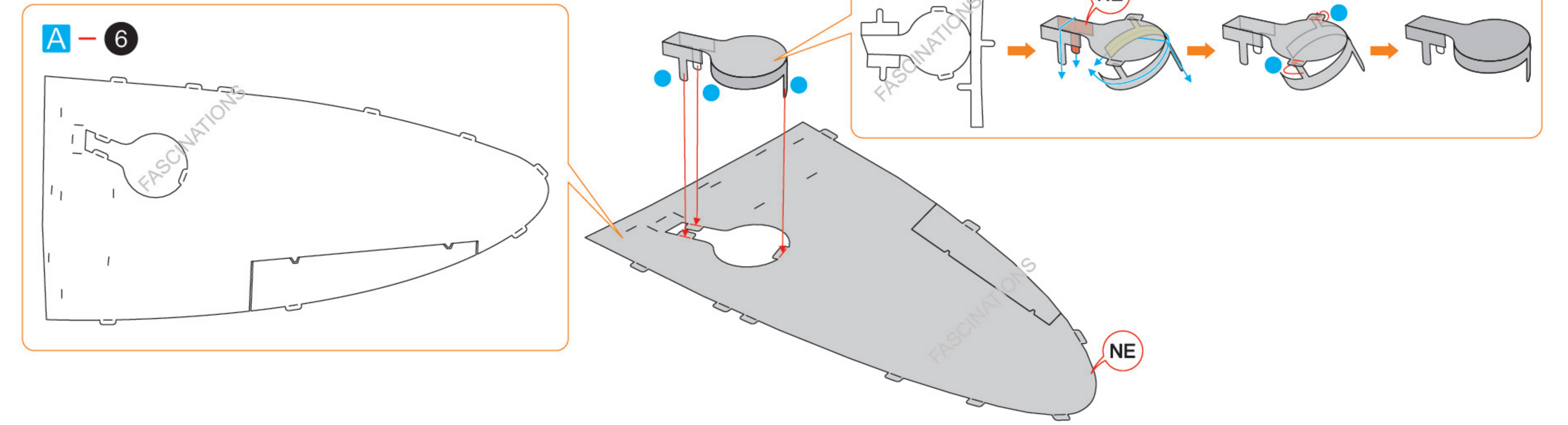
#### Step 1



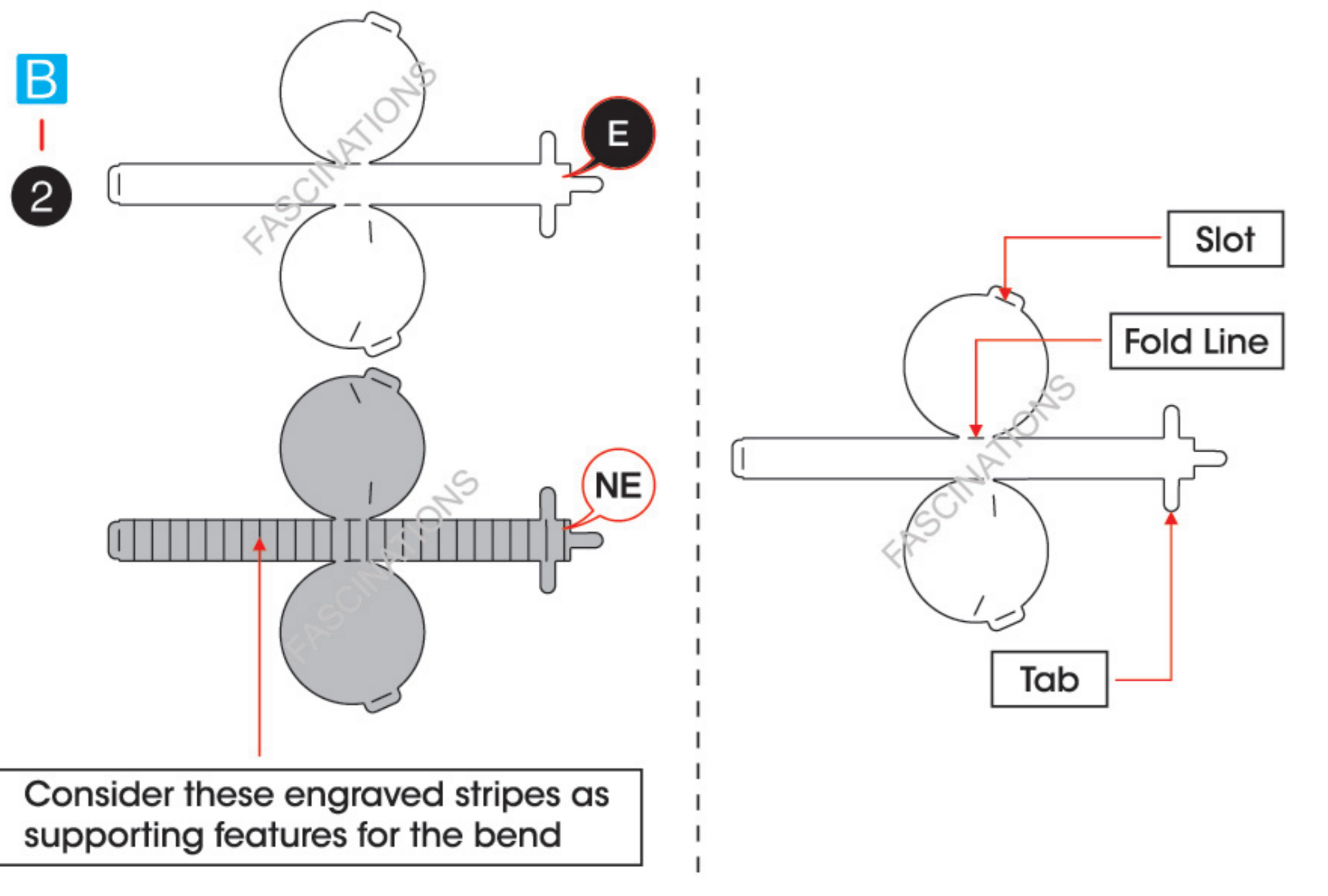
#### Step 2



#### Step 3

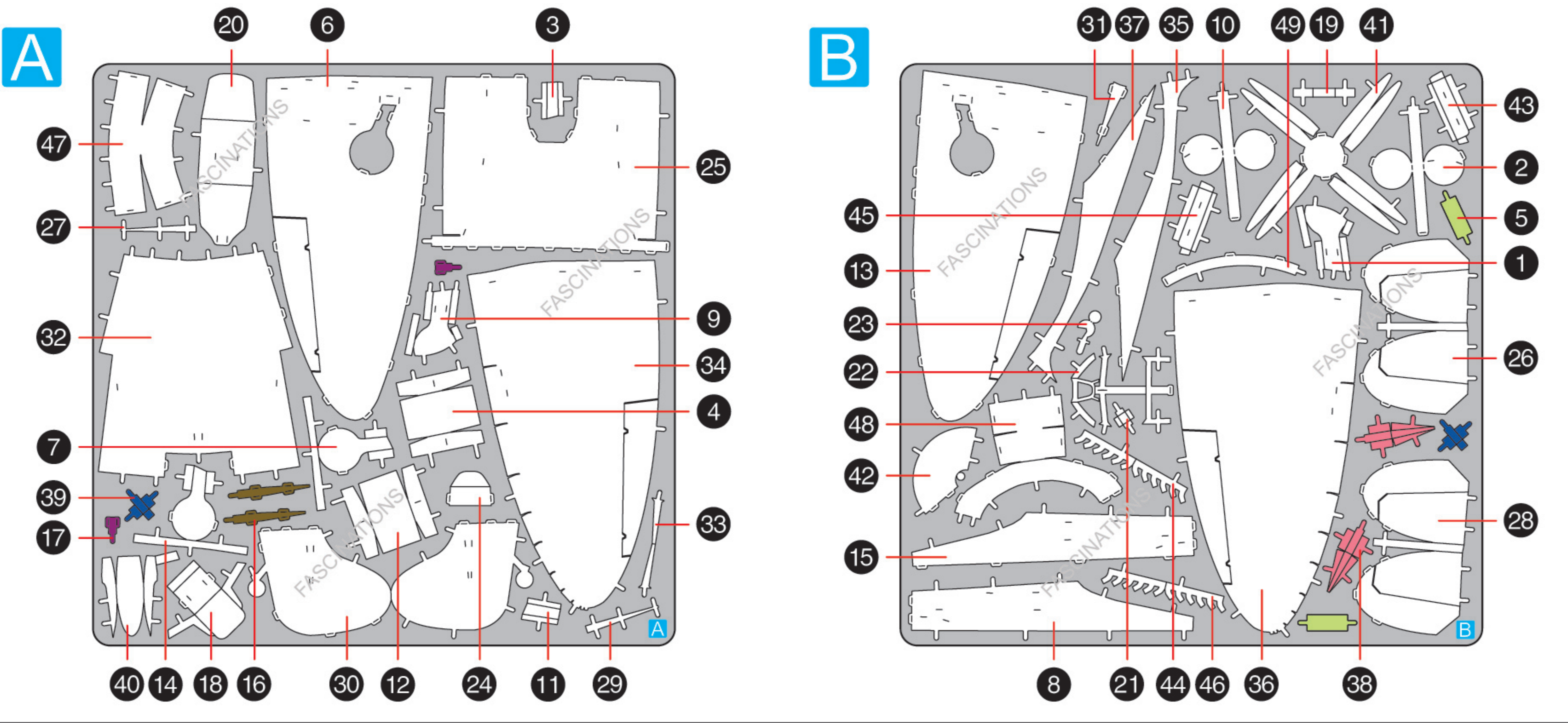


### TO CREATE THE BEST CONNECTIONS

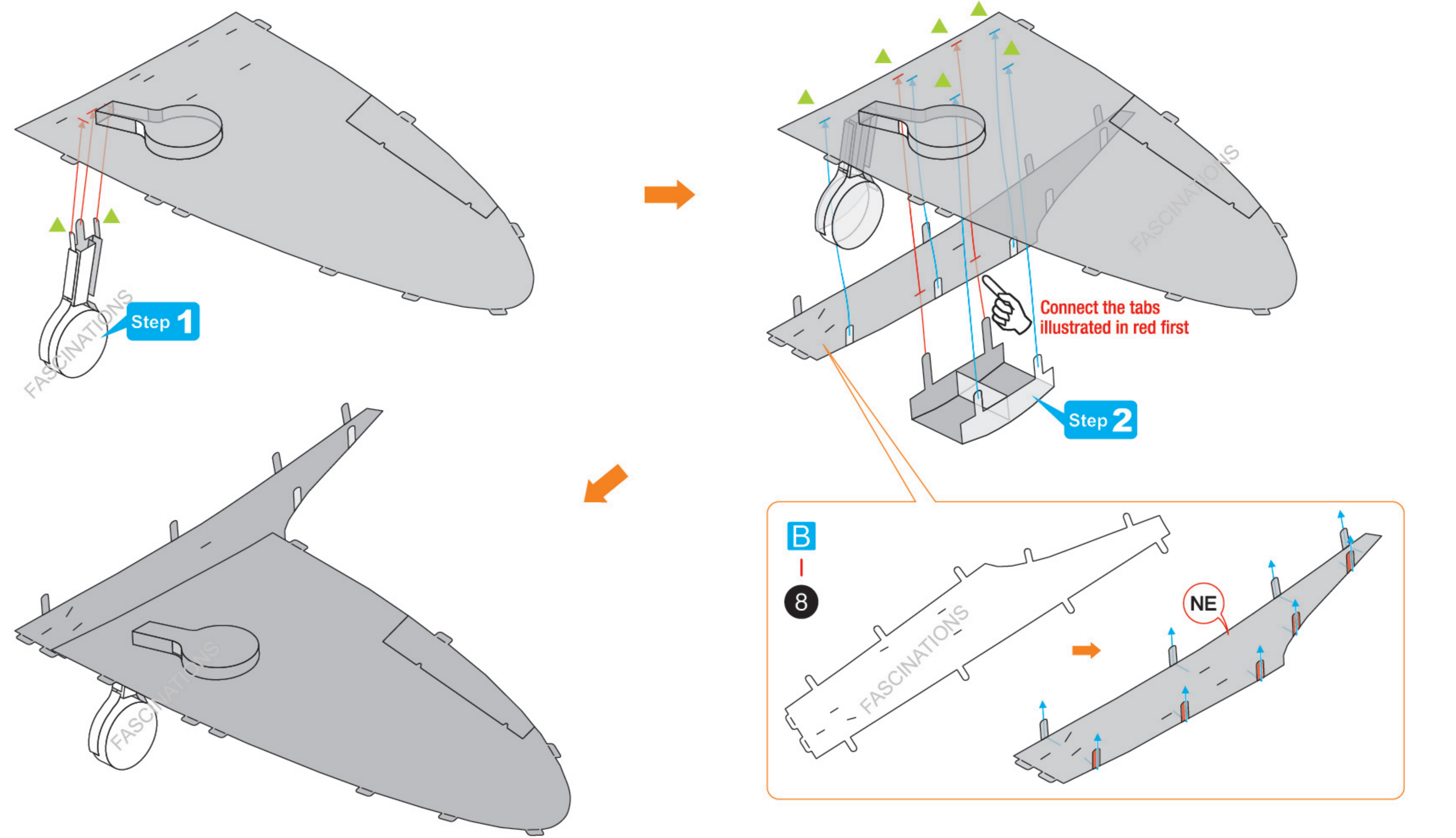


- Legends:**
- E** Engraved/ Color side
  - NE** Non - engraved/ Silver side
  - Attention point
  - Insert tab and bend 90 degrees
  - Insert tab and twist 90 degrees
- Recommended tools:**
- Wire cutters: helpful for taking parts from the metal sheets.
  - Tweezers or needle nose pliers: helpful for folding parts, bending and twisting tabs.
- Assembly tip:**
- If needed, slightly twist tabs to hold parts together then untwist and bend them down for a nice finish.
- Yellow areas should be curled
  - Red areas should be folded

### METAL SHEETS

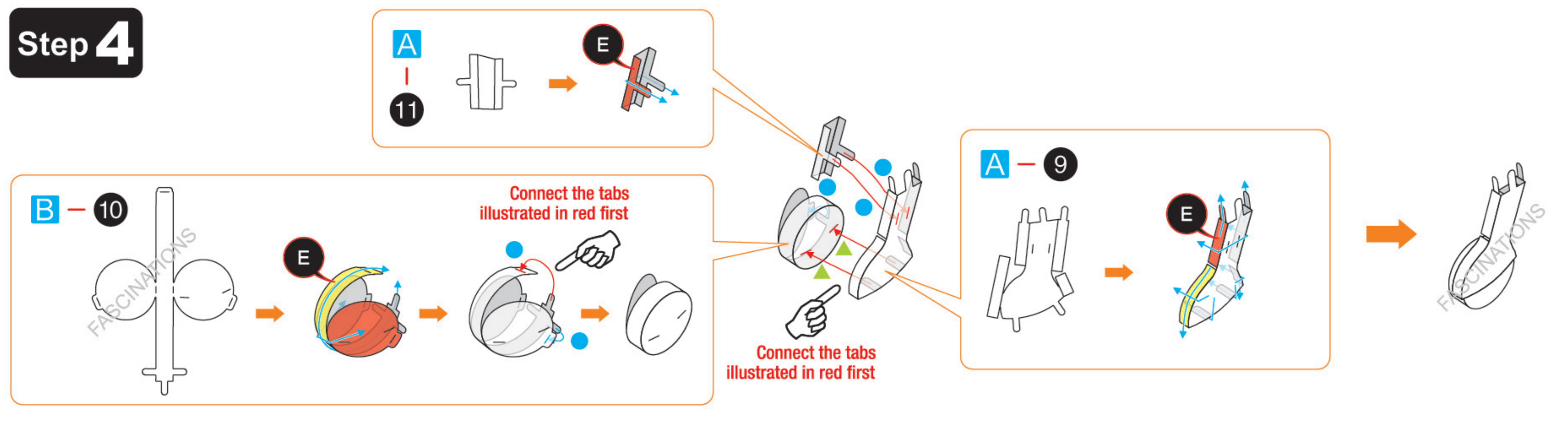


In order to avoid possible injury from sharp edges, please carefully discard the metal sheets after parts have been removed.

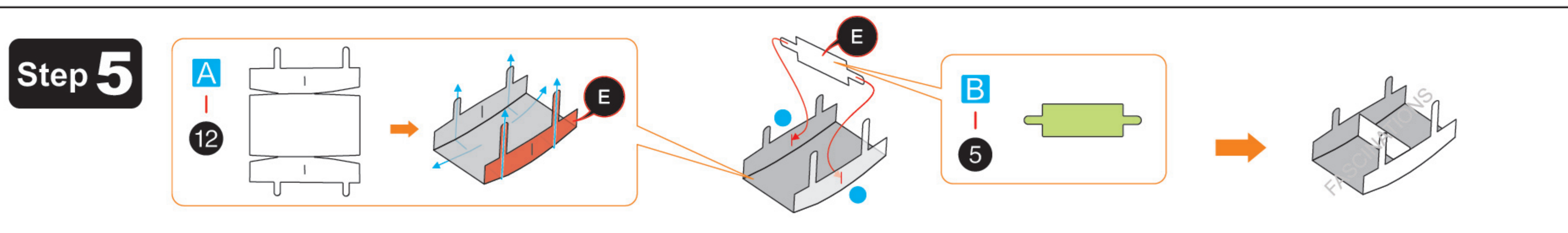




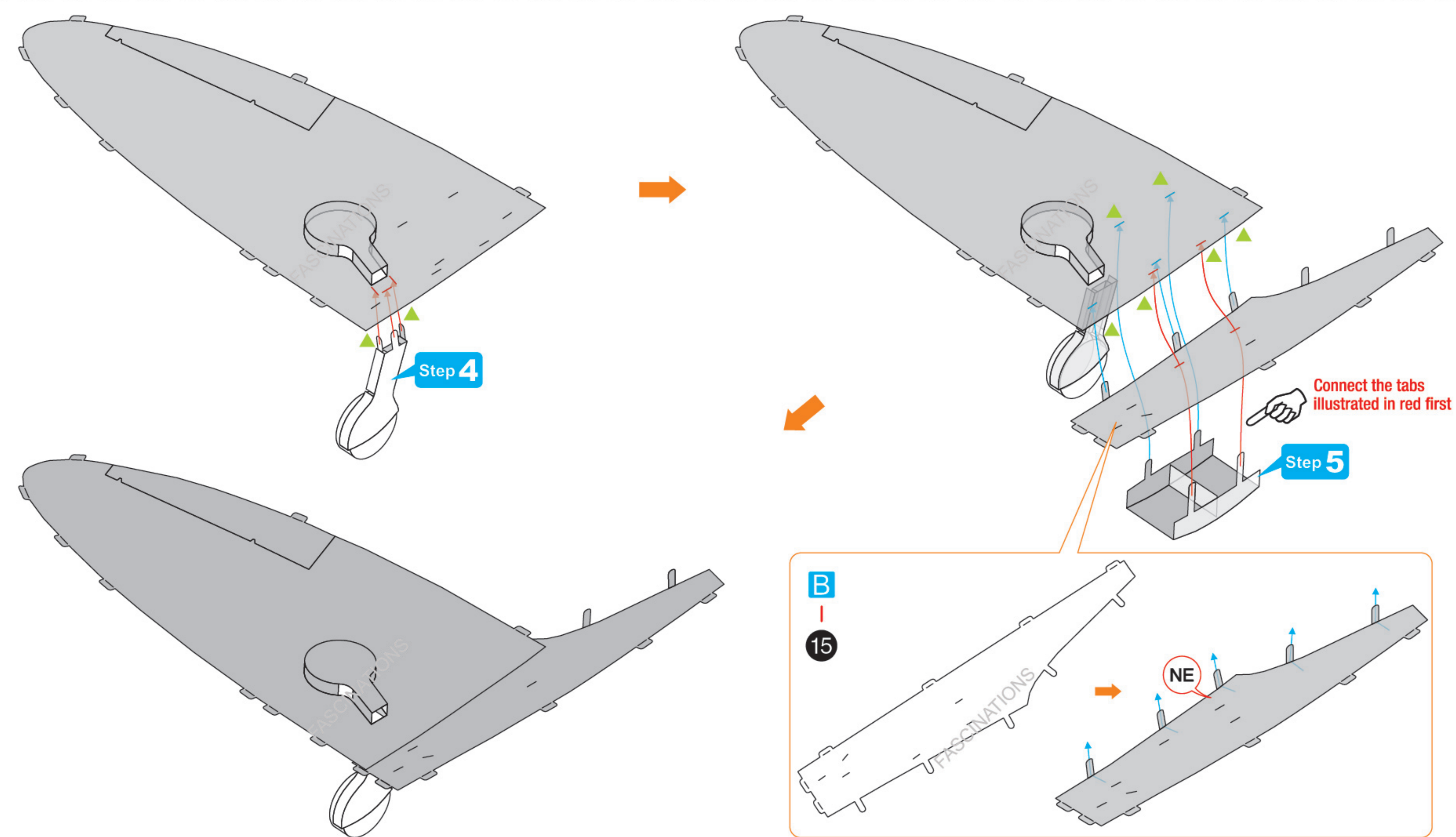
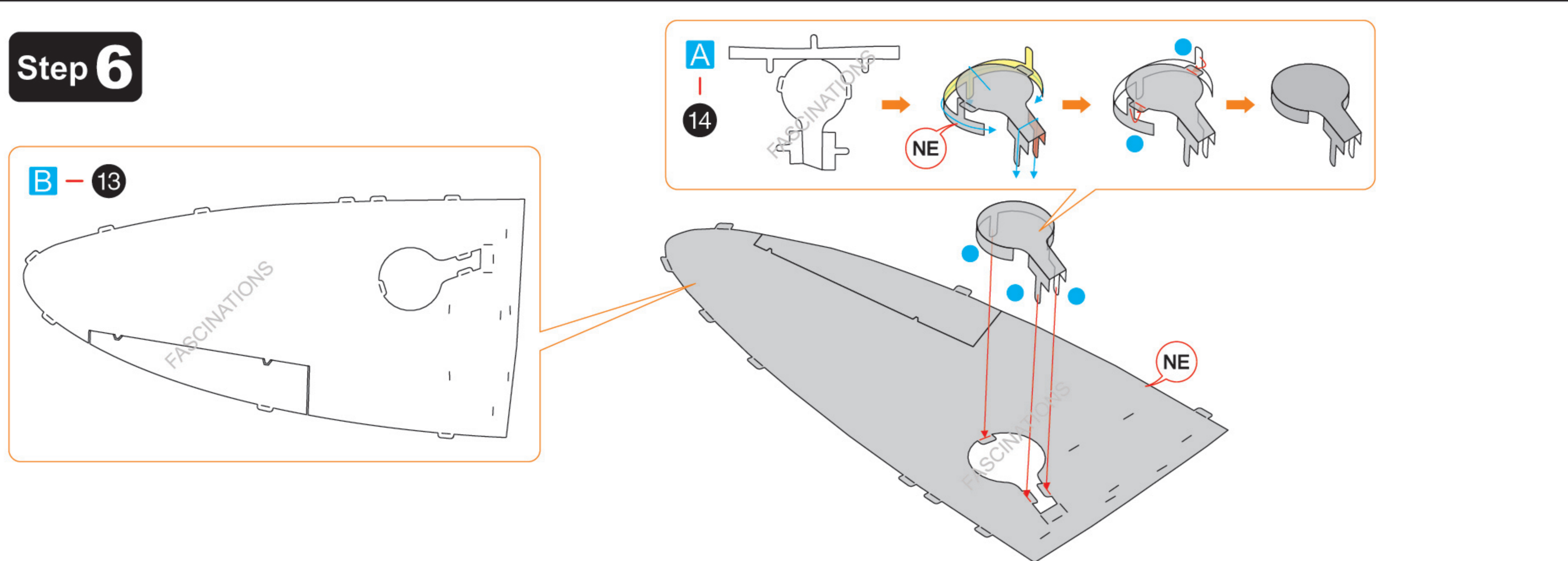
Step 4



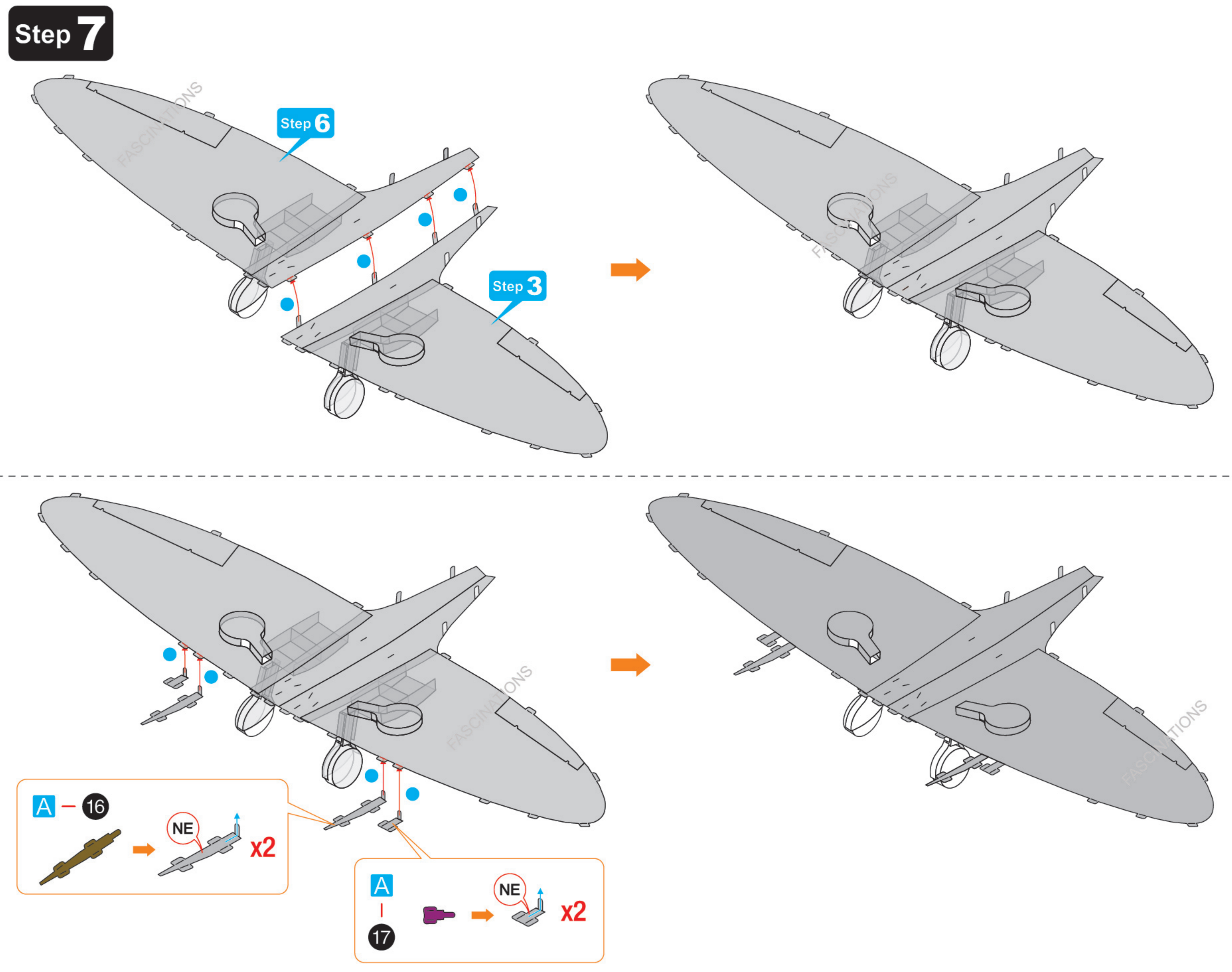
Step 5



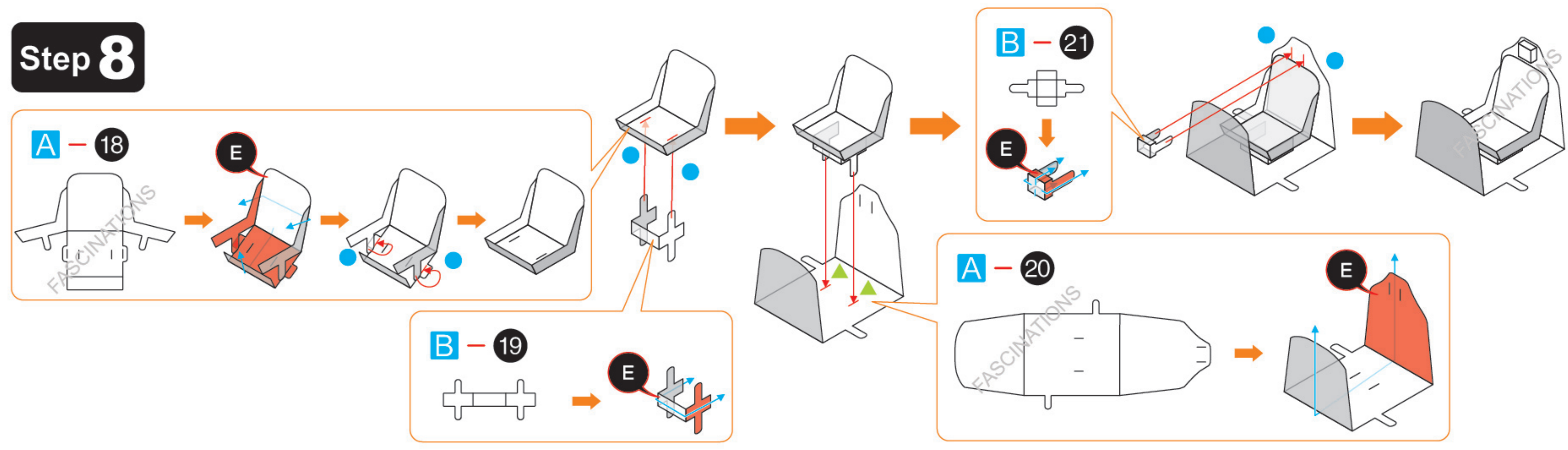
Step 6



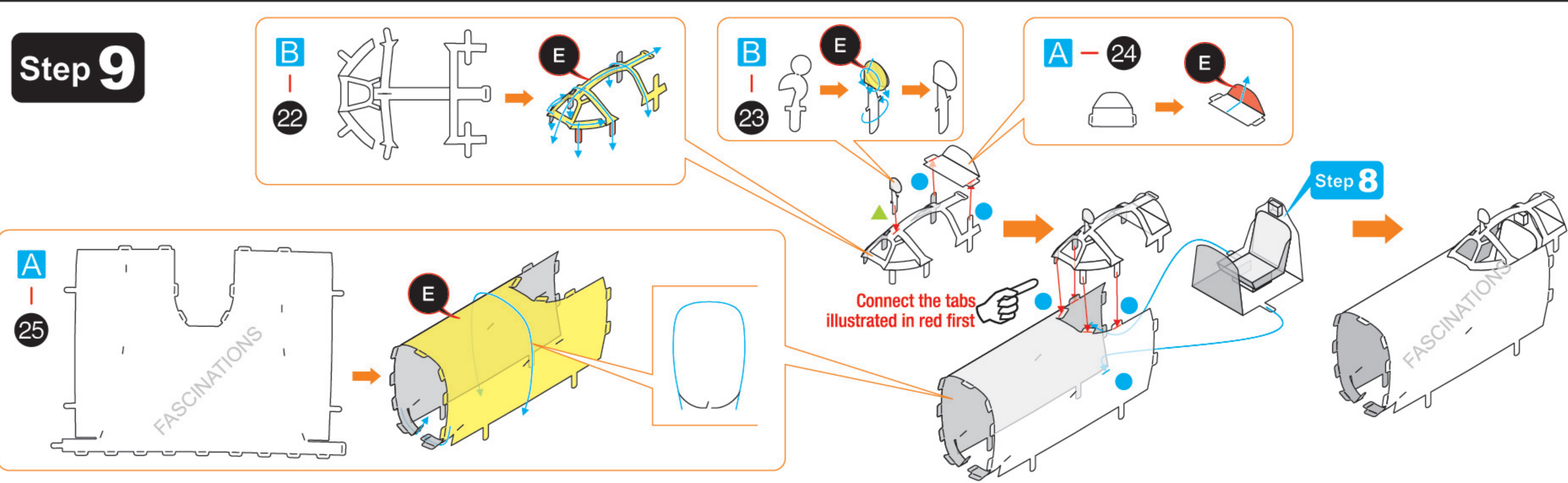
Step 7



Step 8

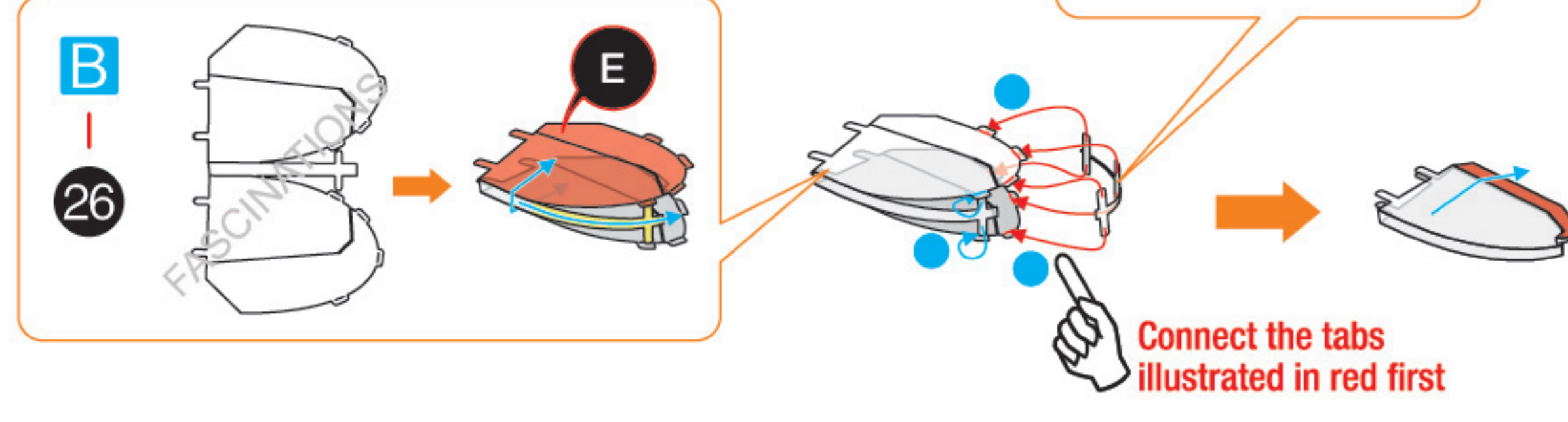


Step 9

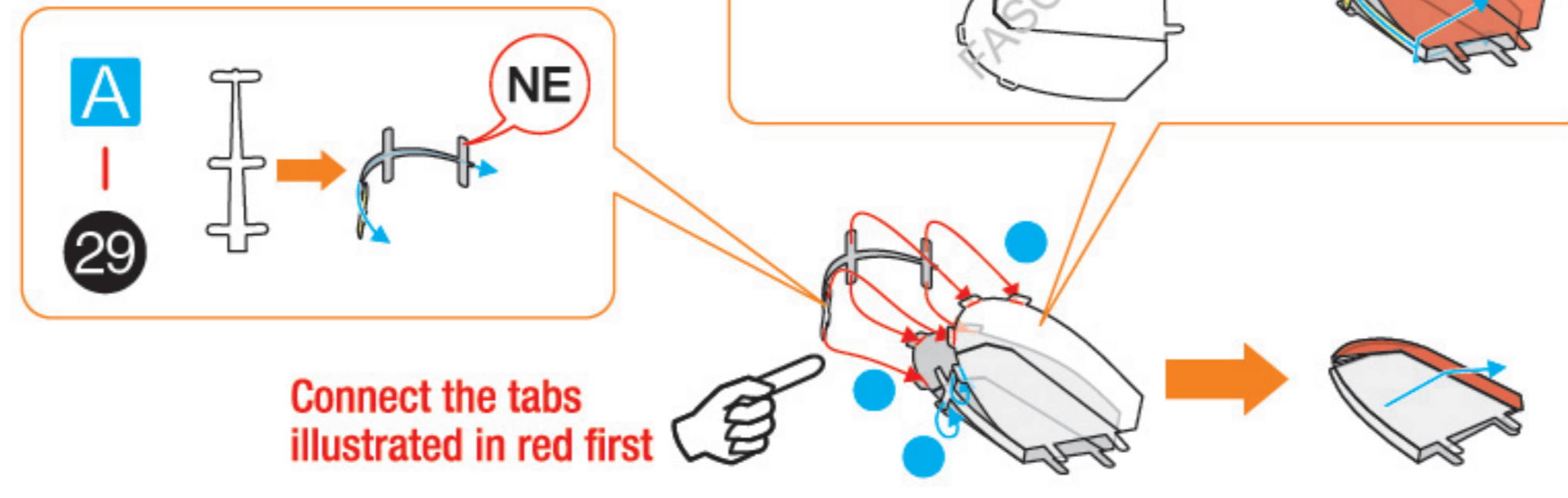




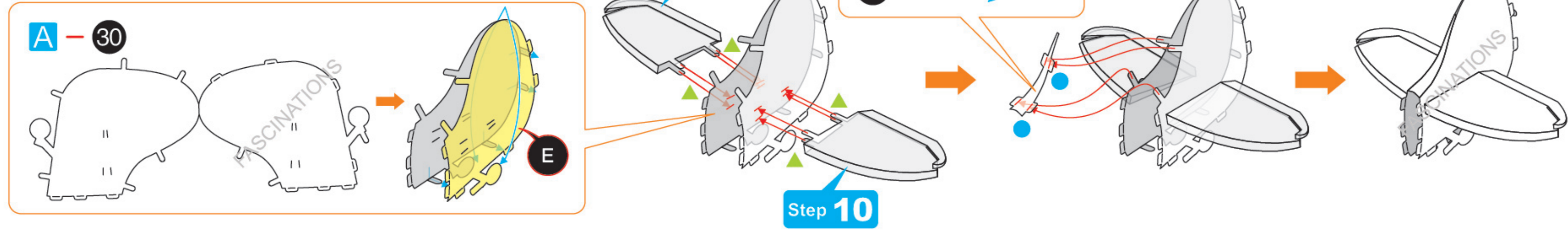
Step 10



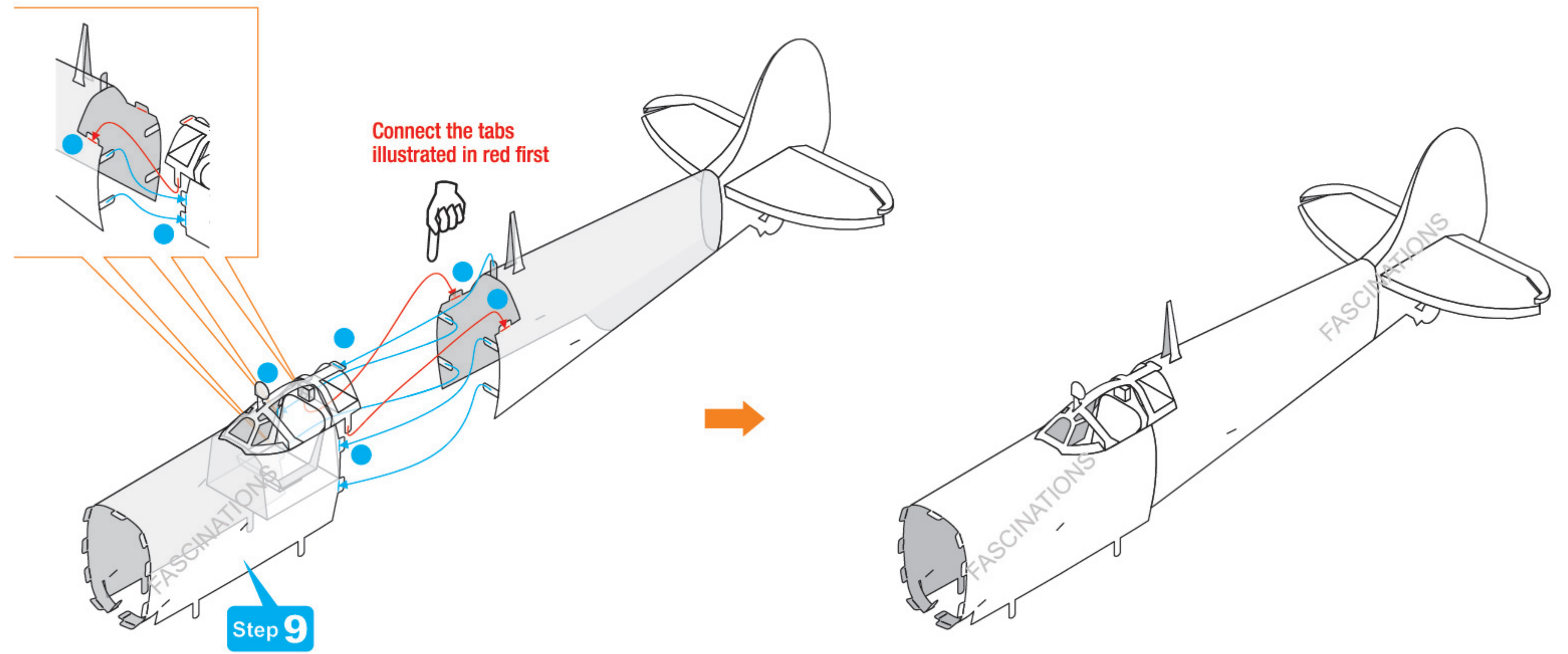
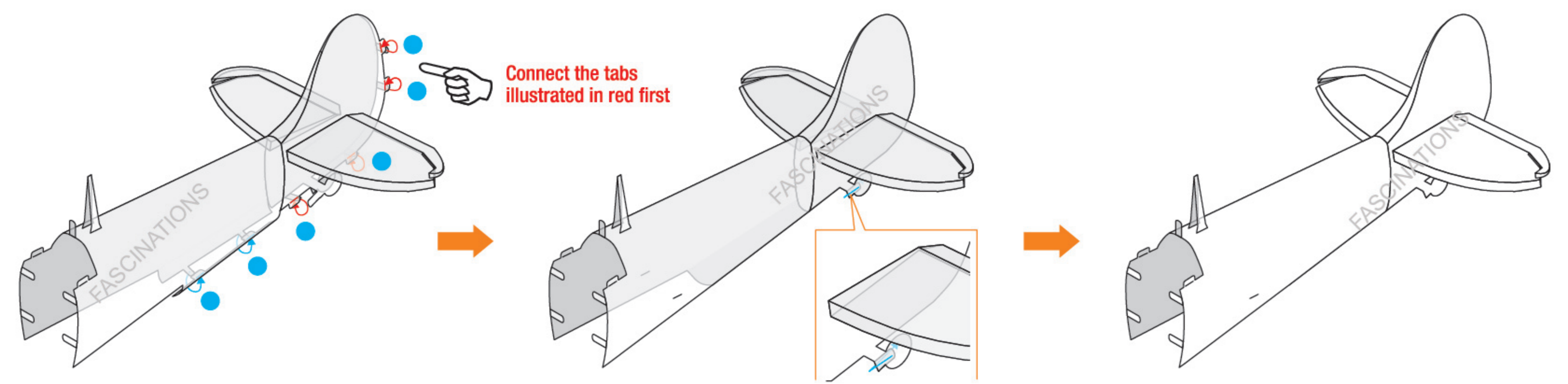
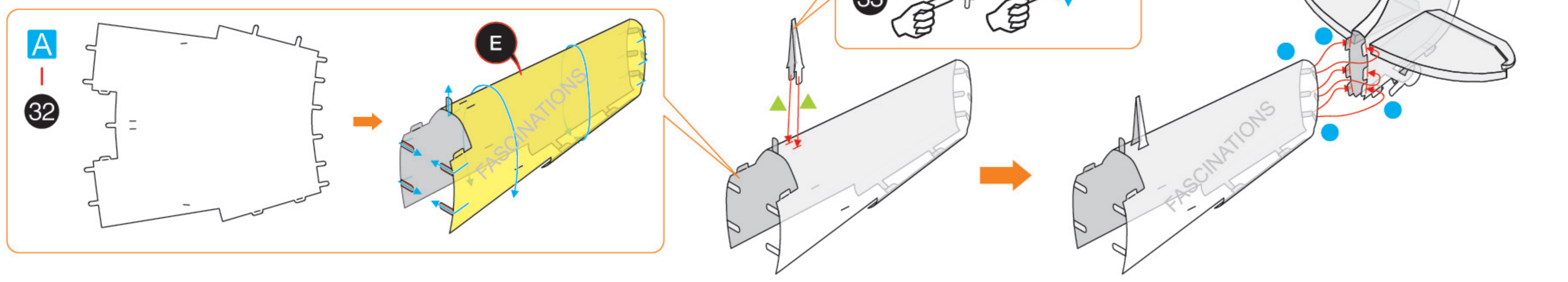
Step 11



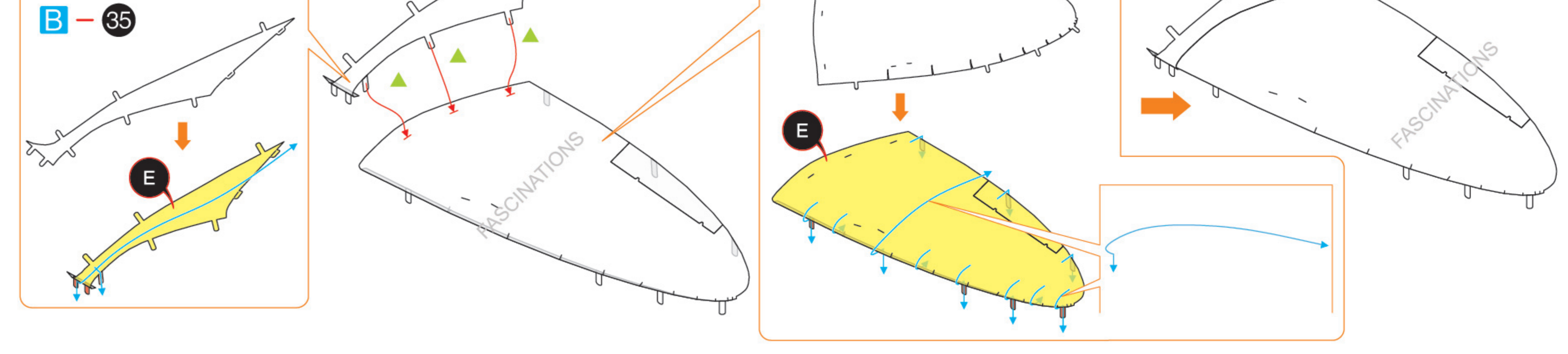
Step 12



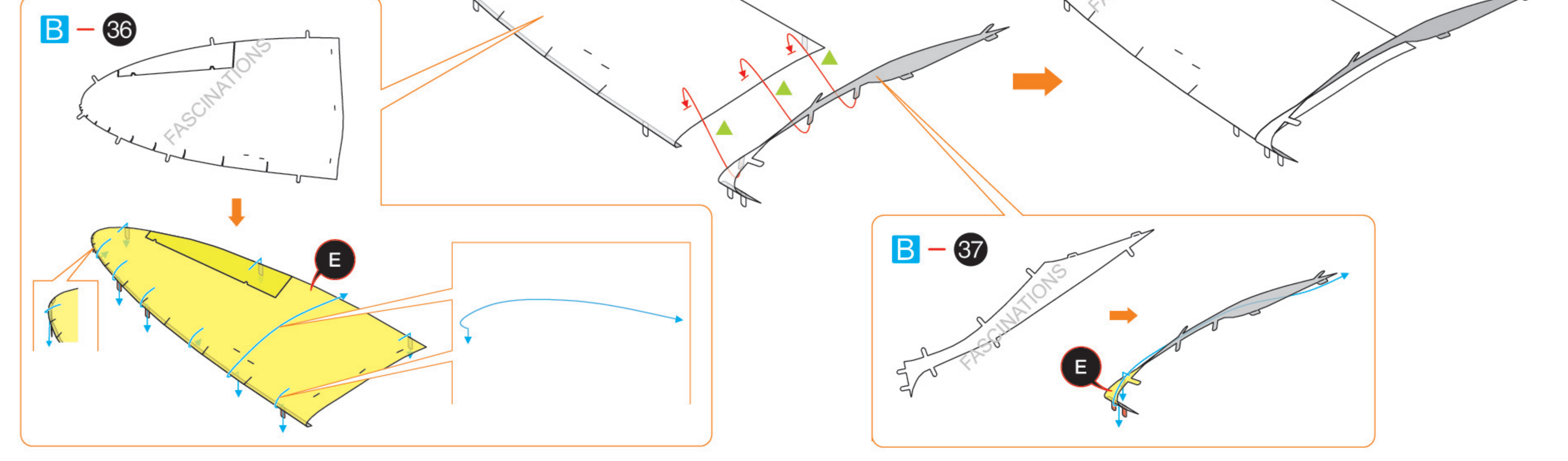
Step 13



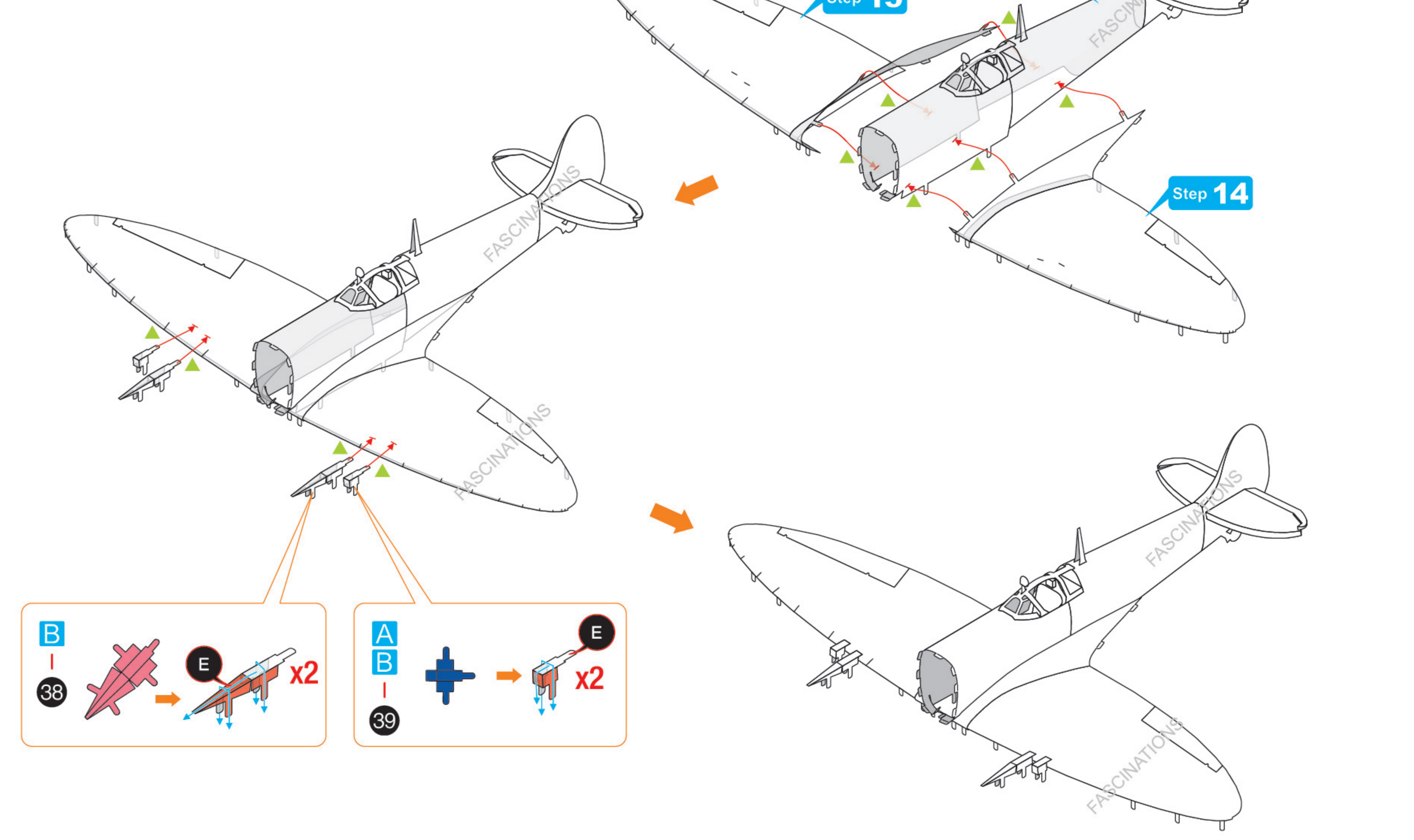
Step 14



Step 15

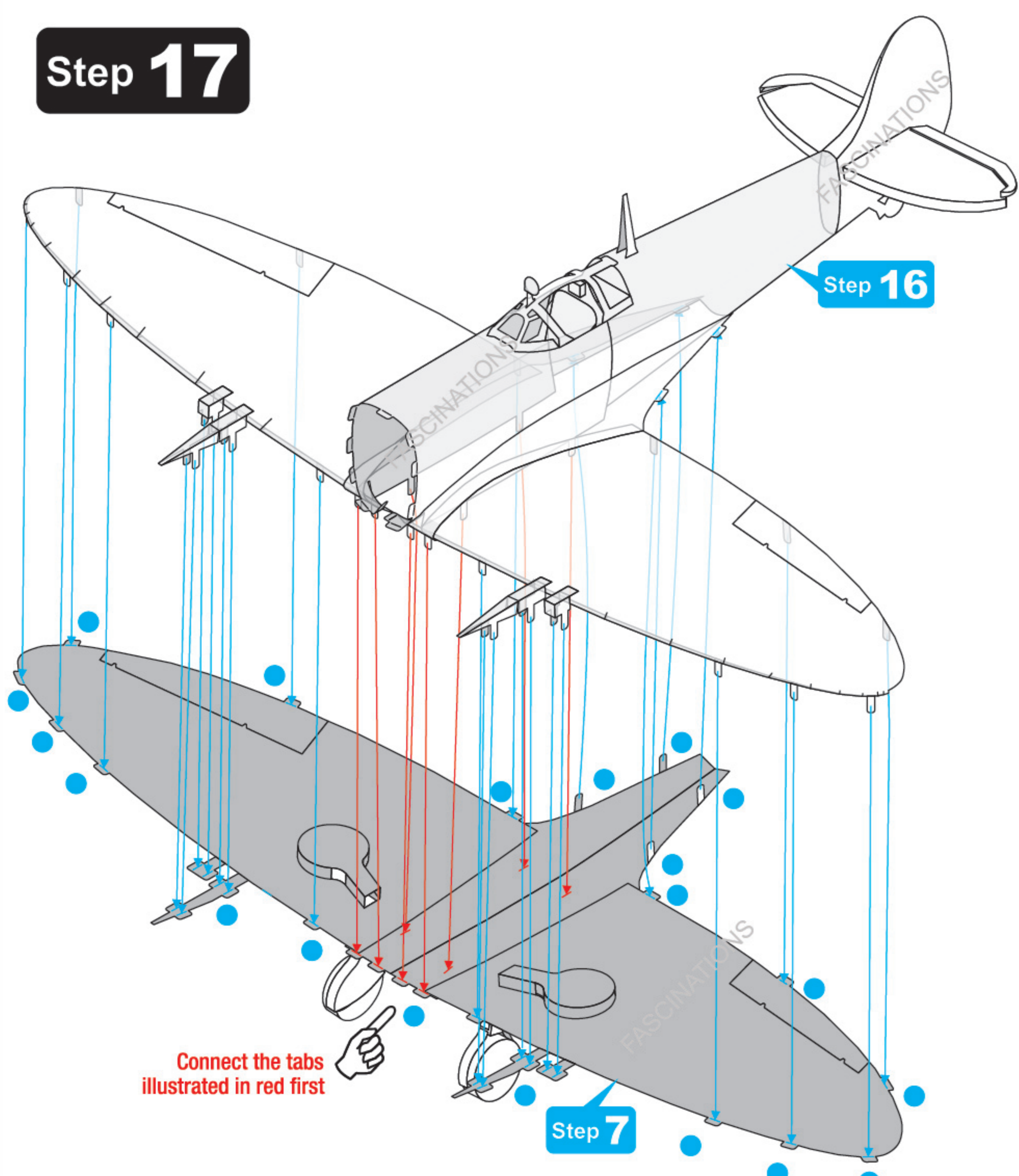


Step 16

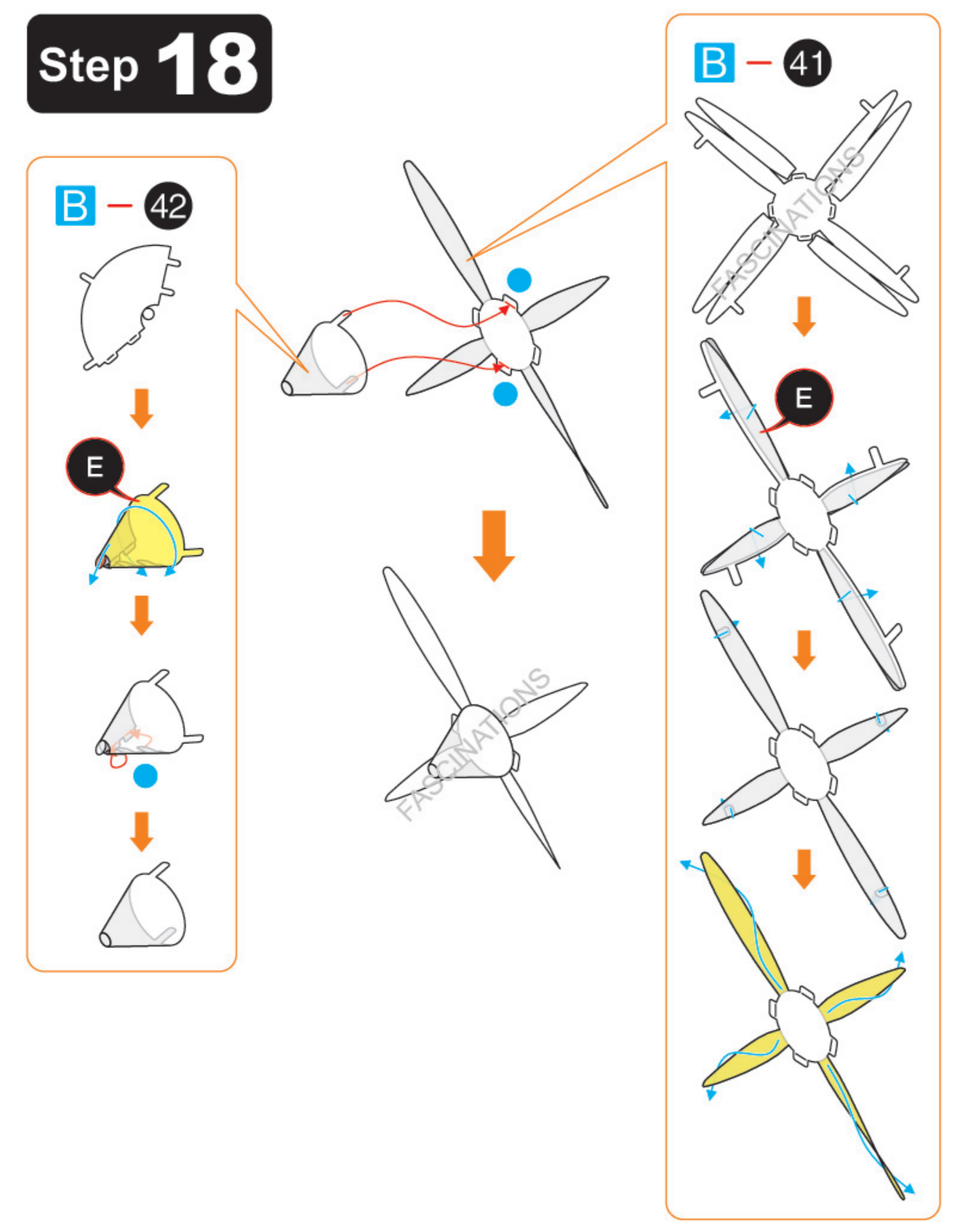




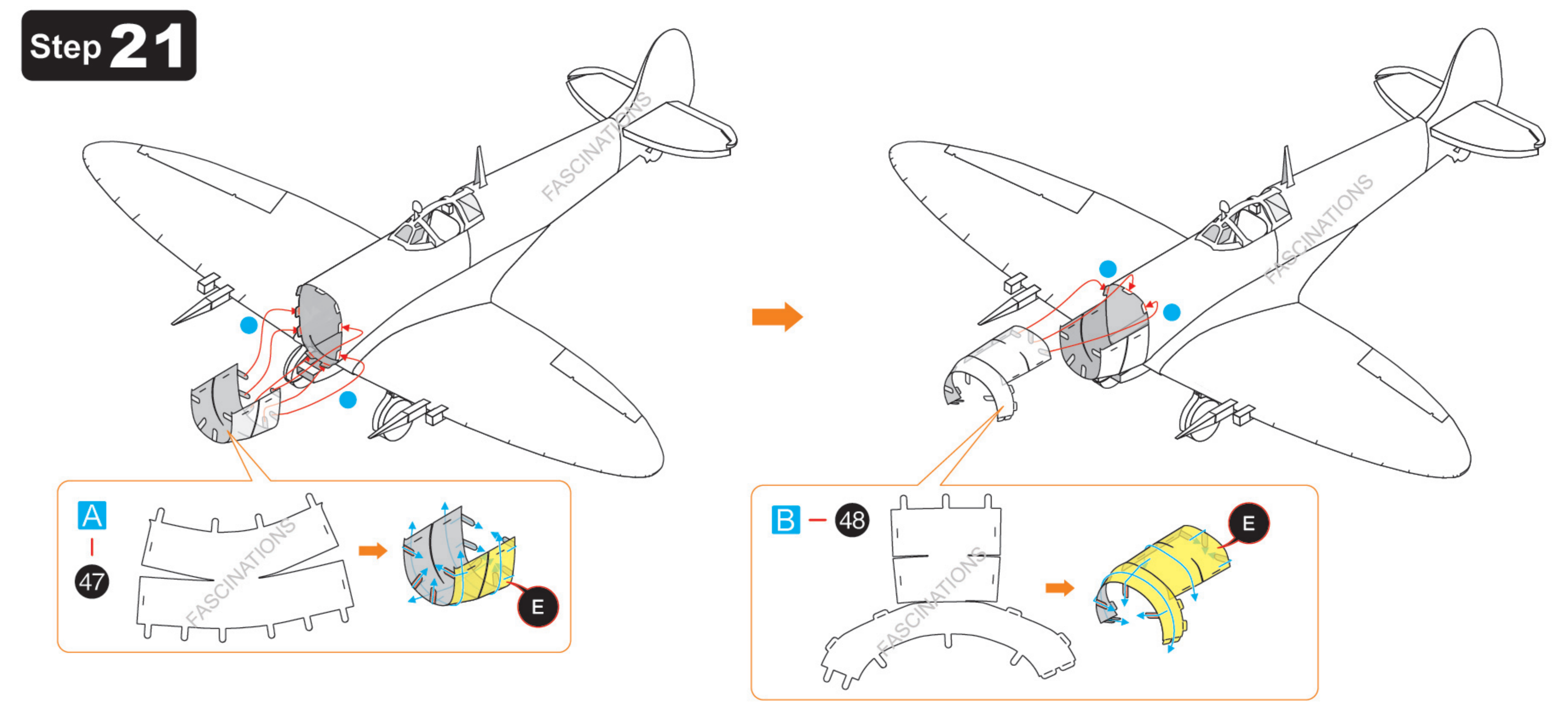
Step 17



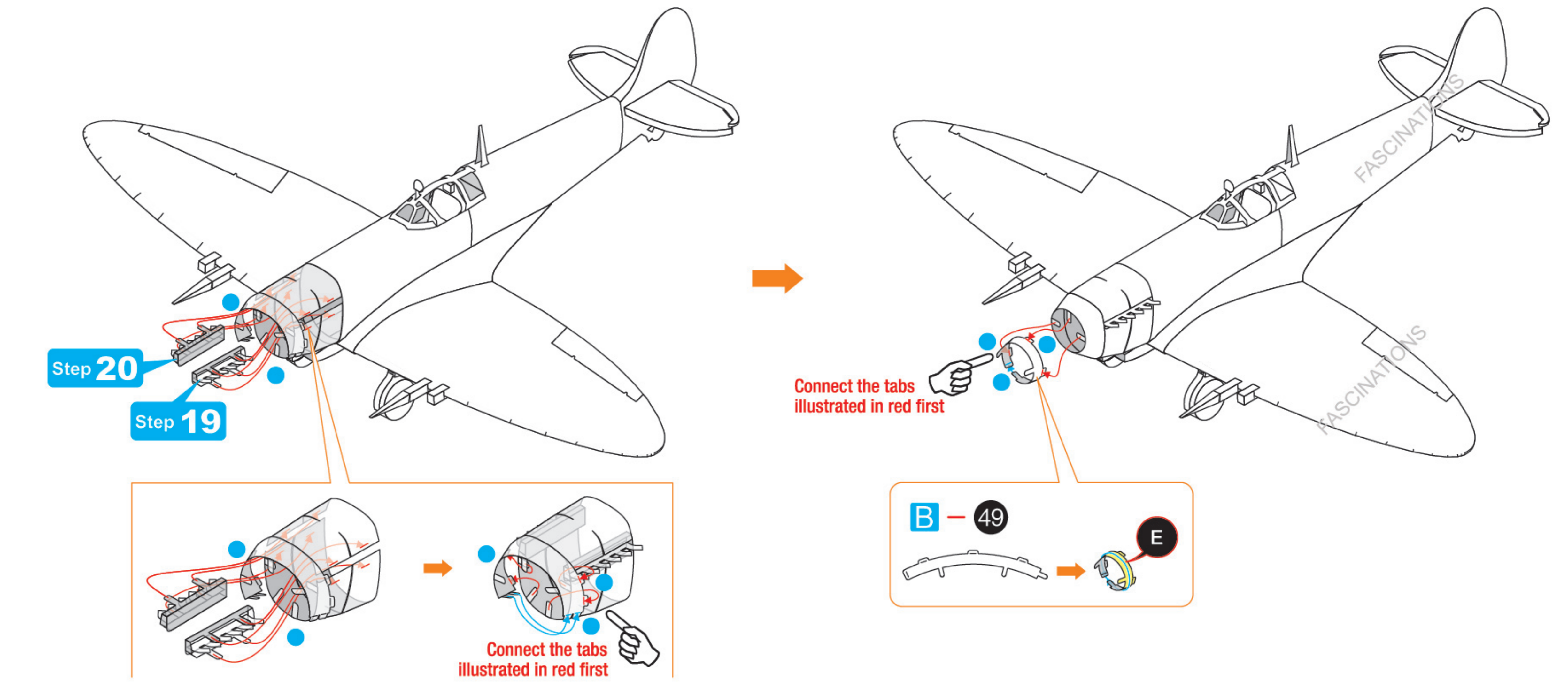
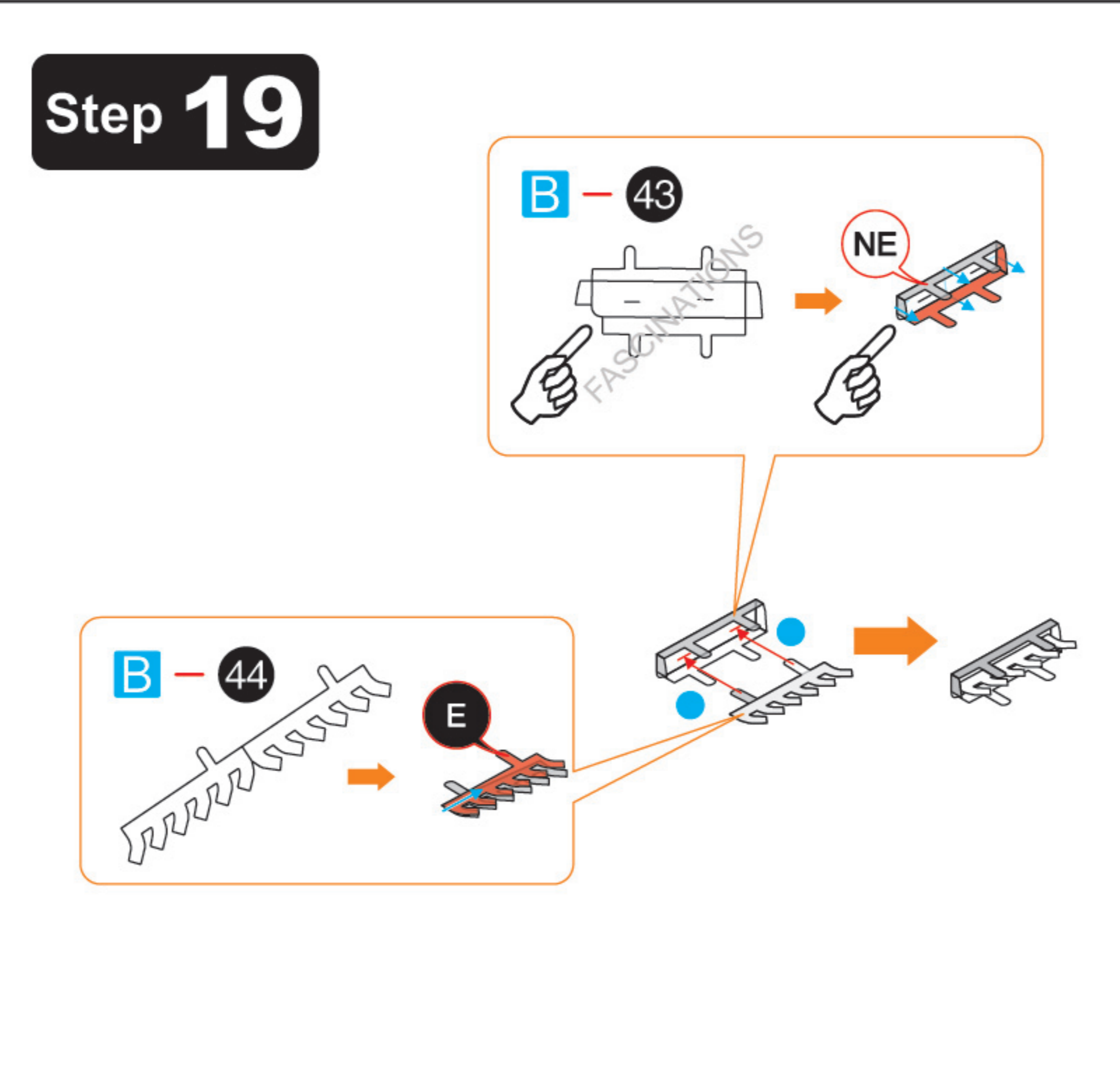
Step 18



Step 21



Step 19



Step 20

