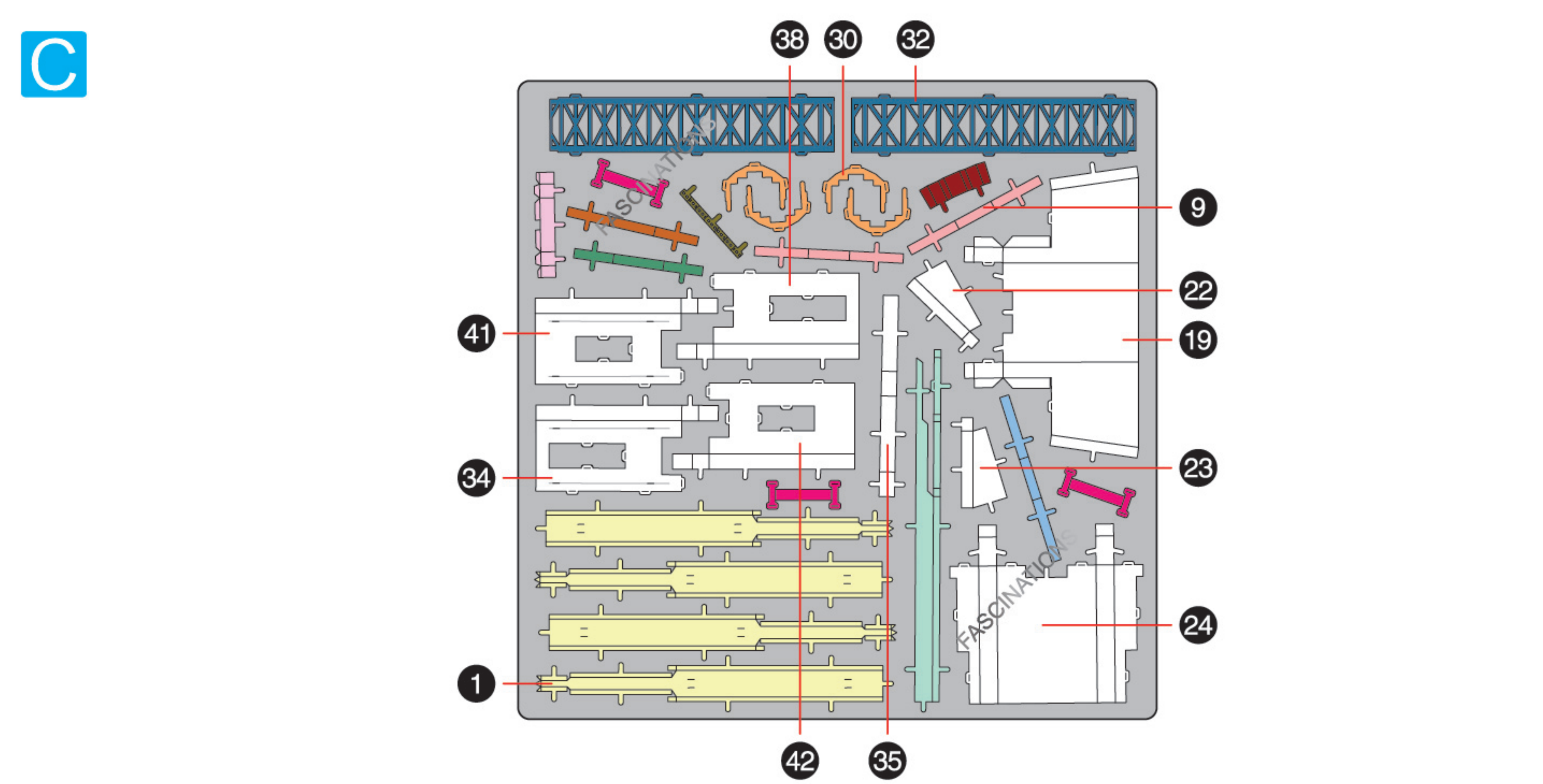
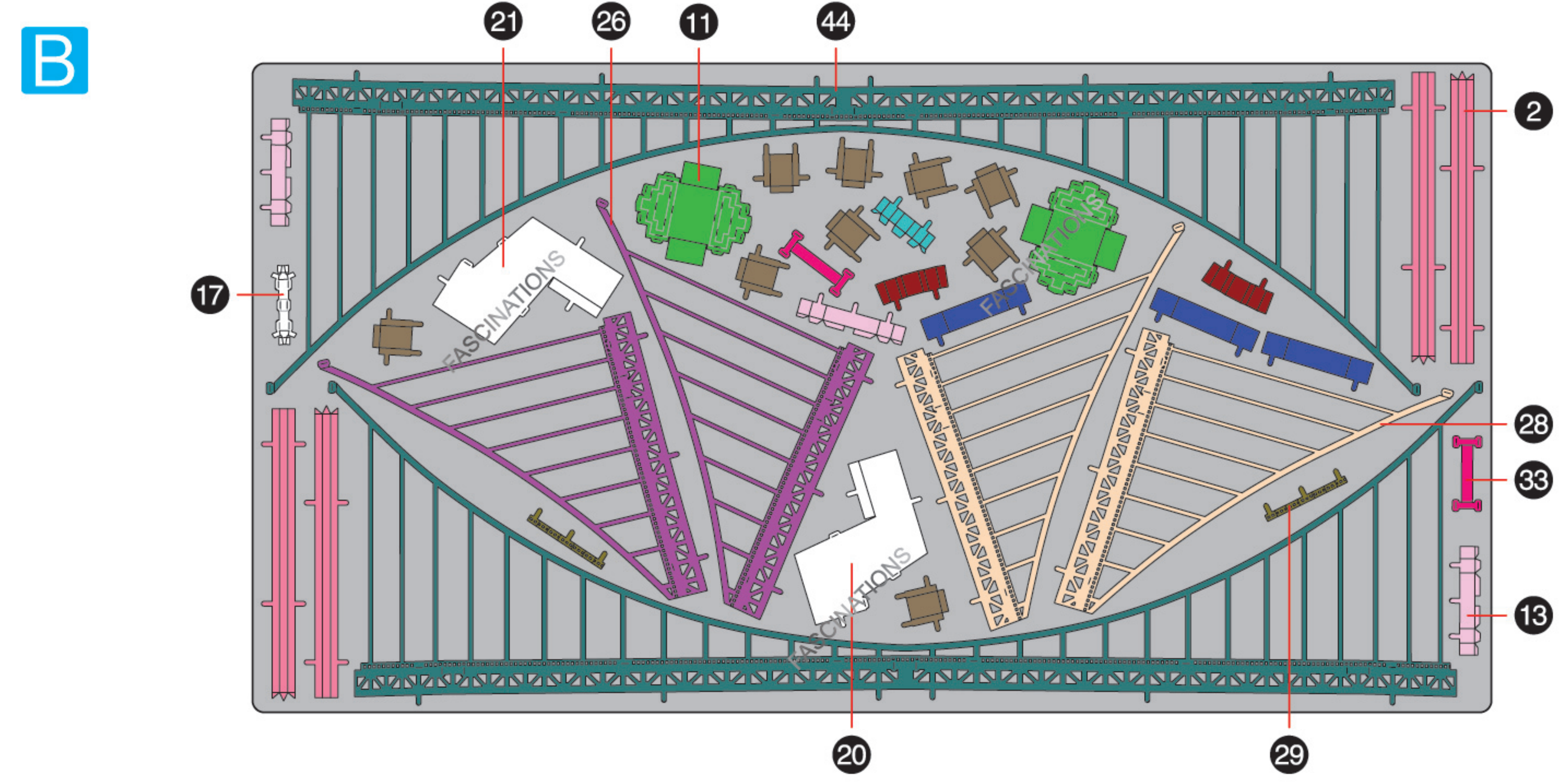
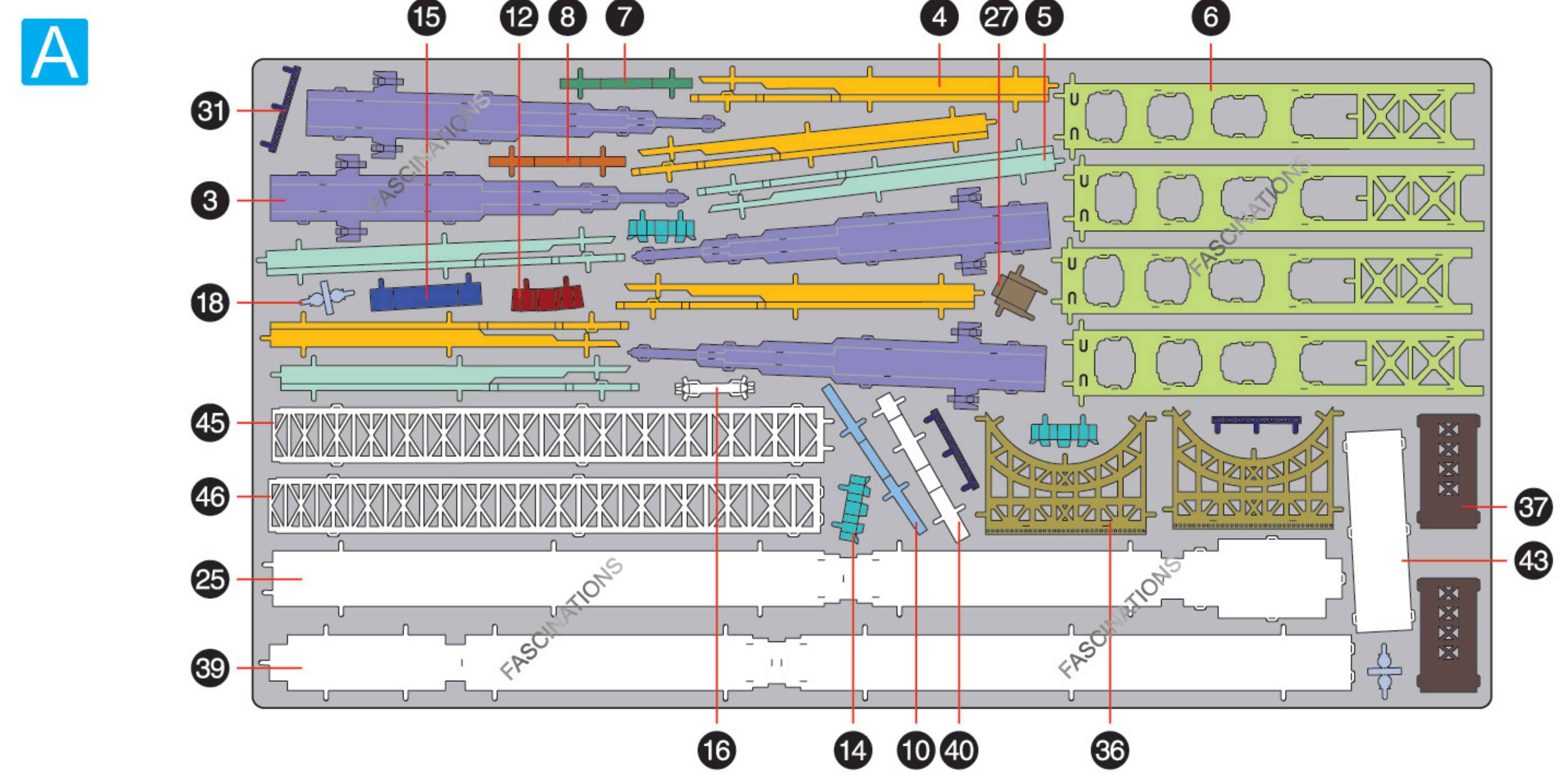


**METAL SHEETS**

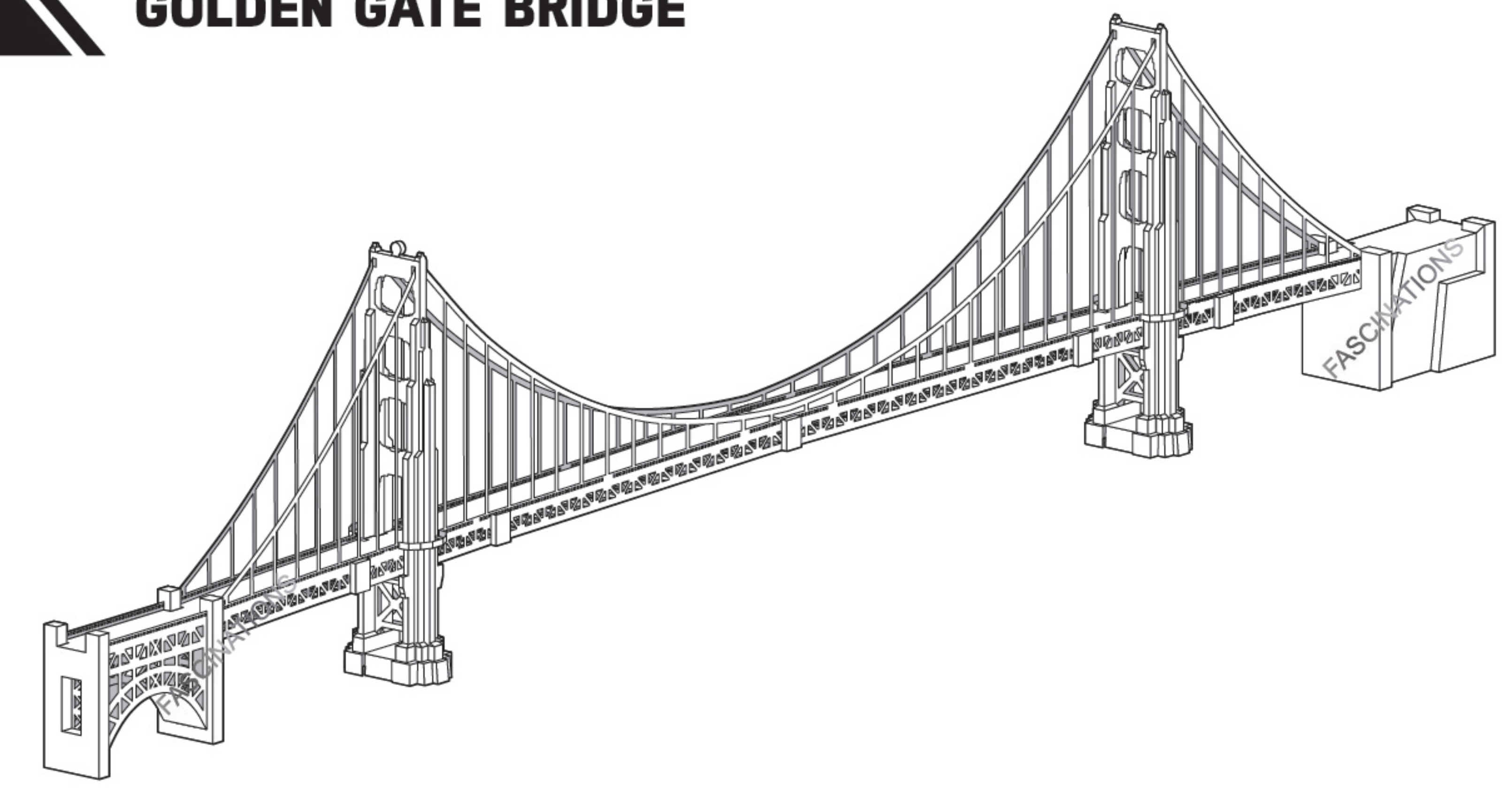
Parts with same color are duplicates



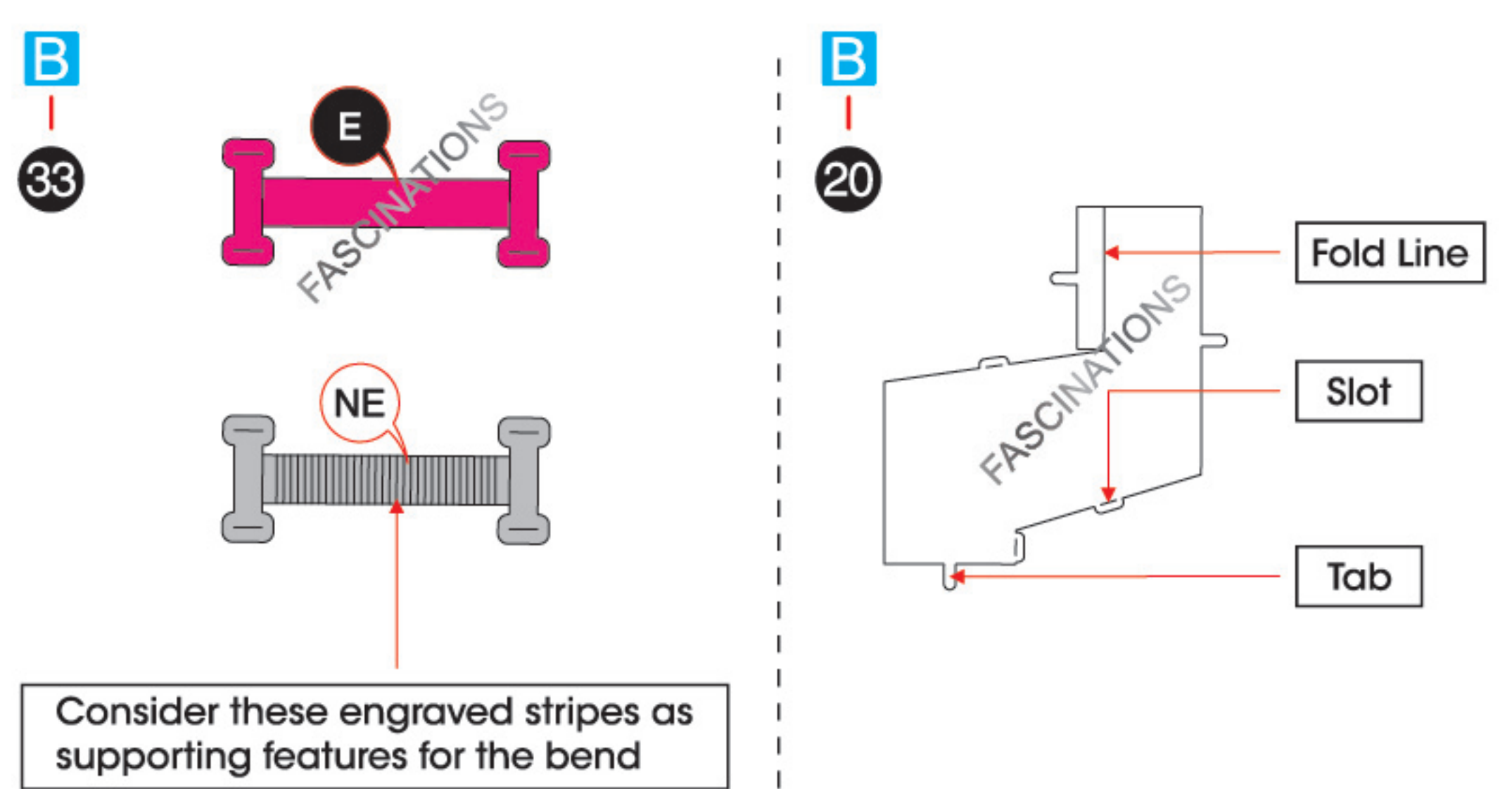
It is highly recommended that you visit [www.metalearth.com/360/PS2013](http://www.metalearth.com/360/PS2013) to see the completed model before assembling your own

**Premium Series**

**PS2013 GOLDEN GATE BRIDGE**



**TO CREATE THE BEST CONNECTIONS**



**!** In order to avoid possible injury from sharp edges, please carefully discard the metal sheets after parts have been removed.

**Legends:**

- E** Engraved / Color side
- NE** Non - engraved / Silver side
- !** Attention point
- Insert tab and bend 90 degrees
- ▲** Insert tab and twist 90 degrees

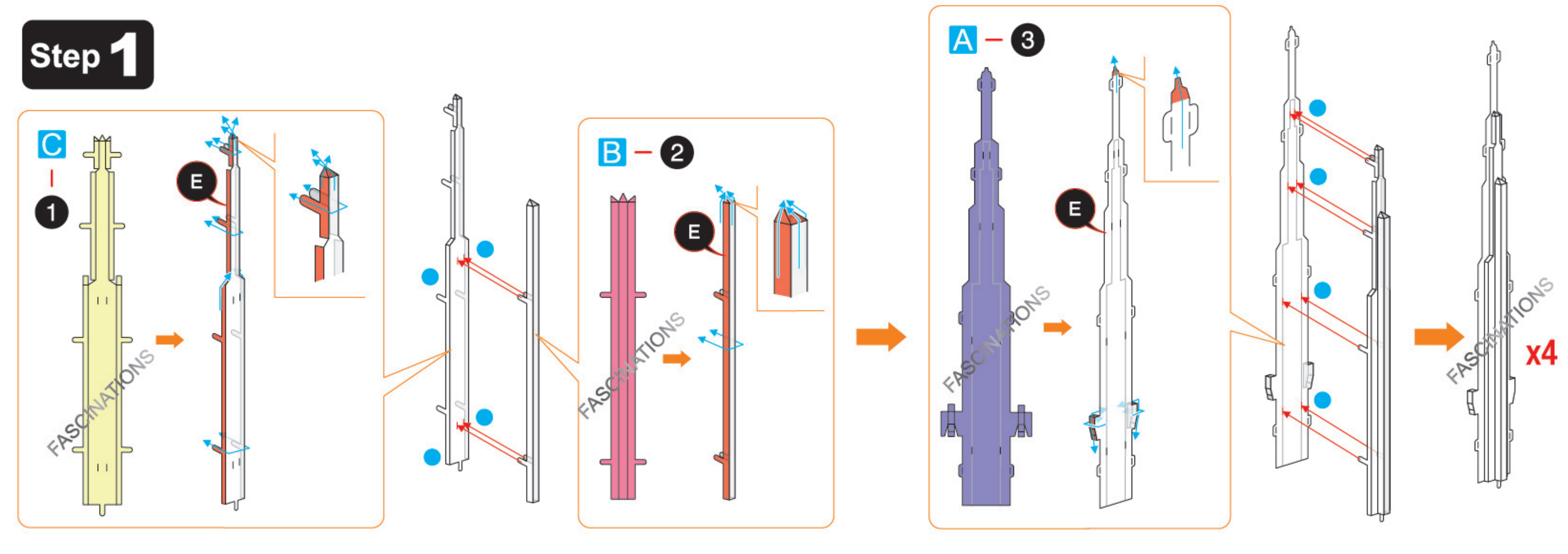
**Assembly tip:**  
If needed, slightly twist tabs to hold parts together then untwist and bend them down for a nice finish.

- Yellow** areas should be curled
- Red** areas should be folded

**Recommended tools:**

- Wire cutters: helpful for taking parts from the metal sheets.
- Tweezers or needle nose pliers: helpful for folding parts, bending and twisting tabs.

**ASSEMBLY FLOW CHART**



**Step 2**

A - 6

A - 4

AC - 5

x4

**Step 3**

AC - 7

AC - 8

C - 9

AC - 10

x2

**Step 4**

B - 11

ABC - 12

BC - 13

AB - 14

AB - 15

x2

x2

x2

x2

x2

x2

x2

x2

x2

**Step 5**

A - 16

Step 4

**Step 6**

A - 18

B - 17

Step 4

**Step 7**

C - 22

C - 23

C - 24

B - 20

B - 21

C - 19

Connect the tabs illustrated in red first

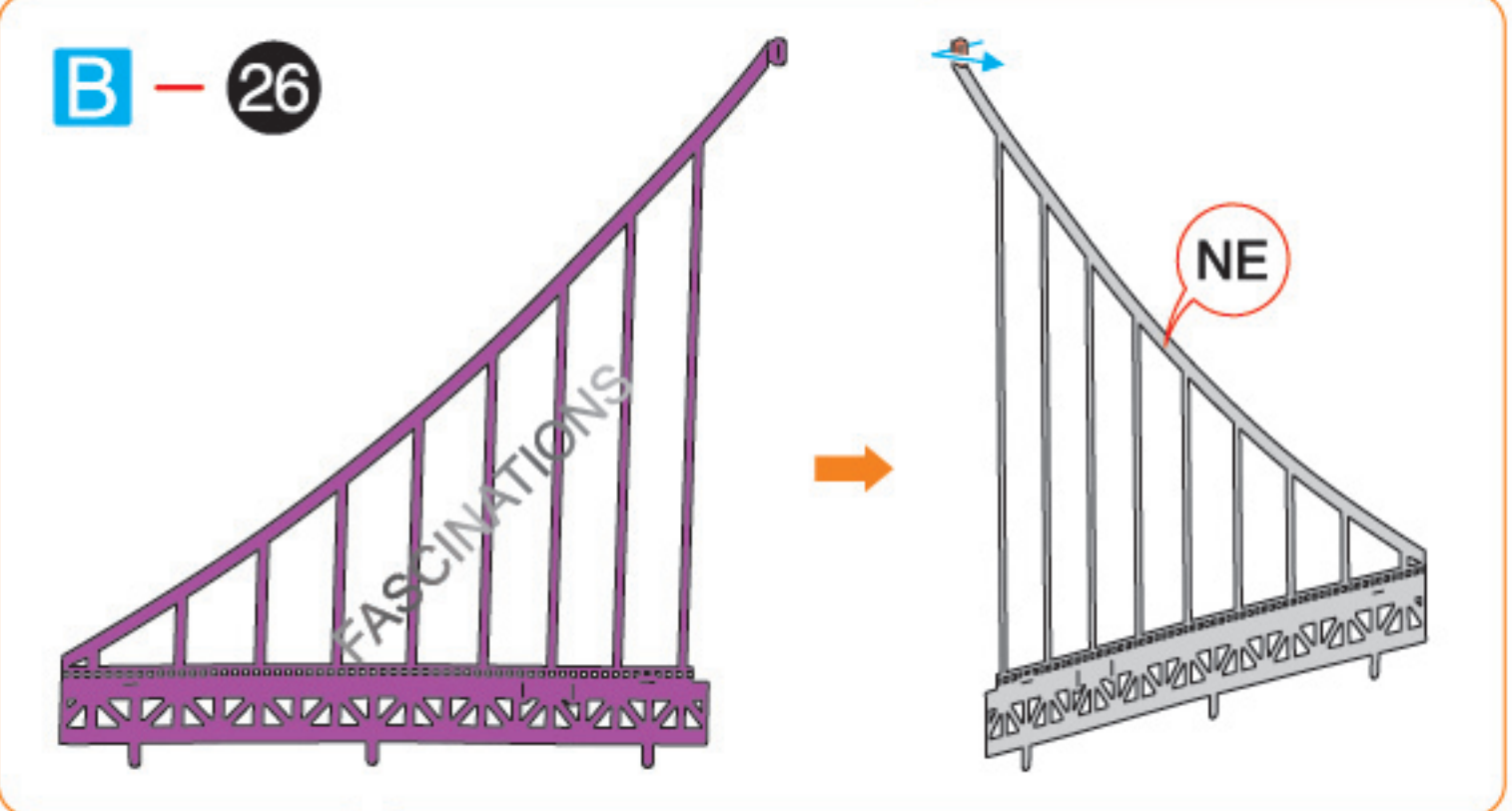
**Step 5**

A - 25

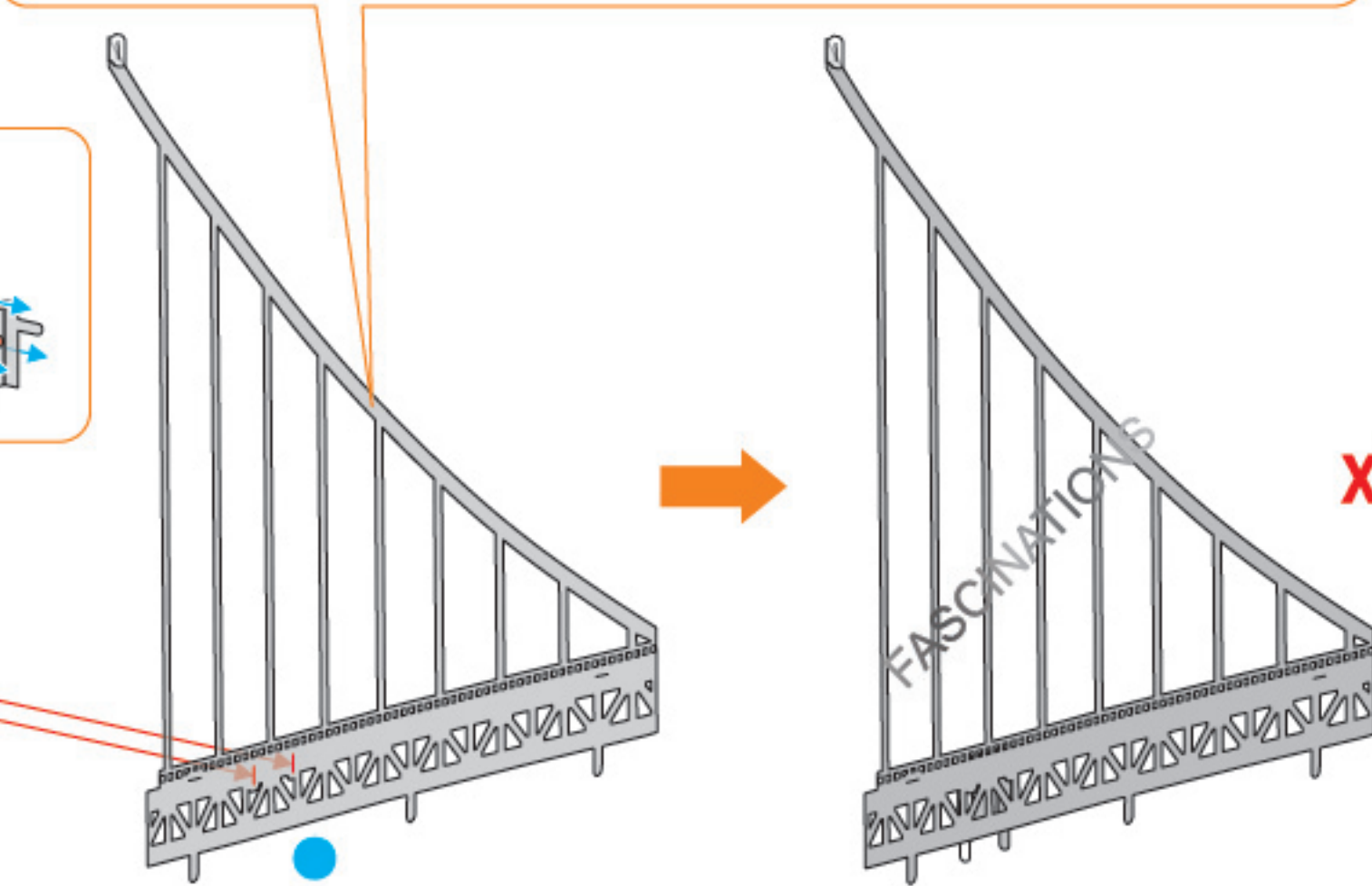
Step 5

Connect the tabs illustrated in red first

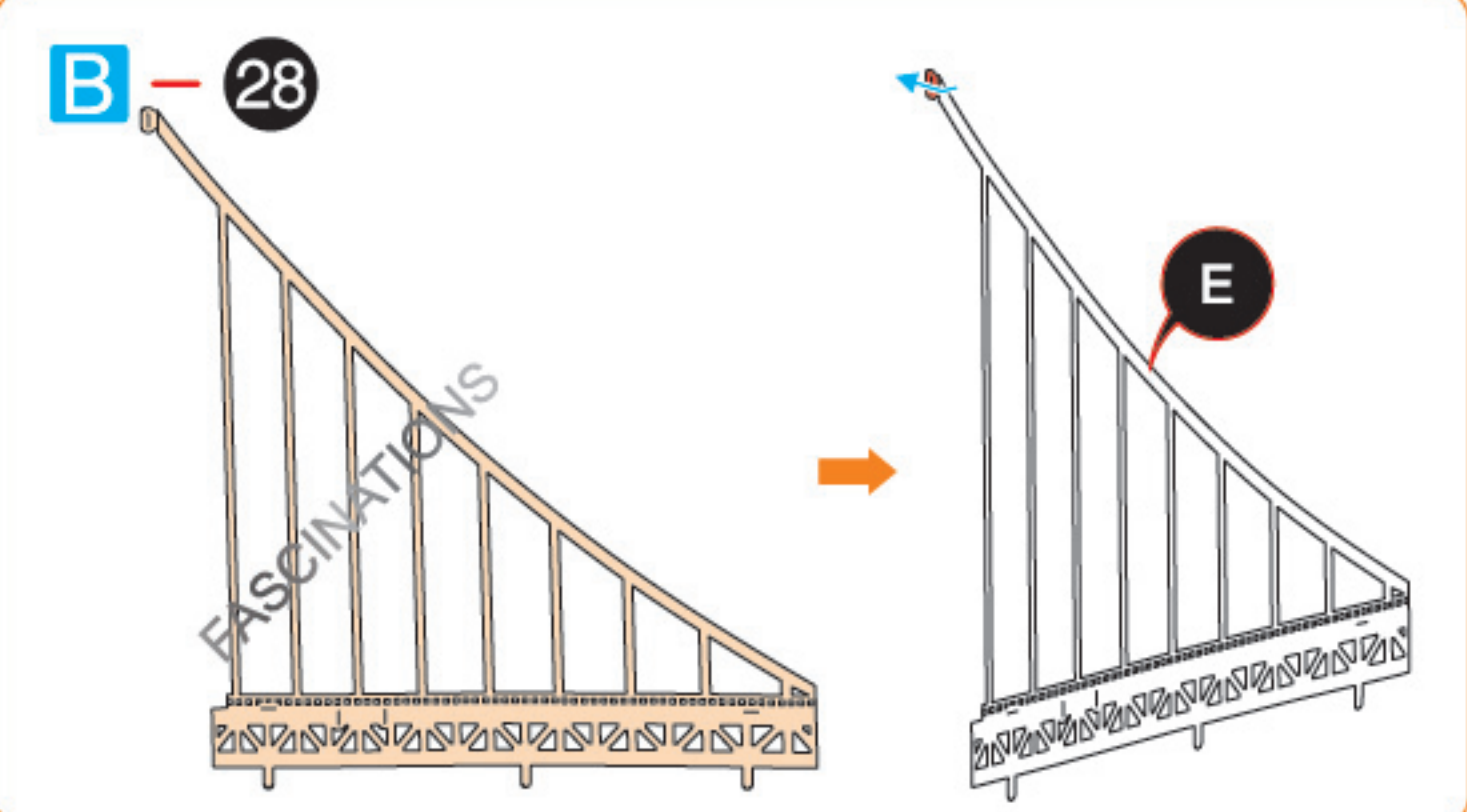
Step 8



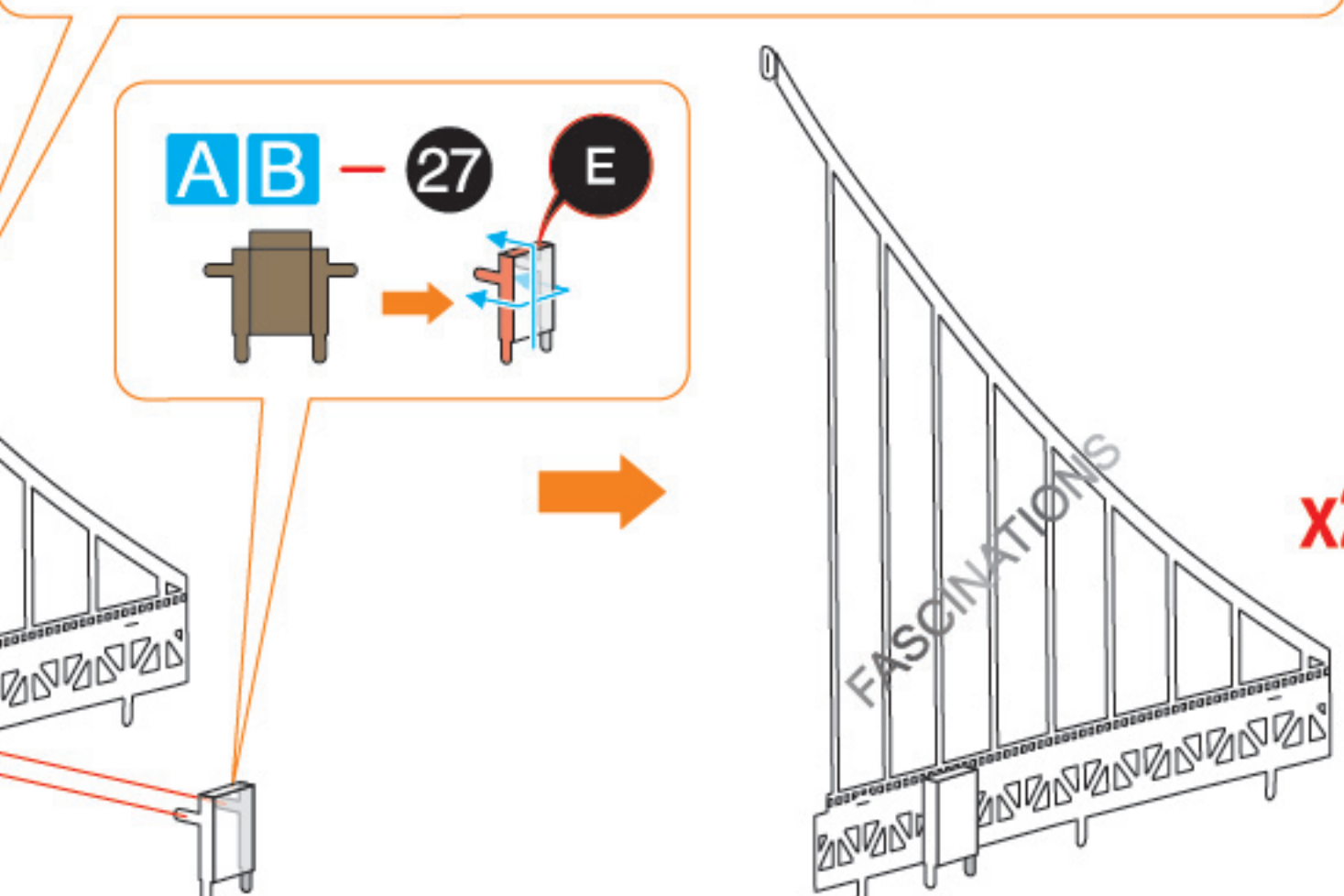
AB-27



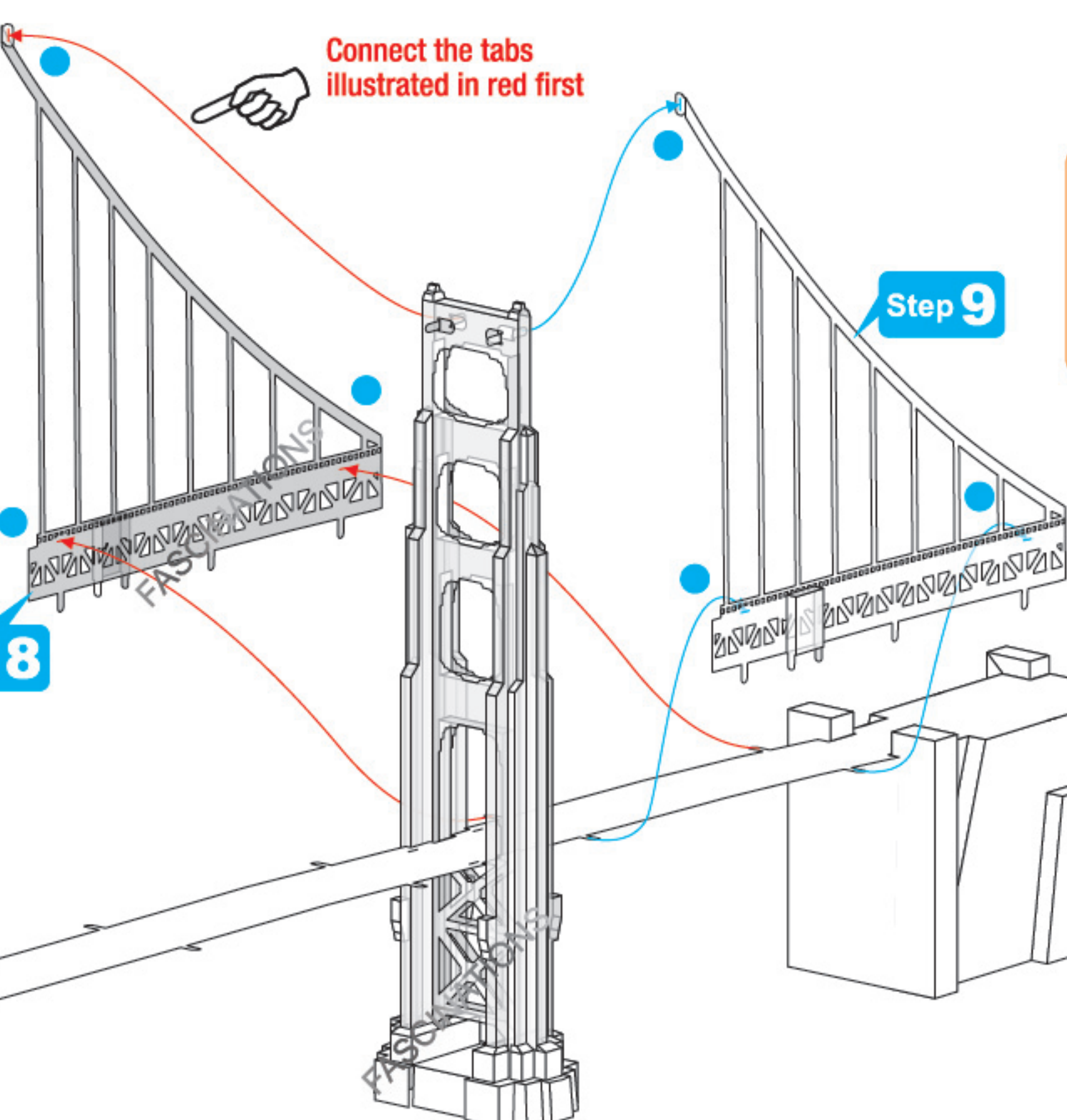
Step 9



AB-27

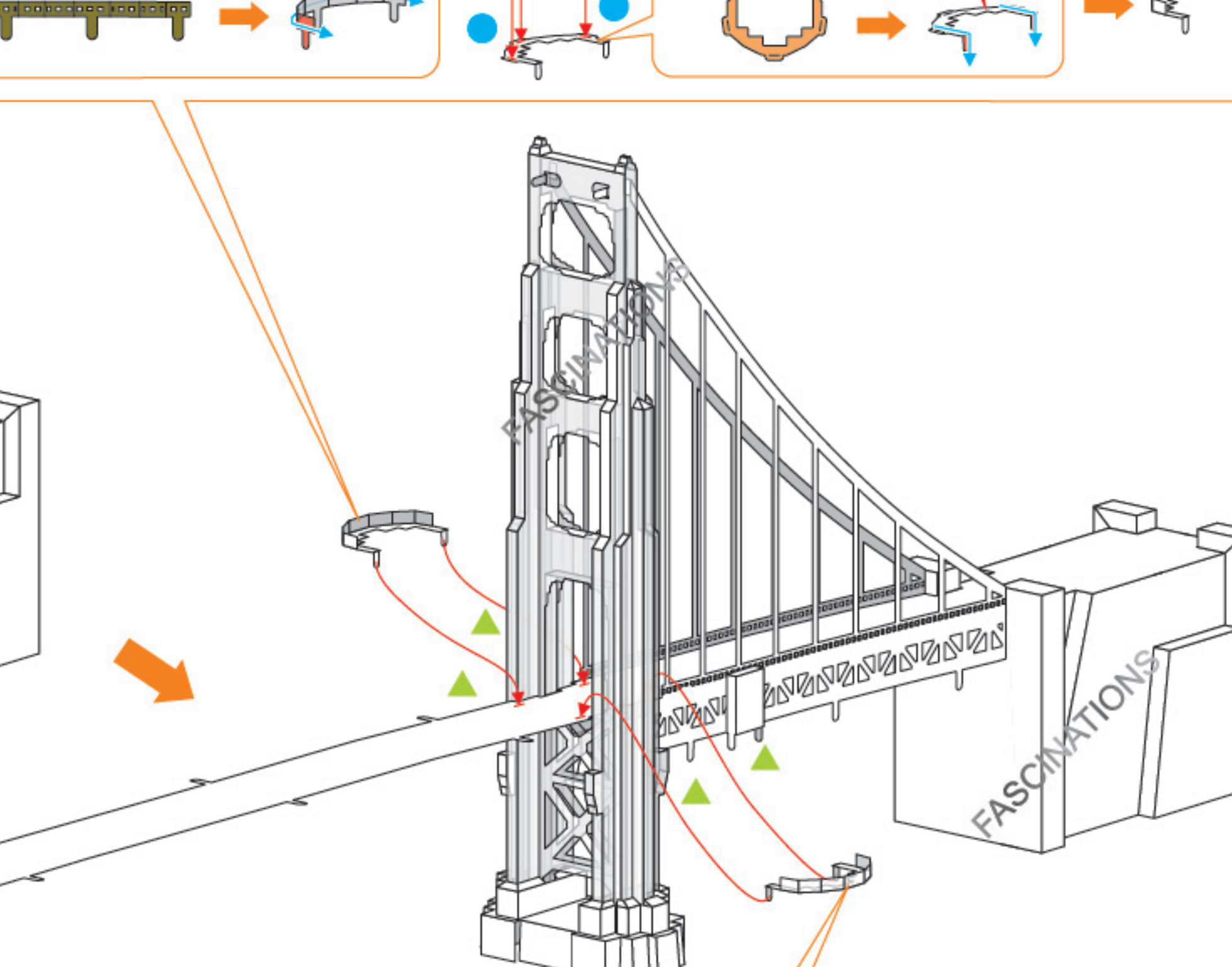


Step 10



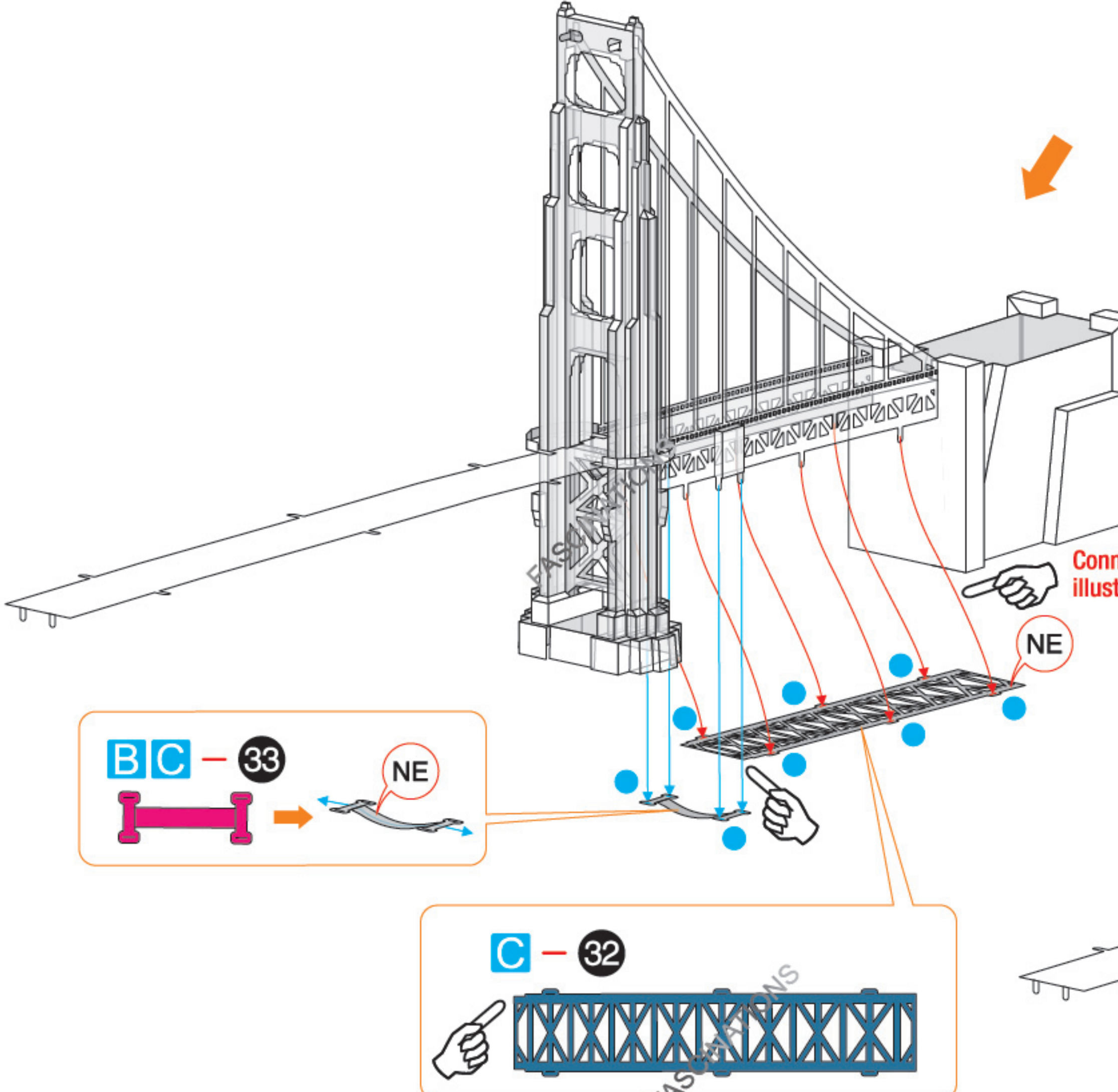
BC-29

C-30



A-31

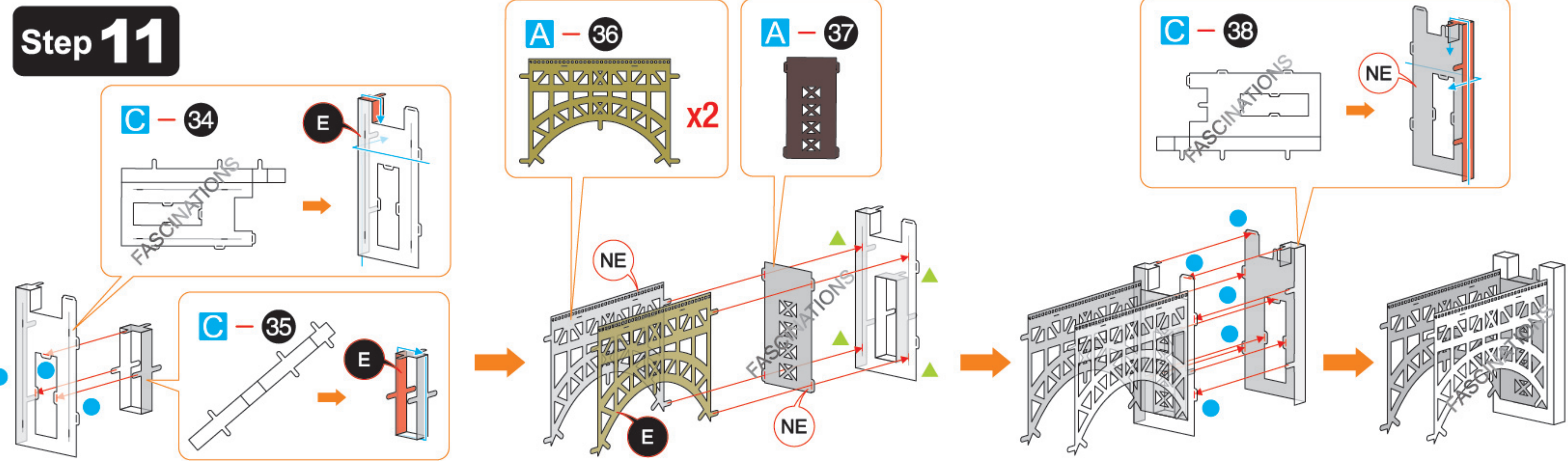
C-30



BC-33

C-32

Step 11

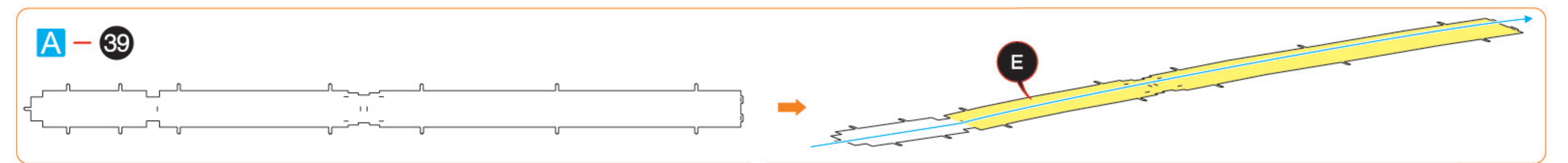


A-36

A-37

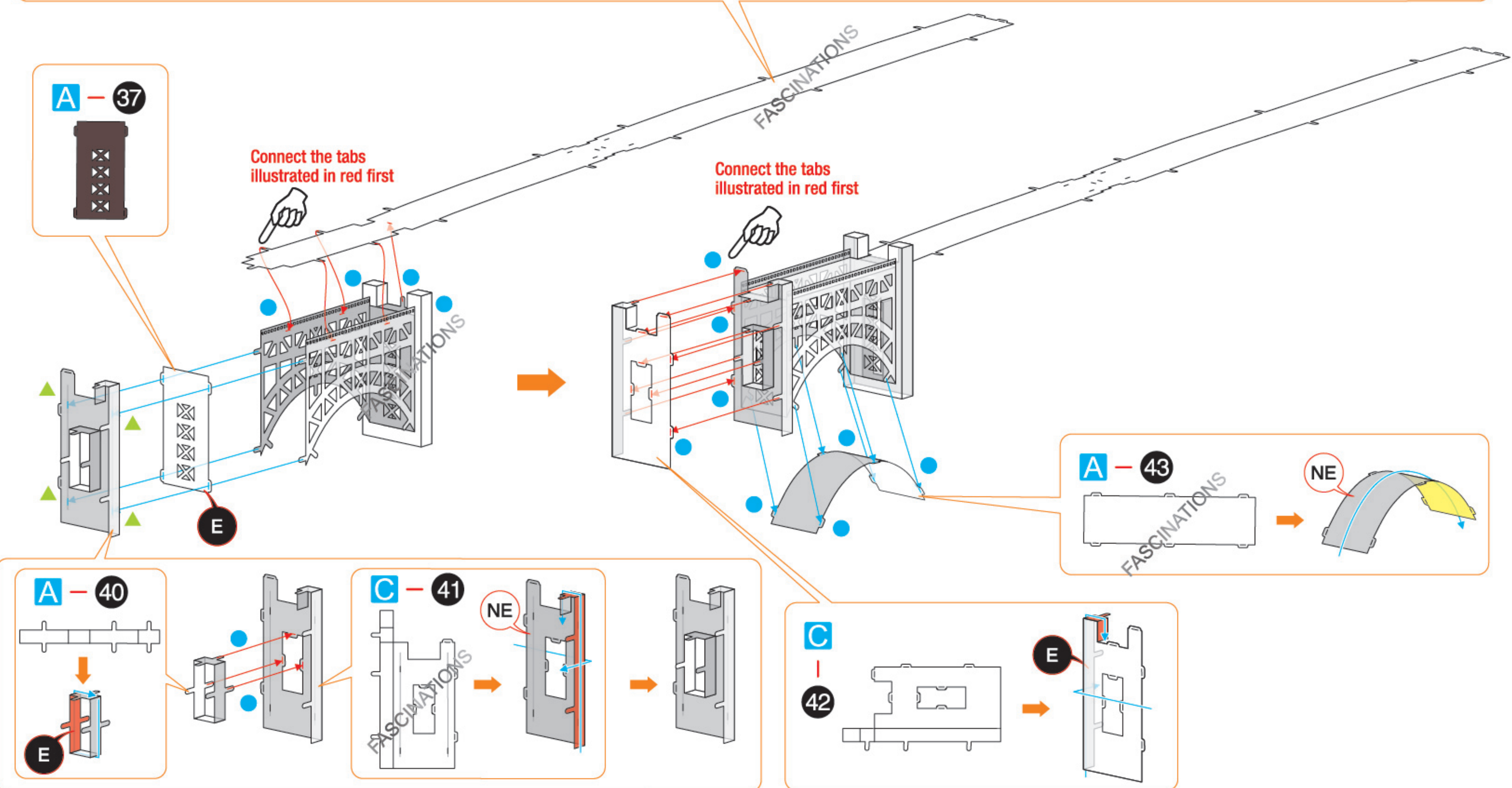
C-34

NE



A-39

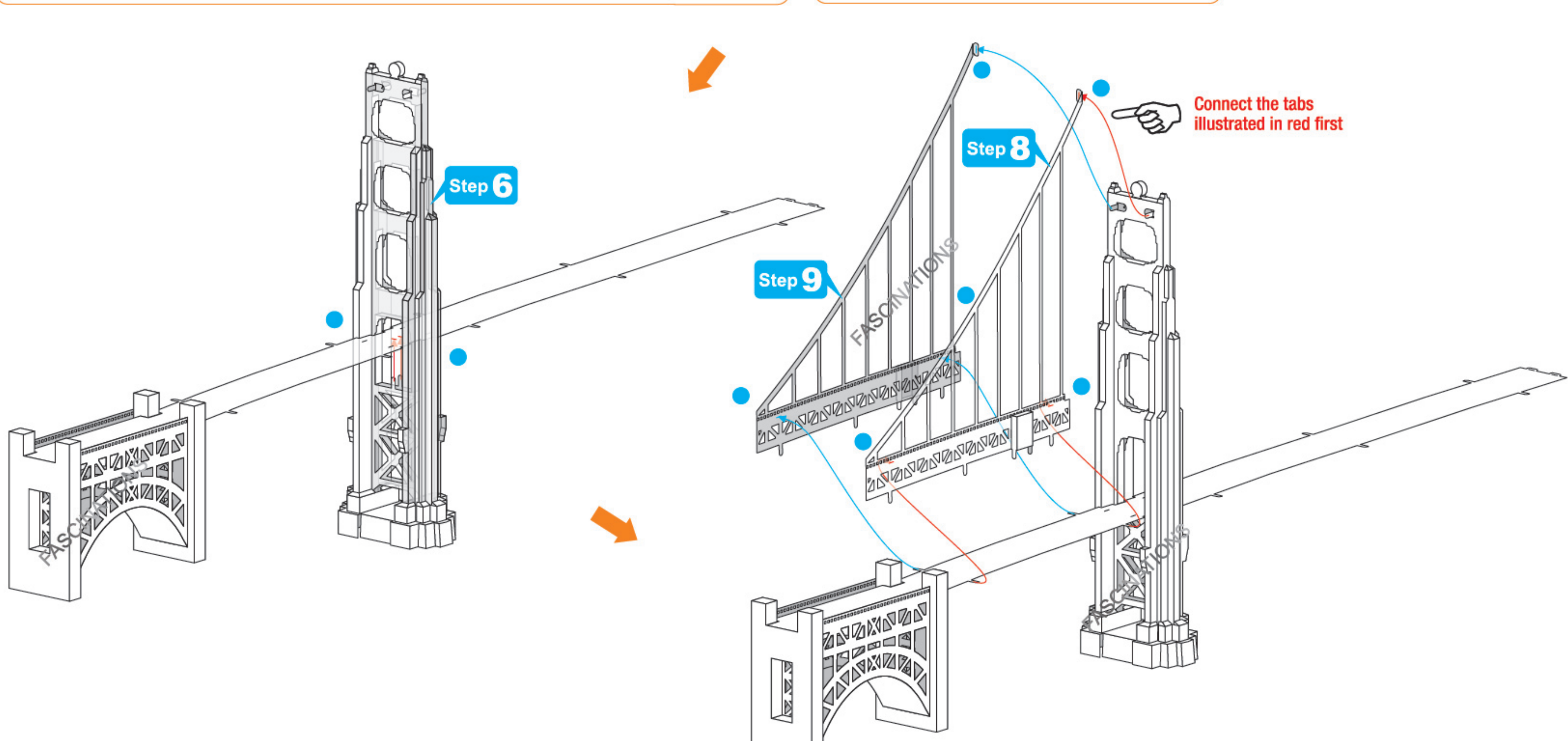
E



A-37

A-43

NE



A-40

C-41

NE

C-42

E

