

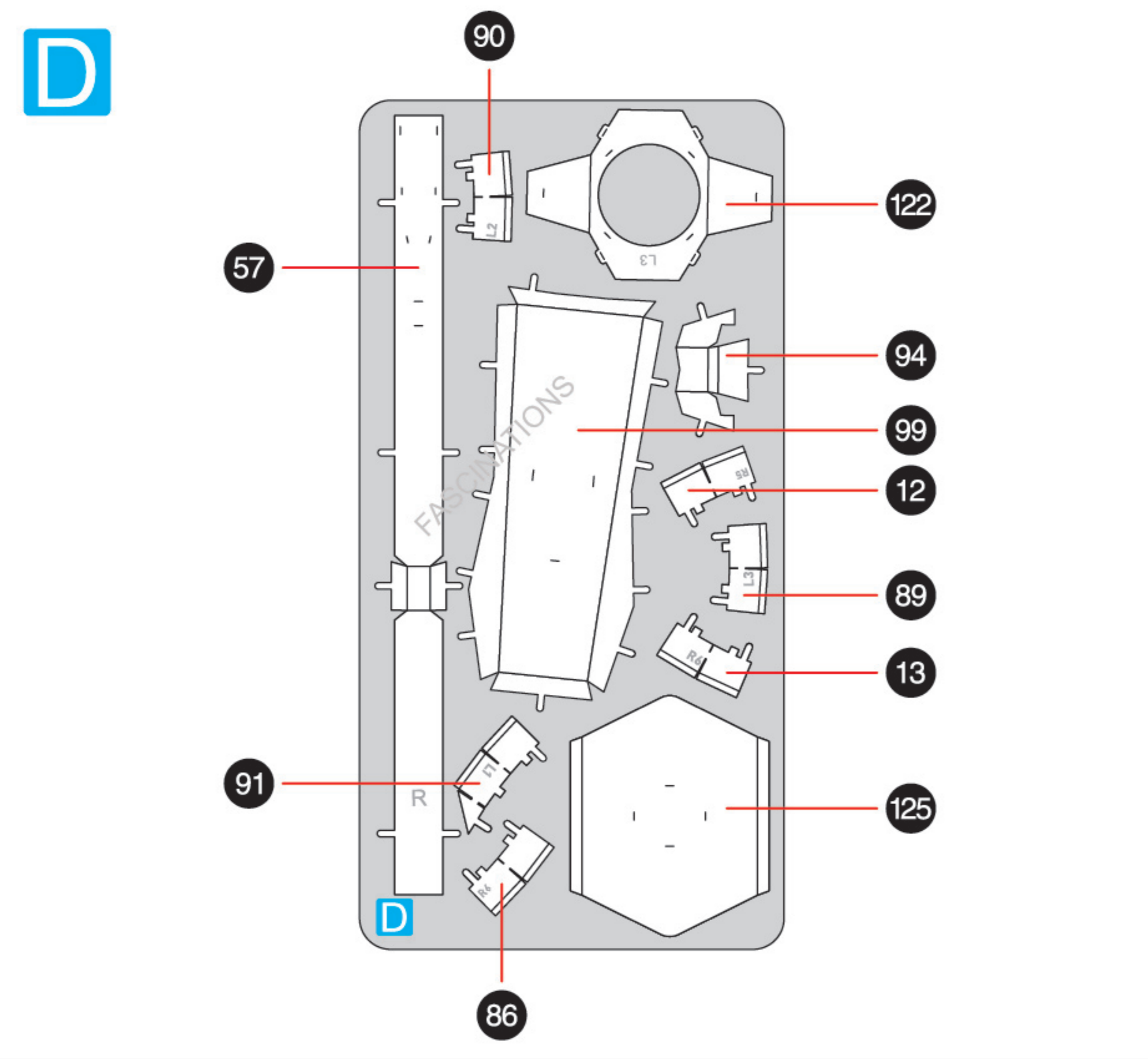
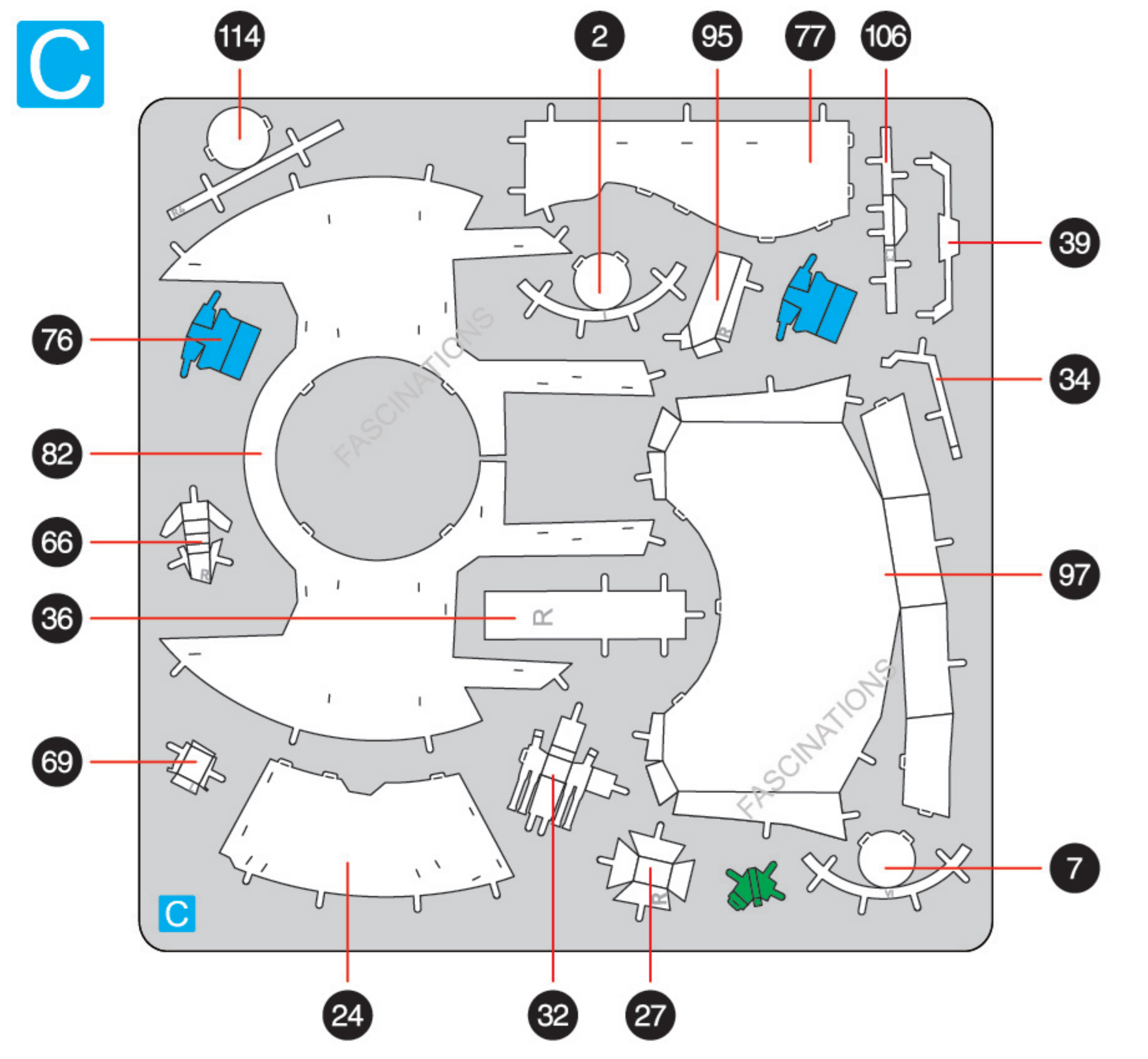
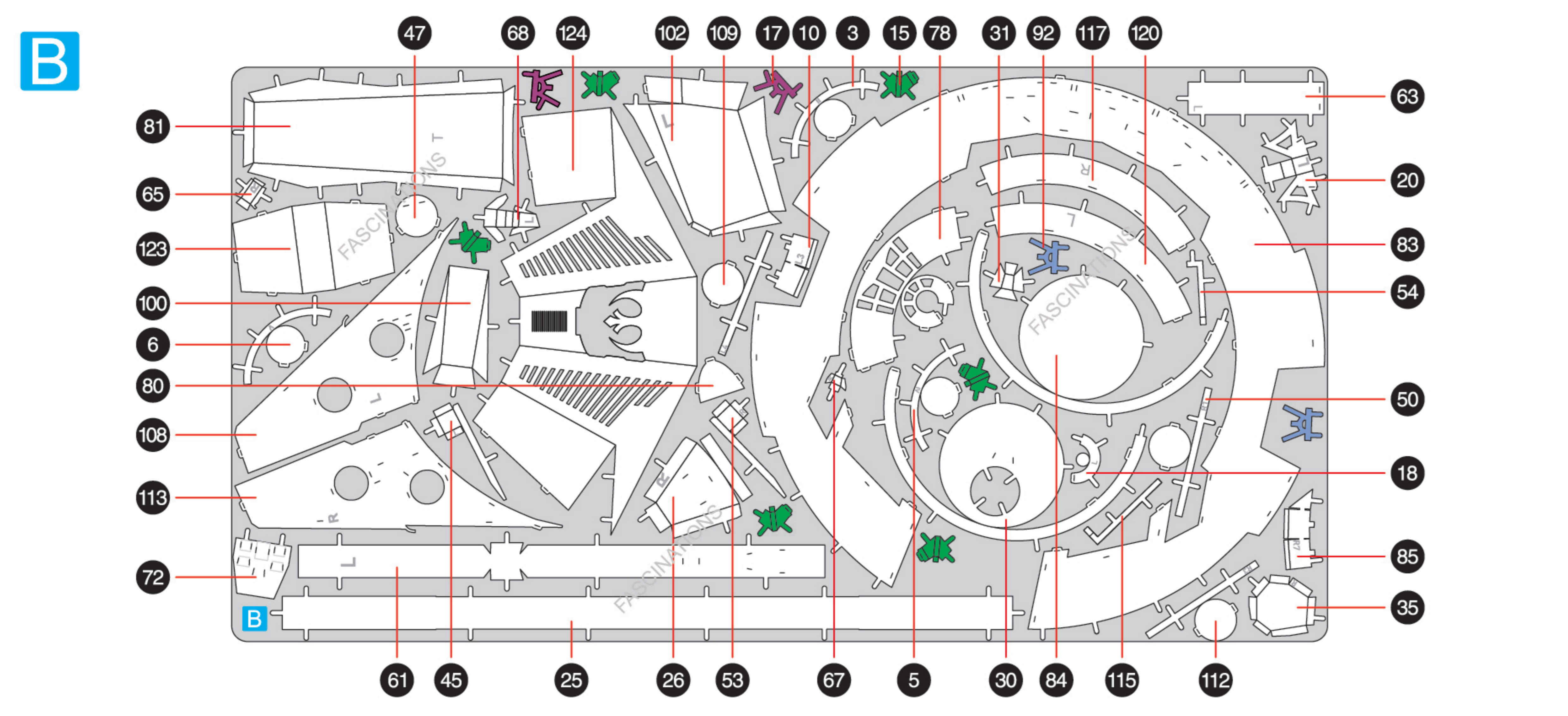
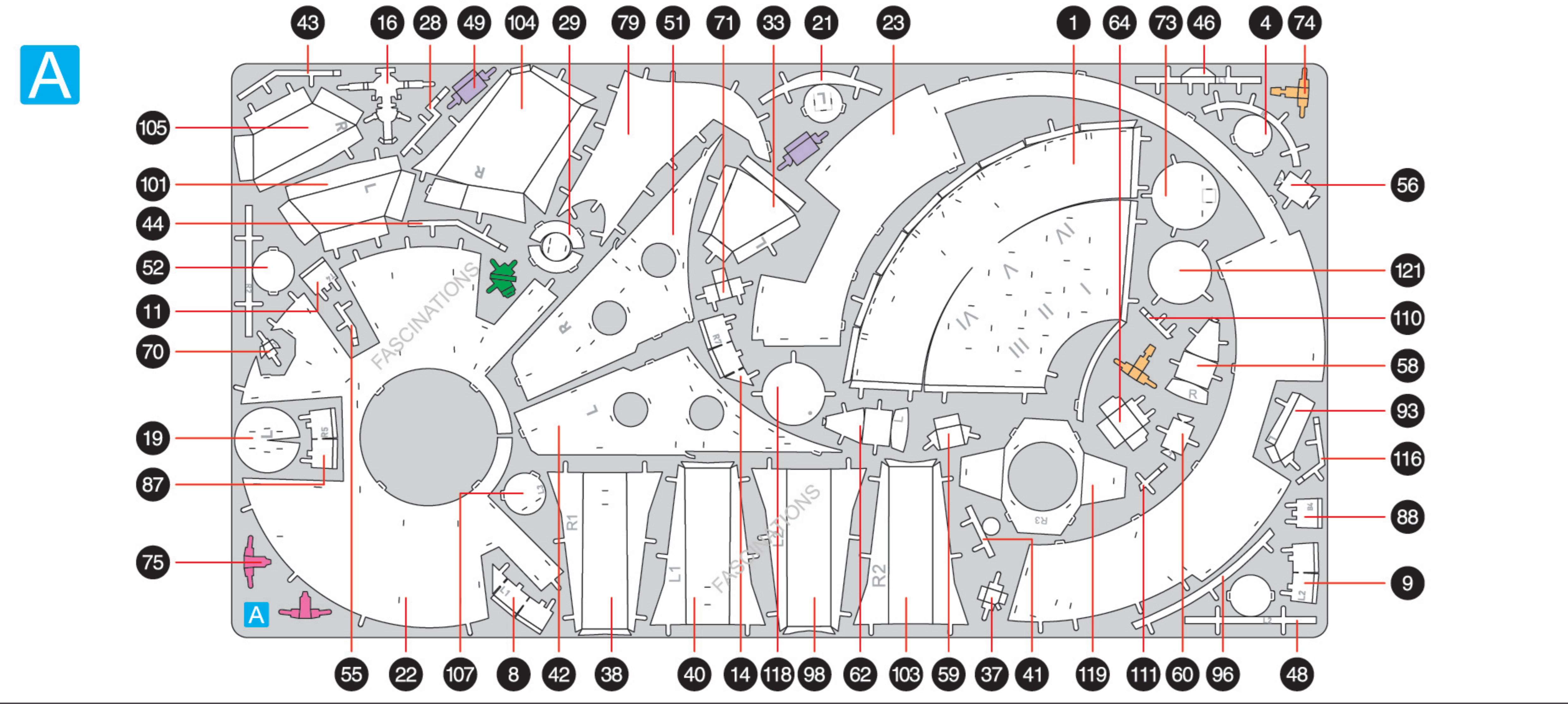


It is highly recommended that you visit www.metalearth.com/360/ICX235 to see the completed model before assembling your own

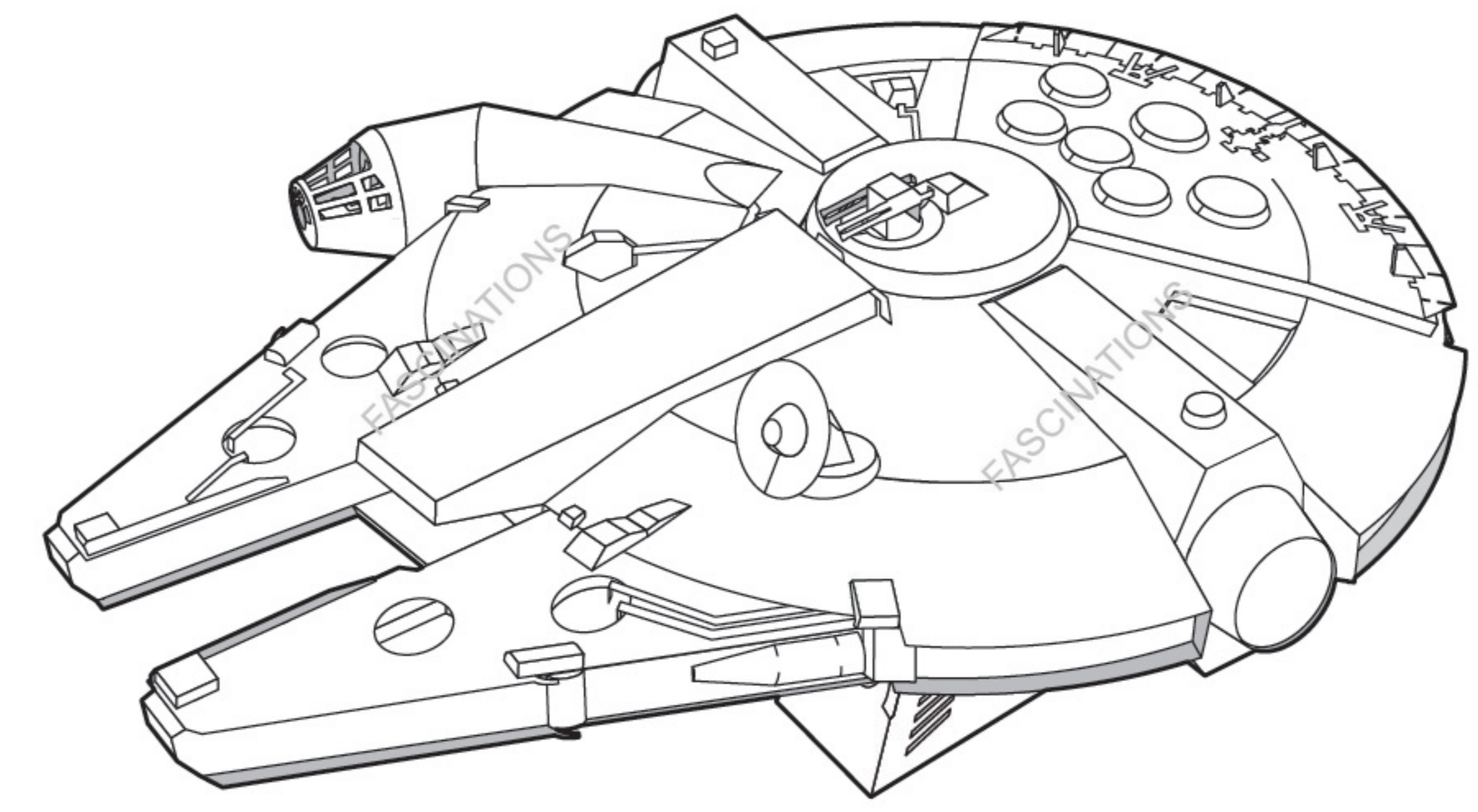
Premium Series

METAL SHEETS

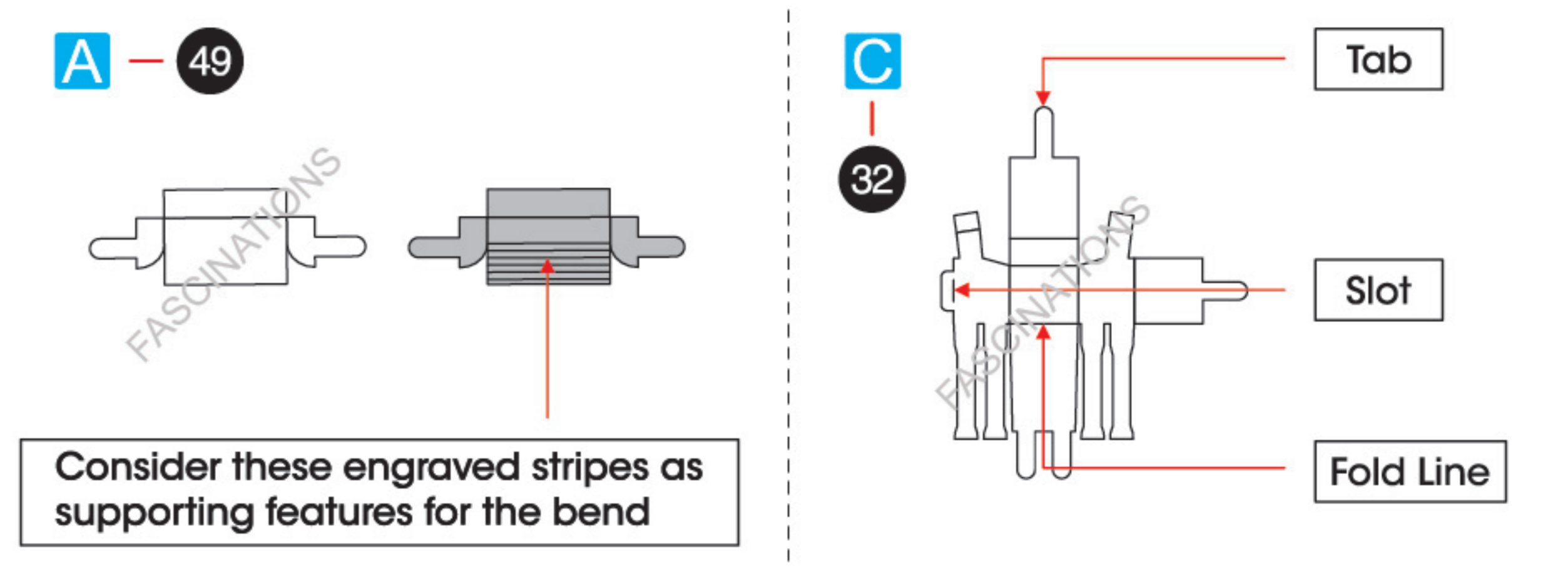
Parts with same color are duplicates



ICX235 MILLENNIUM FALCON™



TO CREATE THE BEST CONNECTIONS



Legends:

- E** Engraved/ Color side
- NE** Non - engraved/ Silver side
- Attention point
- Insert tab and bend 90 degrees
- Insert tab and twist 90 degrees

Recommended tools:

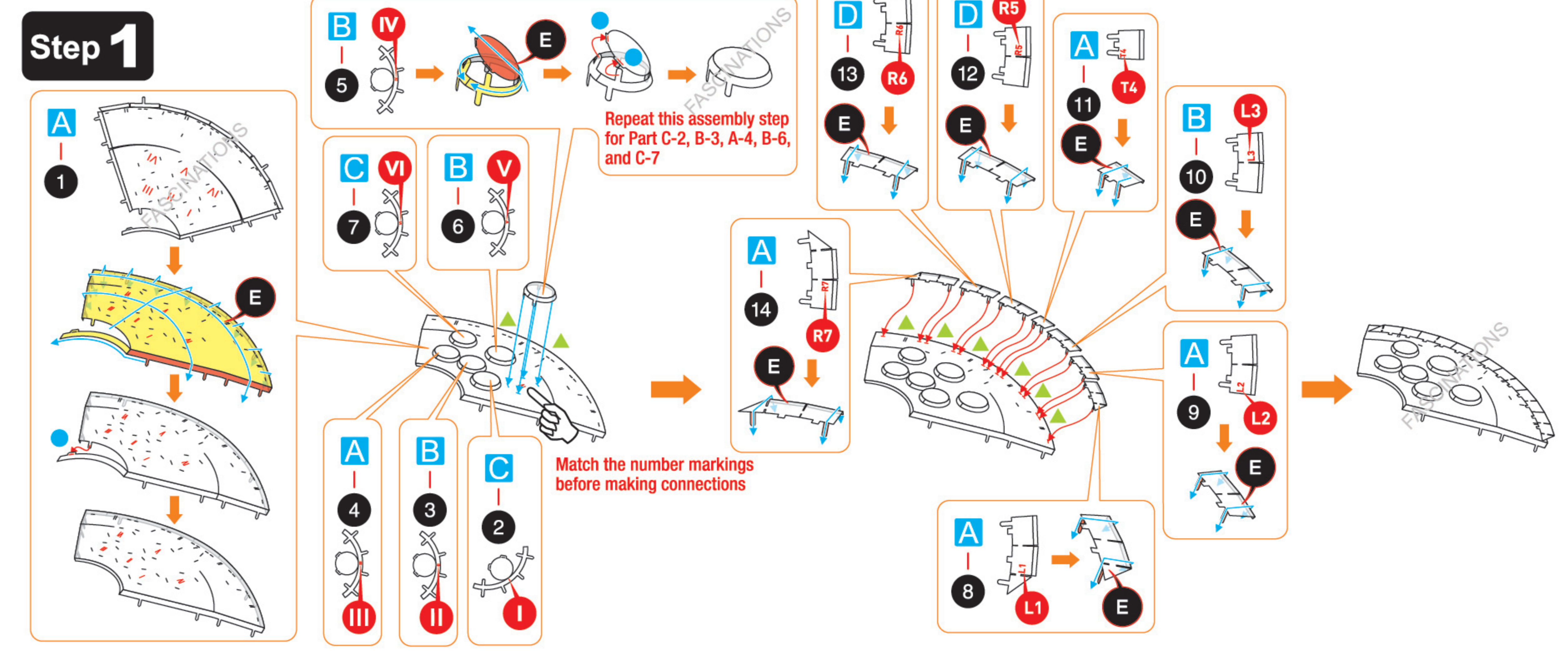
- Wire cutters: helpful for taking parts from the metal sheets.
-
- Tweezers or needle nose pliers: helpful for folding parts, bending and twisting tabs.
-

Assembly tip:

If needed, slightly twist tabs to hold parts together then untwist and bend them down for a nice finish.

- Yellow areas should be curled
- Red areas should be folded

ASSEMBLY STEPS



In order to avoid possible injury from sharp edges, please carefully discard the metal sheets after parts have been removed.

Step 2

ABC-15 → E x4

A-16 → E

B-17 → E x2

Step 1

Step 3

A-19 → E

B-20 → E

A-21 → E

B-18 → E

Step 4

A-22 → E

A-23 → E

C-24 → E

Step 3

B-25 → NE

Step 2

B-26 → E

C-27 → E

A-28 → E

Step 5

B-30 → E

A-29 → E

B-31 → E

C-32 → E

Connect the tabs illustrated in red first

Step 6

Step 5

C-34 → E

A-33 → E

B-35 → E

C-36 → NE

A-37 → E

A-38 → E

C-39 → E

A-41 → E

A-40 → E

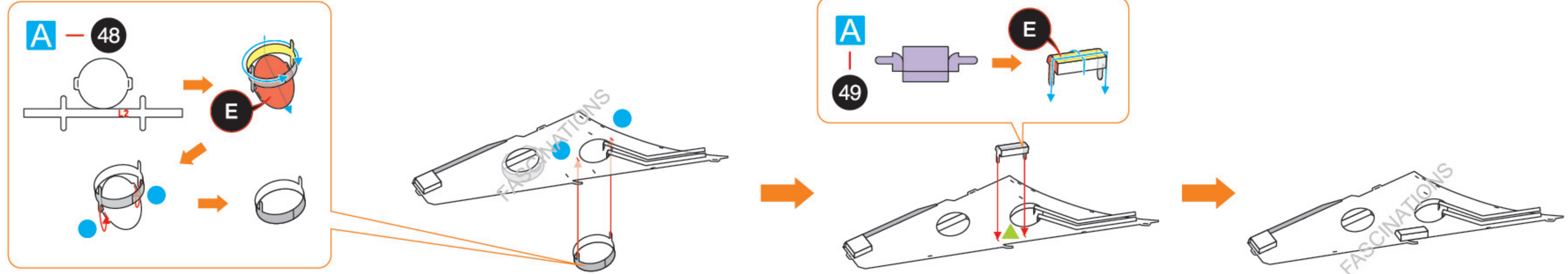
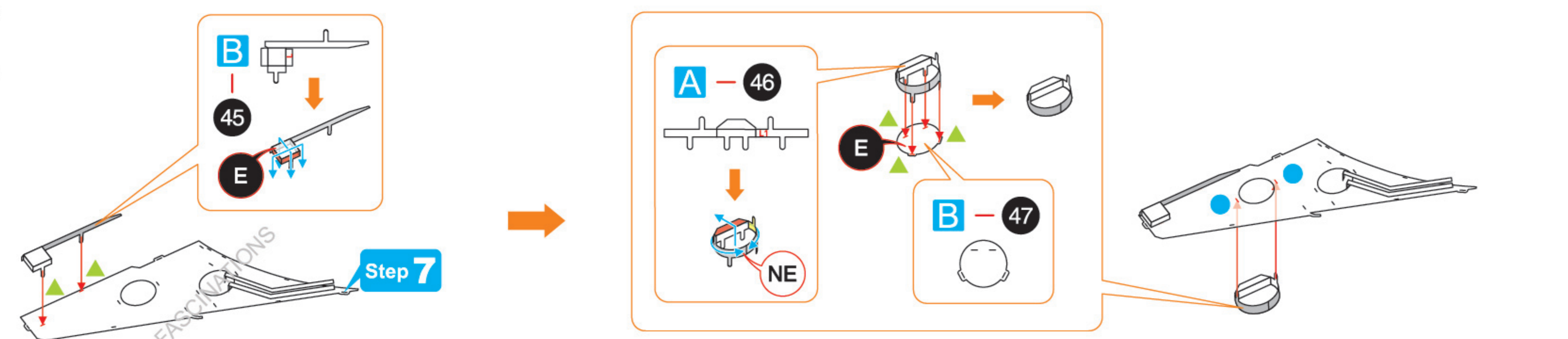
Step 7

A-43 → E

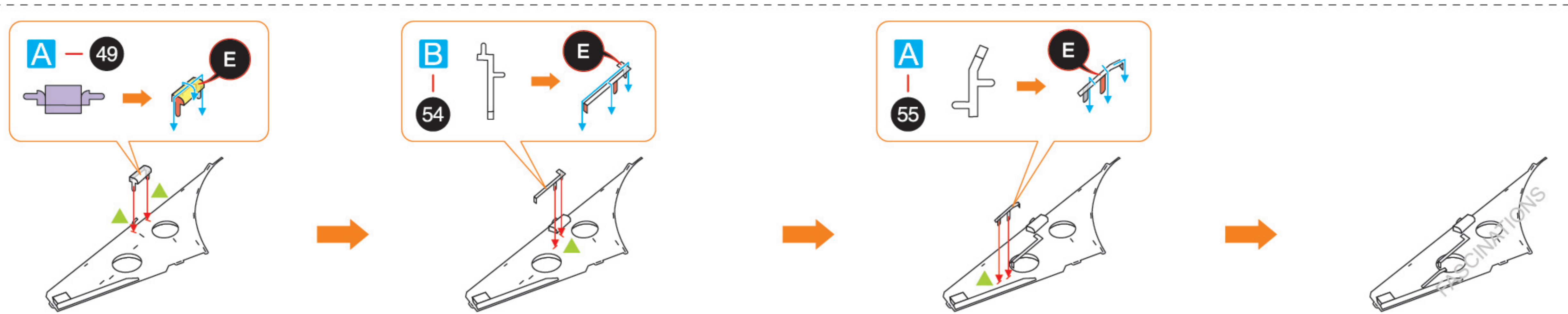
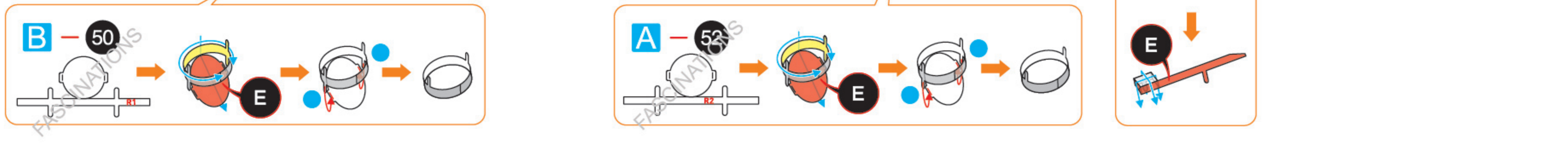
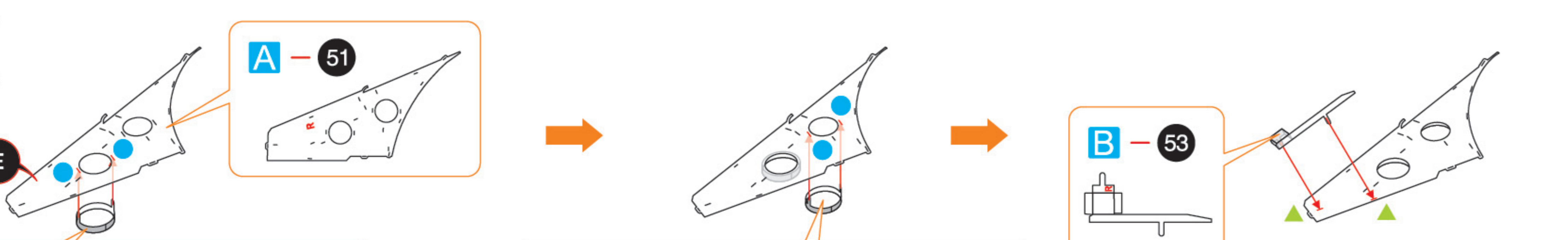
A-44 → E

A-42 → E

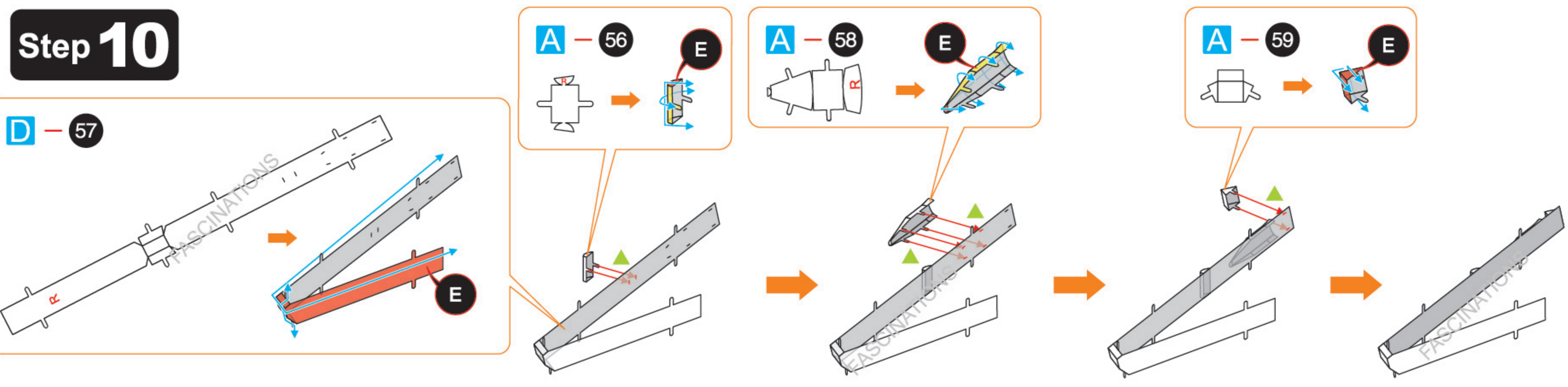
Step 8



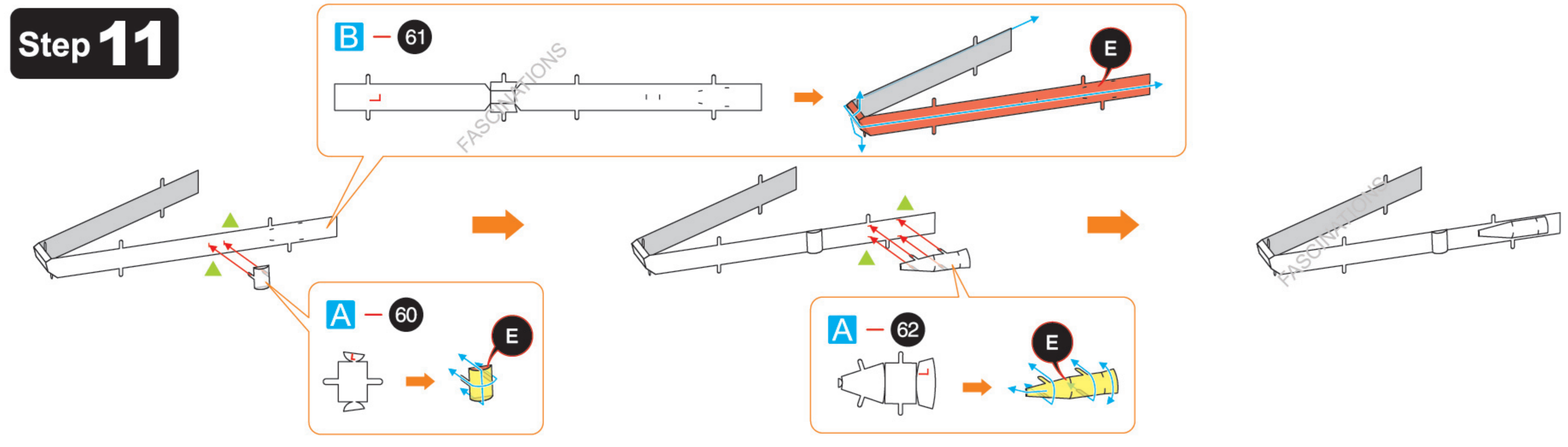
Step 9



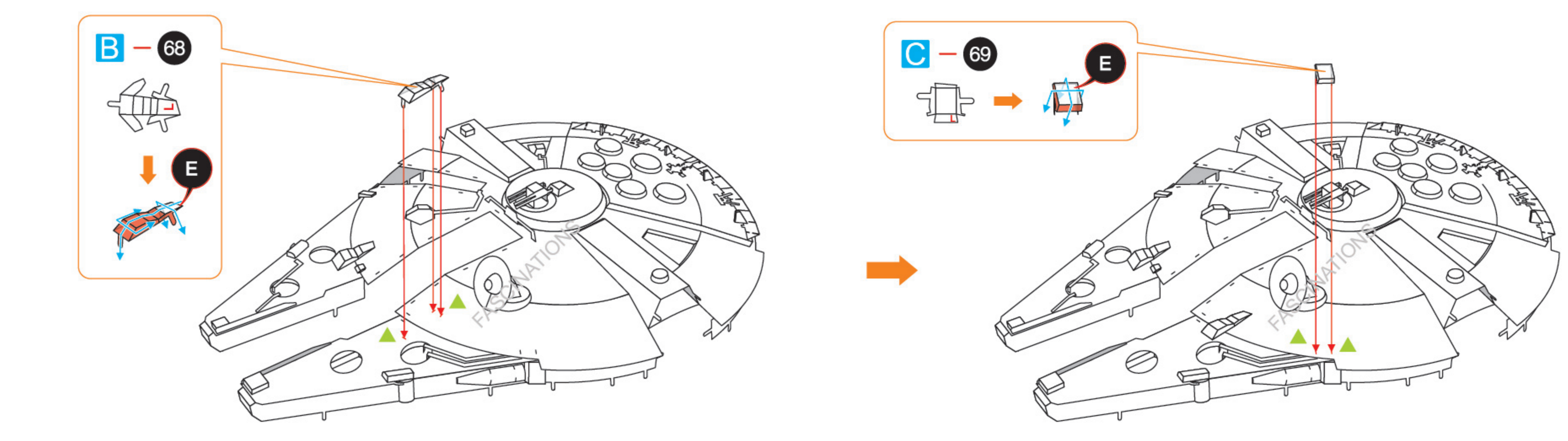
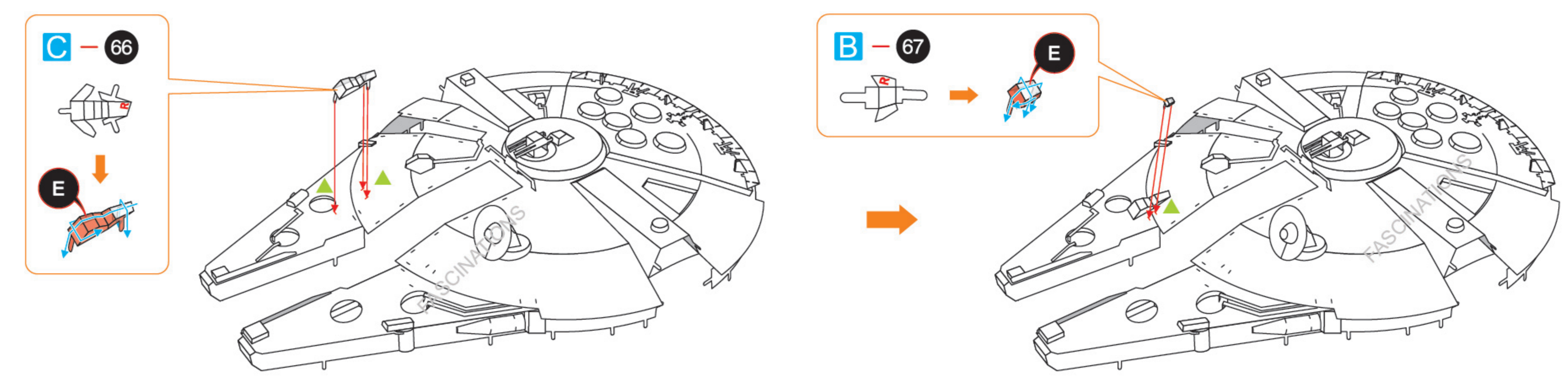
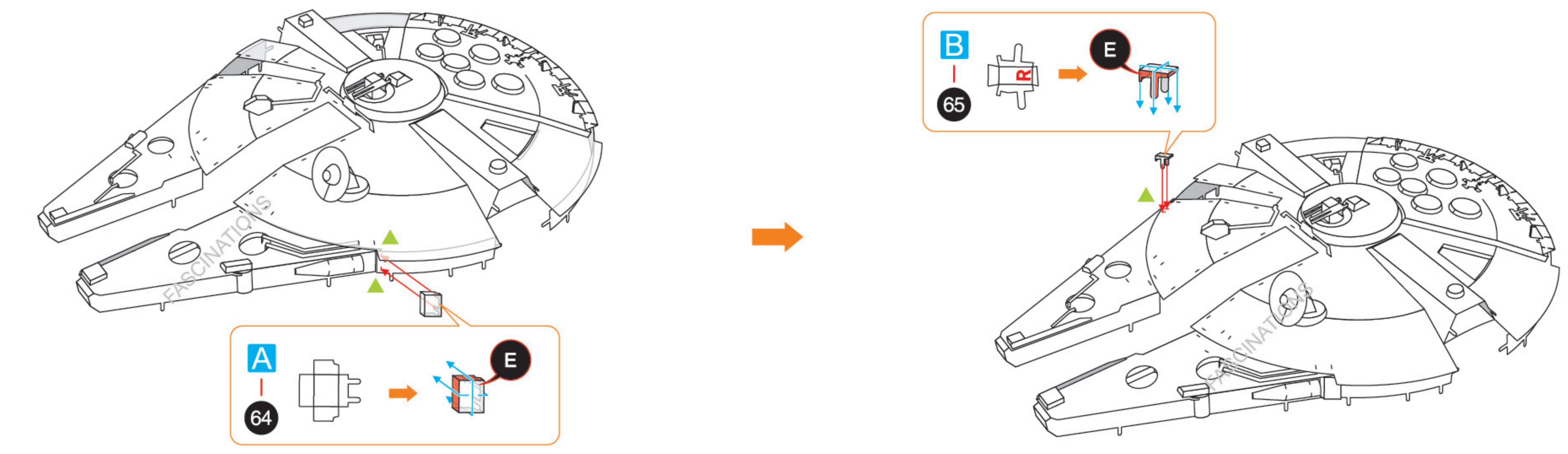
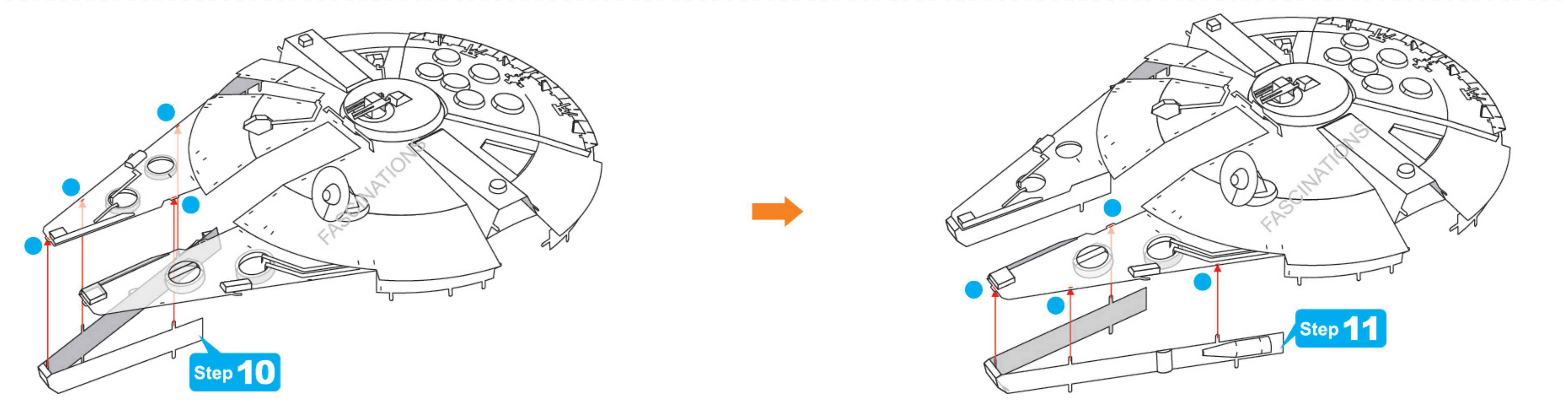
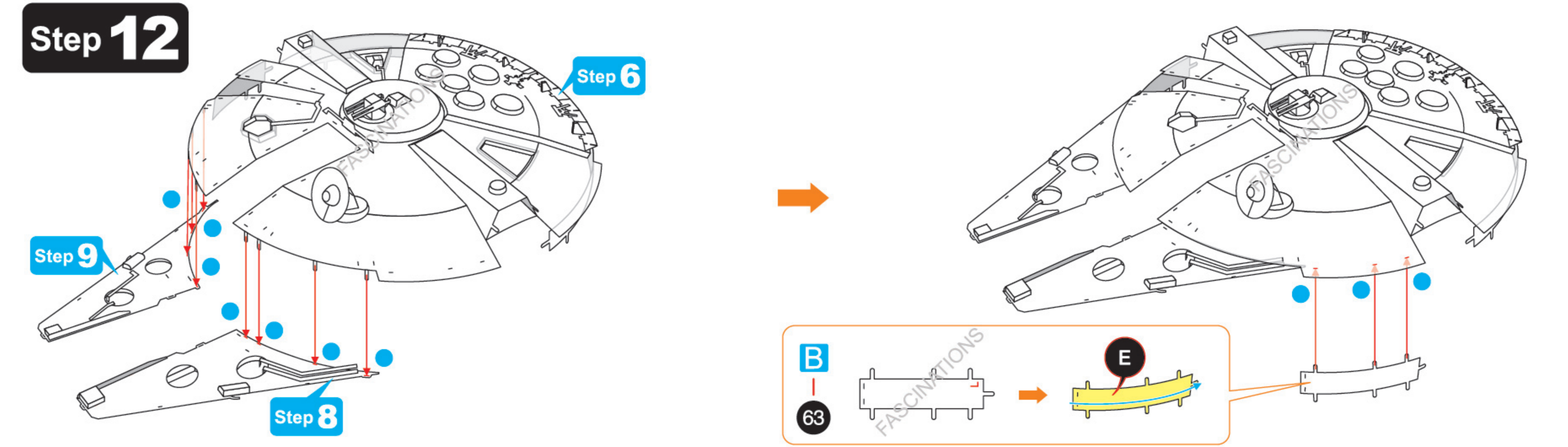
Step 10

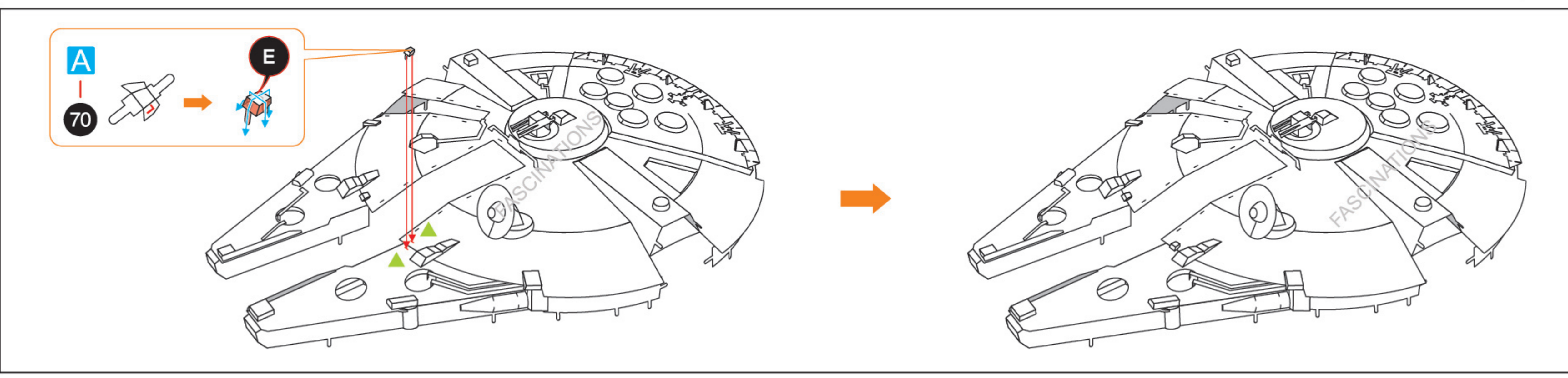


Step 11

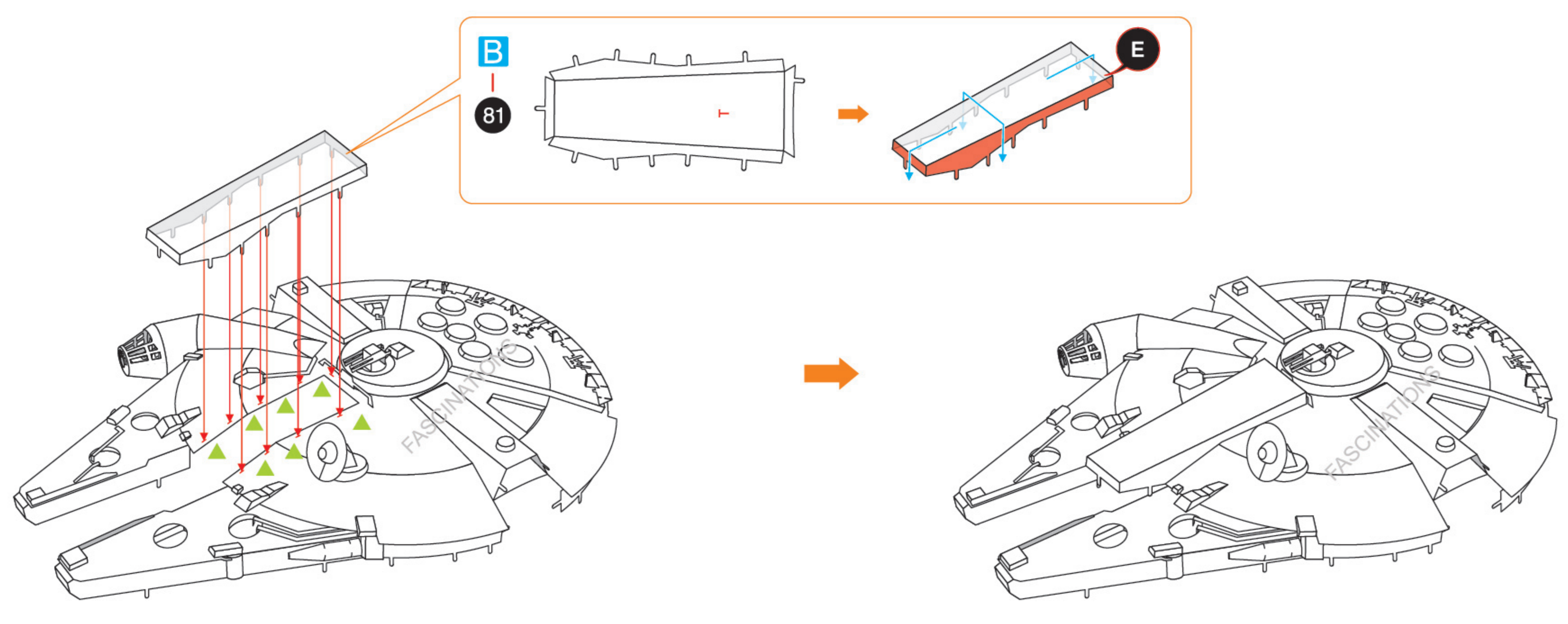
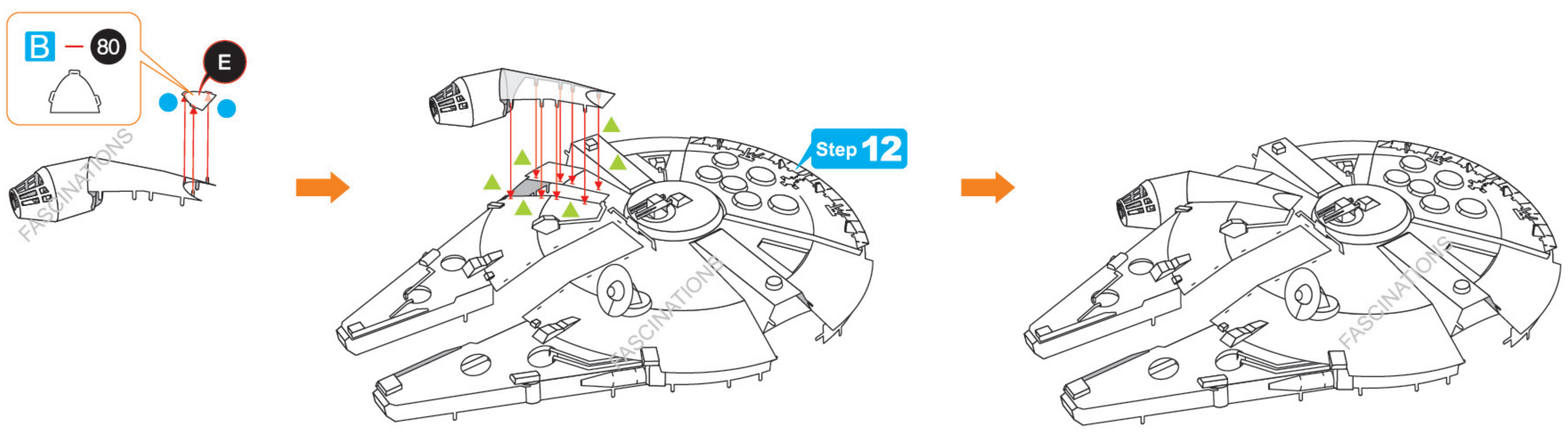
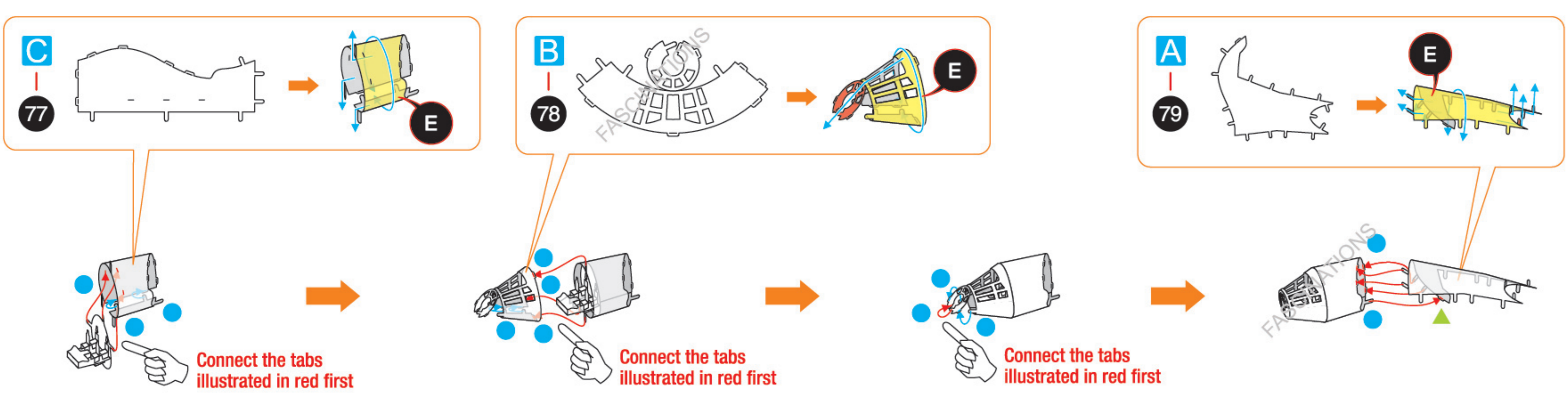
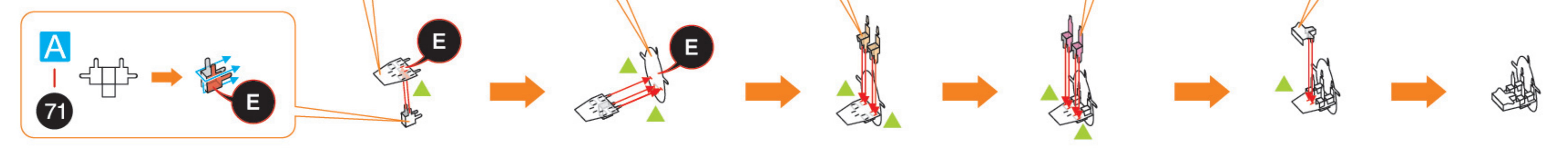
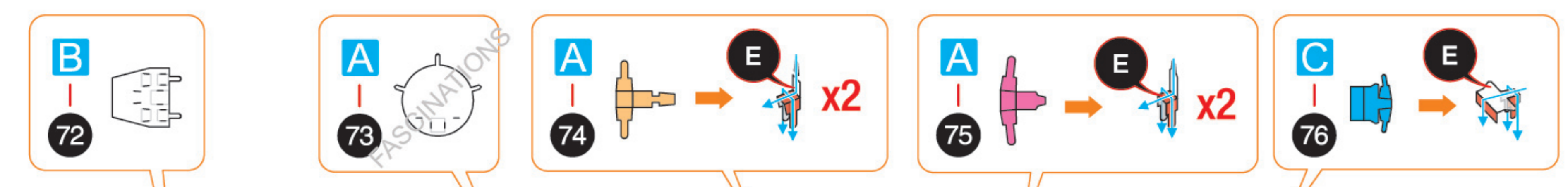


Step 12

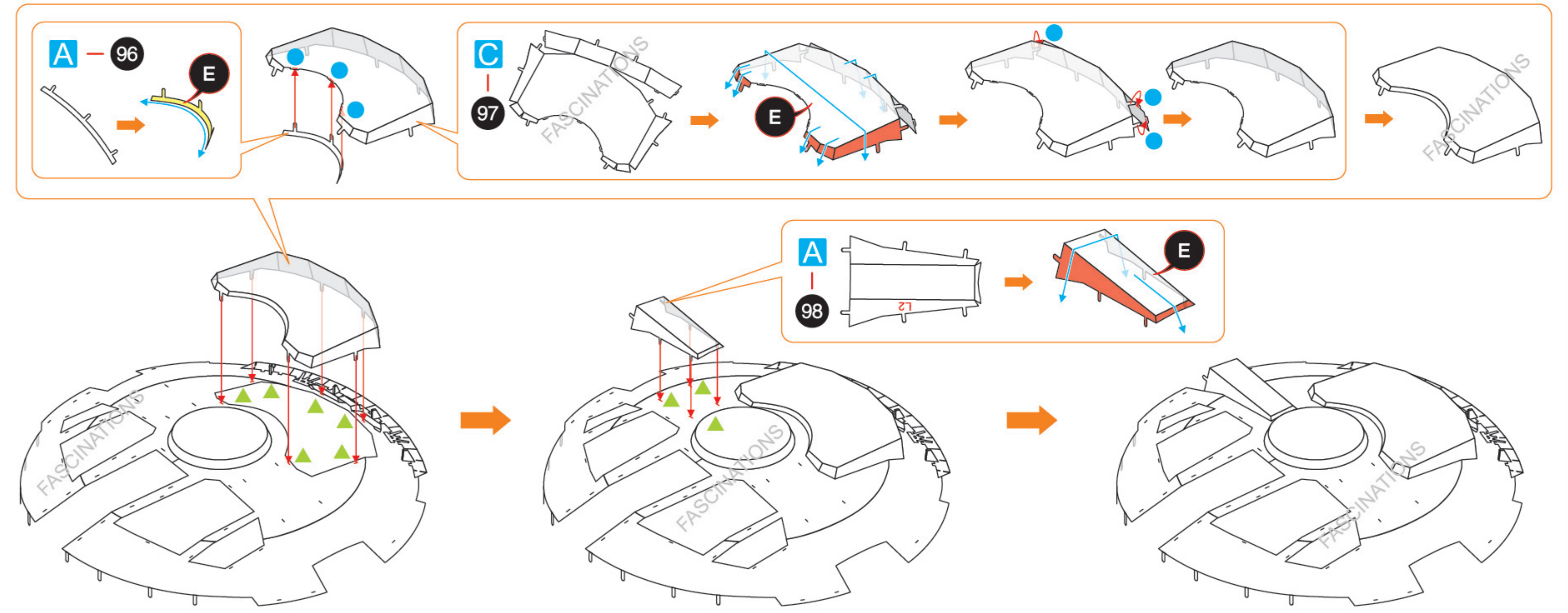
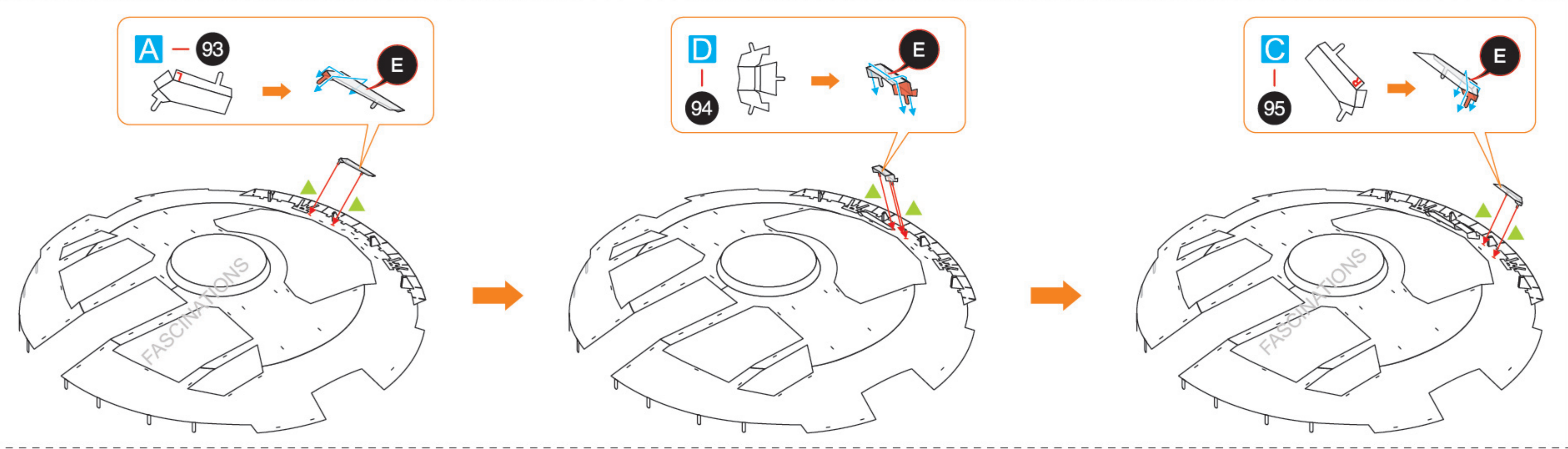
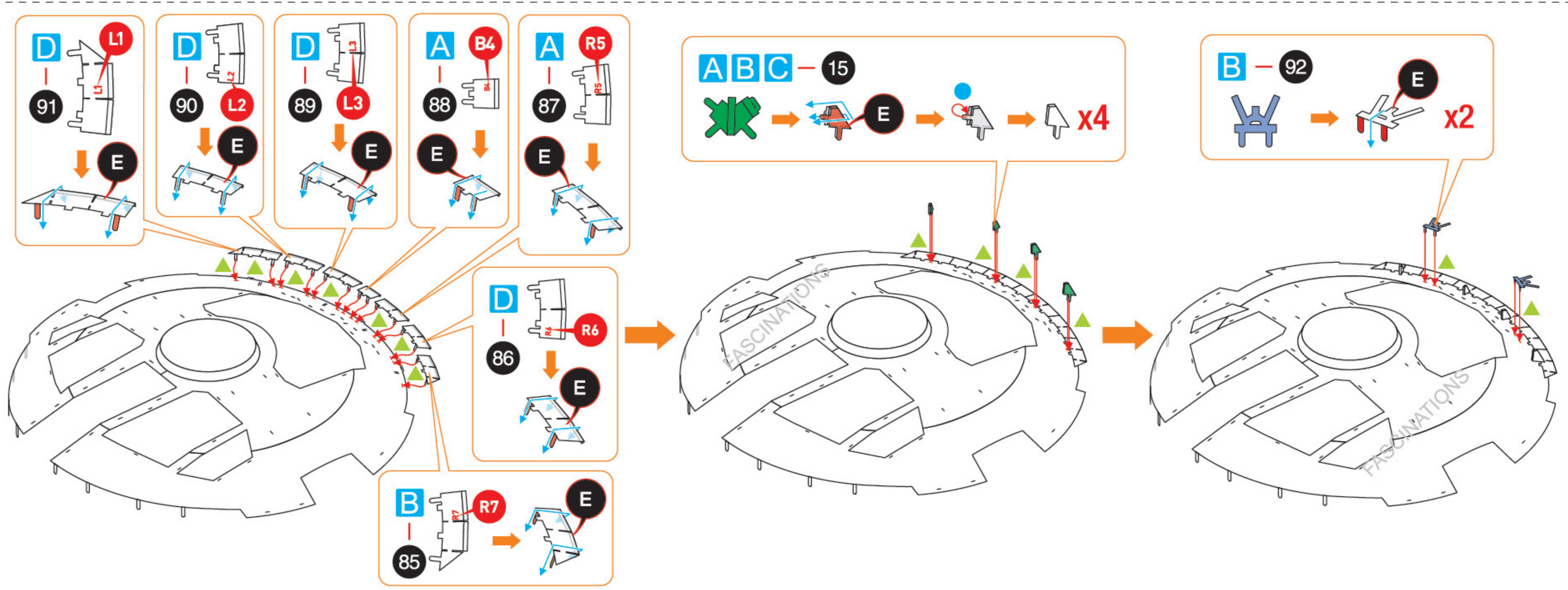
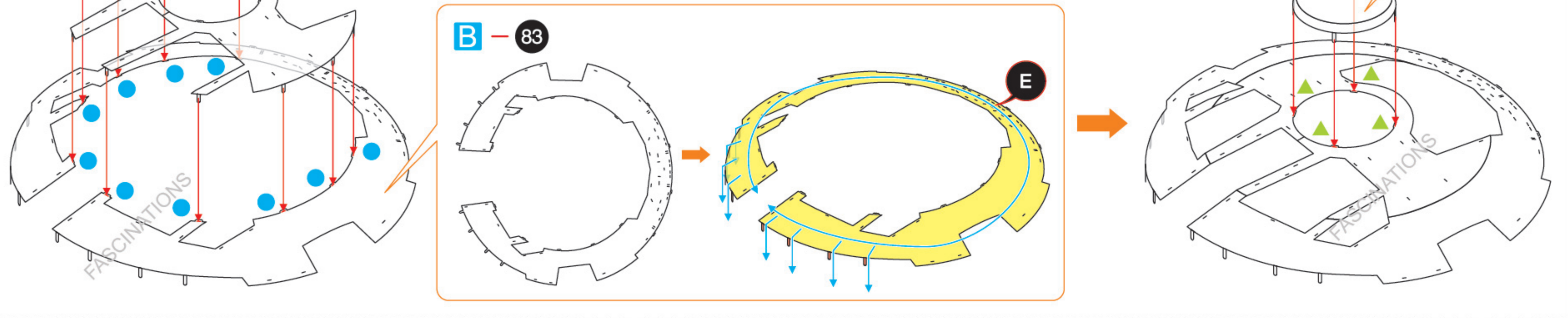
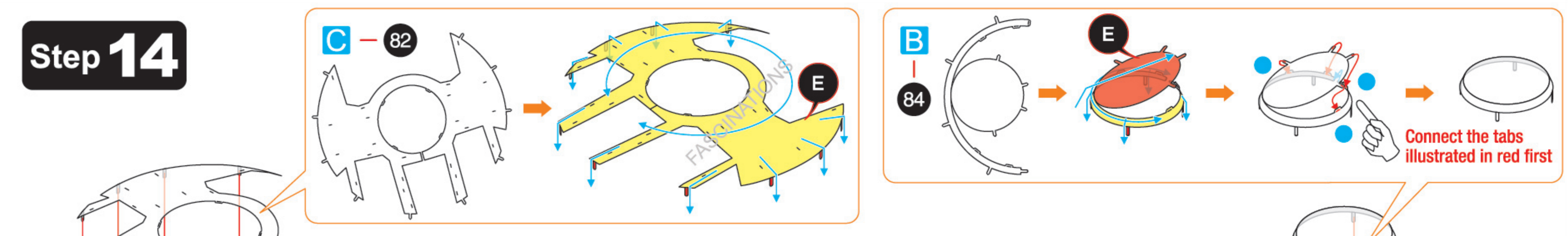




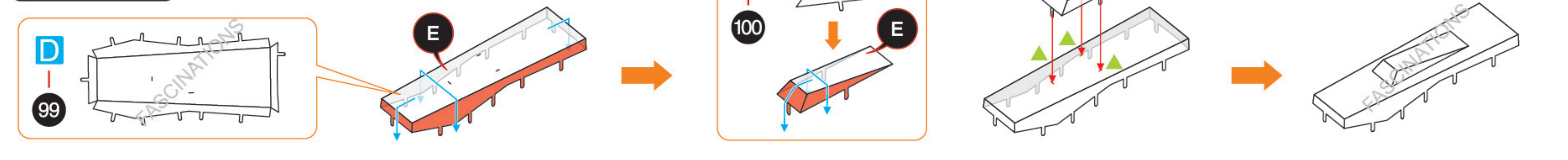
Step 13



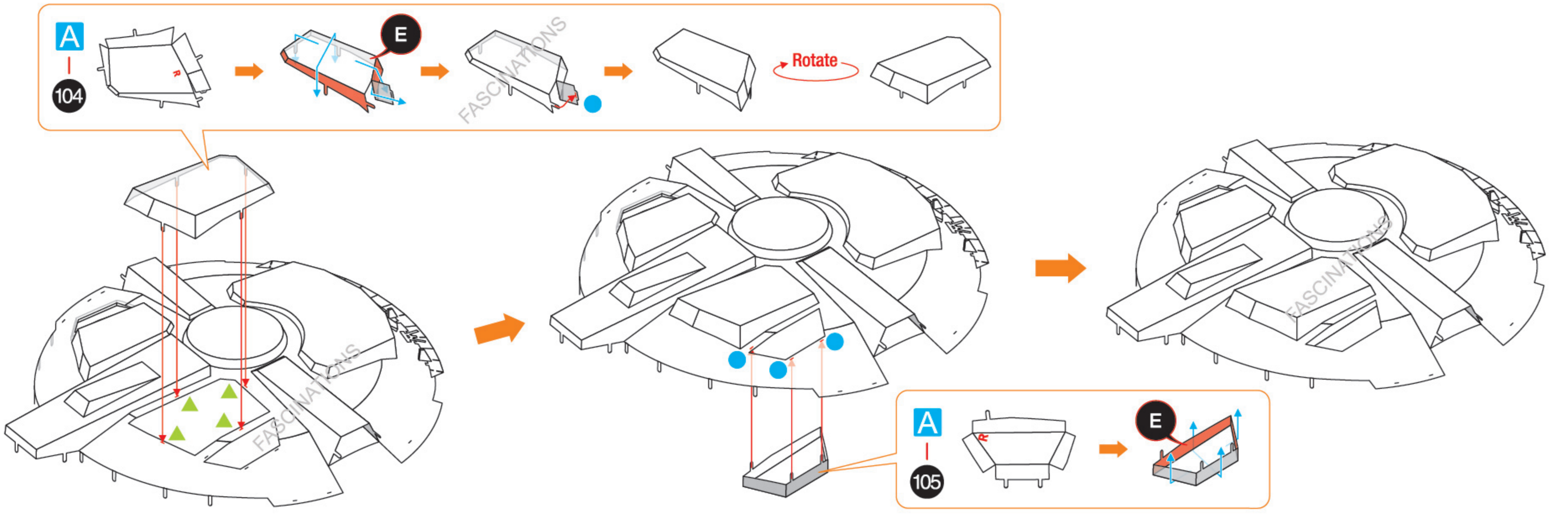
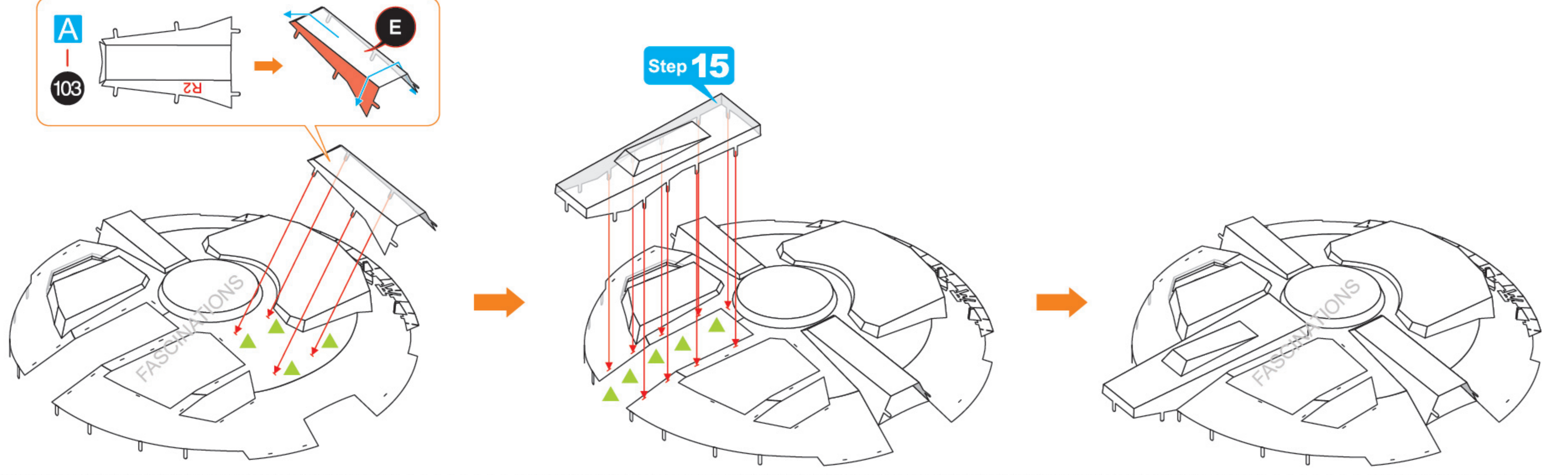
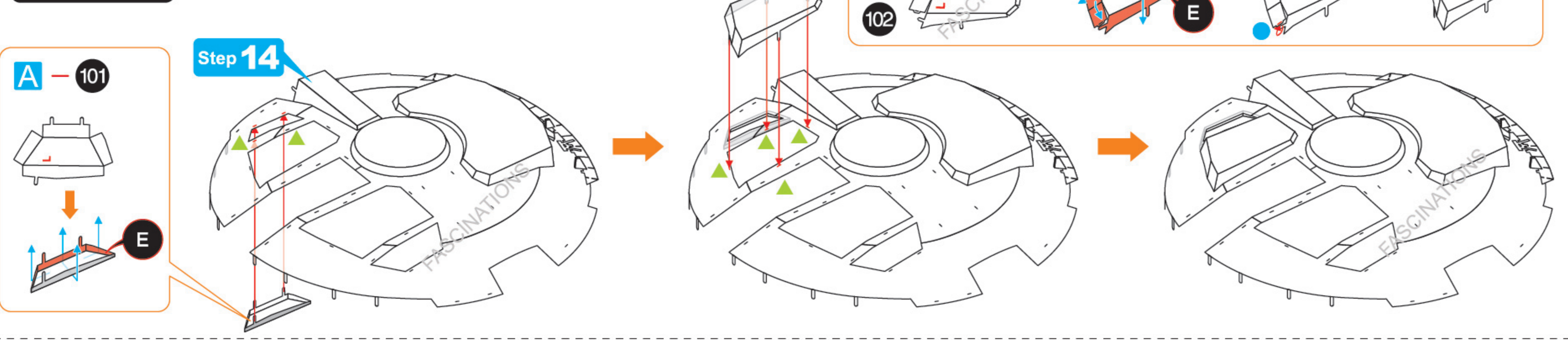
Step 14



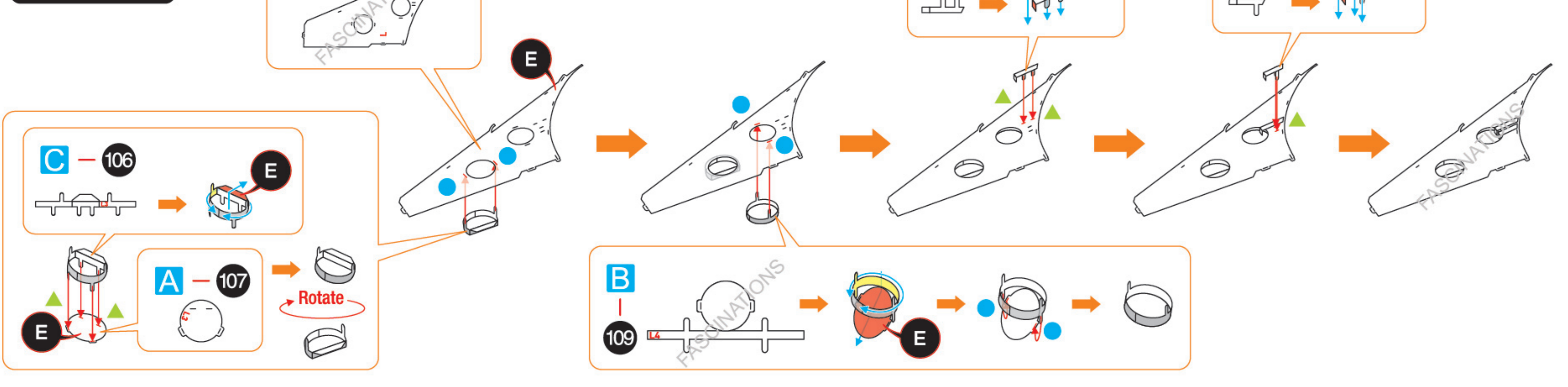
Step 15



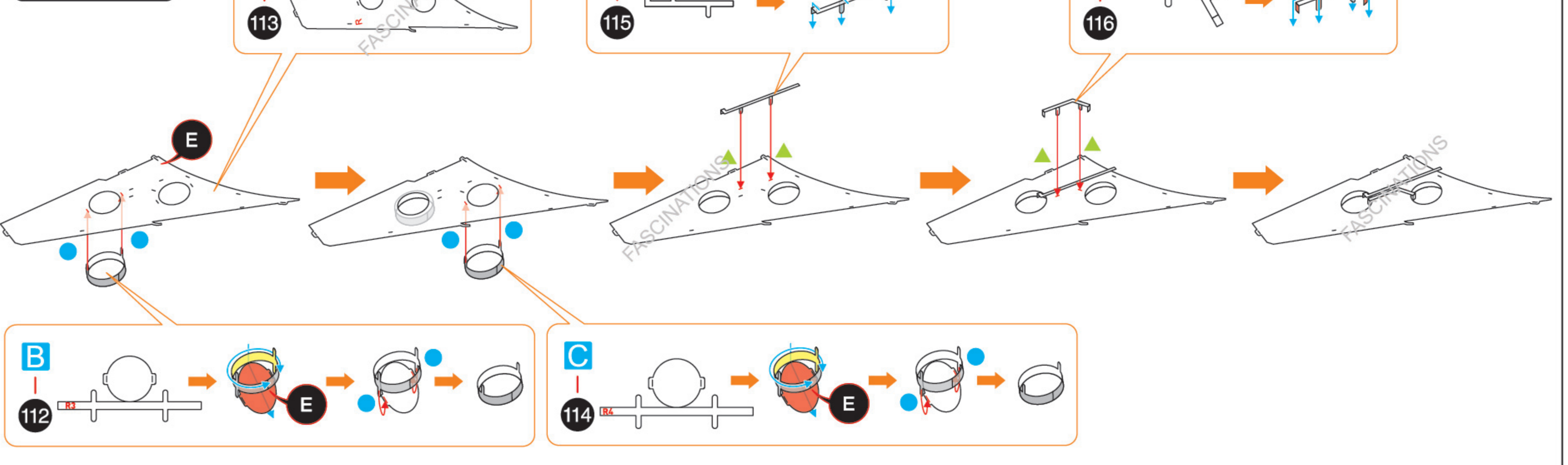
Step 16



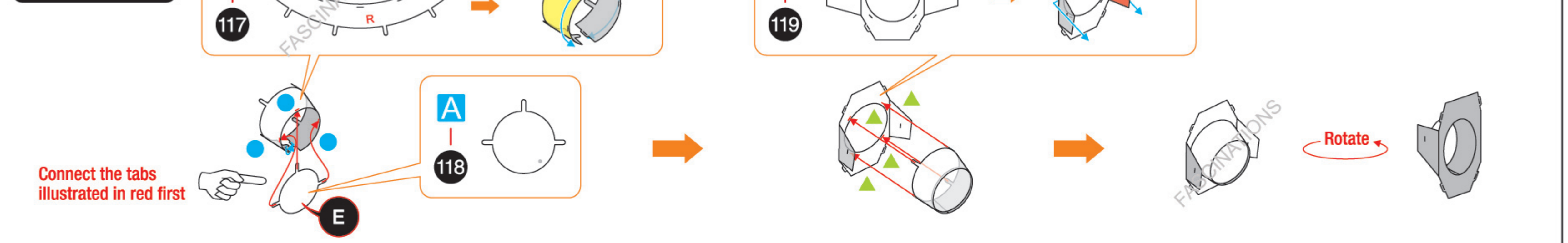
Step 17



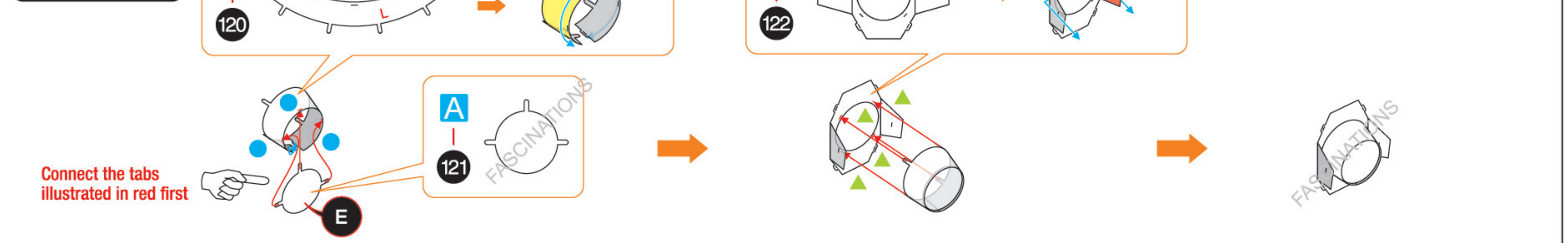
Step 18



Step 19



Step 20



Step 21

