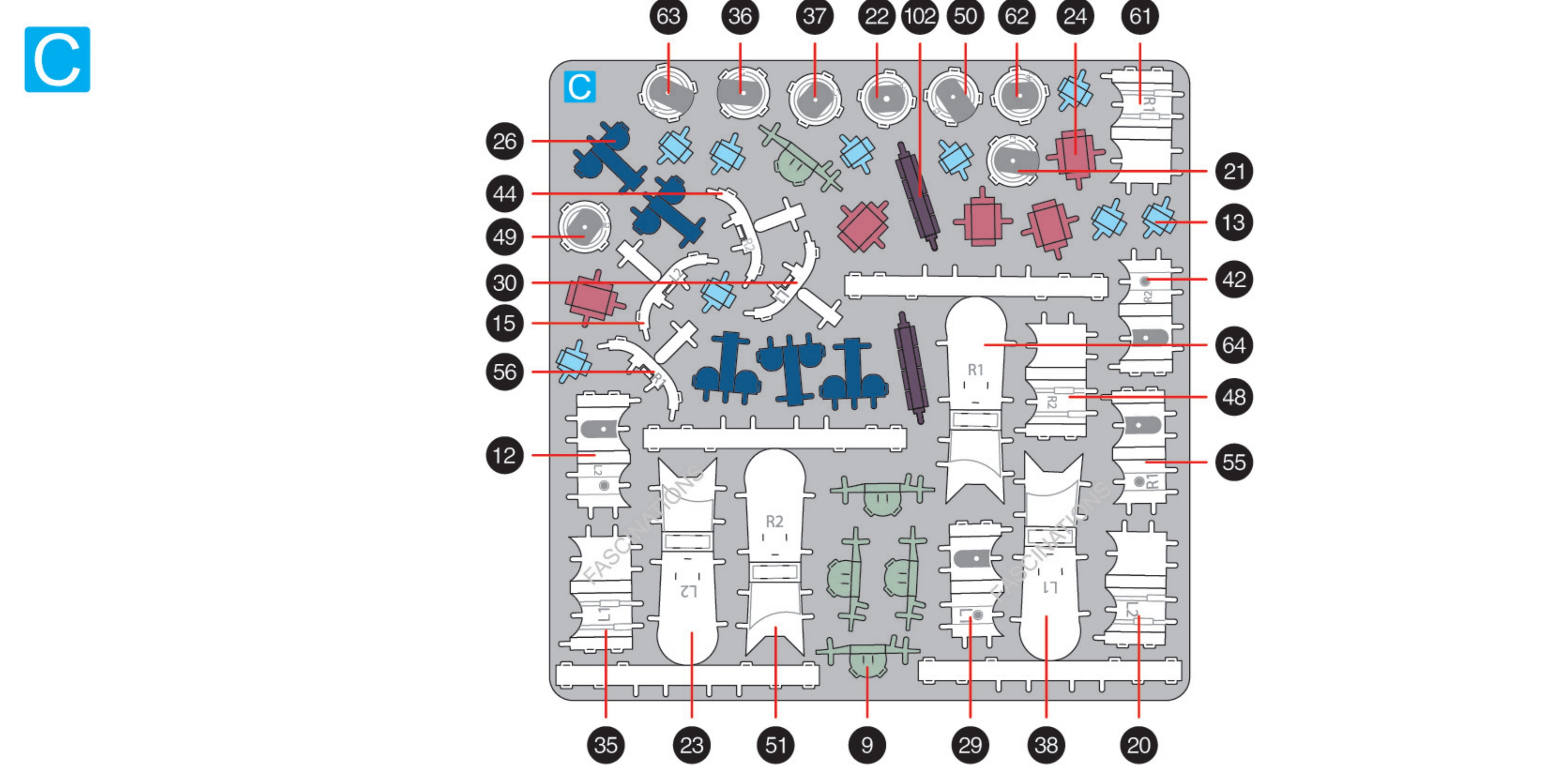
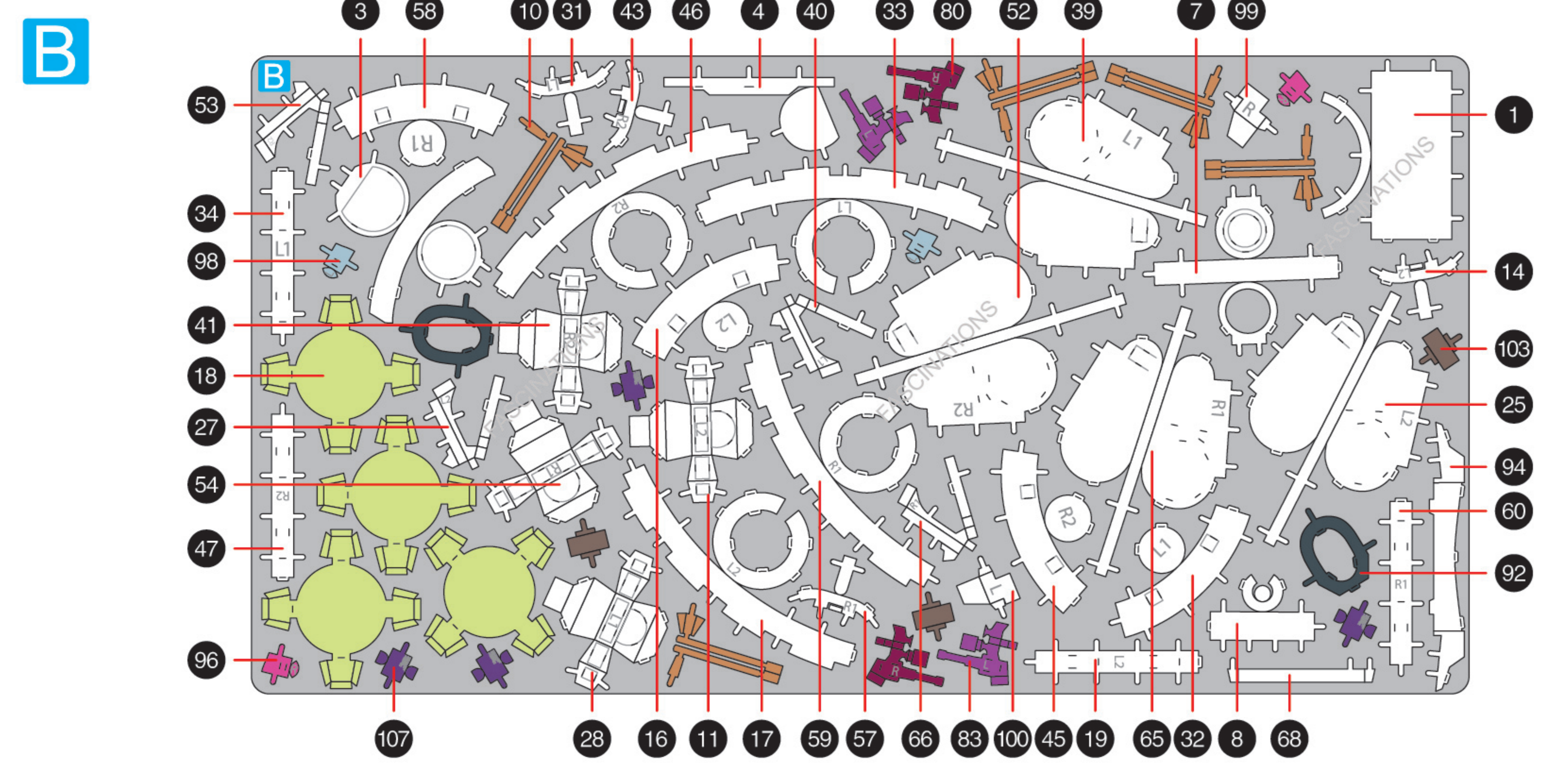
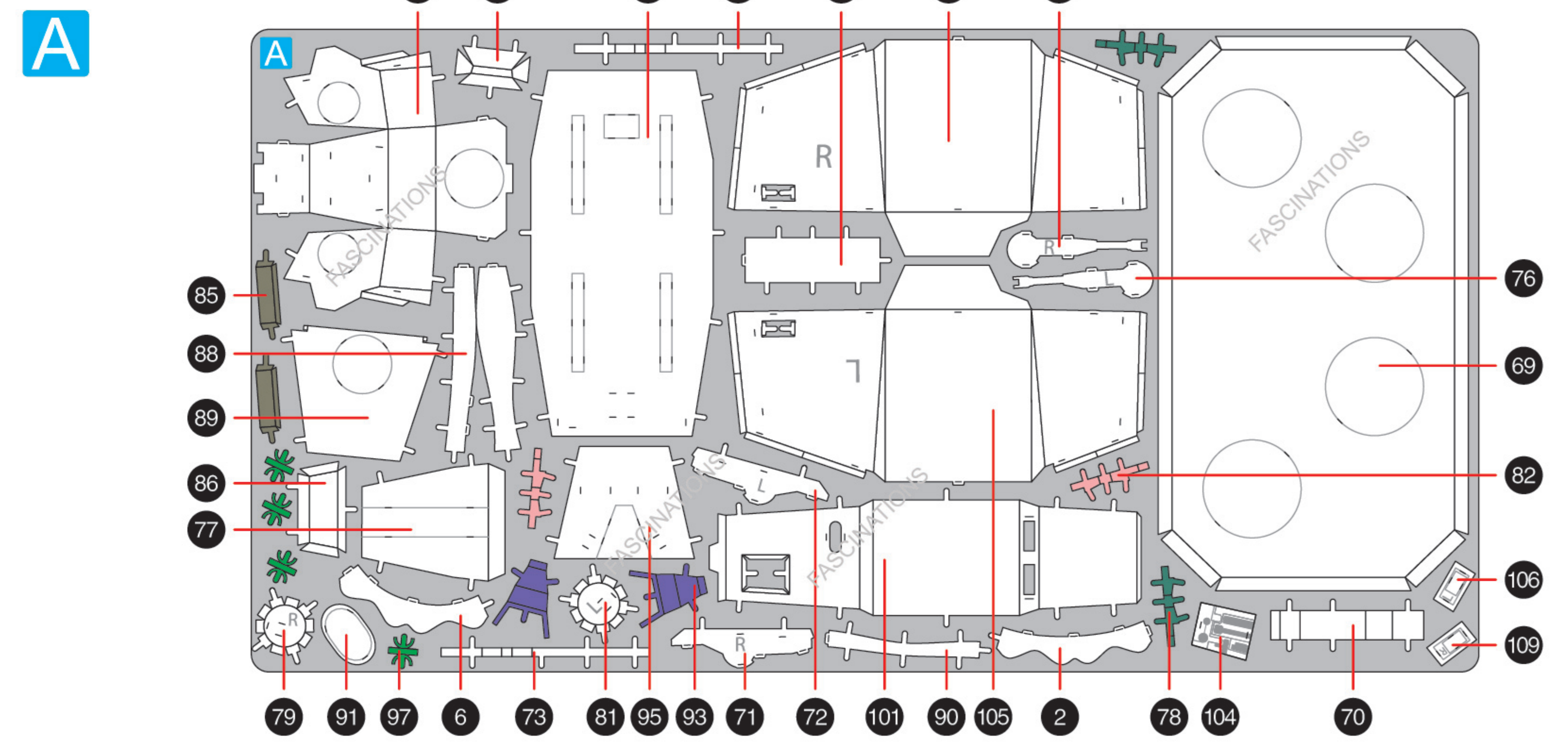


METAL SHEETS

Parts with same color are duplicates



Metal Earth

Premium Series

360° view

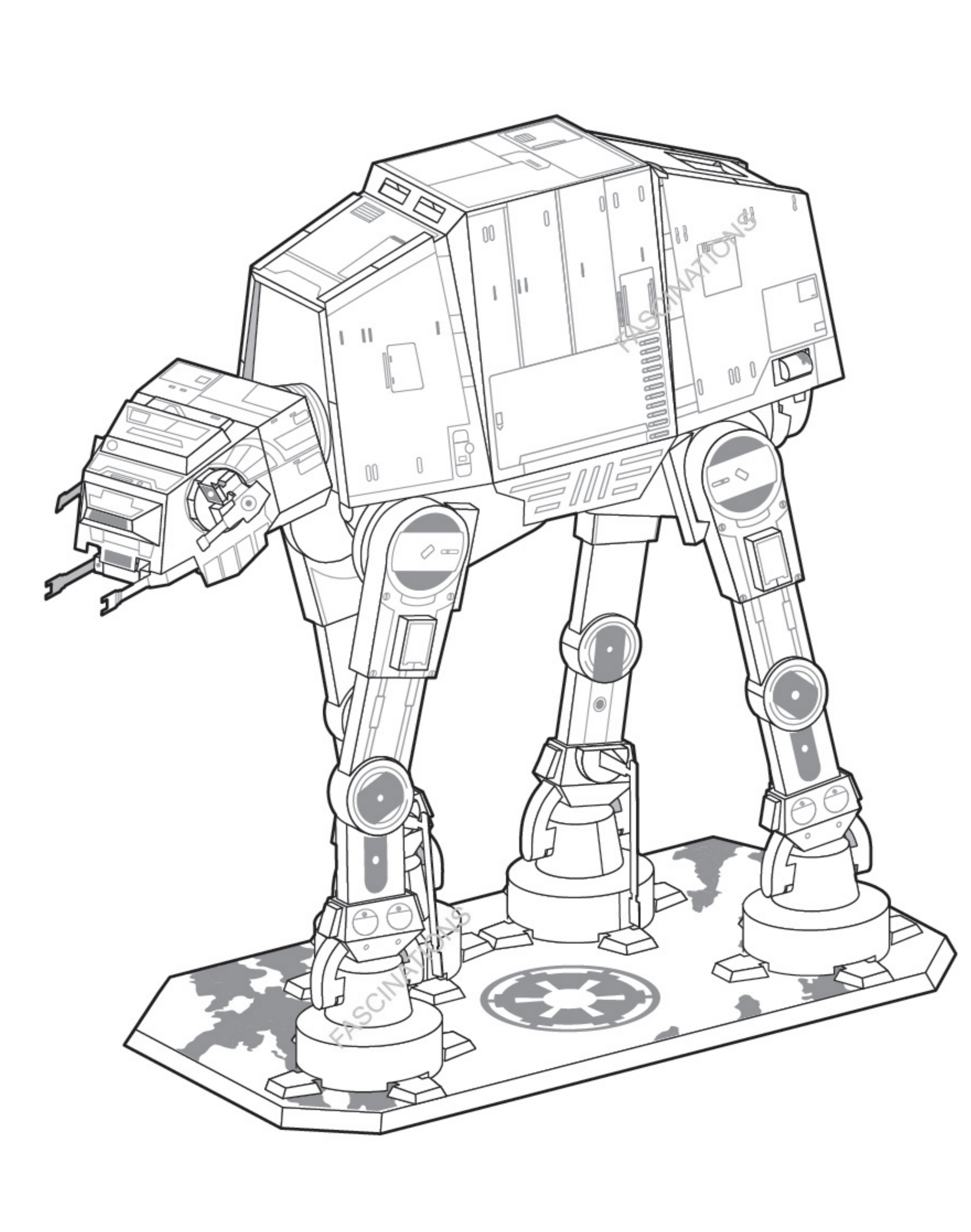


It is highly recommended that you visit www.metalearth.com/360/ICX221 to see the completed model before assembling your own

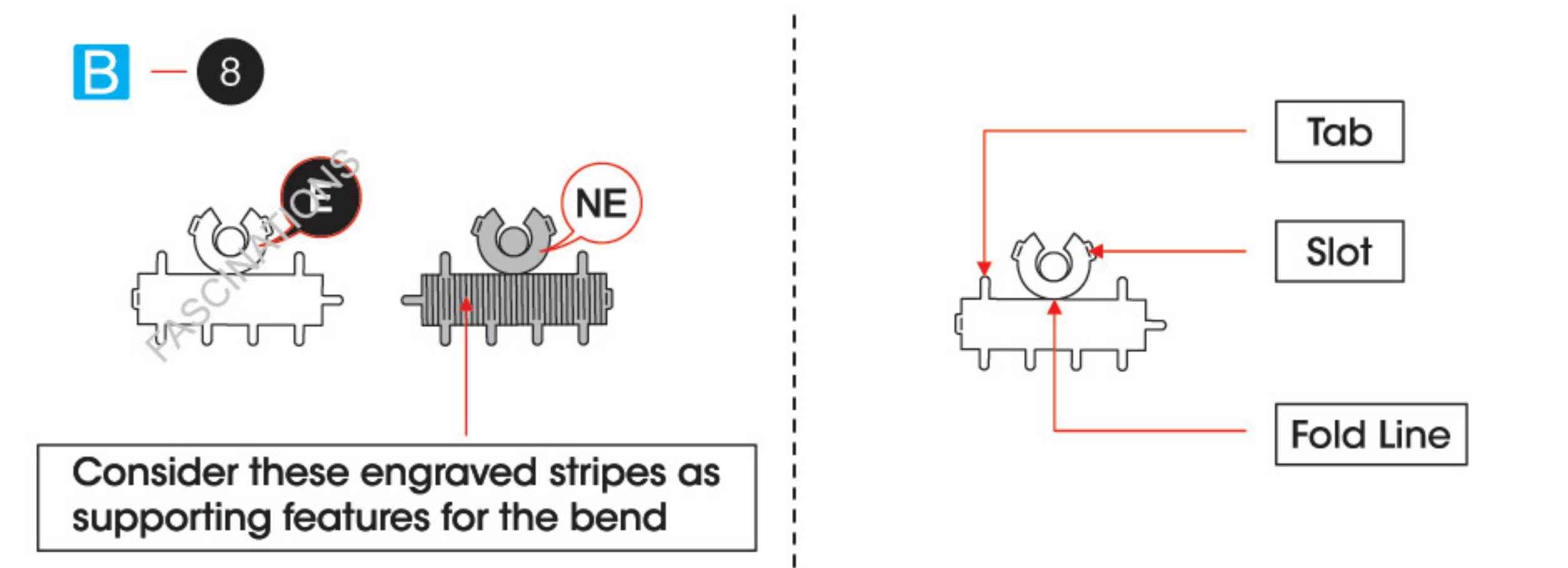
STAR WARS

www.starwars.com
© &™ Lucasfilm Ltd.

ICX221 IMPERIAL AT-AT™

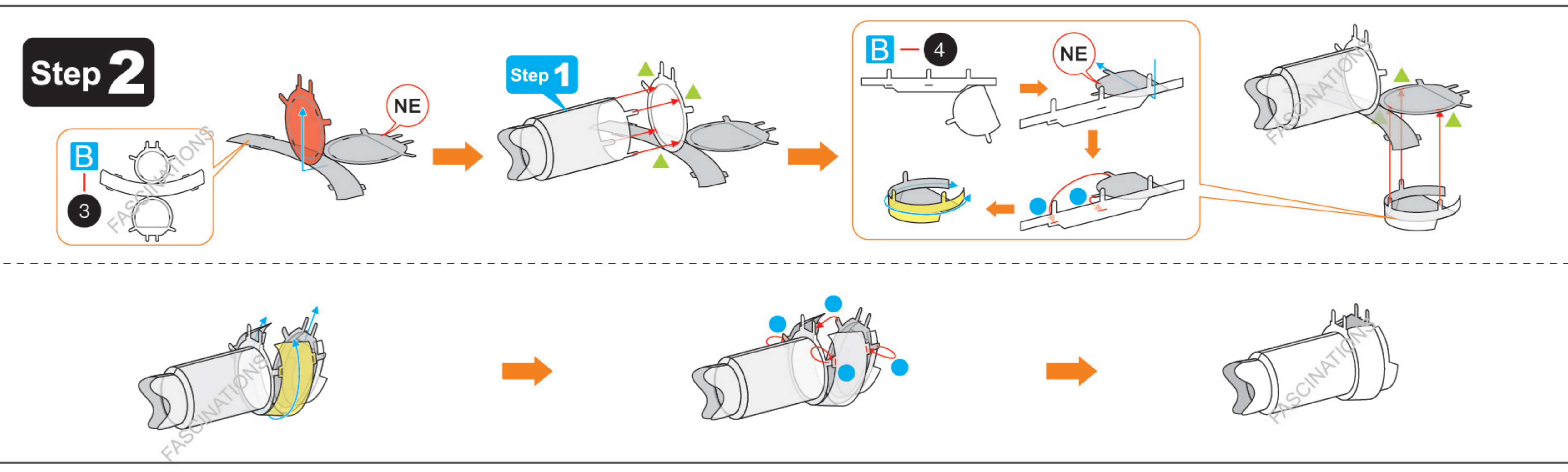
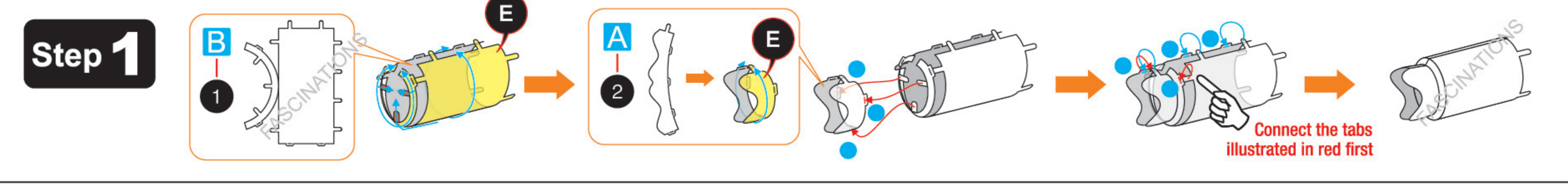


TO CREATE THE BEST CONNECTIONS



- Legends:**
- E** Engraved/ Color side
 - NE** Non - engraved/ Silver side
 - Hand icon** Attention point
 - Blue circle** Insert tab and bend 90 degrees
 - Green triangle** Insert tab and twist 90 degrees
- Recommended tools:**
- Wire cutters: helpful for taking parts from the metal sheets.
 - Tweezers or needle nose pliers: helpful for folding parts, bending and twisting tabs.
- Assembly tip:**
- Yellow areas should be curled
 - Red areas should be folded

ASSEMBLY STEPS



! In order to avoid possible injury from sharp edges, please carefully discard the metal sheets after parts have been removed.

Step 3

Step 4

Connect the tabs illustrated in red first

Step 5

x4

Step 6

x2

B-14

C-15

B-16

Connect the tabs illustrated in red first

B-17

Connect the tabs illustrated in red first

B-18

B-19

C-20

C-21

C-22

C-23

C-24

Connect the tabs illustrated in red first

B-25

C-26

B-27

Step 7

x2

C-30

B-31

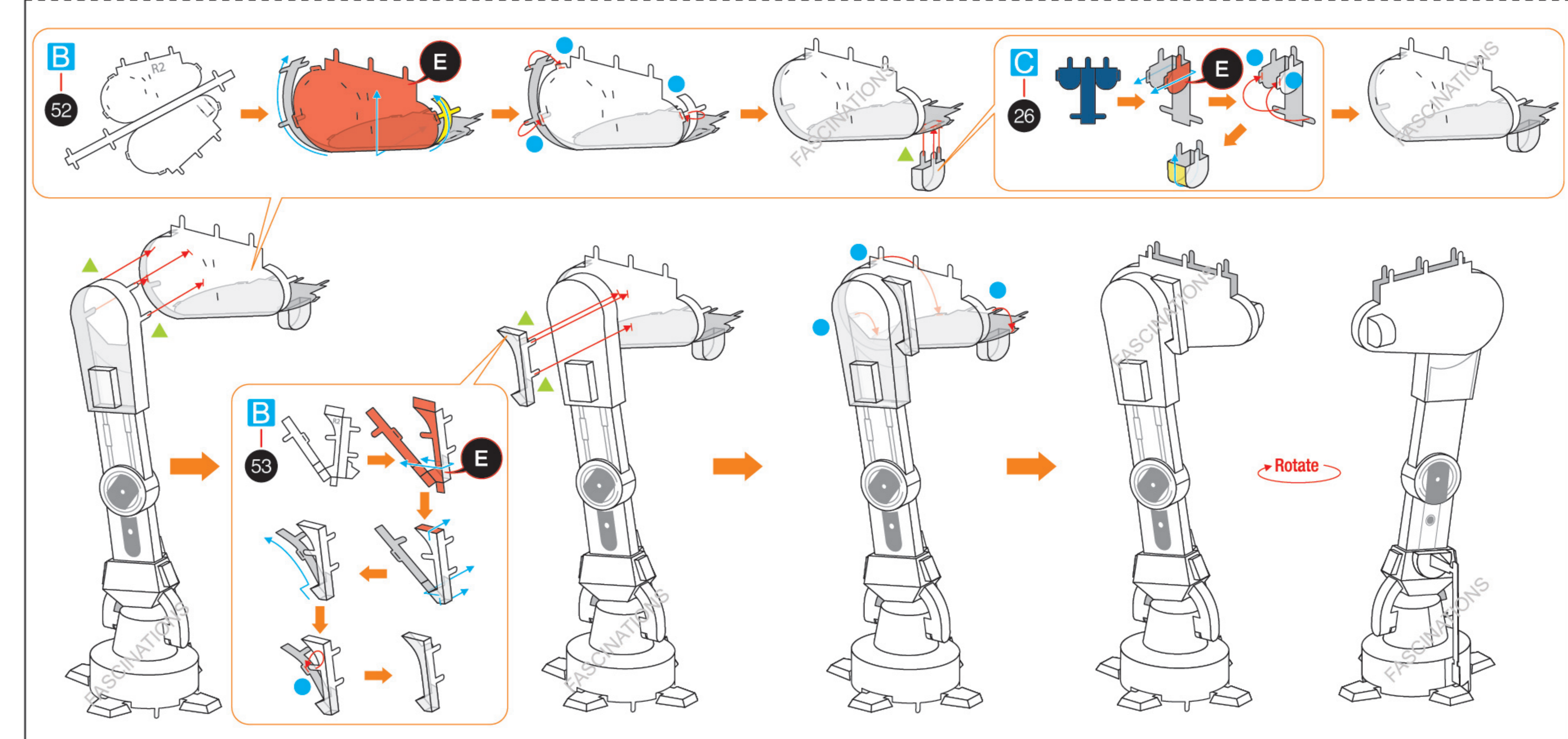
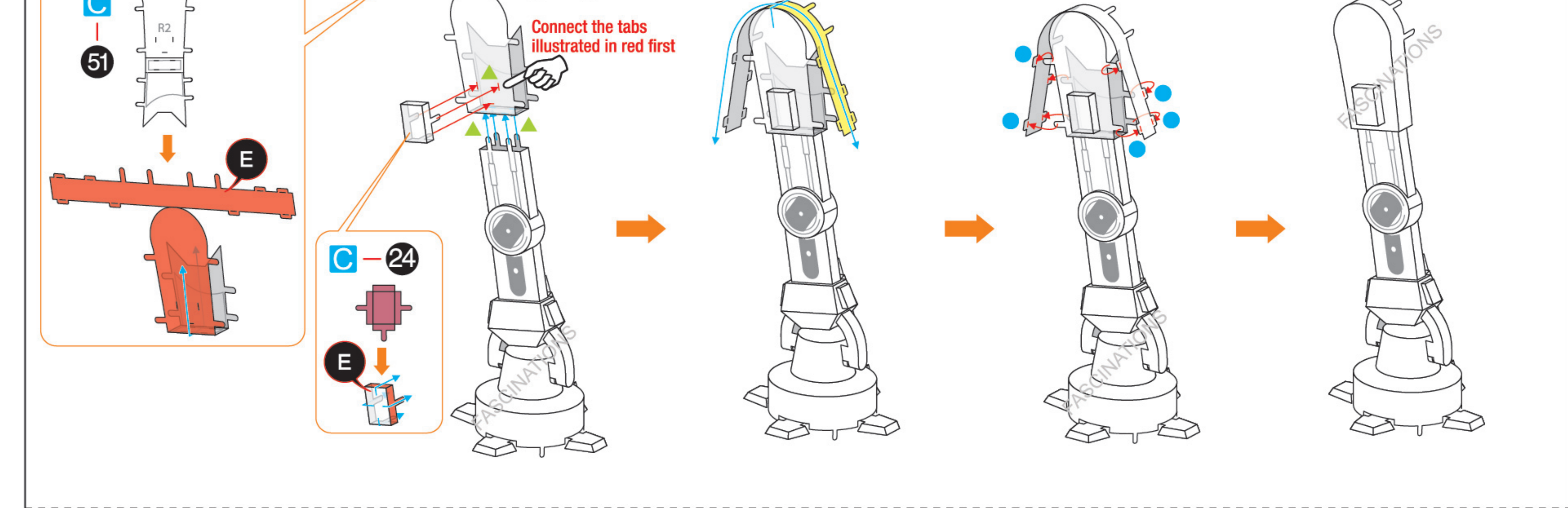
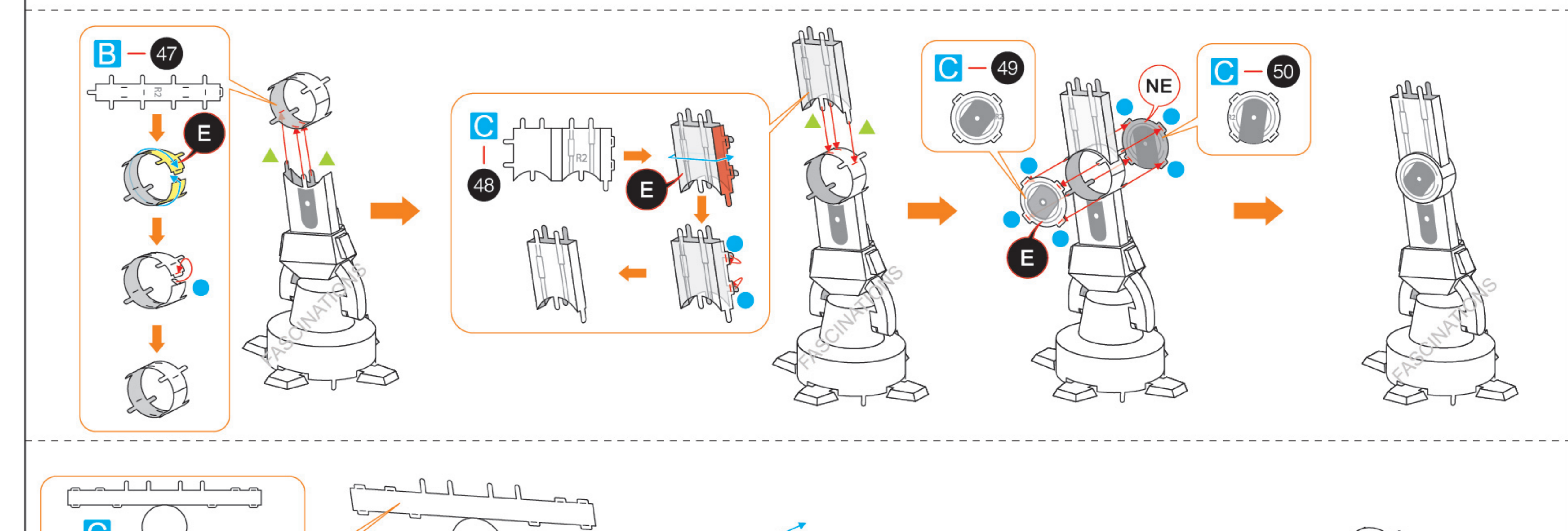
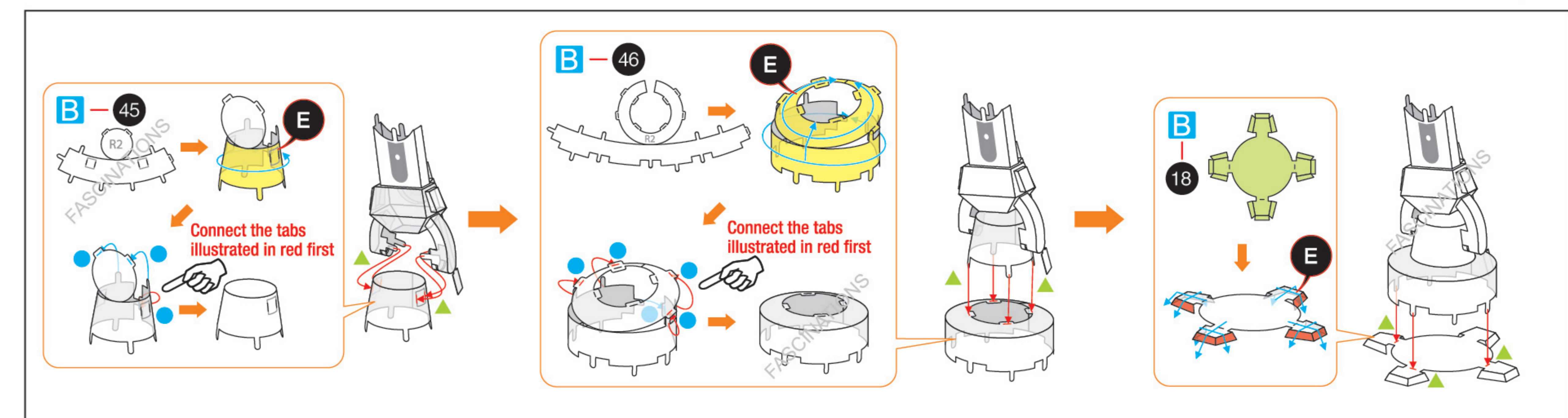
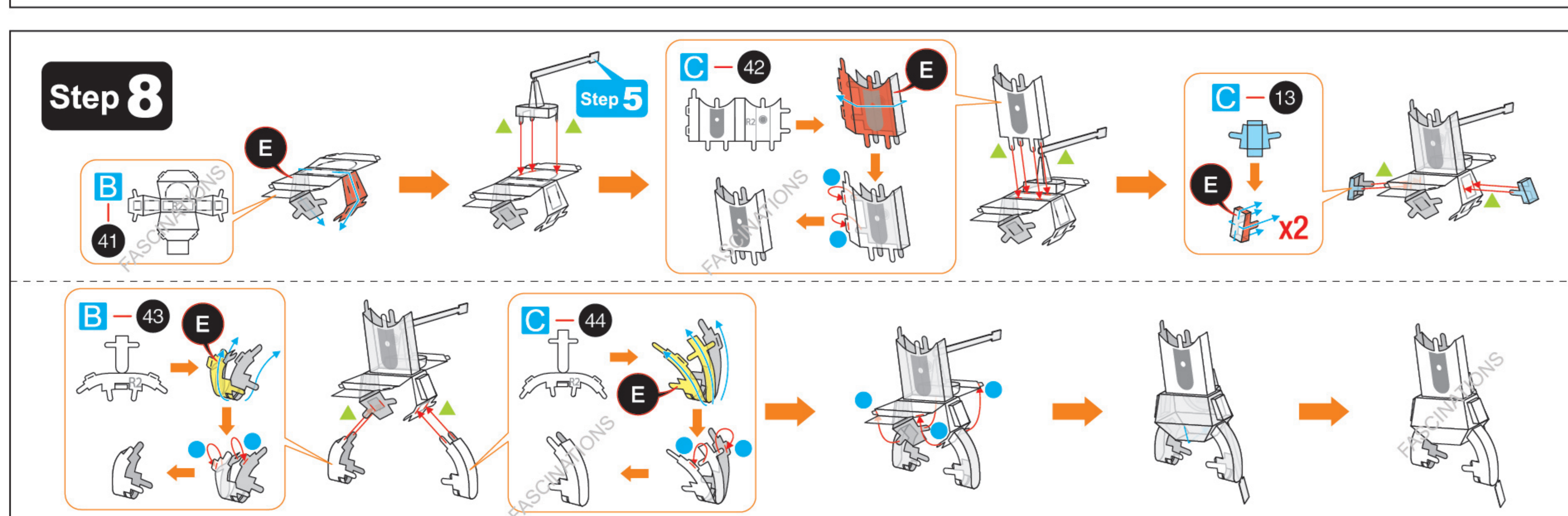
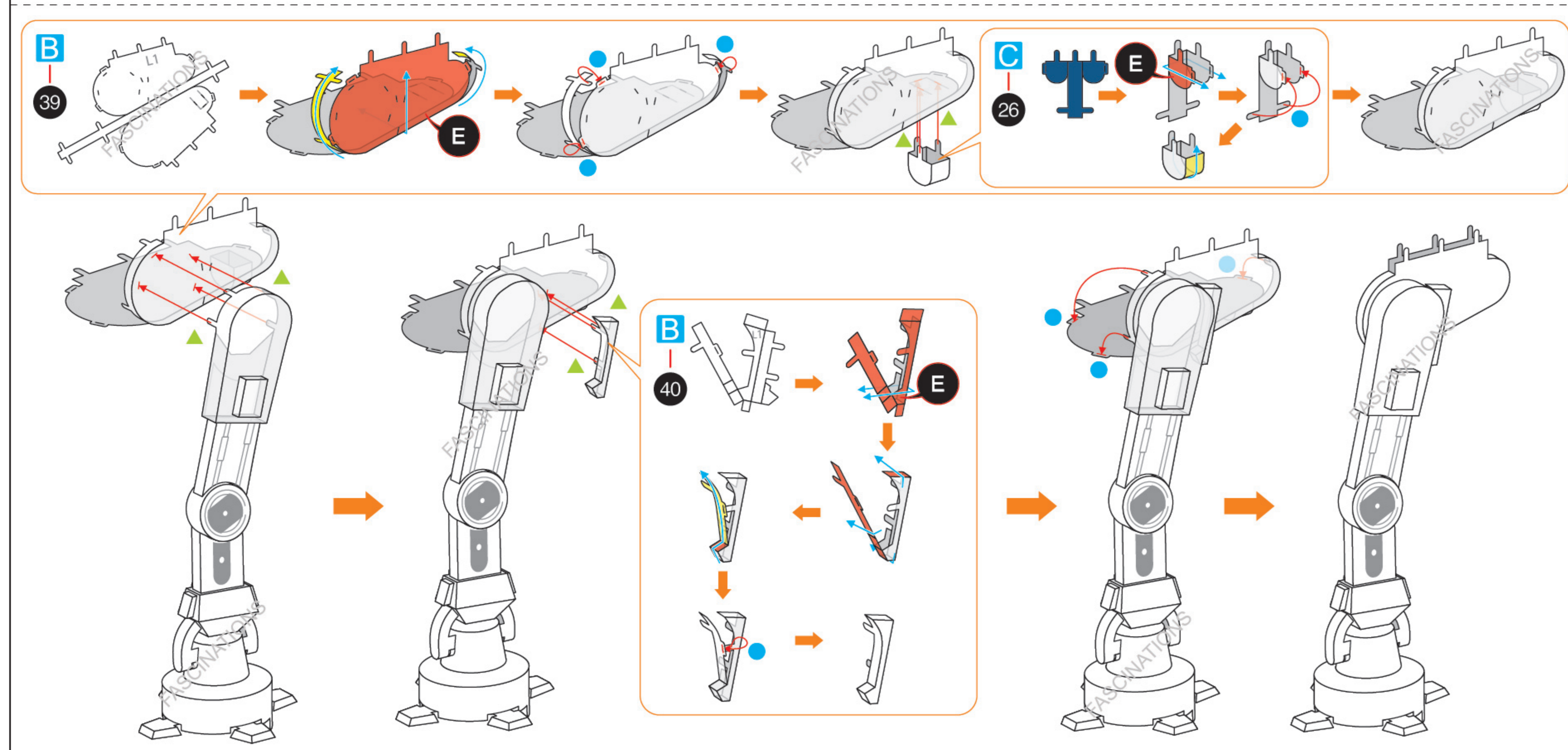
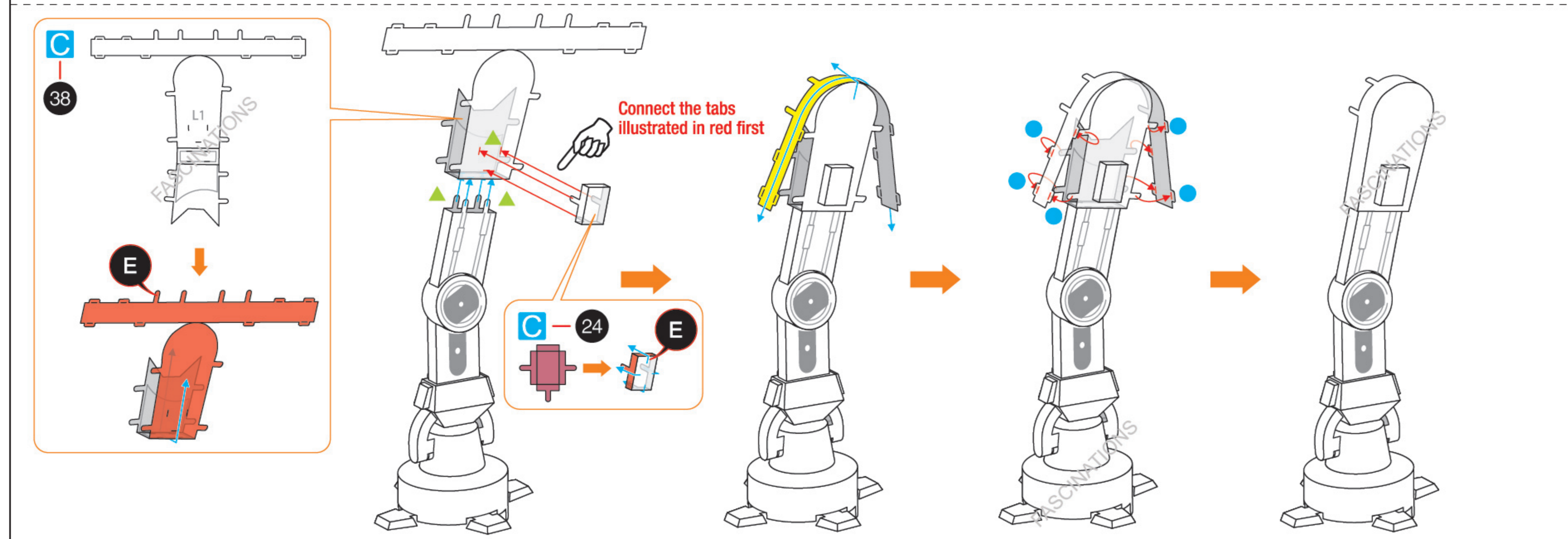
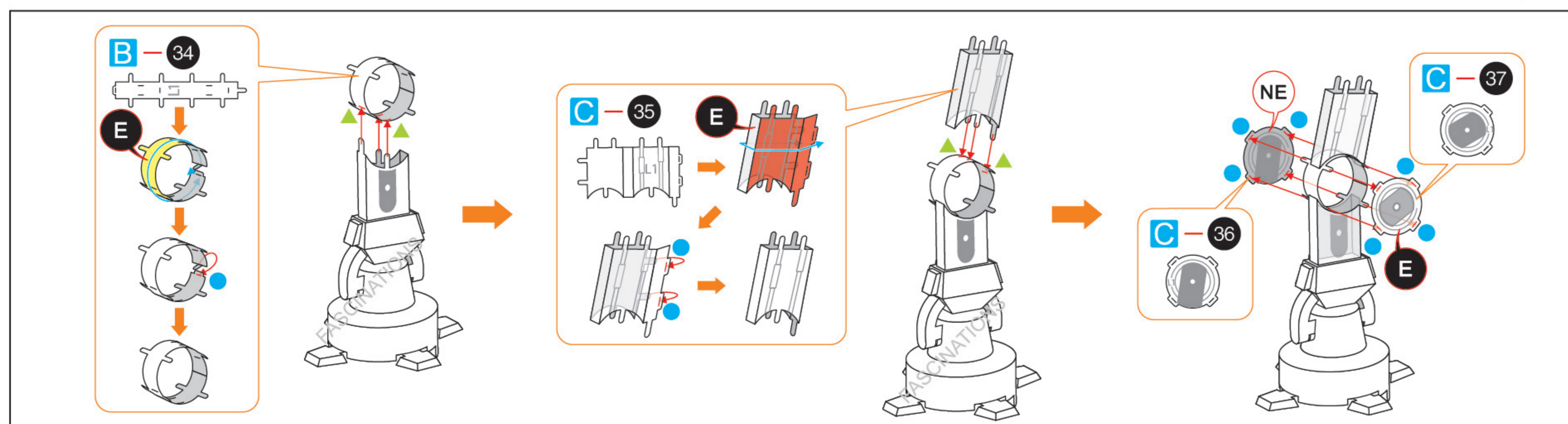
B-32

Connect the tabs illustrated in red first

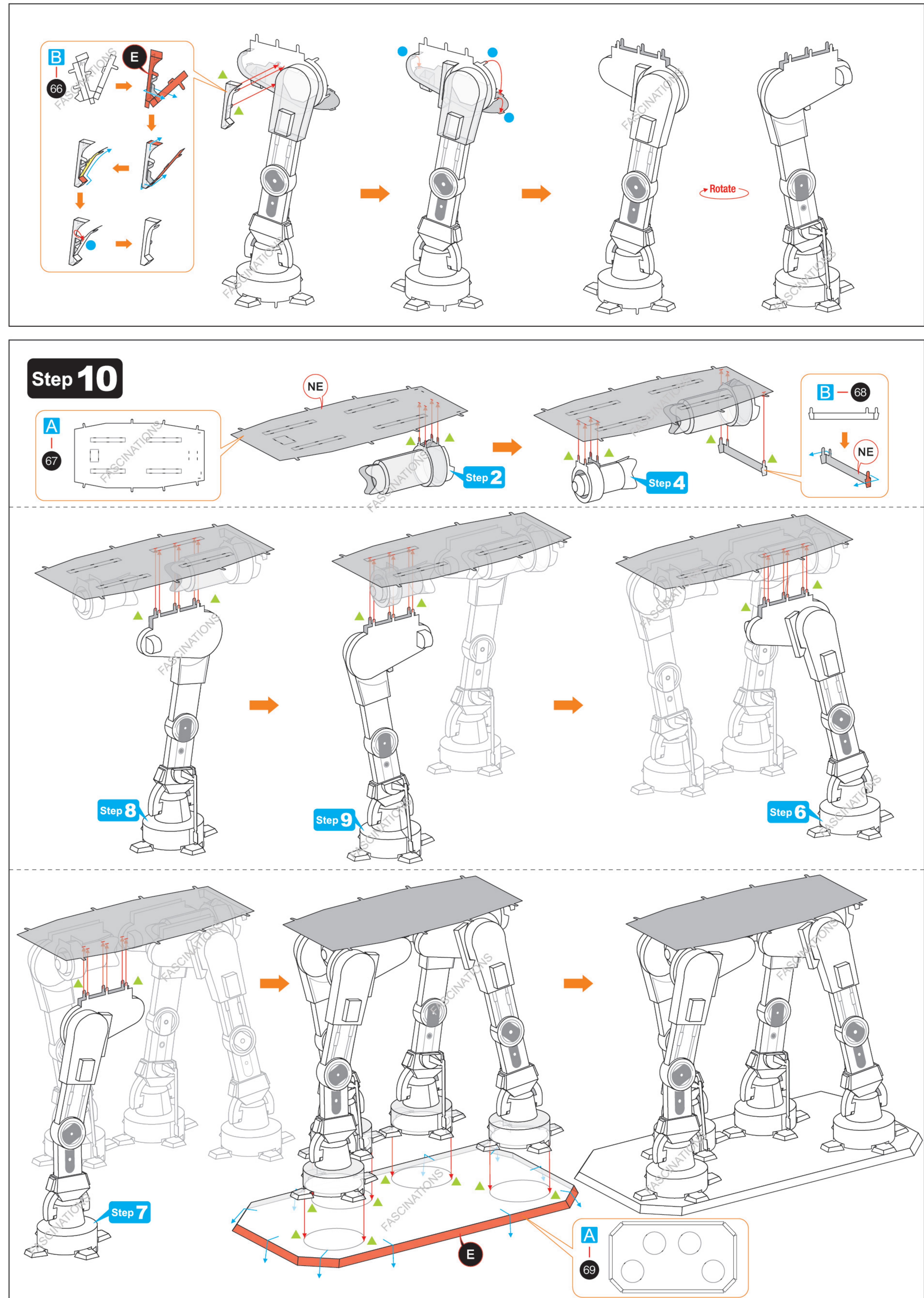
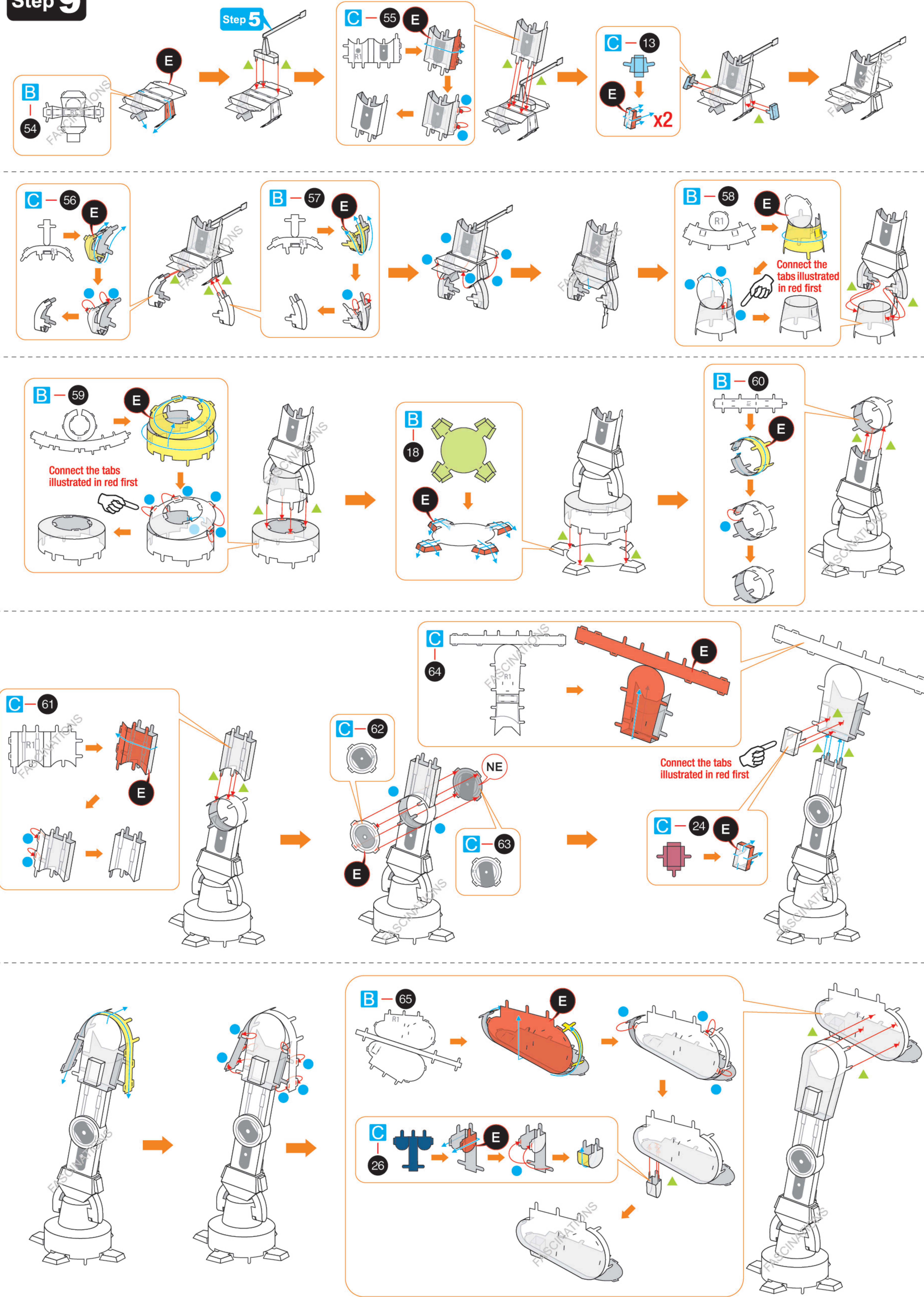
B-33

Connect the tabs illustrated in red first

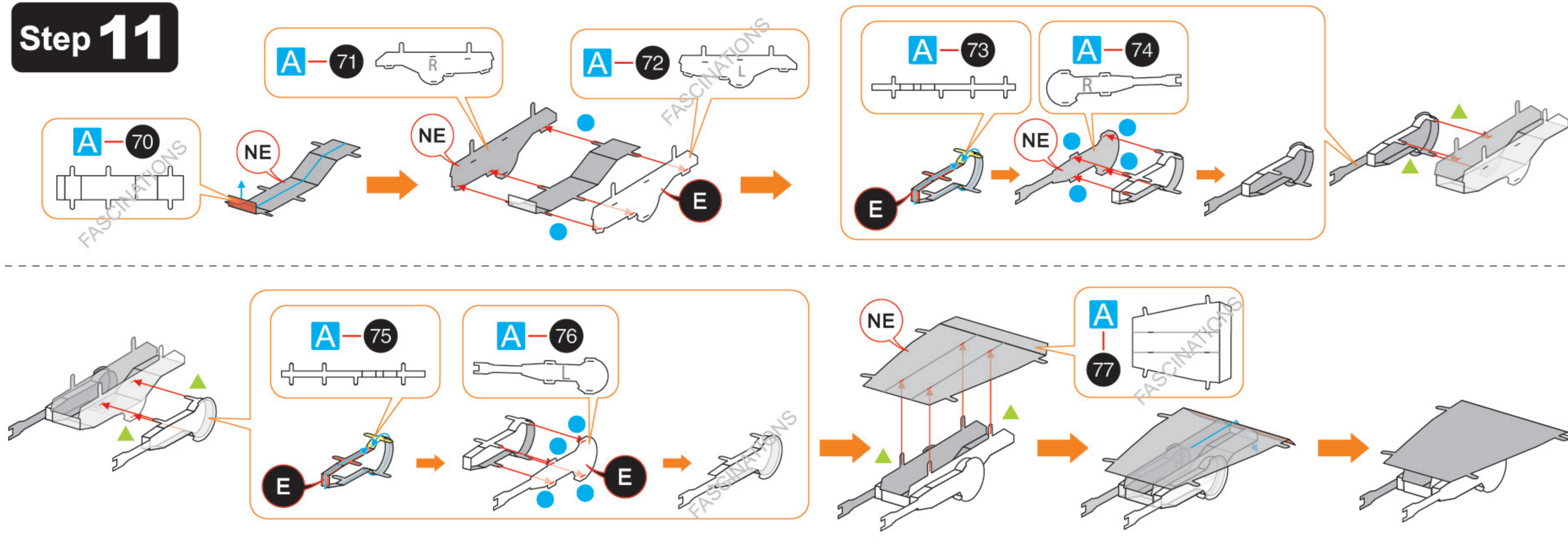
B-18



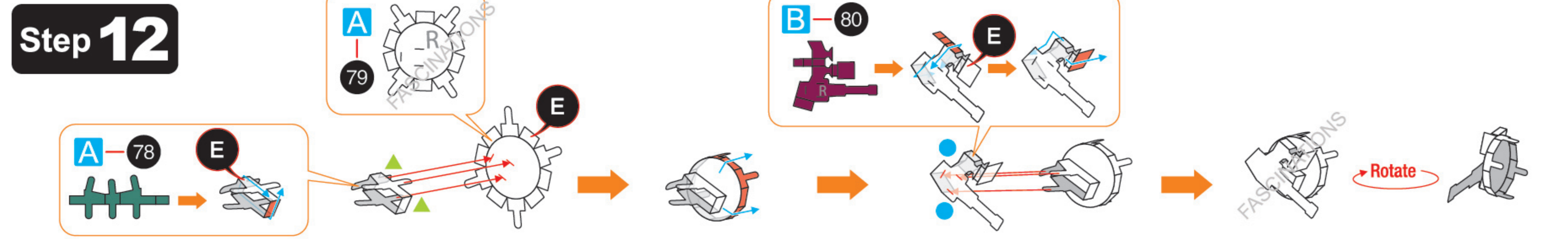
Step 9



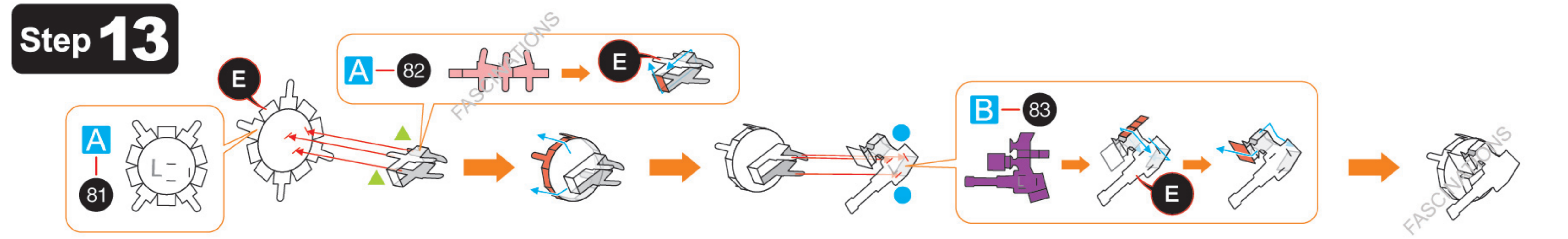
Step 11



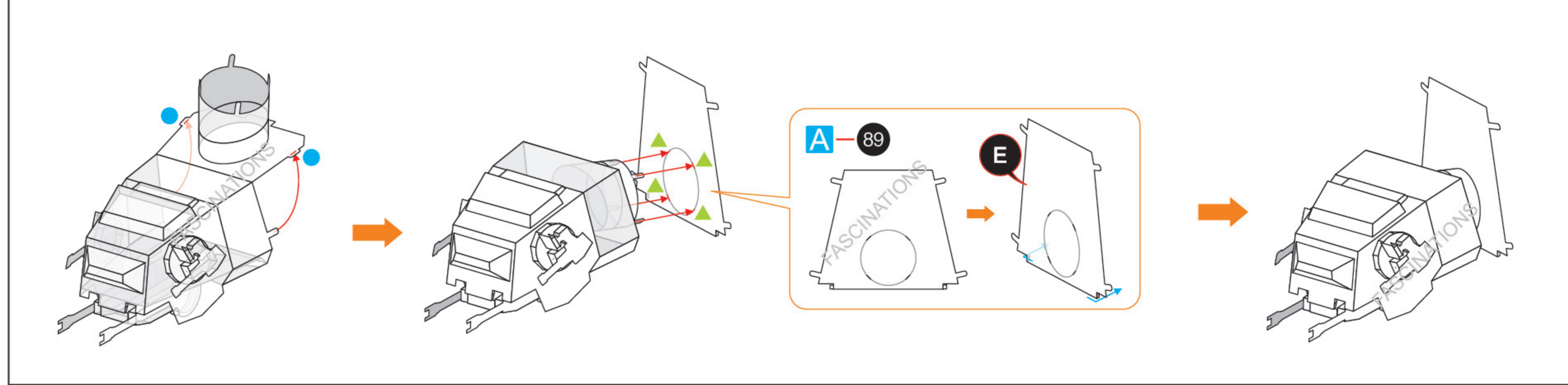
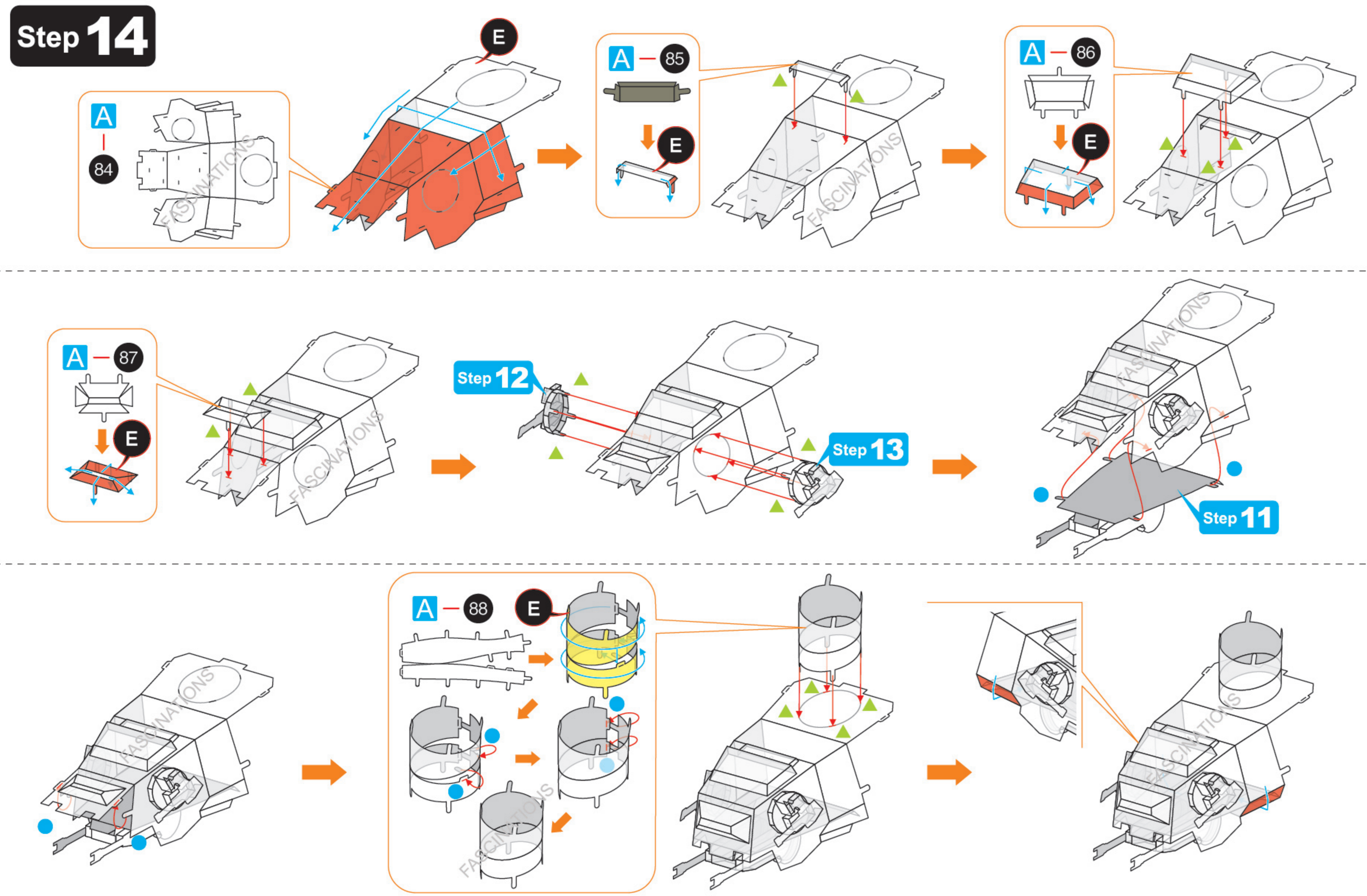
Step 12



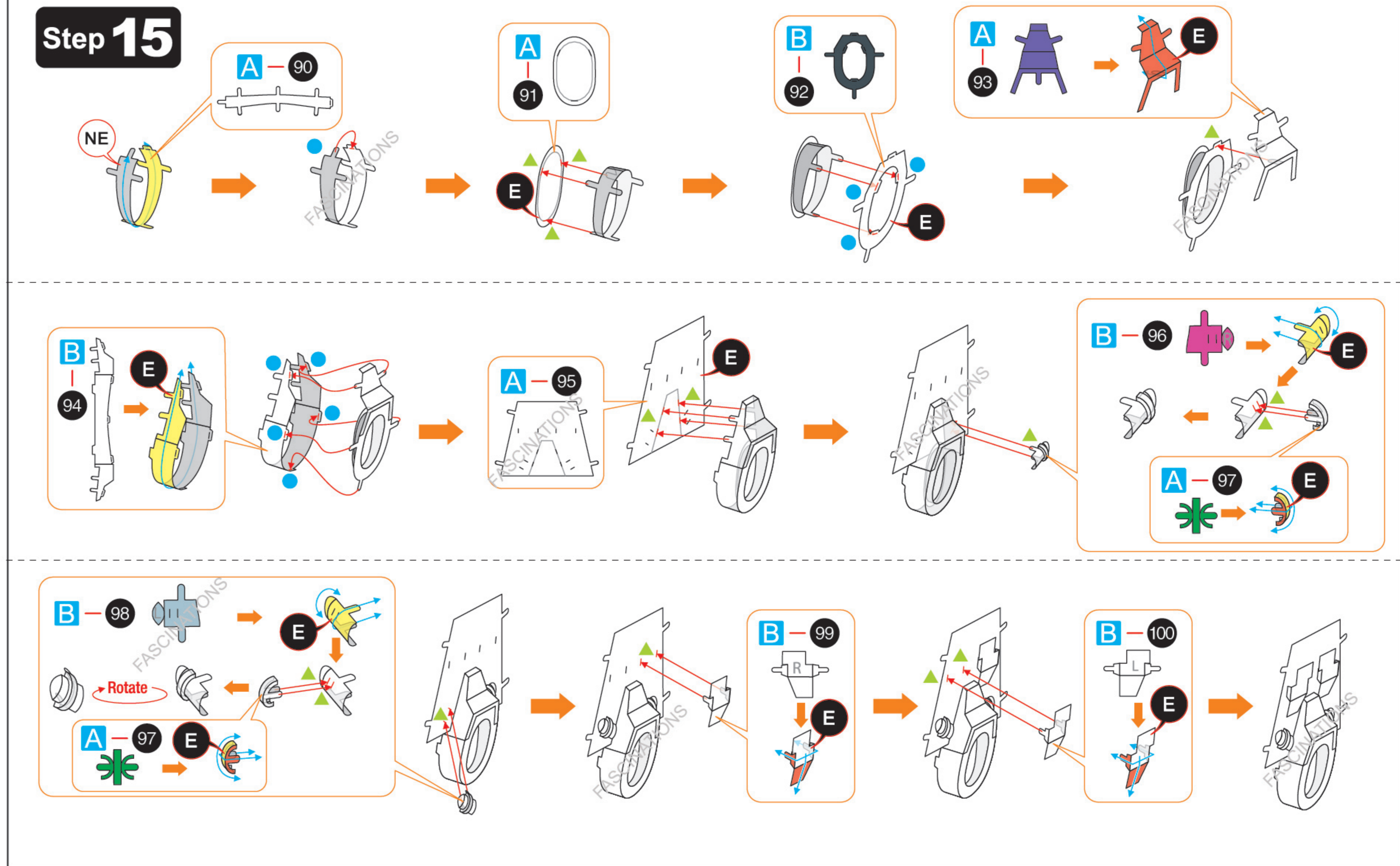
Step 13



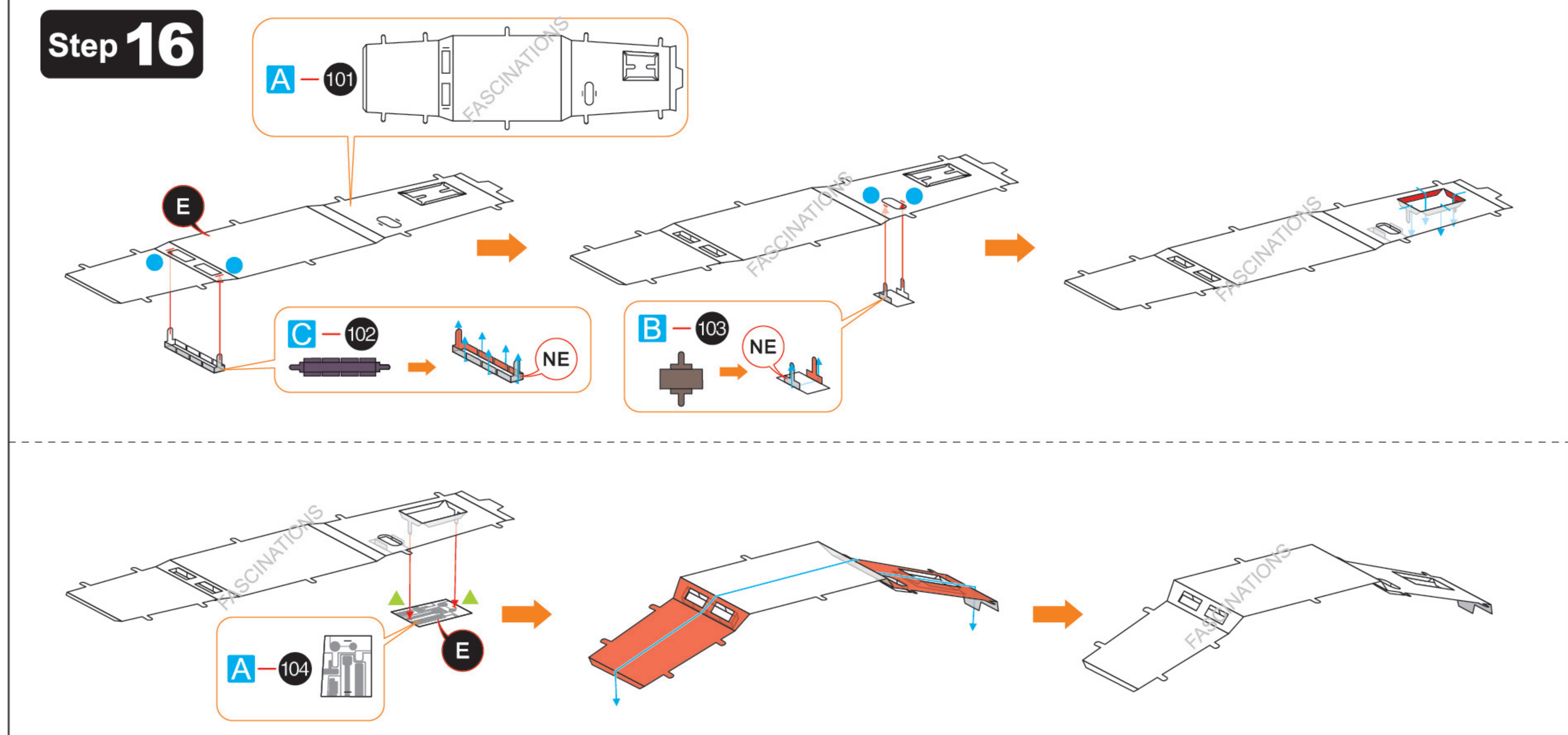
Step 14



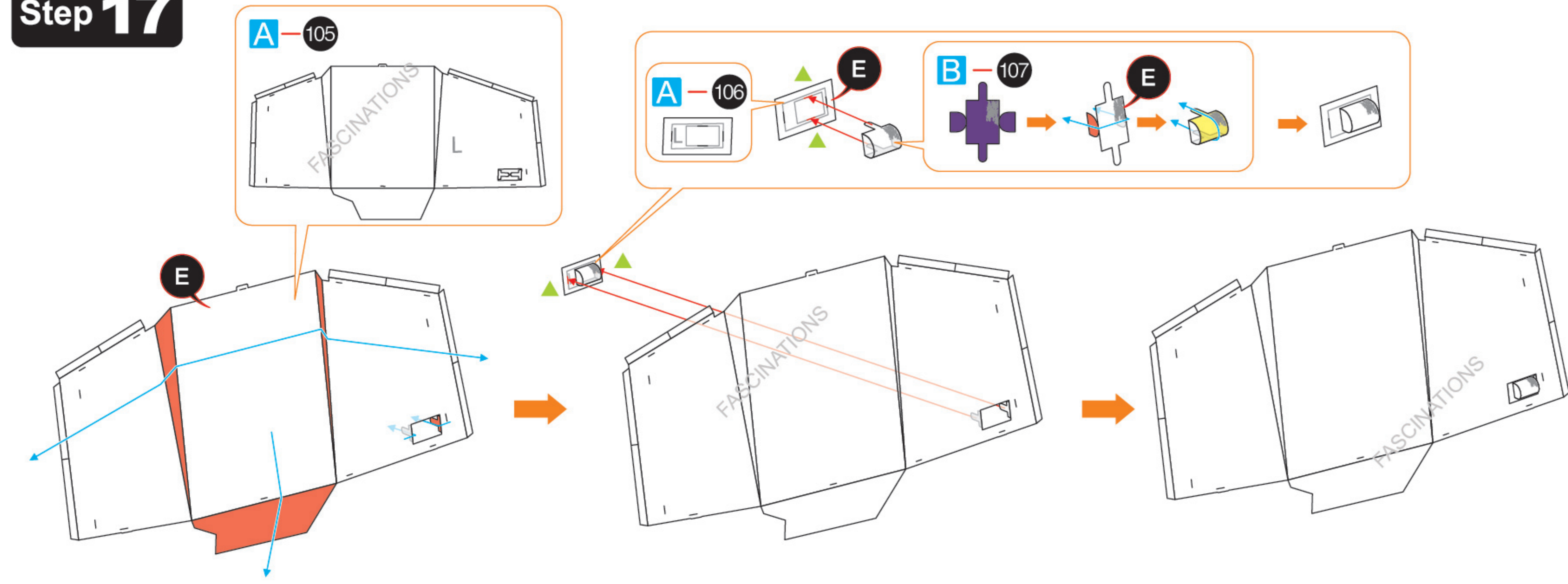
Step 15



Step 16



Step 17



Step 18

