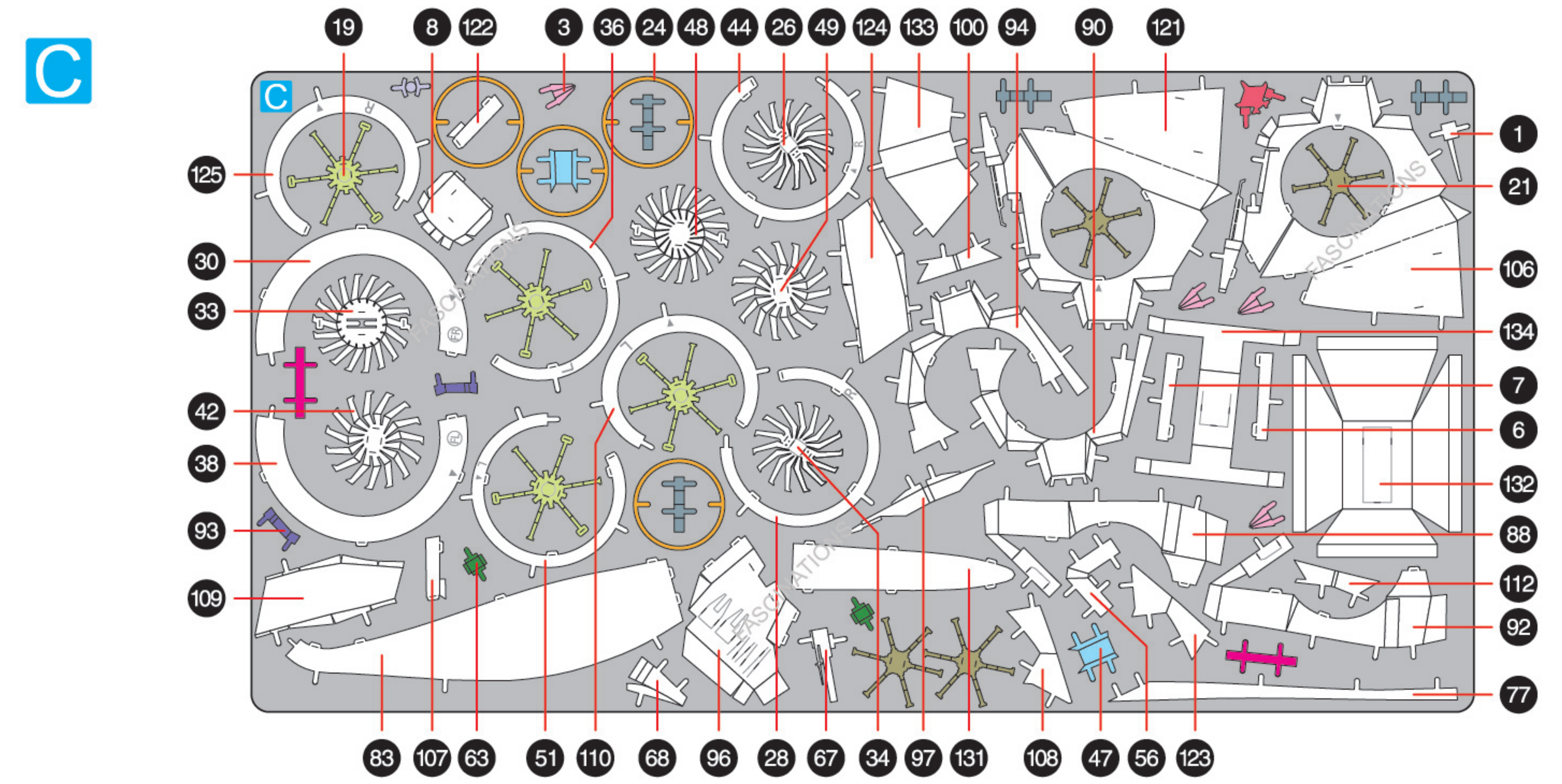
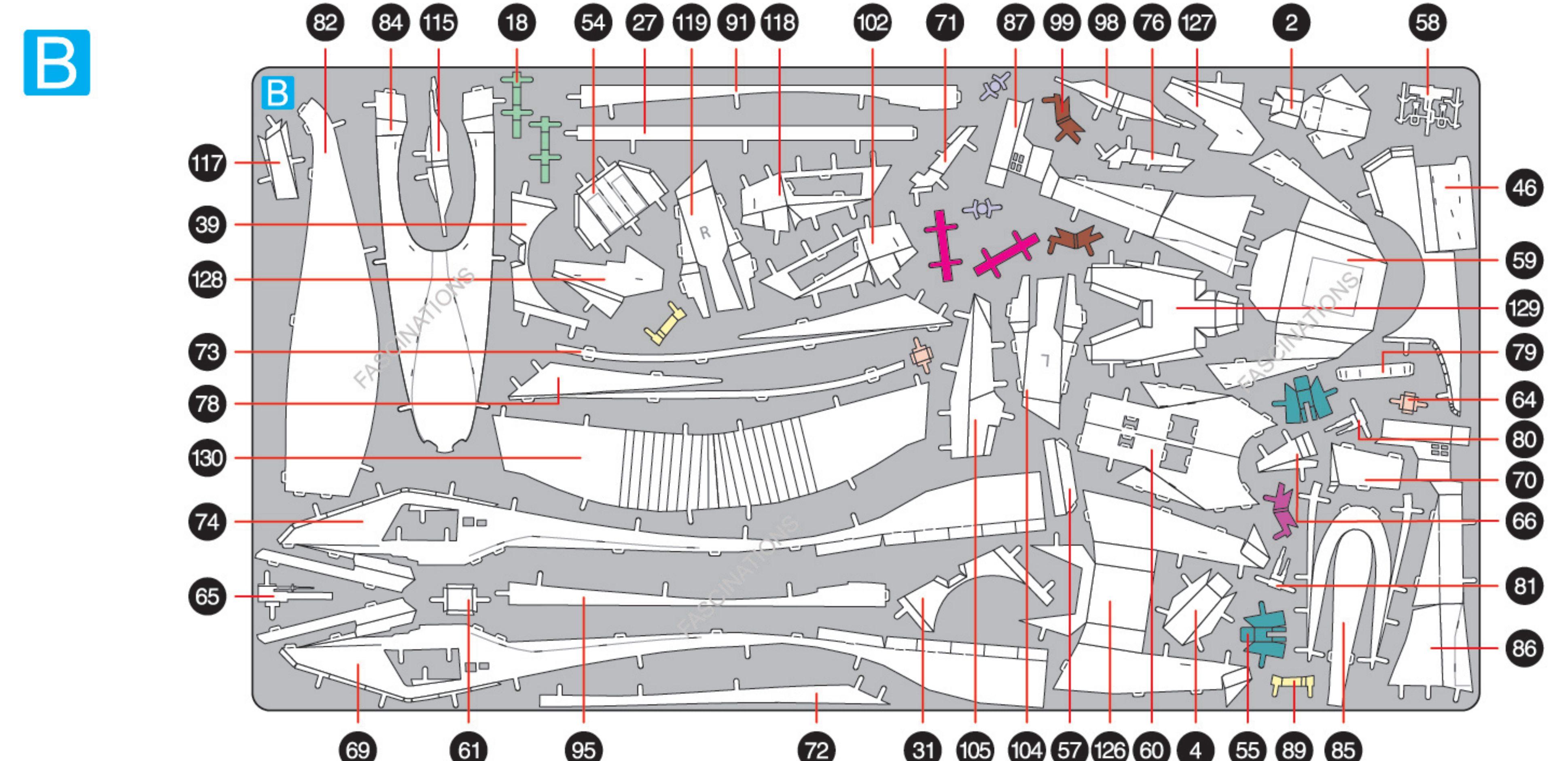
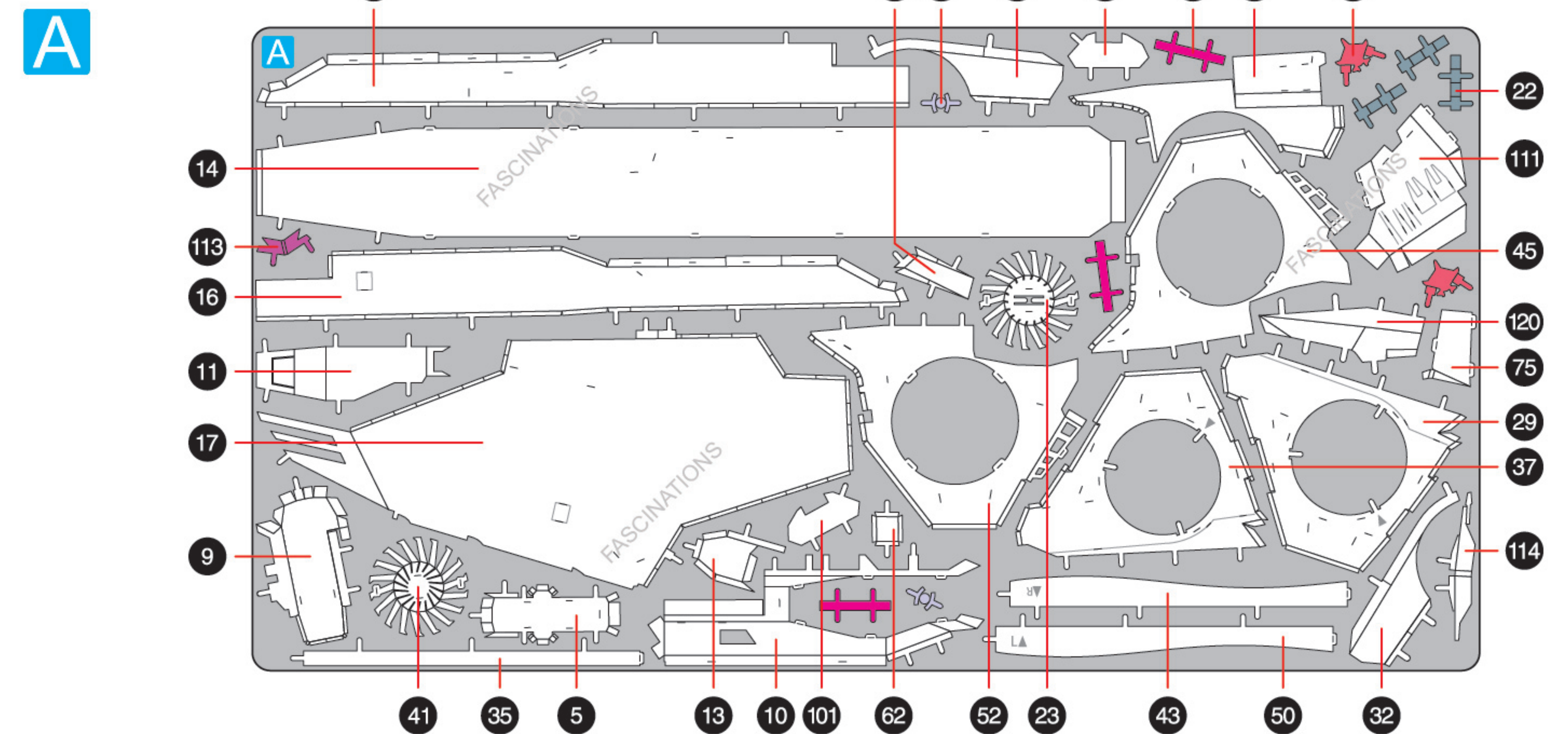


METAL SHEETS

Parts with same color are duplicates



Metal Earth

Premium Series

360° view



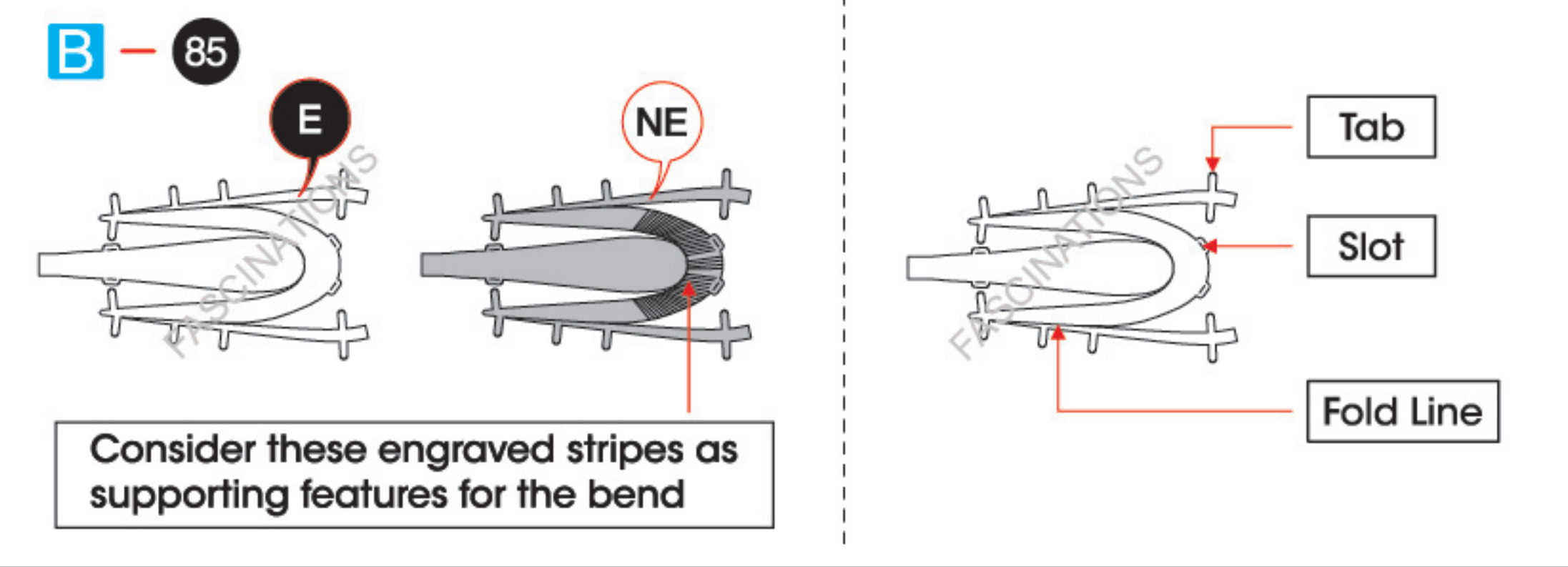
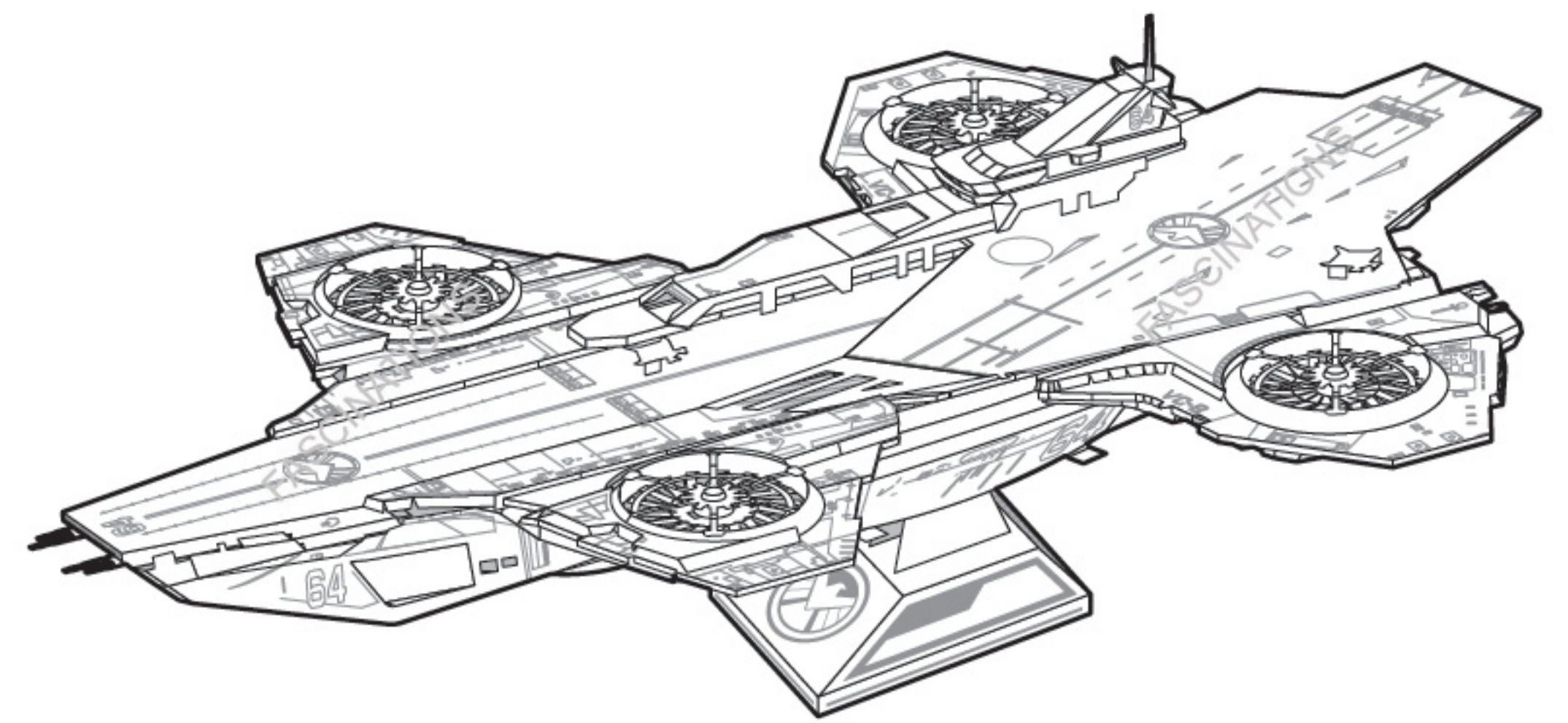
It is highly recommended that you visit www.metalearth.com/360/ICX245 to see the completed model before assembling your own



© MARVEL

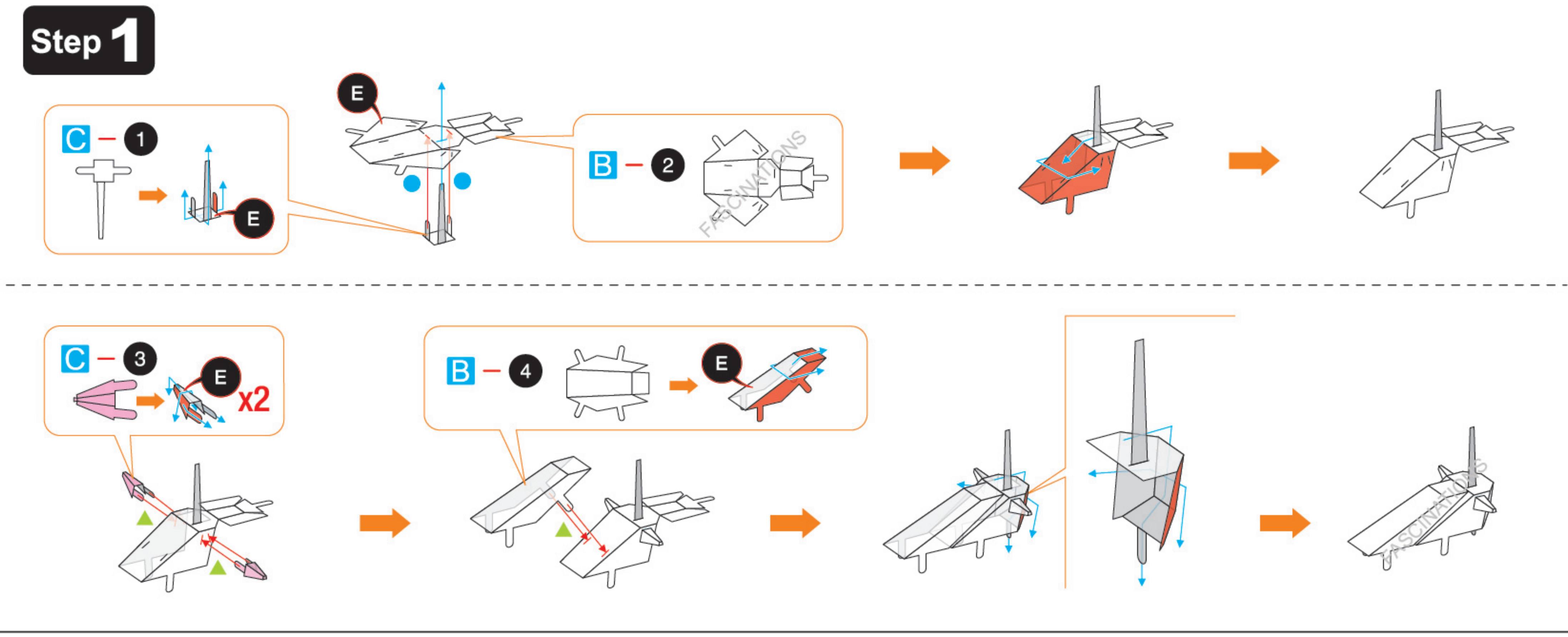
ICX245 HELICARRIER

TO CREATE THE BEST CONNECTIONS



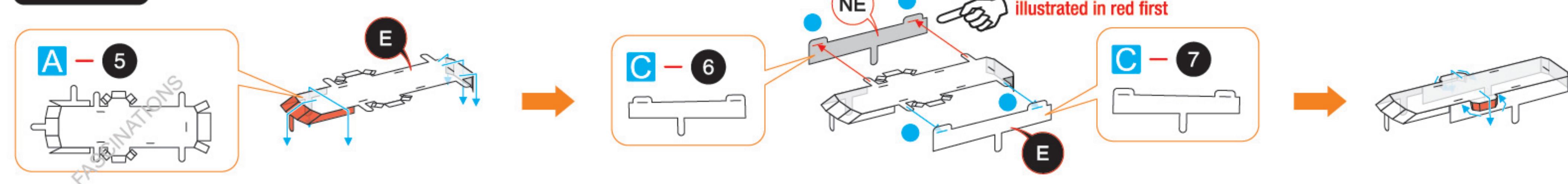
- Legends:**
- E** Engraved/ Color side
 - NE** Non - engraved/ Silver side
 - Hand icon** Attention point
 - Blue circle** Insert tab and bend 90 degrees
 - Green triangle** Insert tab and twist 90 degrees
- Recommended tools:**
- Wire cutters: helpful for taking parts from the metal sheets.
 - Tweezers or needle nose pliers: helpful for folding parts, bending and twisting tabs.
- Assembly tip:**
- Yellow areas should be curled
 - Red areas should be folded

ASSEMBLY STEPS

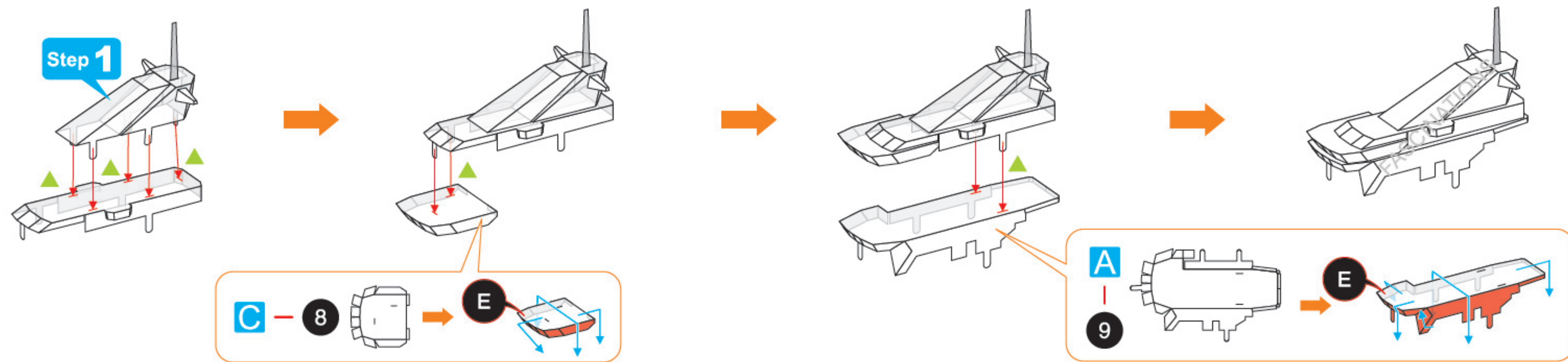


! In order to avoid possible injury from sharp edges, please carefully discard the metal sheets after parts have been removed.

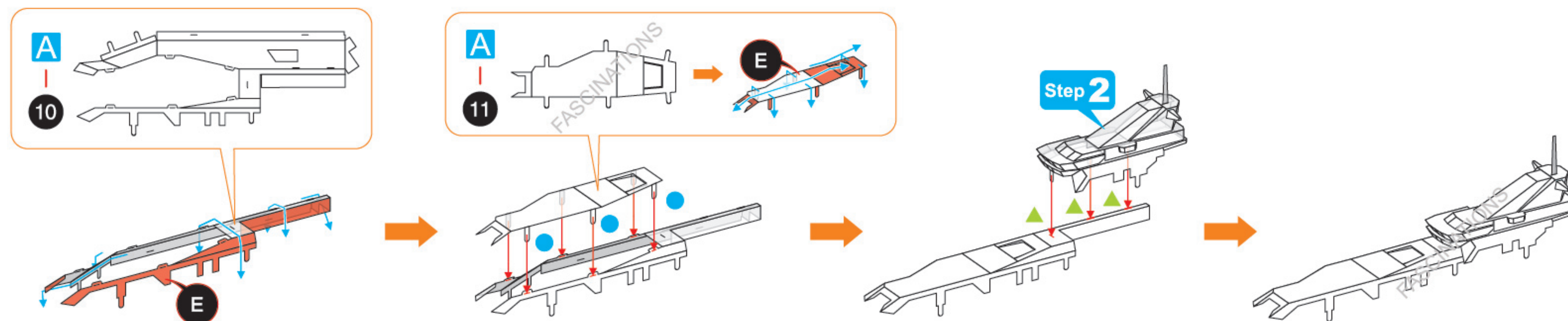
Step 2



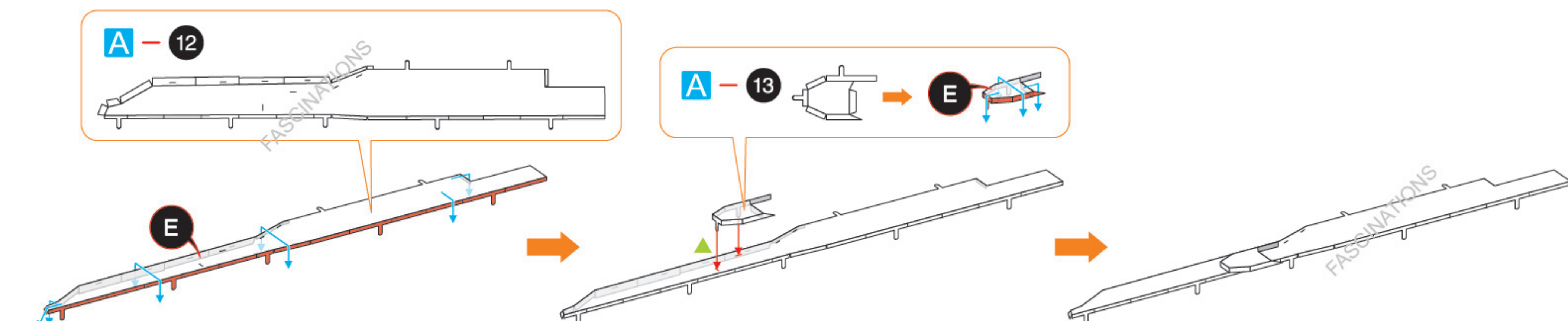
Step 1



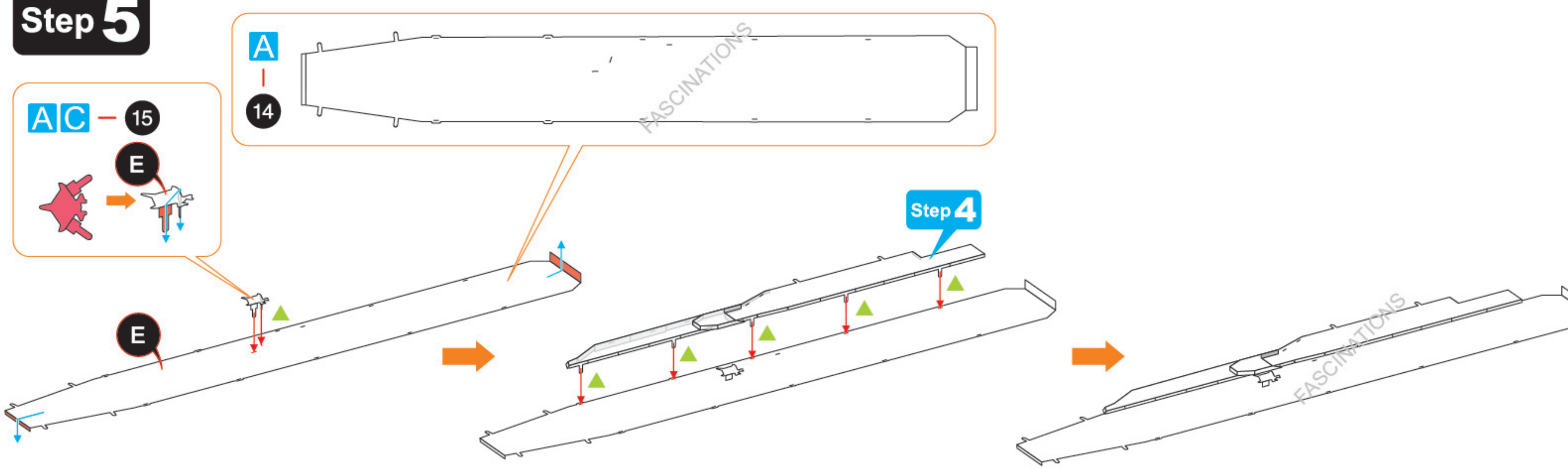
Step 3



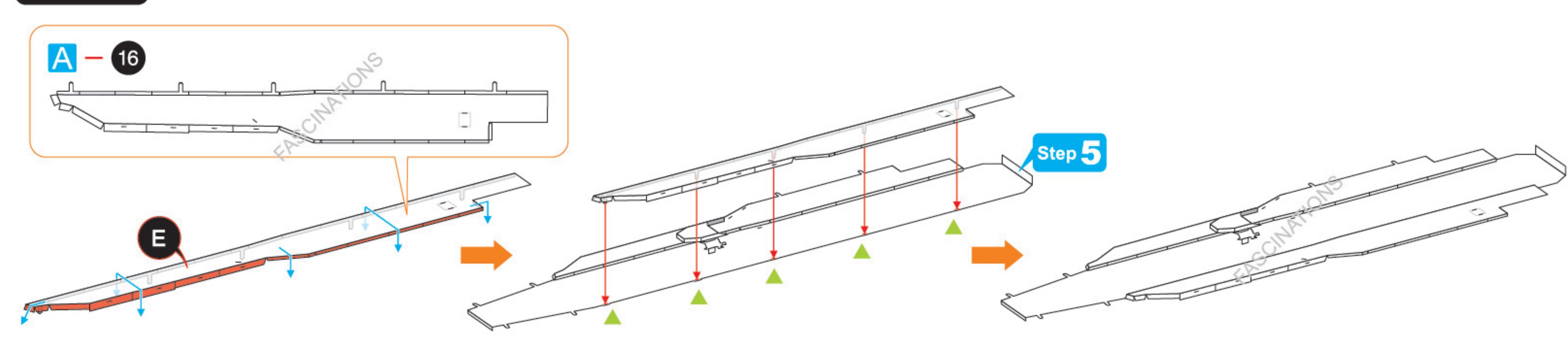
Step 4



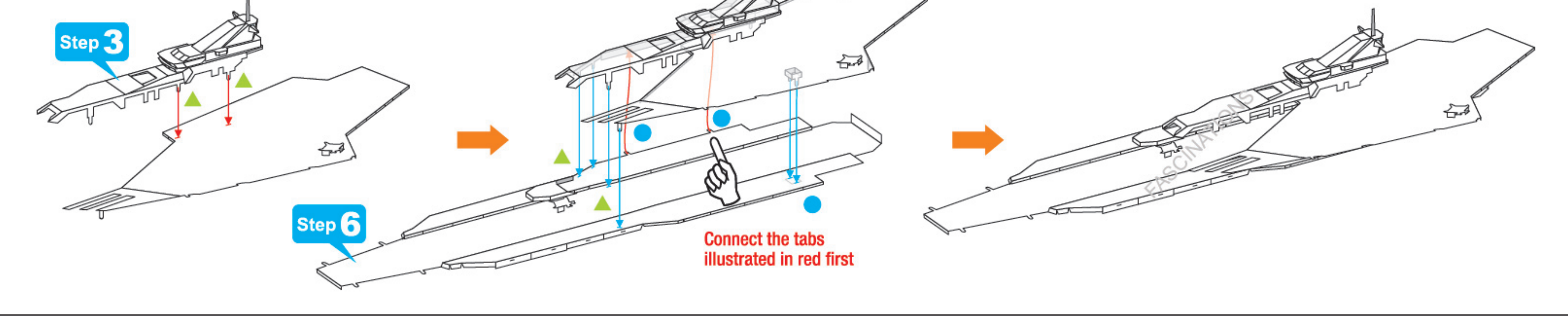
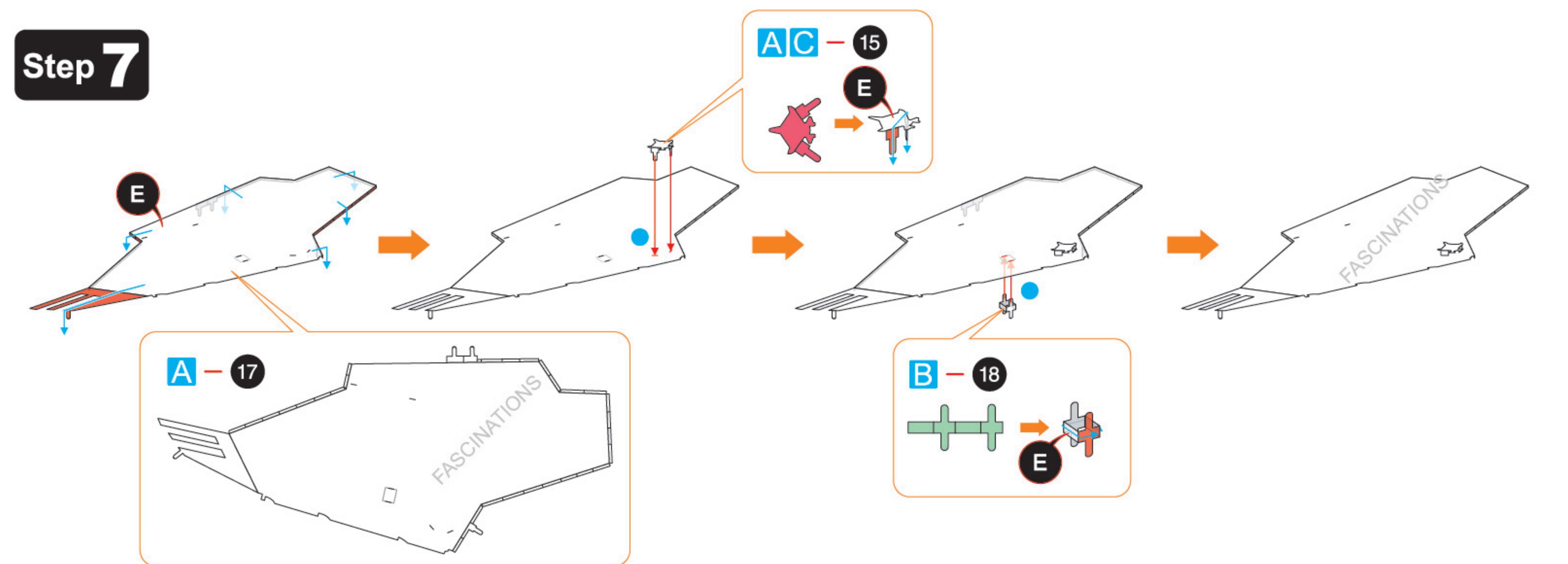
Step 5



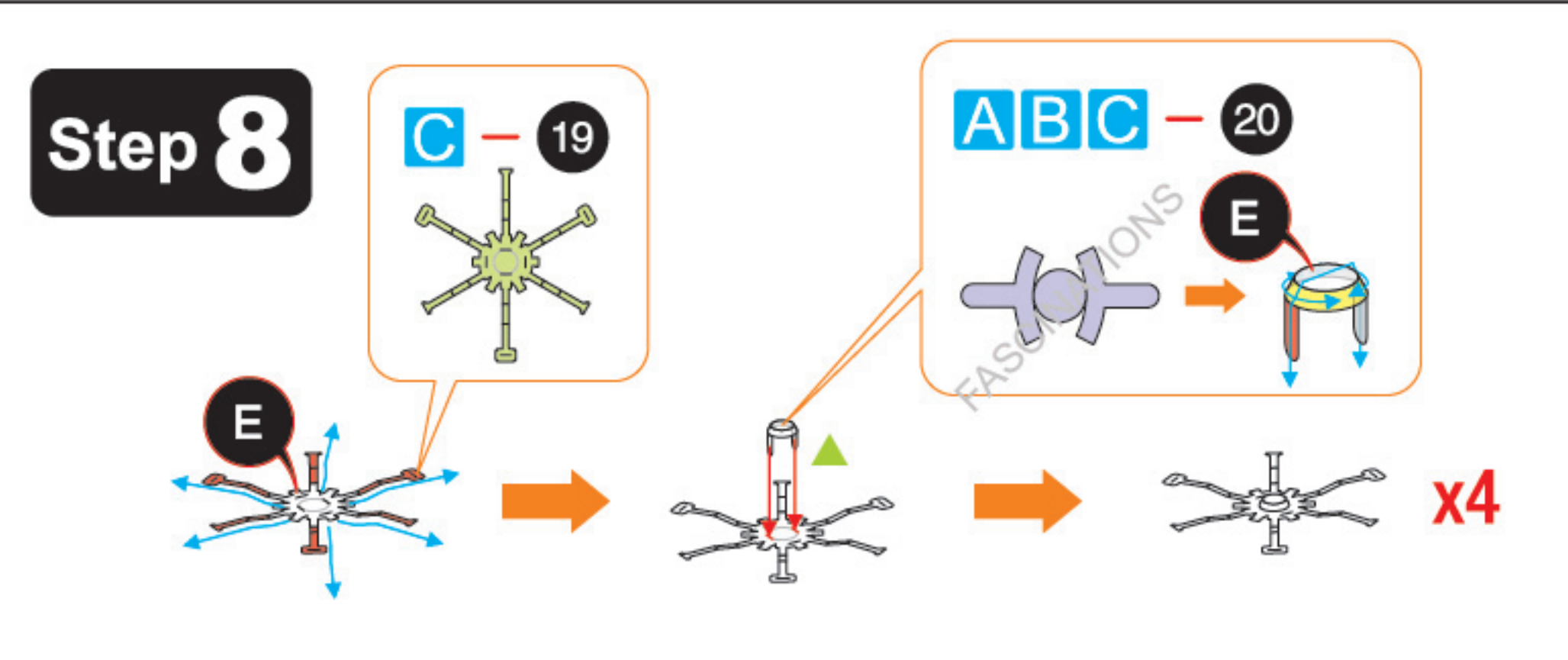
Step 6



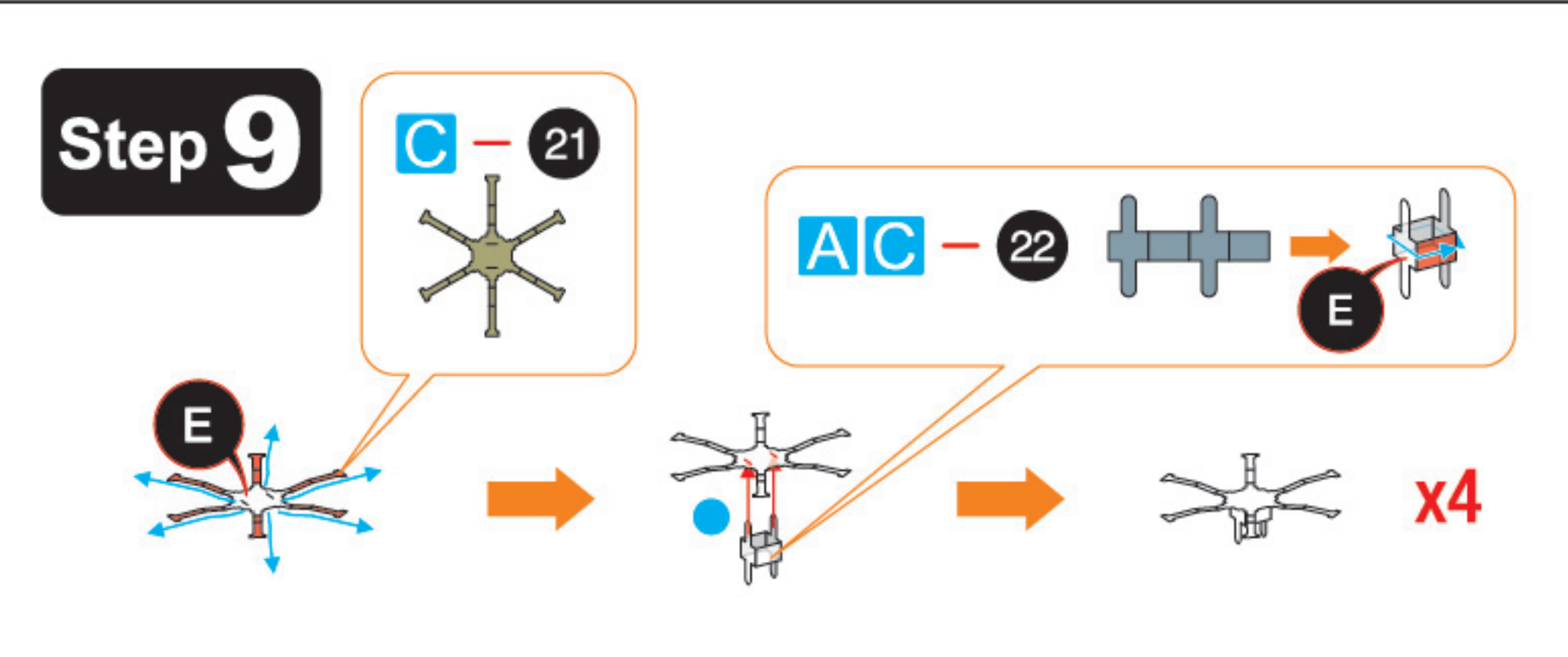
Step 7



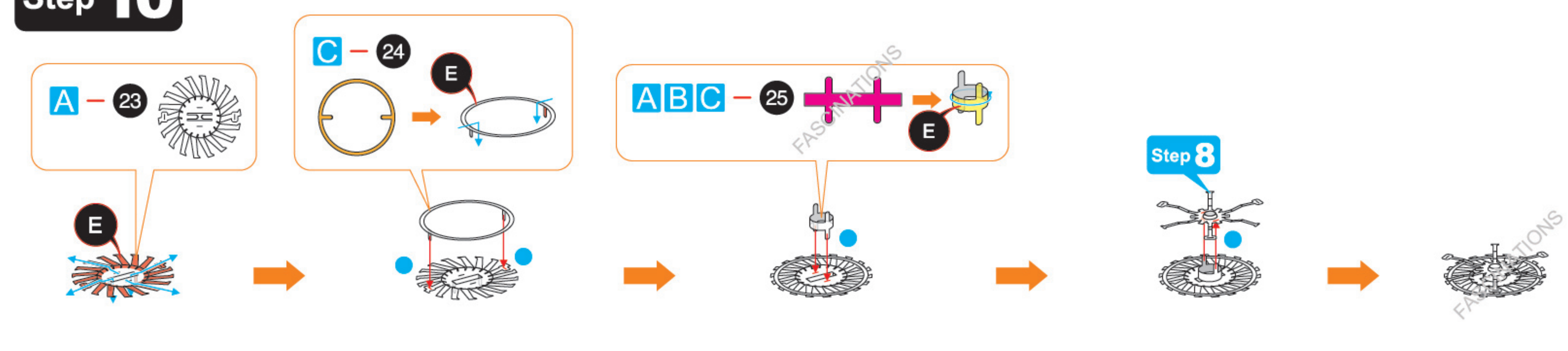
Step 8



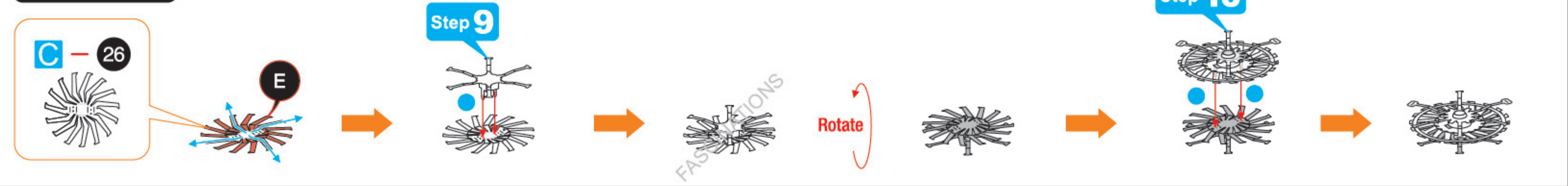
Step 9



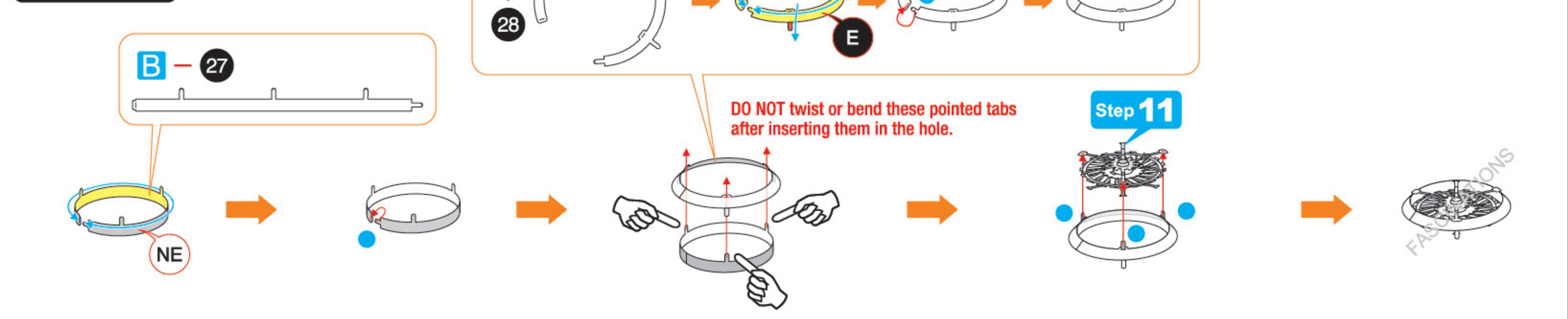
Step 10



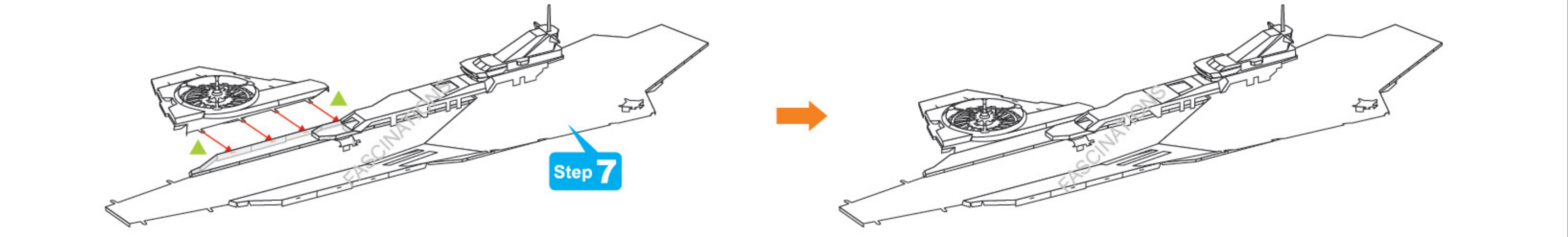
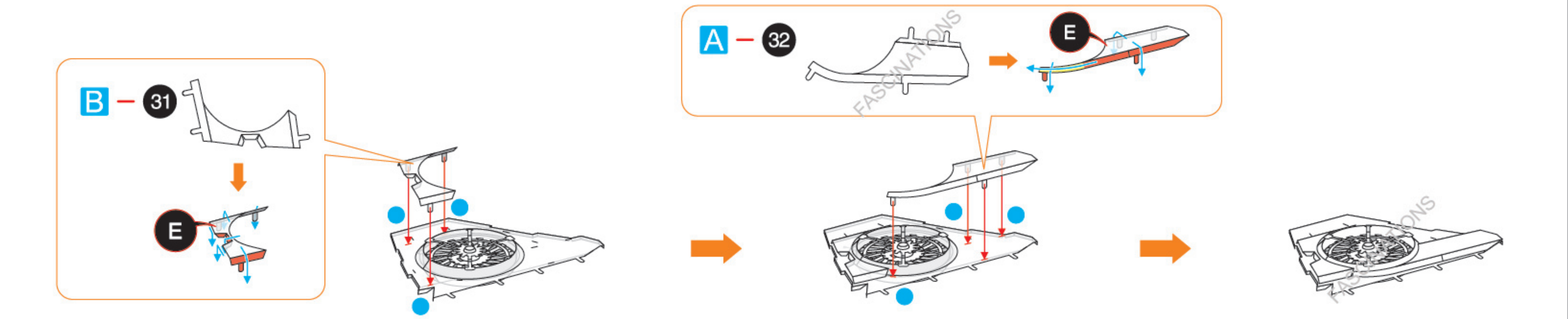
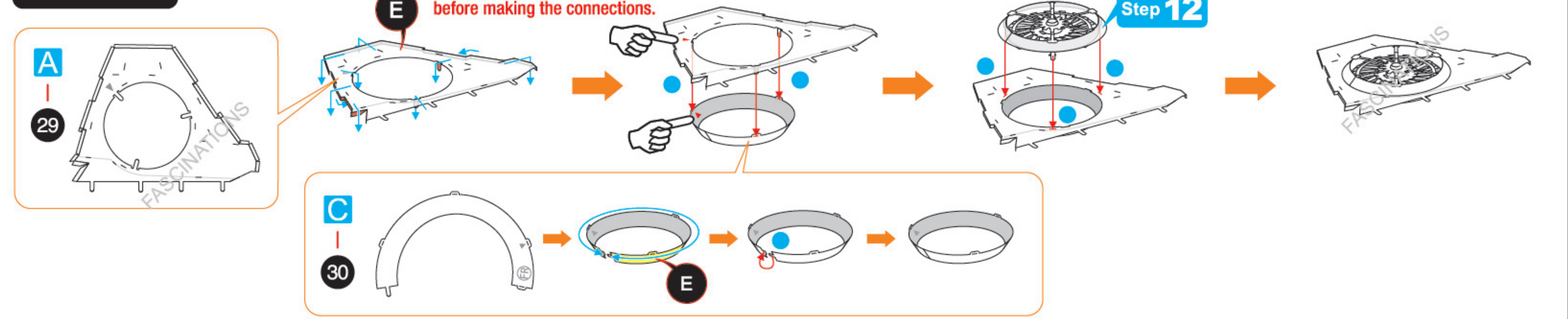
Step 11



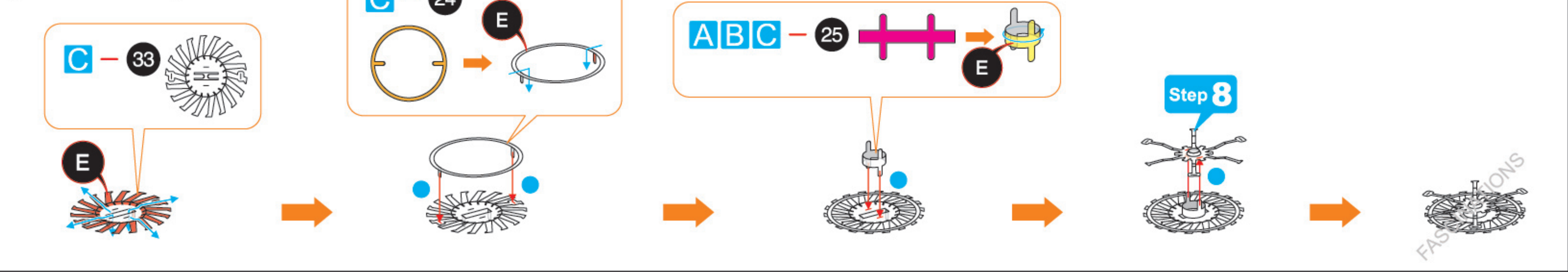
Step 12



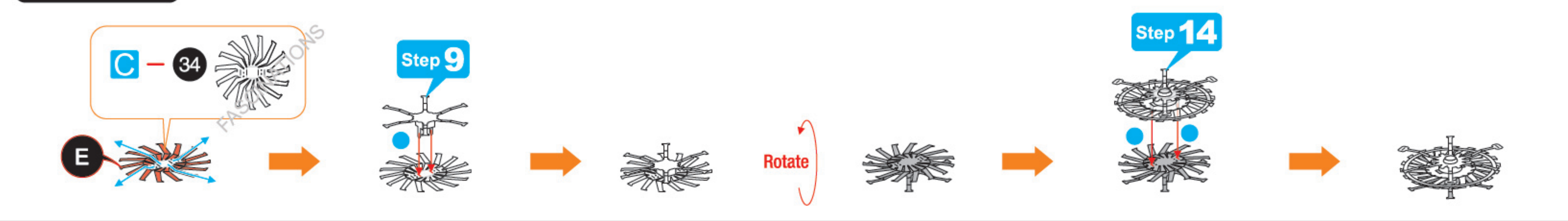
Step 13



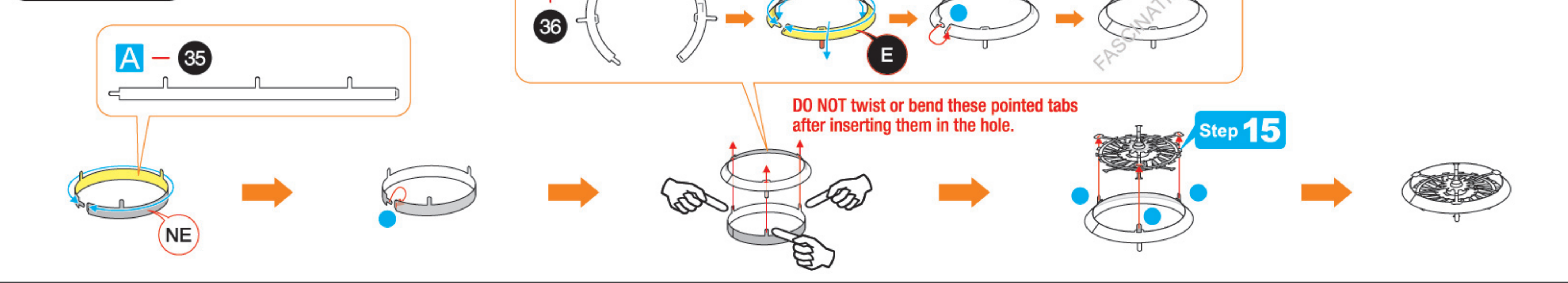
Step 14



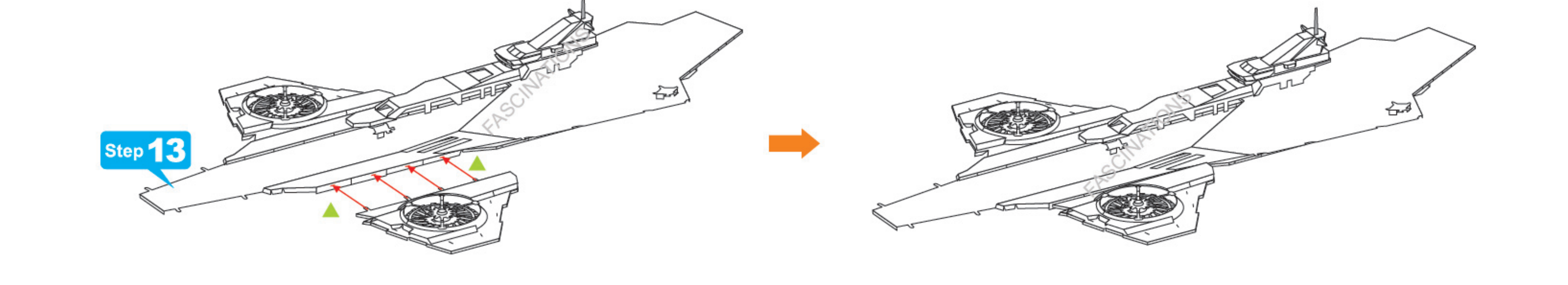
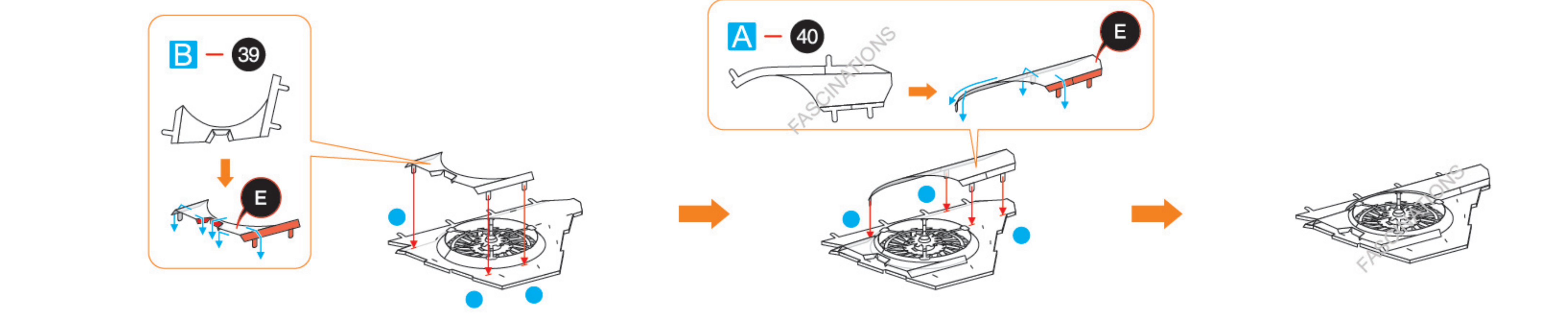
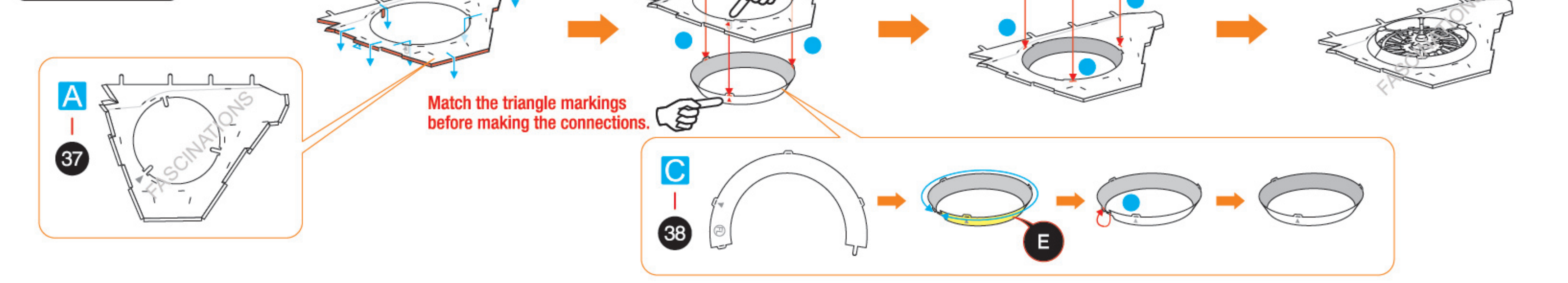
Step 15



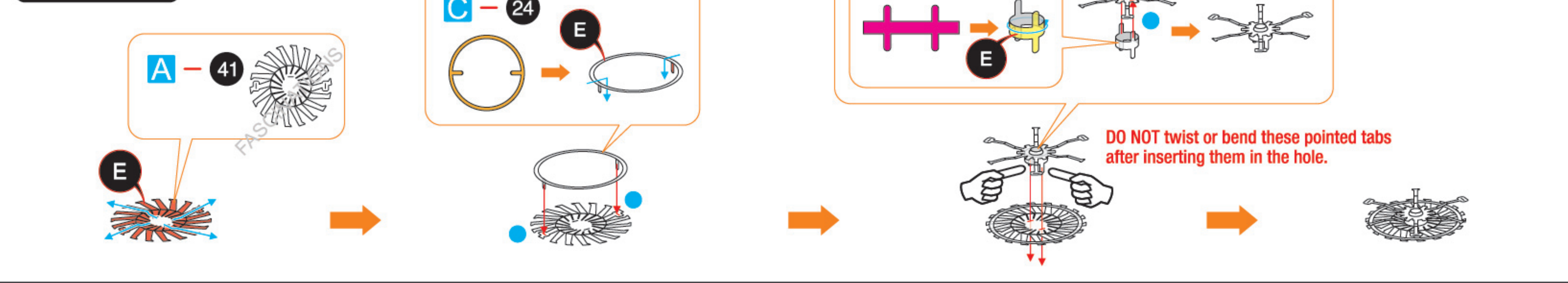
Step 16



Step 17



Step 18



Step 19

C - 42

Step 9

Step 18

Rotate

Step 20

A - 43

C - 44

Step 19

Match the triangle markings before making the connections.

Step 21

A - 45

B - 46

C - 47

Step 20

Step 22

C - 48

C - 24

Step 8

DO NOT twist or bend these pointed tabs after inserting them in the hole.

Step 23

C - 49

Step 9

Step 22

Rotate

Step 24

A - 50

C - 51

Step 23

Match the triangle markings before making the connections.

Step 25

A - 53

C - 47

Step 24

Step 26

B - 54

B - 55

C - 56

B - 55

B - 57

B - 58

B - 59

Step 27

B - 60

B - 61

A - 62

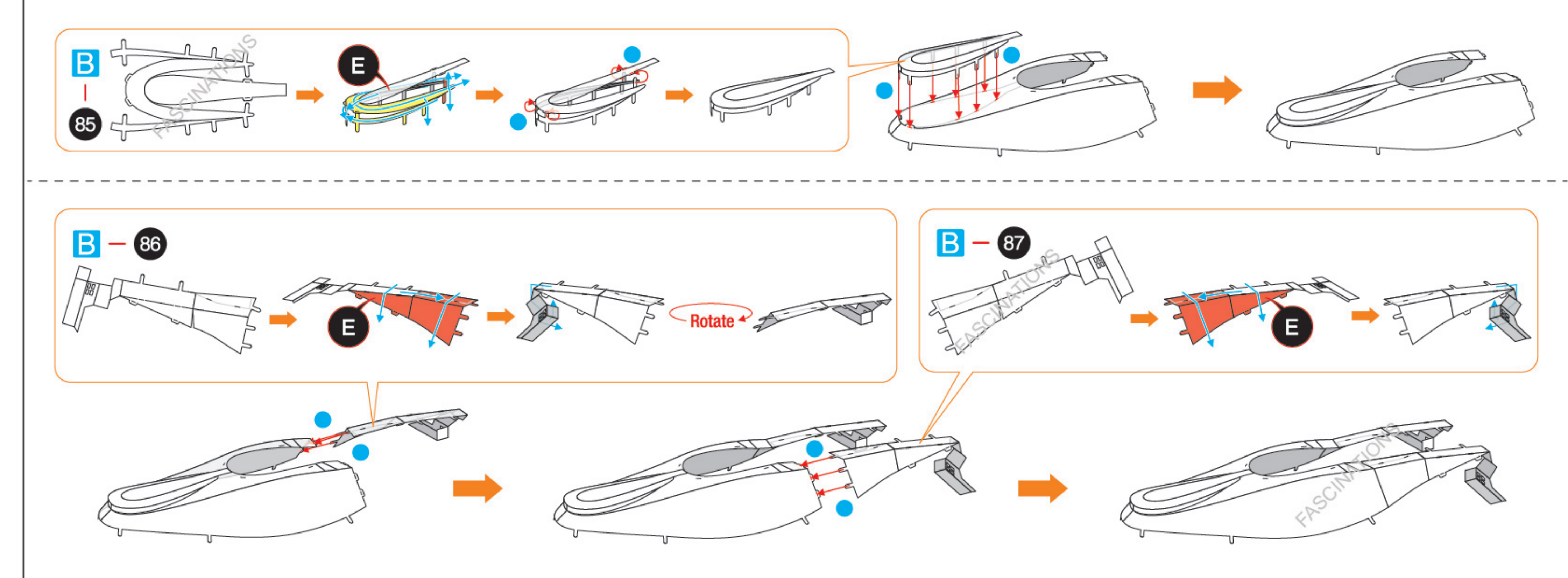
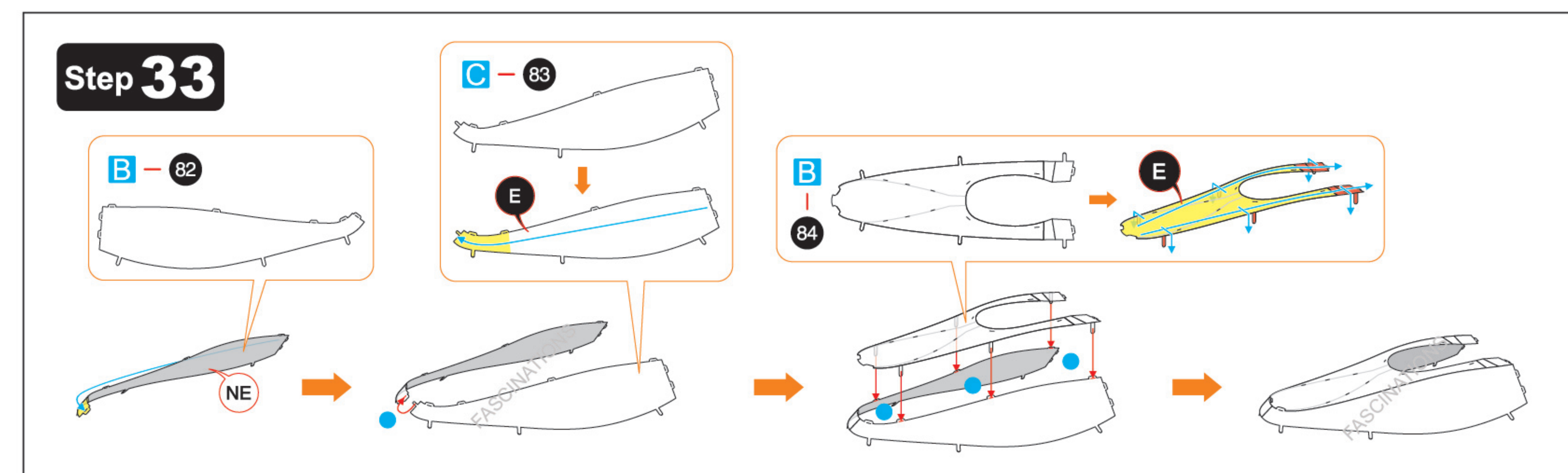
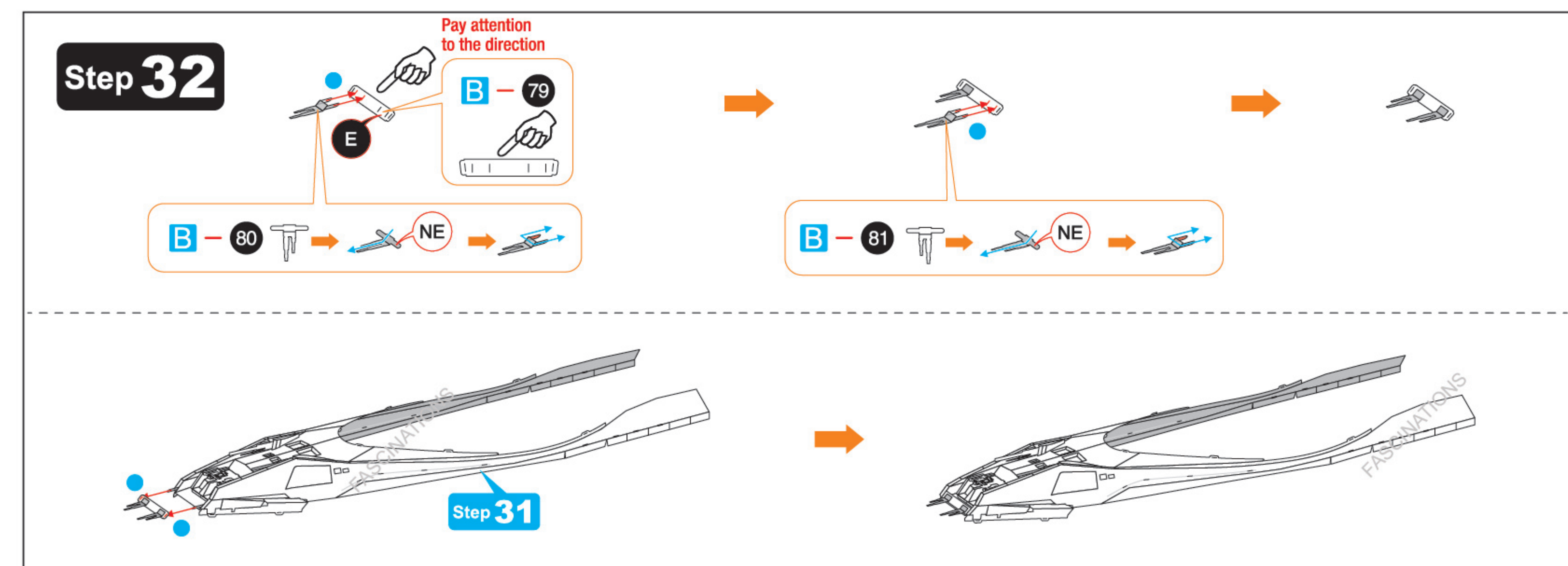
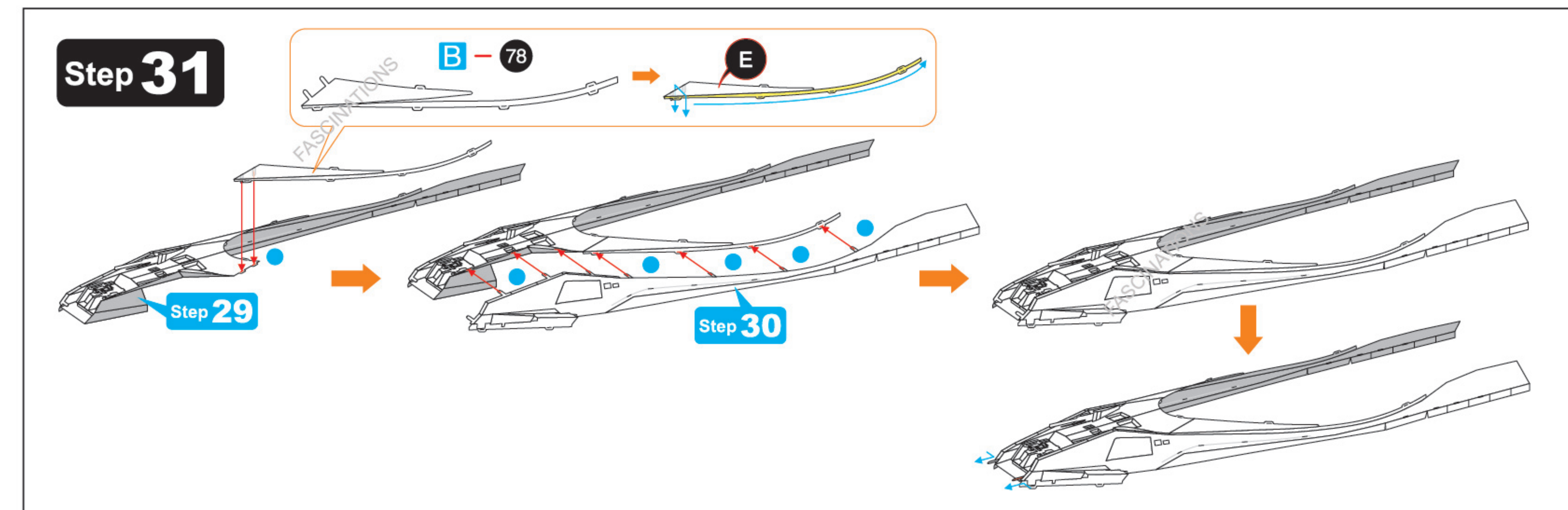
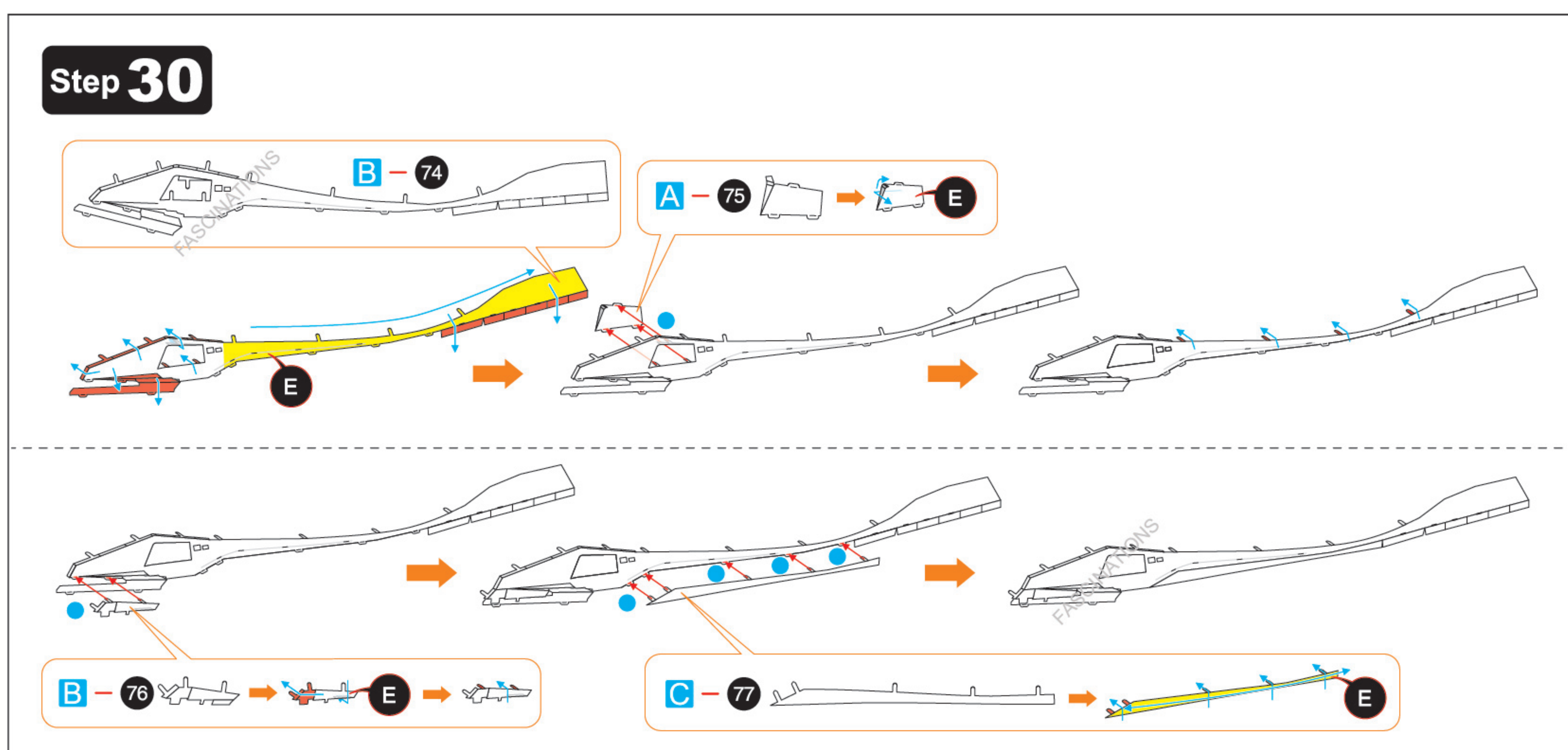
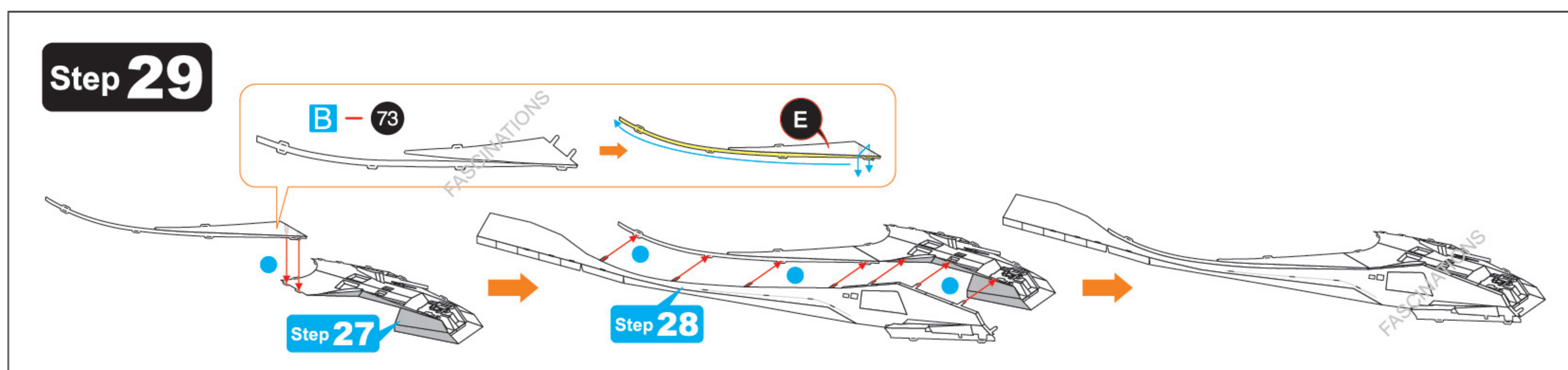
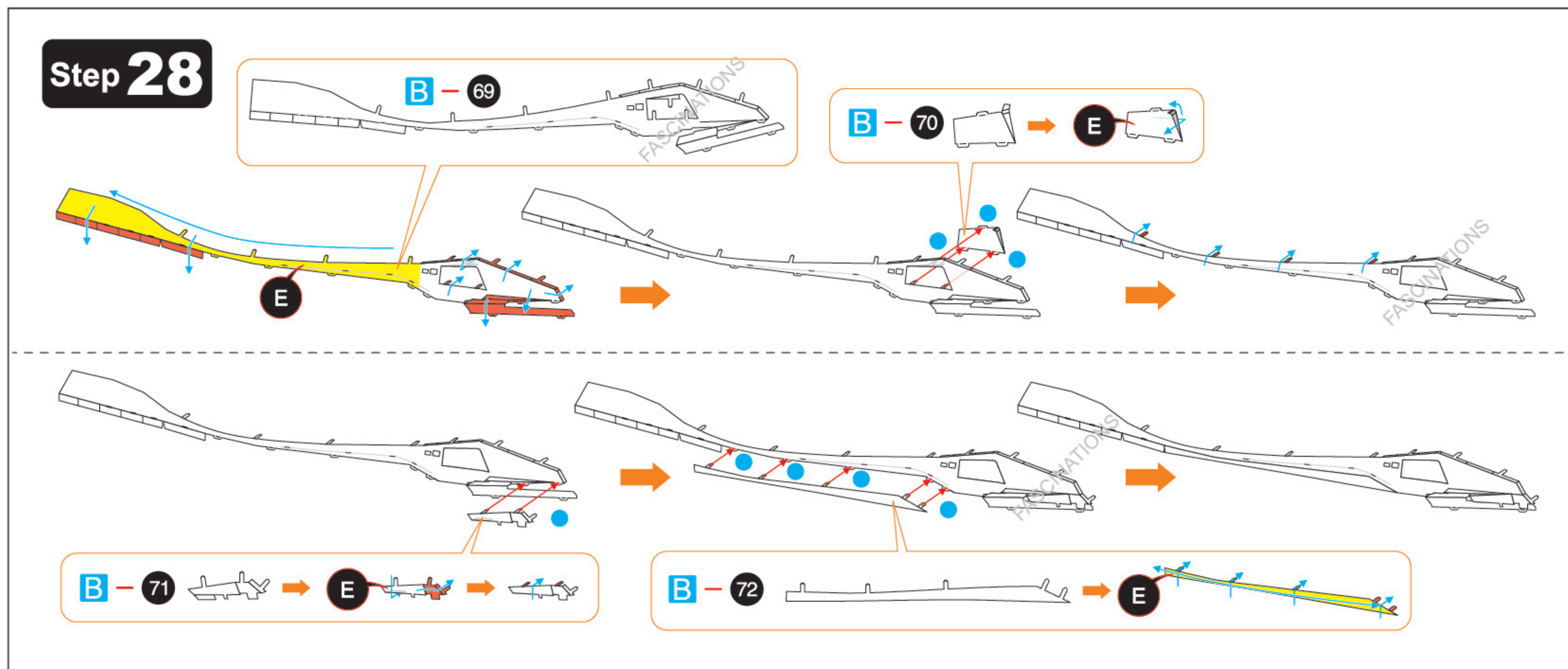
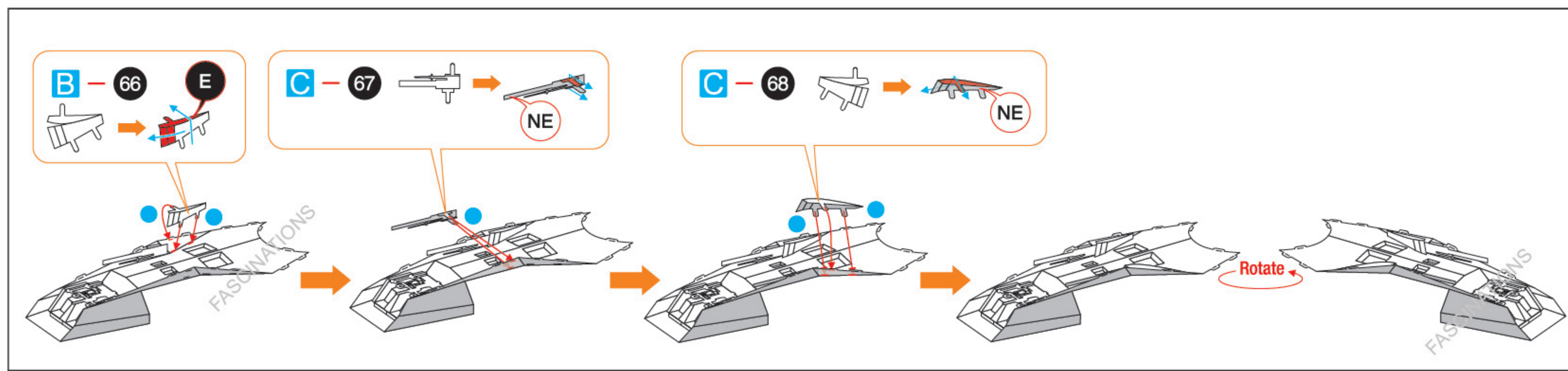
C - 63

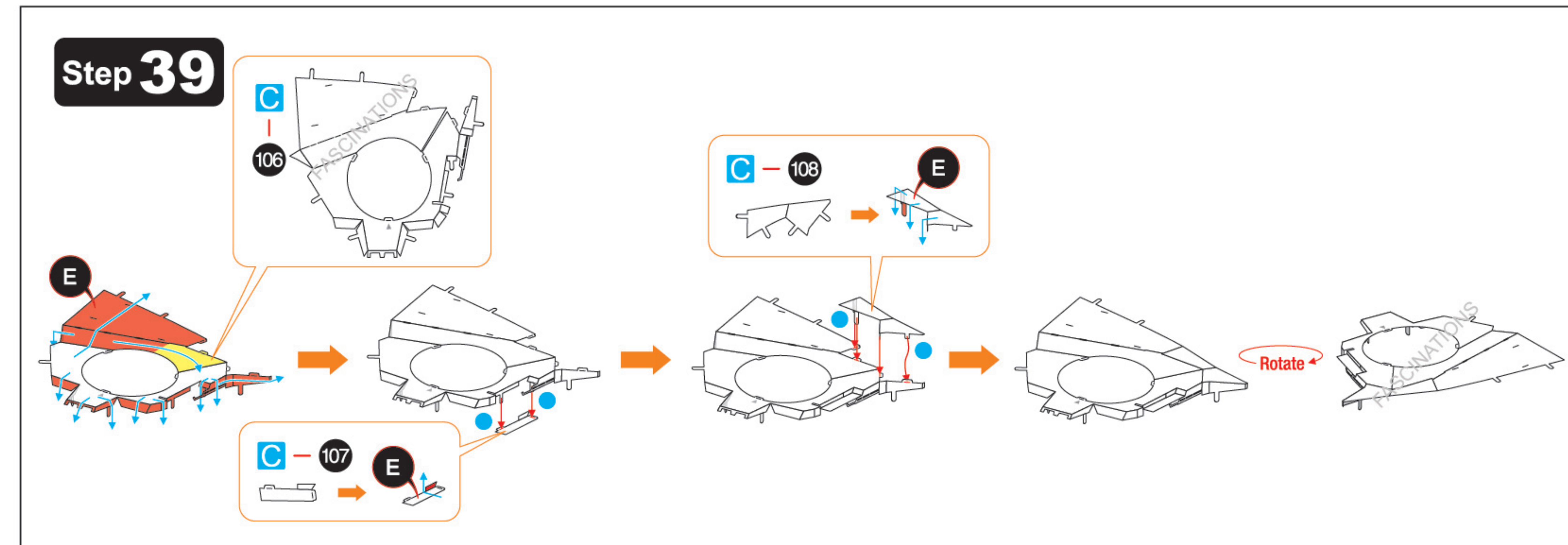
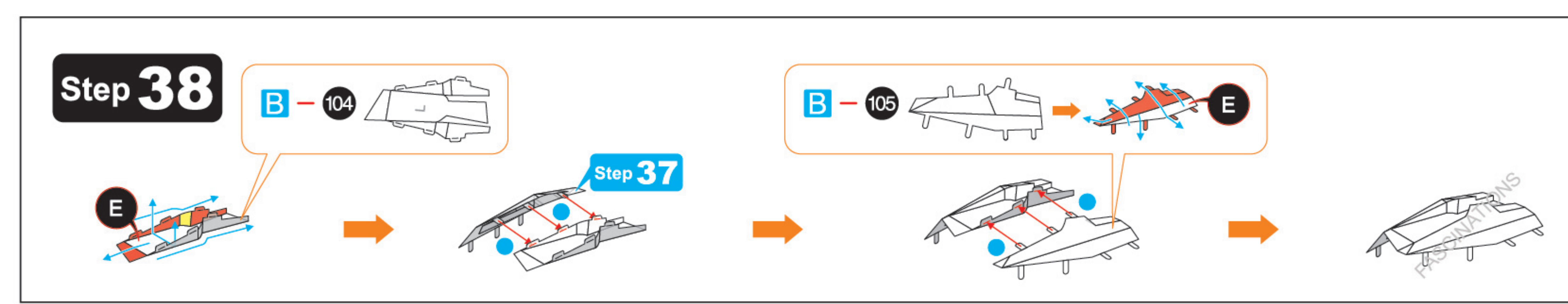
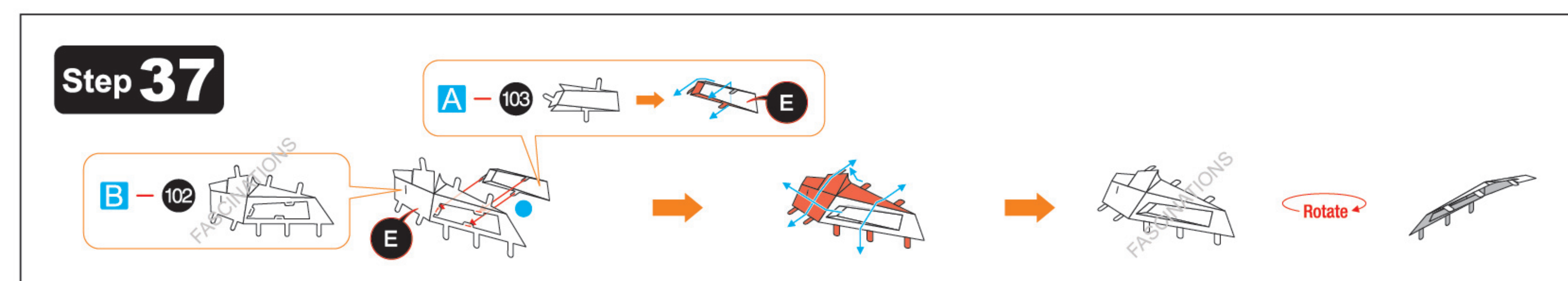
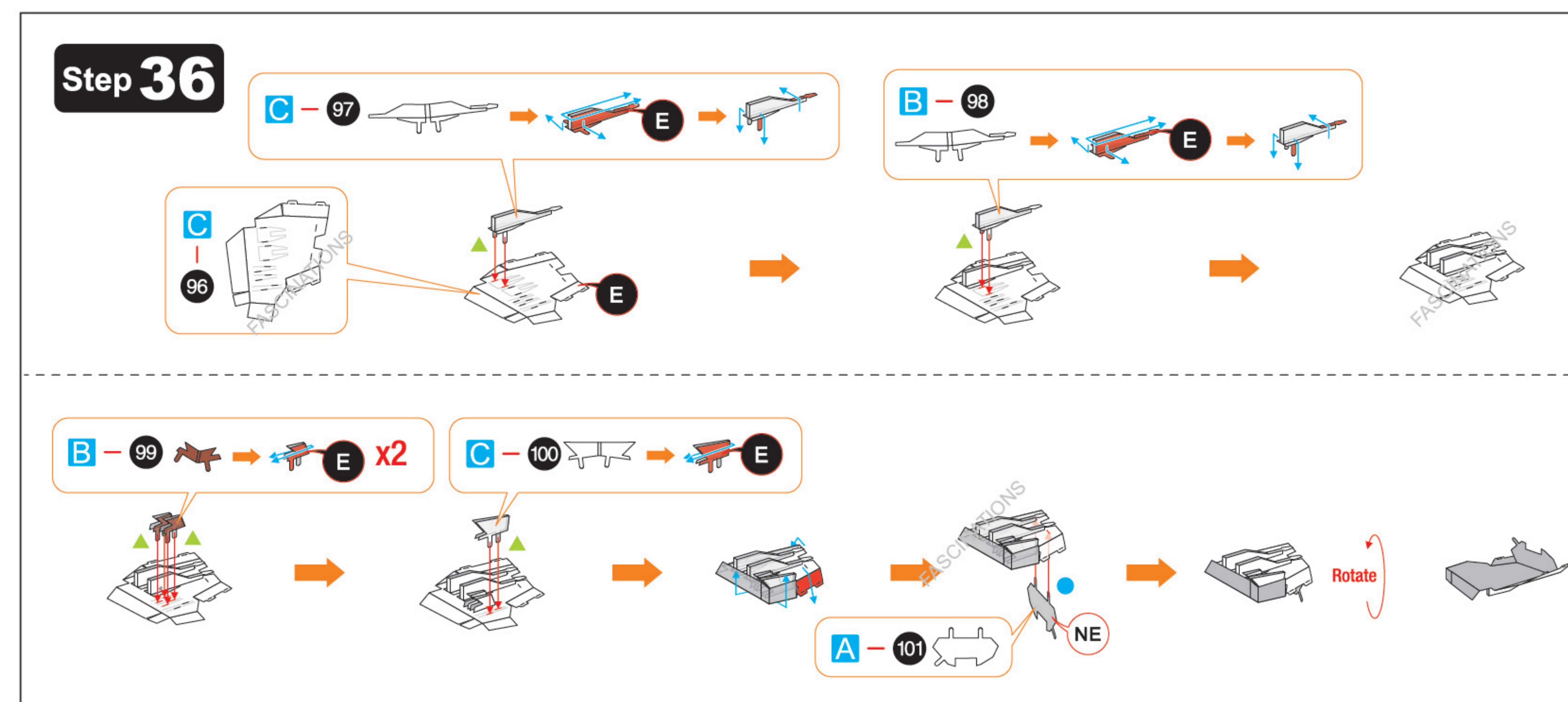
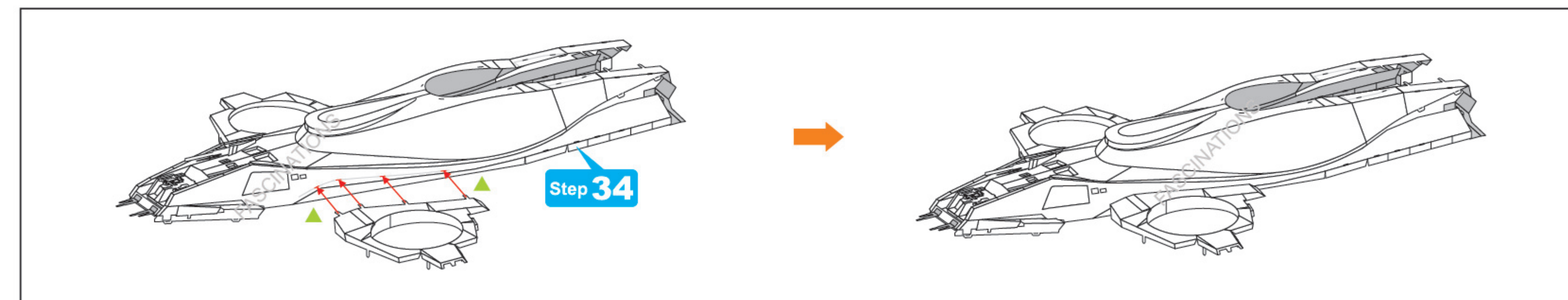
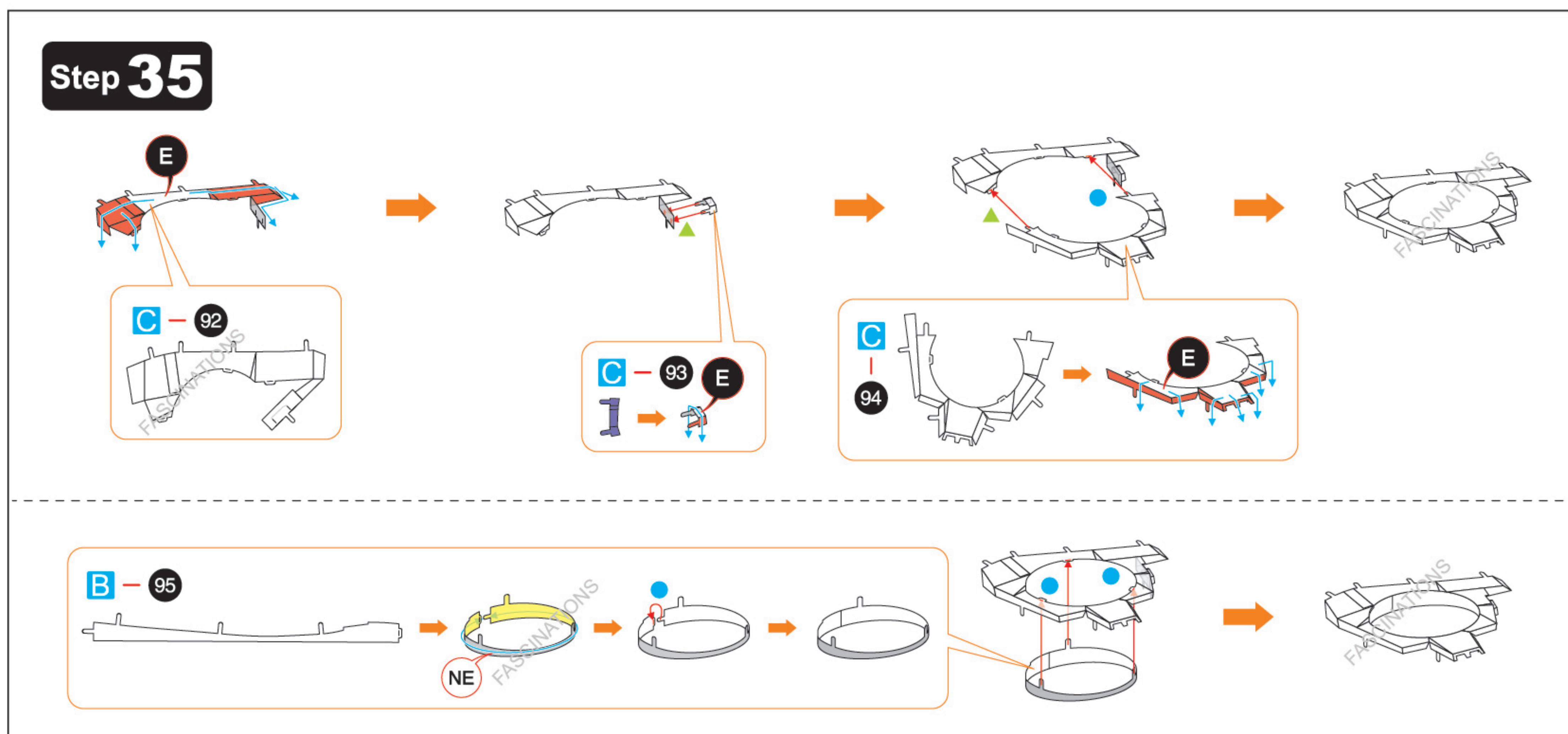
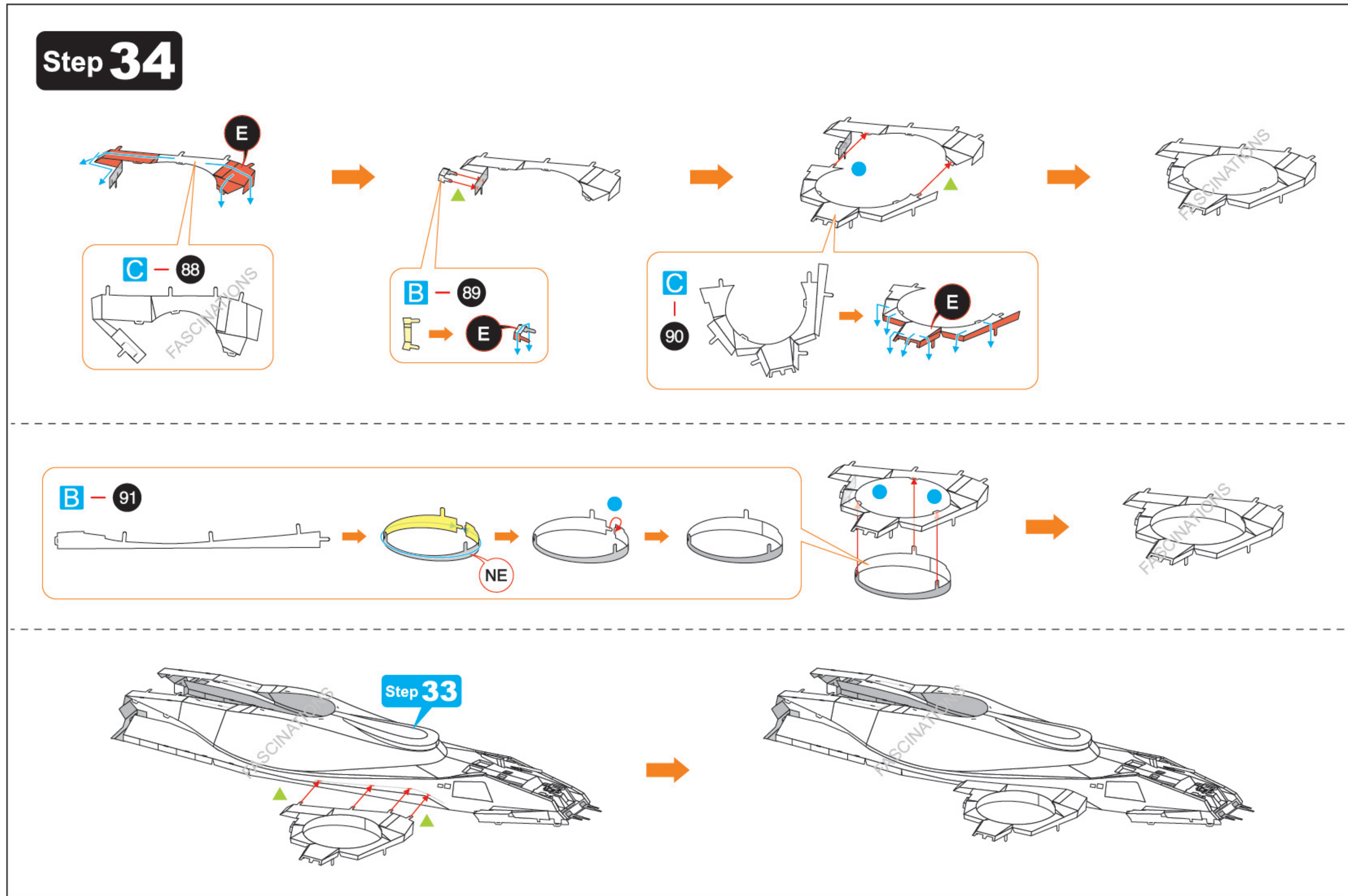
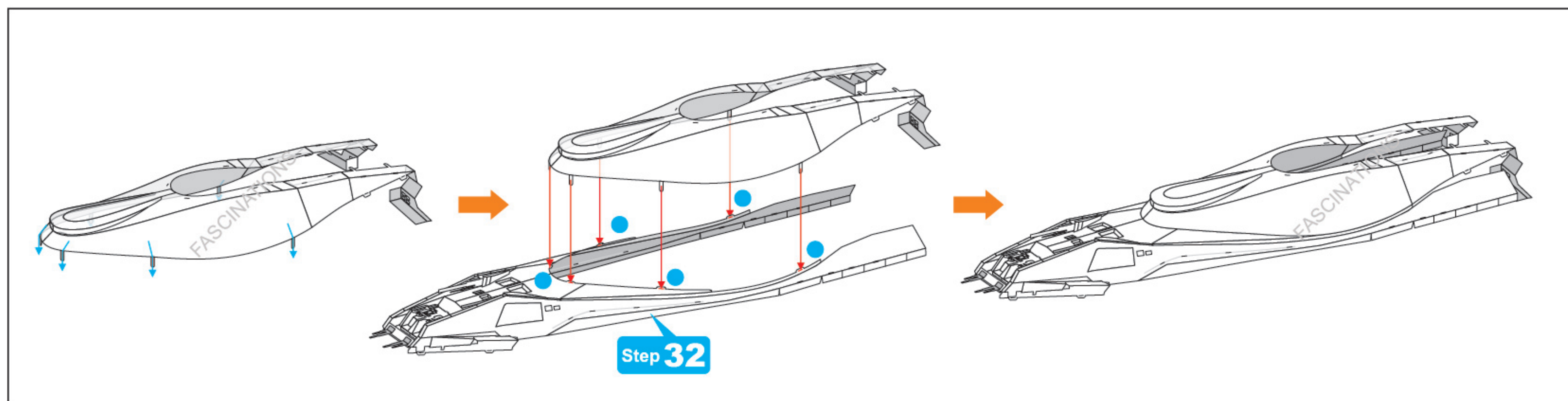
Step 26

Connect the tabs illustrated in red first

B - 64

B - 65





Step 35

Connect the tabs illustrated in red first

Step 36

Match the triangle markings before making the connections.

Step 38

Rotate

Step 40

A - 111 → **E**

C - 112 → **E**

AB - 113 → **E** x2

A - 114 → **E**

B - 115 → **E**

A - 116 → **NE**

Rotate

Step 41

B - 117 → **E**

B - 118 → **E**

Step 42

B - 119 → **E**

A - 120 → **E**

Rotate

Step 41

Step 43

C - 121 → **E**

C - 123 → **E**

C - 122 → **E**

Step 42

Connect the tabs illustrated in red first

Step 40

Step 39

Match the triangle markings before making the connections.

Connect the tabs illustrated in red first

Step 44

B - 126 → **NE**

Connect the tabs illustrated in red first

B - 127 → **NE**

B - 128 → **NE**

Connect the tabs illustrated in red first

