

SULTANA STEAMBOAT ME1019

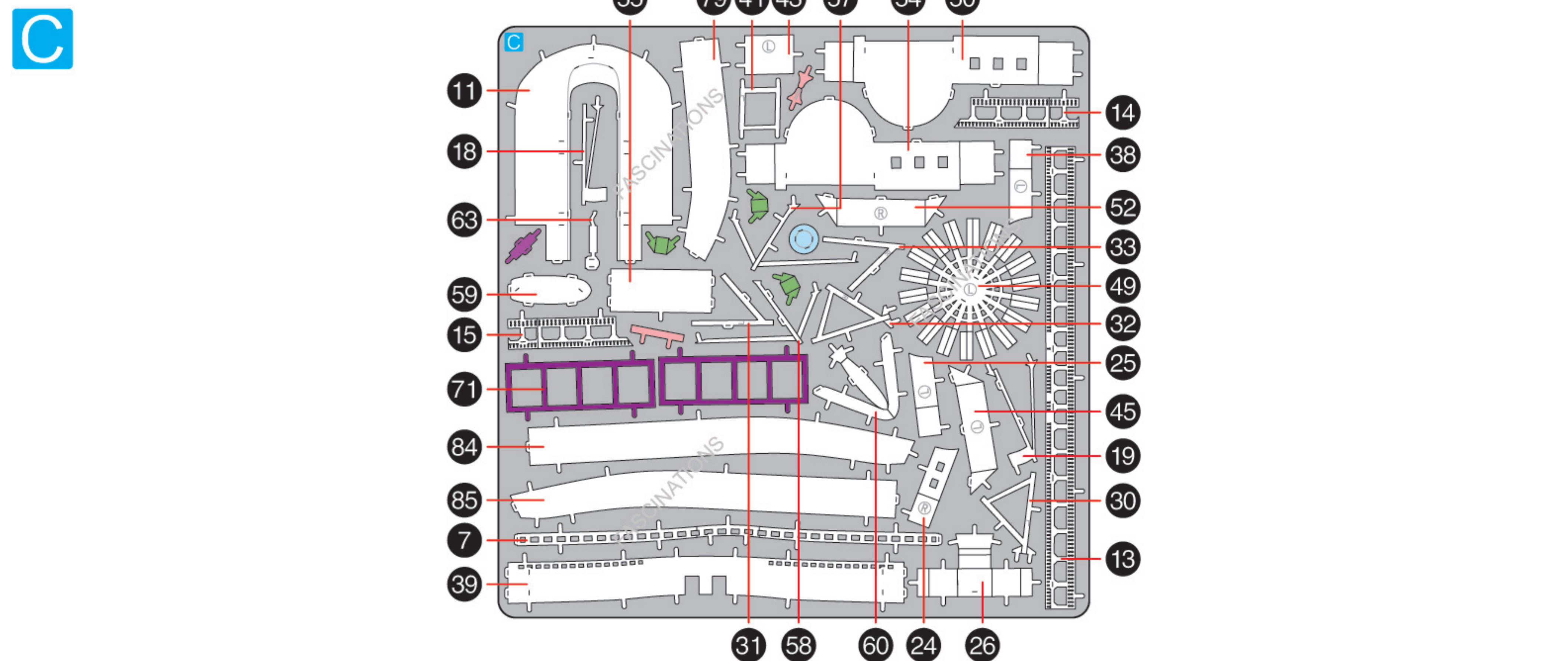
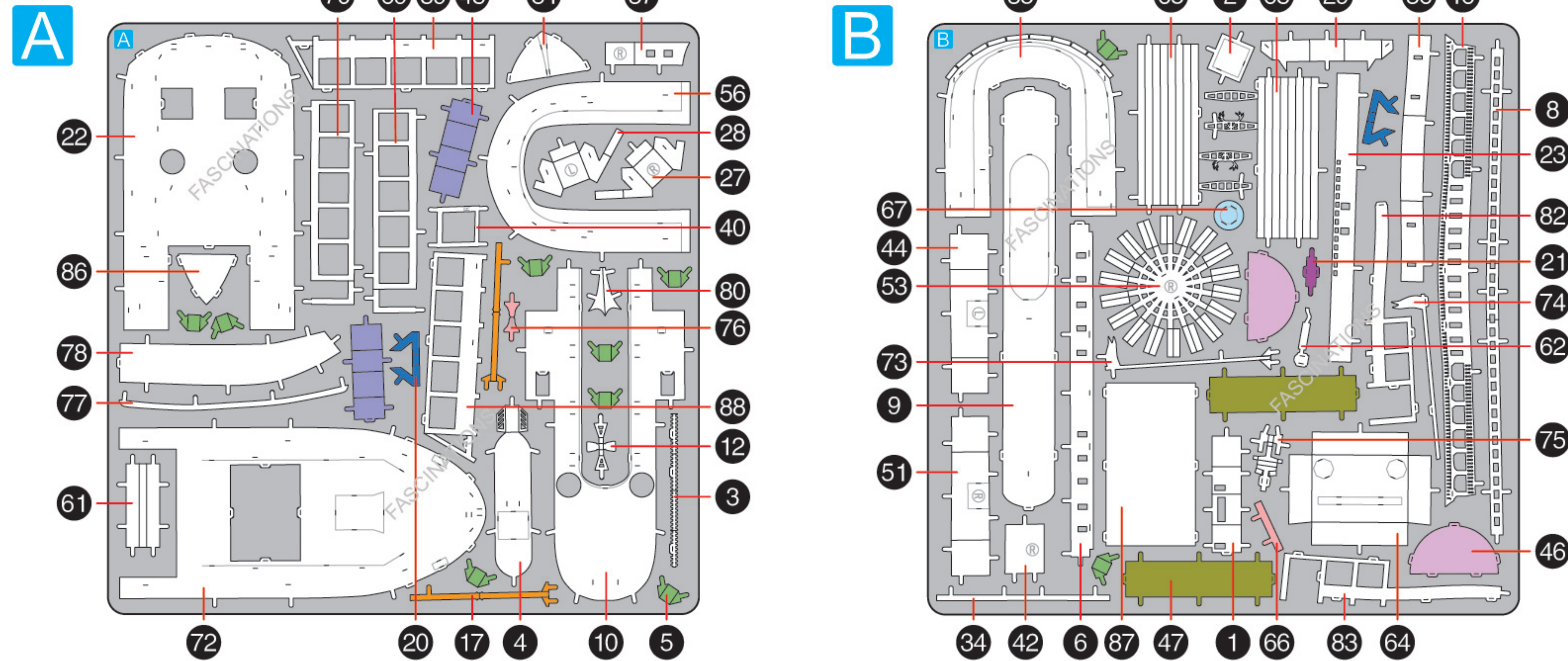


360°
view

It is highly recommended that you visit
www.metalearth.com/360/ME1019
to see the completed model before assembling your own

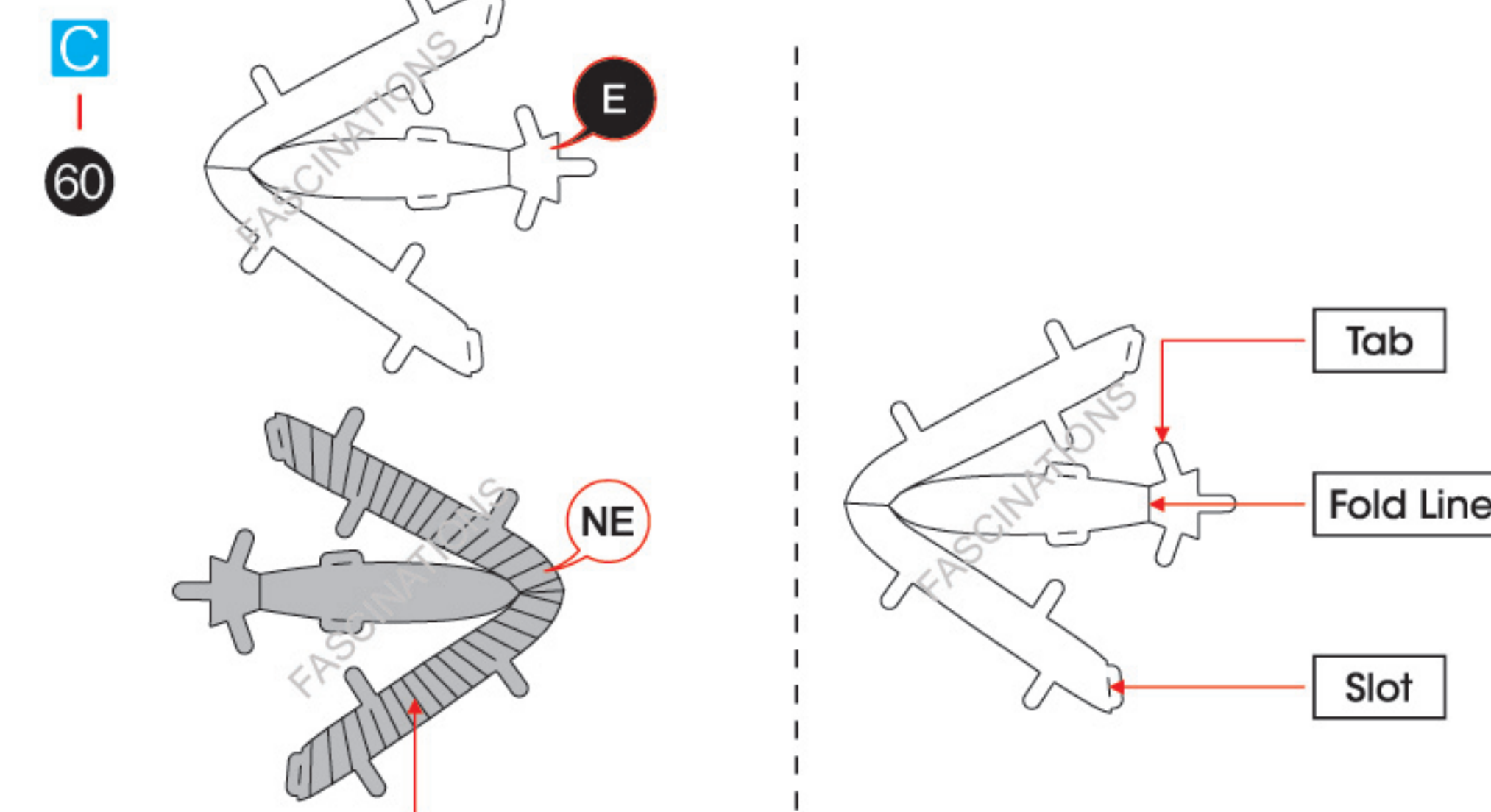
METAL SHEETS

Parts with same color are duplicates



! In order to avoid possible injury from sharp edges, please carefully discard the metal sheets after parts have been removed.

TO CREATE THE BEST CONNECTIONS



Consider these engraved stripes as supporting features for the bend

Legends:

- E** Engraved / Color side
- NE** Non - engraved / Silver side
- Attention point
- Insert tab and bend 90 degrees
- Insert tab and twist 90 degrees

Recommended tools:

- Wire cutters: helpful for taking parts from the metal sheets.
- Tweezers or needle nose pliers: helpful for folding parts, bending and twisting tabs.

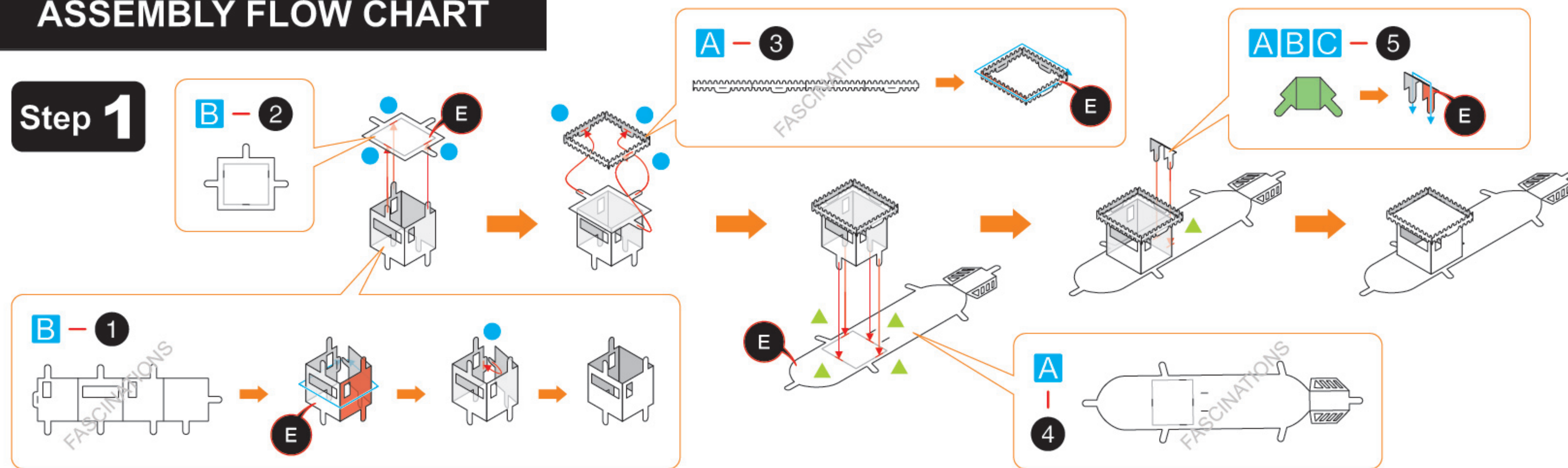
Assembly tip:

If needed, slightly twist tabs to hold parts together then untwist and bend them down for a nice finish.

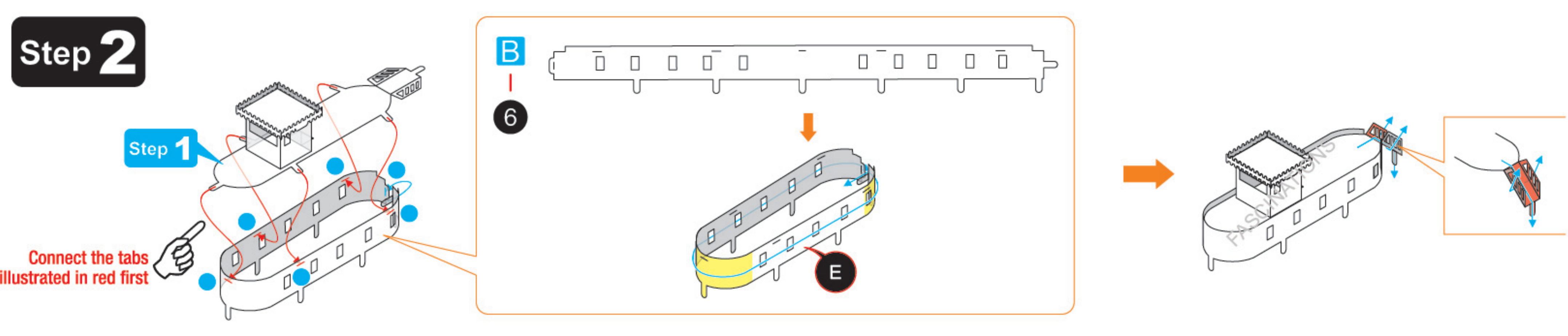
- Yellow areas should be curled
- Red areas should be folded

ASSEMBLY FLOW CHART

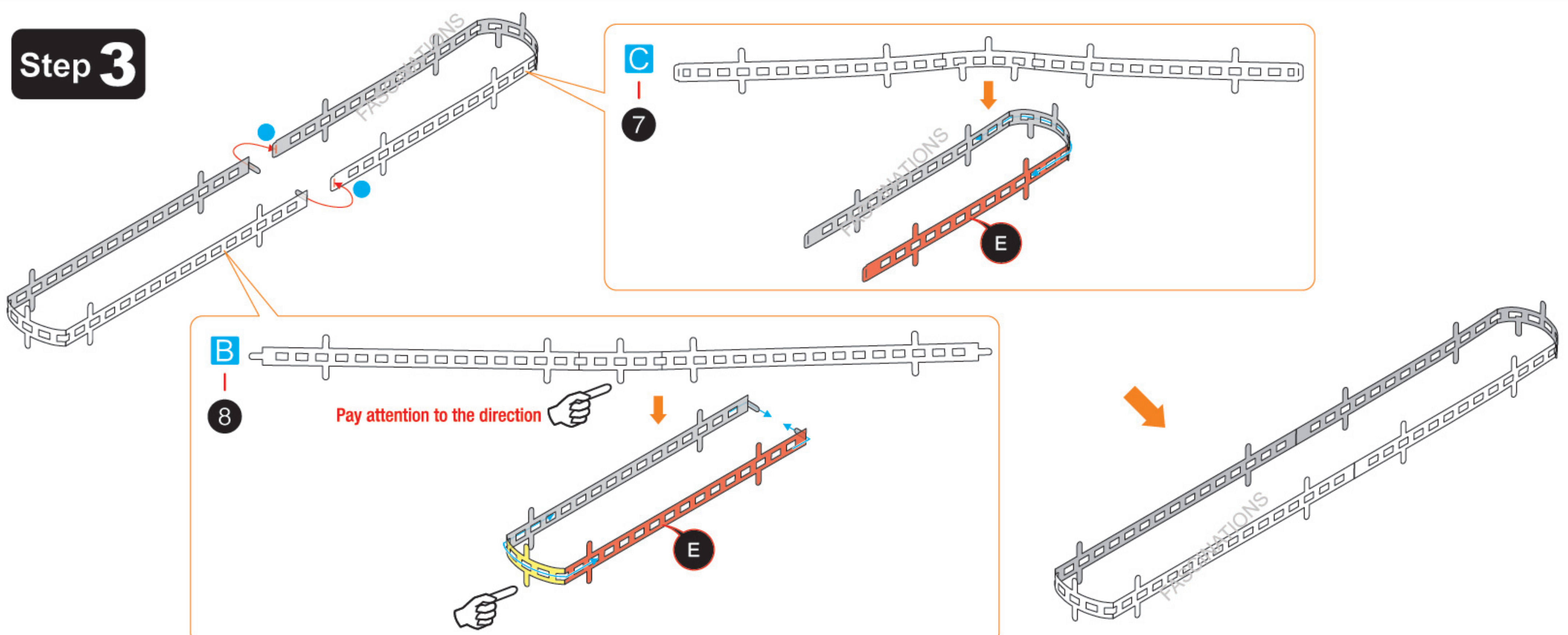
Step 1

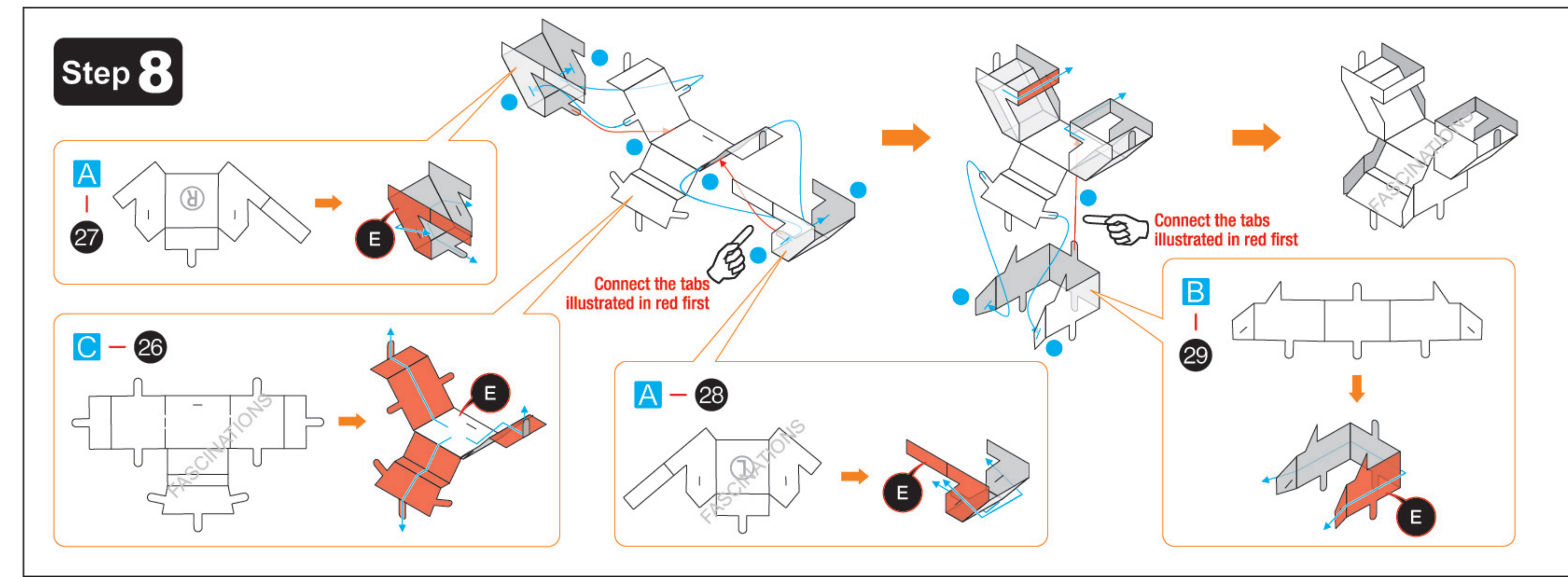
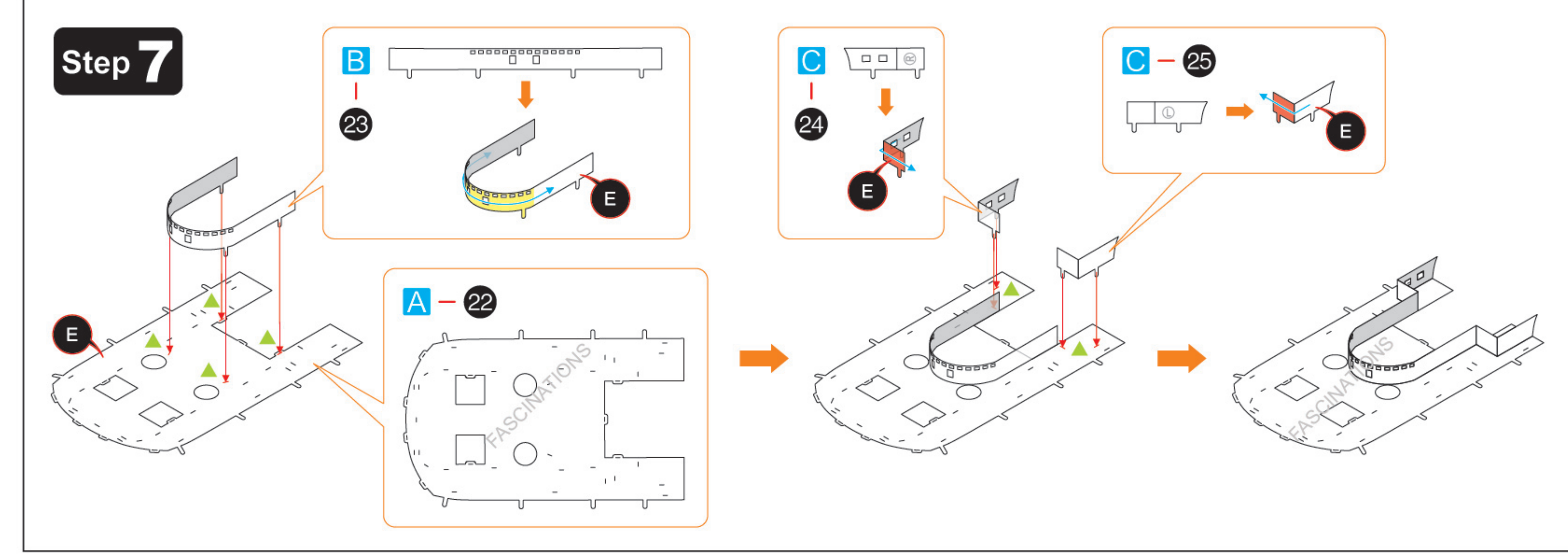
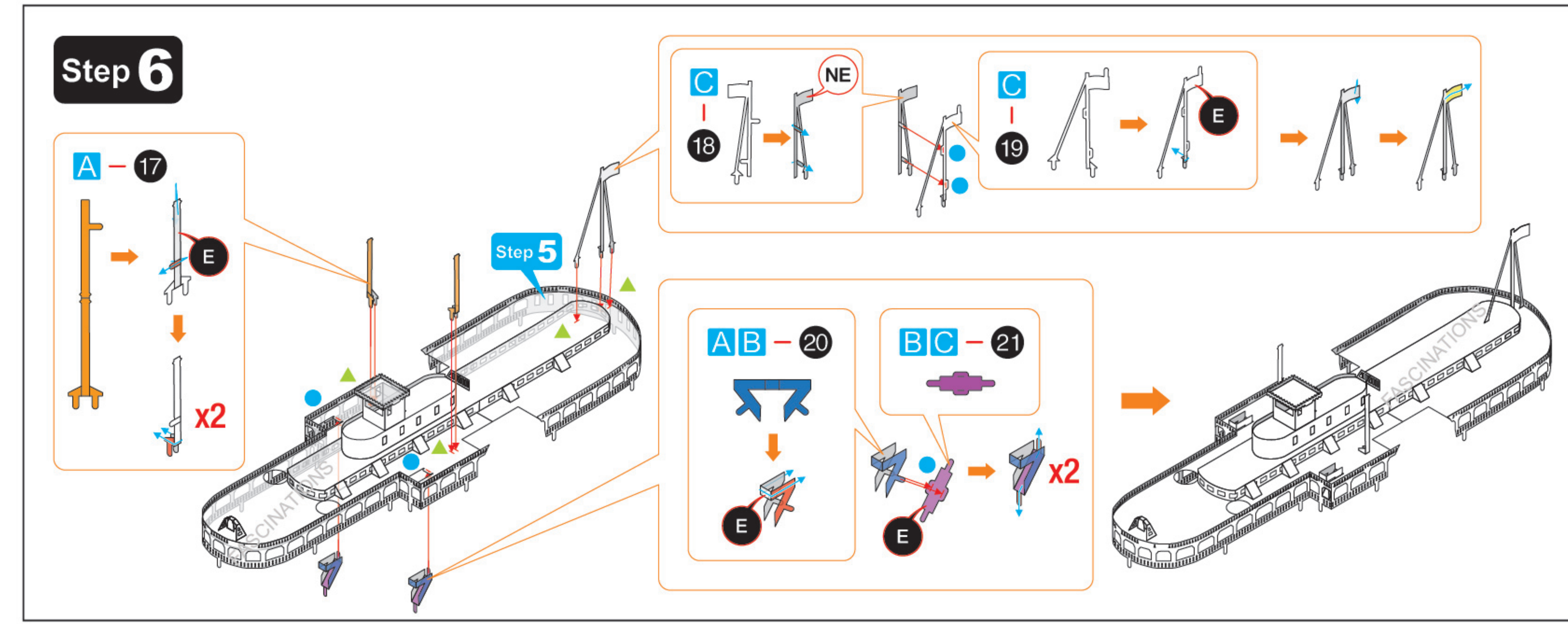
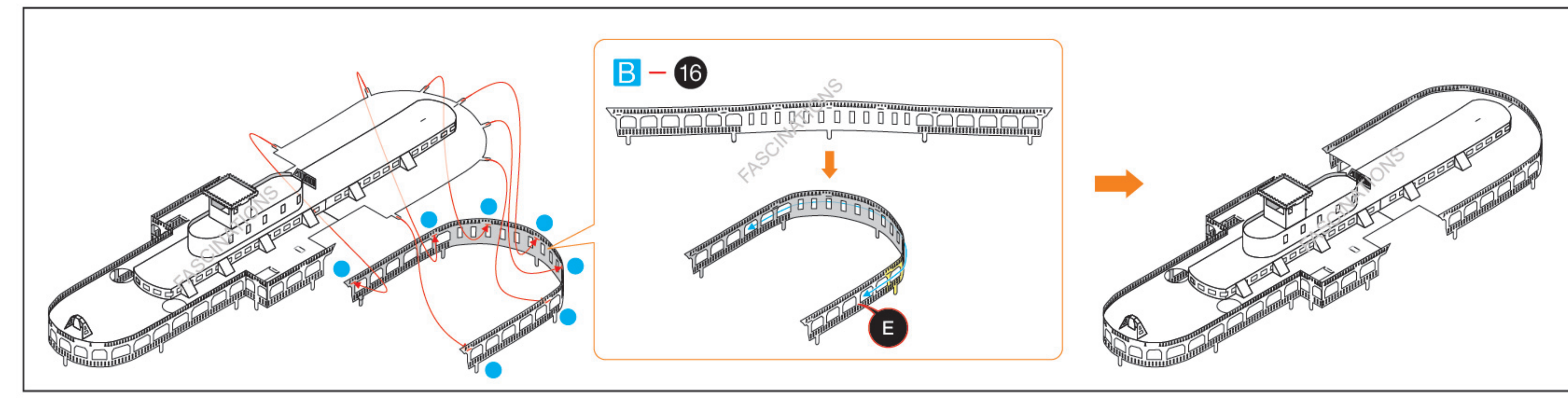
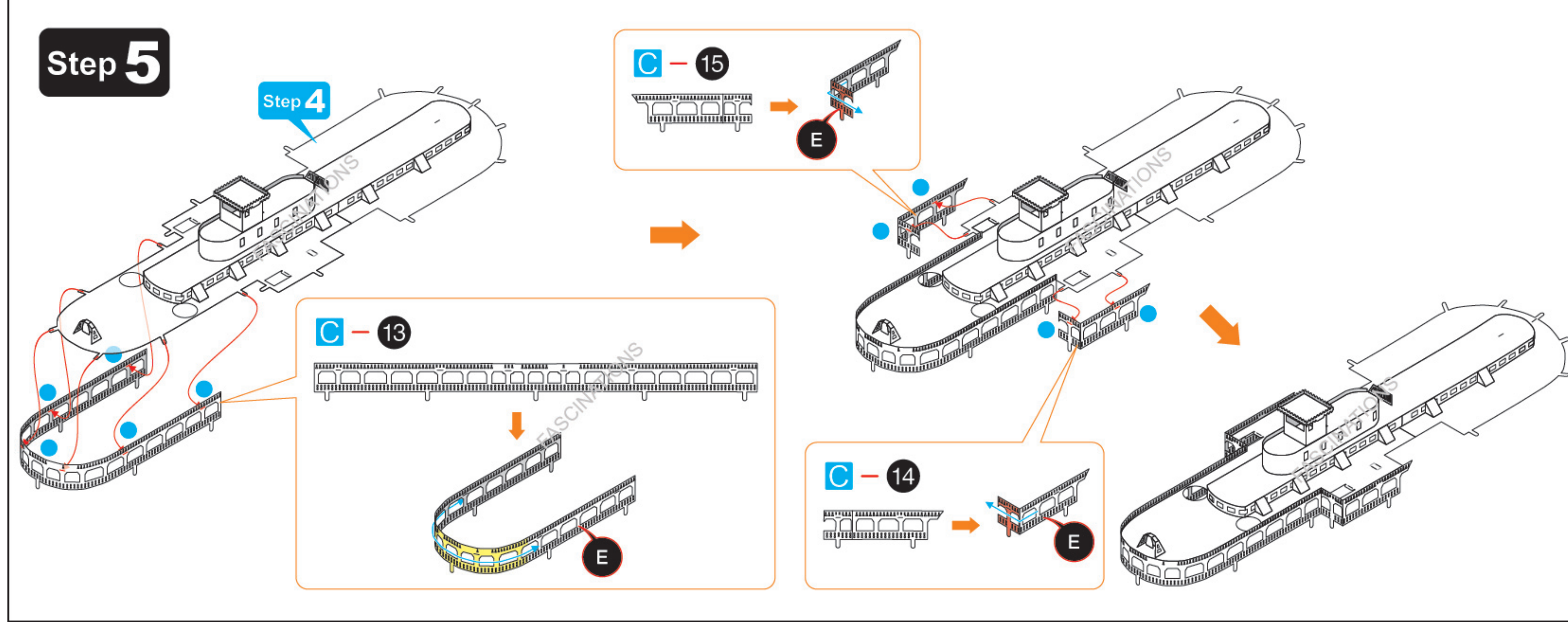
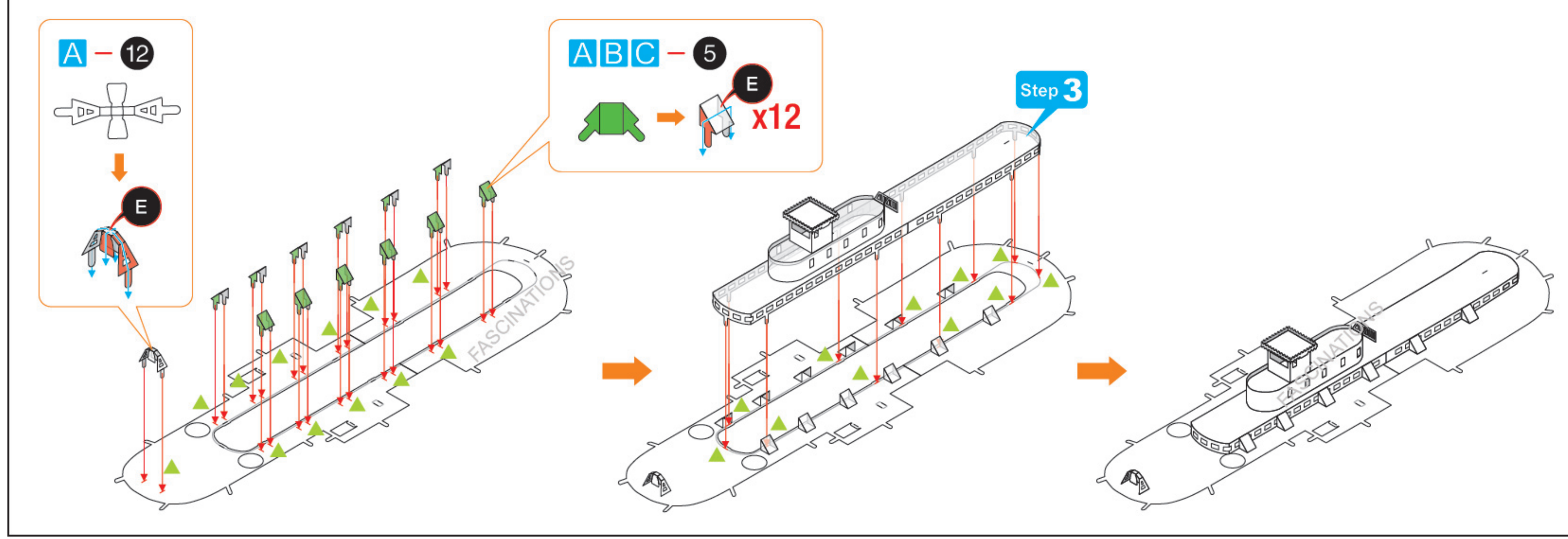
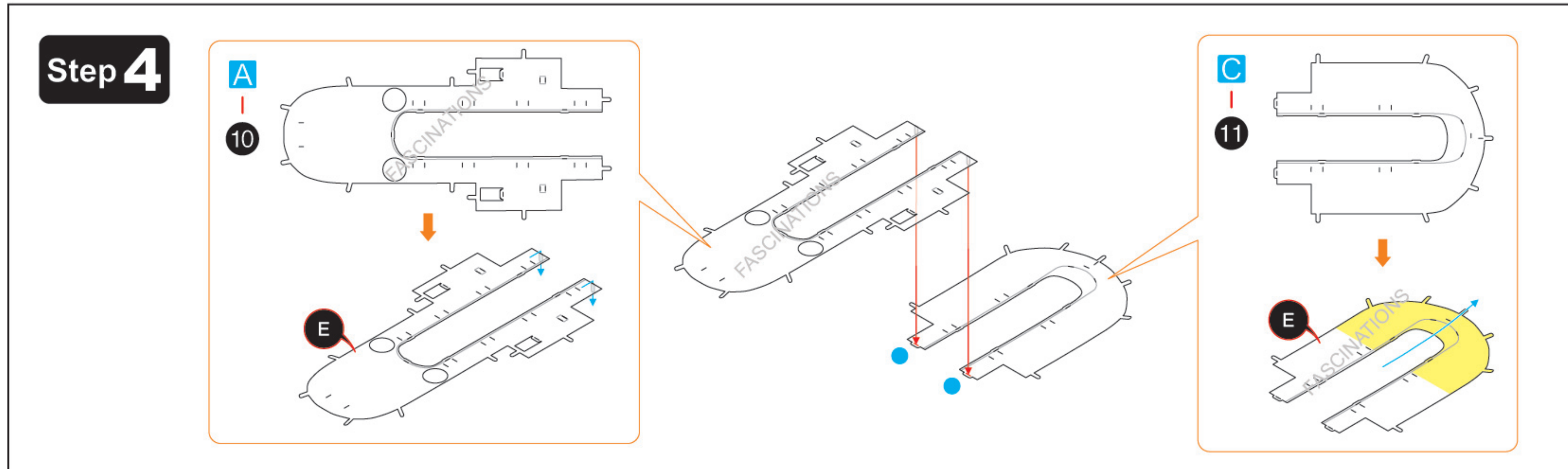
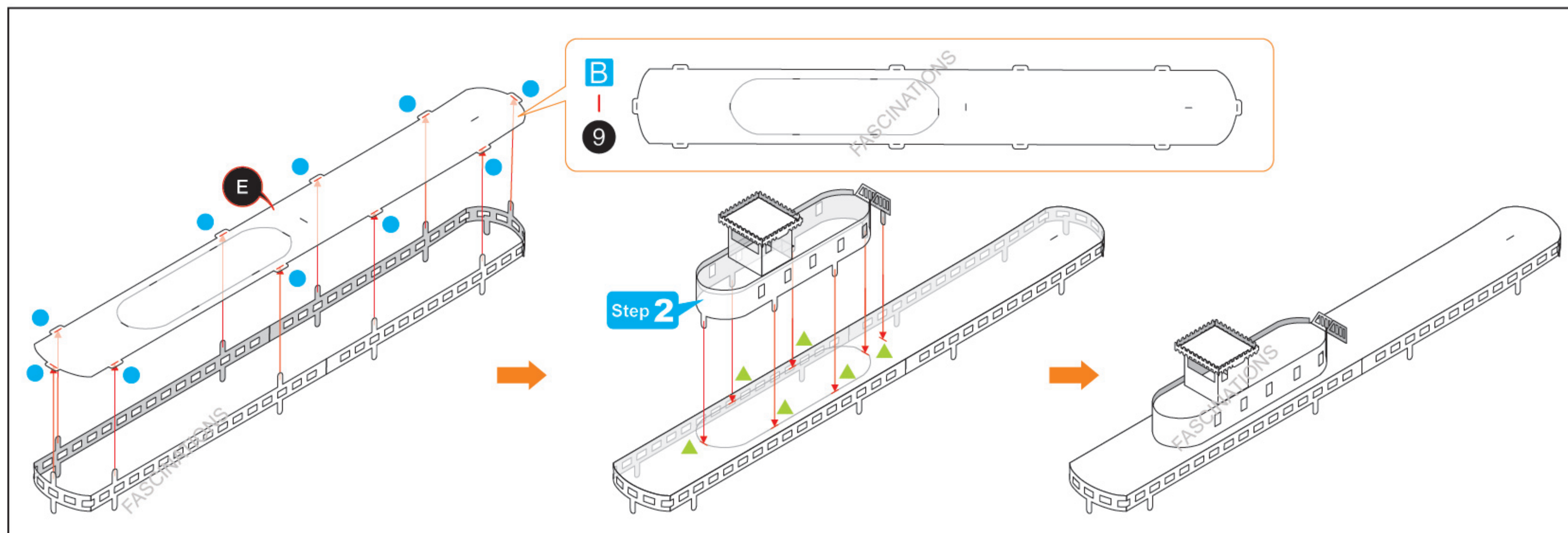


Step 2

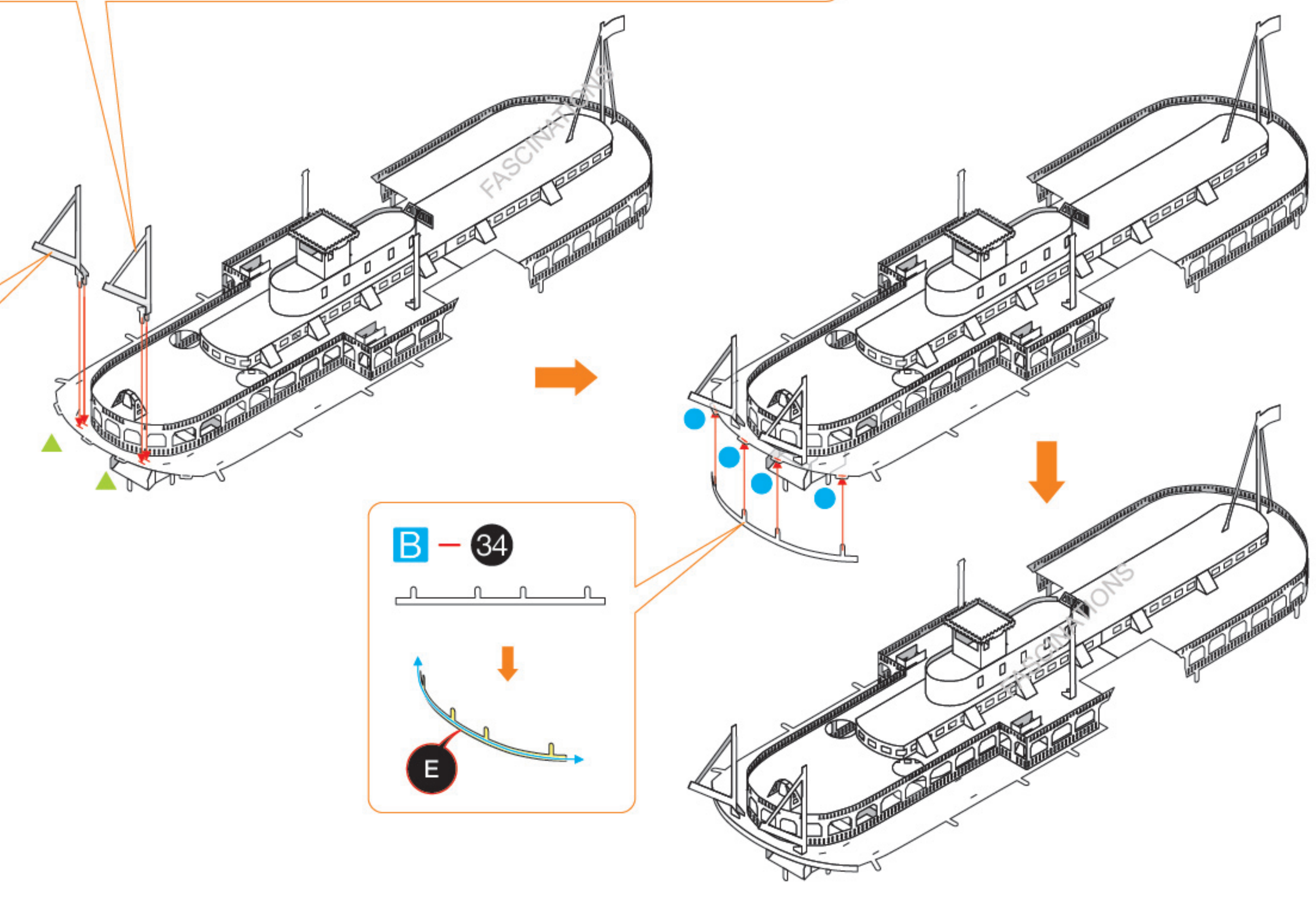
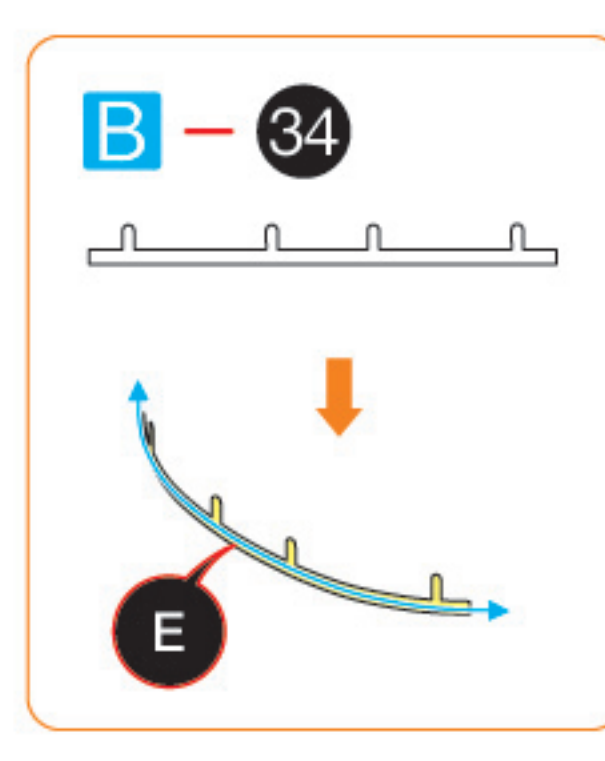
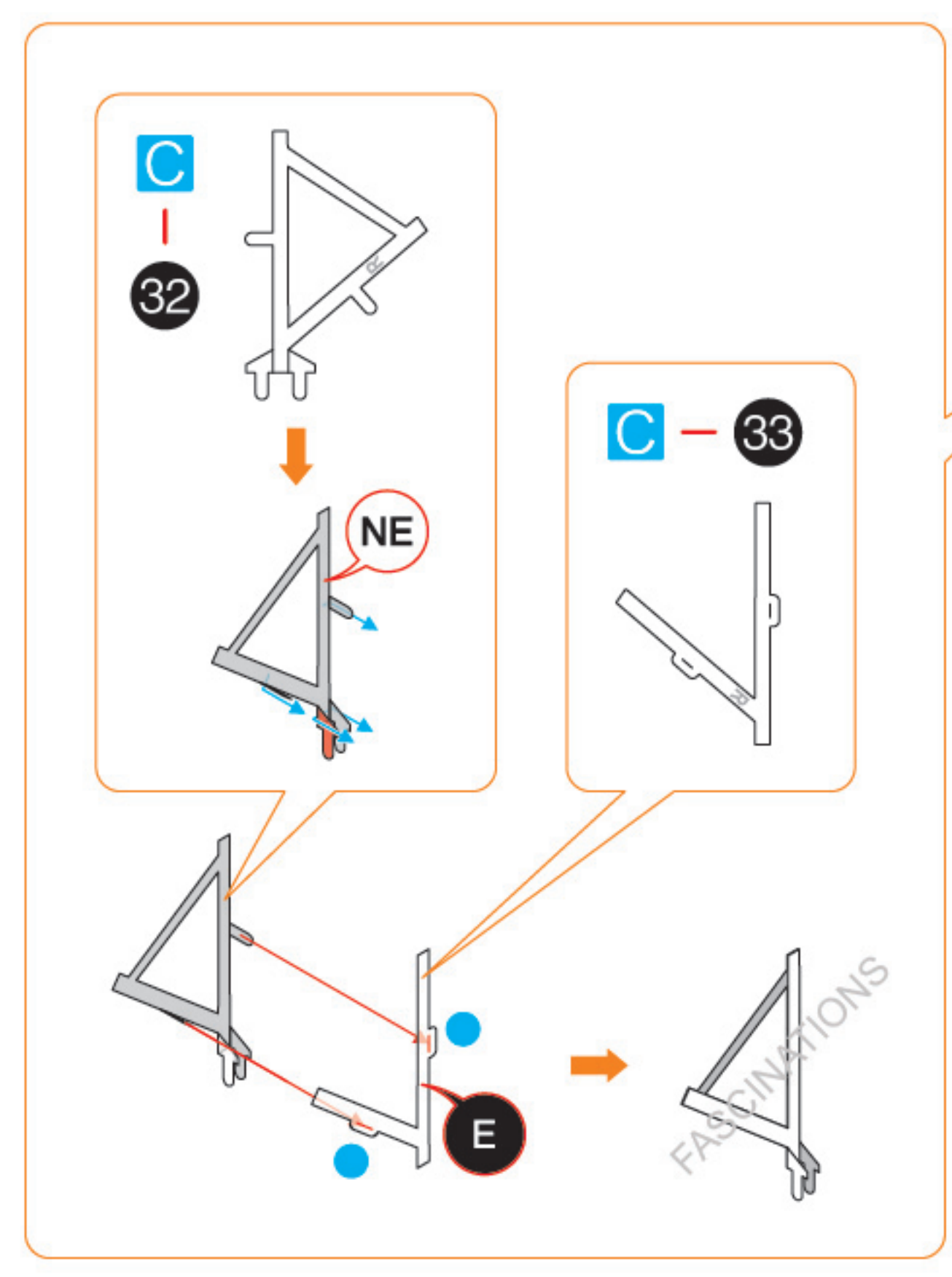
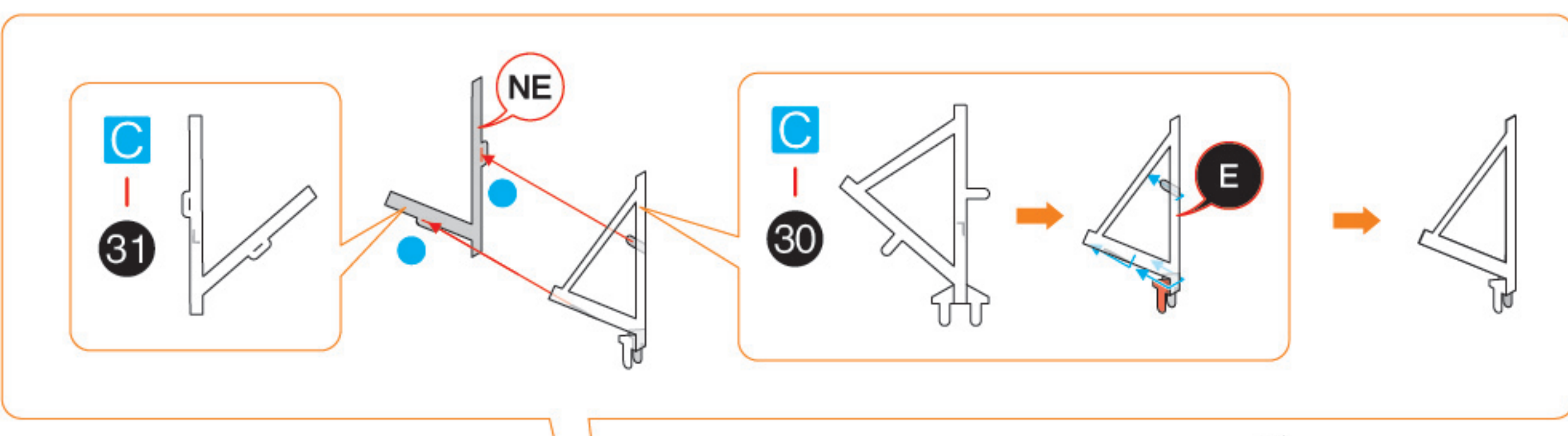
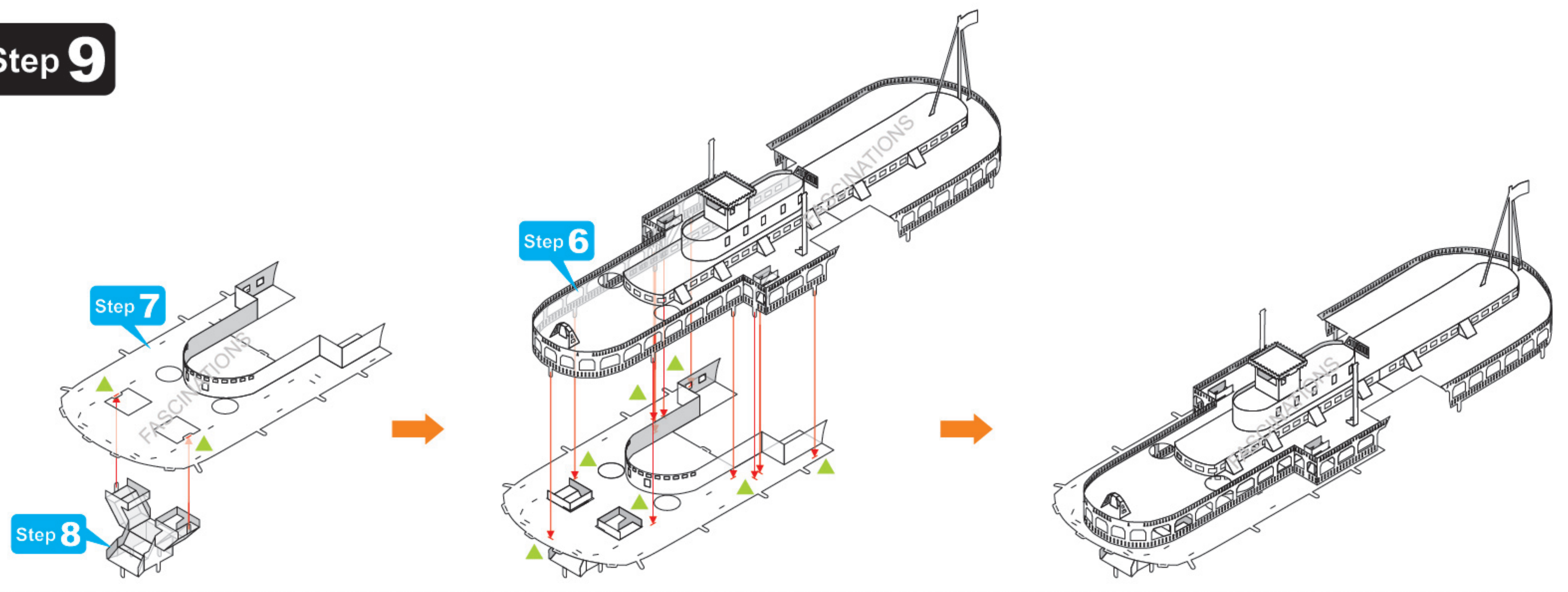


Step 3

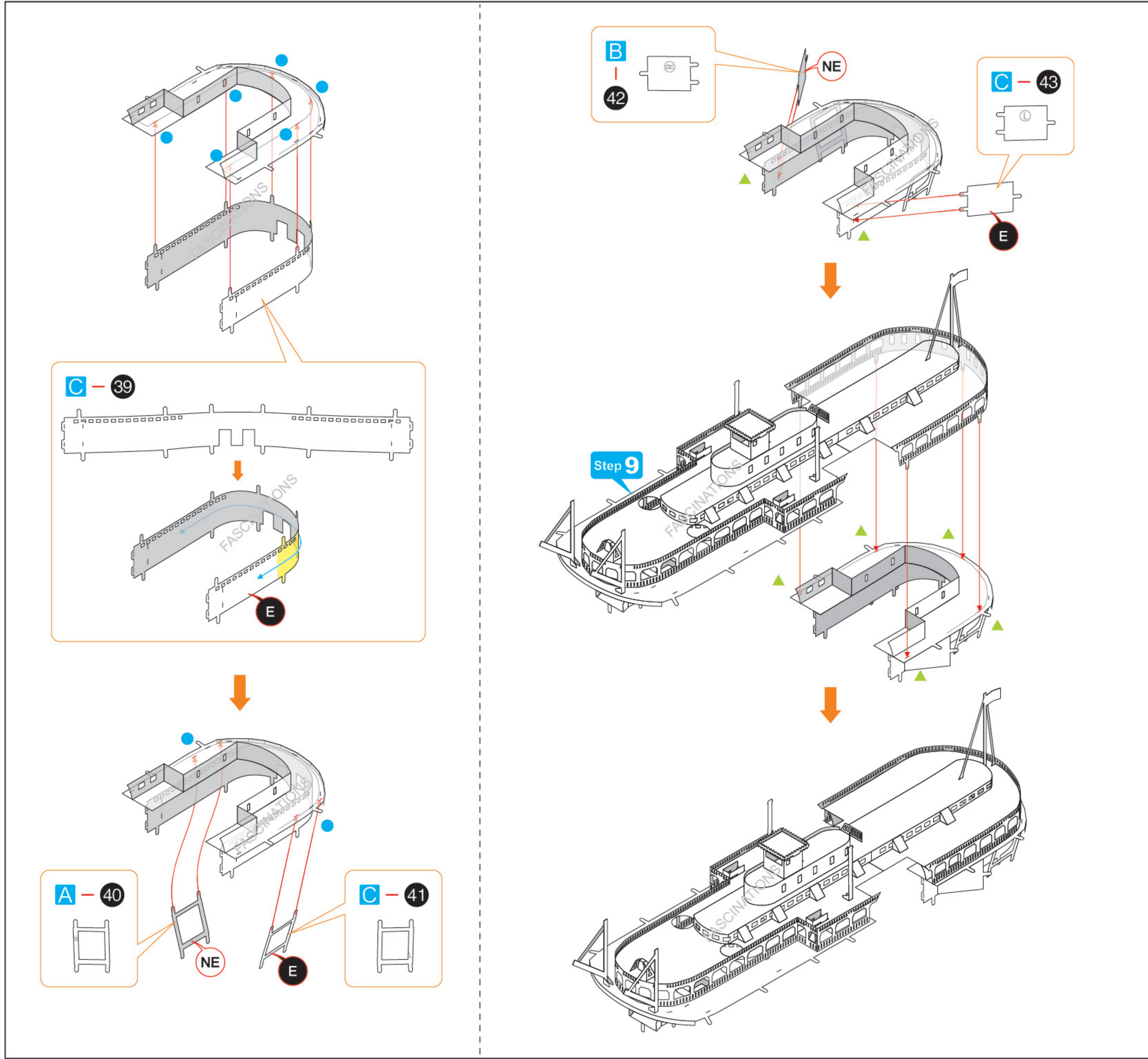
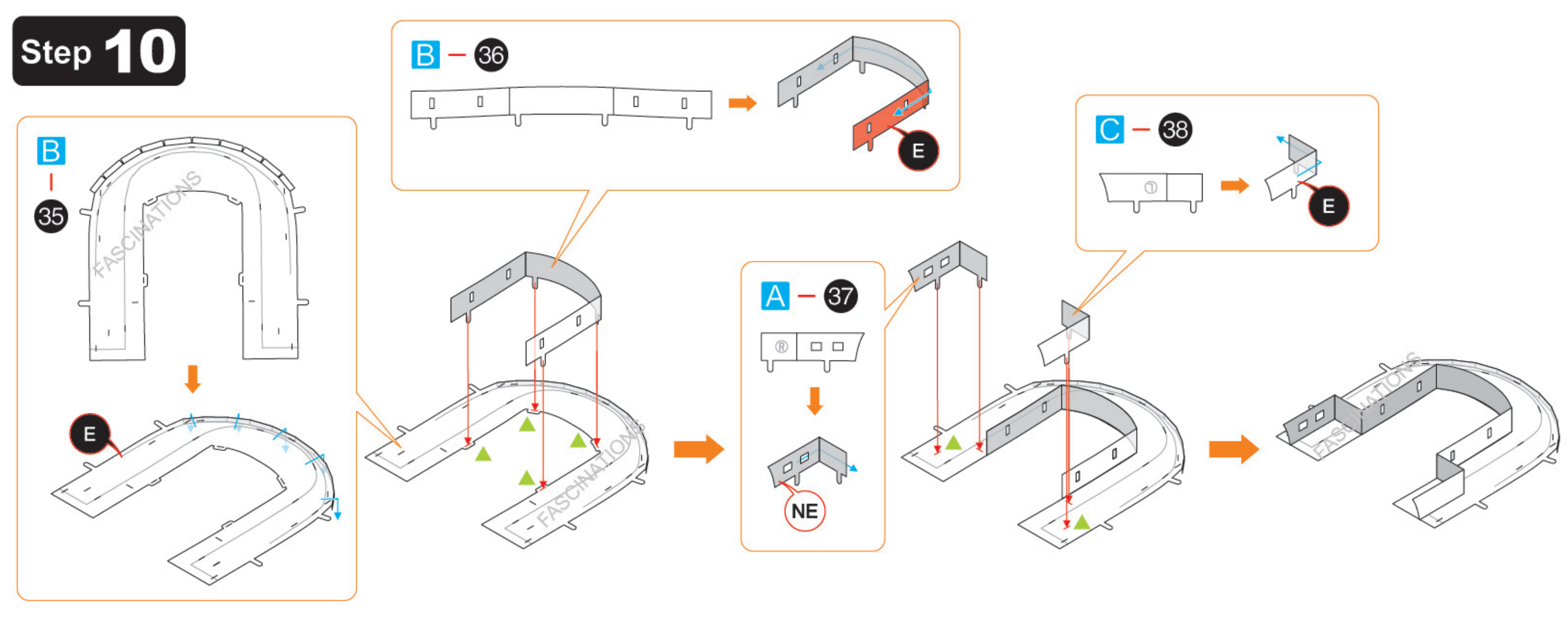




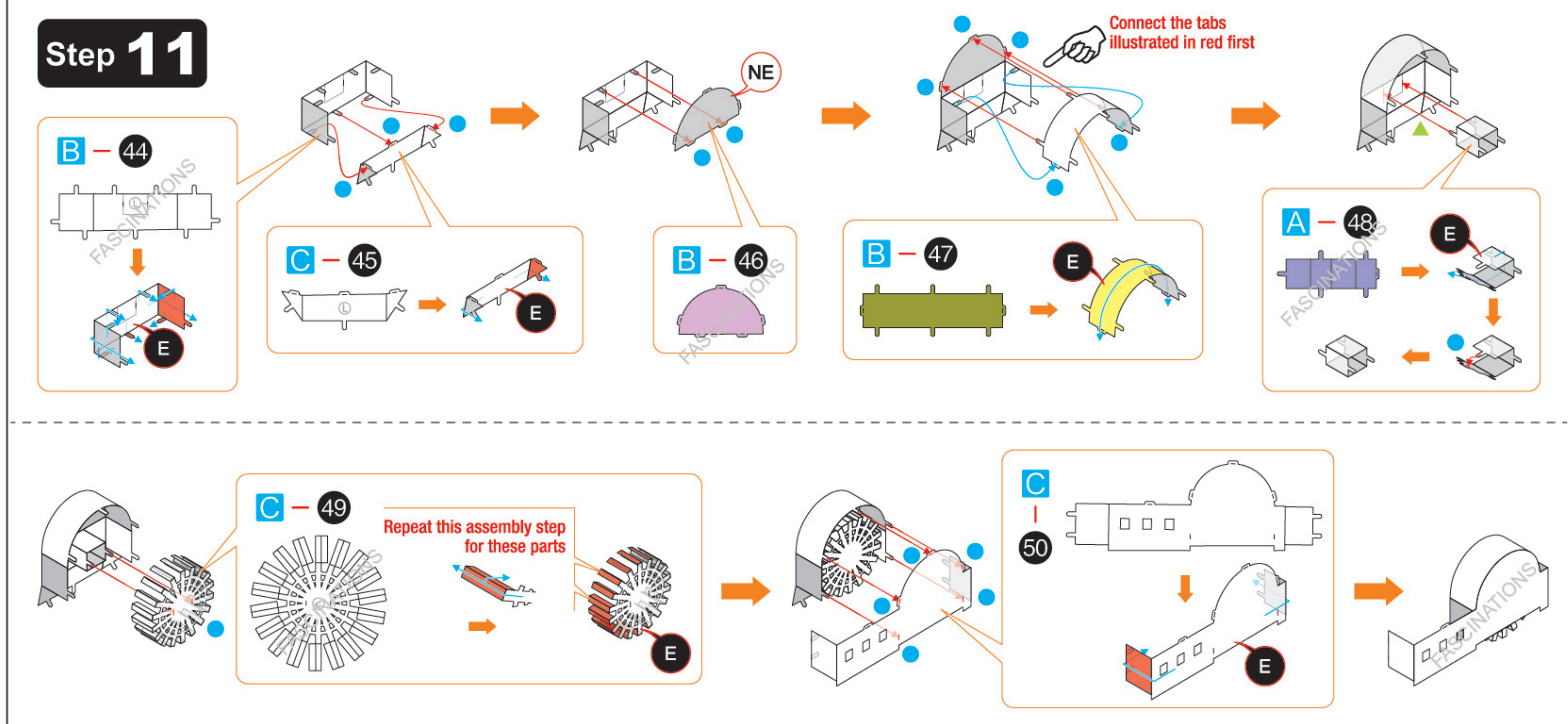
Step 9



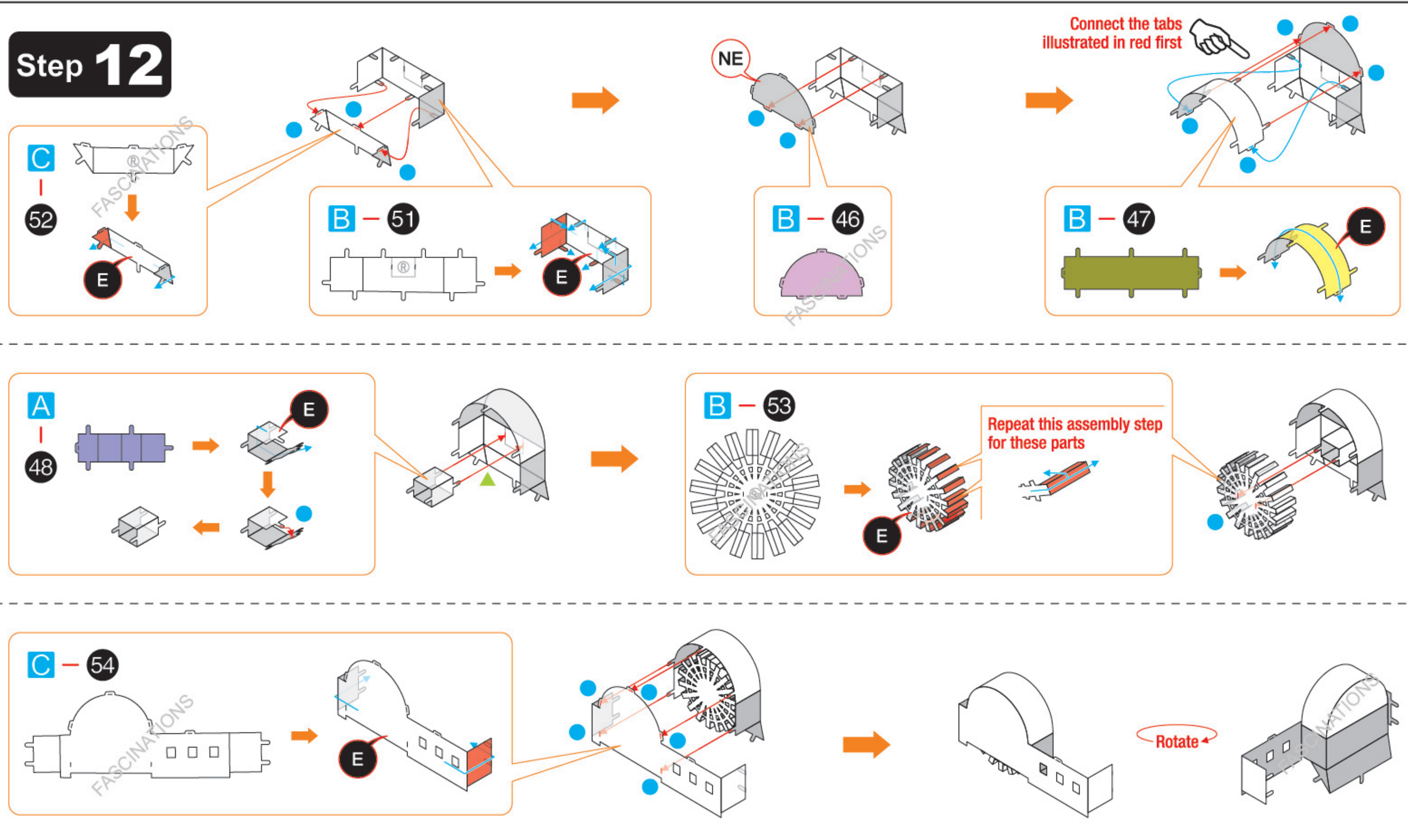
Step 10



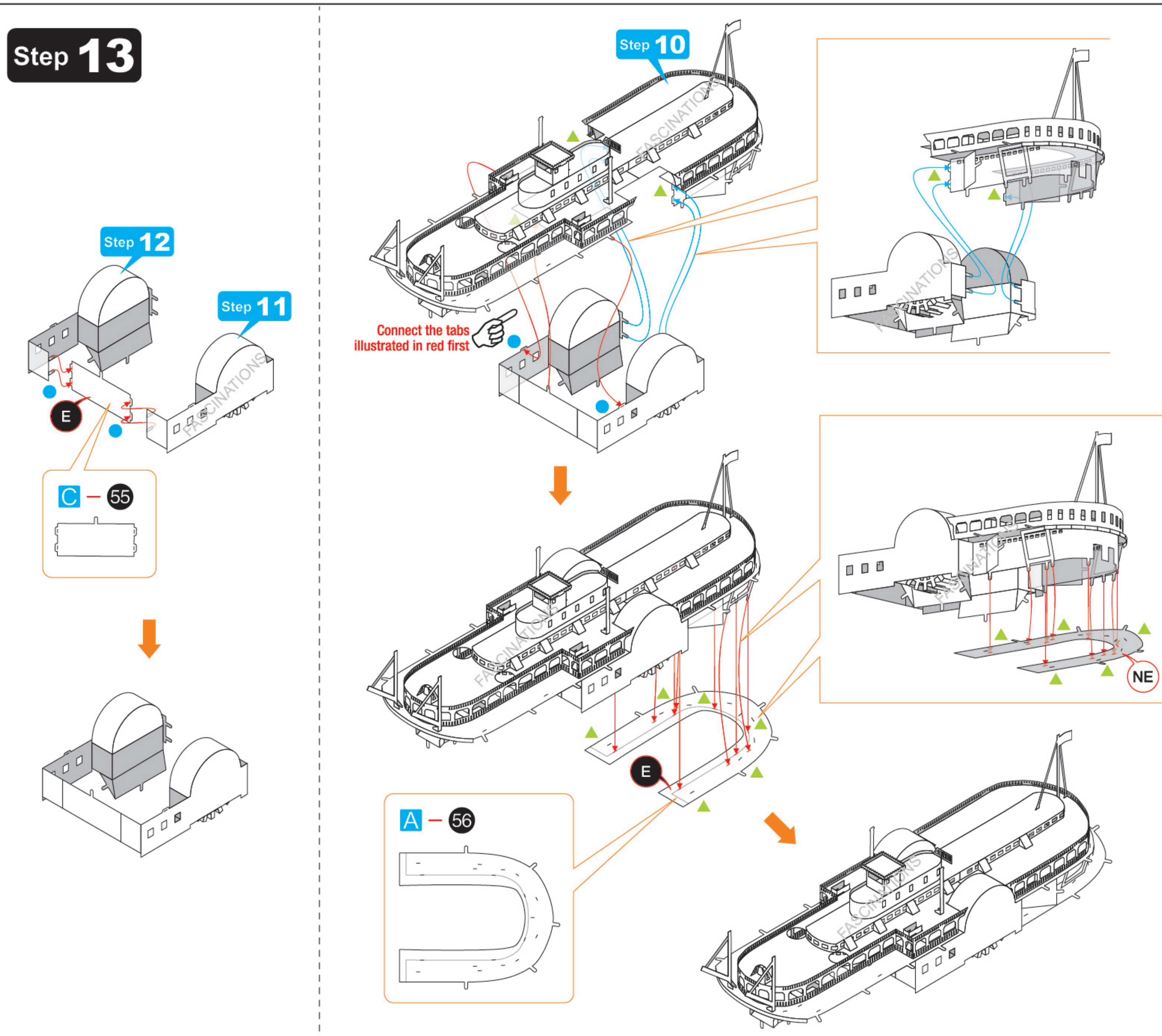
Step 11



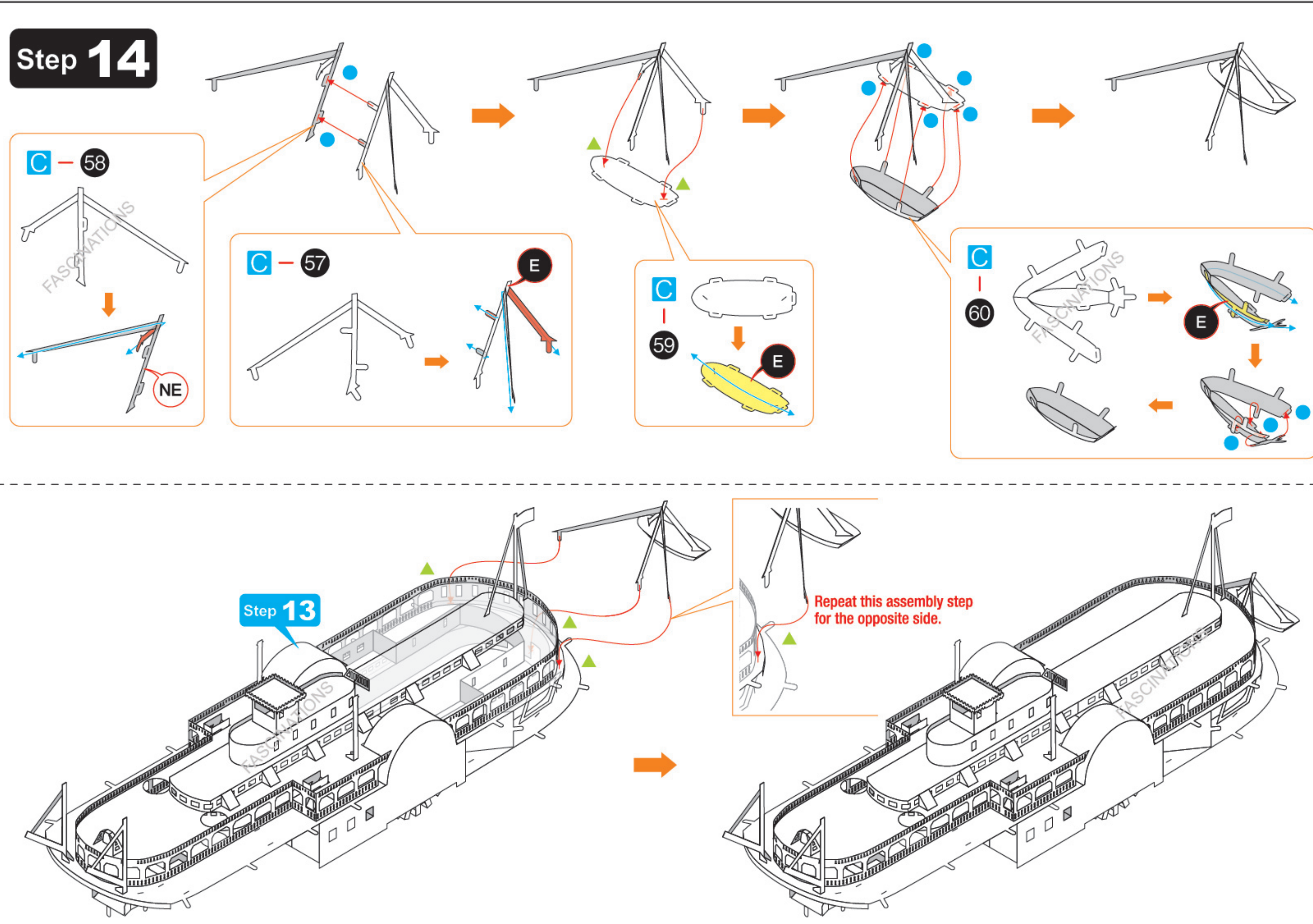
Step 12



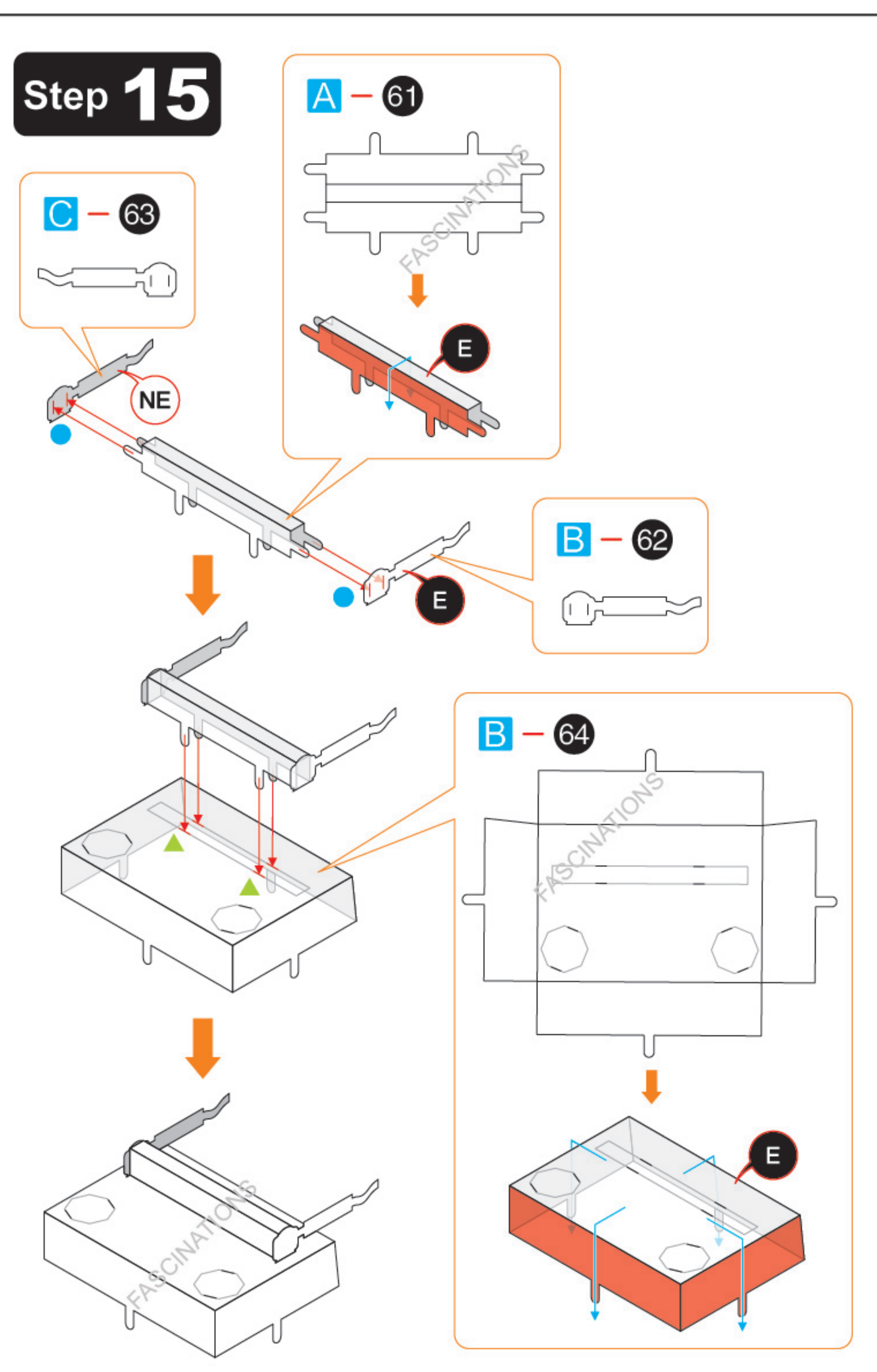
Step 13



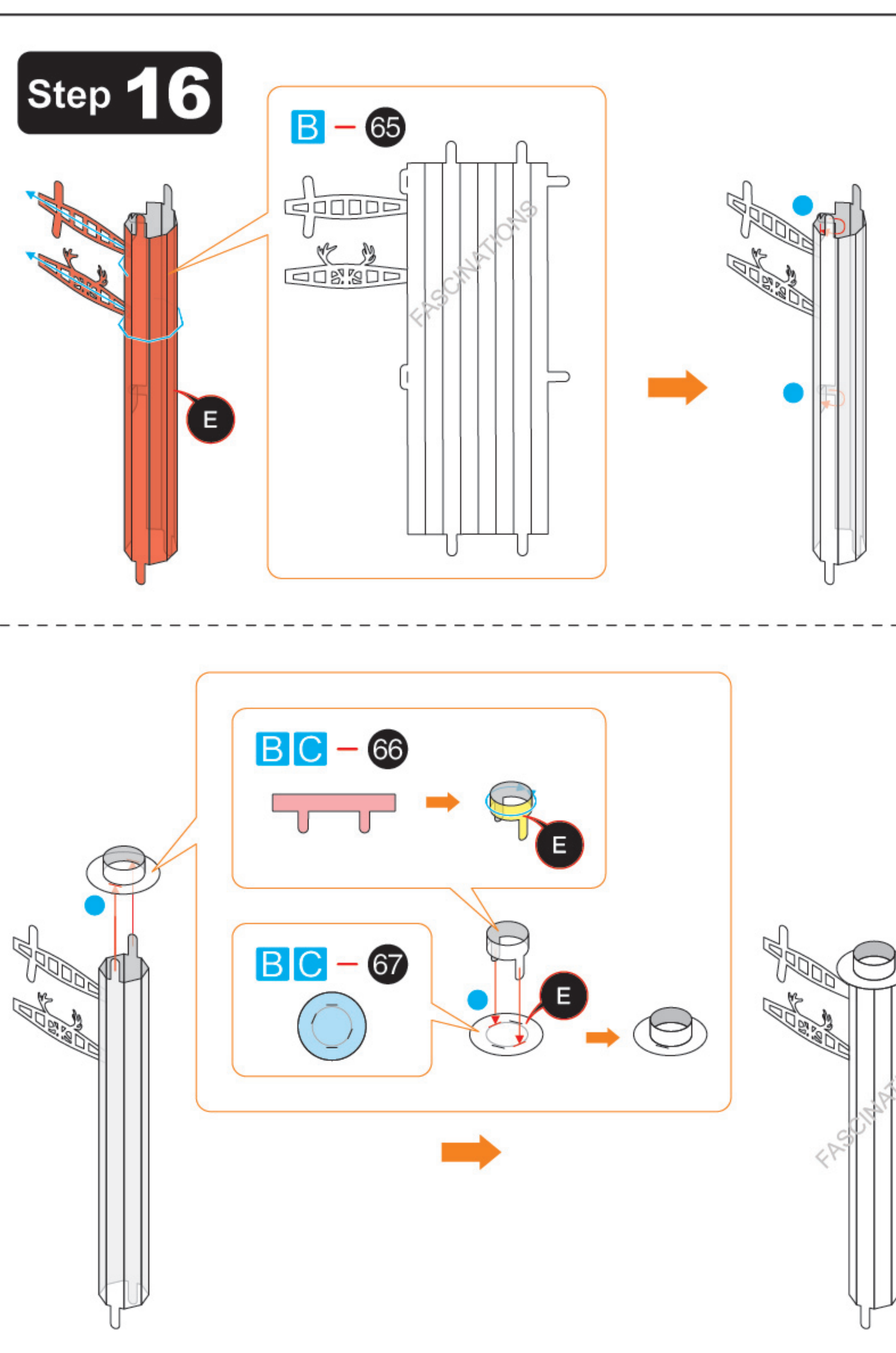
Step 14



Step 15

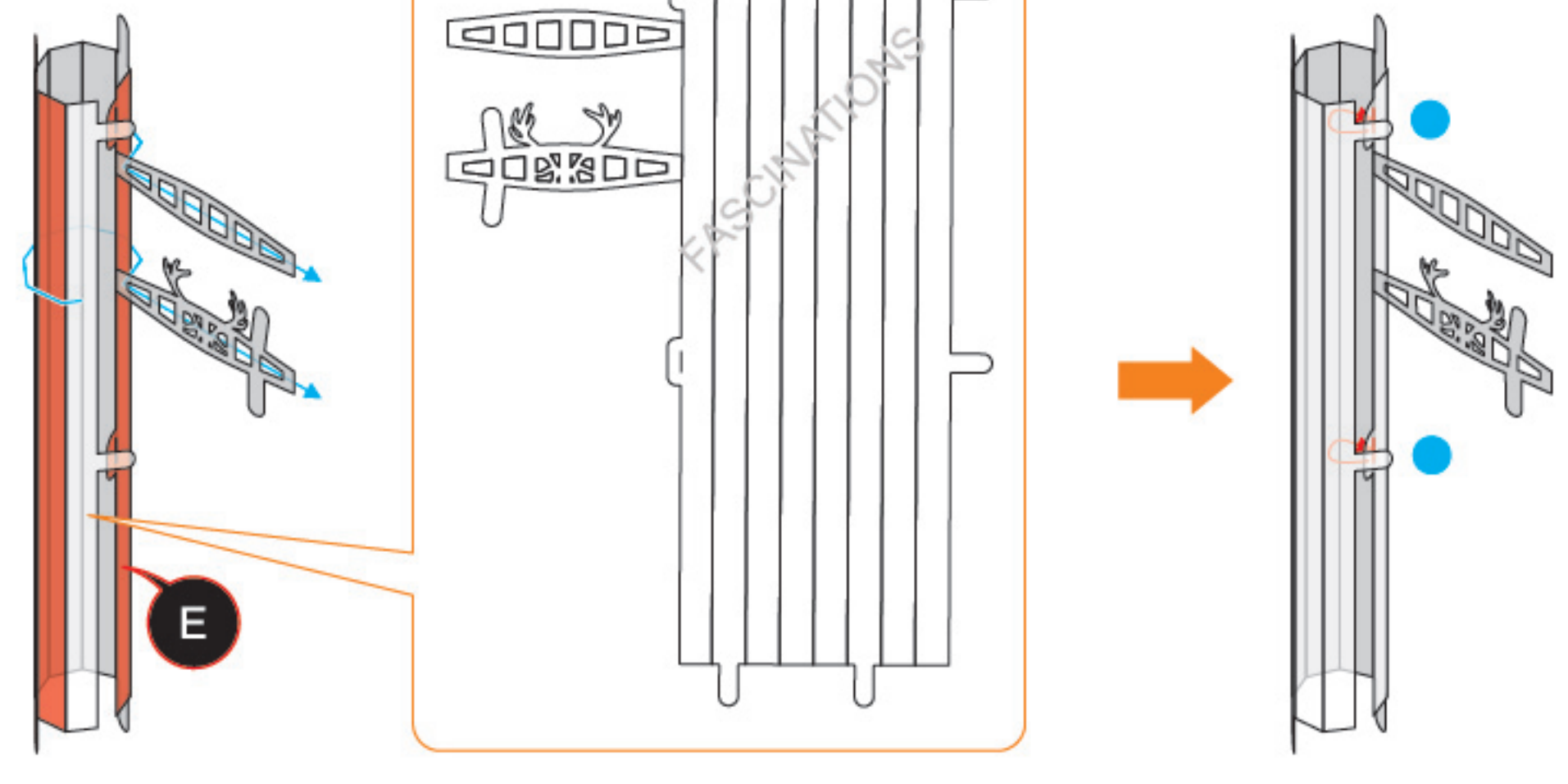


Step 16



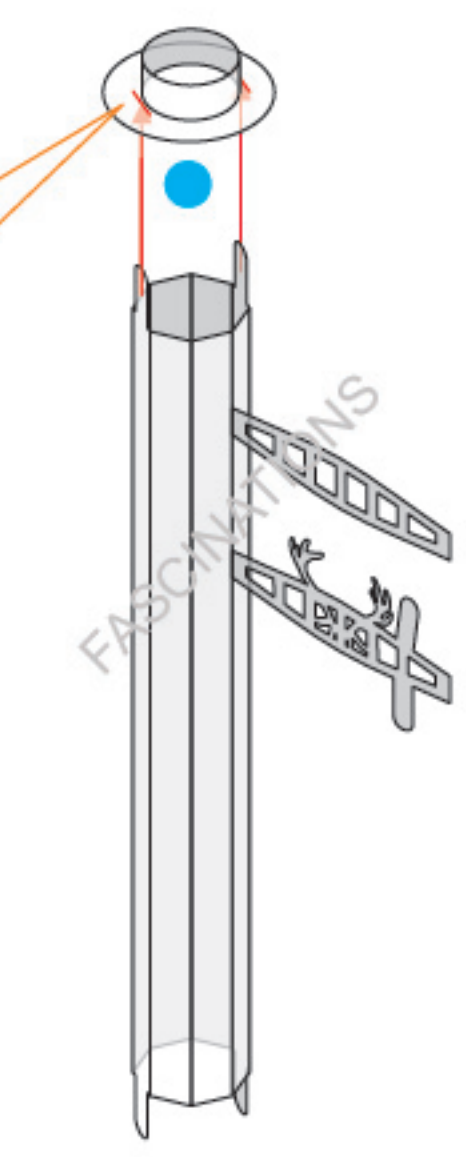
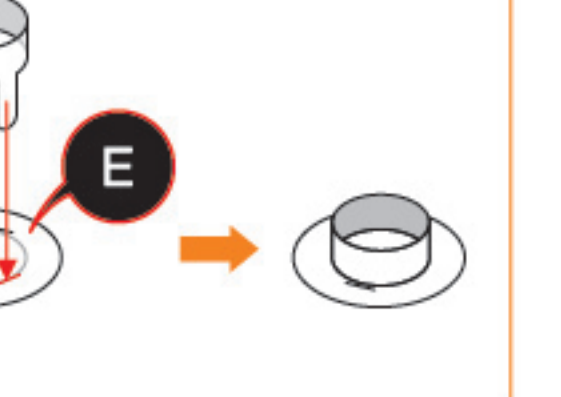
Step 17

B - 68

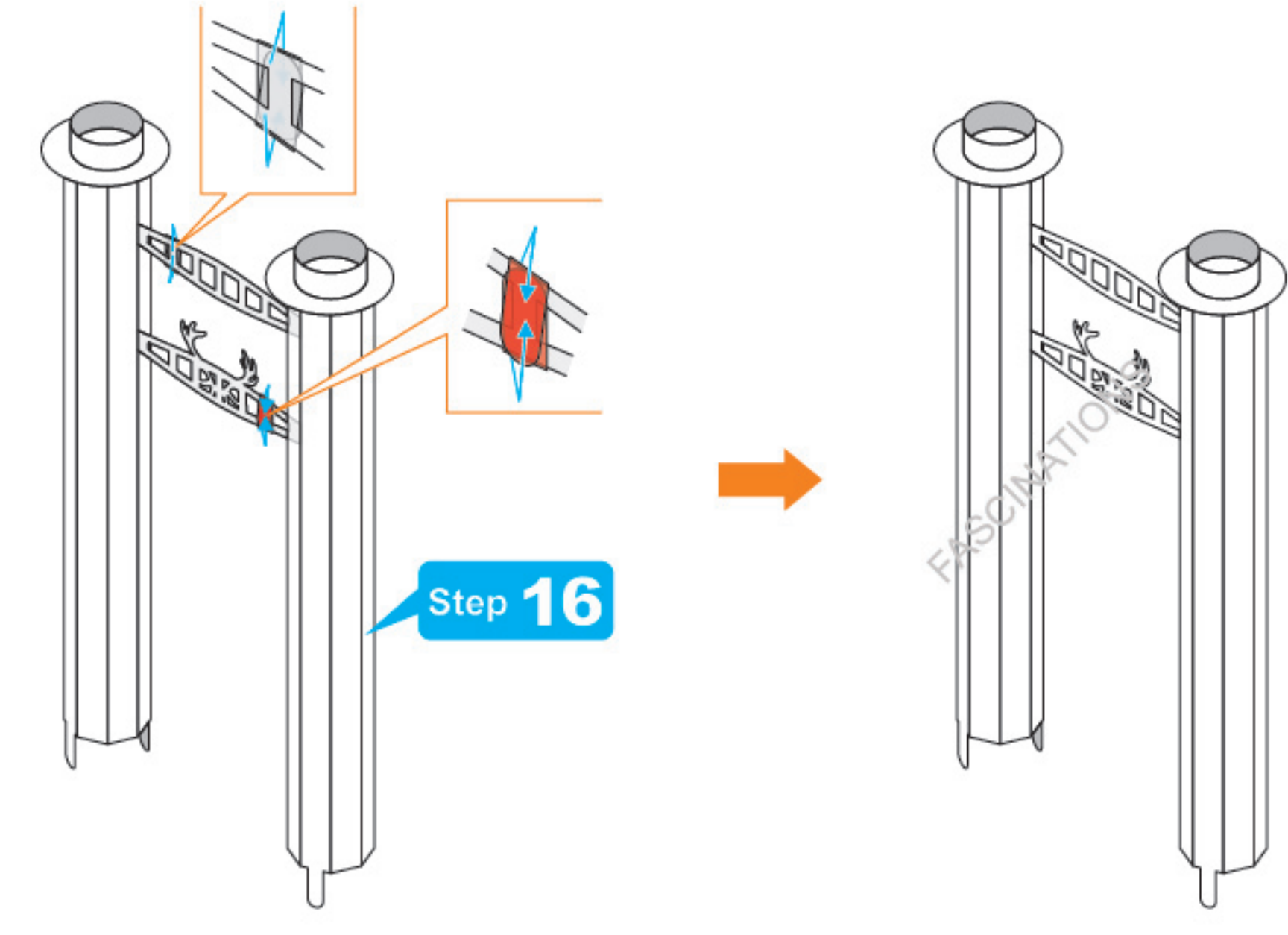


BC - 66

BC - 67



Step 16

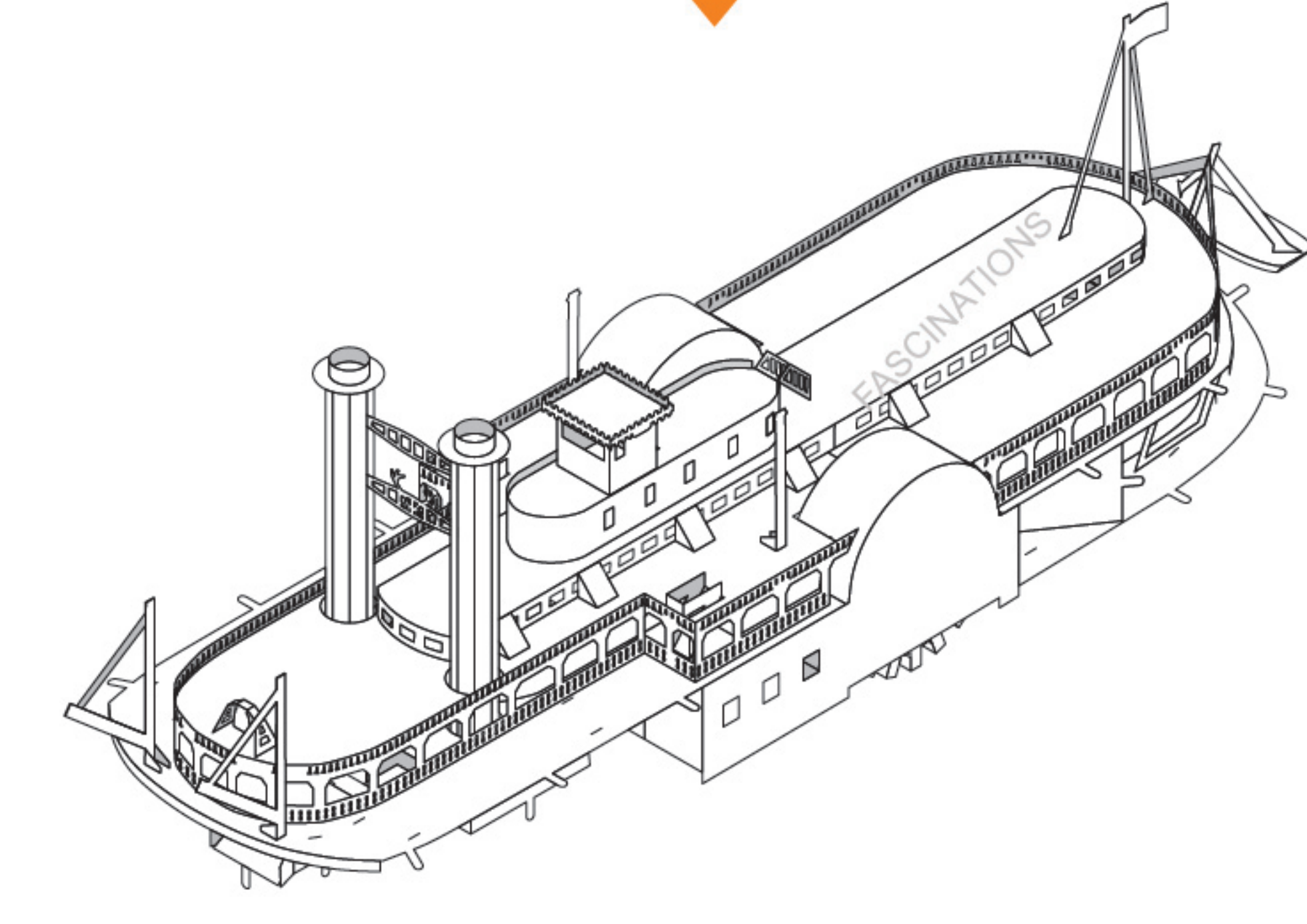
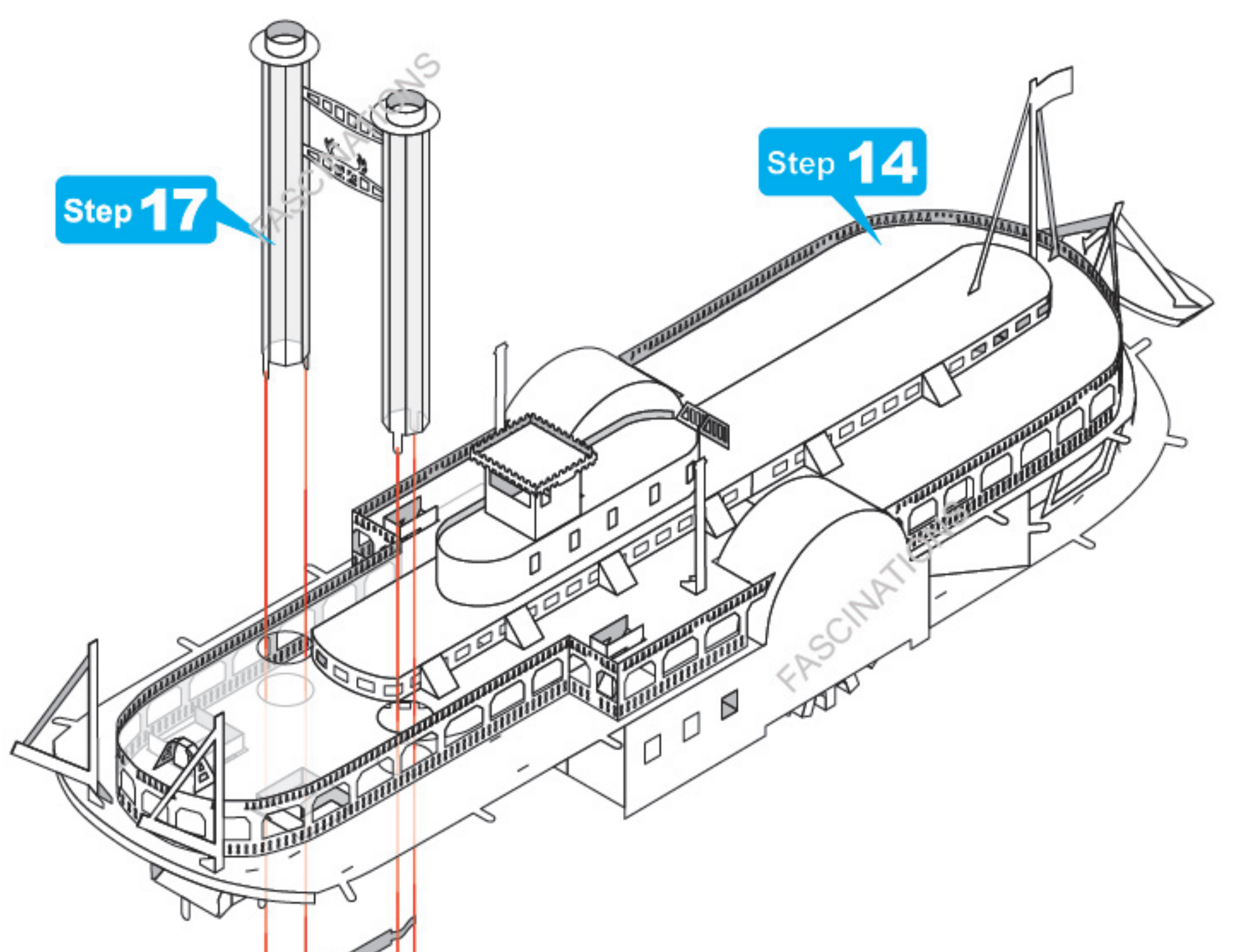


Step 18

Step 17

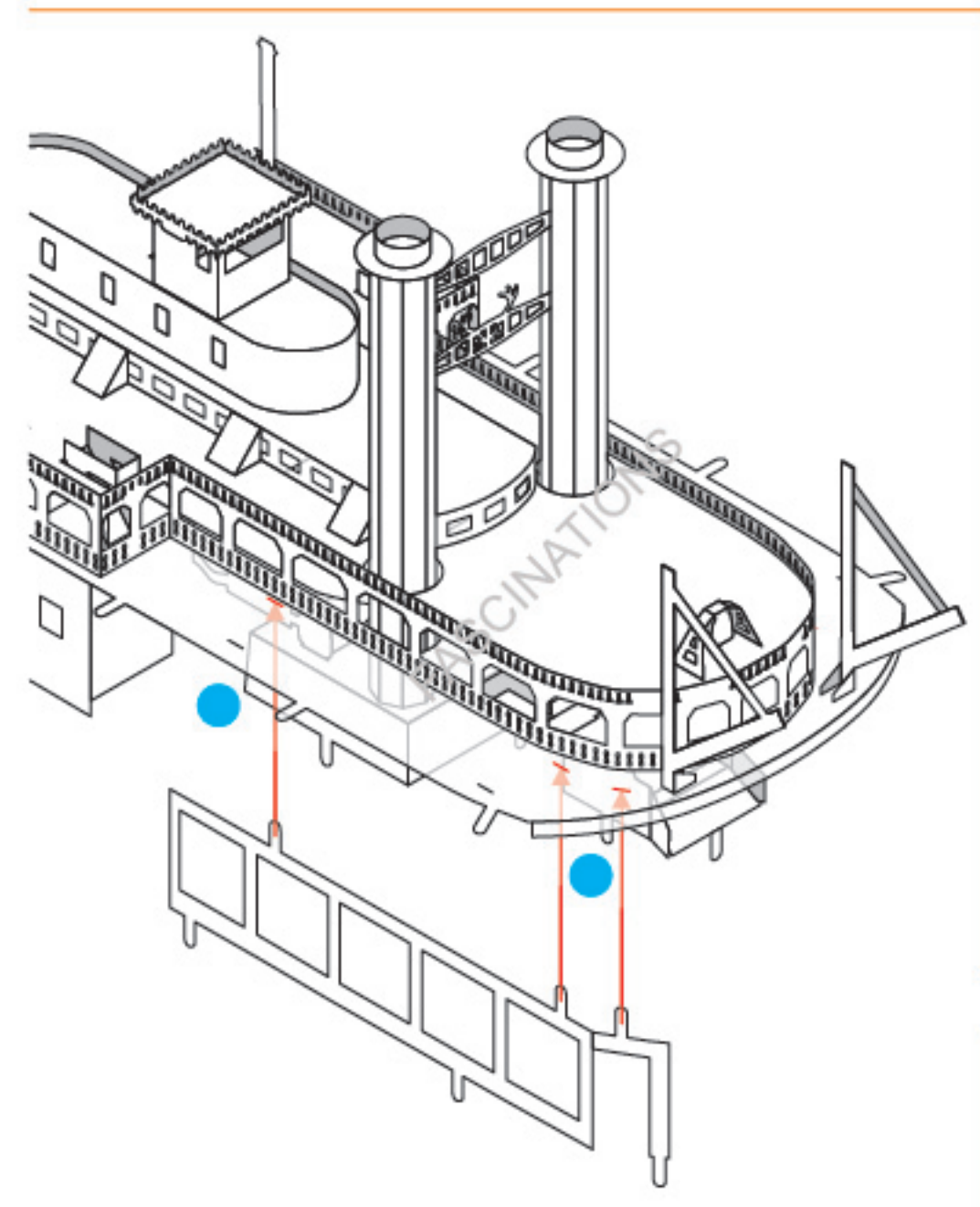
Step 14

Step 15



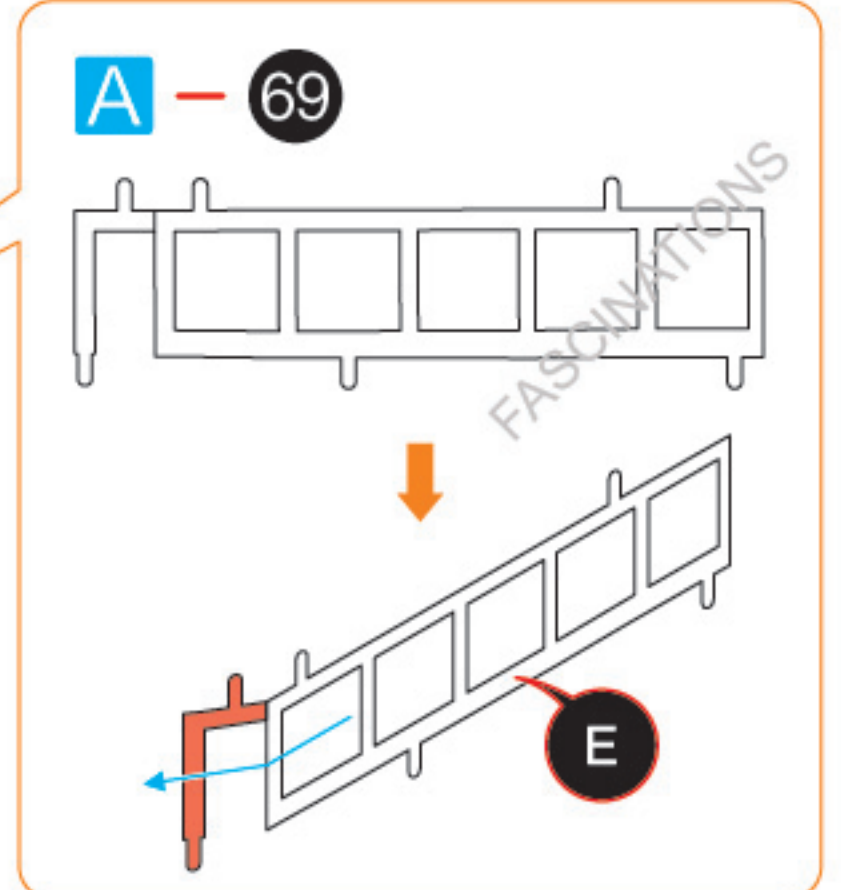
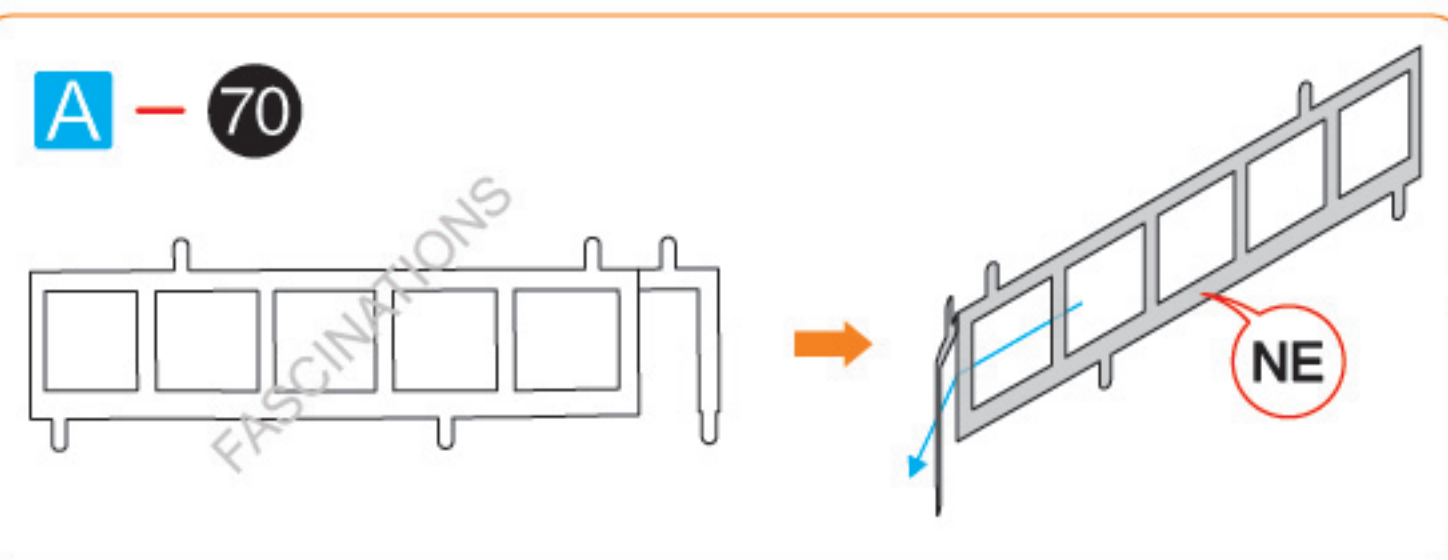
Step 19

Step 18



A - 70

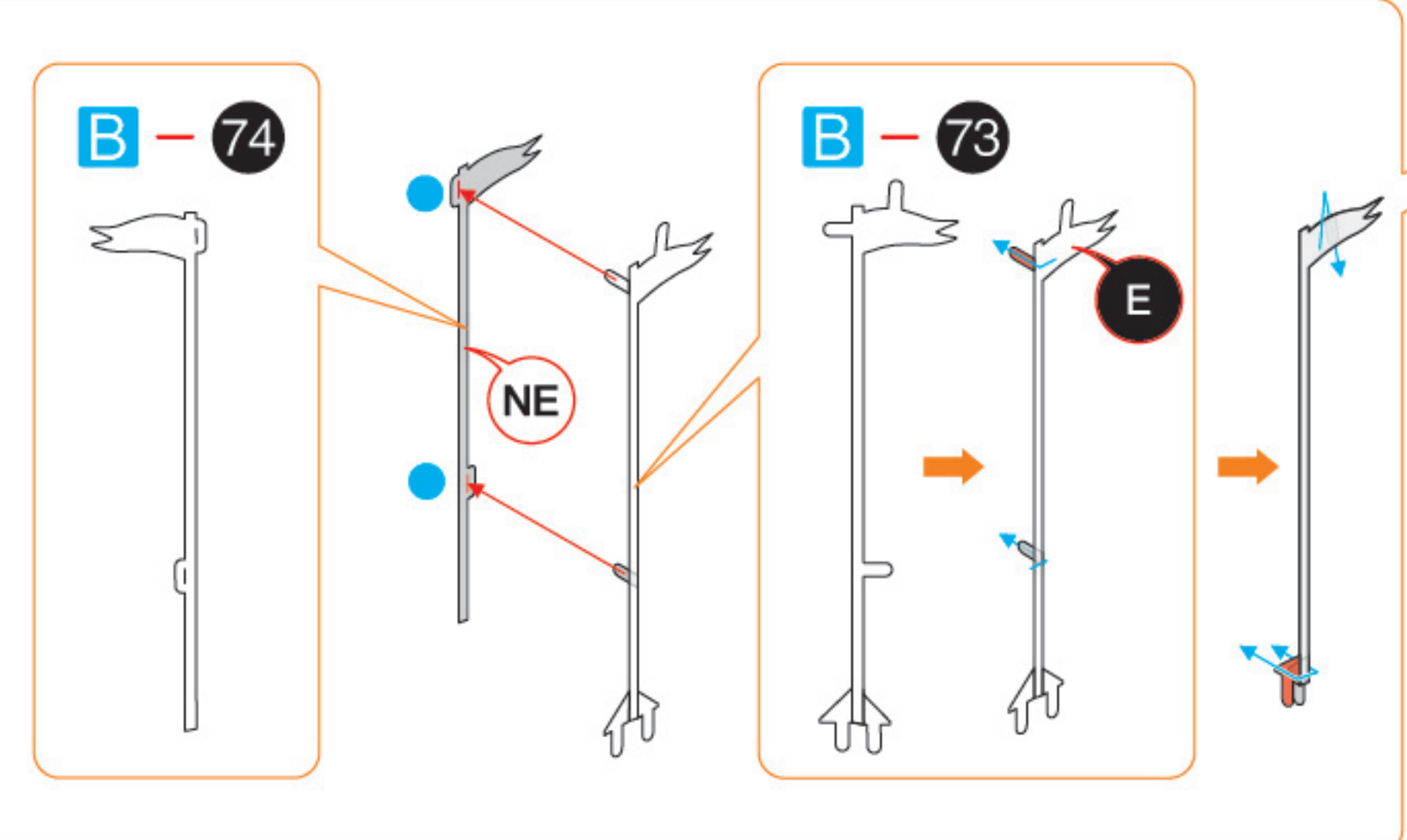
A - 69



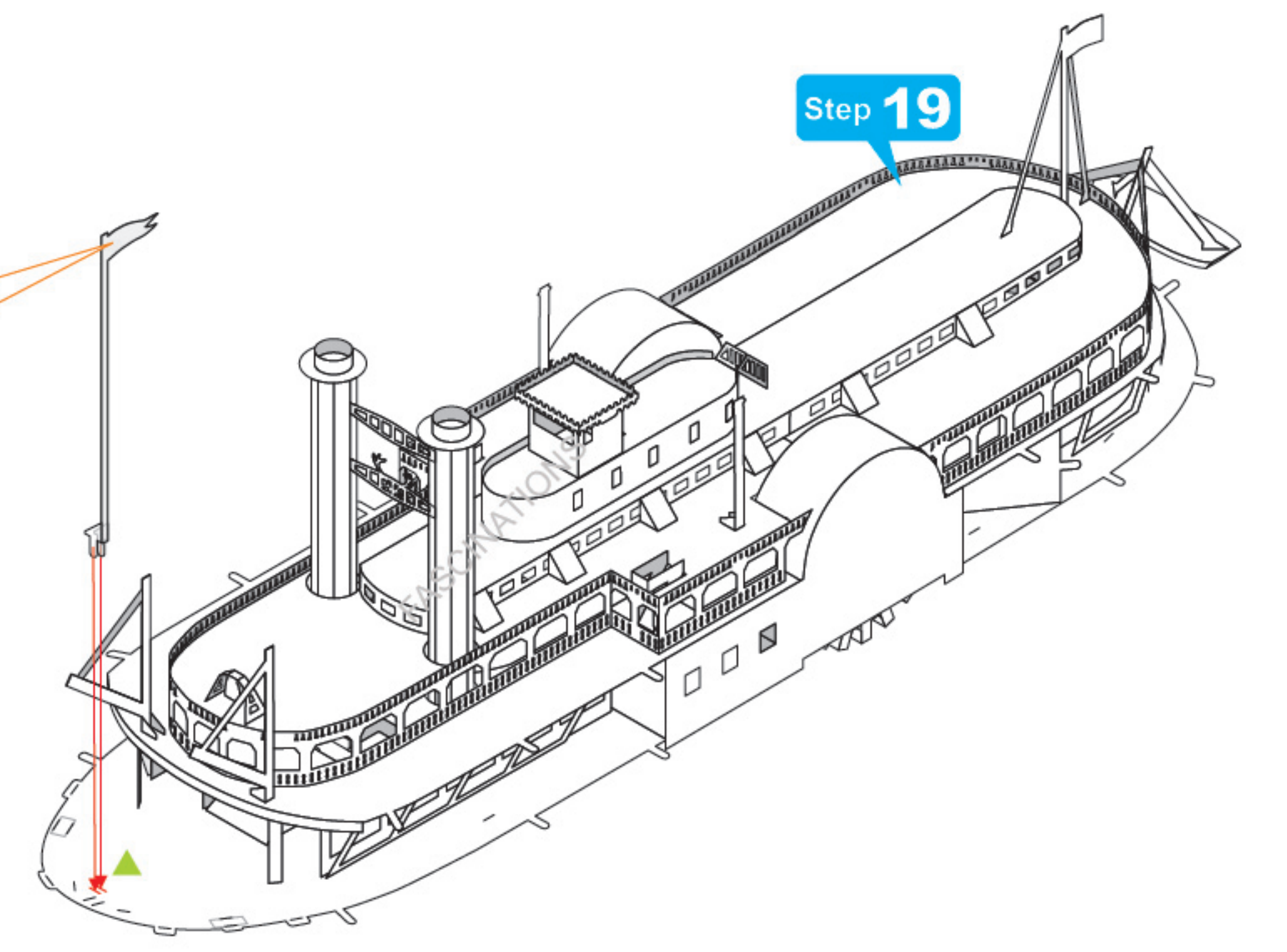
Step 20

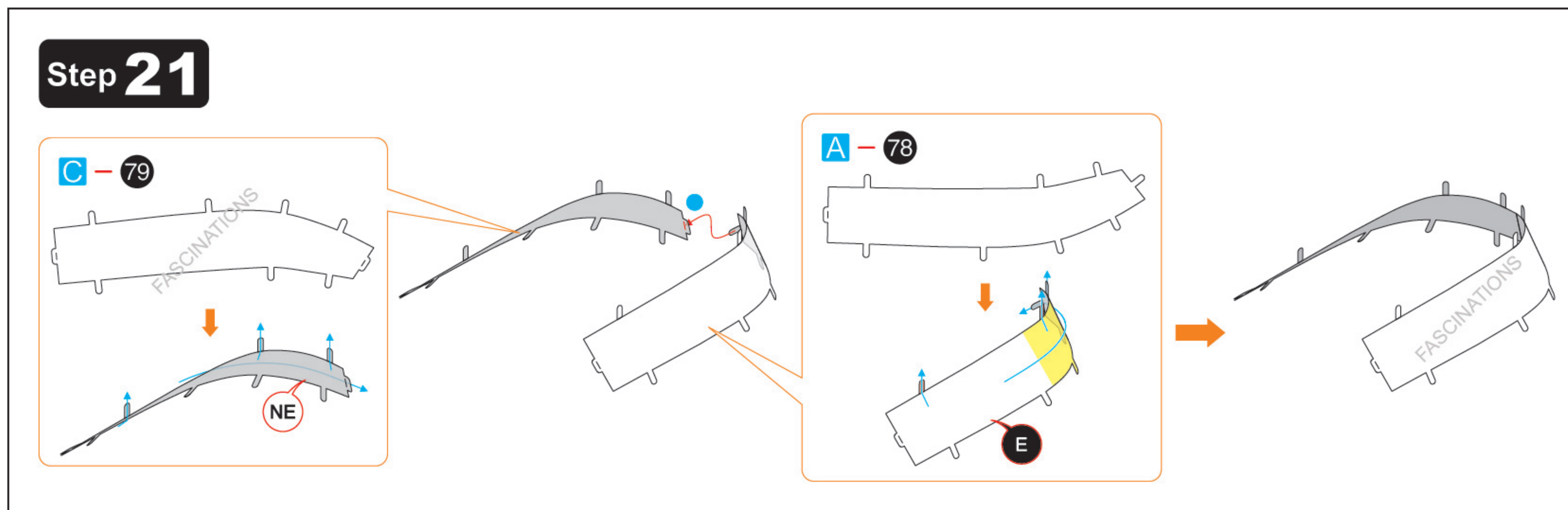
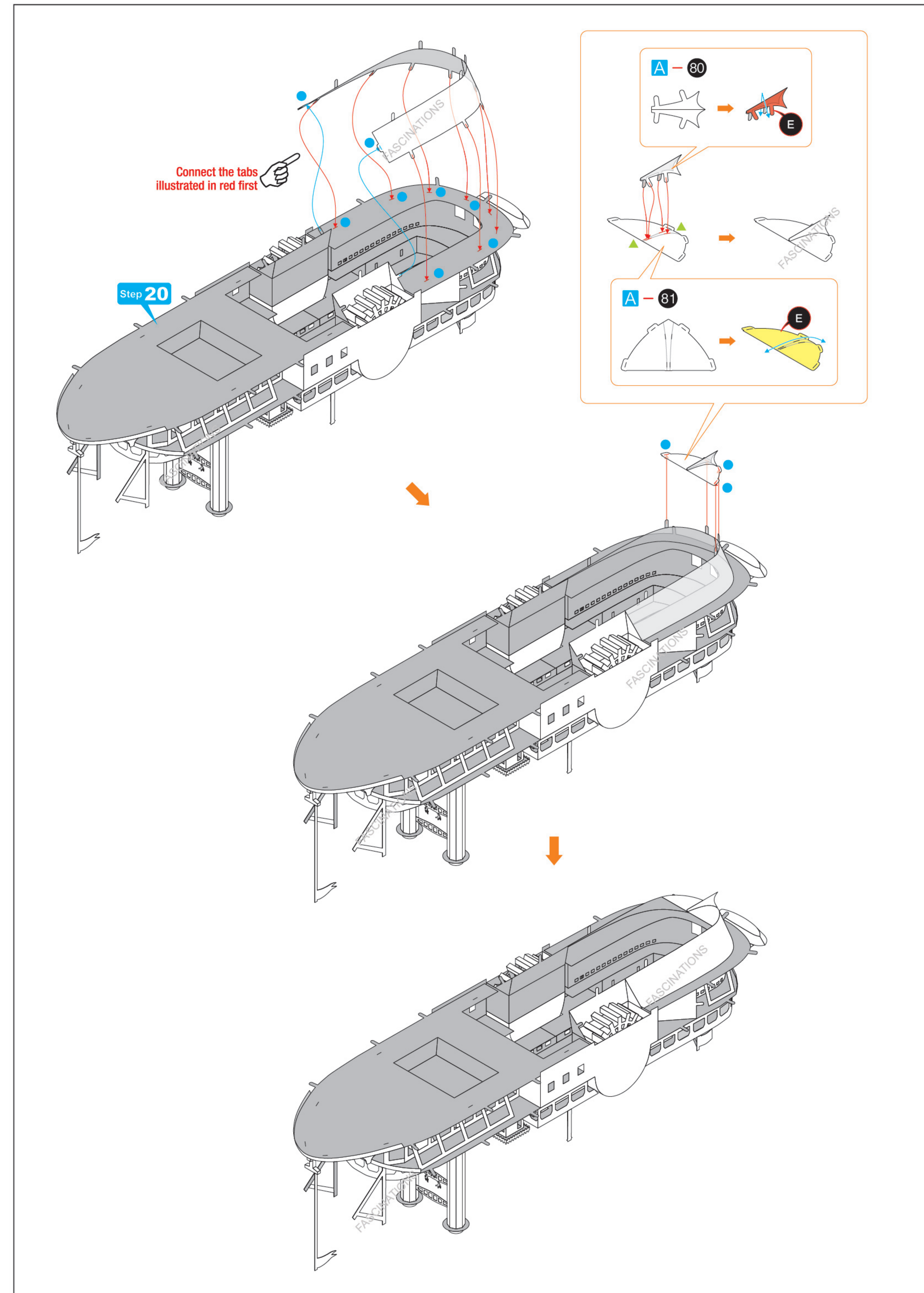
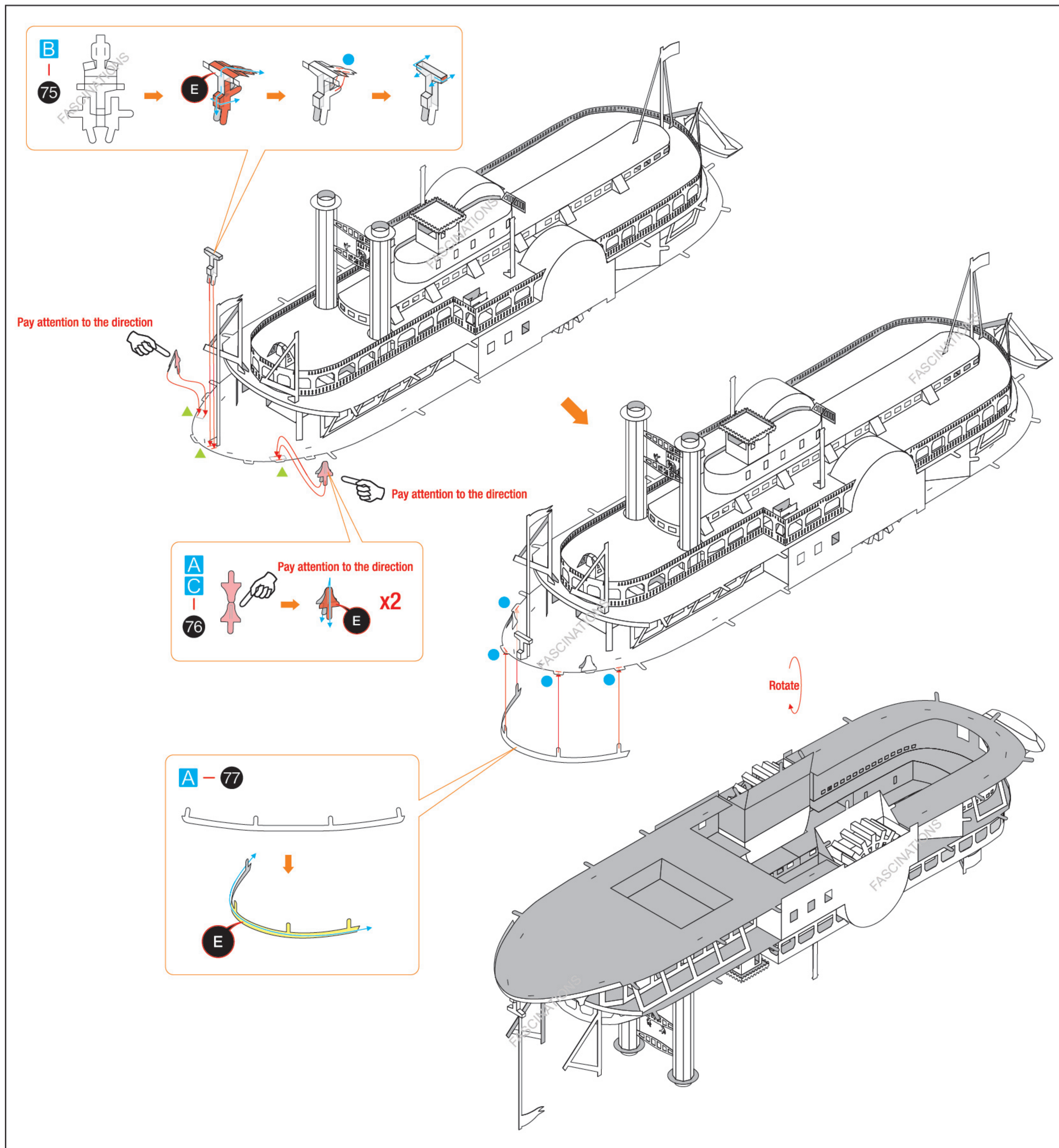
B - 74

B - 73

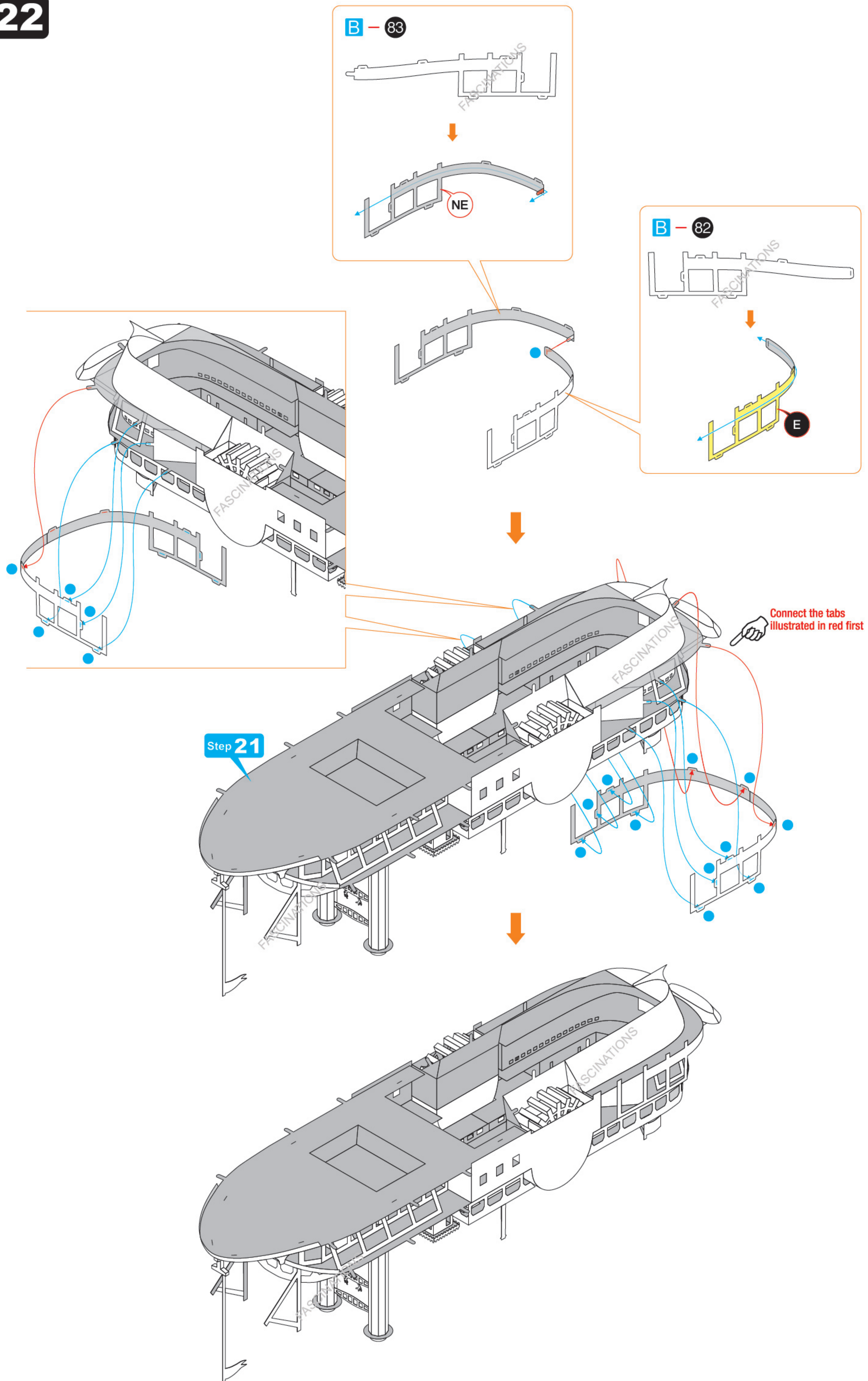


Step 19

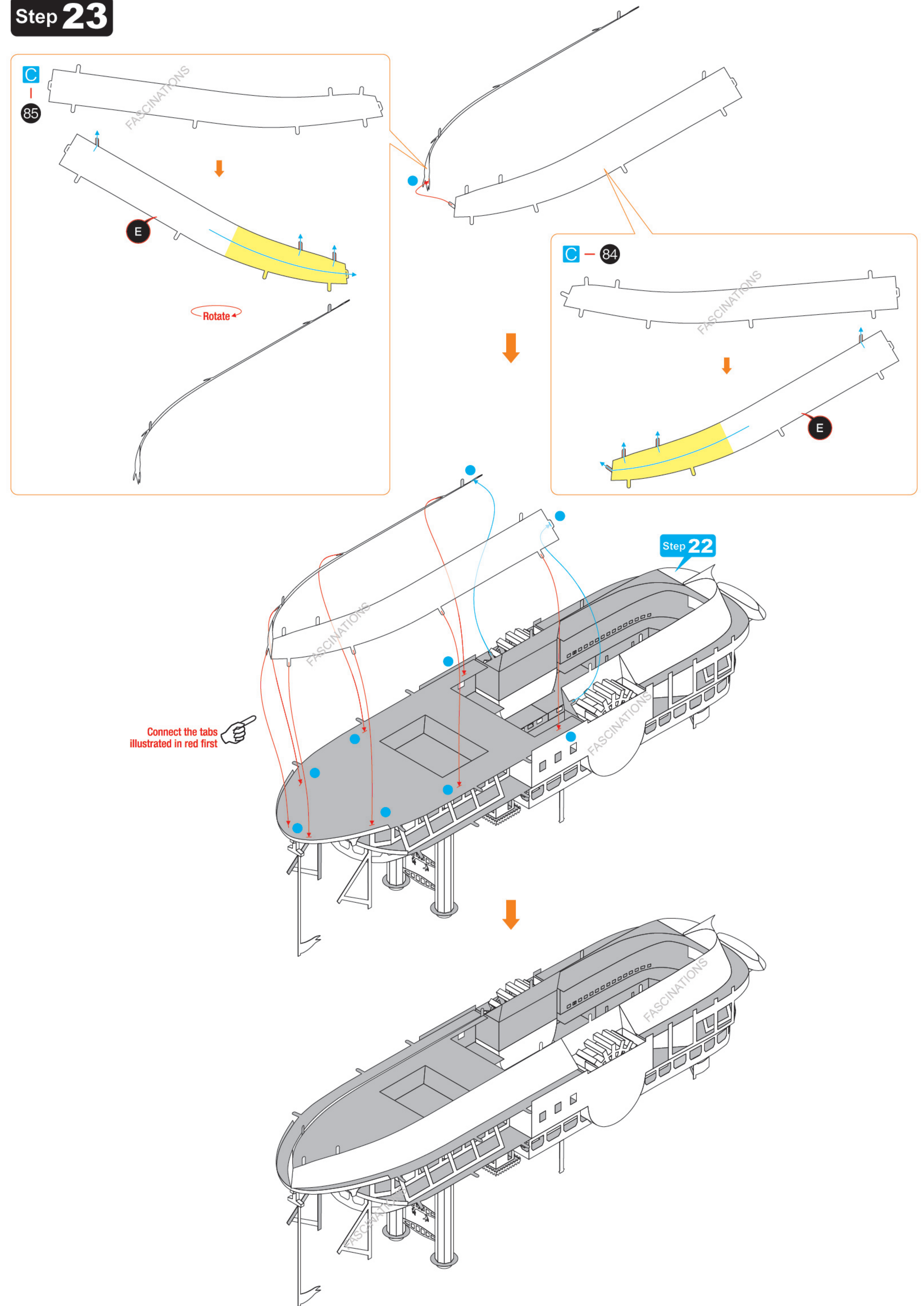


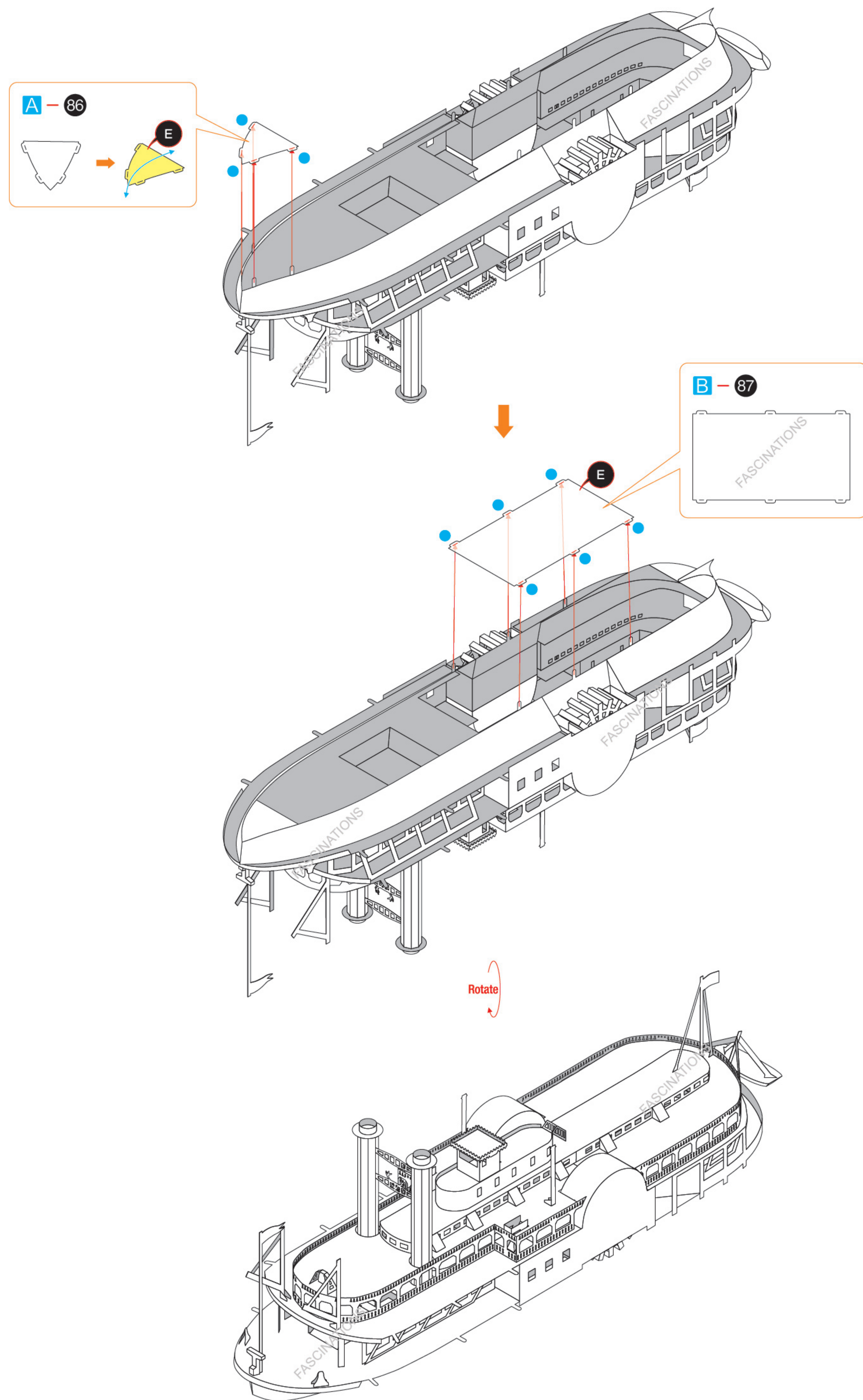


Step 22



Step 23





Step 24

