

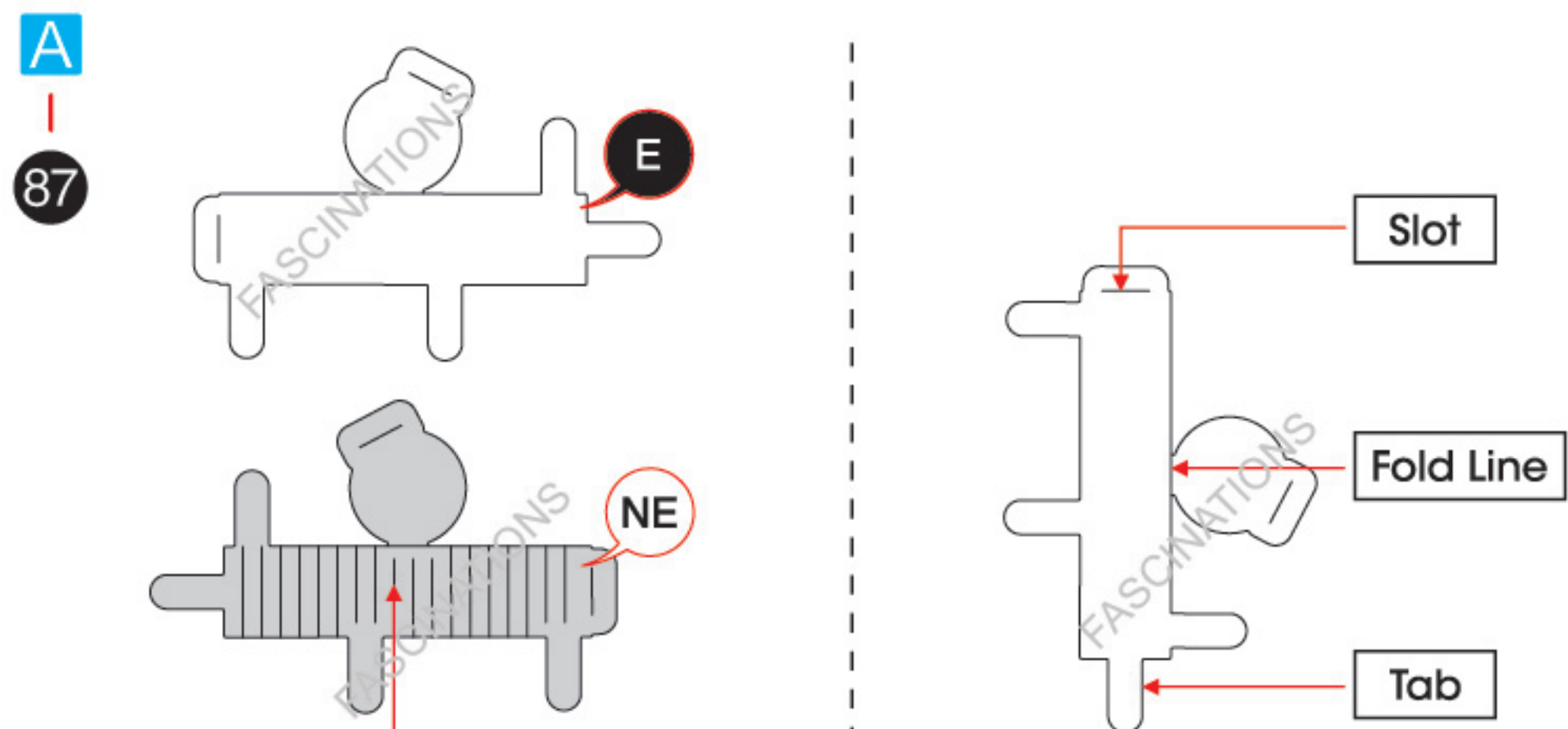
SOPWITH CAMEL ME1023



360°
view

It is highly recommended that you visit
www.metalearth.com/360/ME1023
to see the completed model before assembling your own

TO CREATE THE BEST CONNECTIONS



Consider these engraved stripes as supporting features for the bend

Legends:

- Engraved/ Color side
- Non - engraved/ Silver side
- Attention point
- Insert tab and bend 90 degrees
- Insert tab and twist 90 degrees

Assembly tip:

If needed, slightly twist tabs to hold parts together then untwist and bend them down for a nice finish.

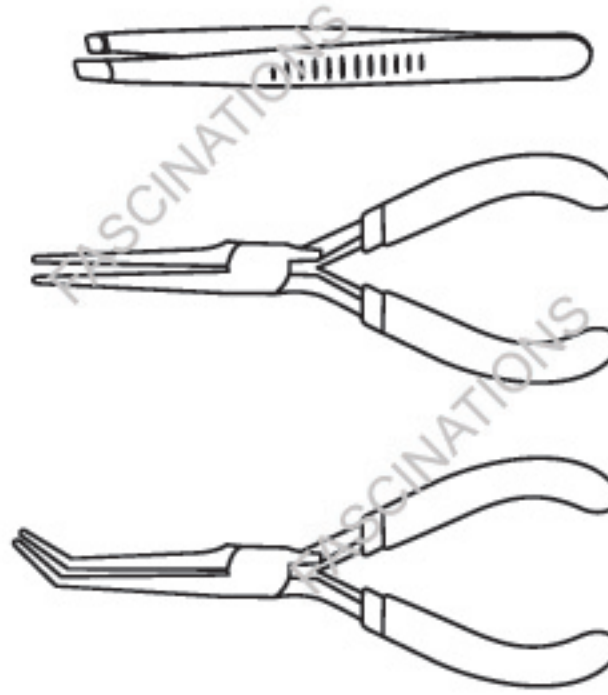
- Yellow areas should be curled
- Red areas should be folded

Recommended tools:

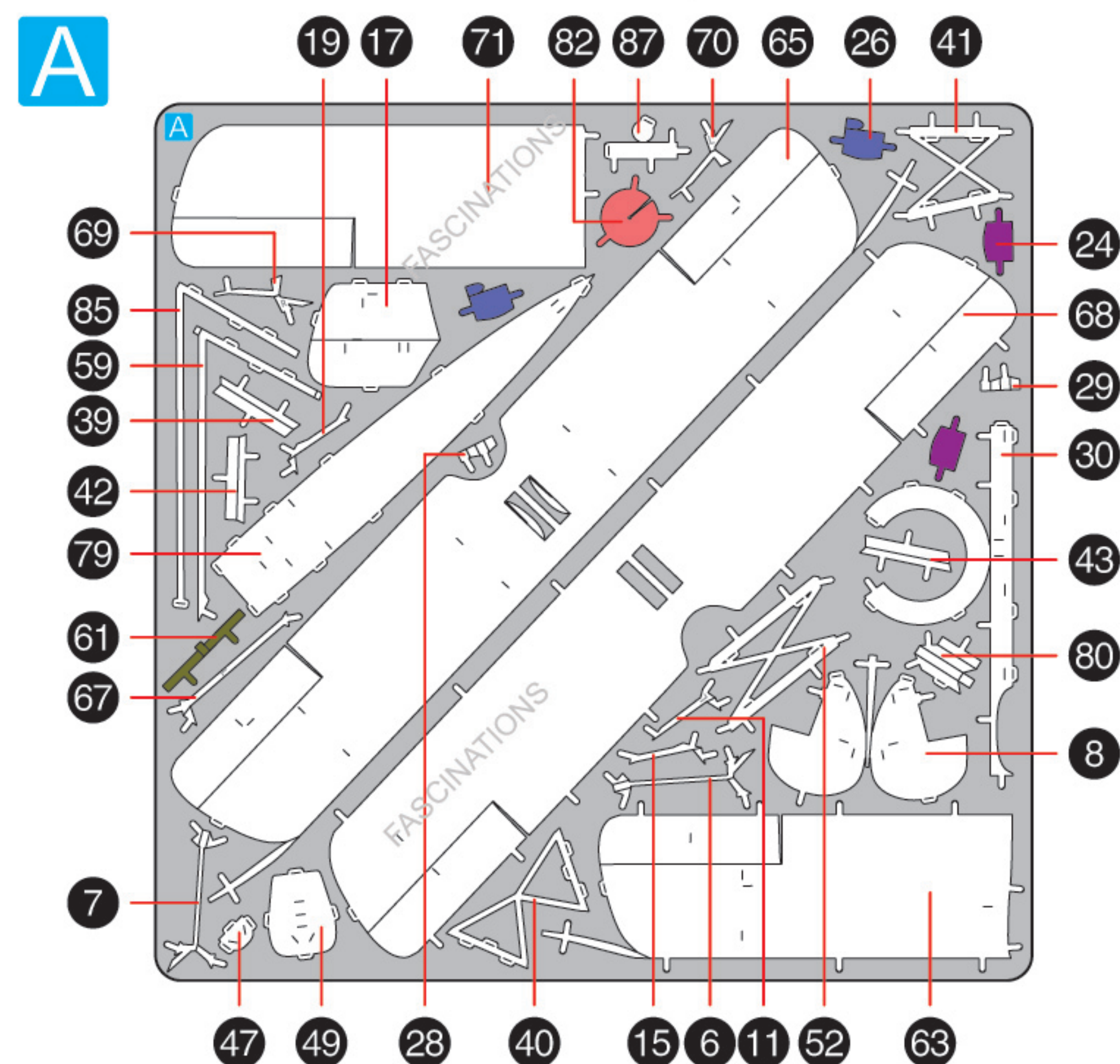
- Wire cutters: helpful for taking parts from the metal sheets.



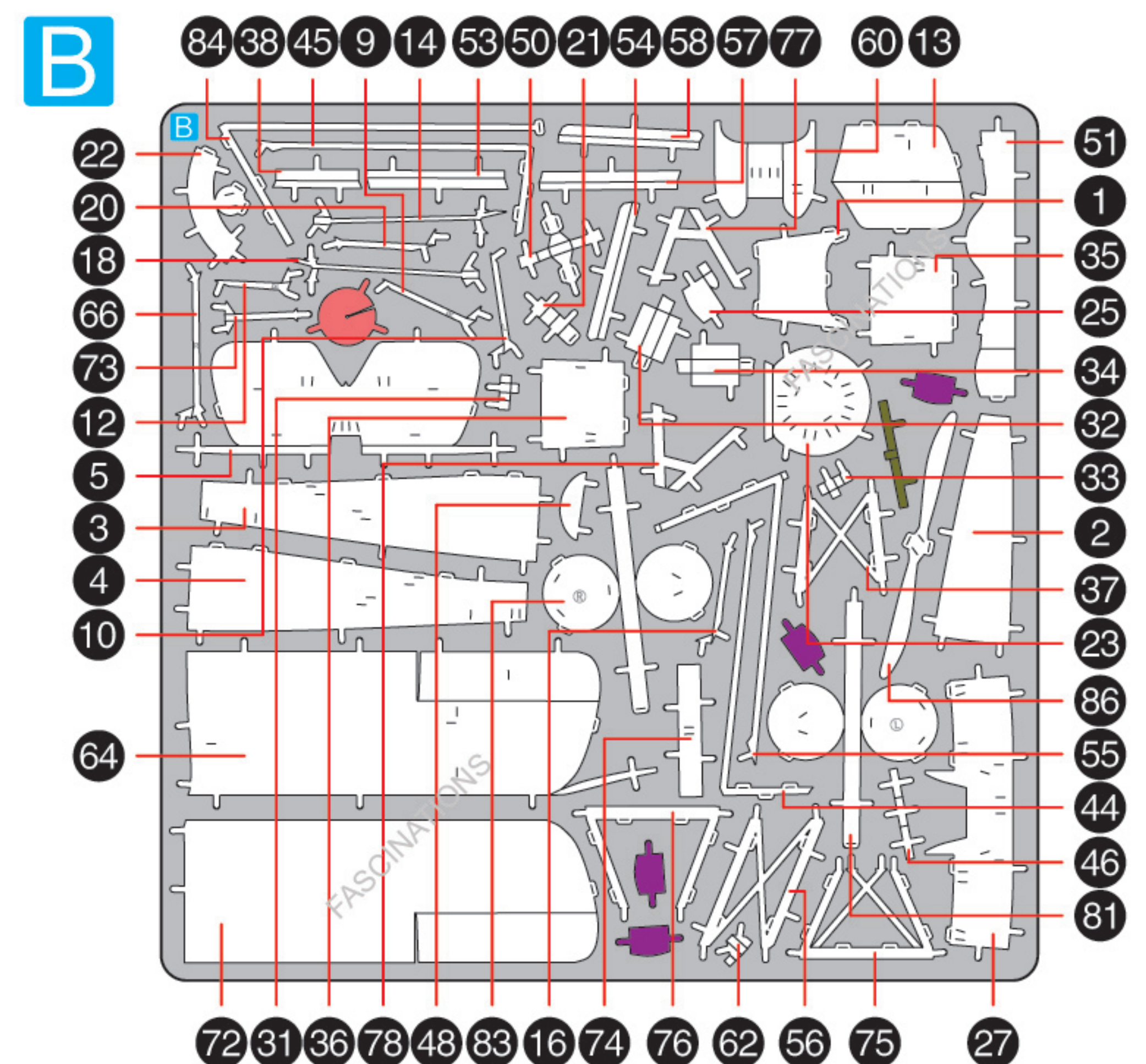
- Tweezers or needle nose pliers: helpful for folding parts, bending and twisting tabs.



METAL SHEETS

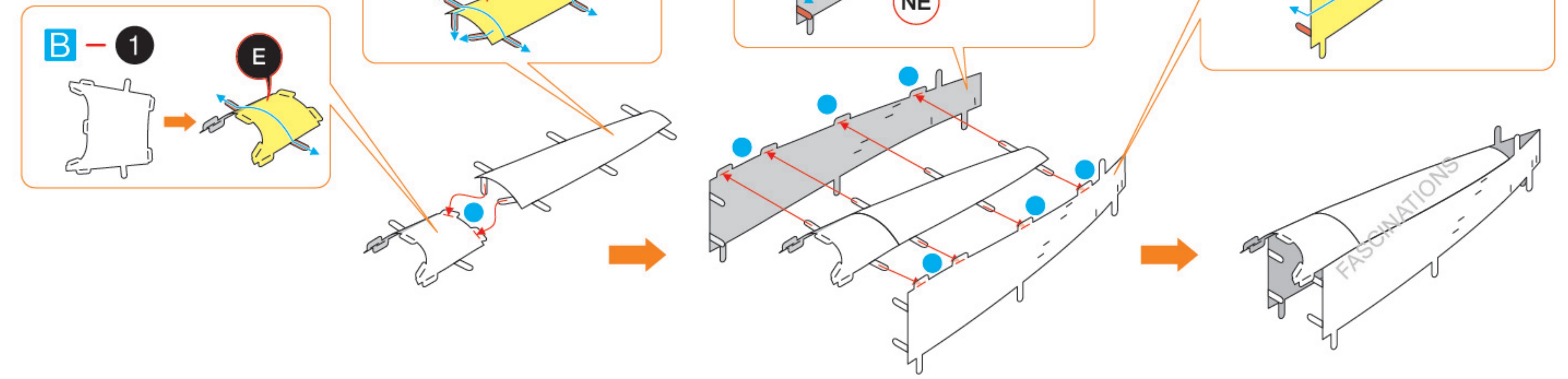


Parts with same color are duplicates

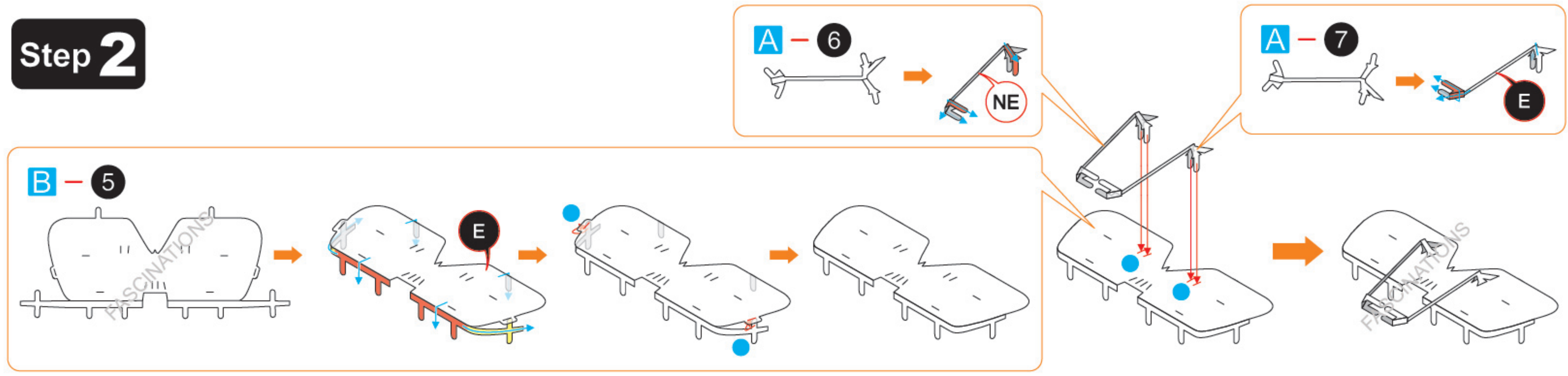


ASSEMBLY FLOW CHART

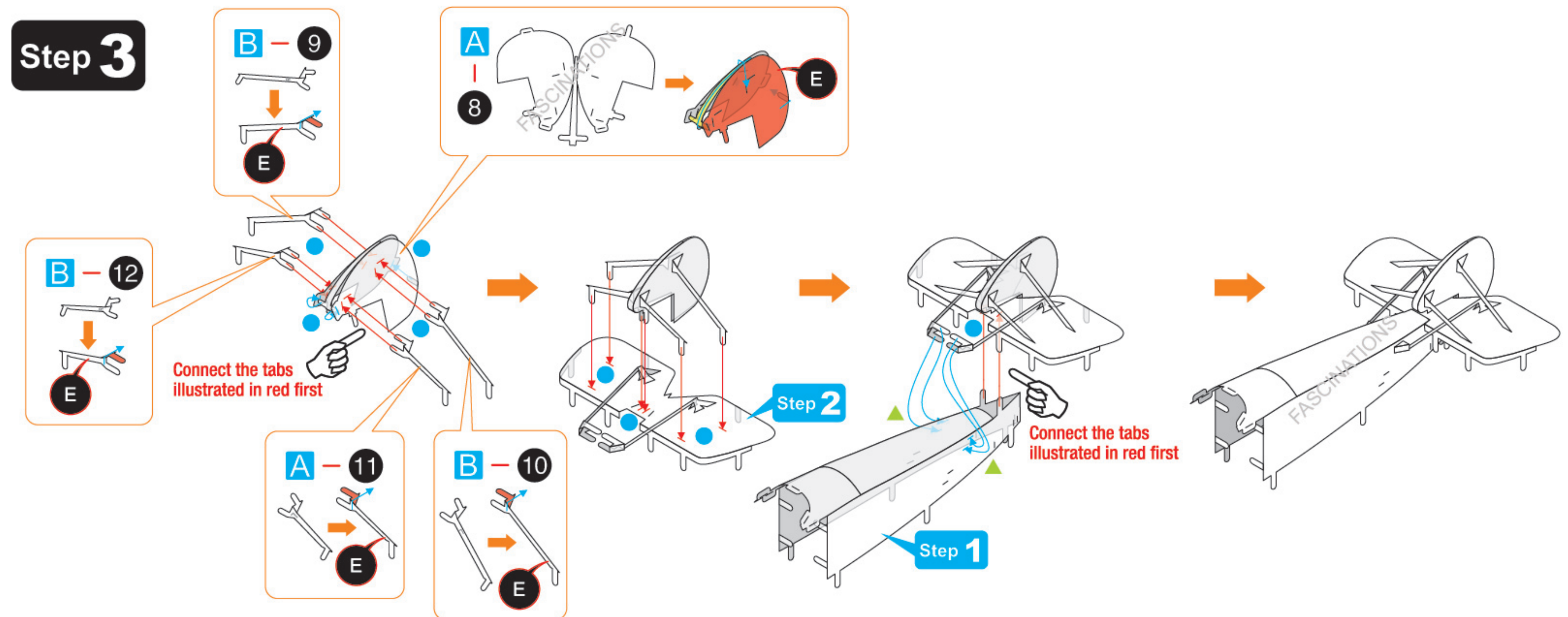
Step 1



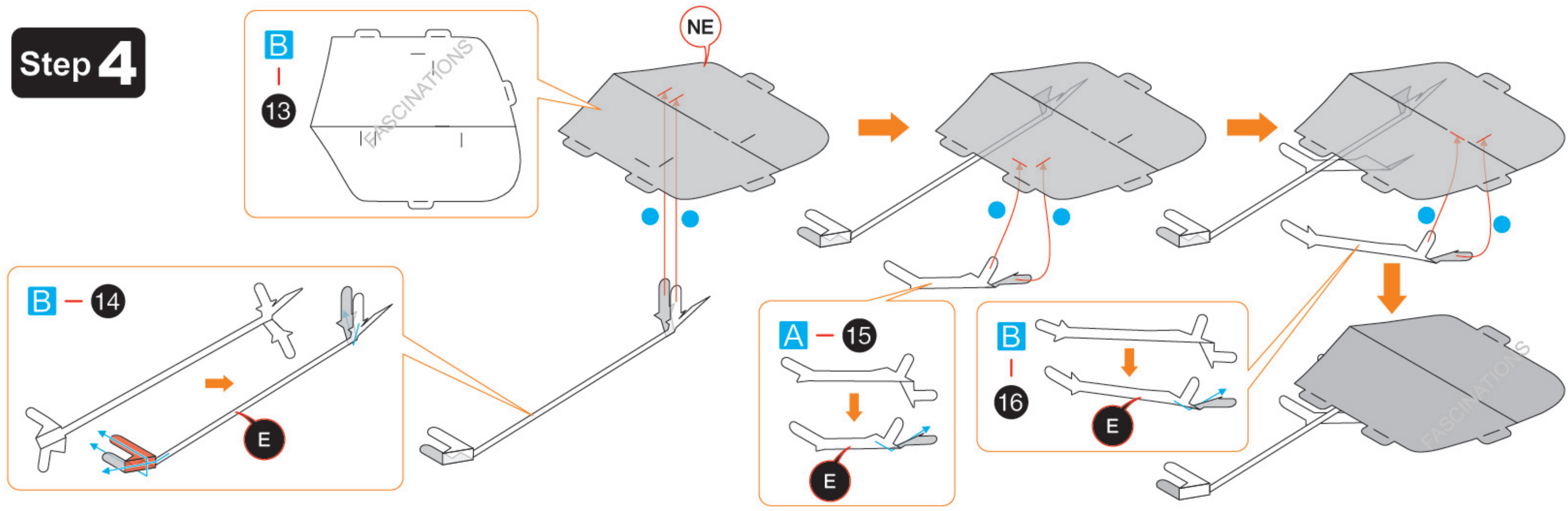
Step 2



Step 3

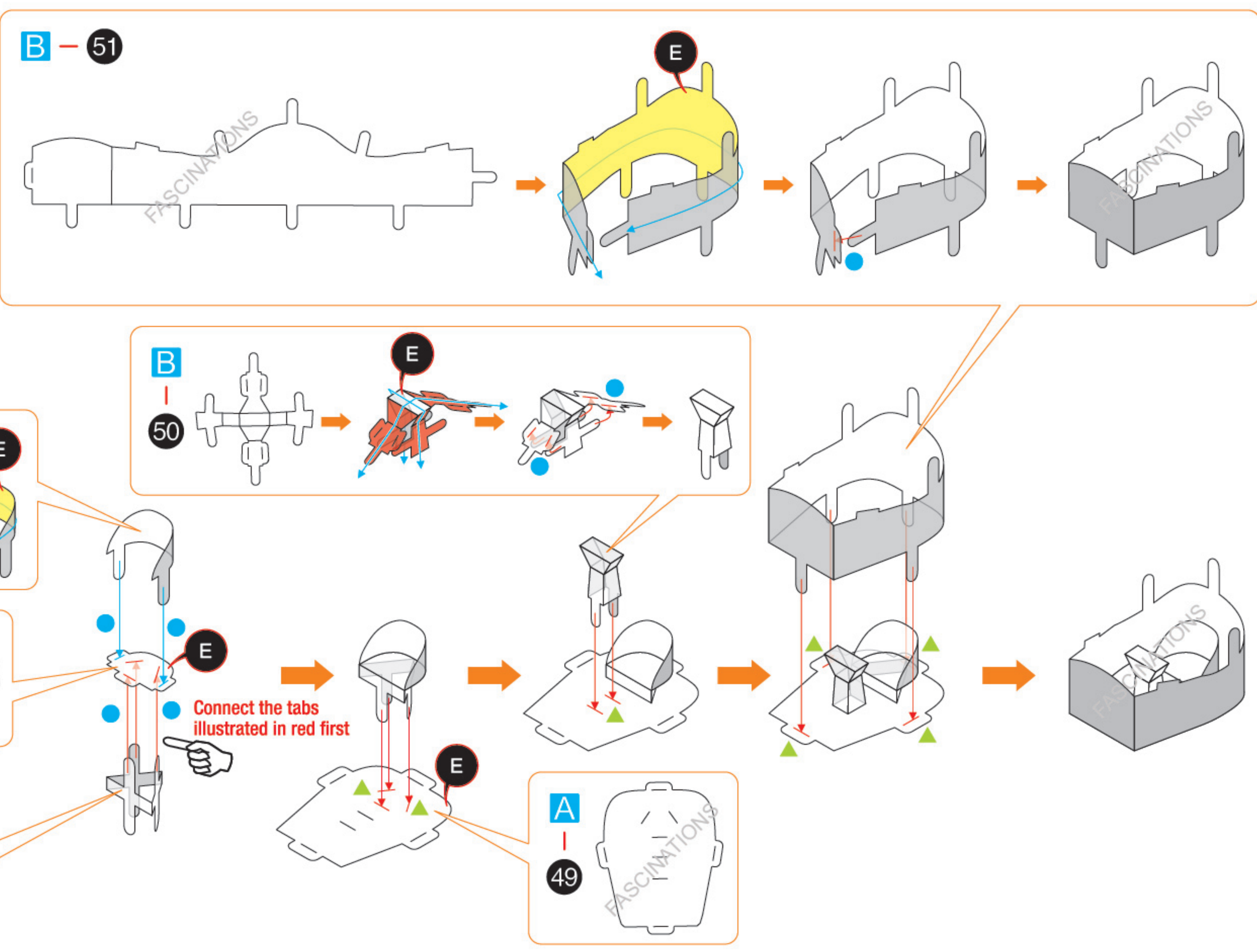


Step 4

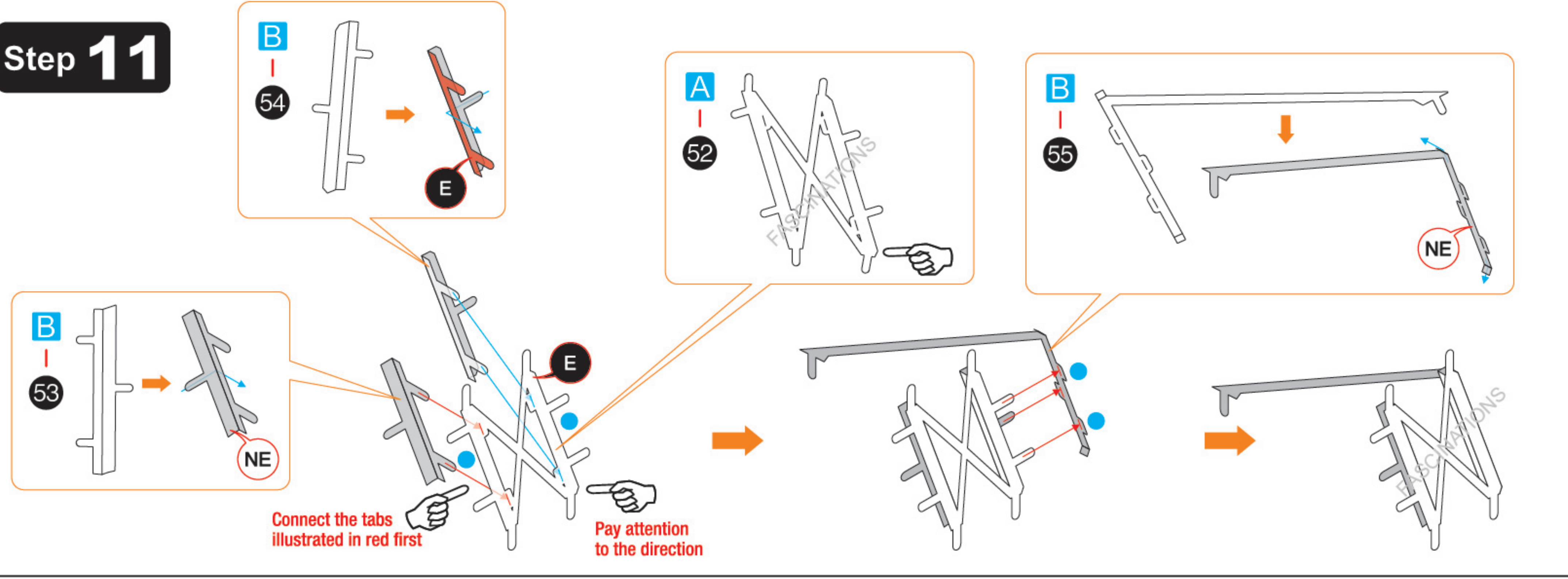


In order to avoid possible injury from sharp edges, please carefully discard the metal sheets after parts have been removed.

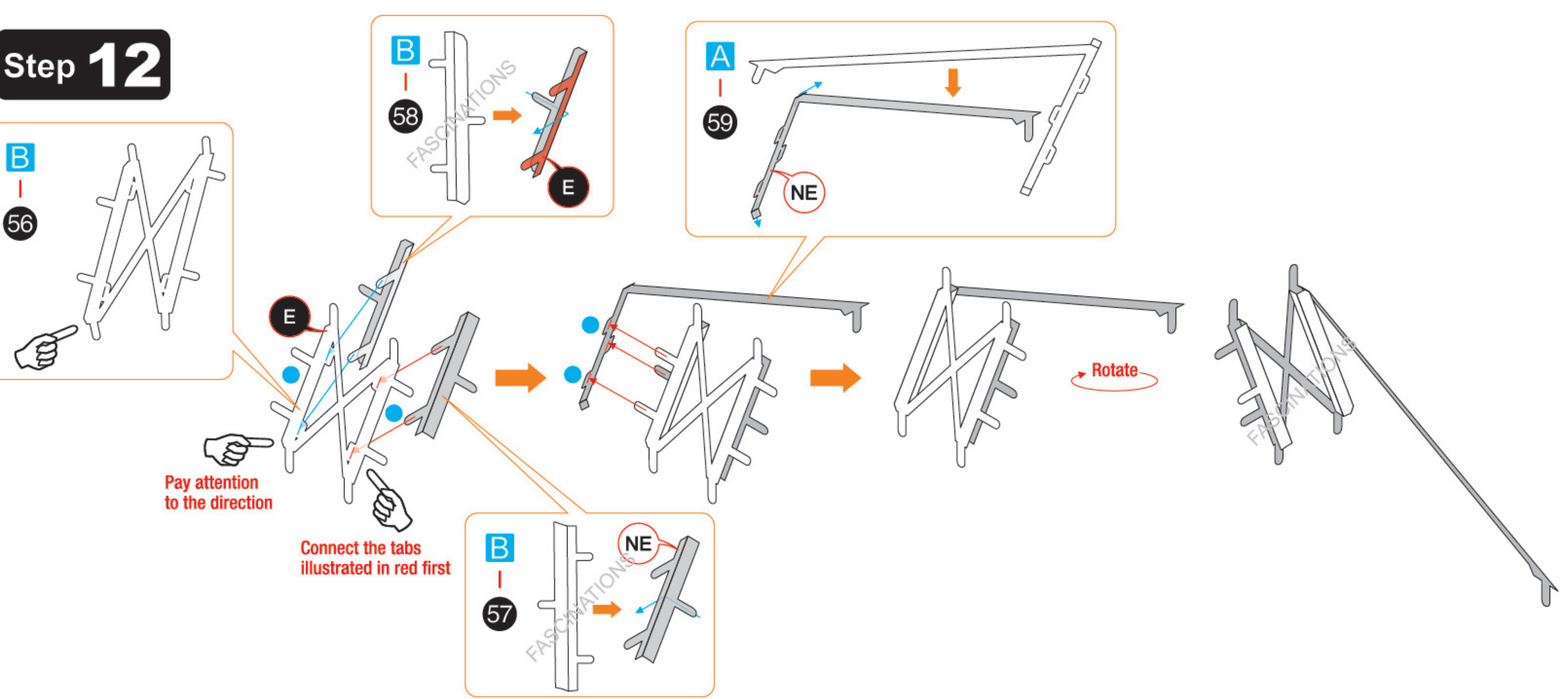
Step 10



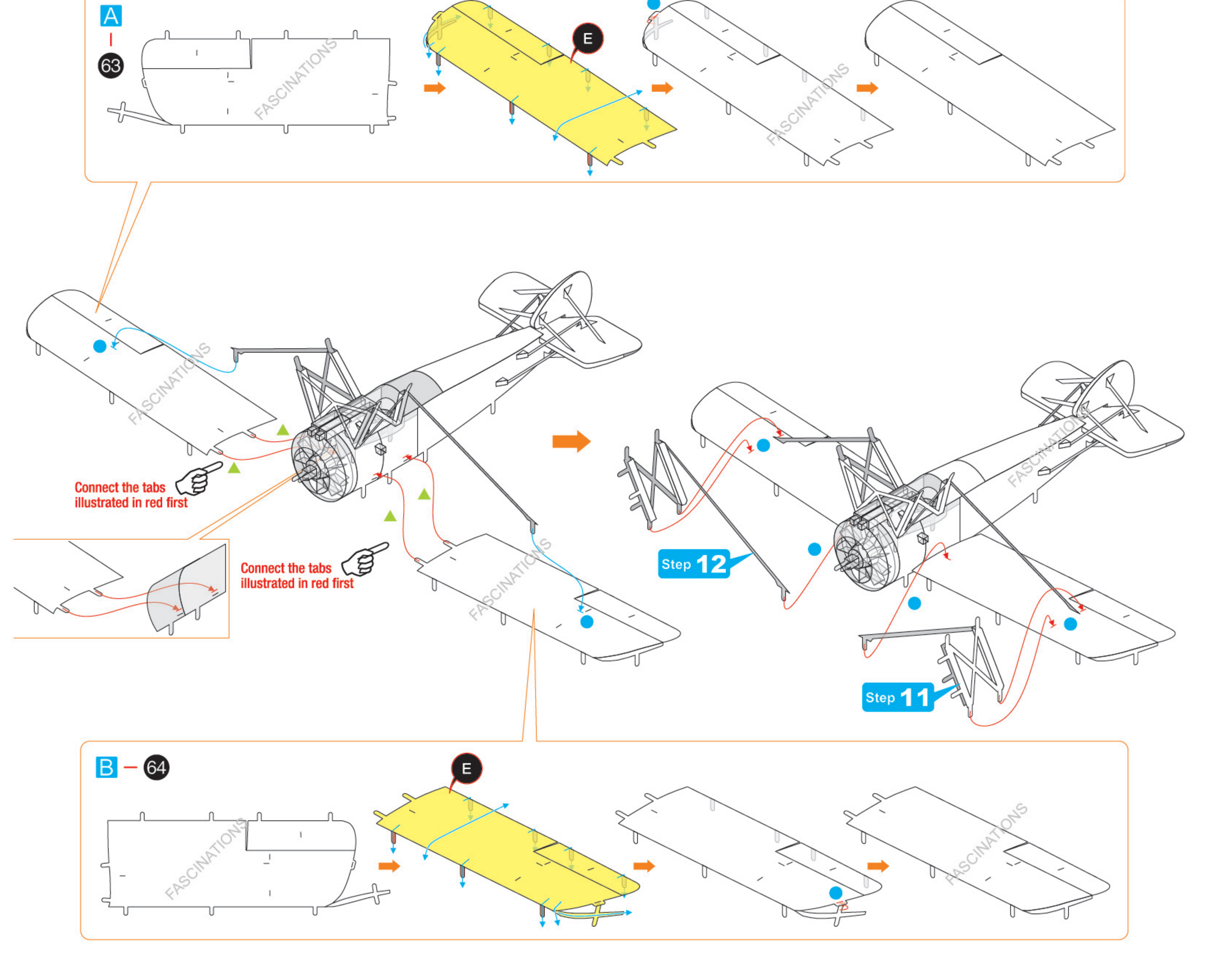
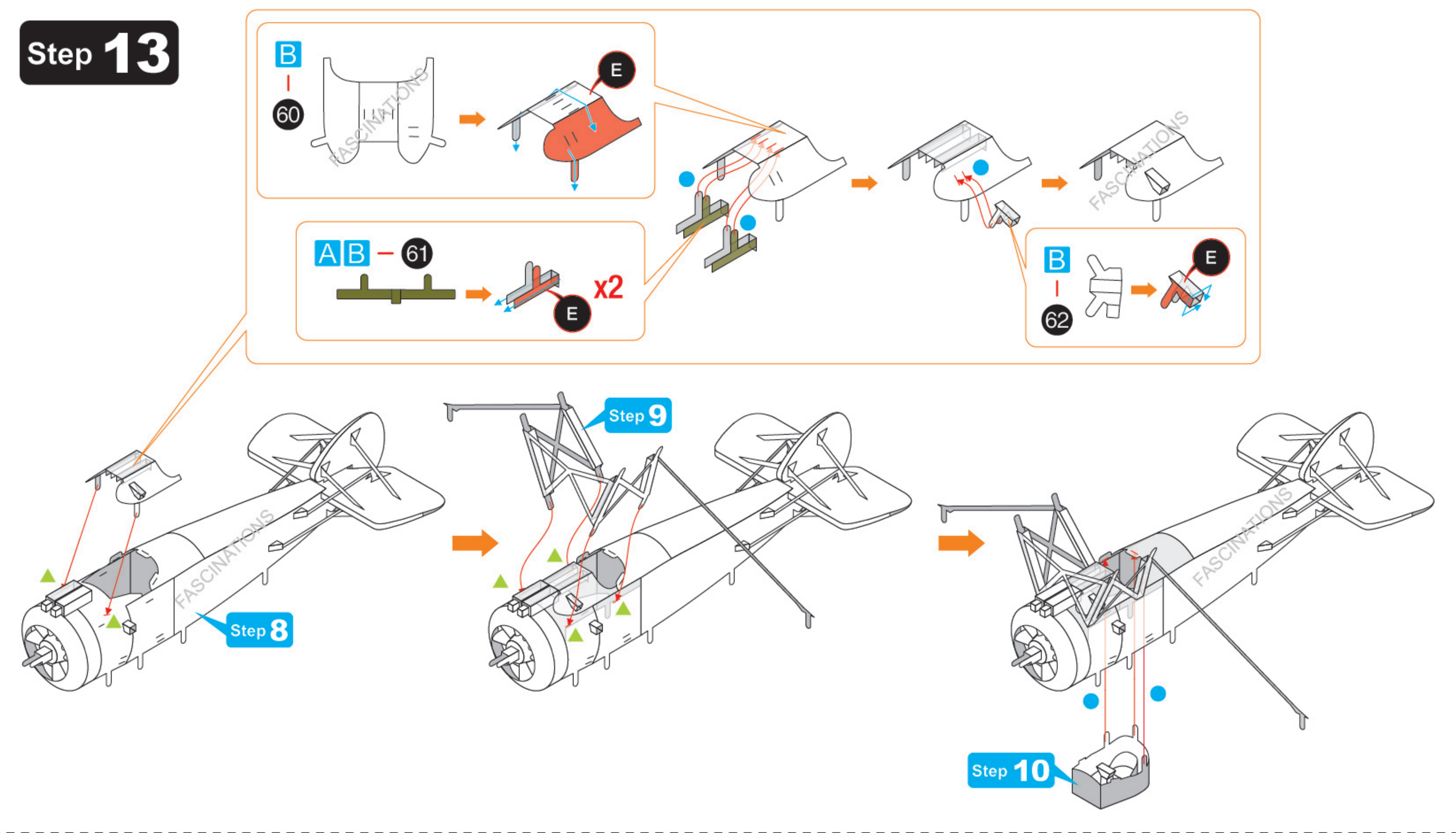
Step 11

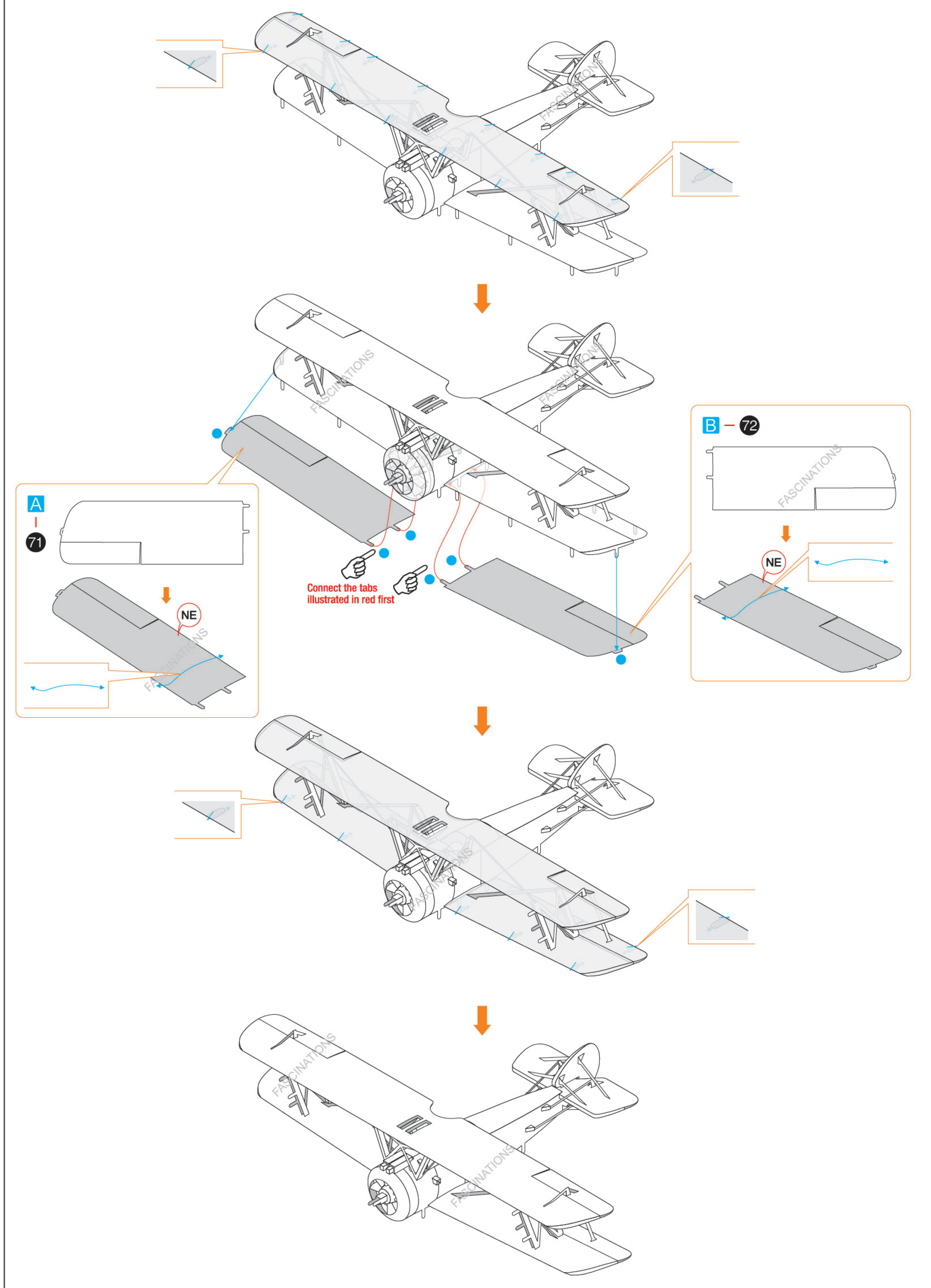
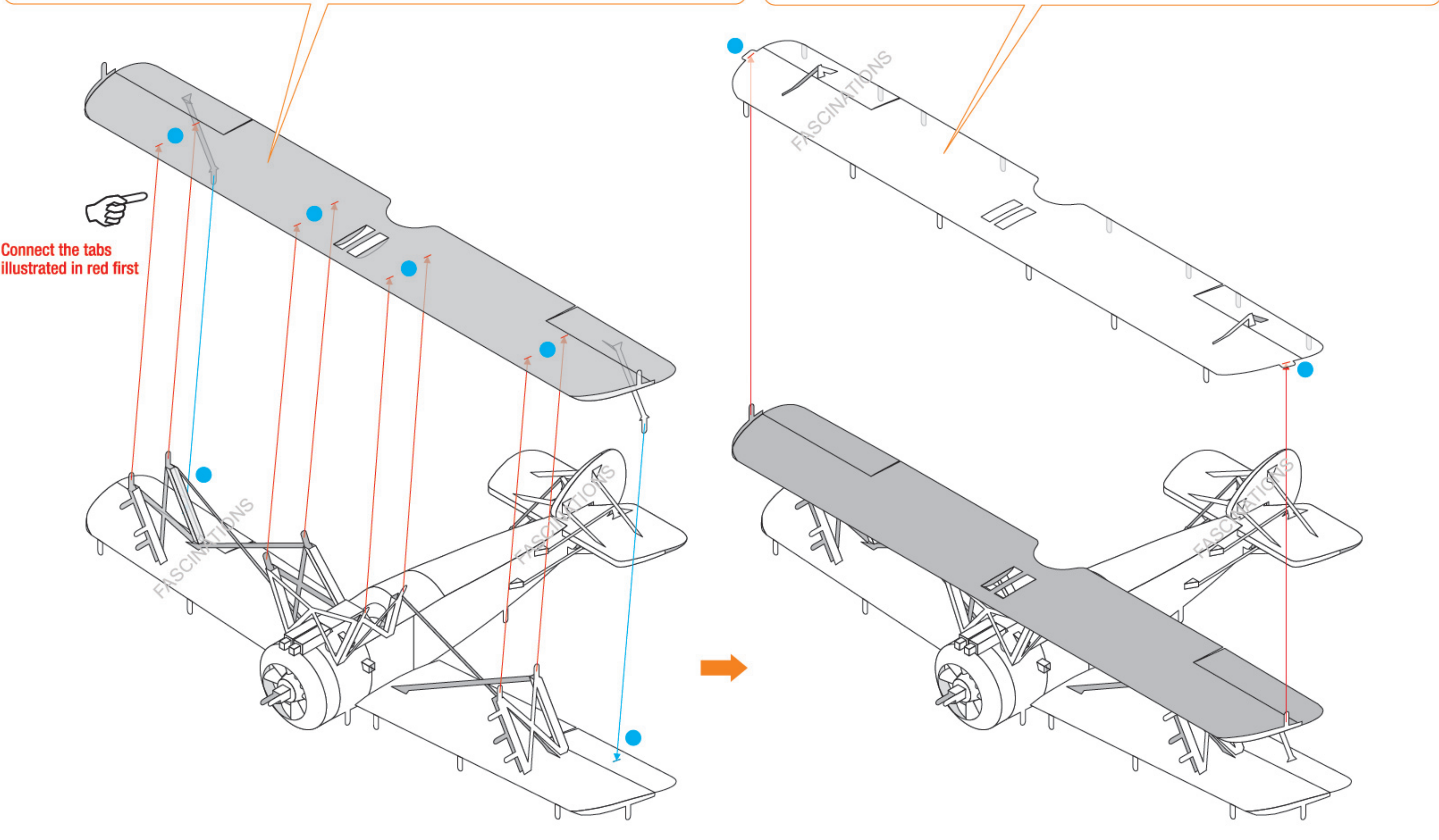
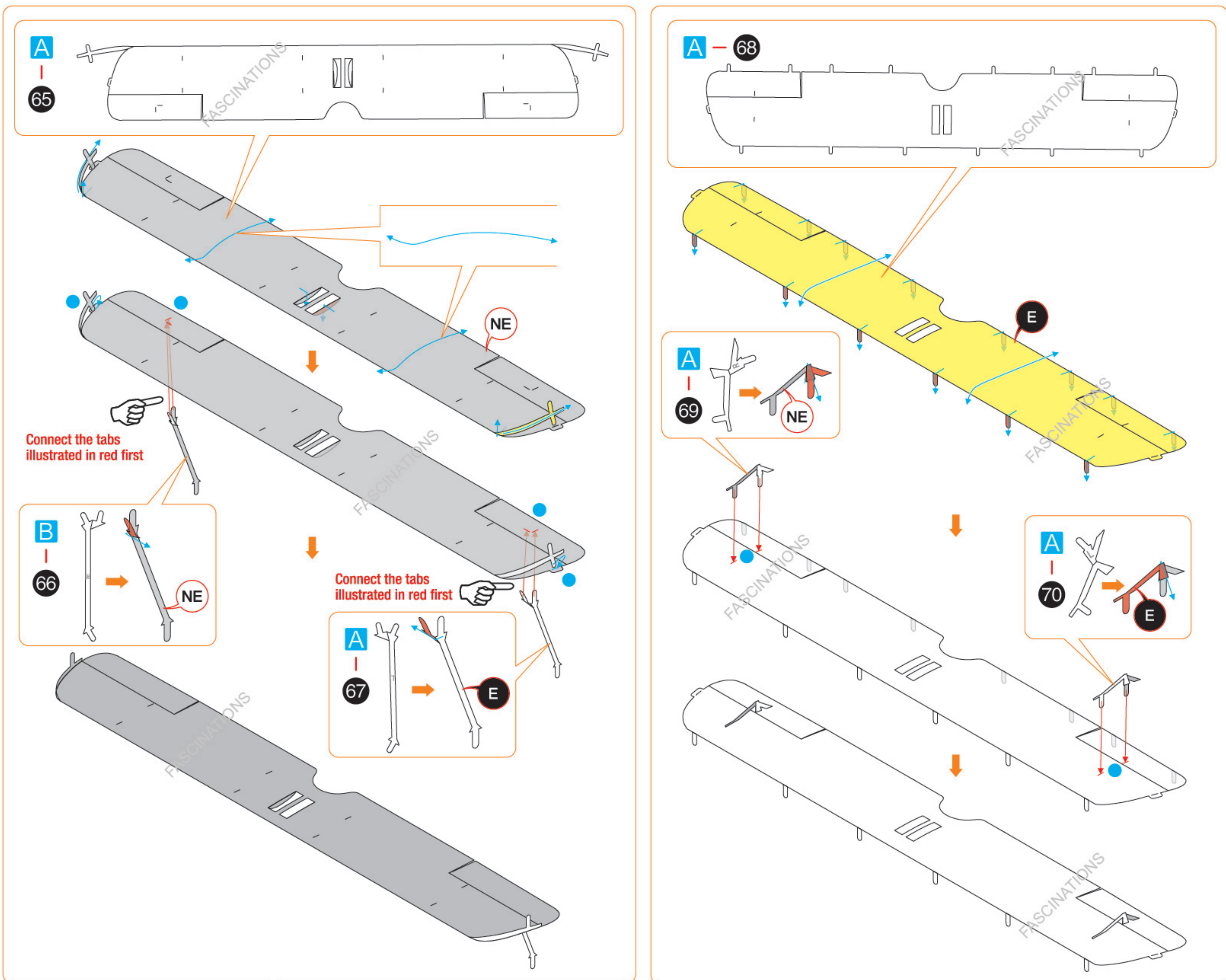


Step 12



Step 13





Step 19

