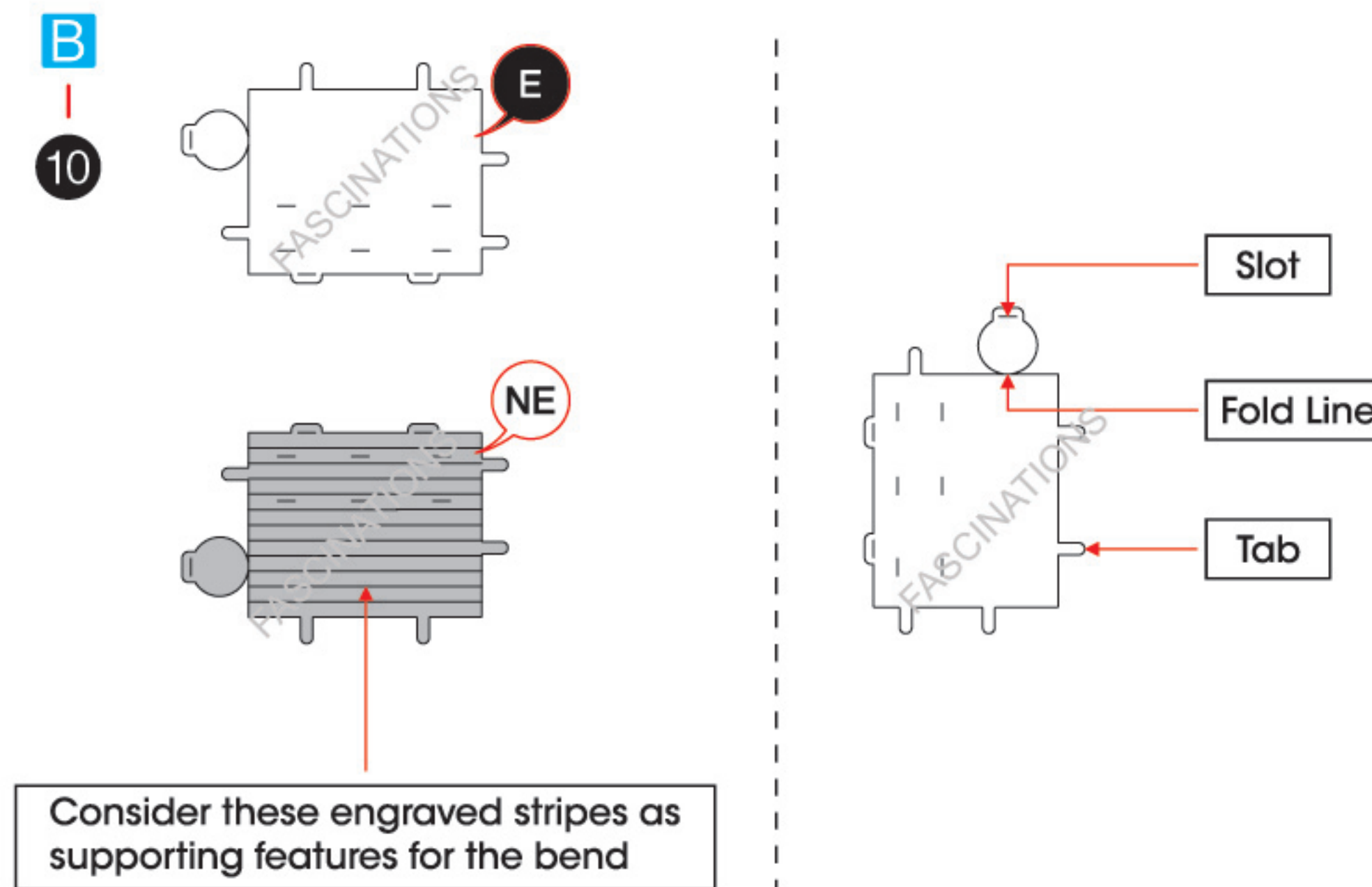


**BRITISH MARK IV**  
ME1022



It is highly recommended that you visit [www.metalearth.com/360/ME1022](http://www.metalearth.com/360/ME1022) to see the completed model before assembling your own

## TO CREATE THE BEST CONNECTIONS



### Legends:

- E Engraved / Color side
- NE Non - engraved / Silver side
- Attention point
- Insert tab and bend 90 degrees
- ▲ Insert tab and twist 90 degrees

### Recommended tools:

- Wire cutters: helpful for taking parts from the metal sheets.
- Tweezers or needle nose pliers: helpful for folding parts, bending and twisting tabs.

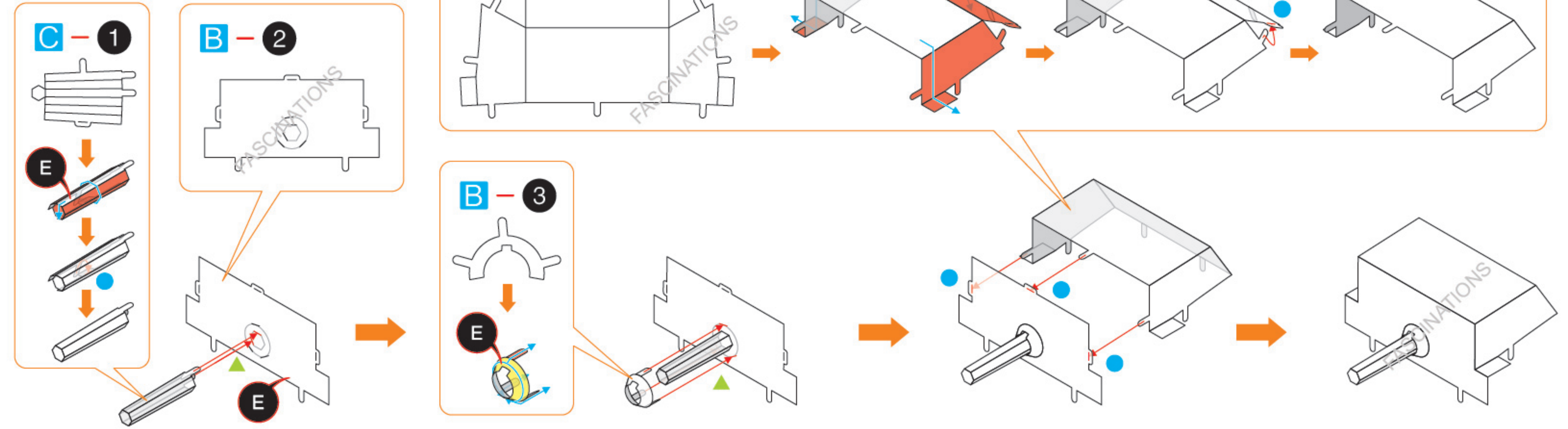
### Assembly tip:

If needed, slightly twist tabs to hold parts together then untwist and bend them down for a nice finish.

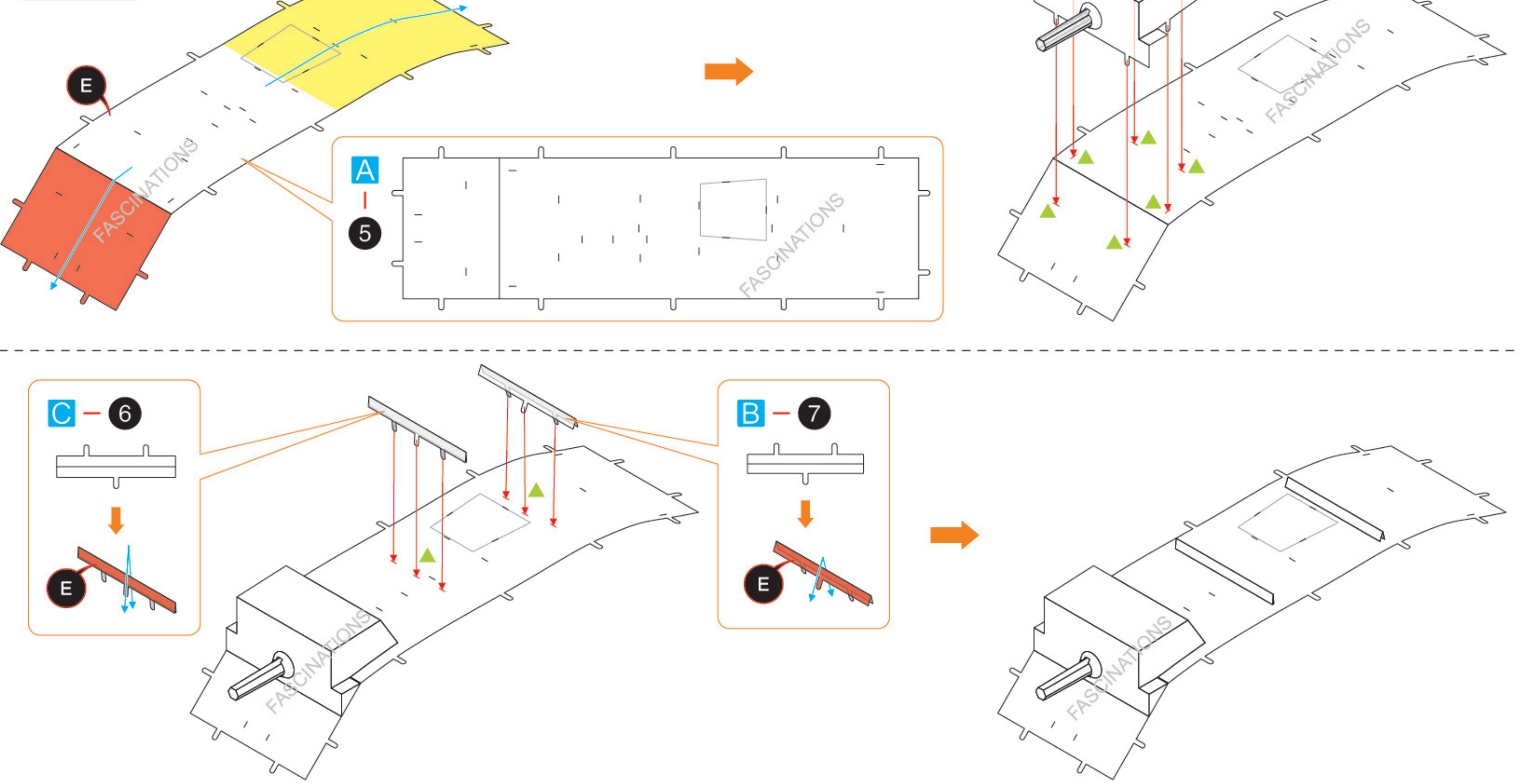
- Yellow areas should be curled
- Red areas should be folded

## ASSEMBLY FLOW CHART

### Step 1

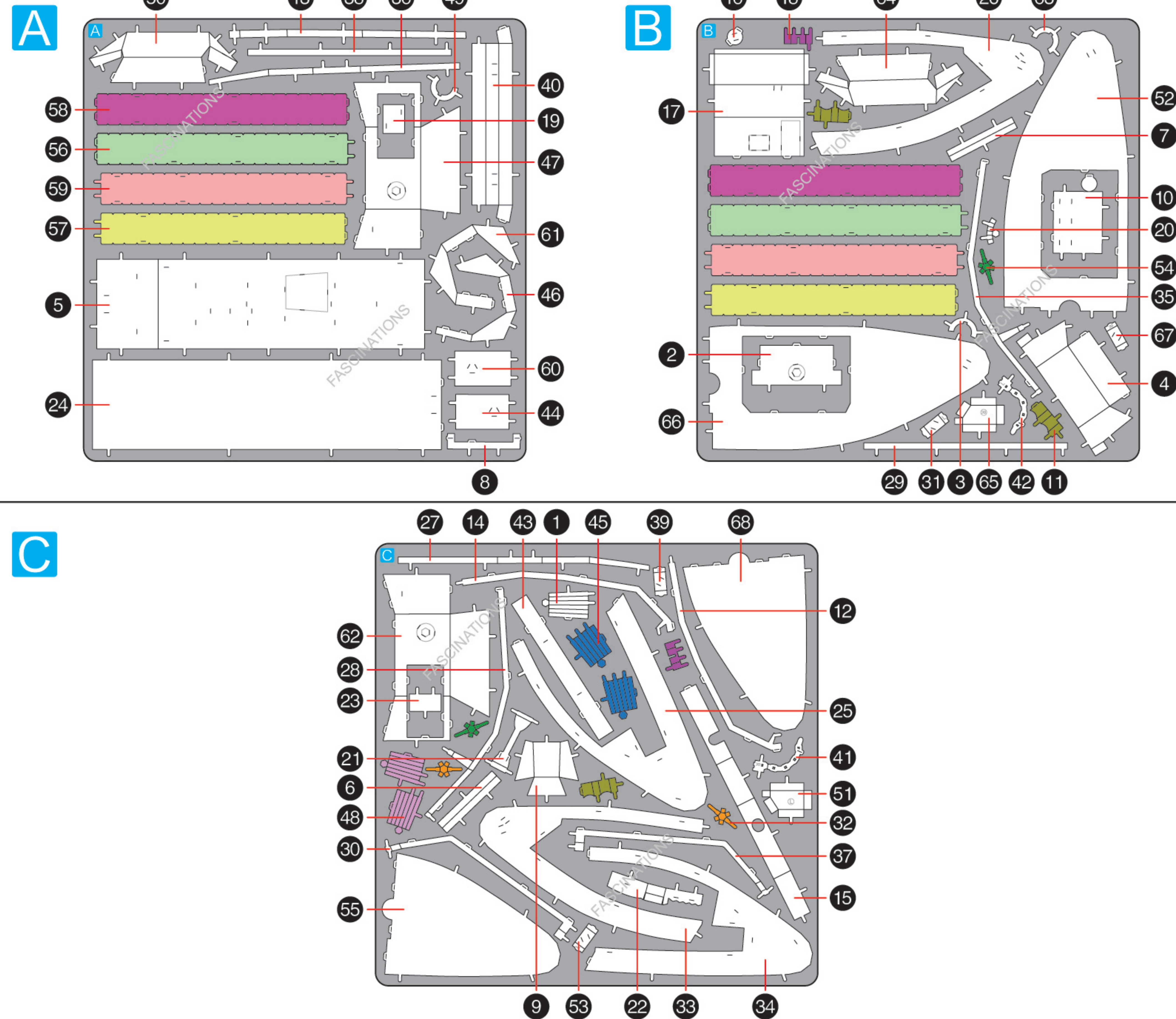


### Step 2

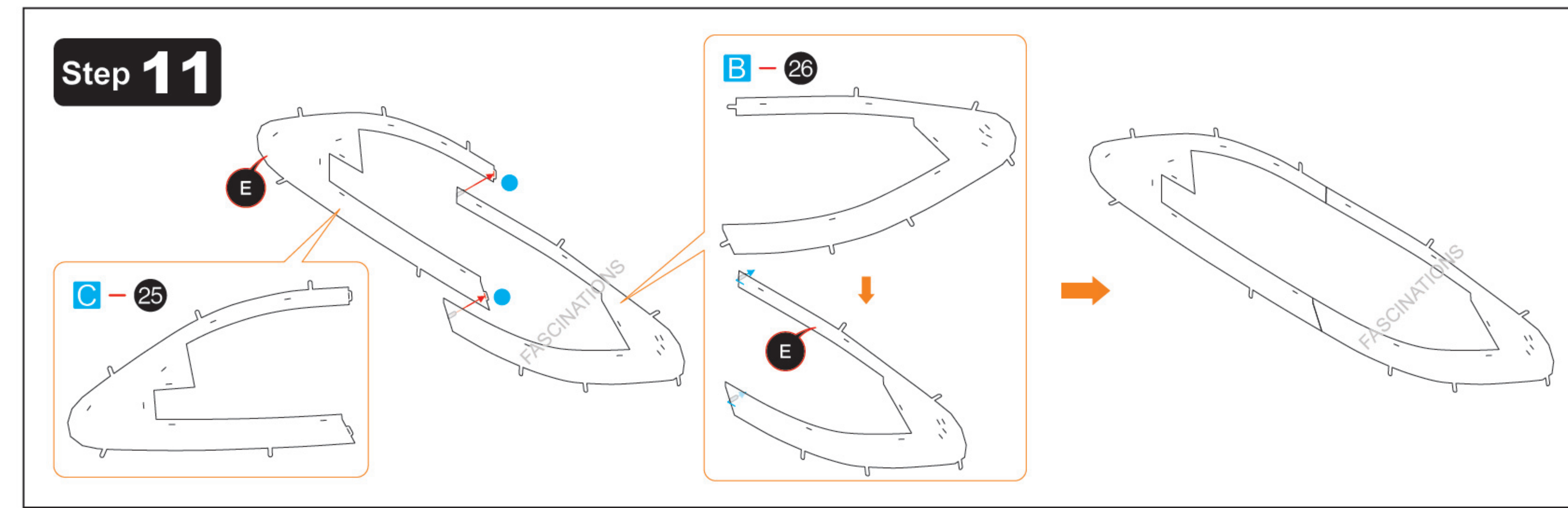
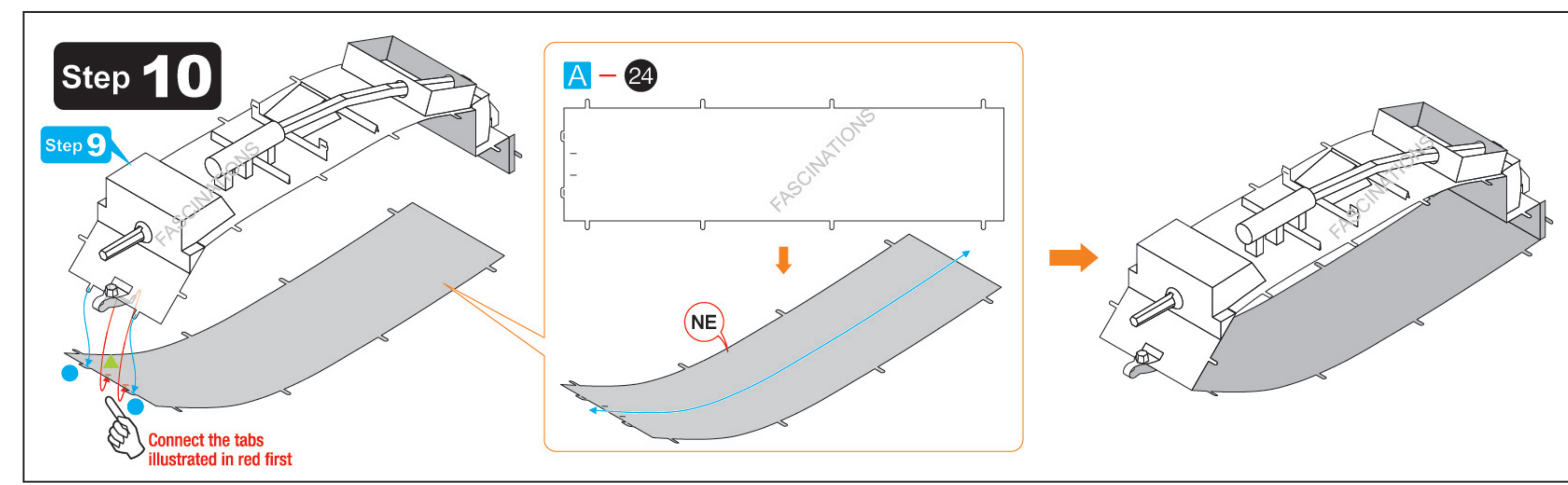
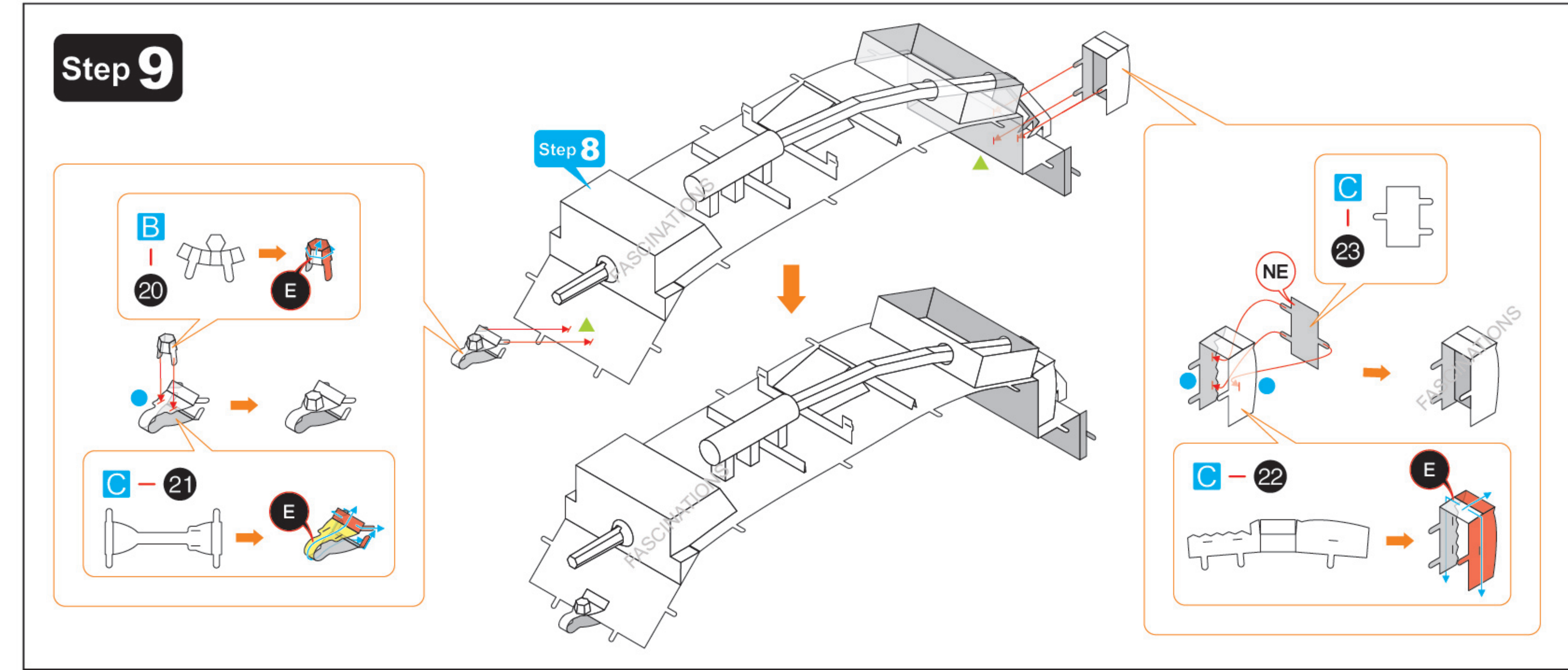
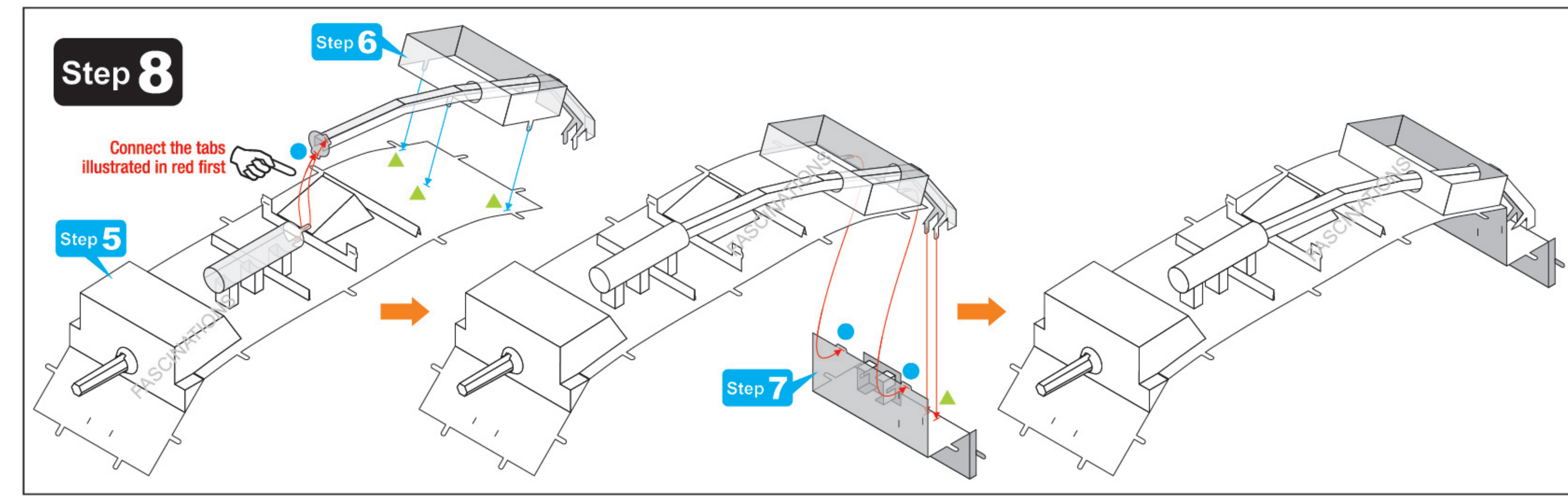
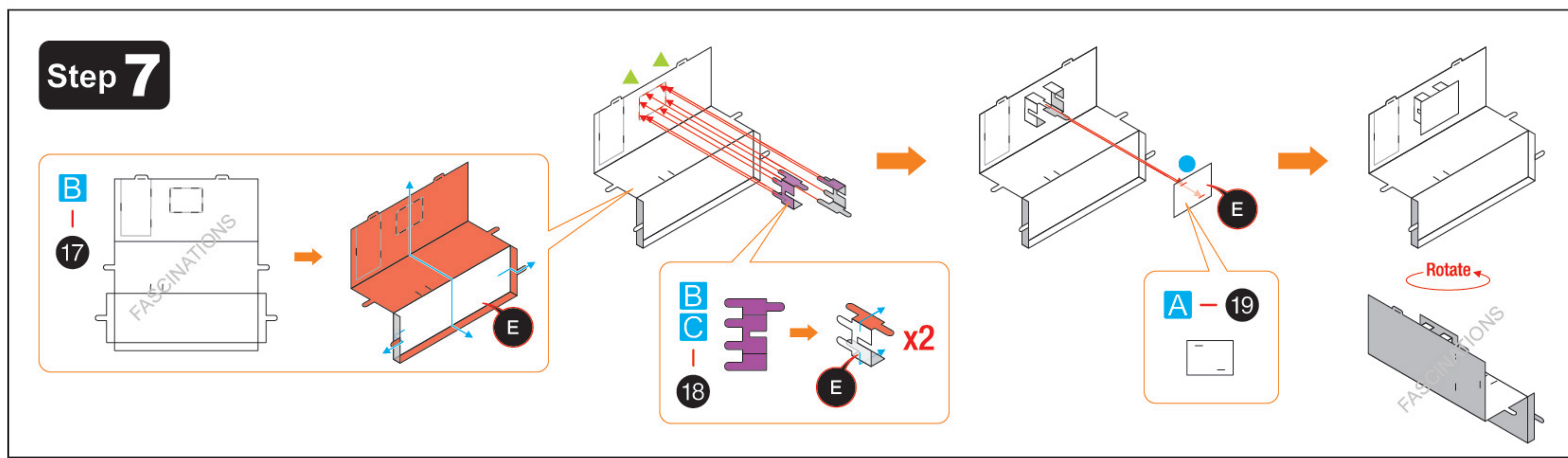
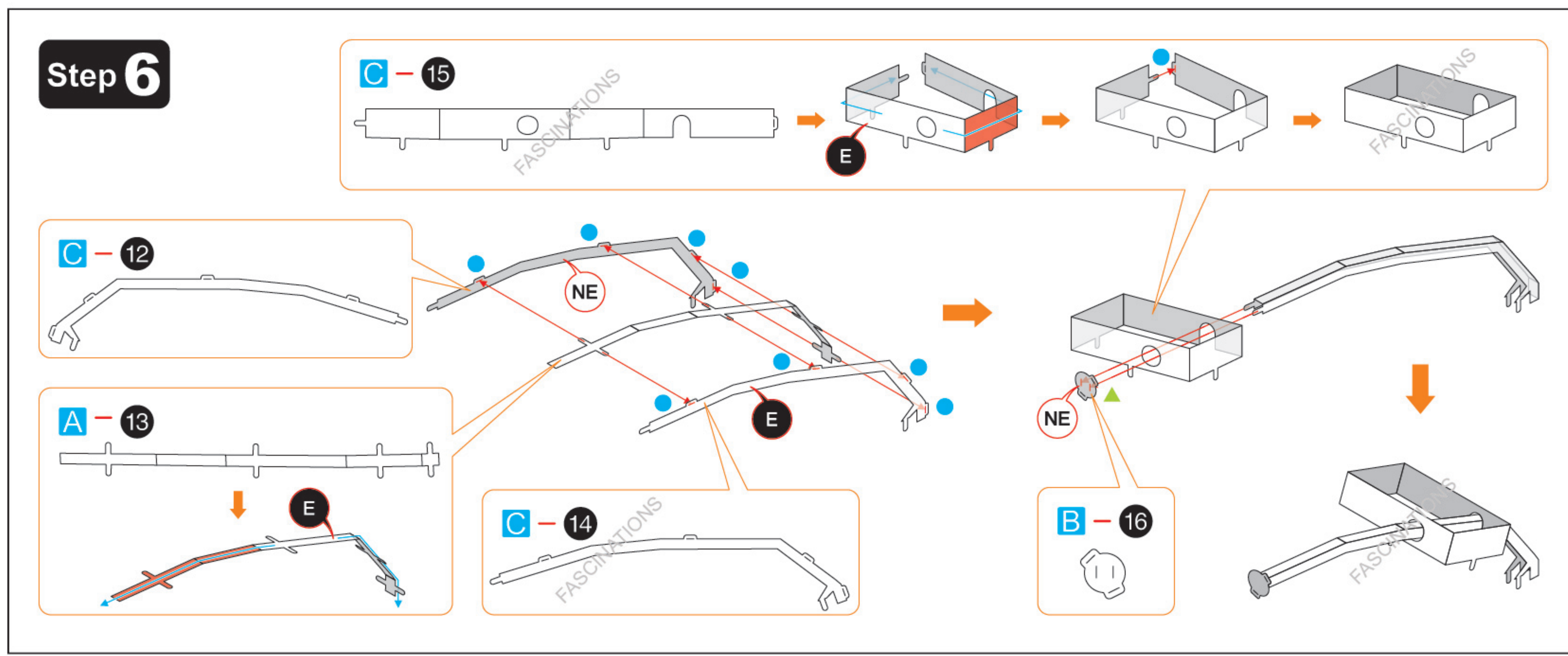
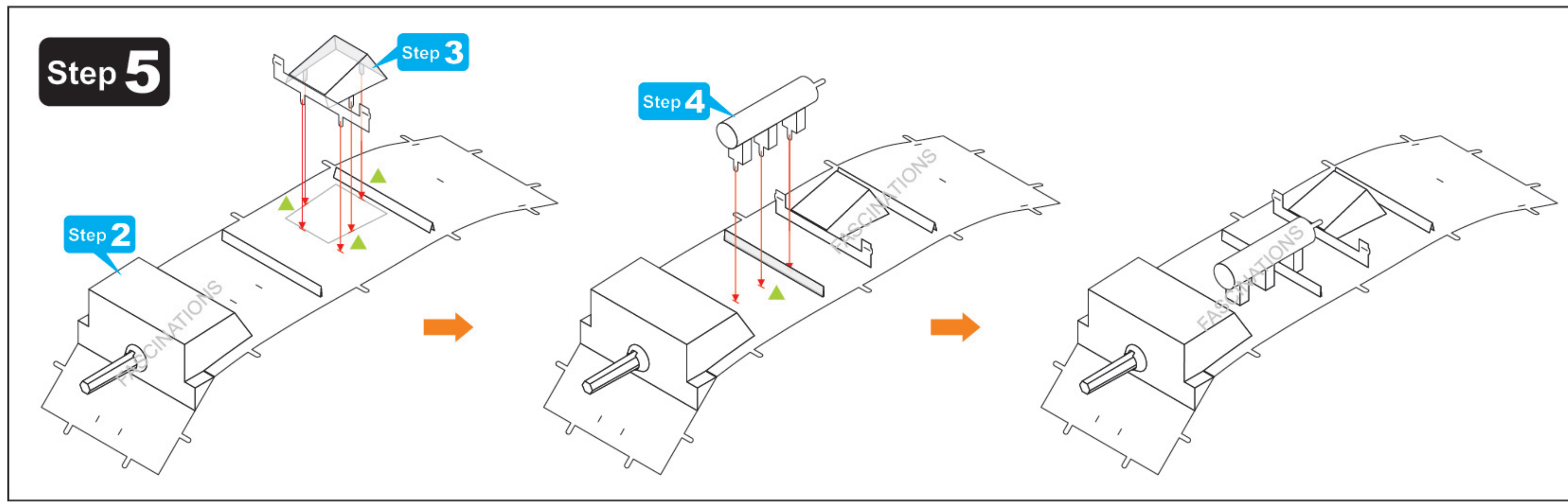
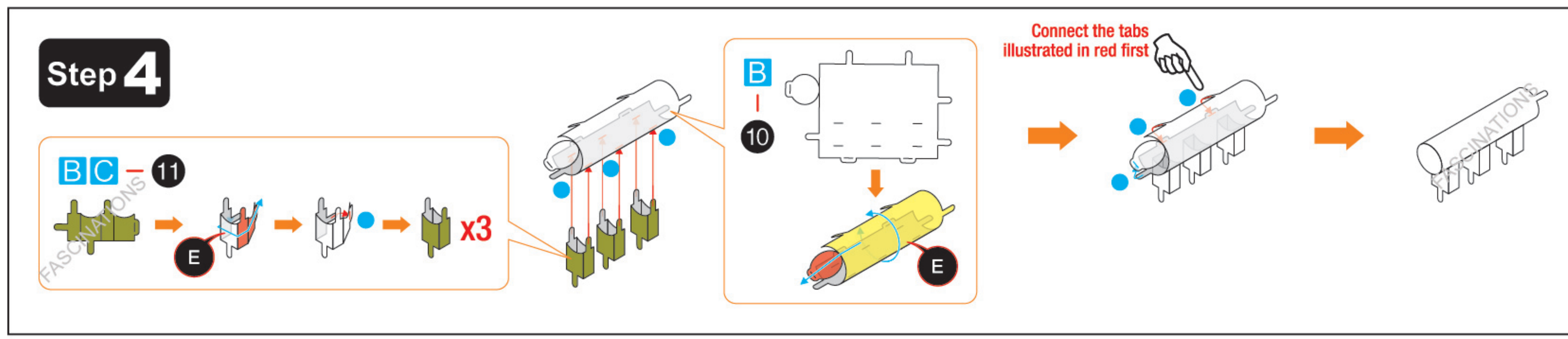
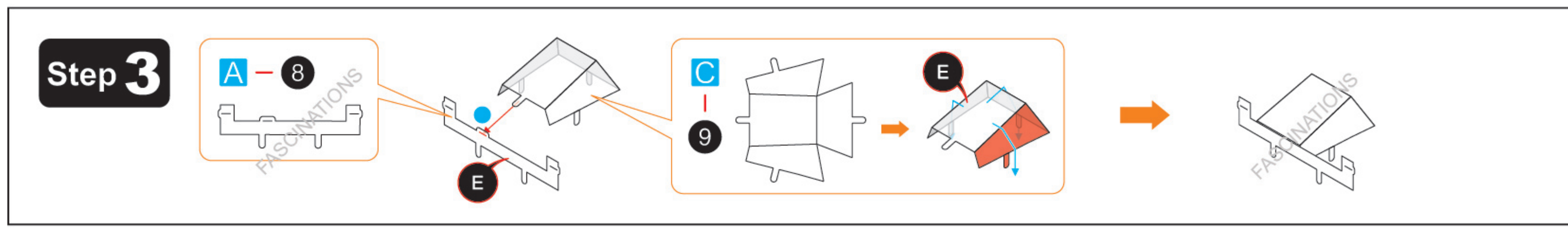


## METAL SHEETS

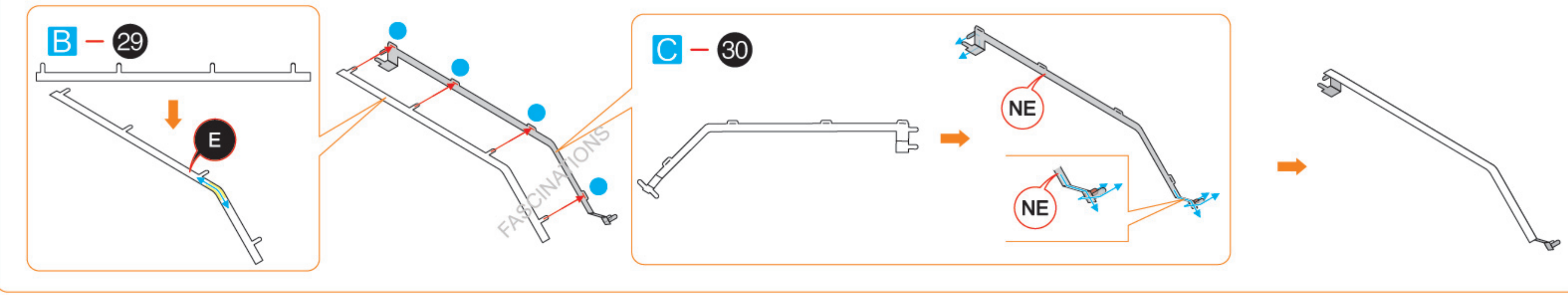
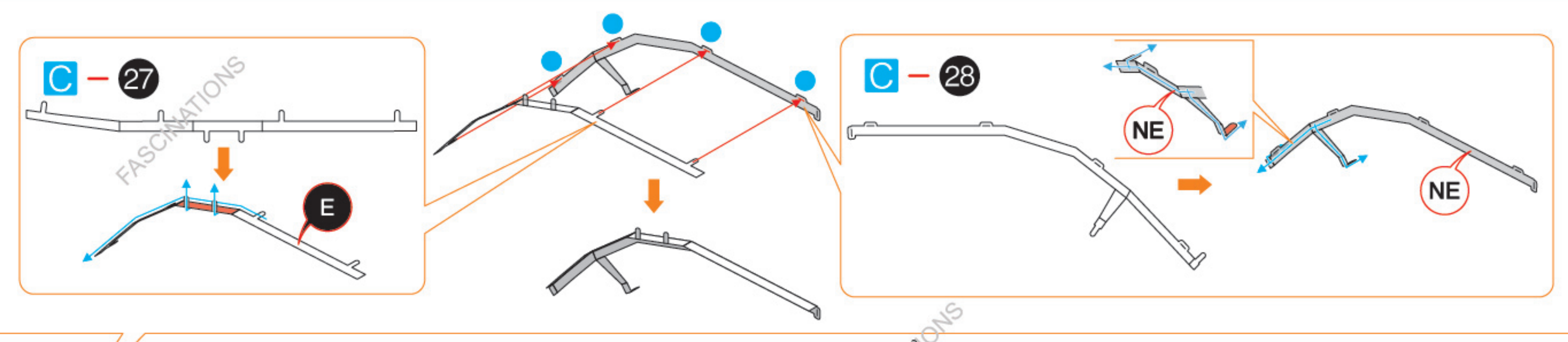
Parts with same color are duplicates



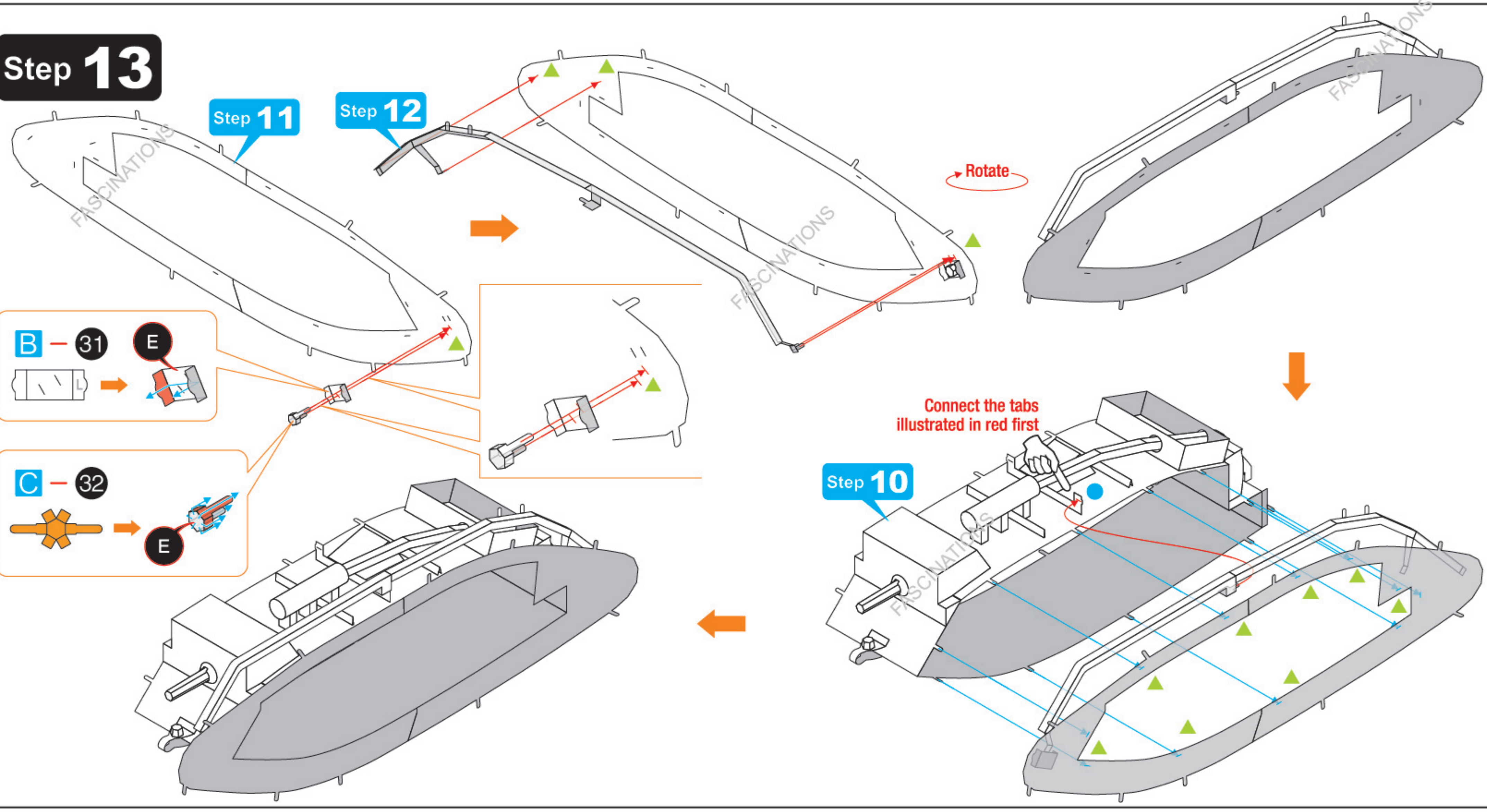
In order to avoid possible injury from sharp edges, please carefully discard the metal sheets after parts have been removed.



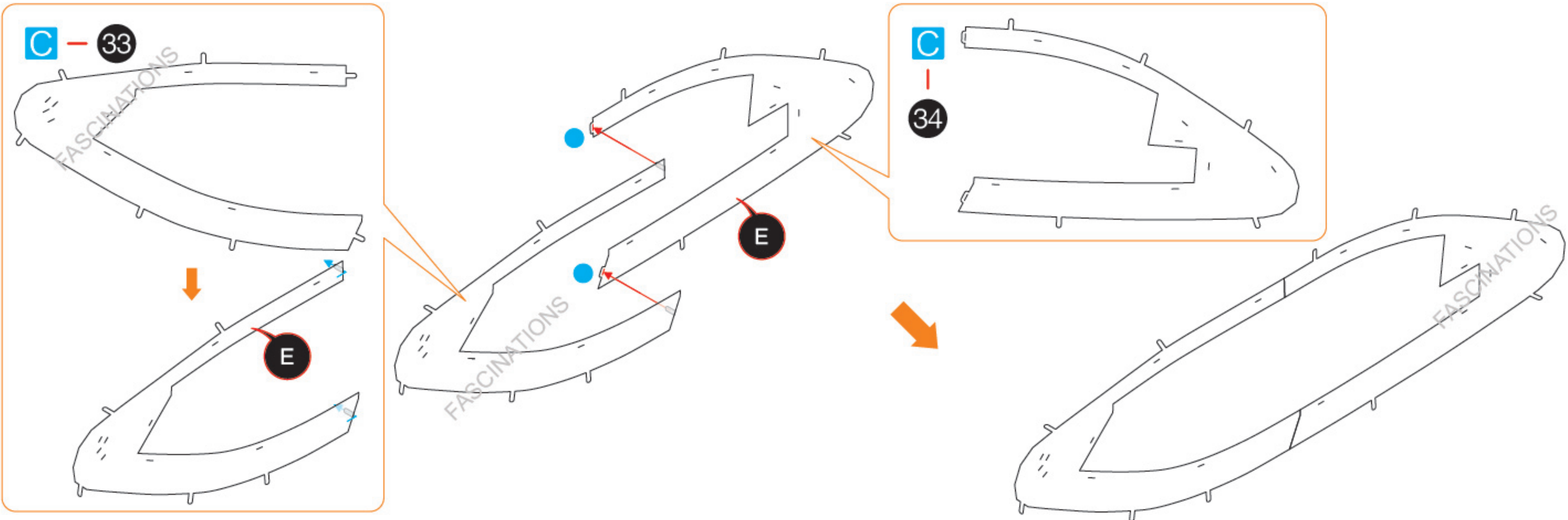
Step 12



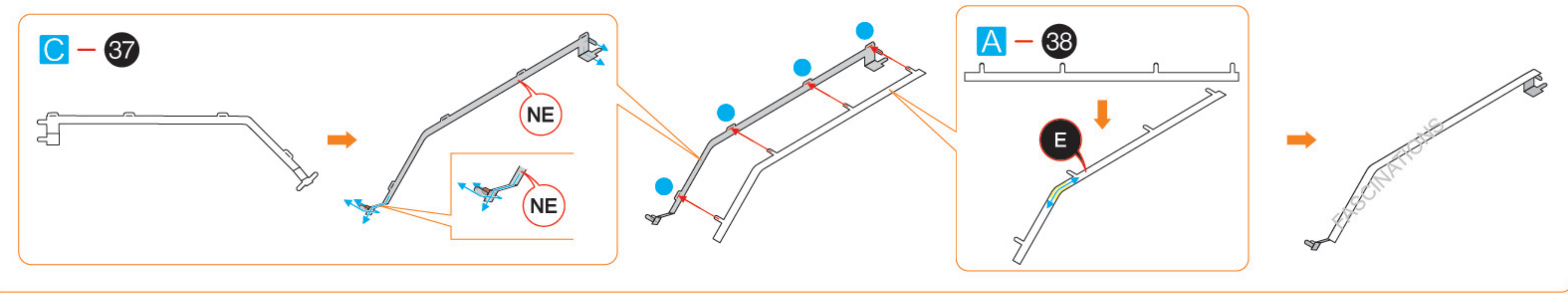
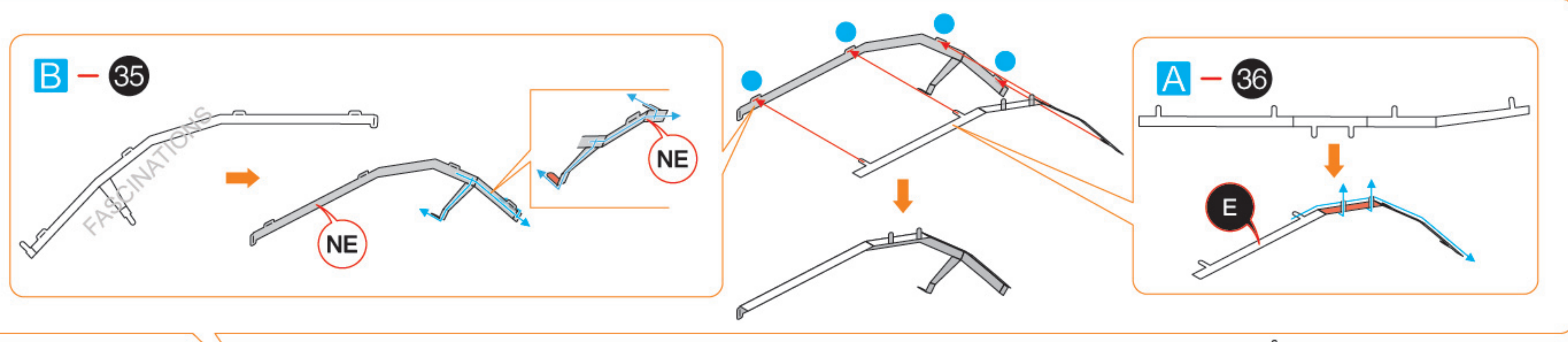
Step 13



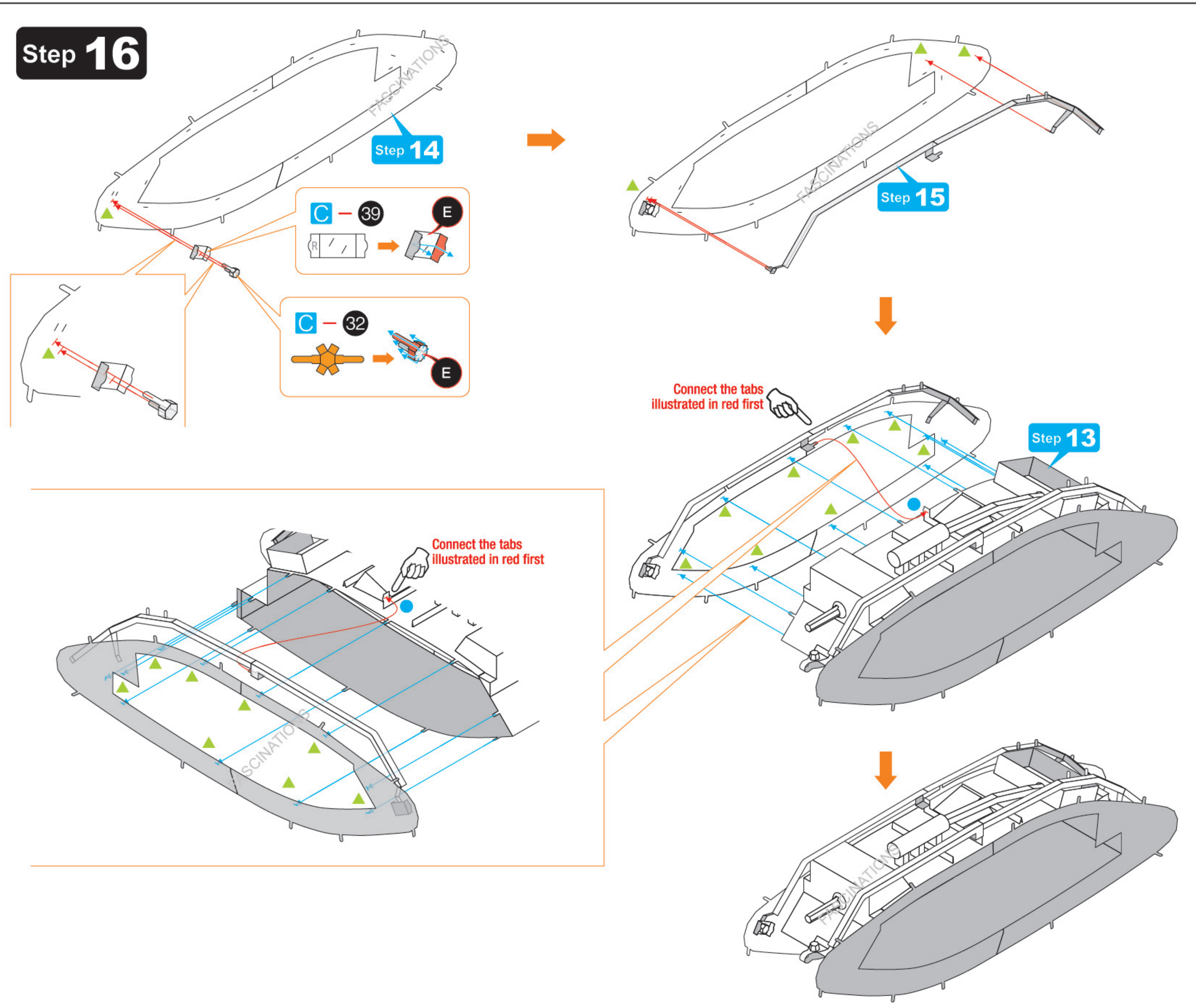
Step 14

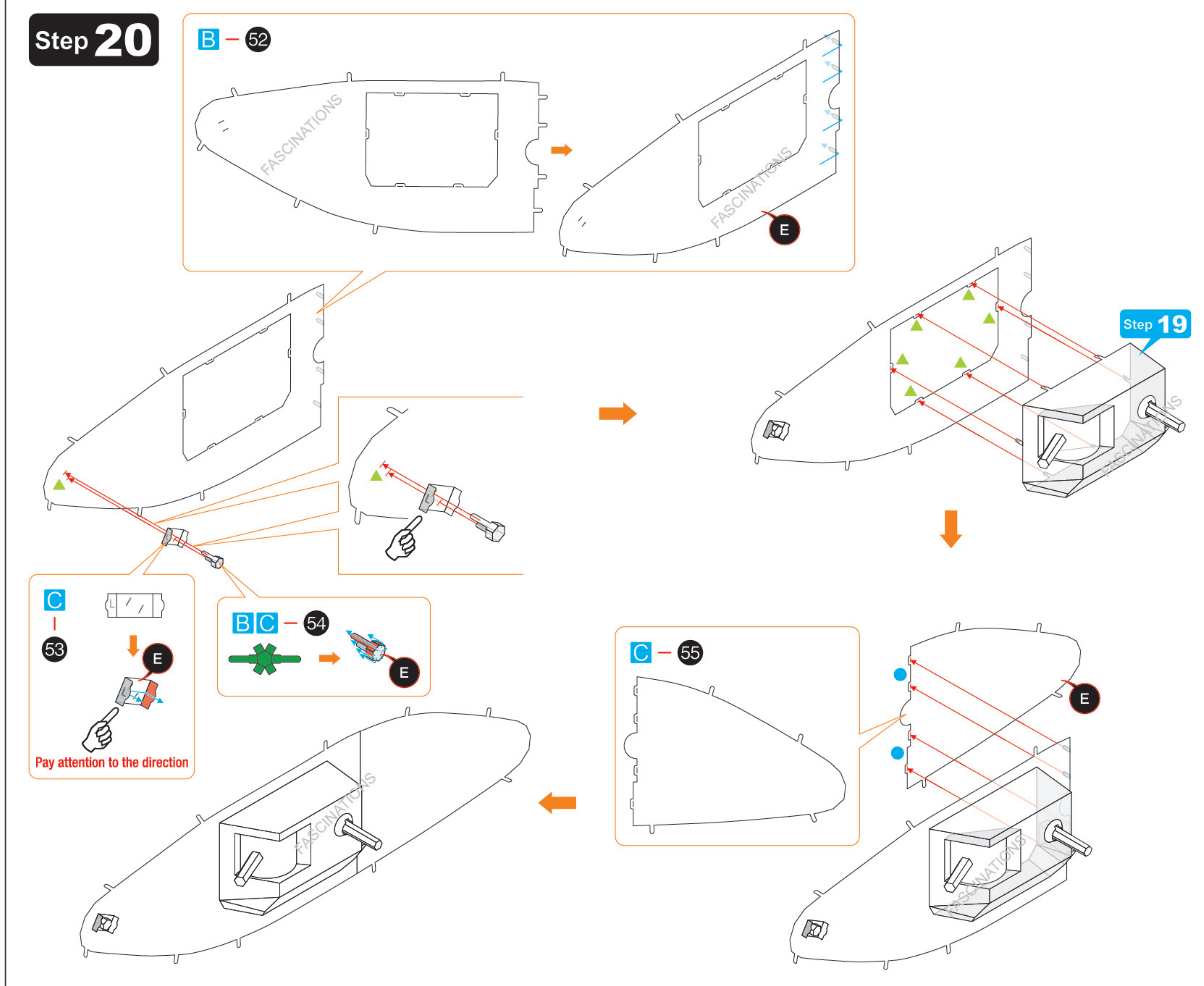
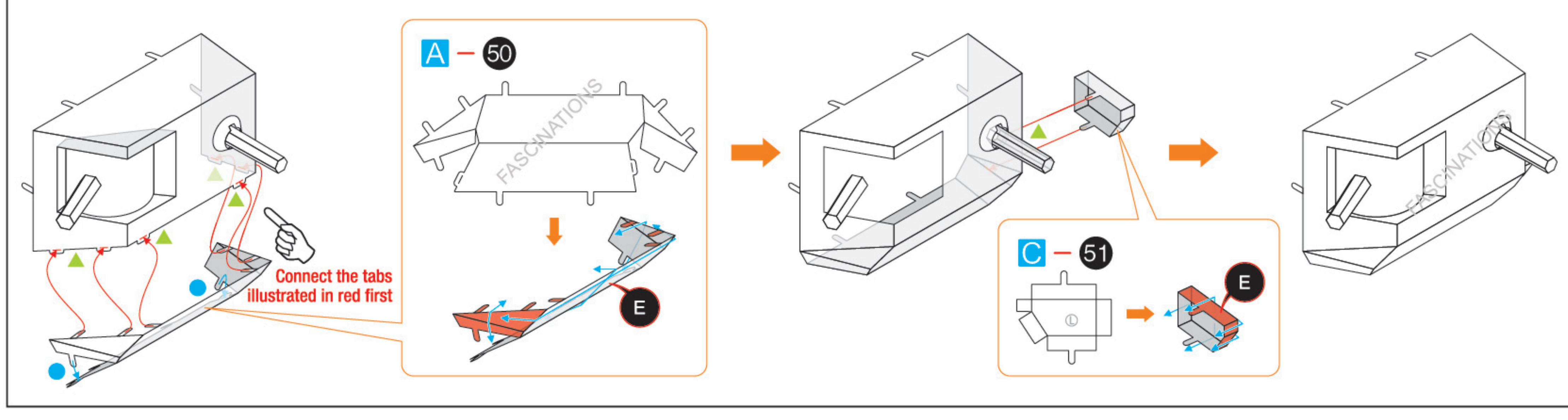
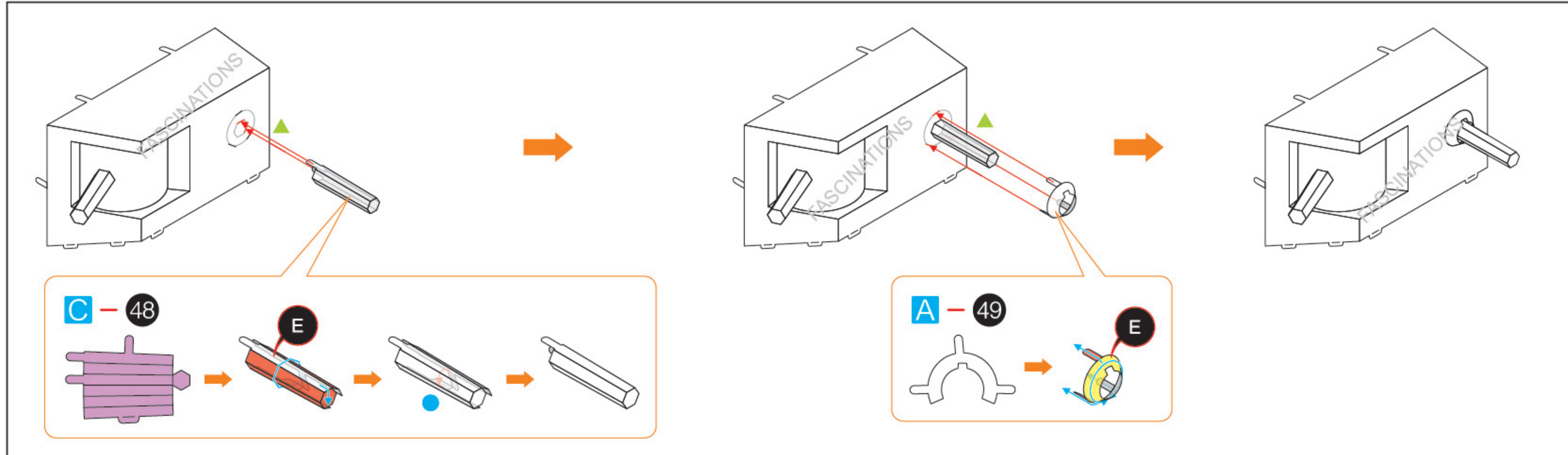
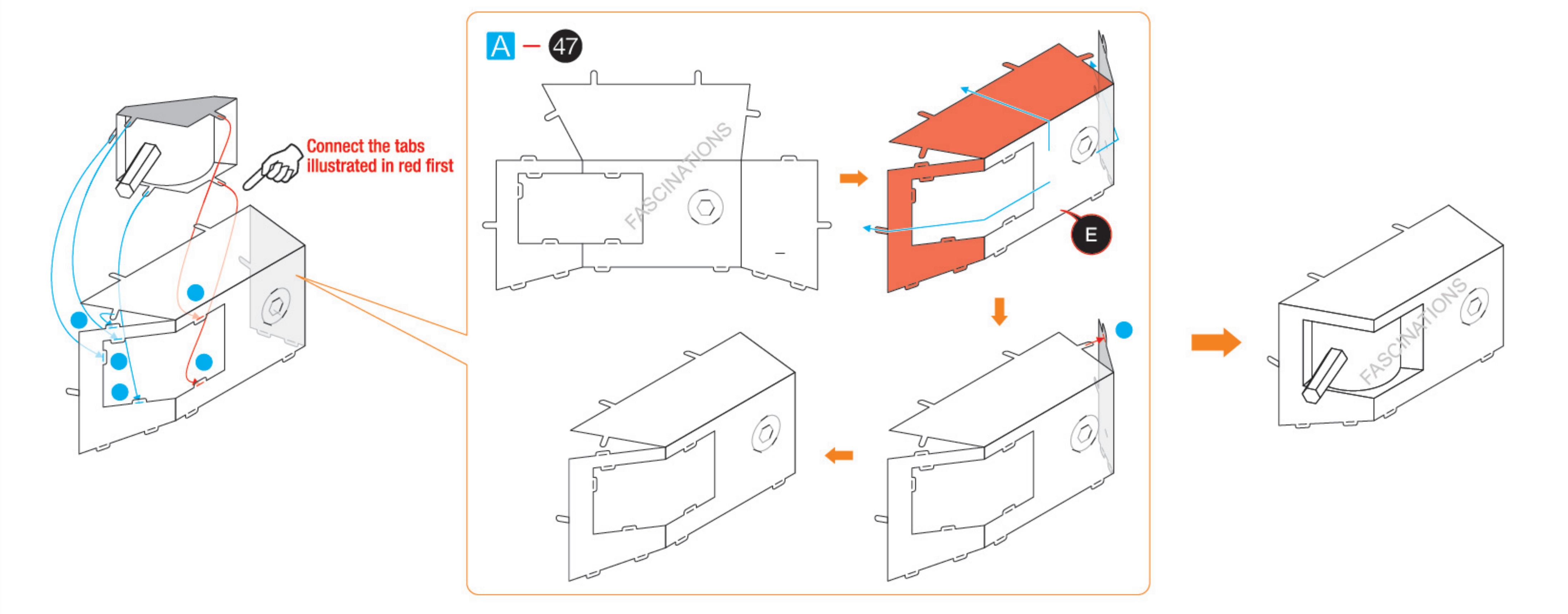
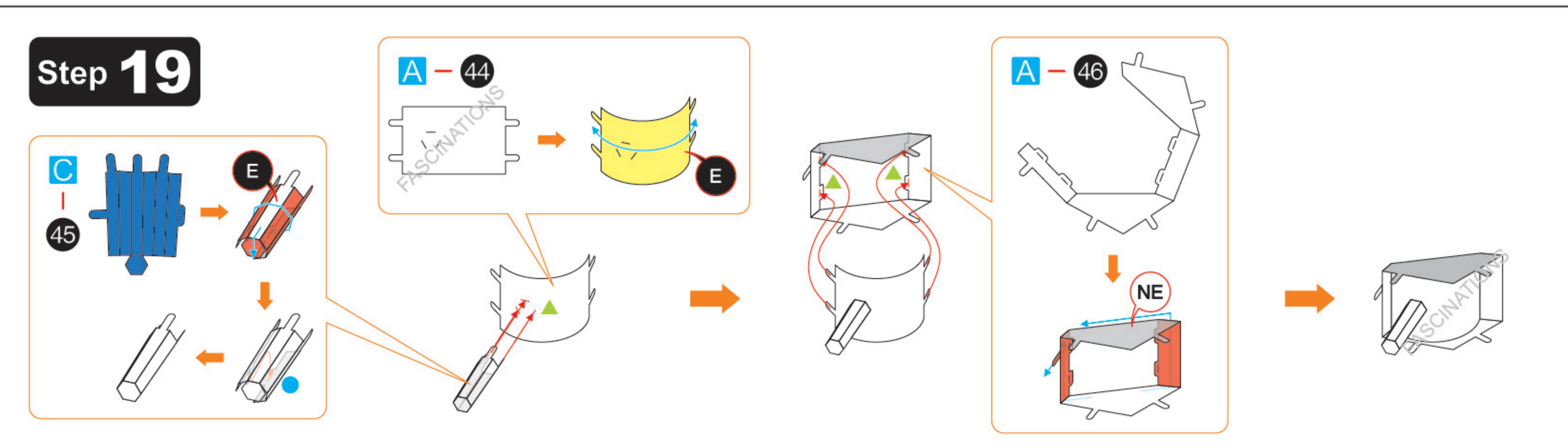
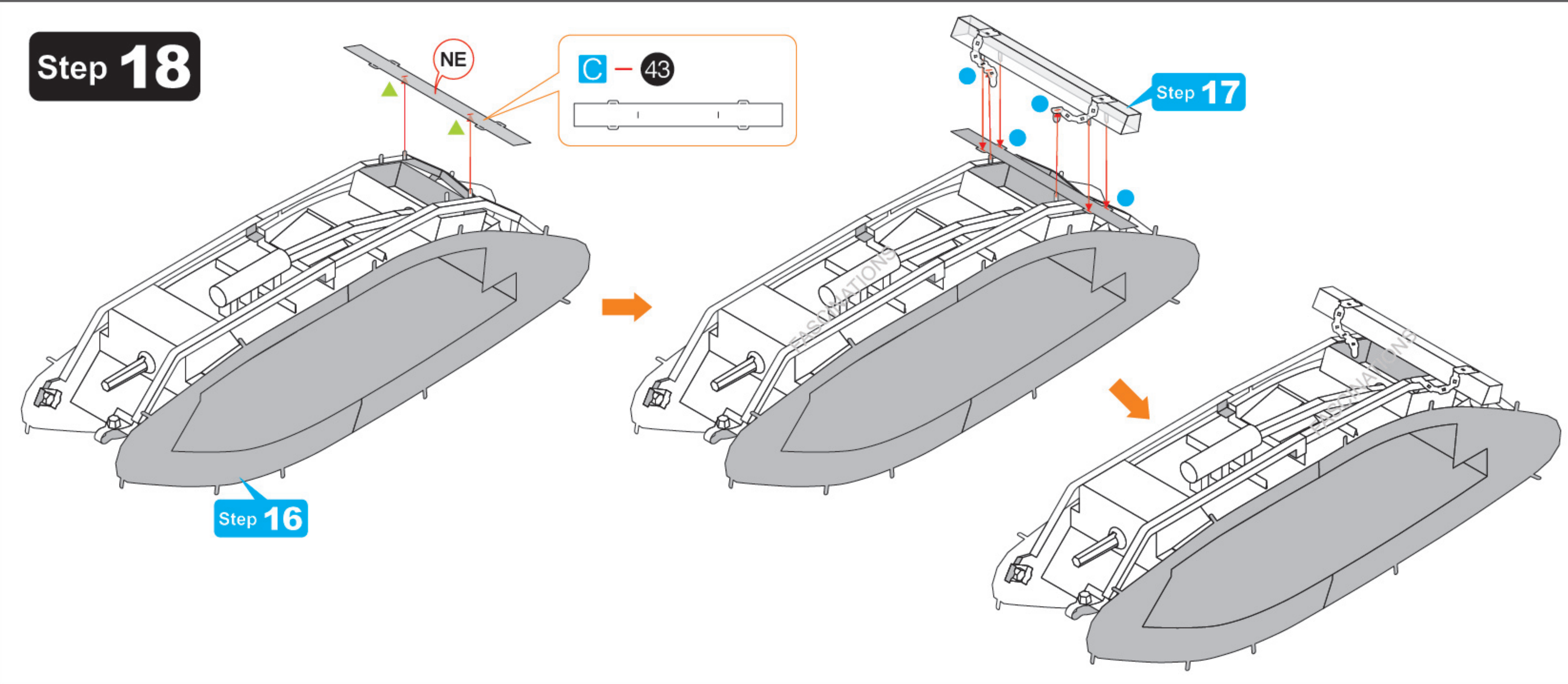
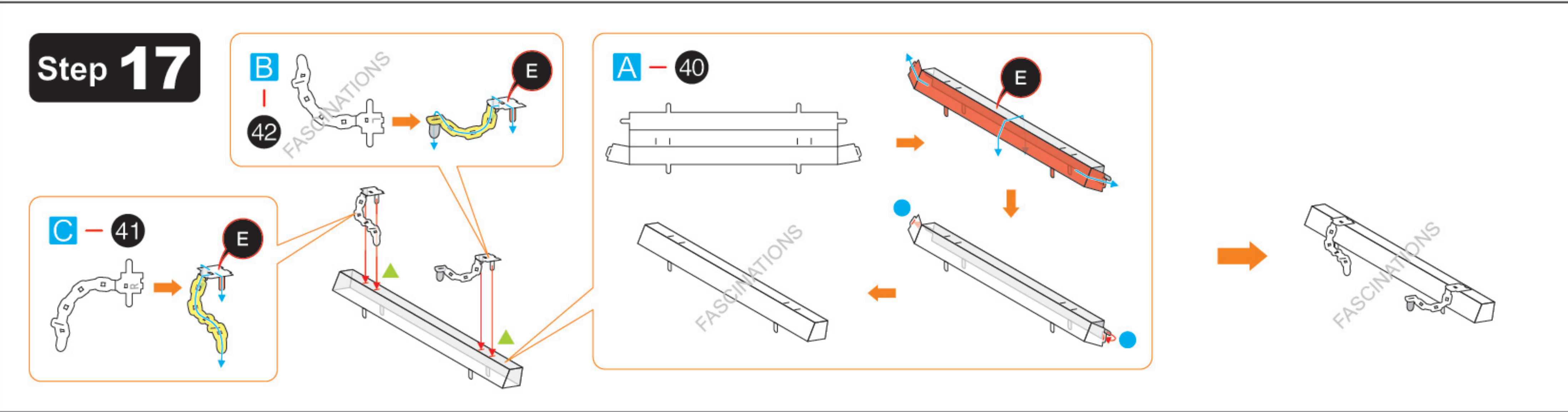


Step 15

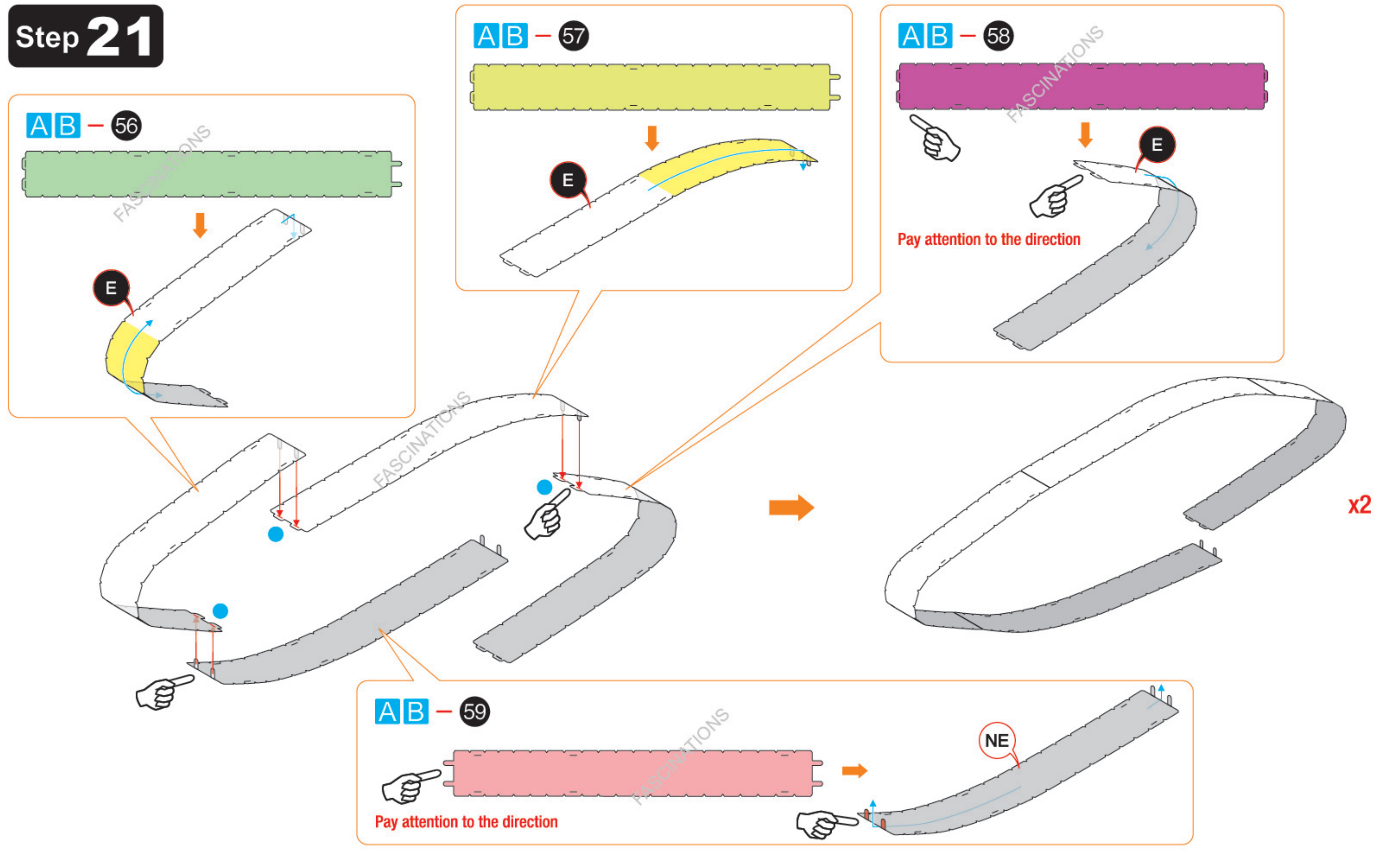


Step 16

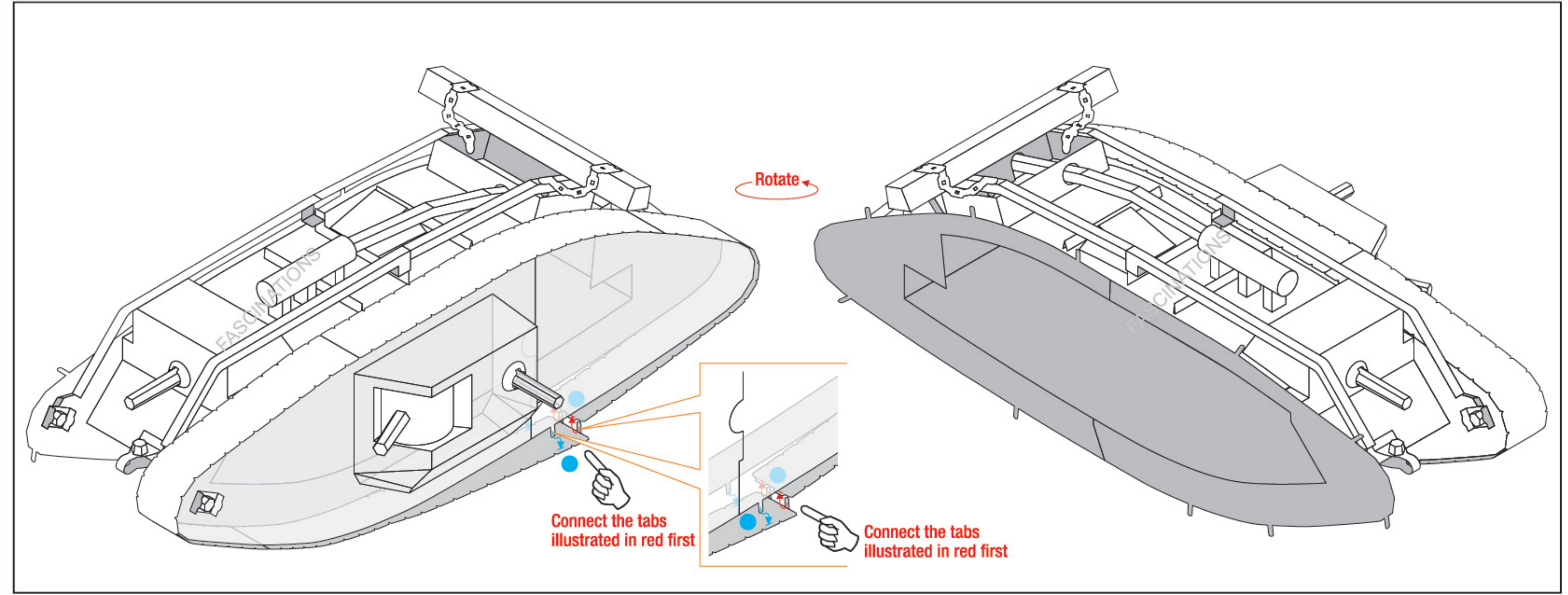
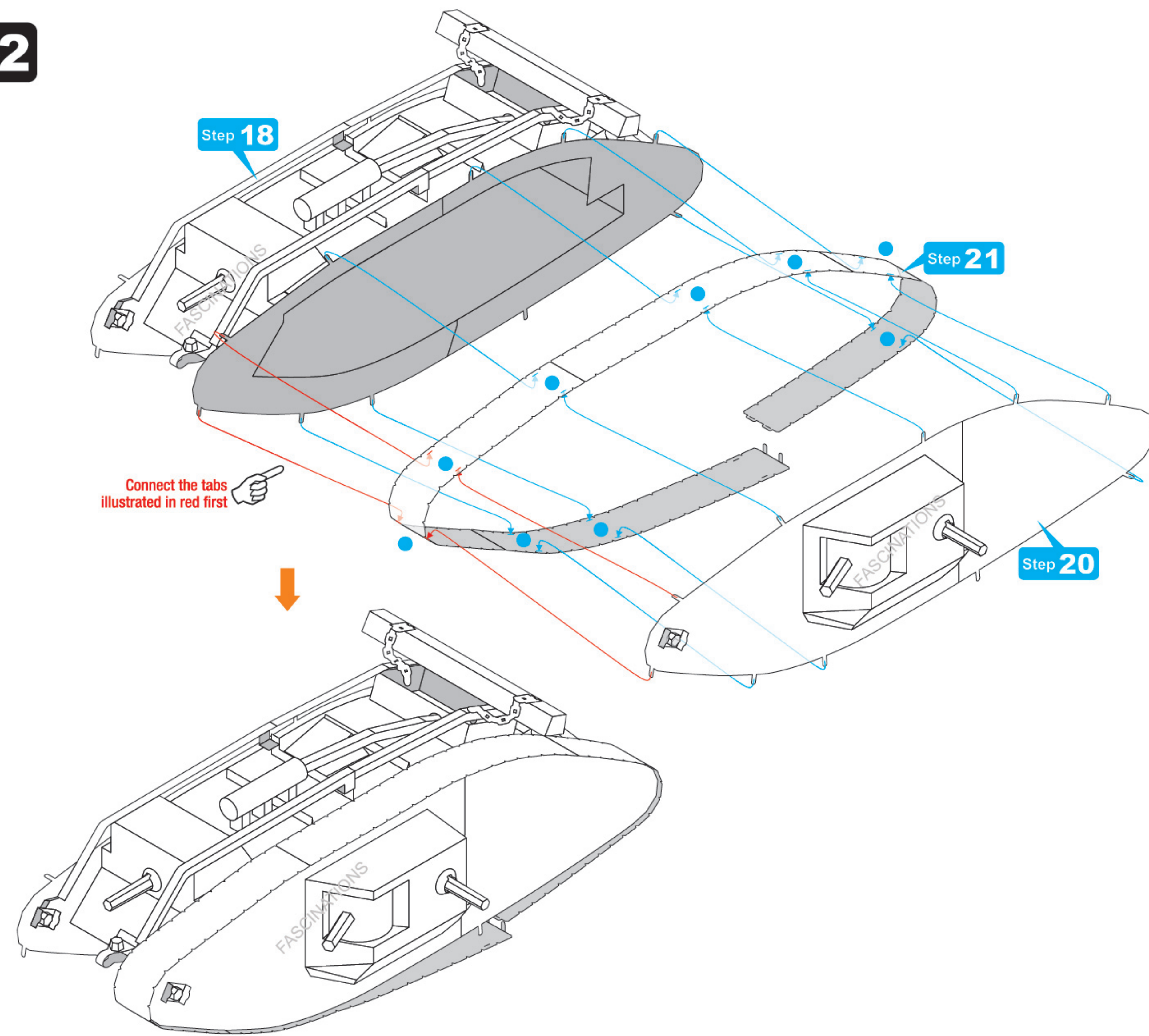




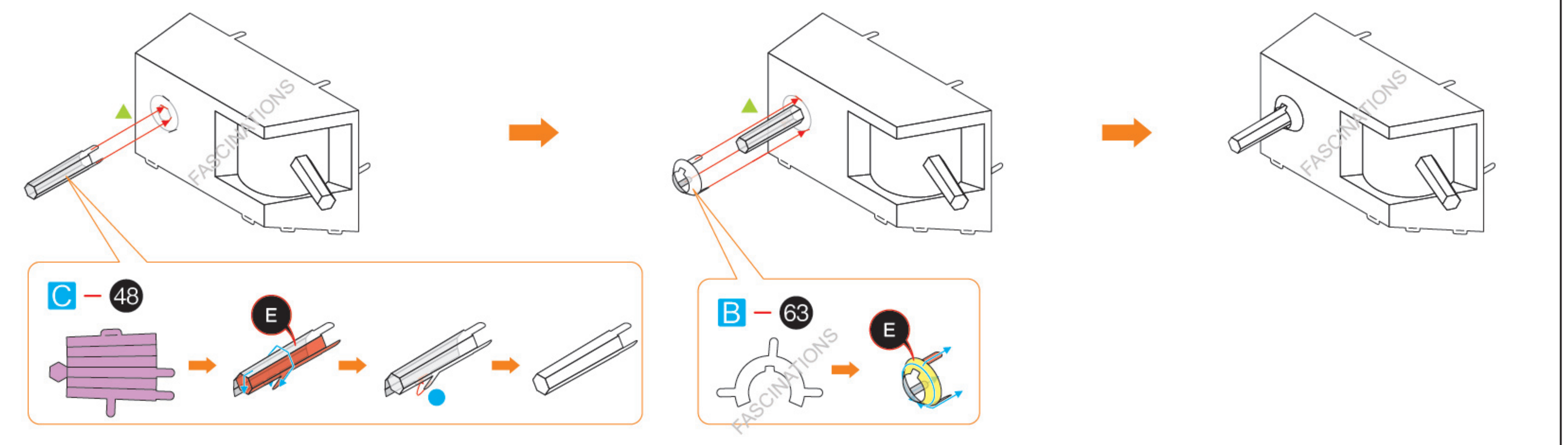
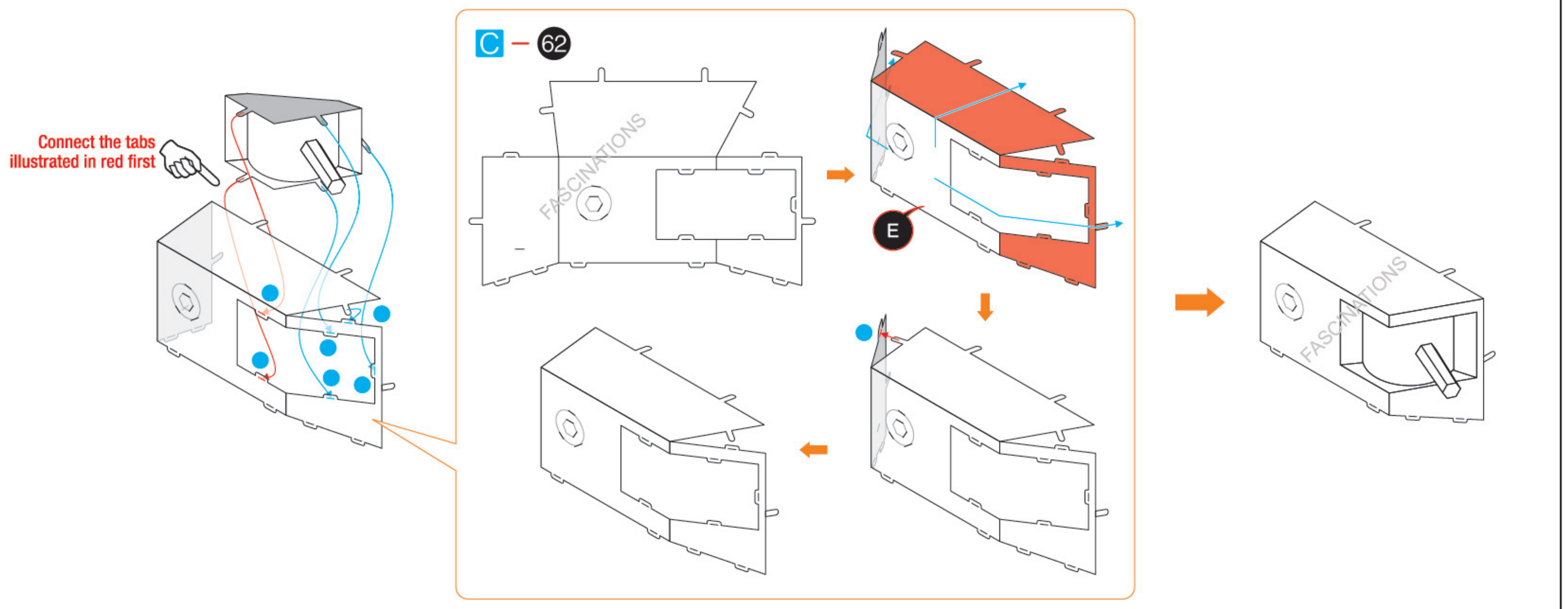
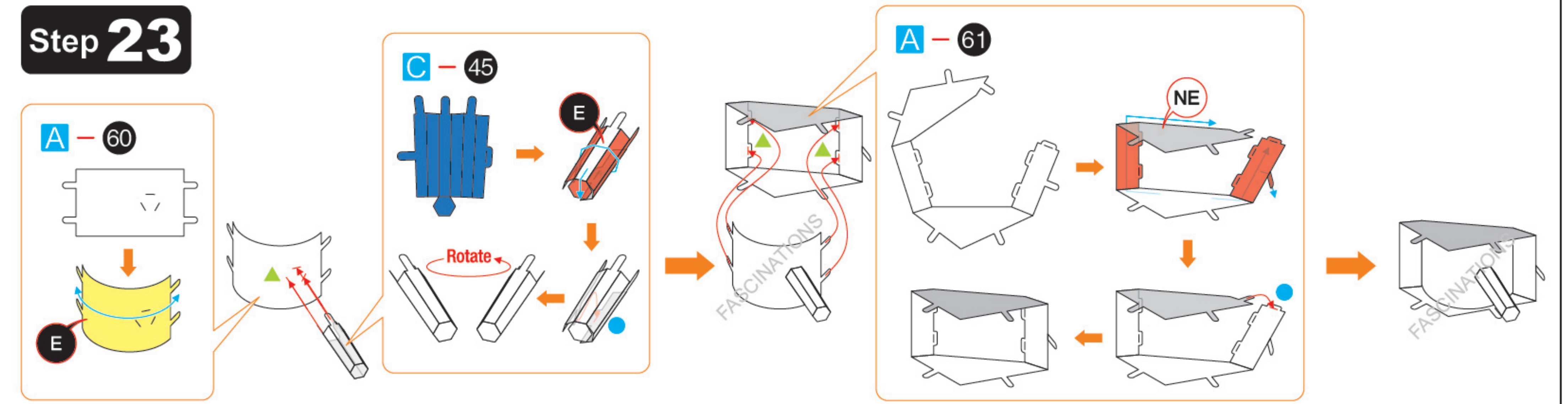
### Step 21

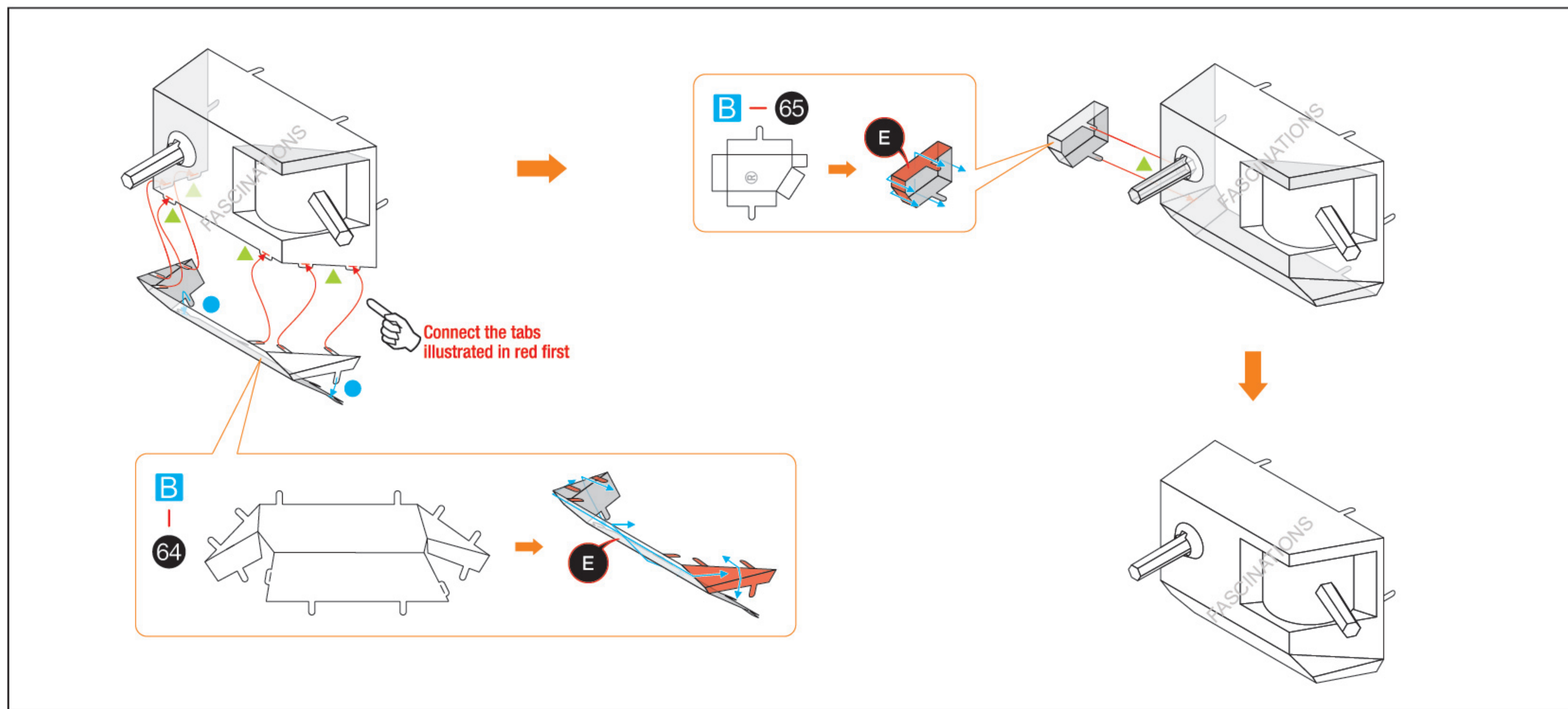


### Step 22

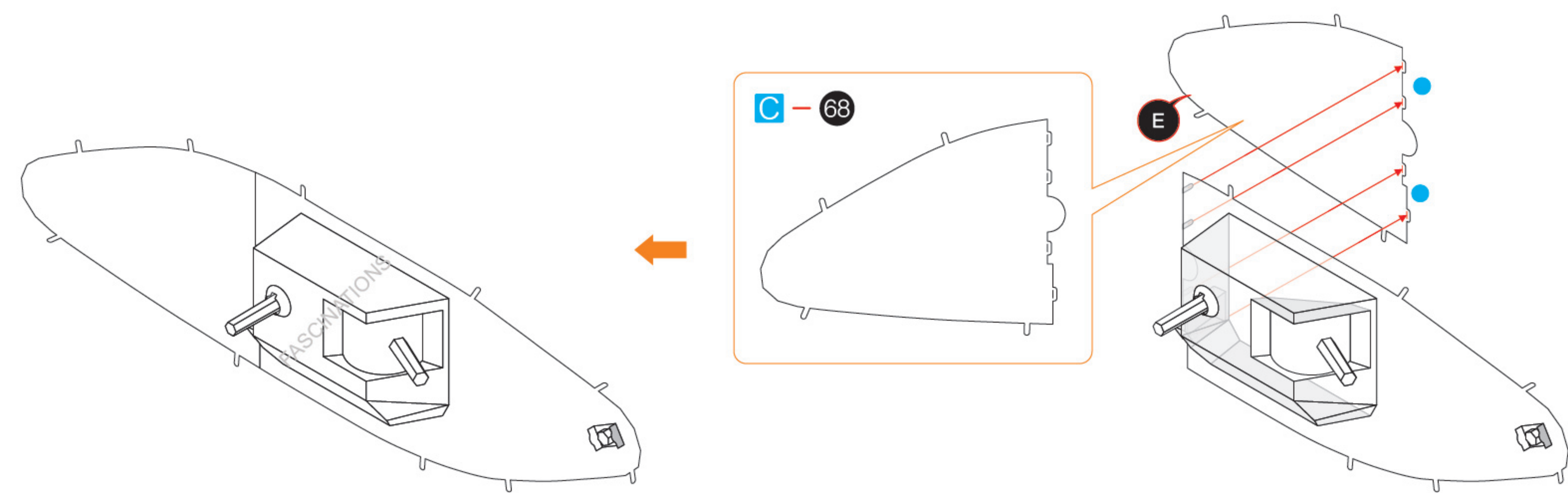
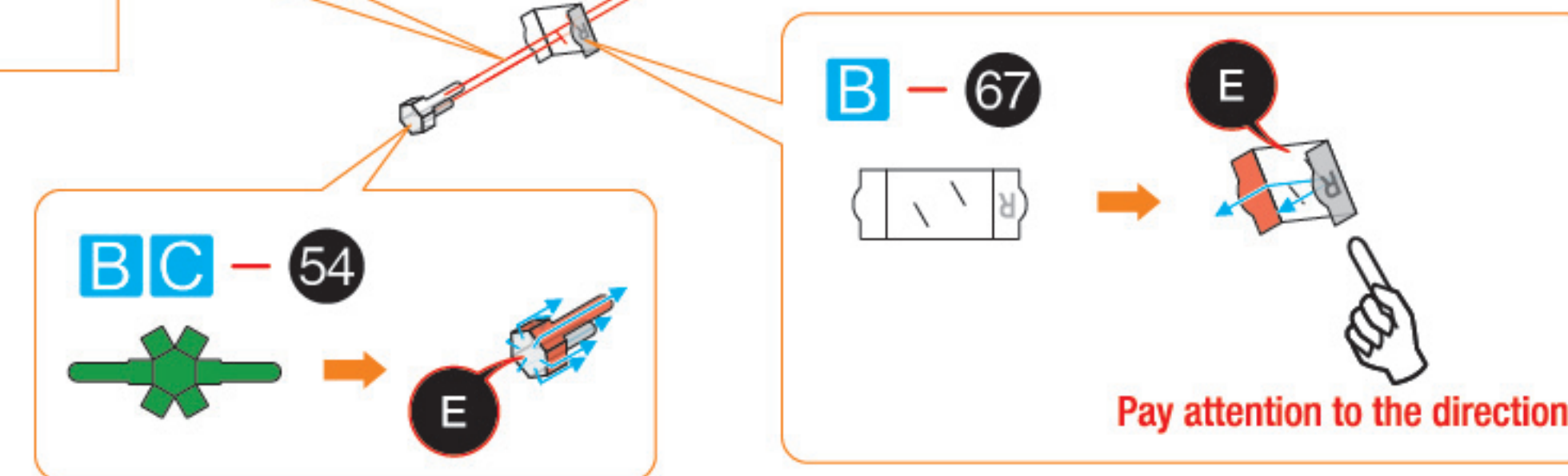
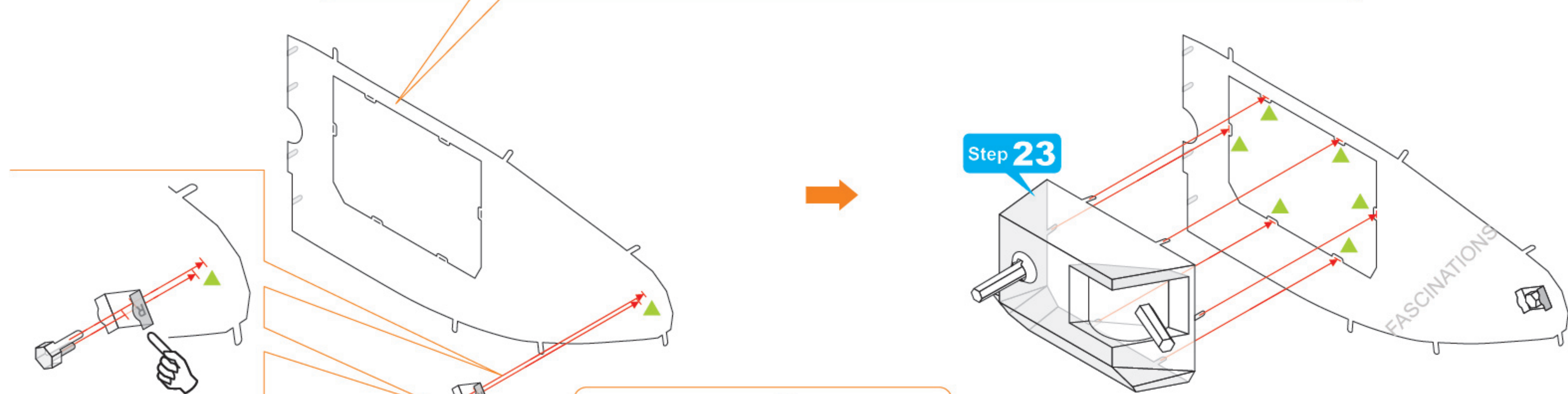
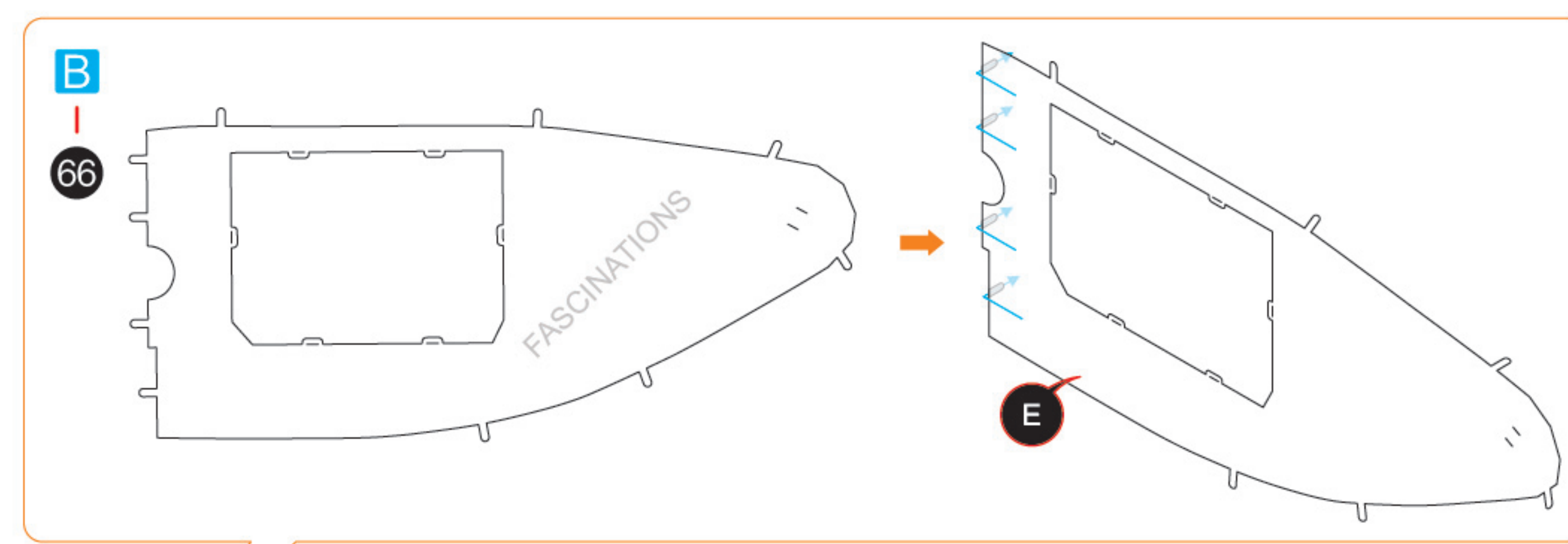


### Step 23





Step 24



Step 25

