

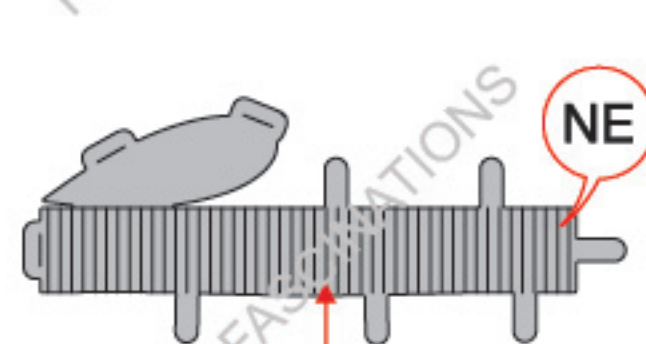
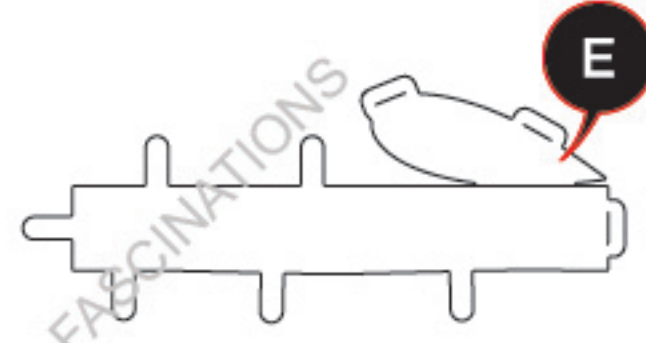
F4U CORSAIR™
ME1030



It is highly recommended that you visit www.metalearth.com/360/ME1030 to see the completed model before assembling your own

TO CREATE THE BEST CONNECTIONS

A-48



Consider these engraved stripes as supporting features for the bend

Legends:

- E** Engraved/ Color side
- NE** Non - engraved/ Silver side
- Attention point
- Insert tab and bend 90 degrees
- Insert tab and twist 90 degrees

Assembly tip:

If needed, slightly twist tabs to hold parts together then untwist and bend them down for a nice finish.

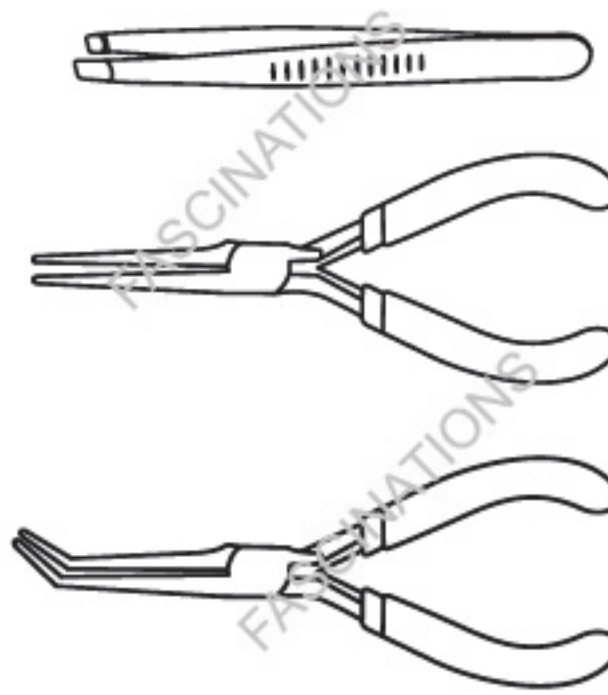
- Yellow areas should be curled
- Red areas should be folded

Recommended tools:

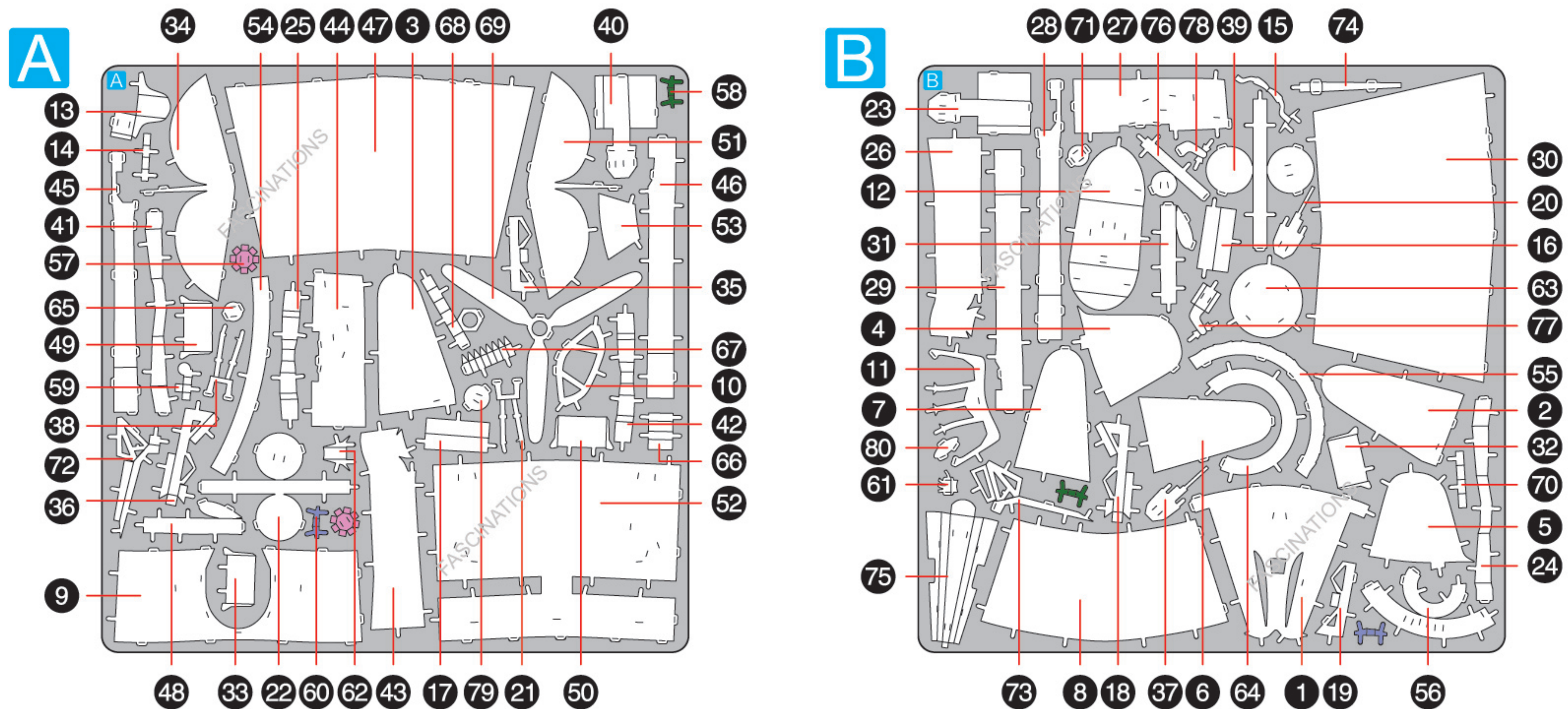
- Wire cutters: helpful for taking parts from the metal sheets.



- Tweezers or needle nose pliers: helpful for folding parts, bending and twisting tabs.

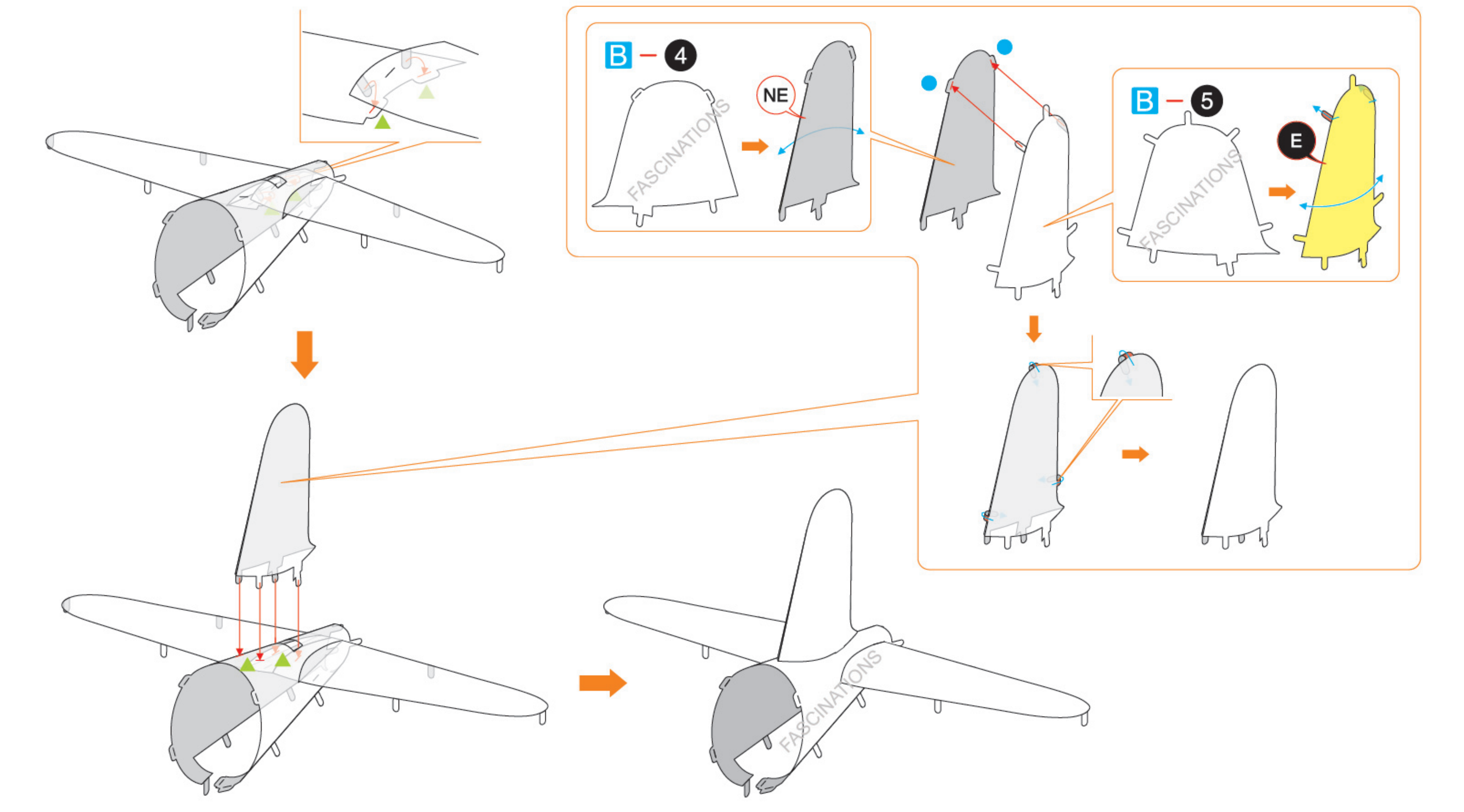
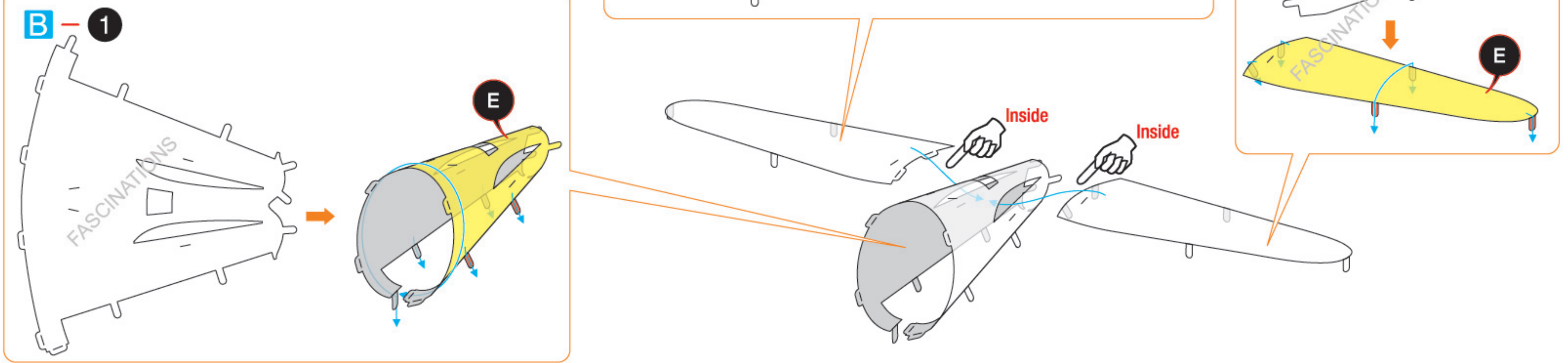


METAL SHEETS

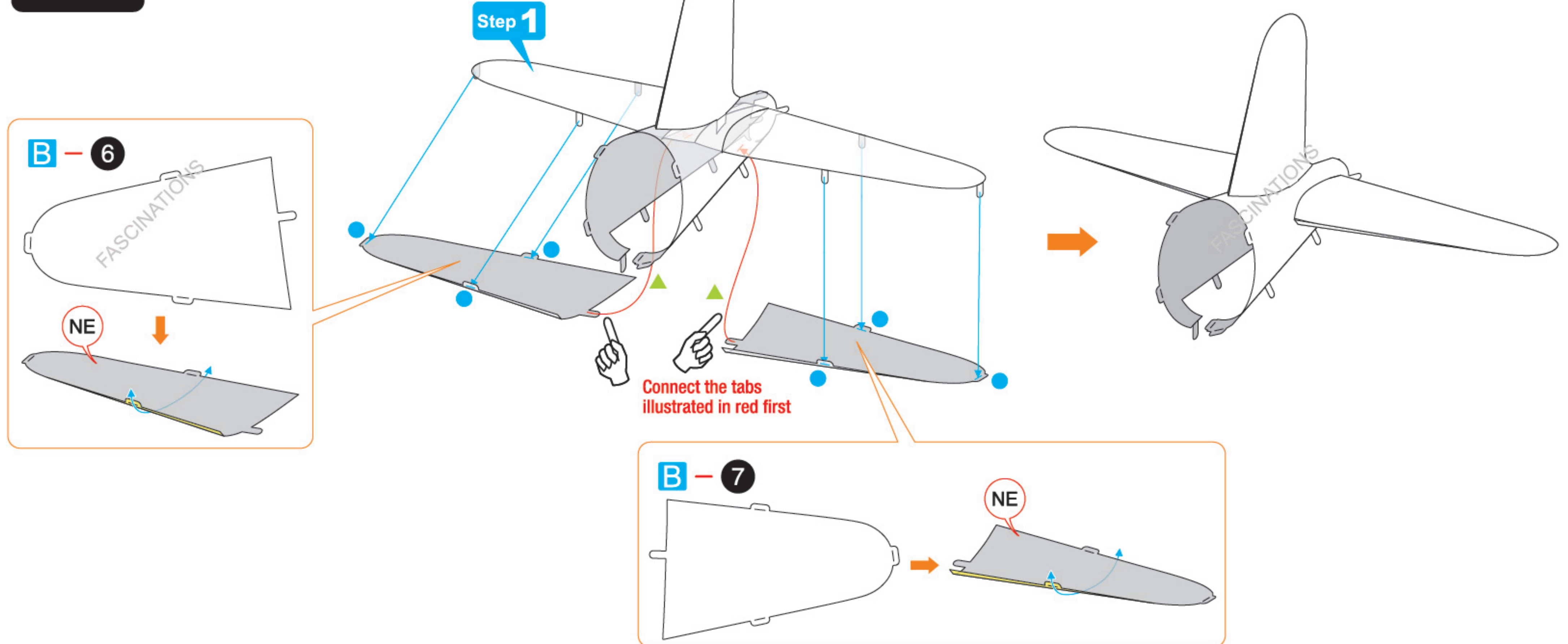


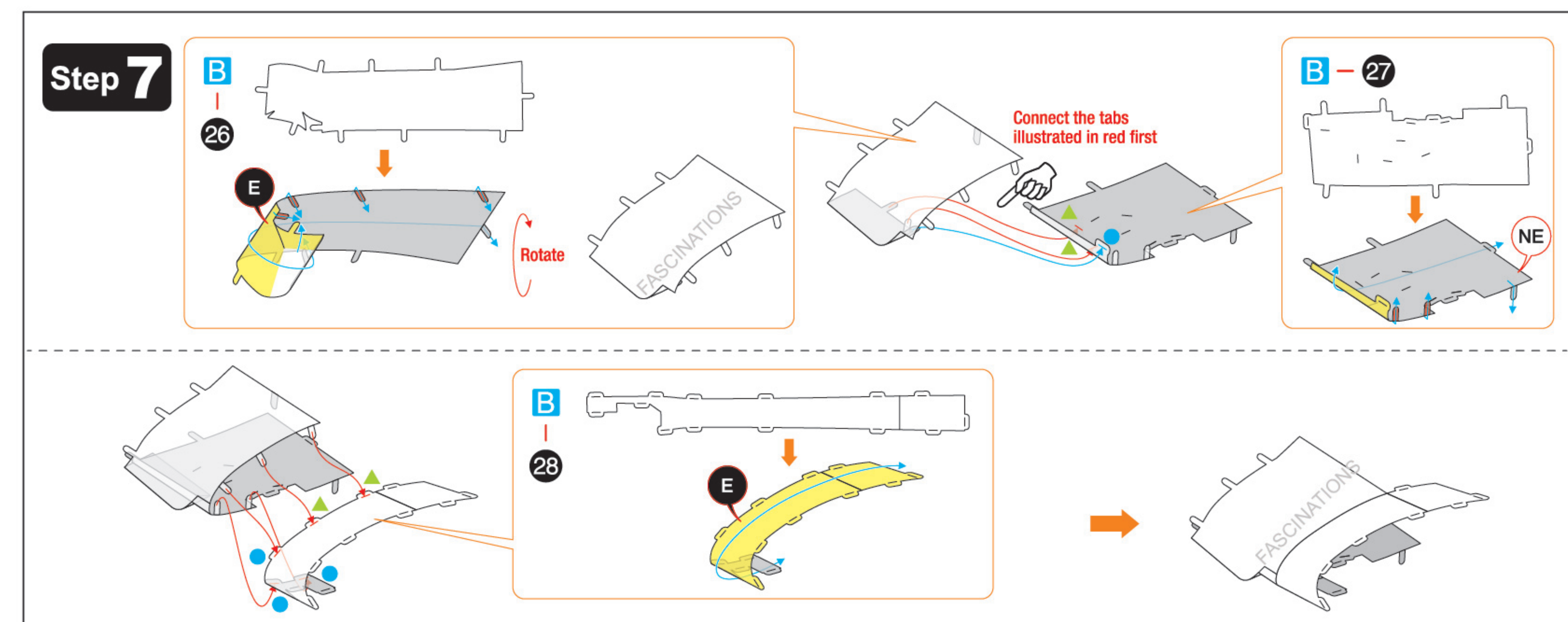
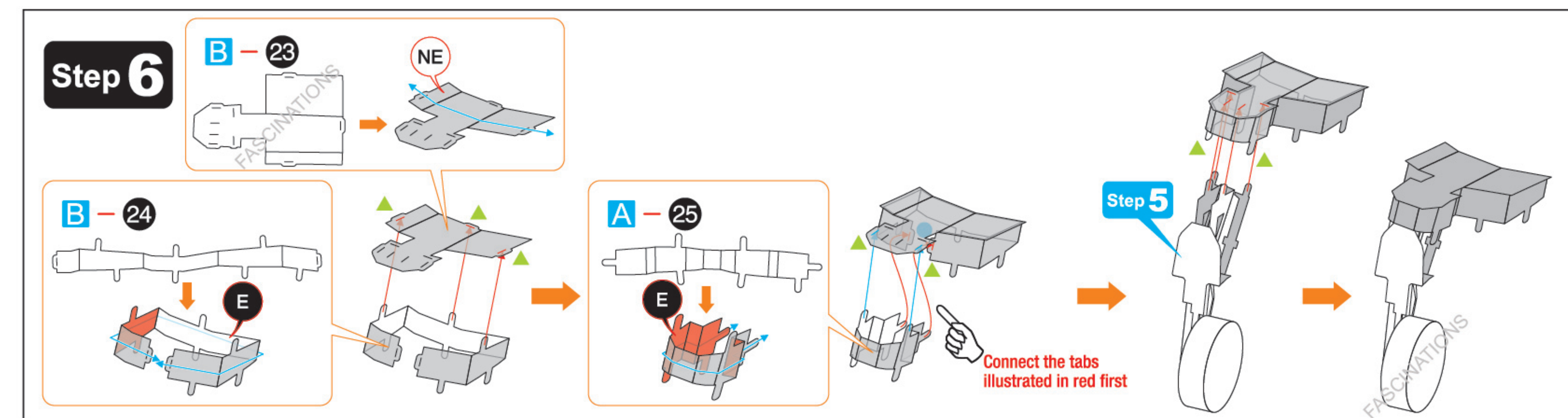
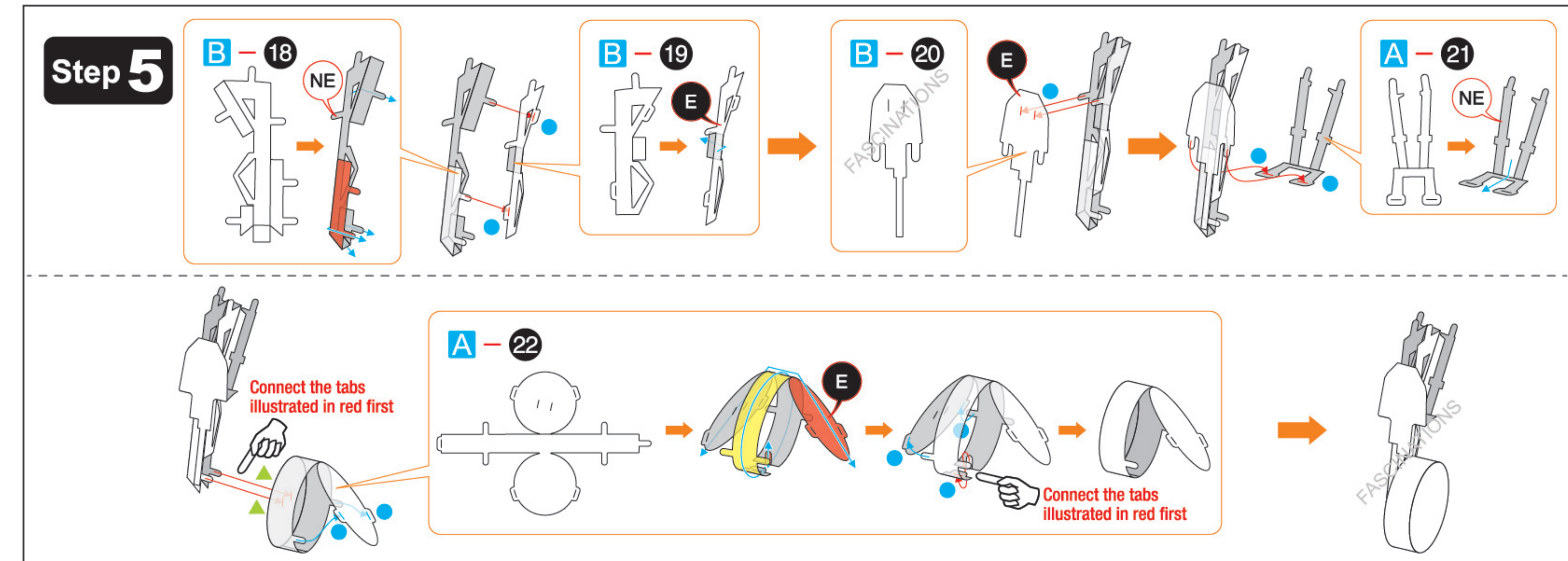
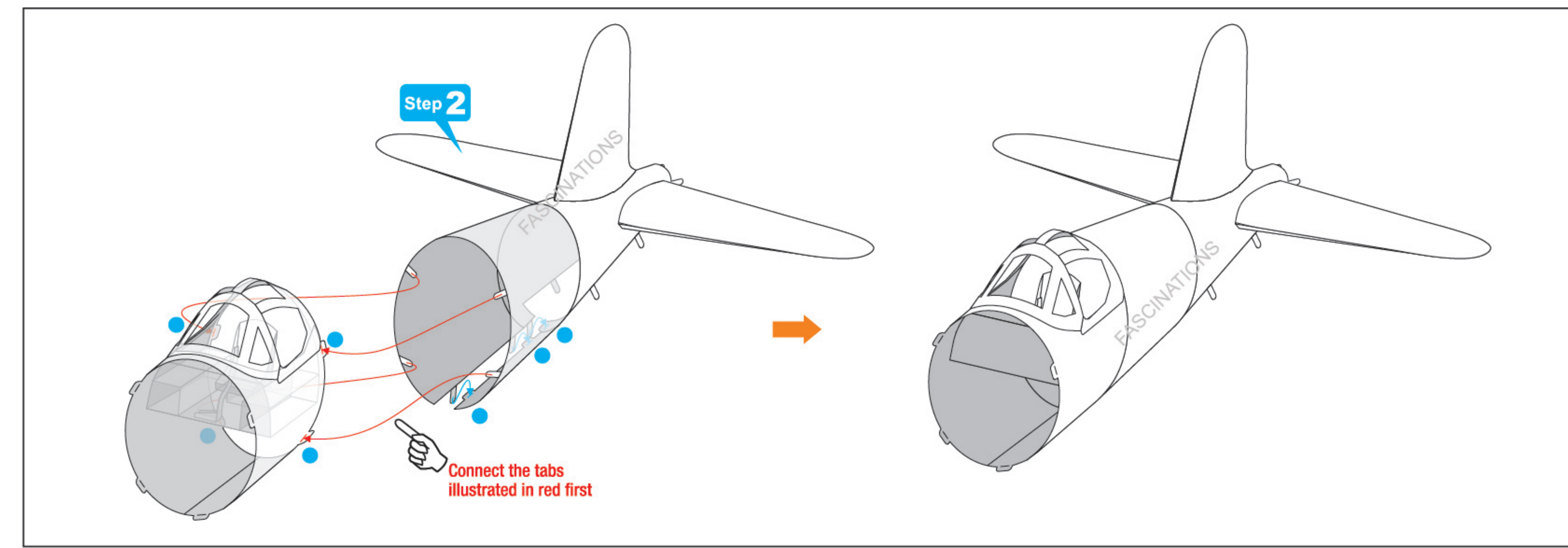
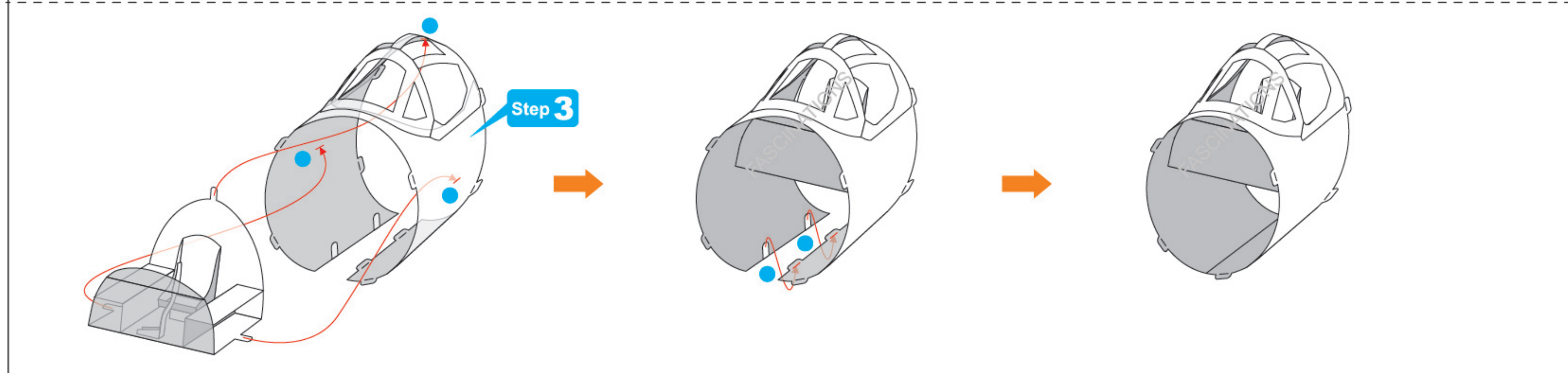
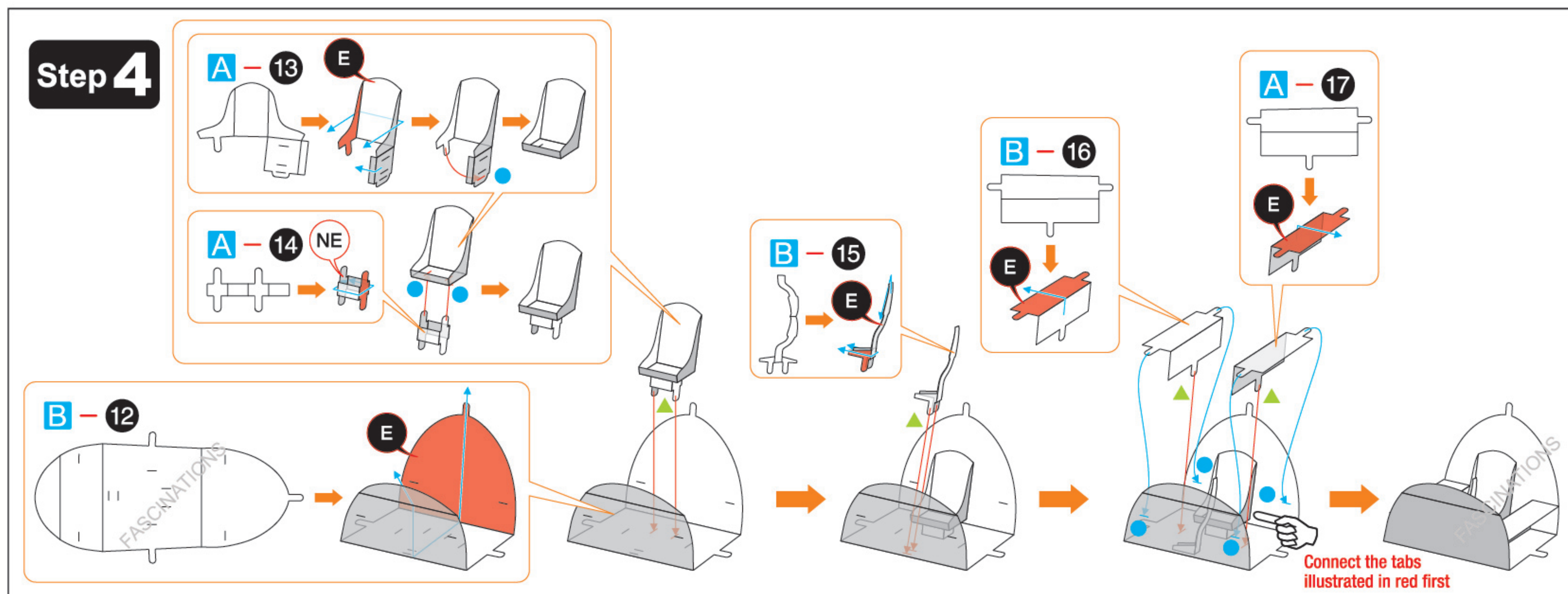
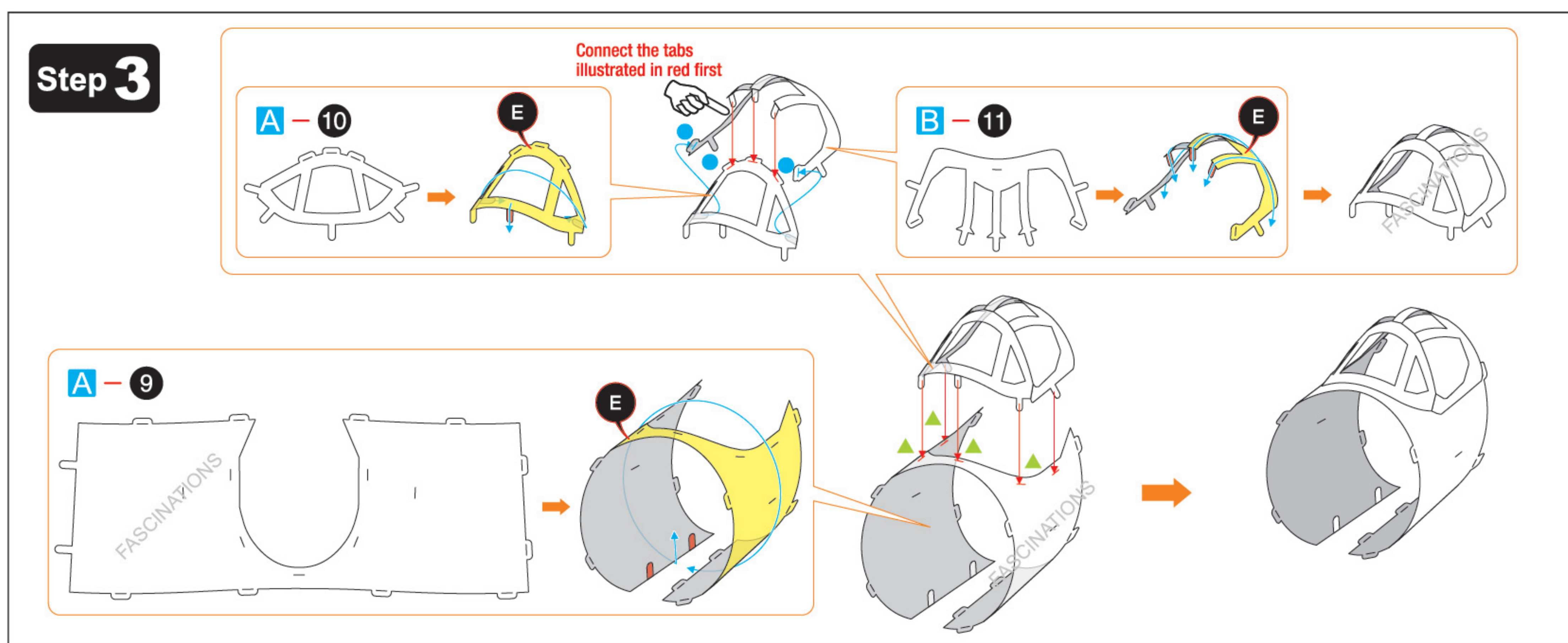
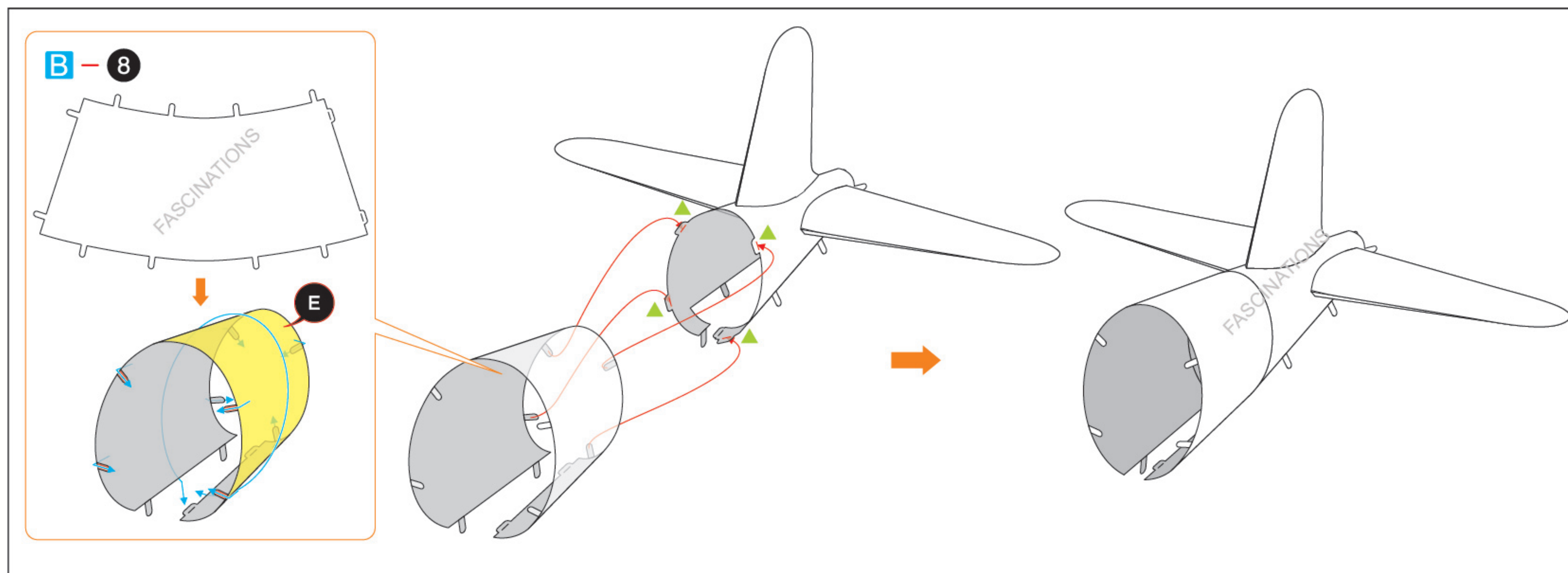
ASSEMBLY FLOW CHART

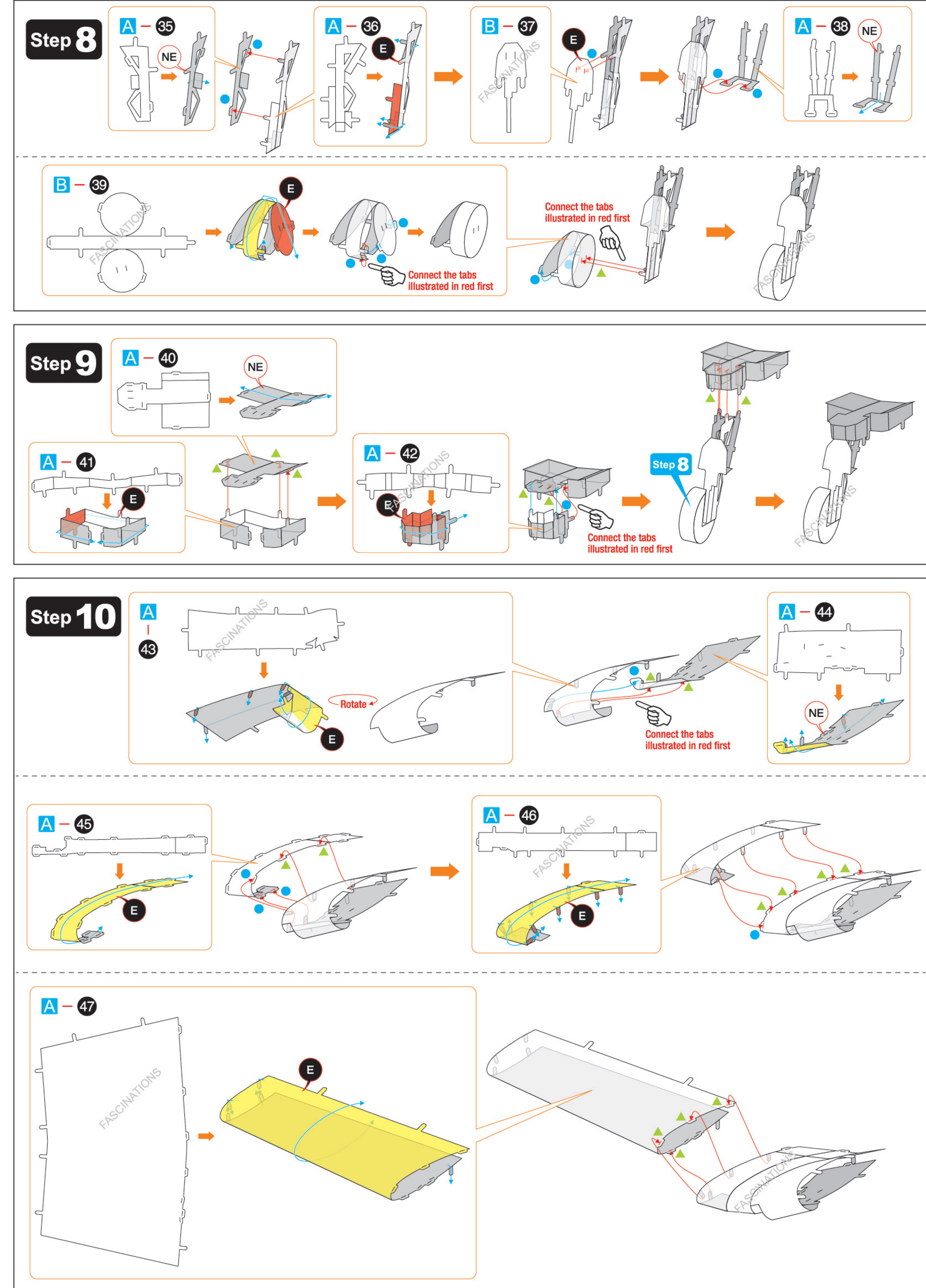
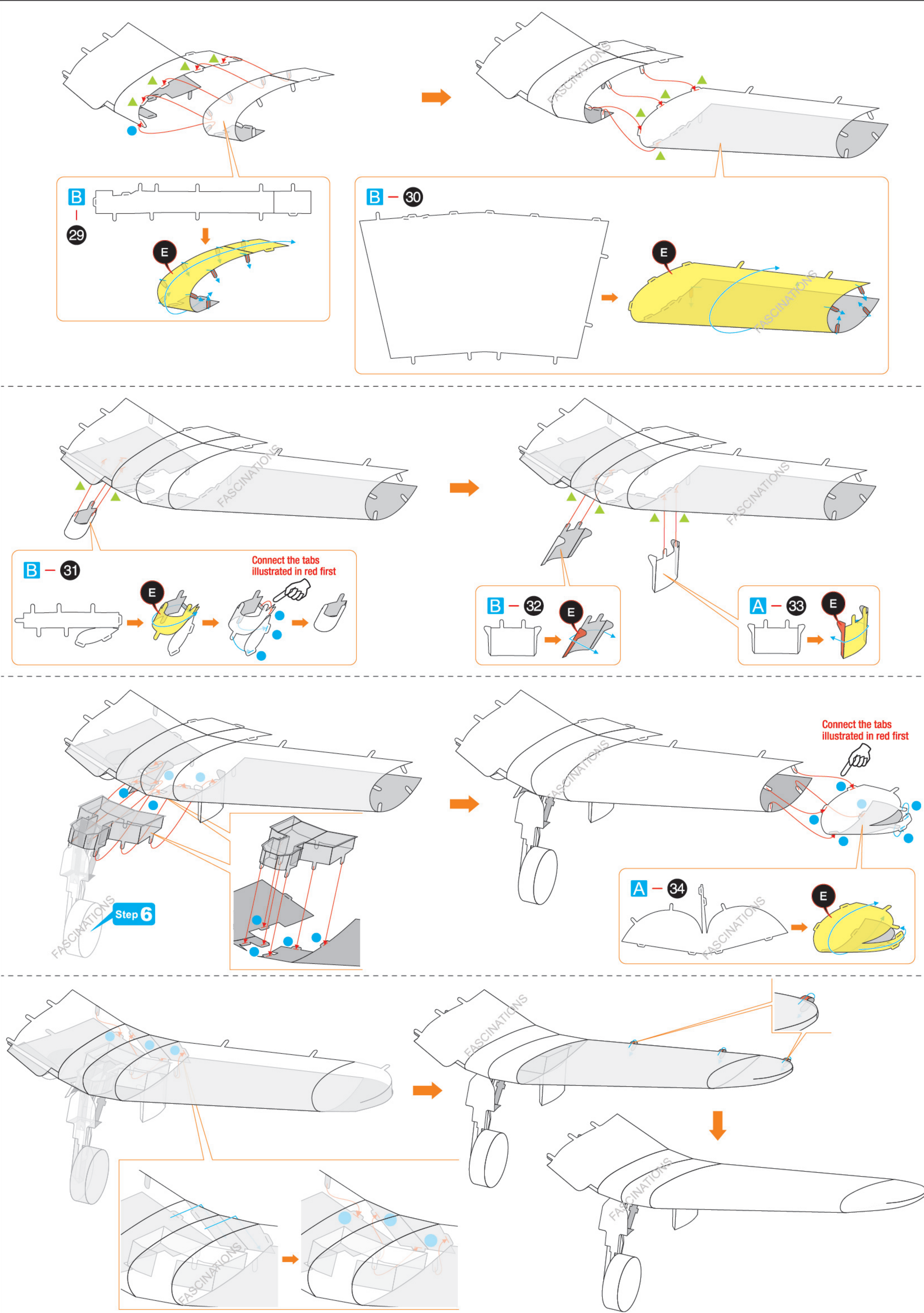
Step 1

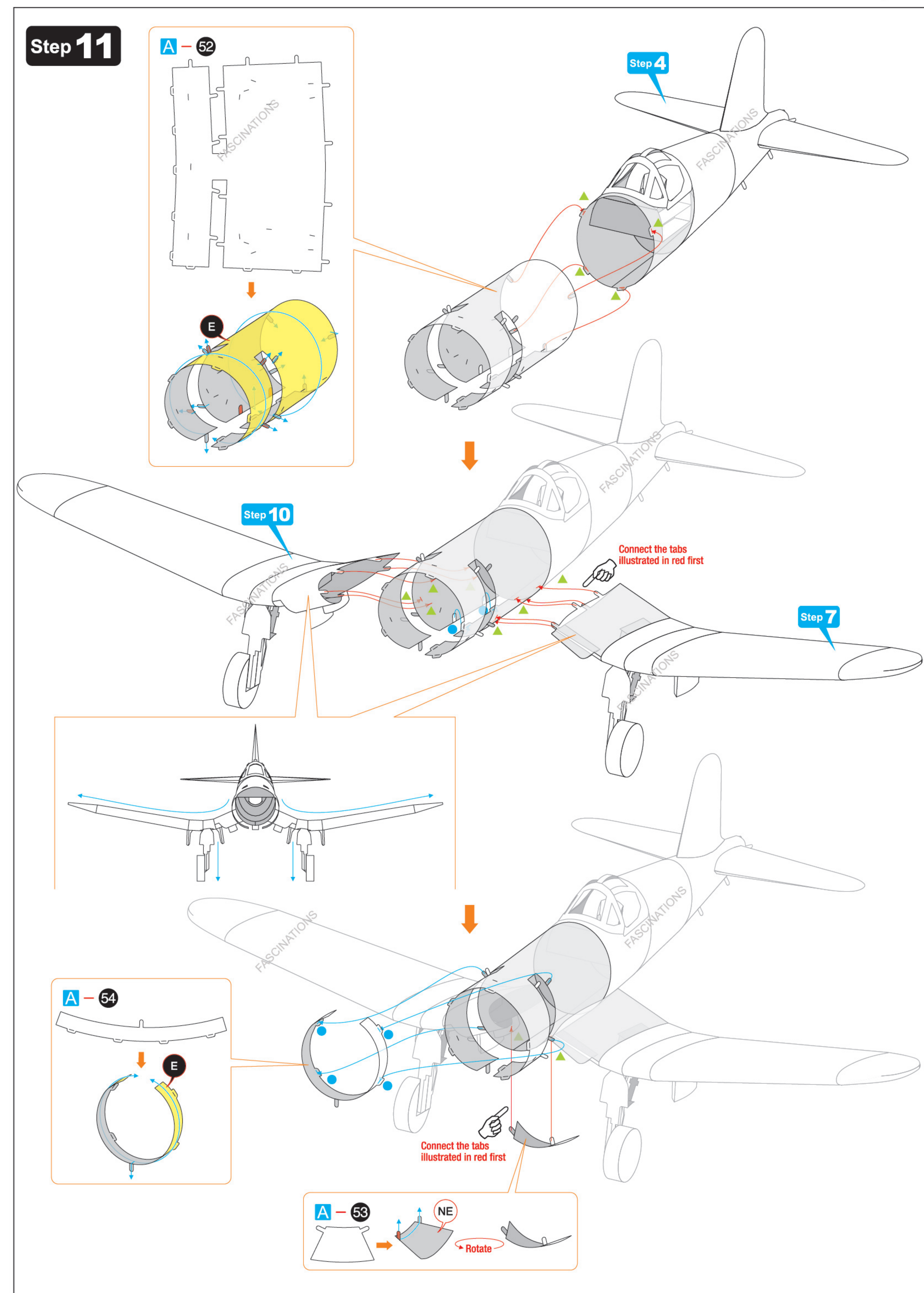
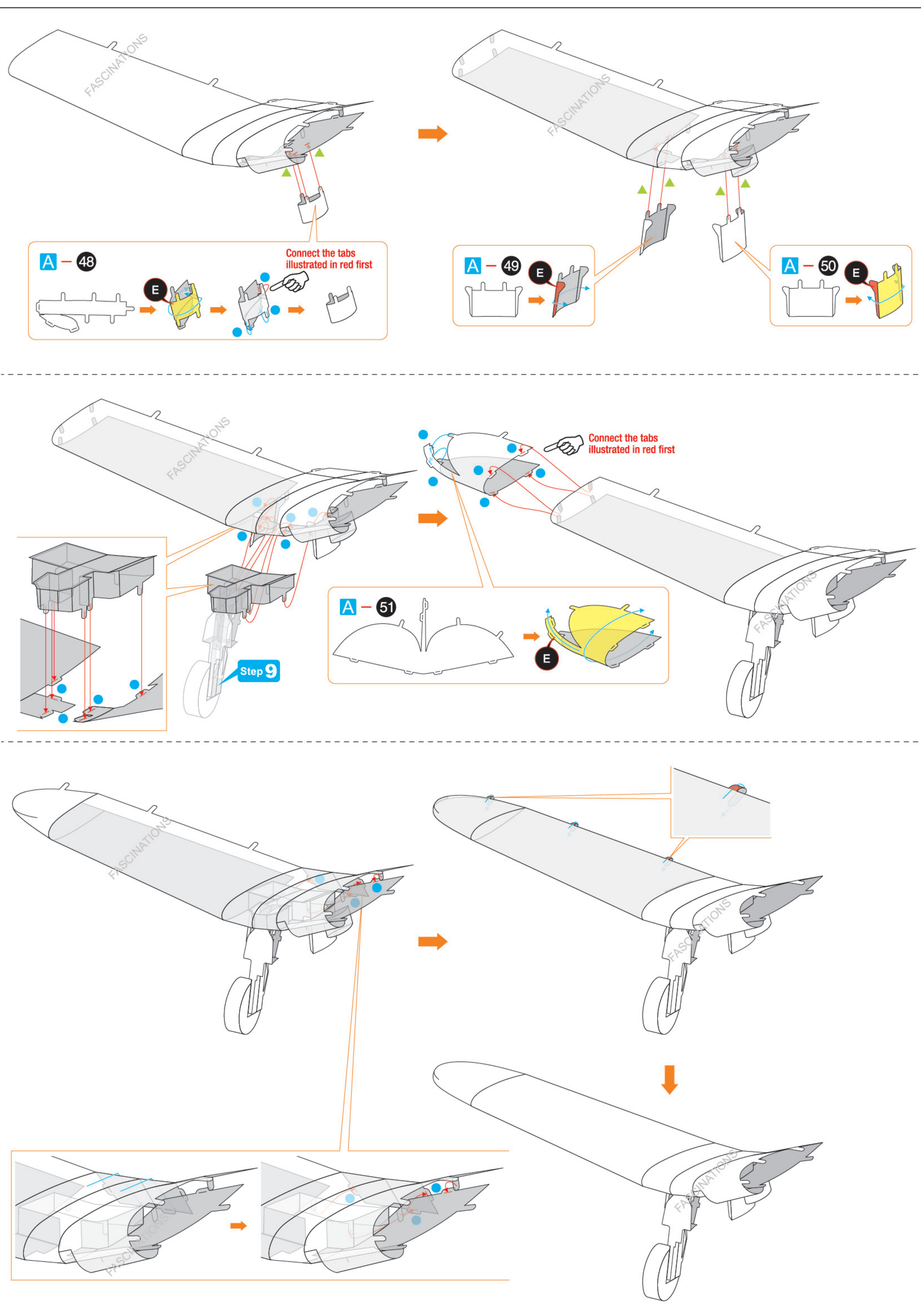


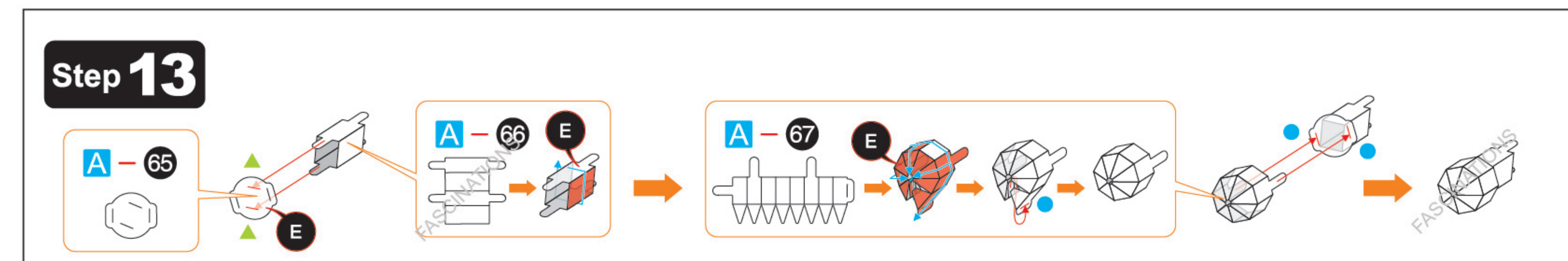
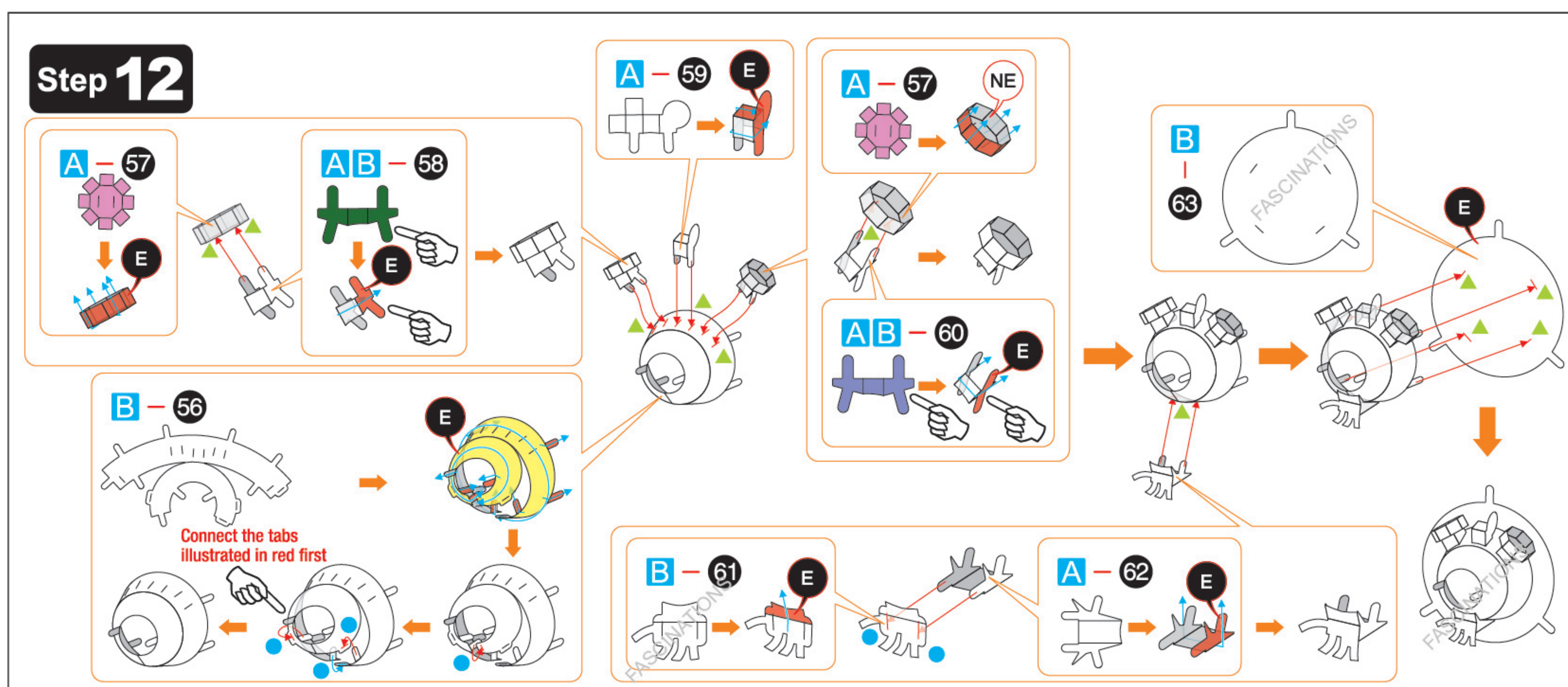
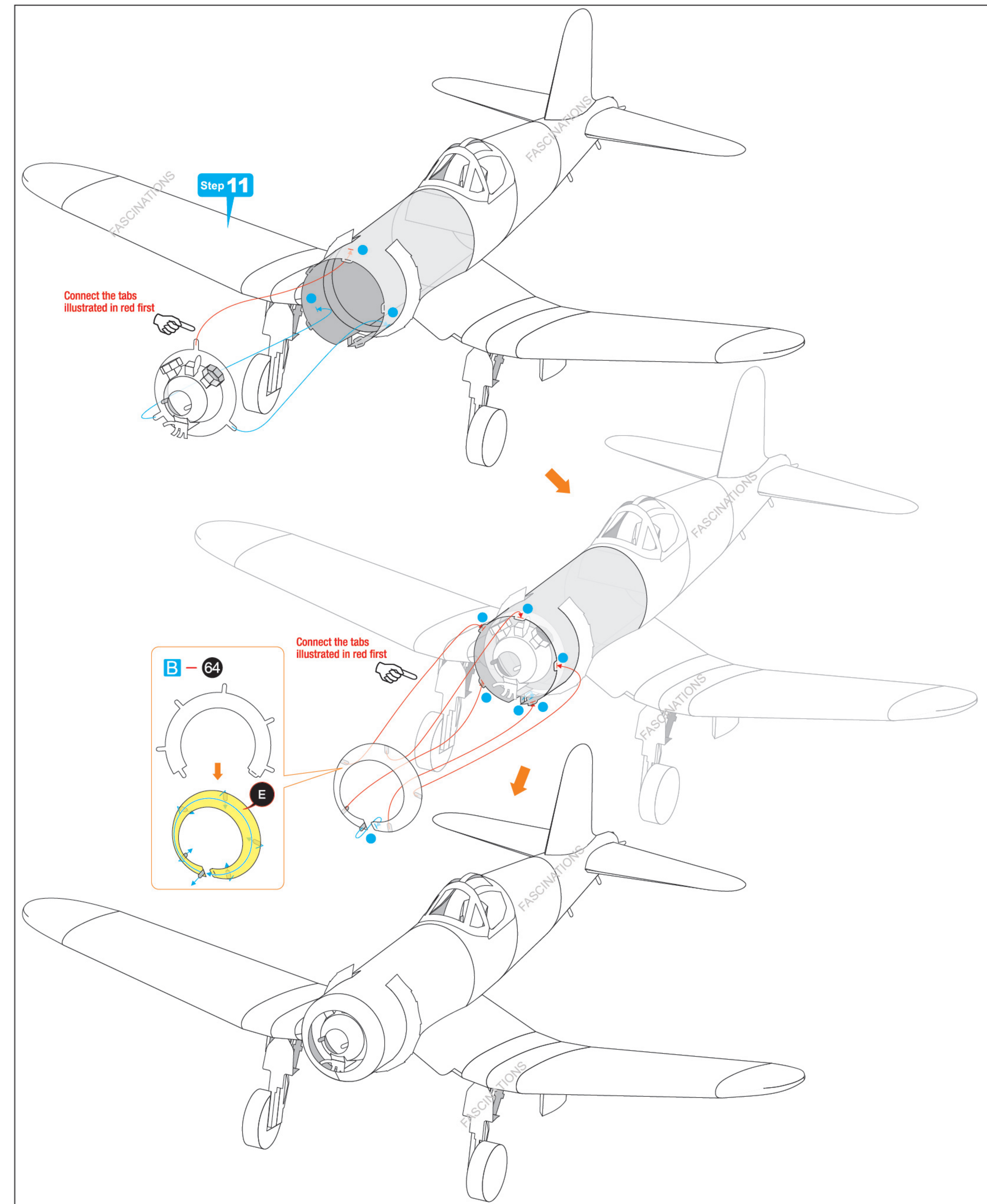
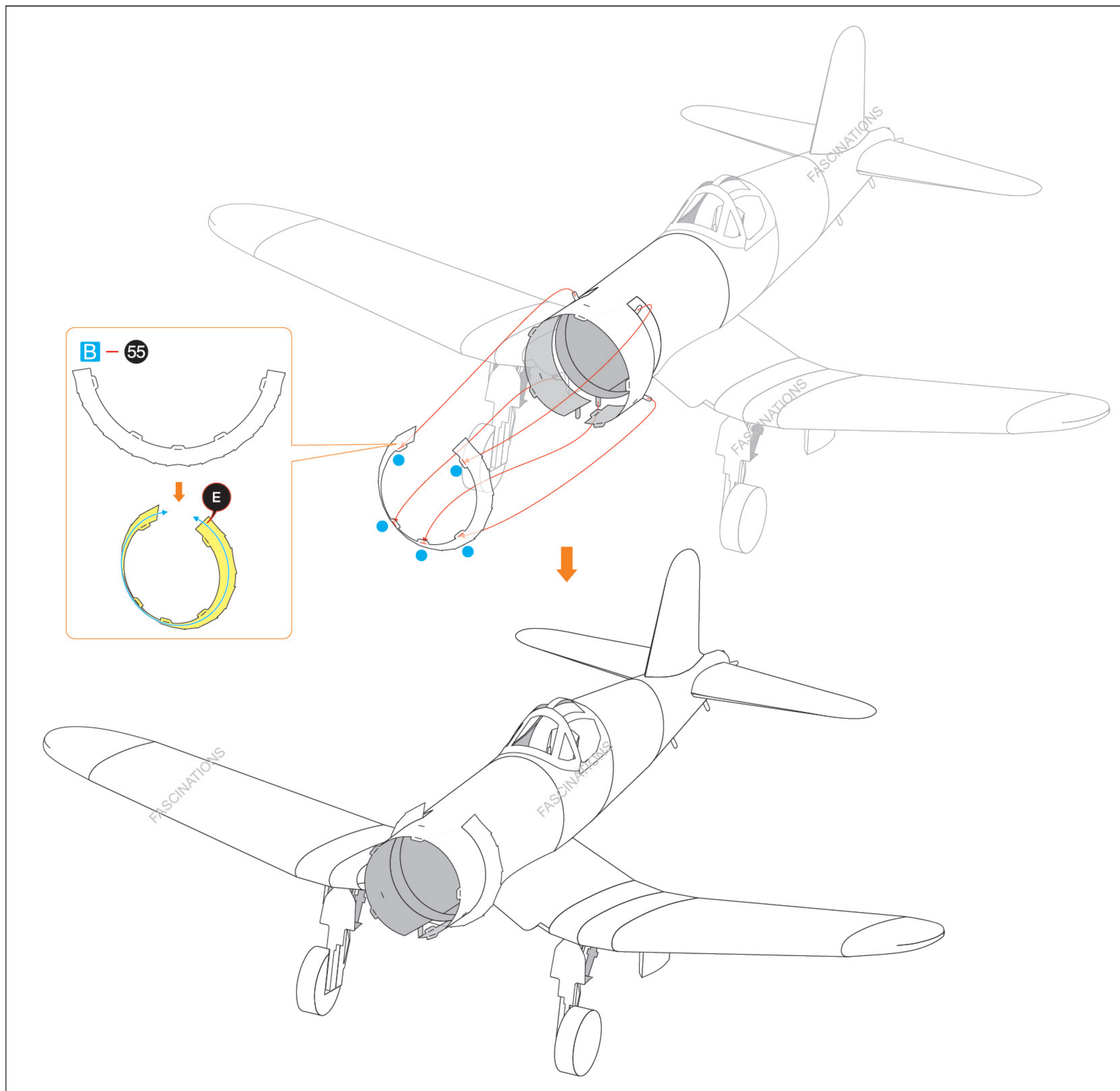
Step 2



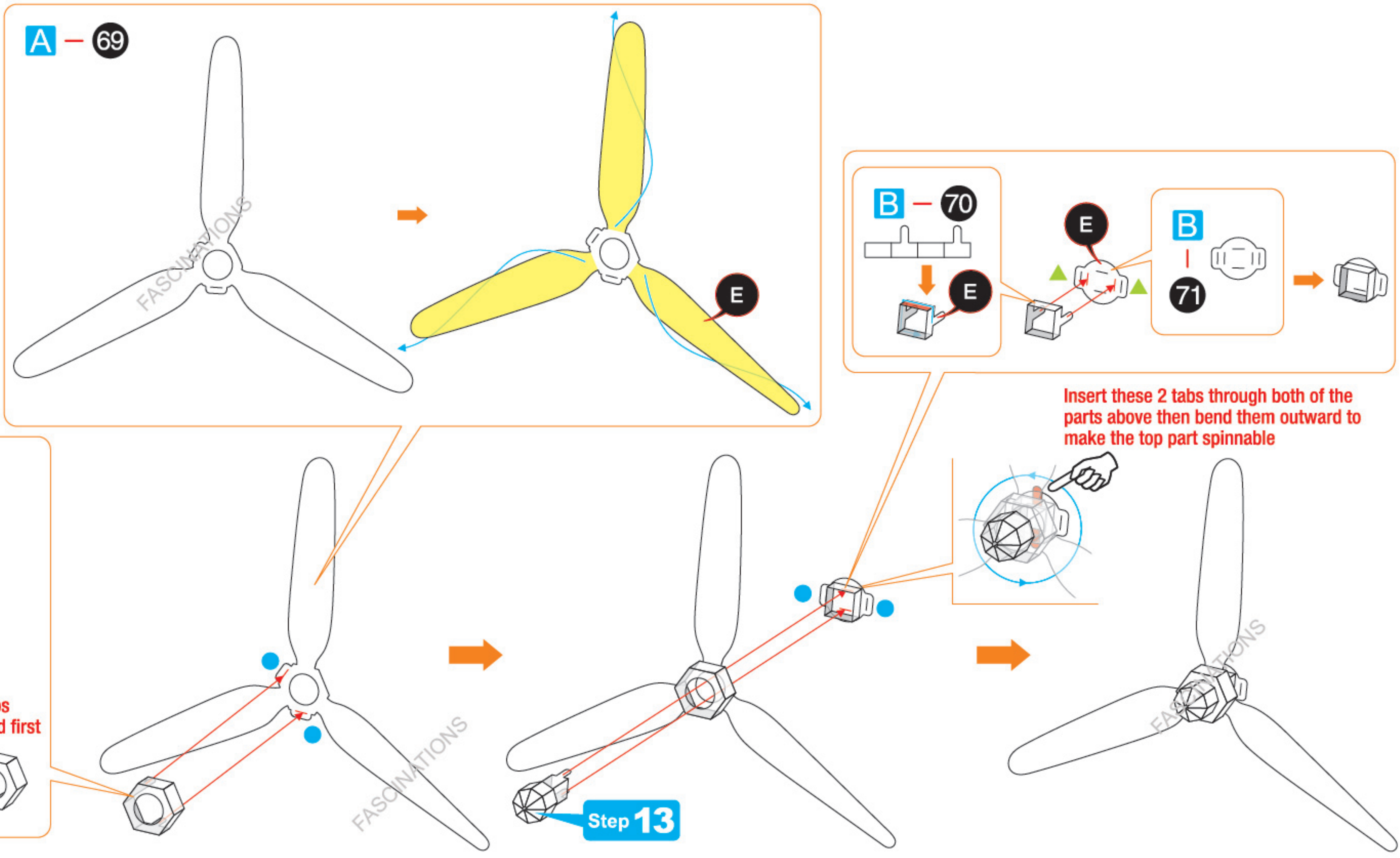








Step 14



Step 15

