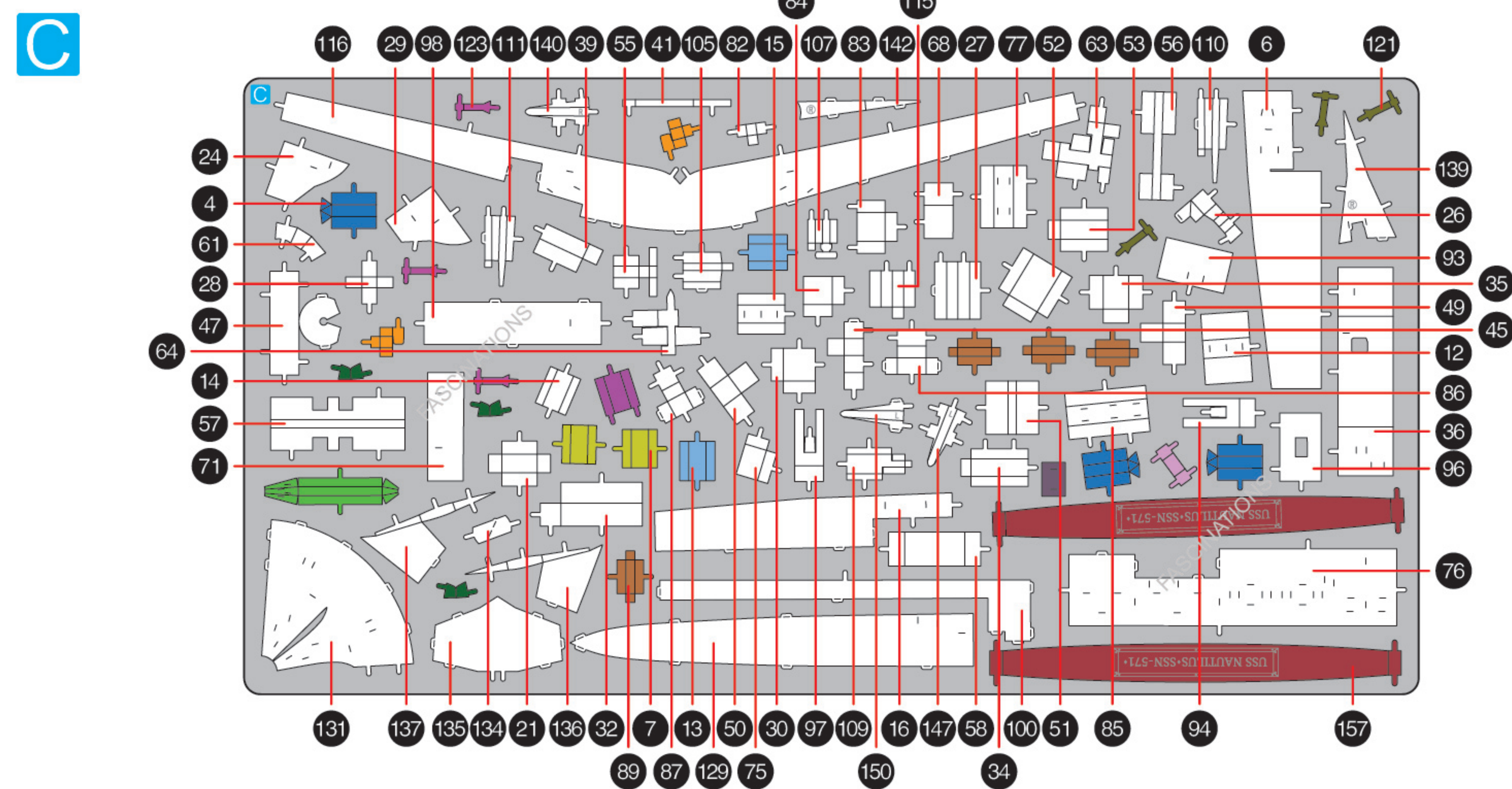
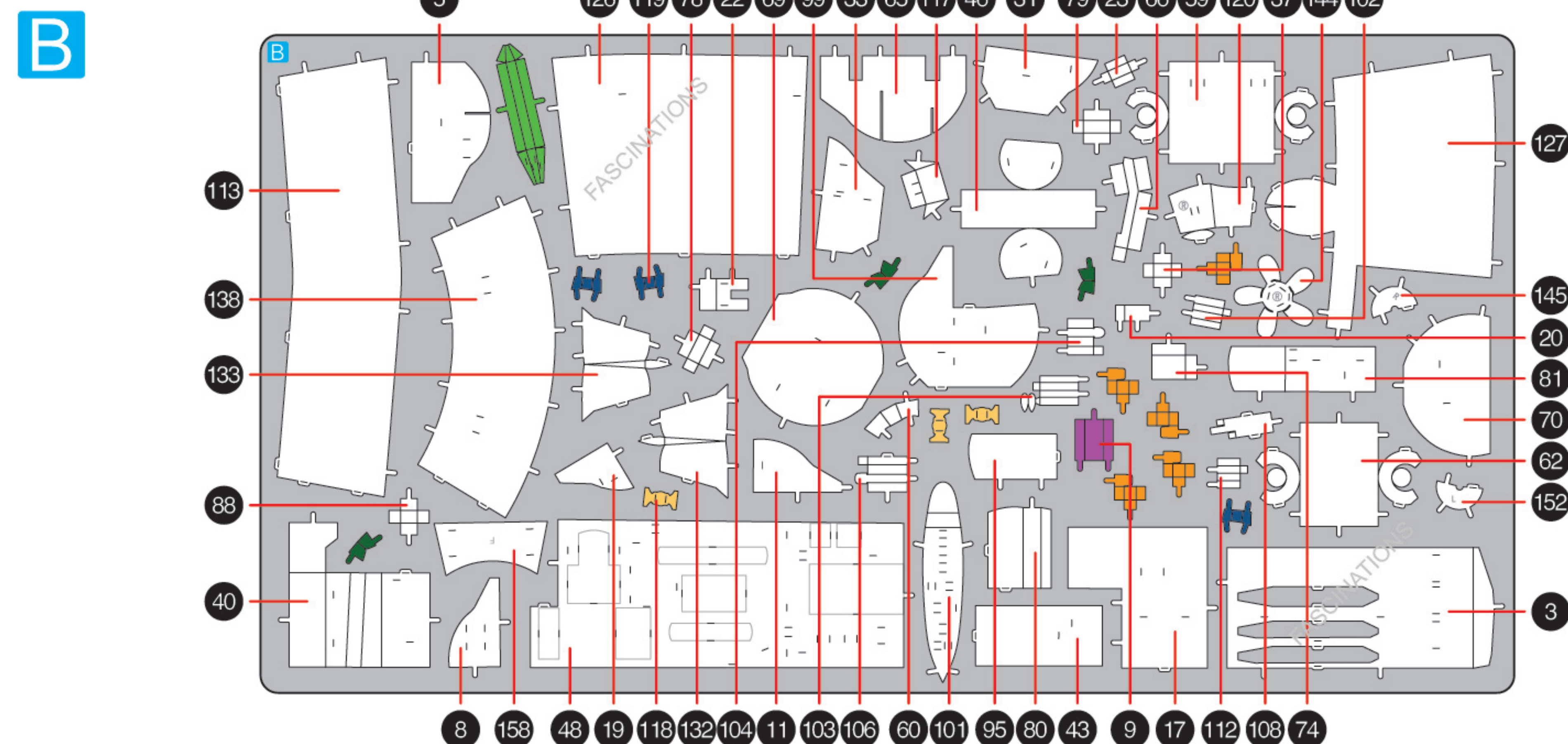
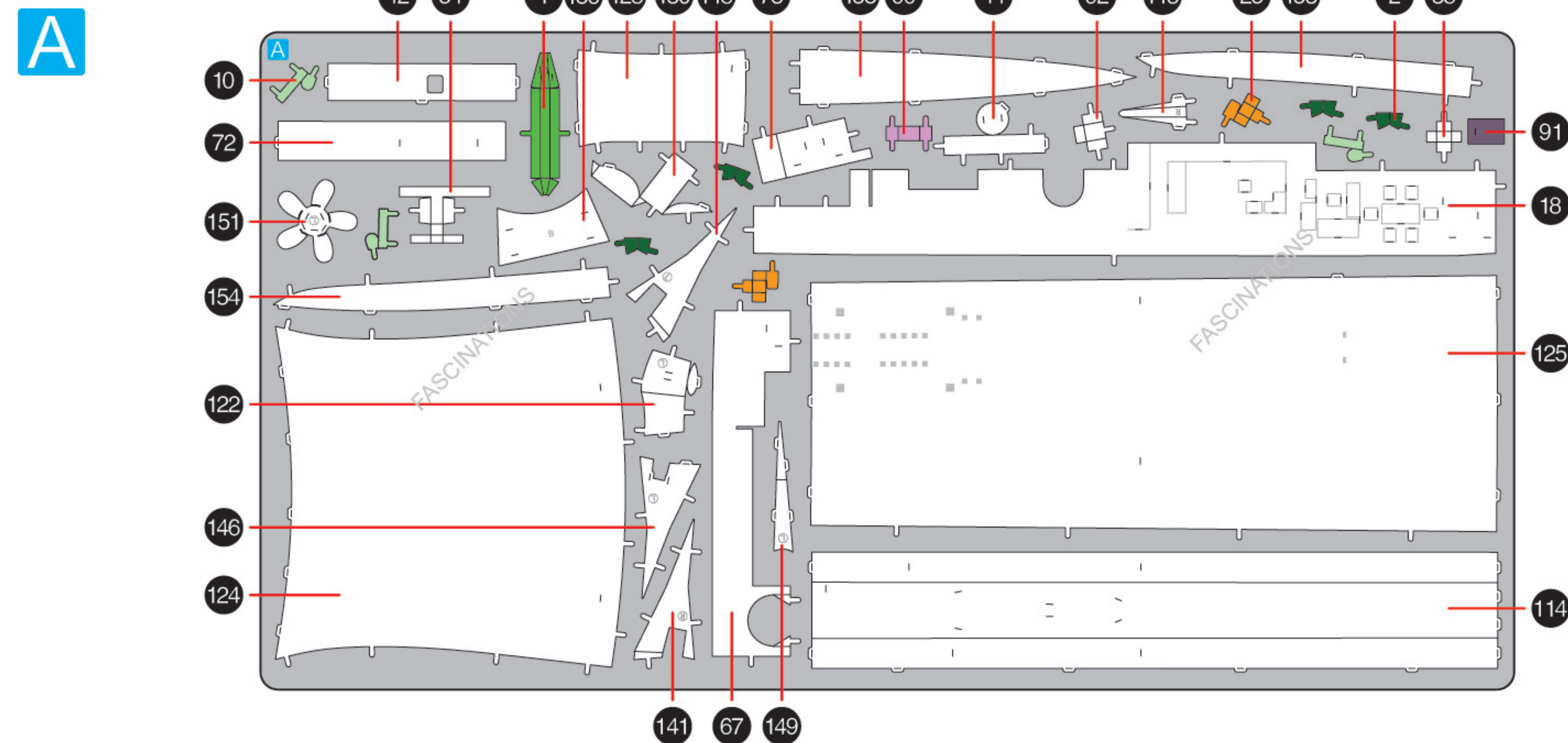


METAL SHEETS

Parts with same color are duplicates



Metal Earth

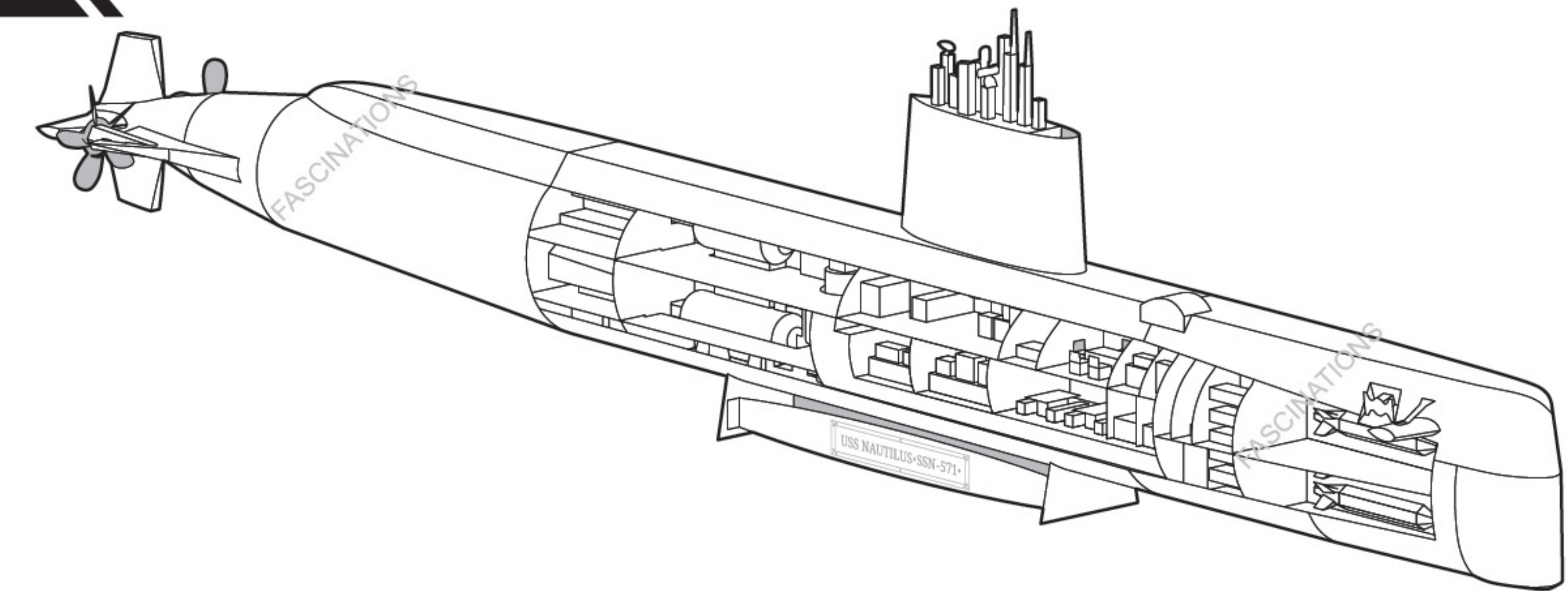
360° view



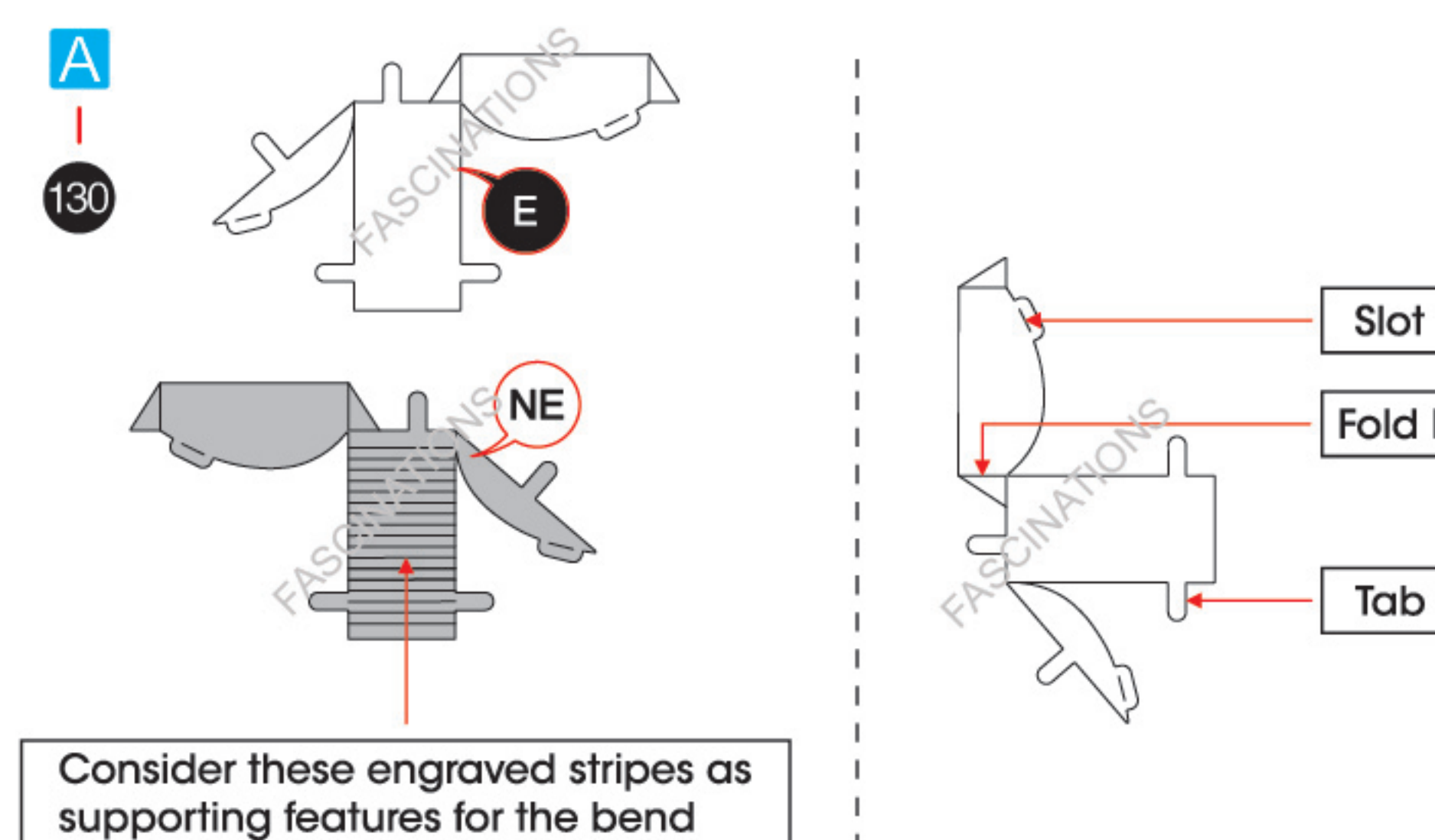
It is highly recommended that you visit www.metalearth.com/360/PS2023 to see the completed model before assembling your own

Premium Series

PS2023 USS NAUTILUS



TO CREATE THE BEST CONNECTIONS



Legends:

- E** Engraved/ Color side
- NE** Non - engraved/ Silver side
- Attention point
- Insert tab and bend 90 degrees
- Insert tab and twist 90 degrees

Recommended tools:

- Wire cutters: helpful for taking parts from the metal sheets.



- Tweezers or needle nose pliers: helpful for folding parts, bending and twisting tabs.



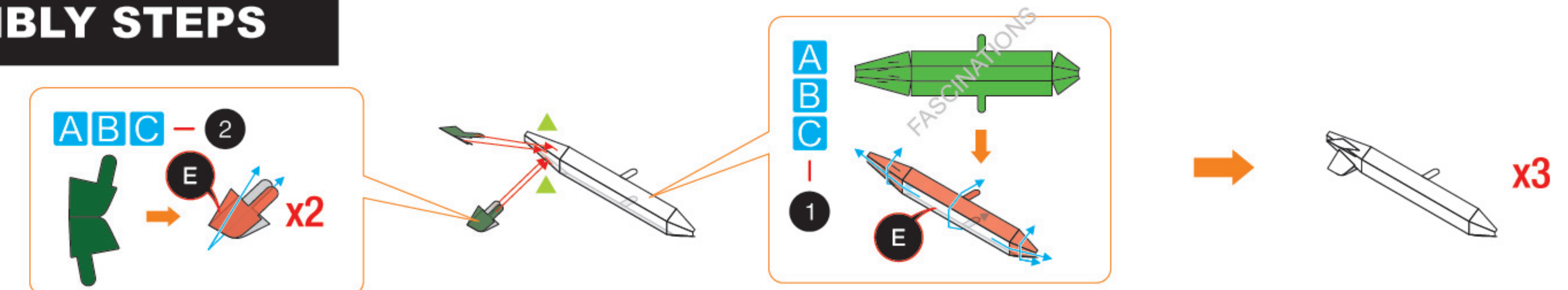
Assembly tip:

If needed, slightly twist tabs to hold parts together then untwist and bend them down for a nice finish.

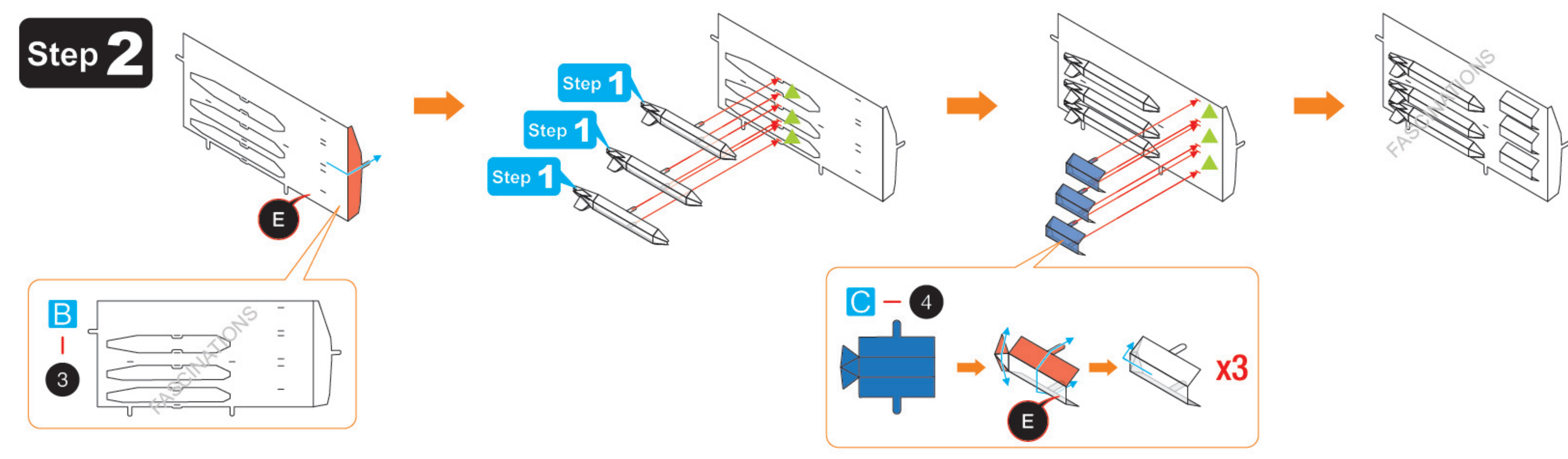
- Yellow areas should be curled
- Red areas should be folded

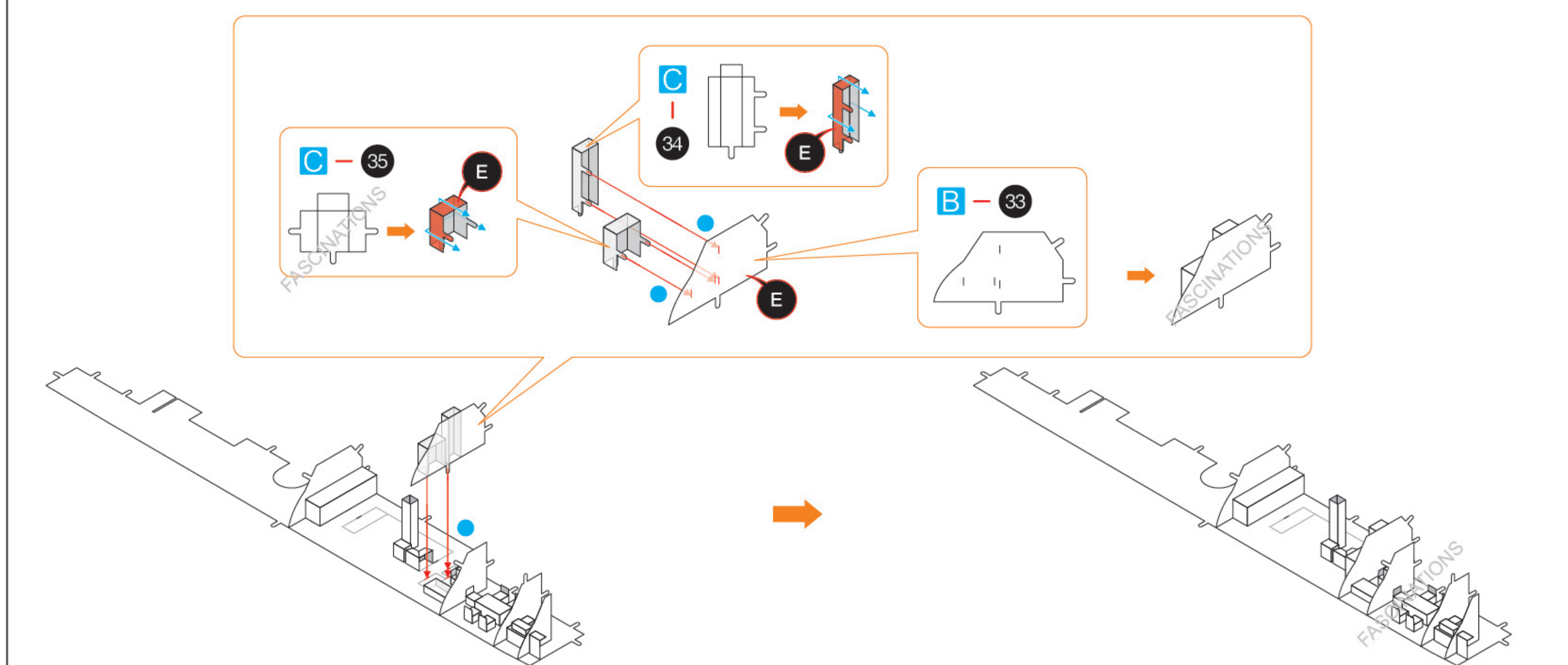
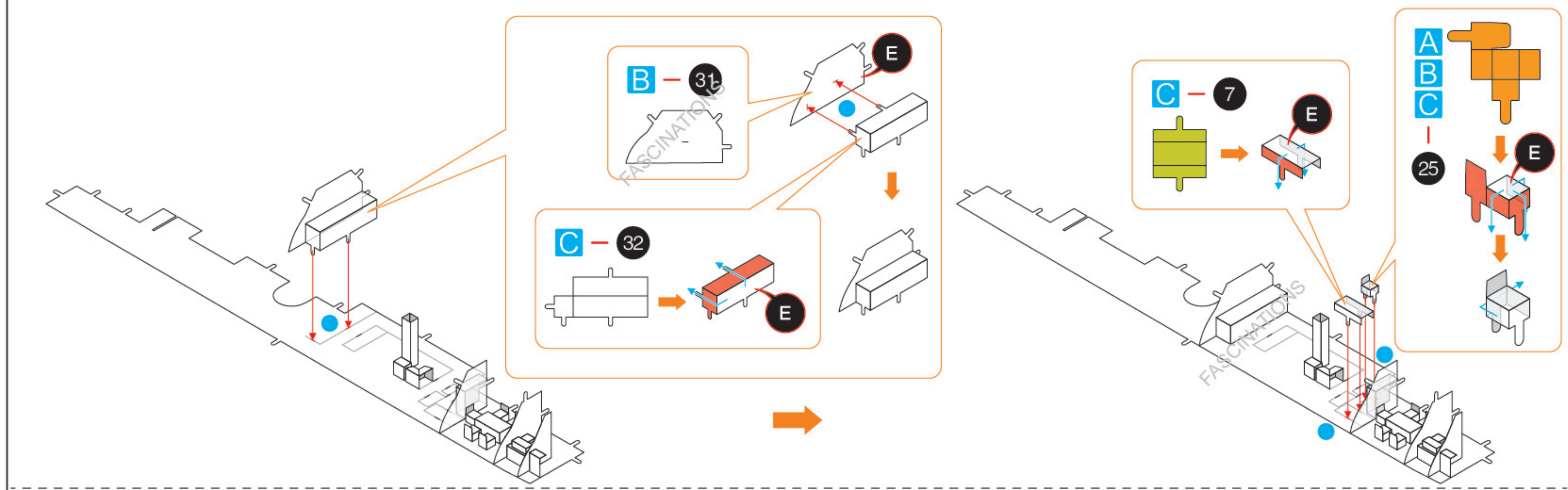
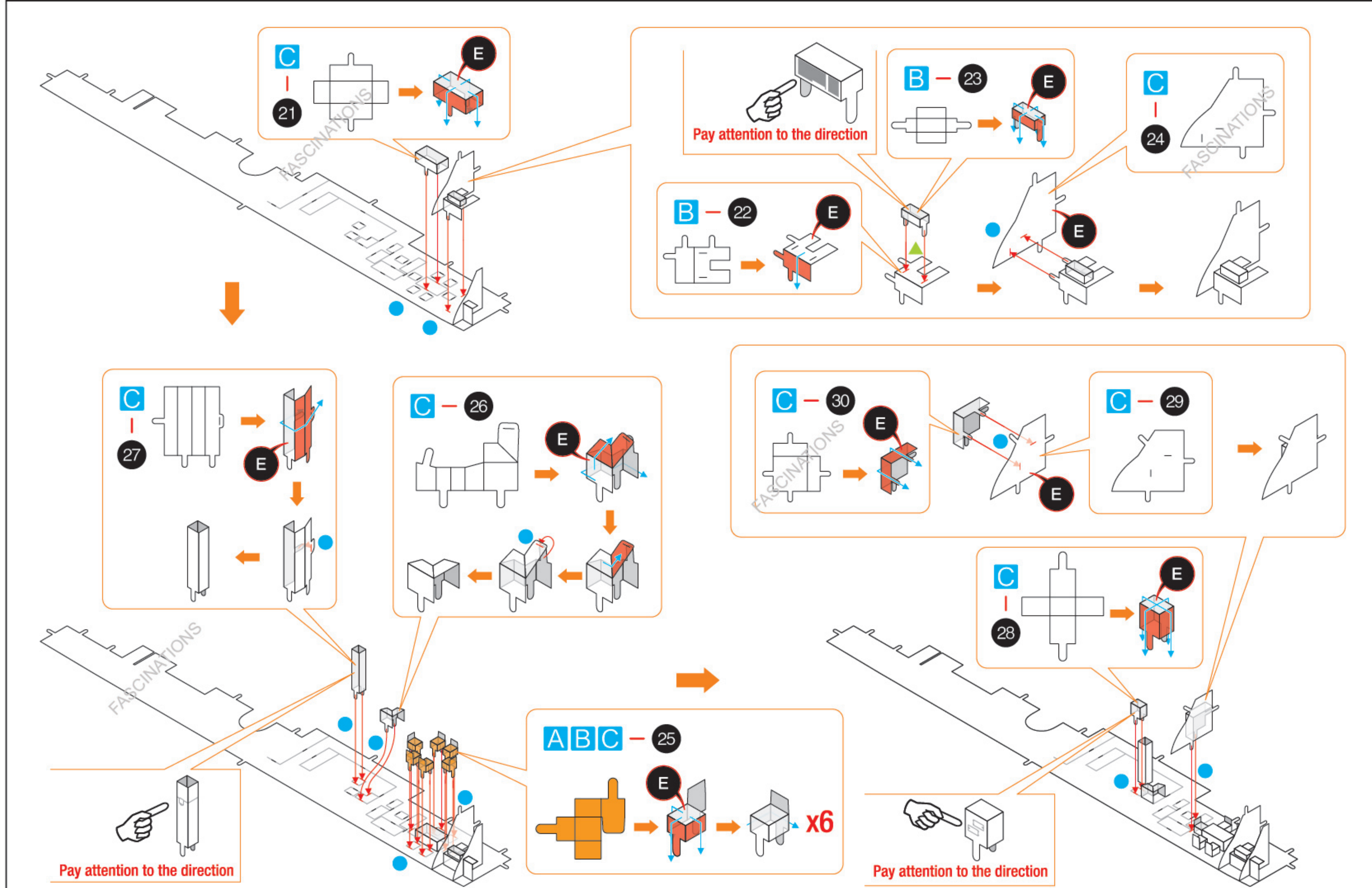
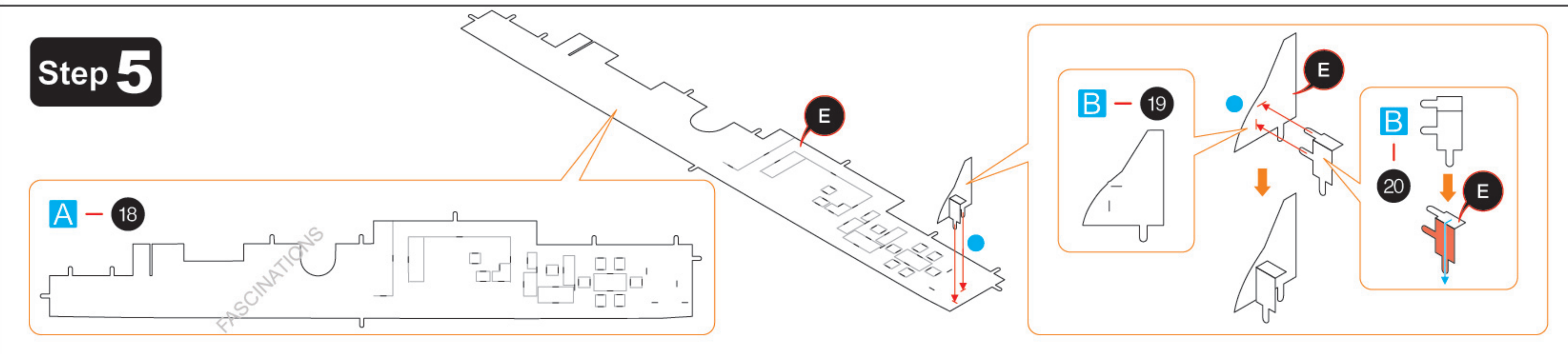
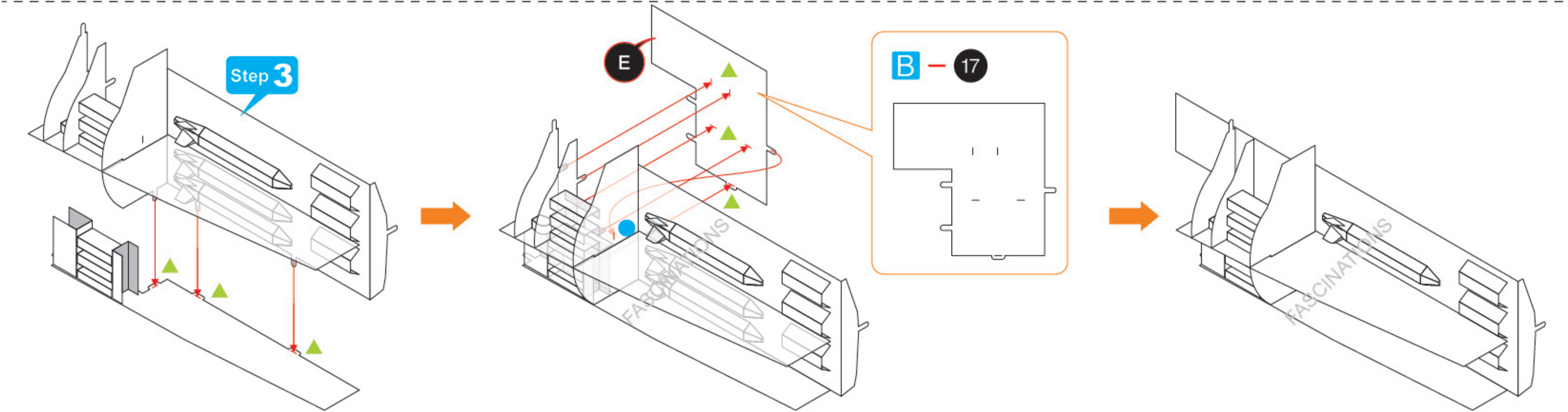
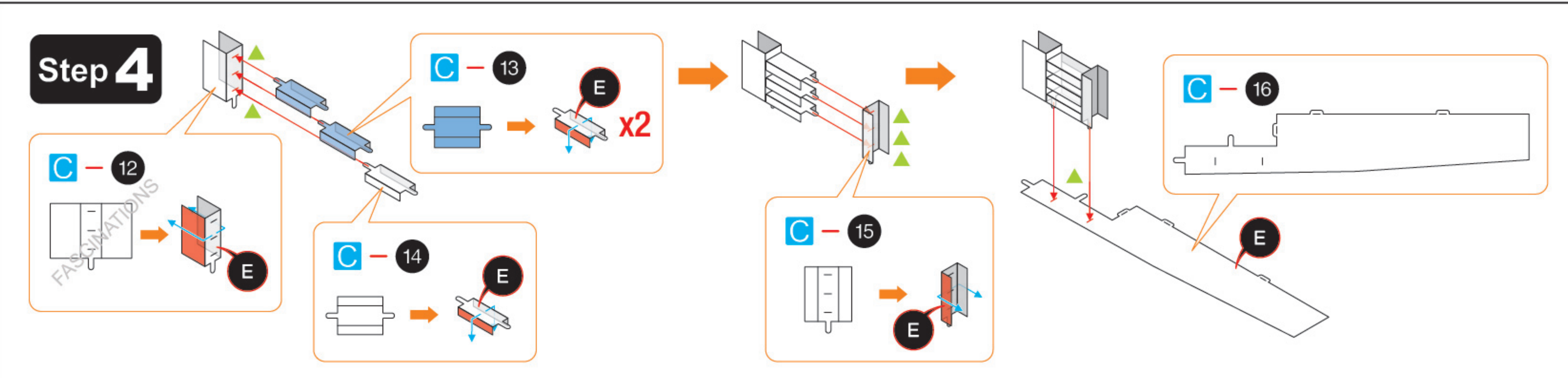
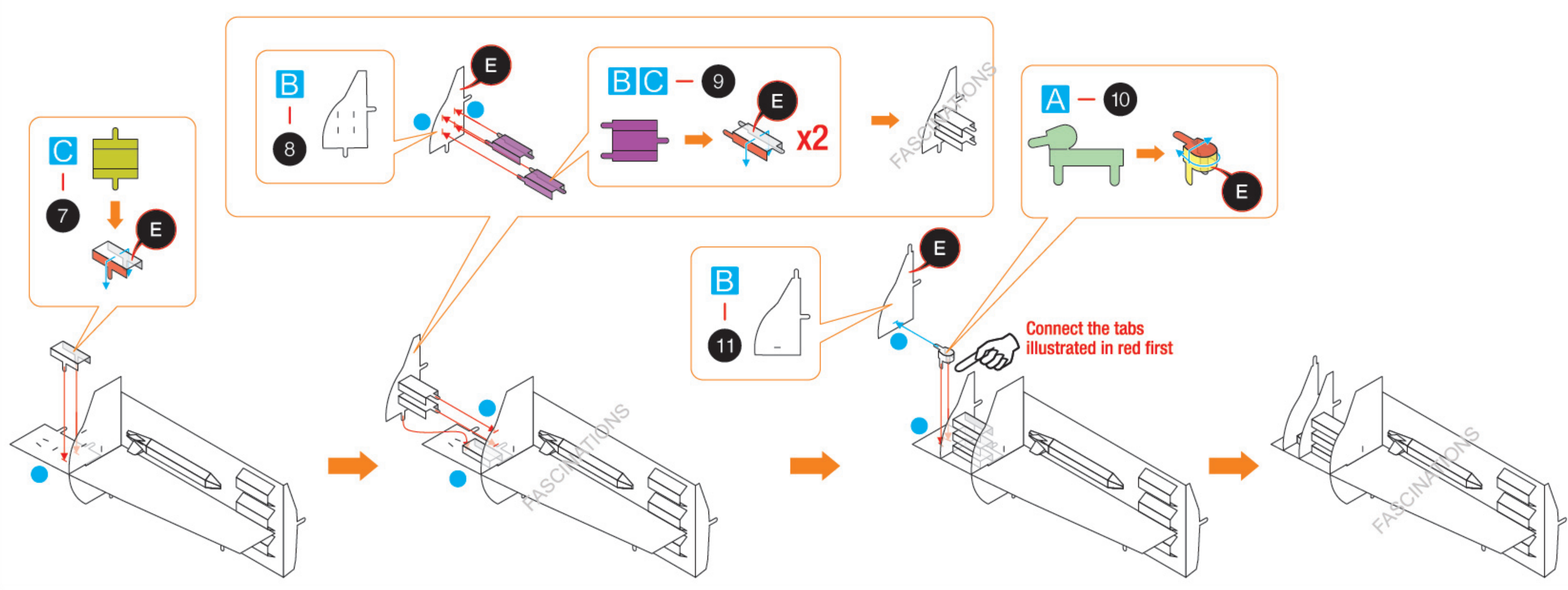
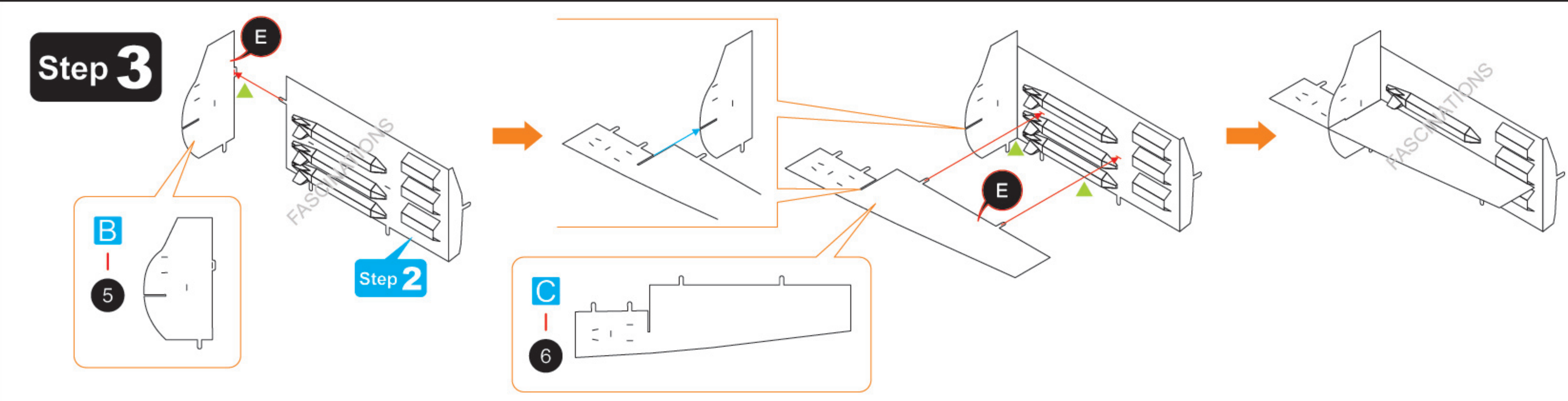
ASSEMBLY STEPS

Step 1



Step 2





Step 6

Pay attention to the direction

Pay attention to the direction

Step 7

Step 8

Step 9

Connect the tabs illustrated in red first

Step 10

Step 10

Step 10

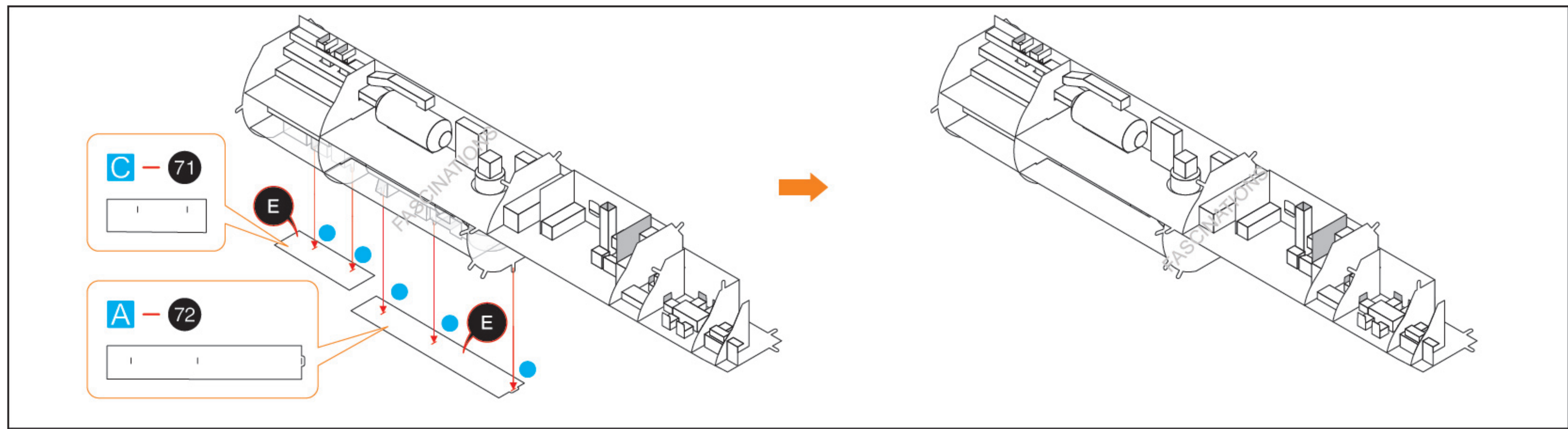
Connect the tabs illustrated in red first

Pay attention to the direction

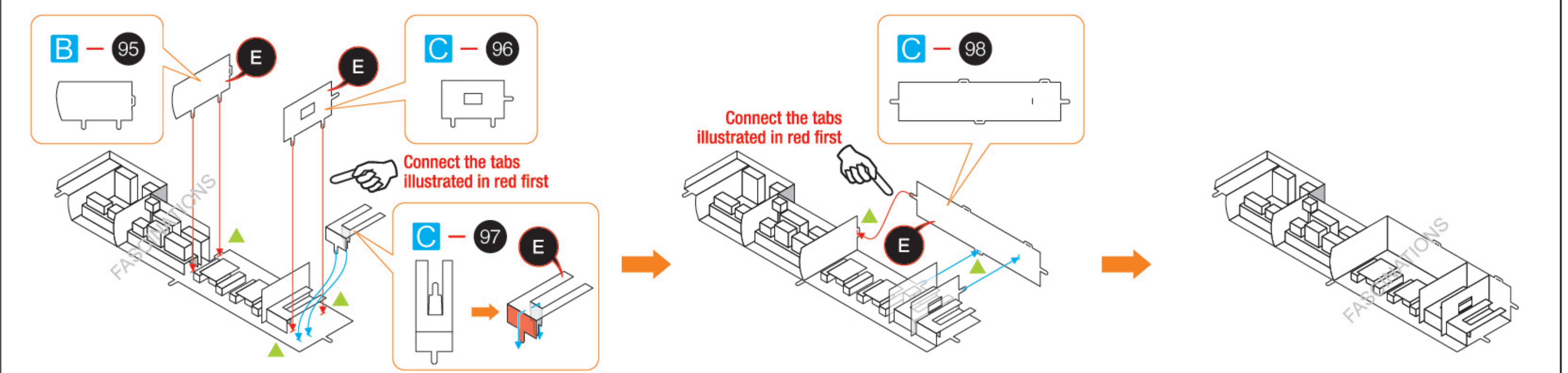
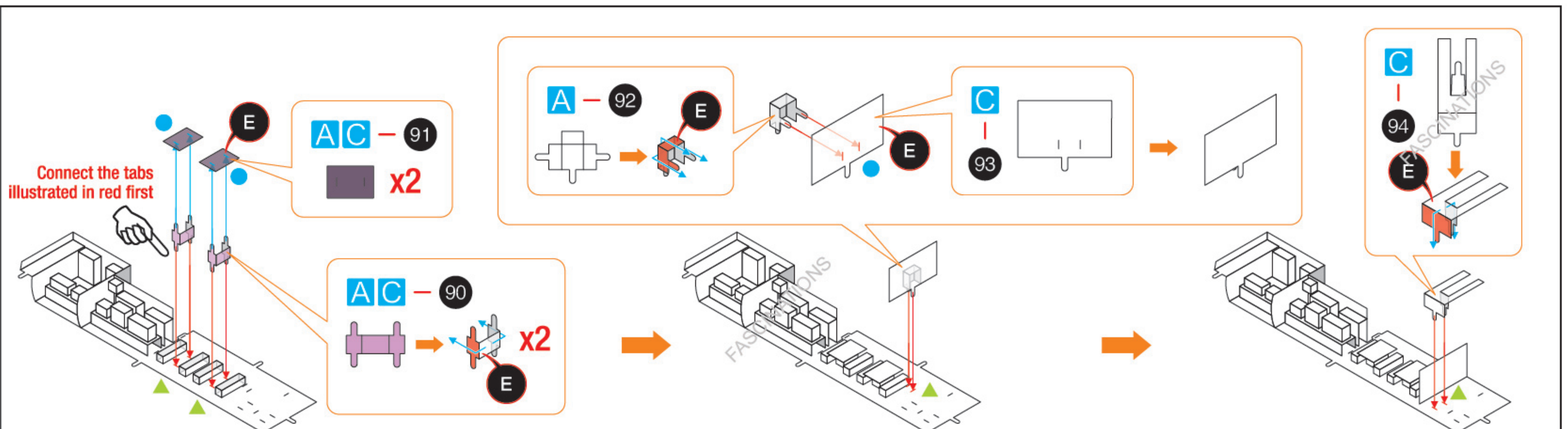
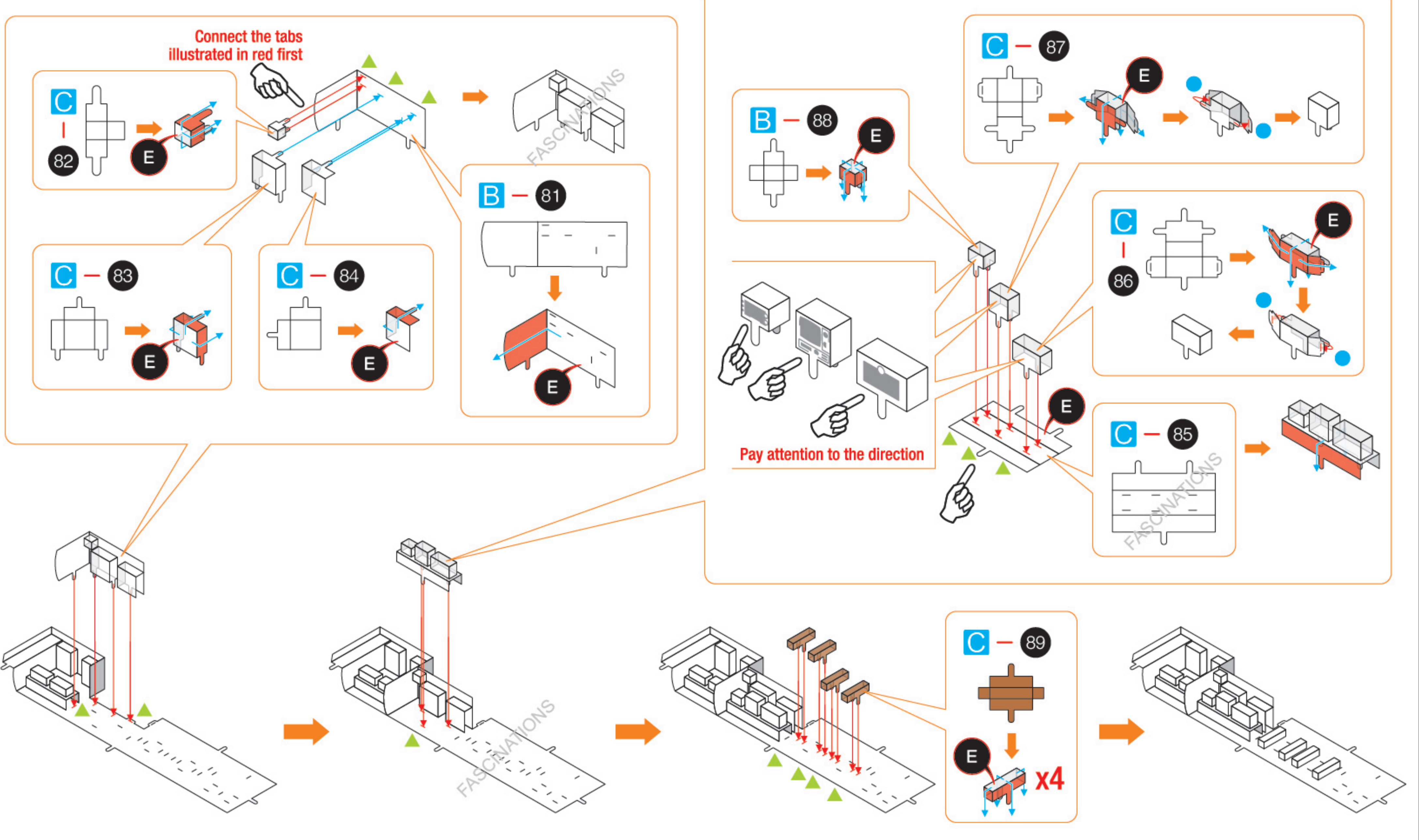
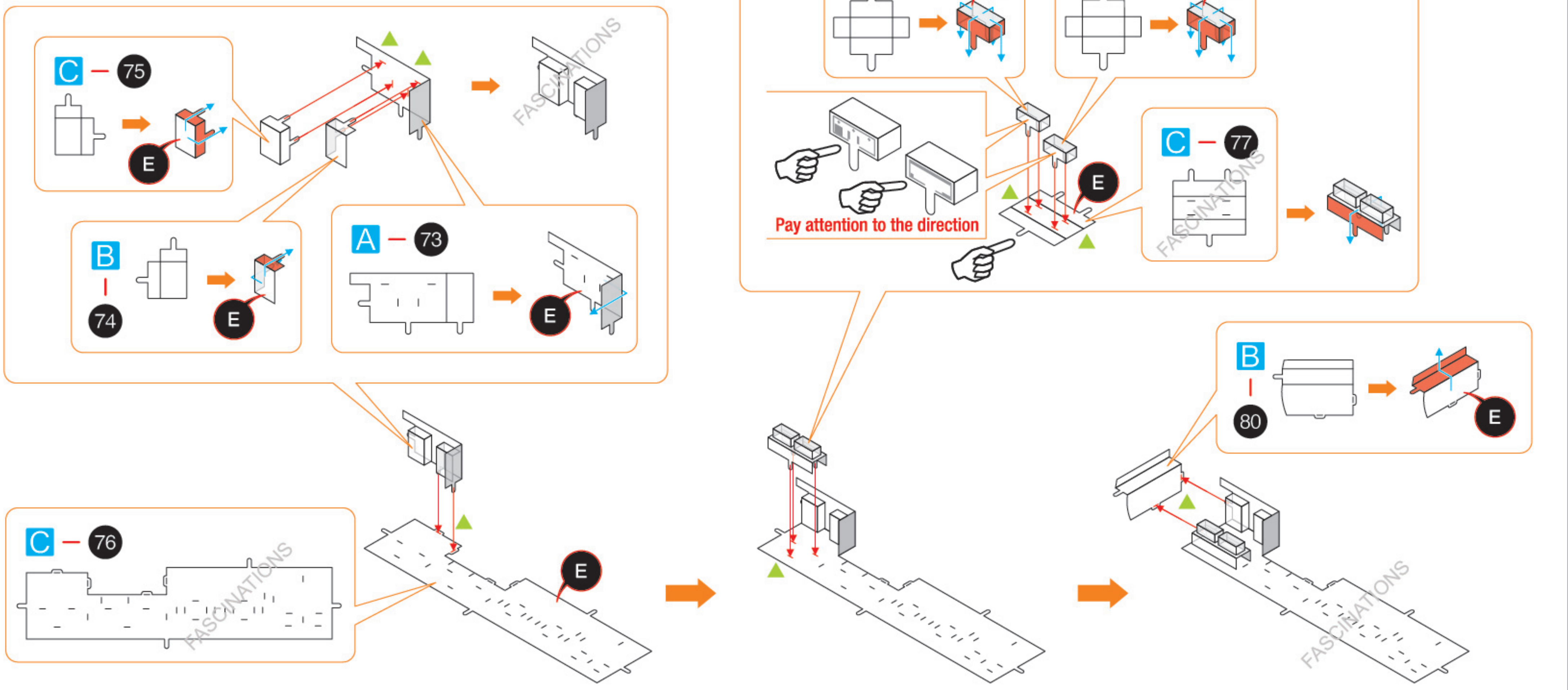
Step 9

Step 10

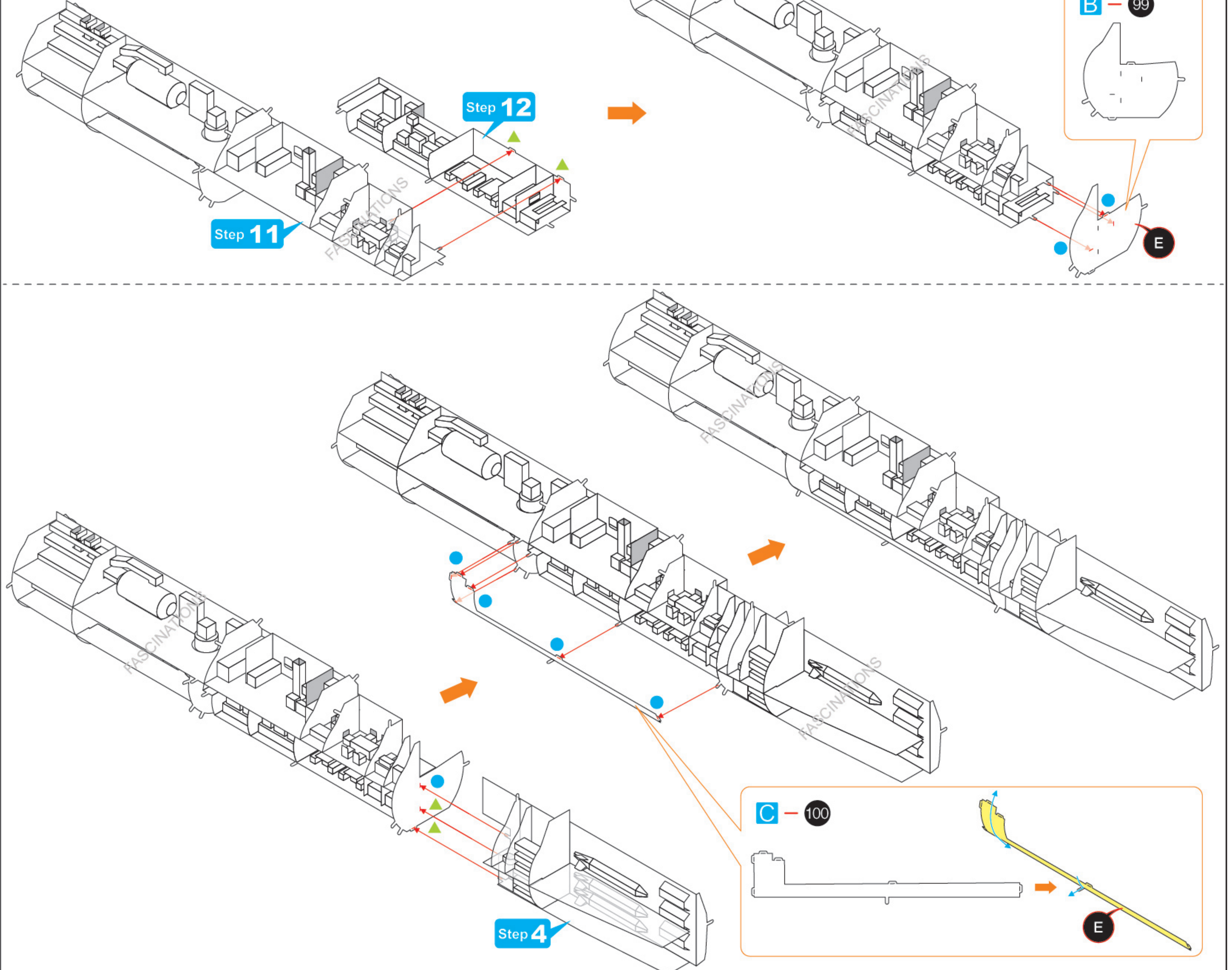
Step 11



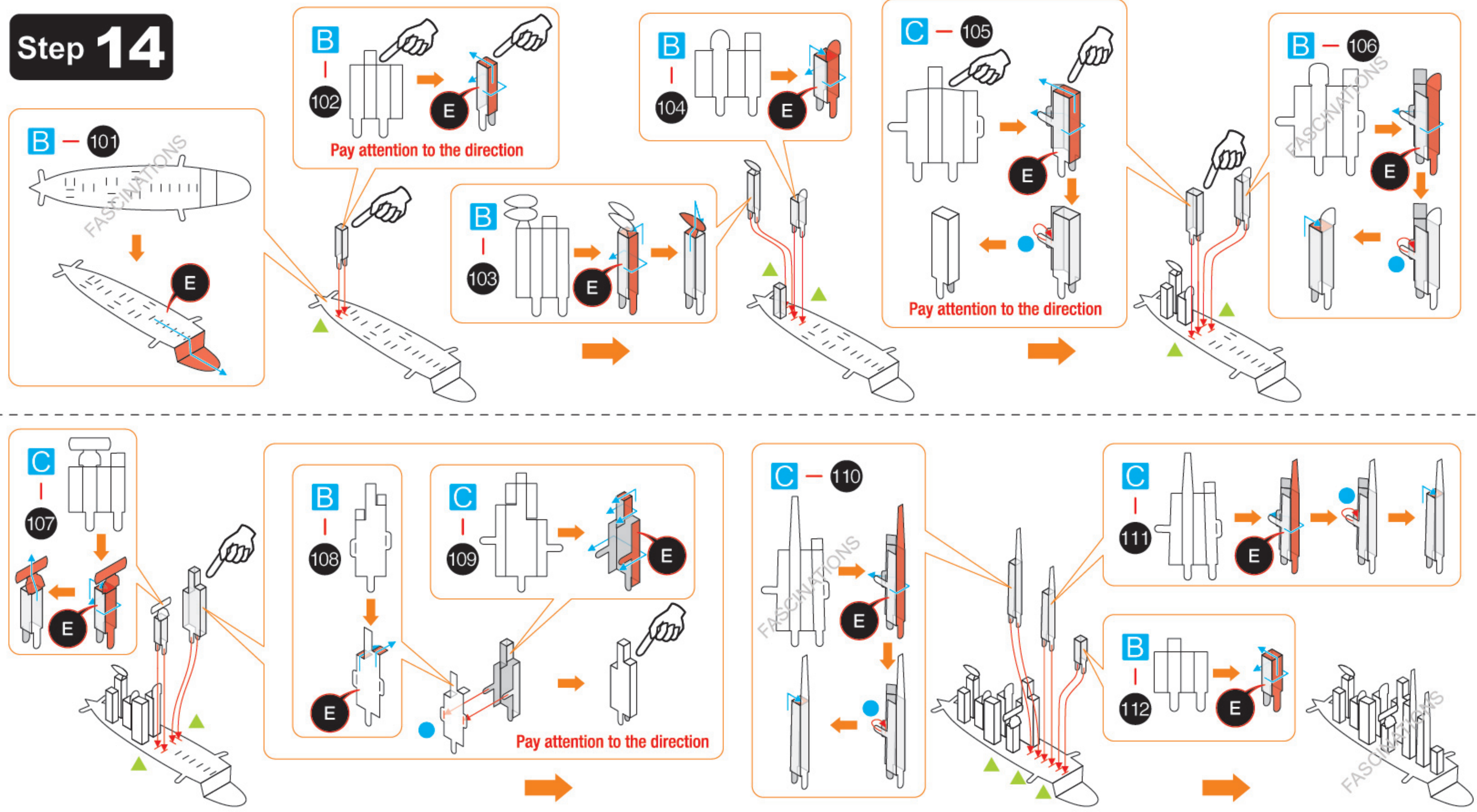
Step 12



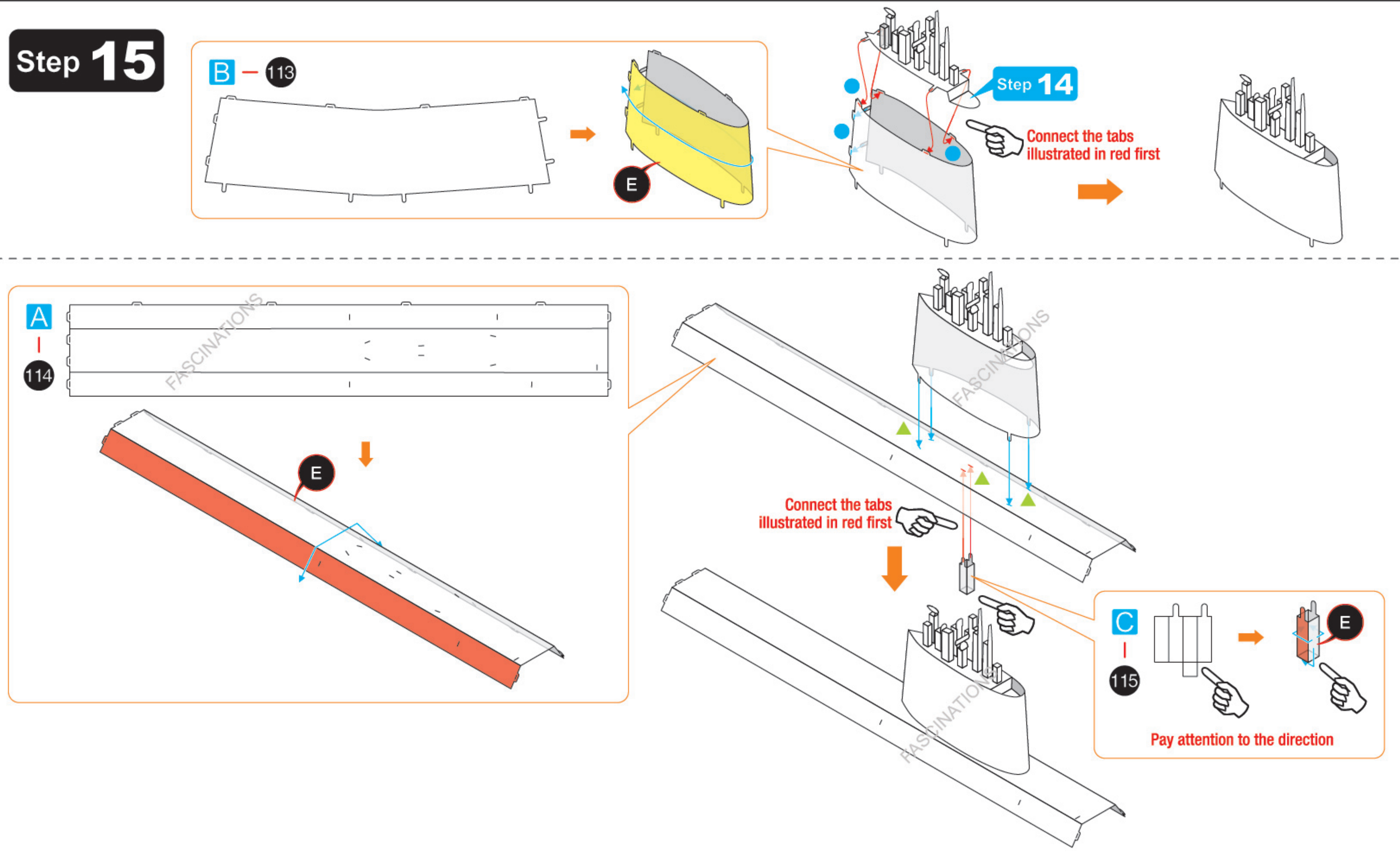
Step 13



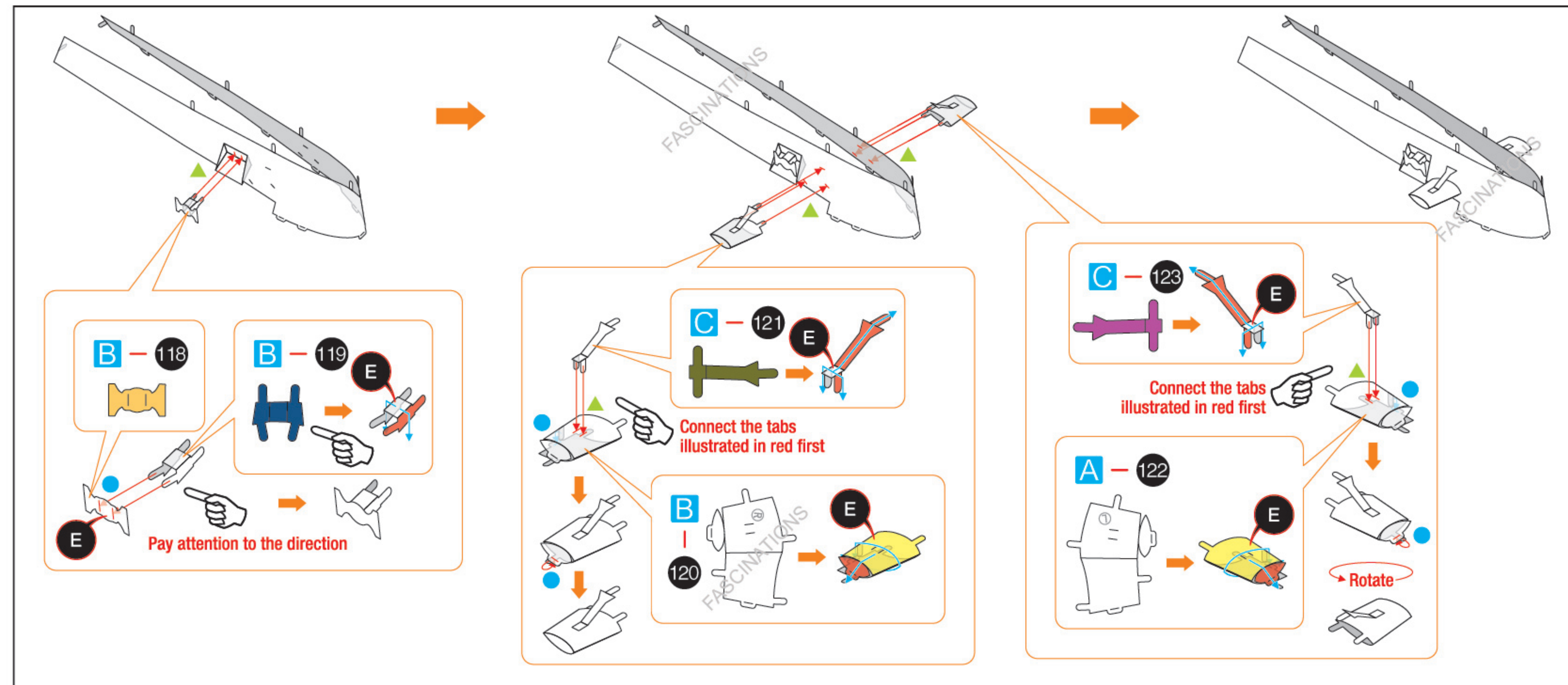
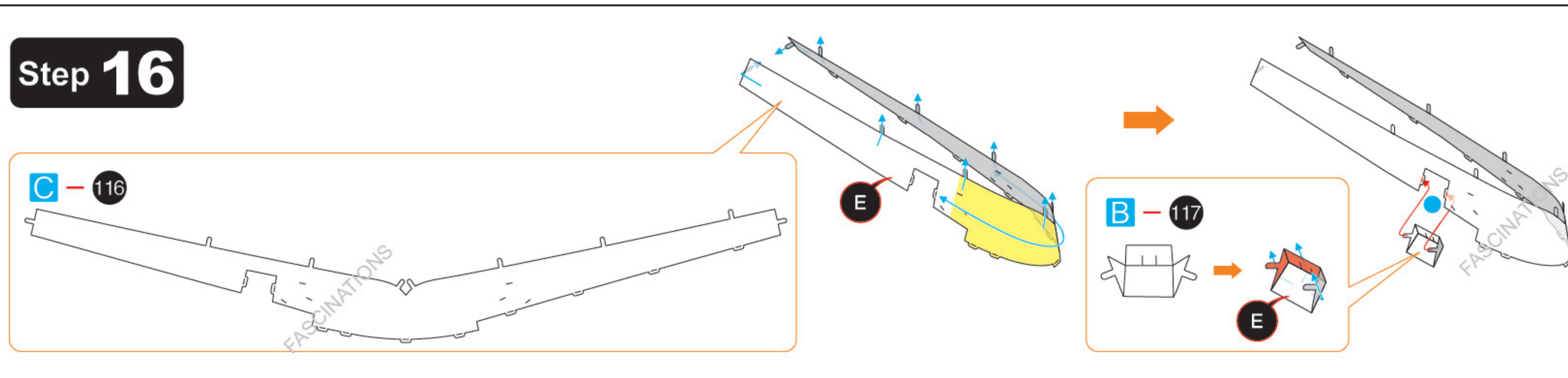
Step 14



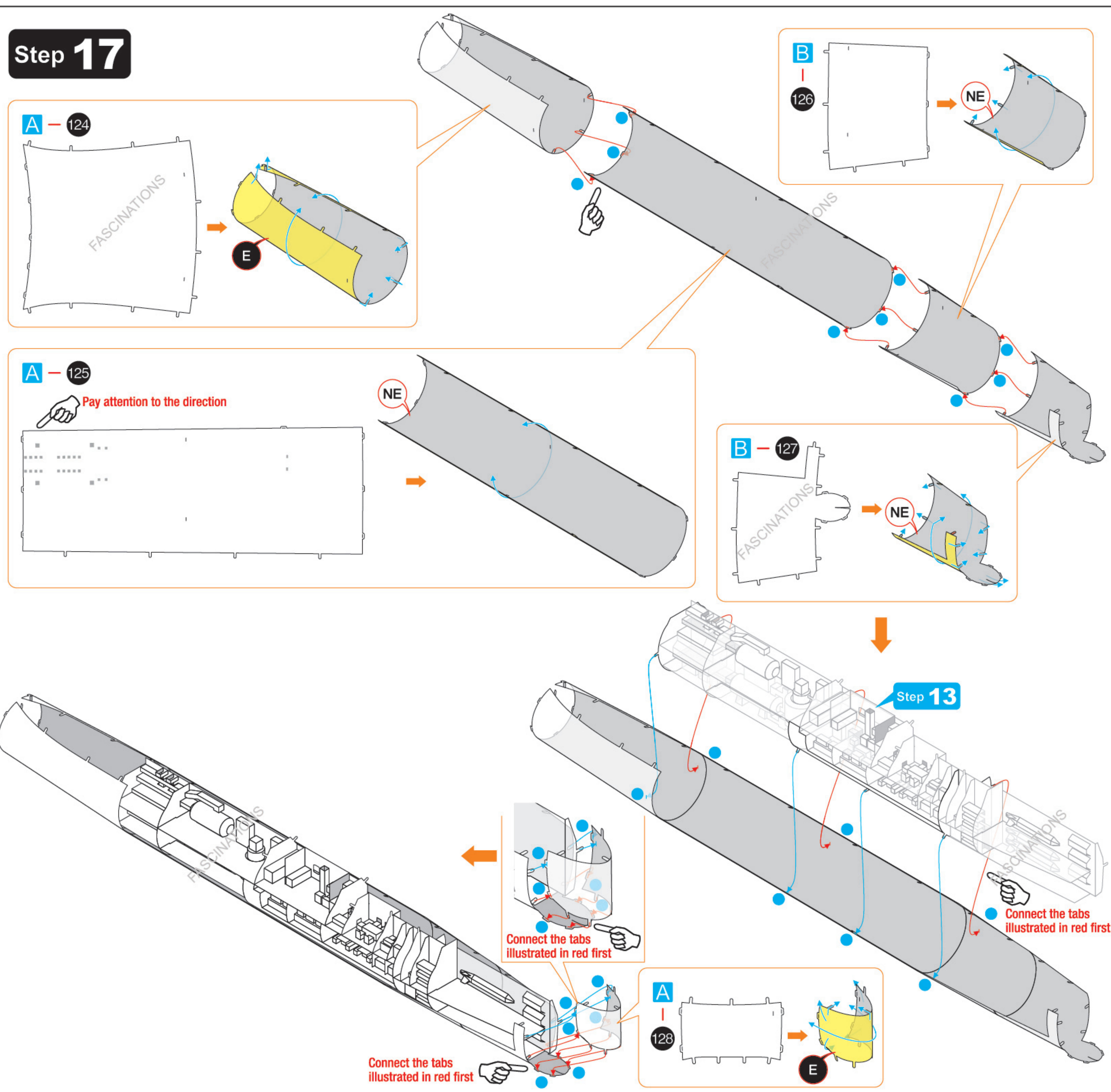
Step 15

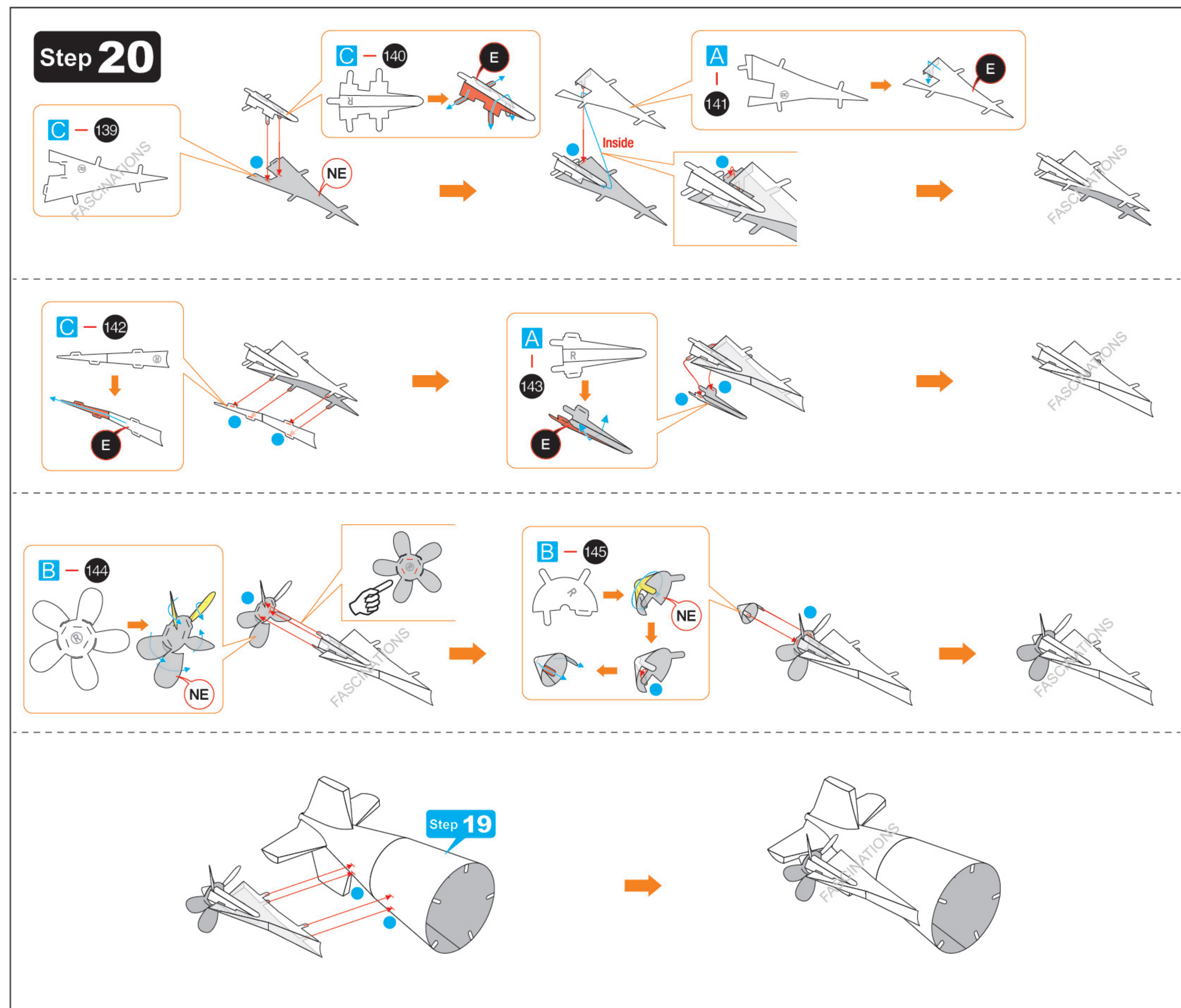
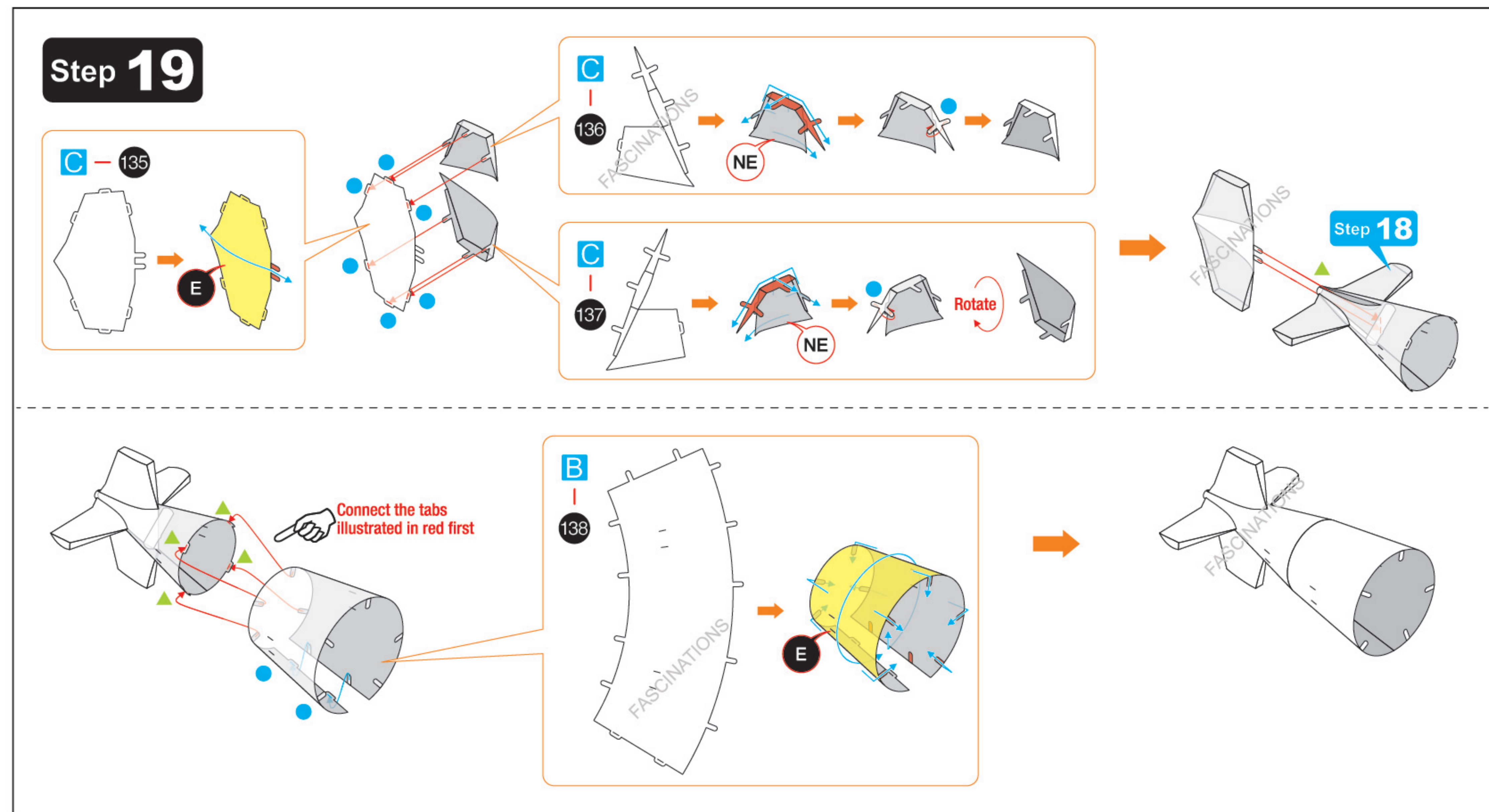
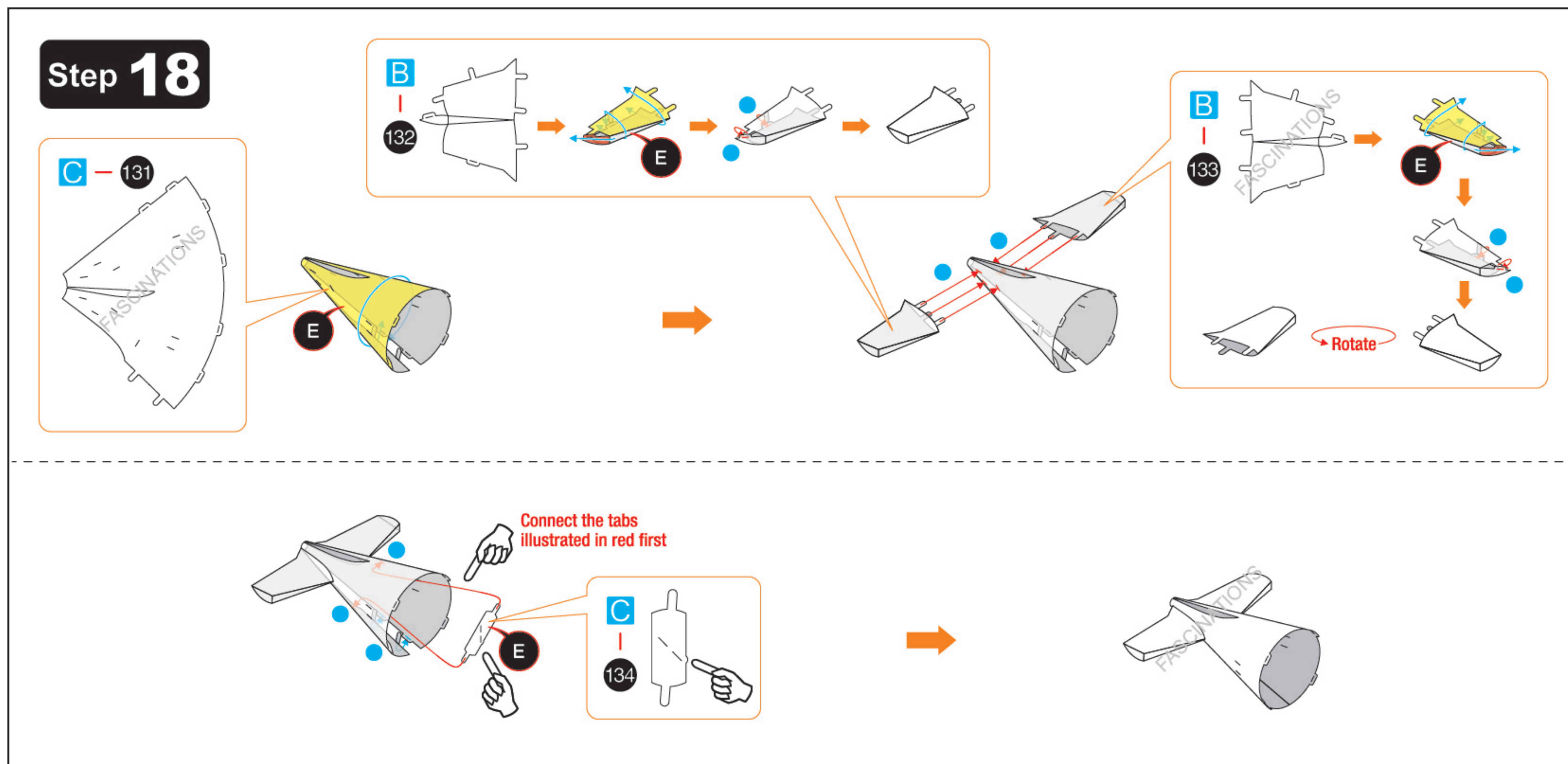
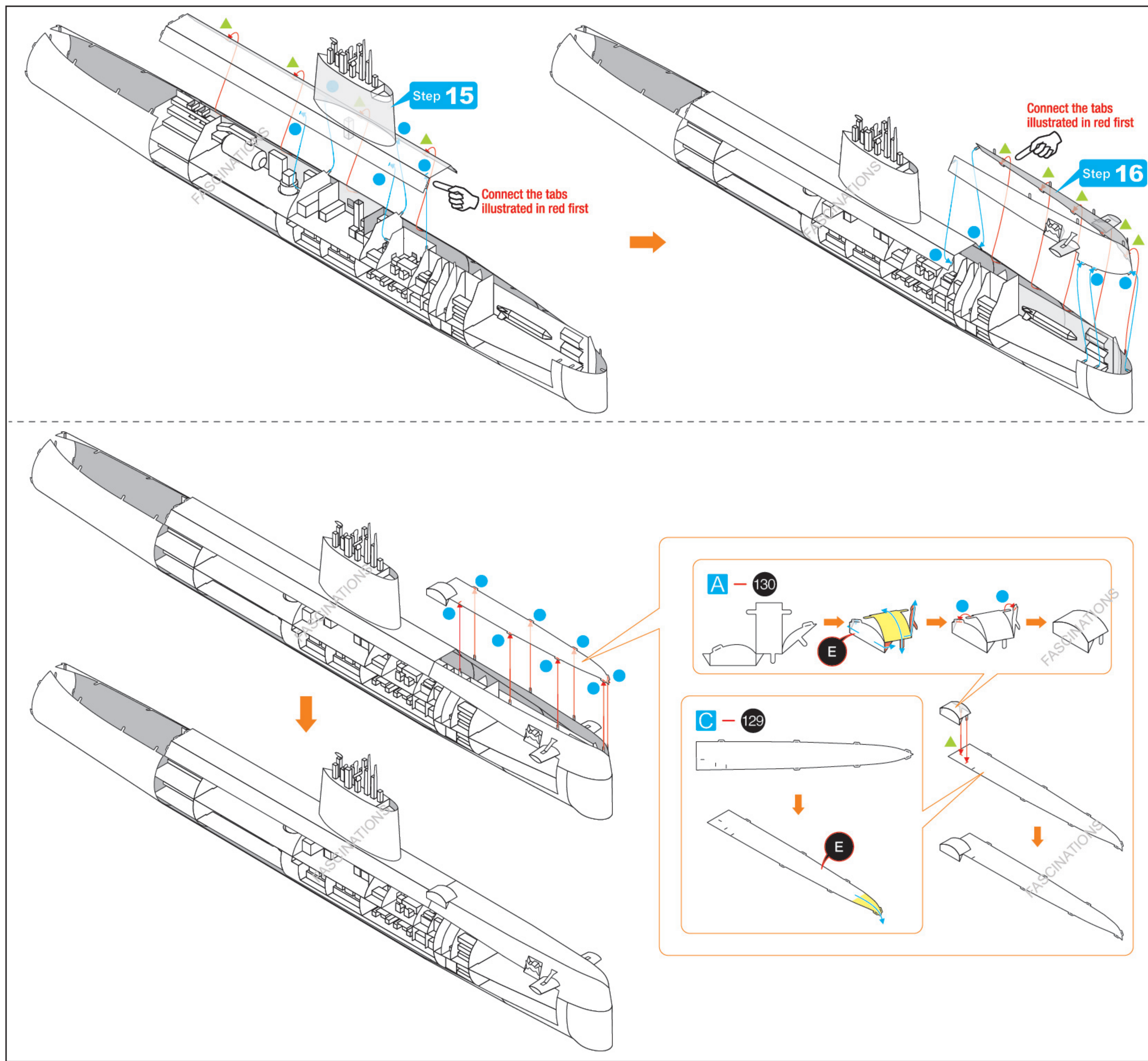


Step 16

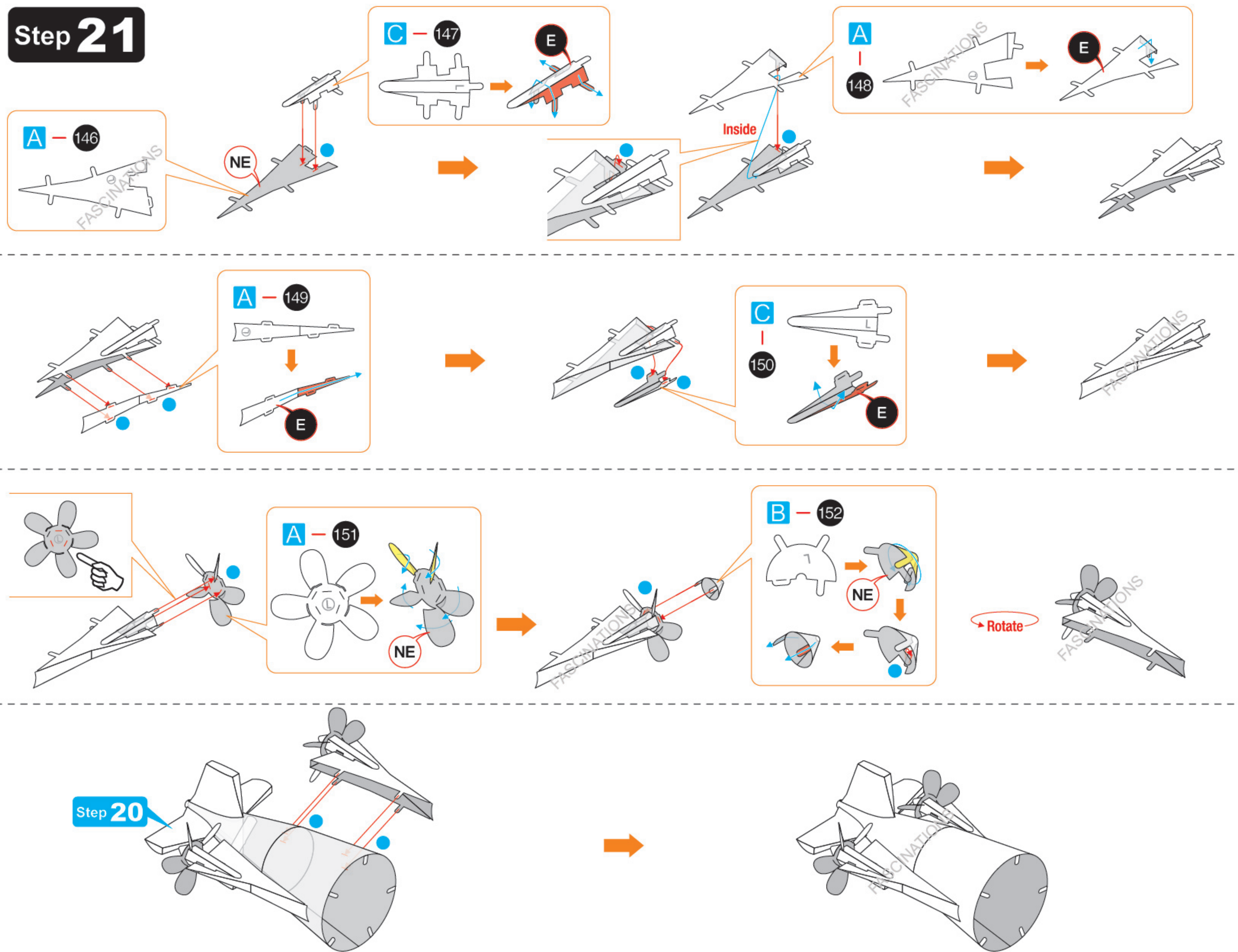


Step 17

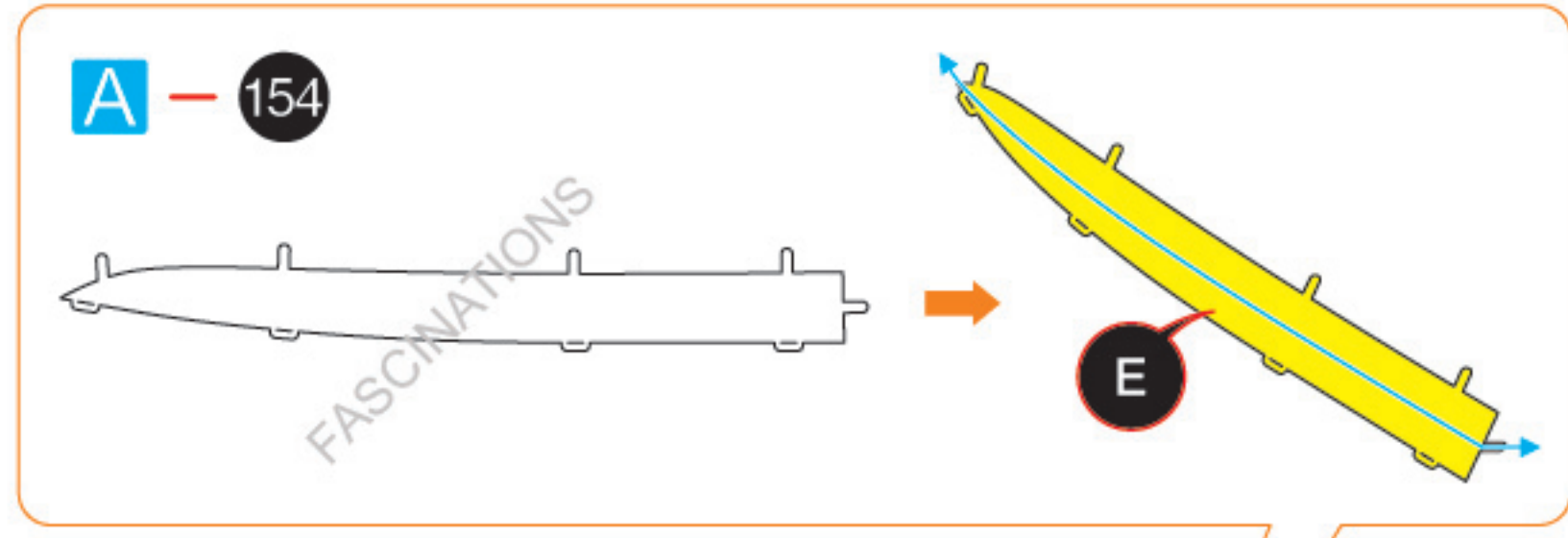
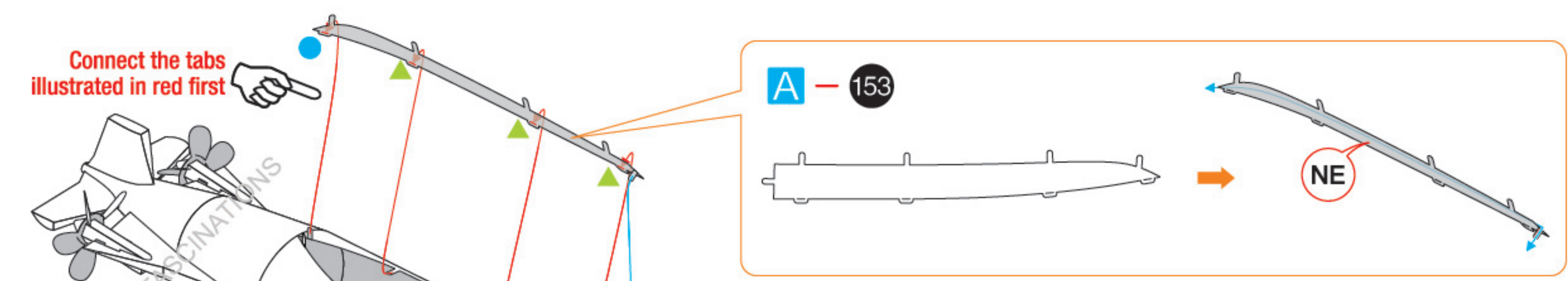
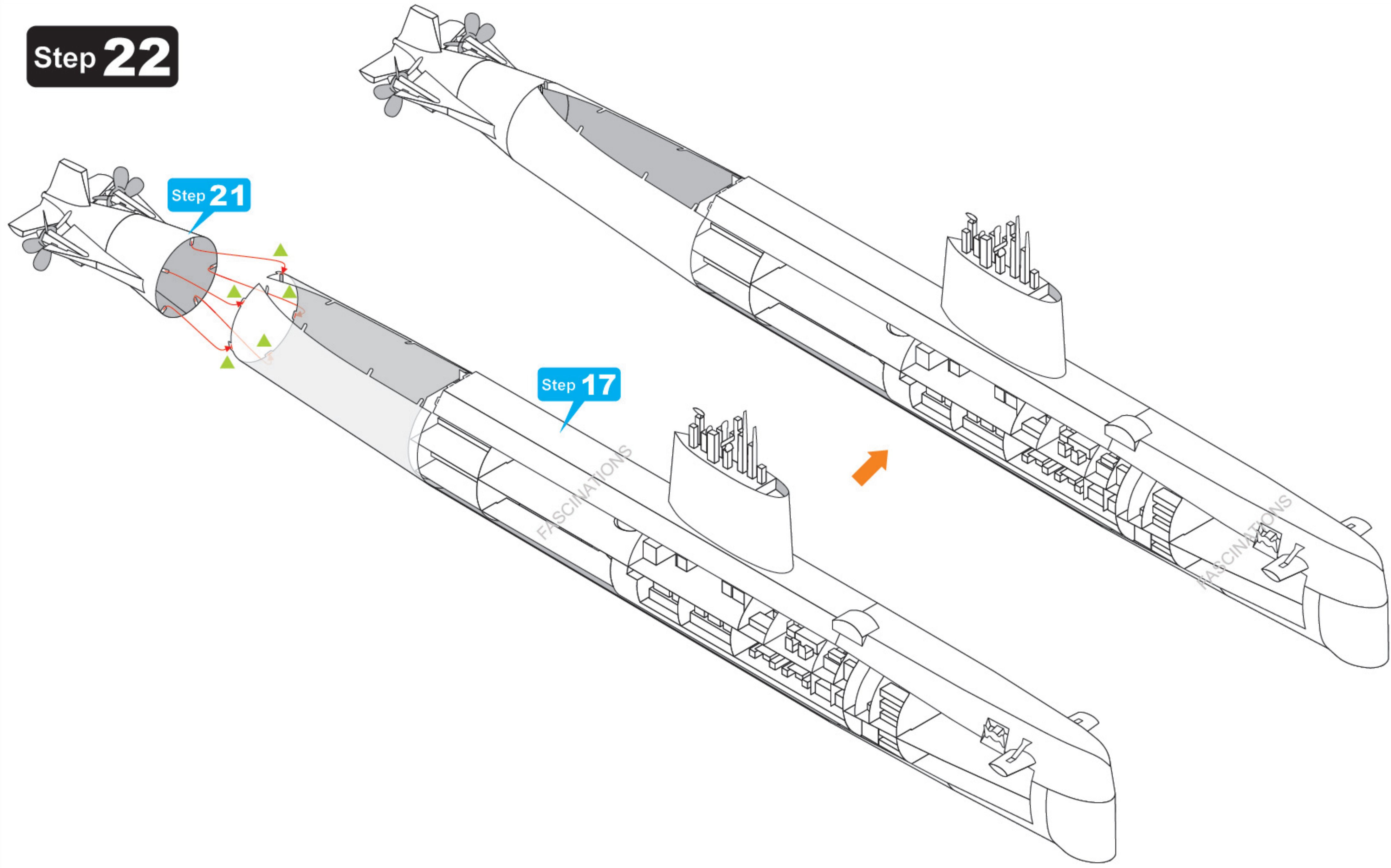




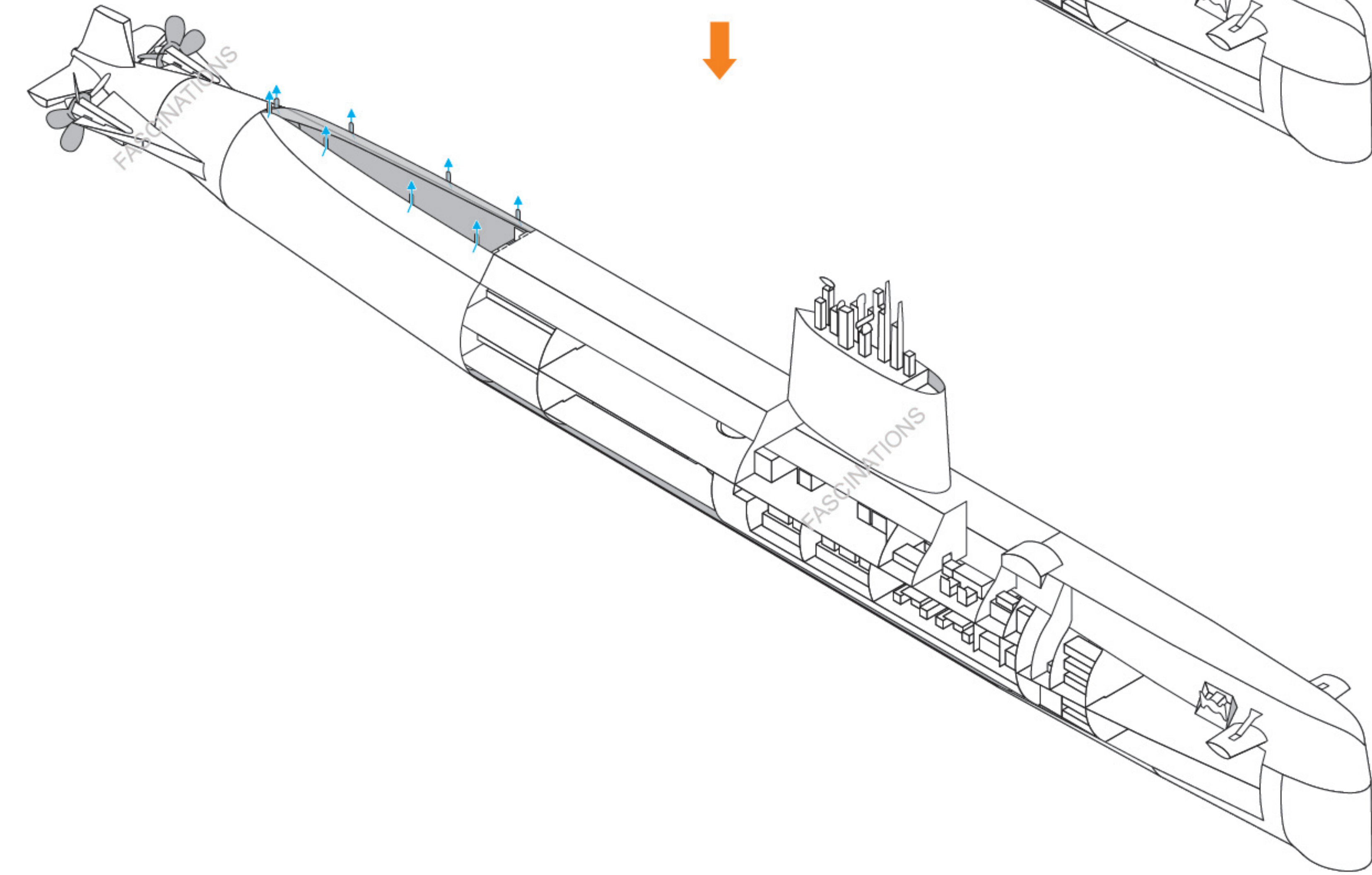
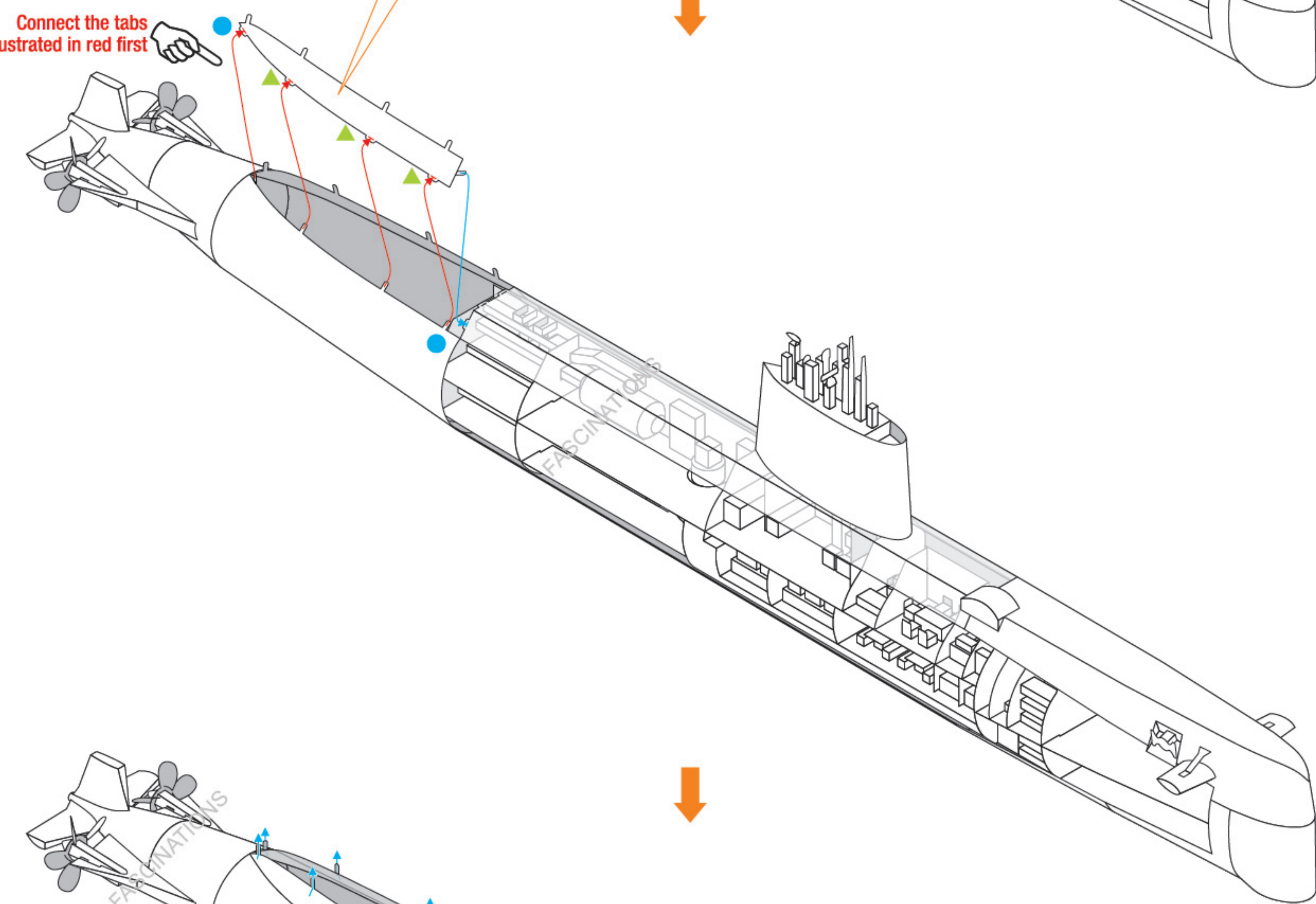
Step 21

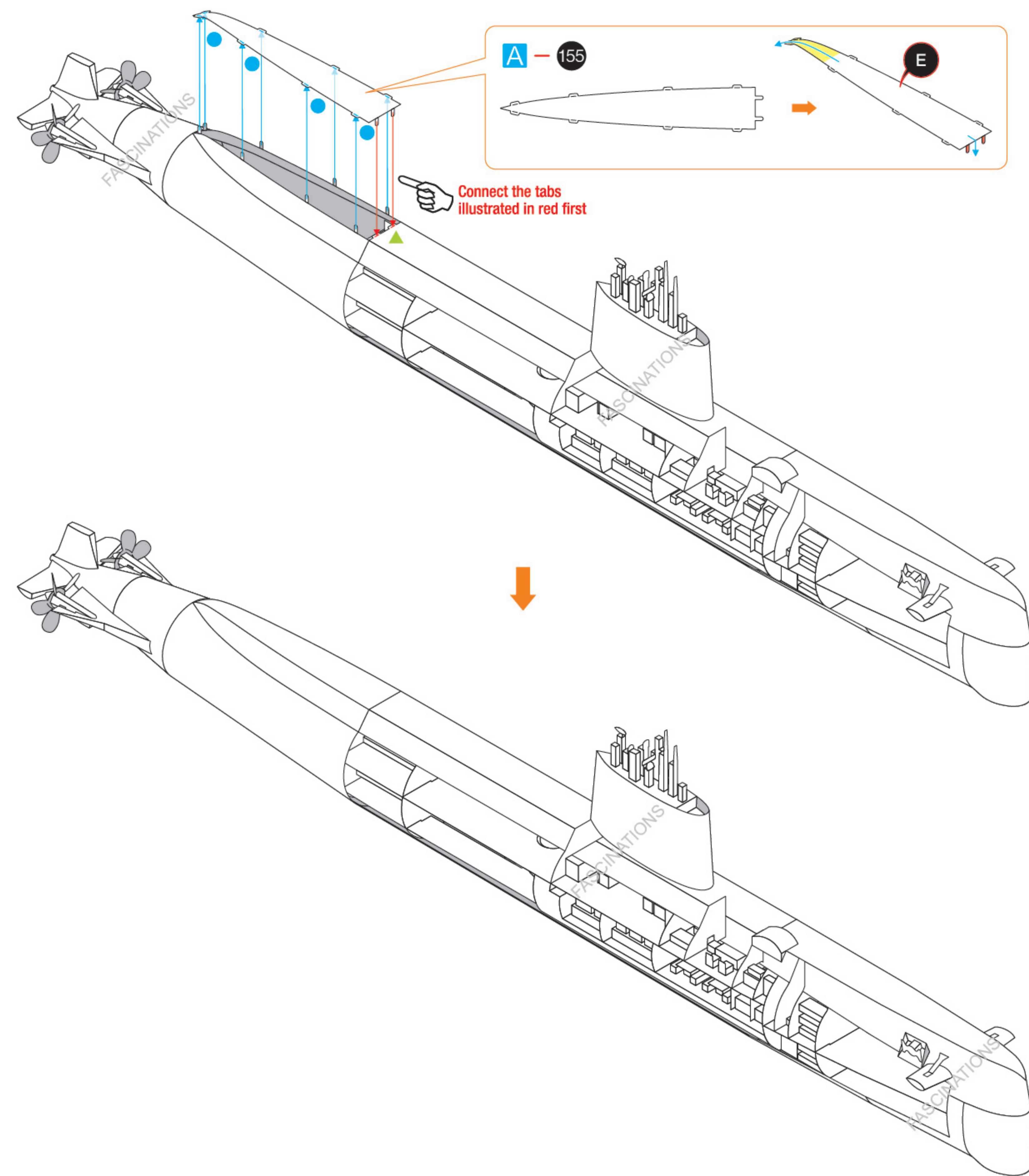


Step 22

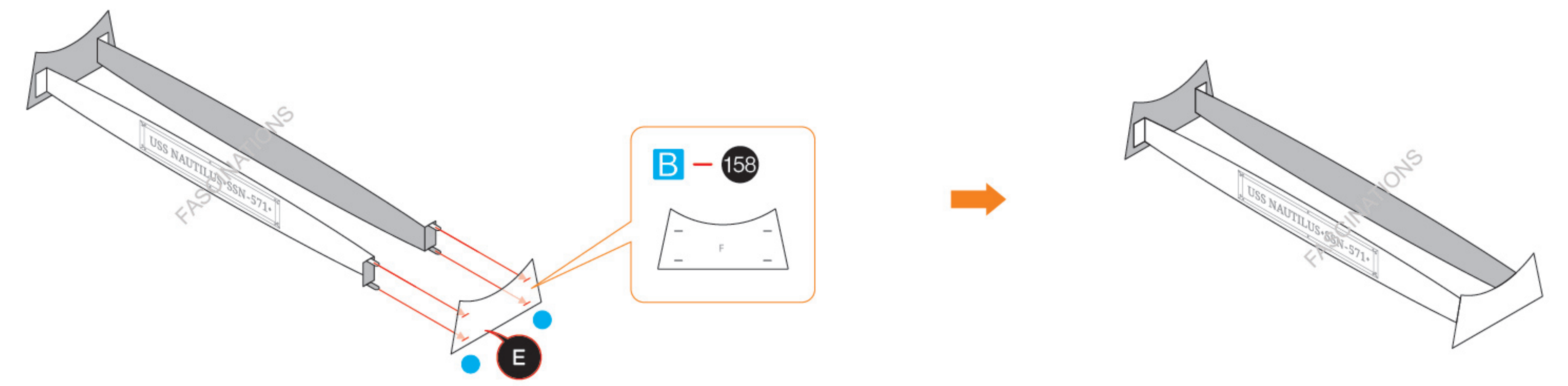
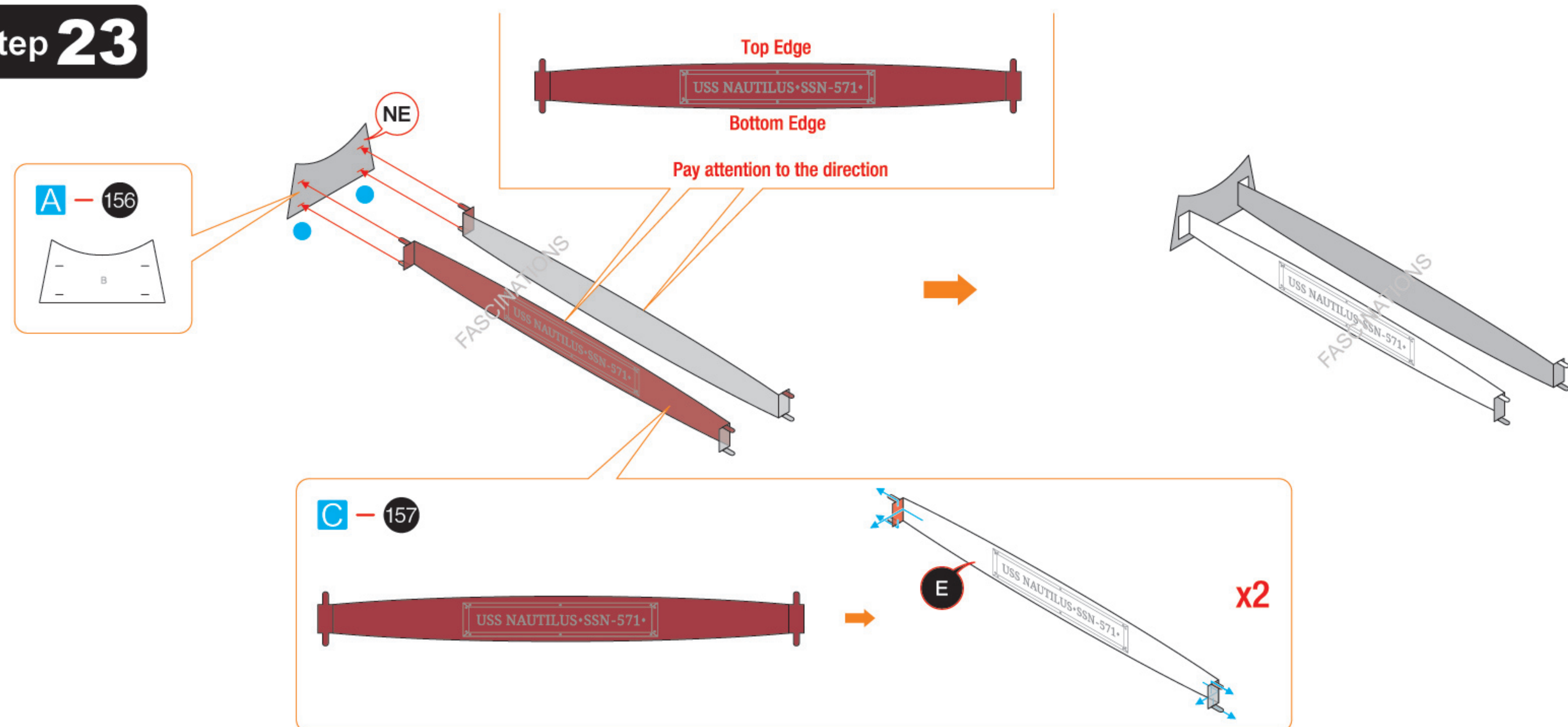


Connect the tabs illustrated in red first





Step 23



Step 24

