

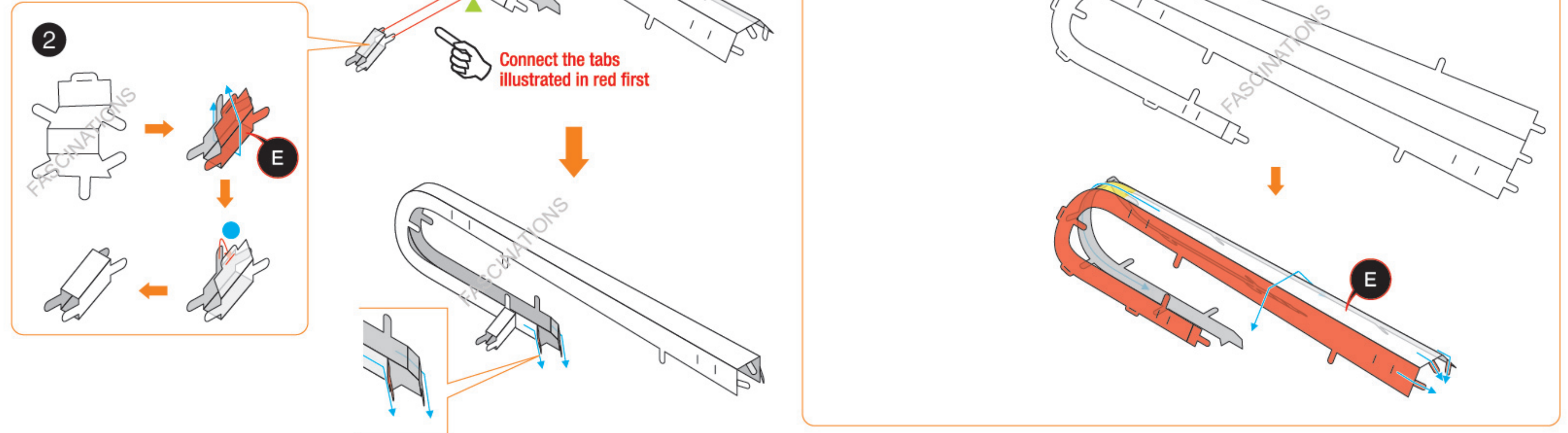
## TRUMPET ME1036

It is highly recommended that you visit [www.metalearth.com/360/ME1036](http://www.metalearth.com/360/ME1036) to see the completed model before assembling your own

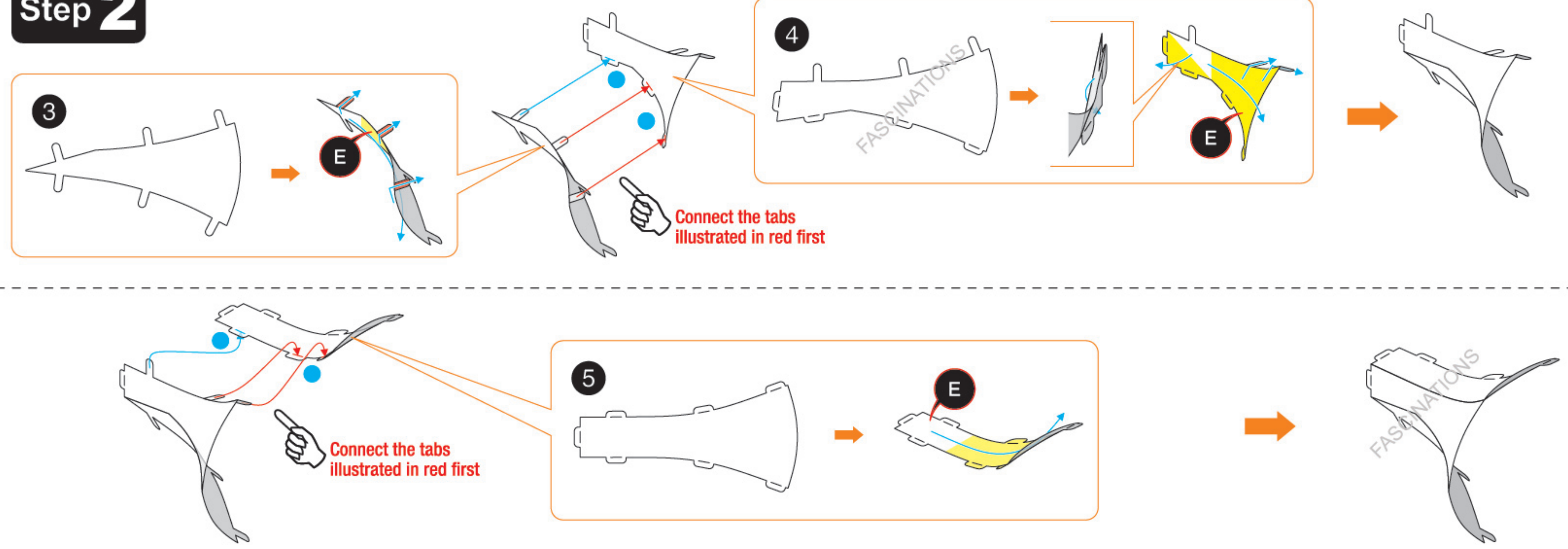


### ASSEMBLY FLOW CHART

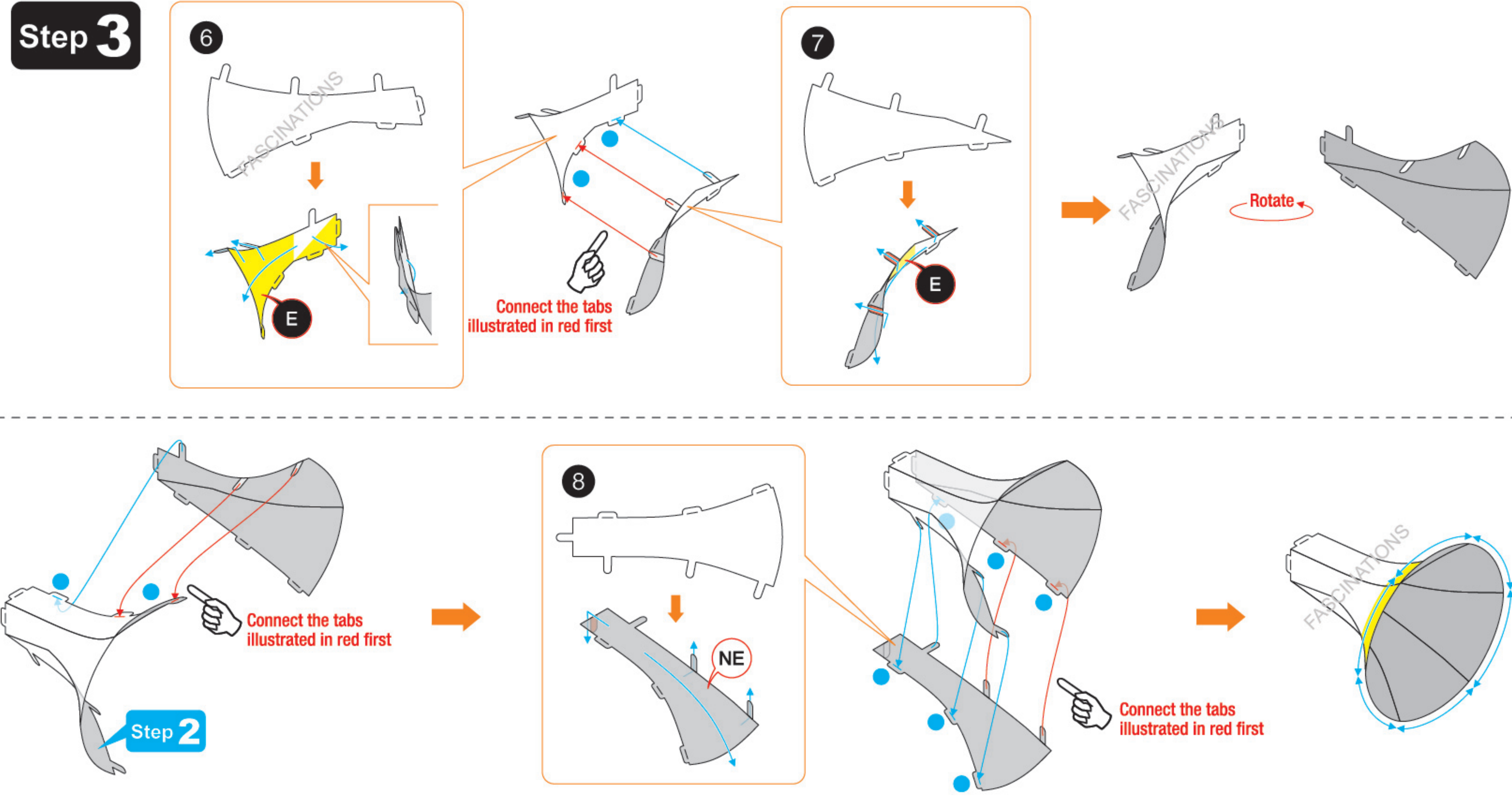
#### Step 1



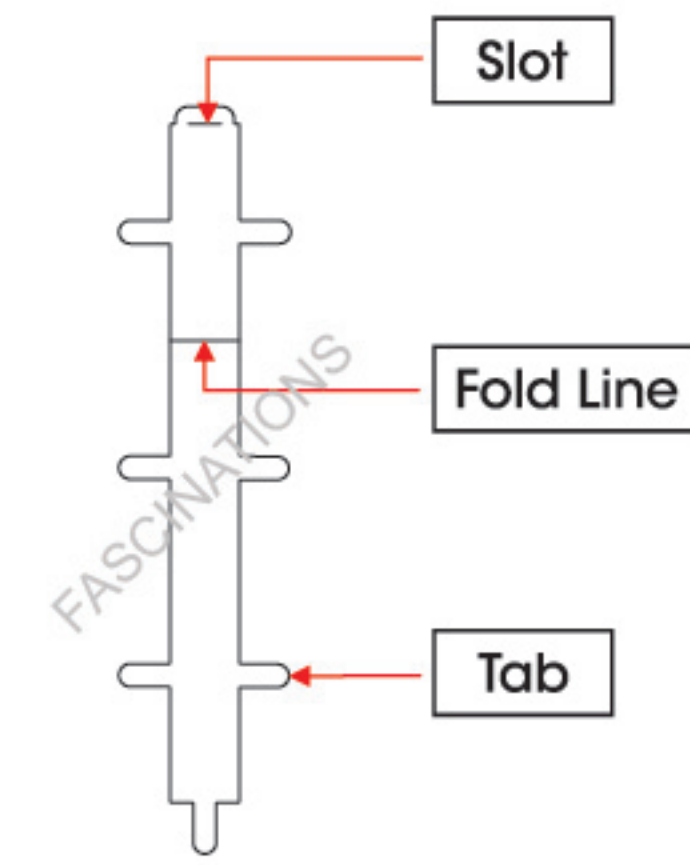
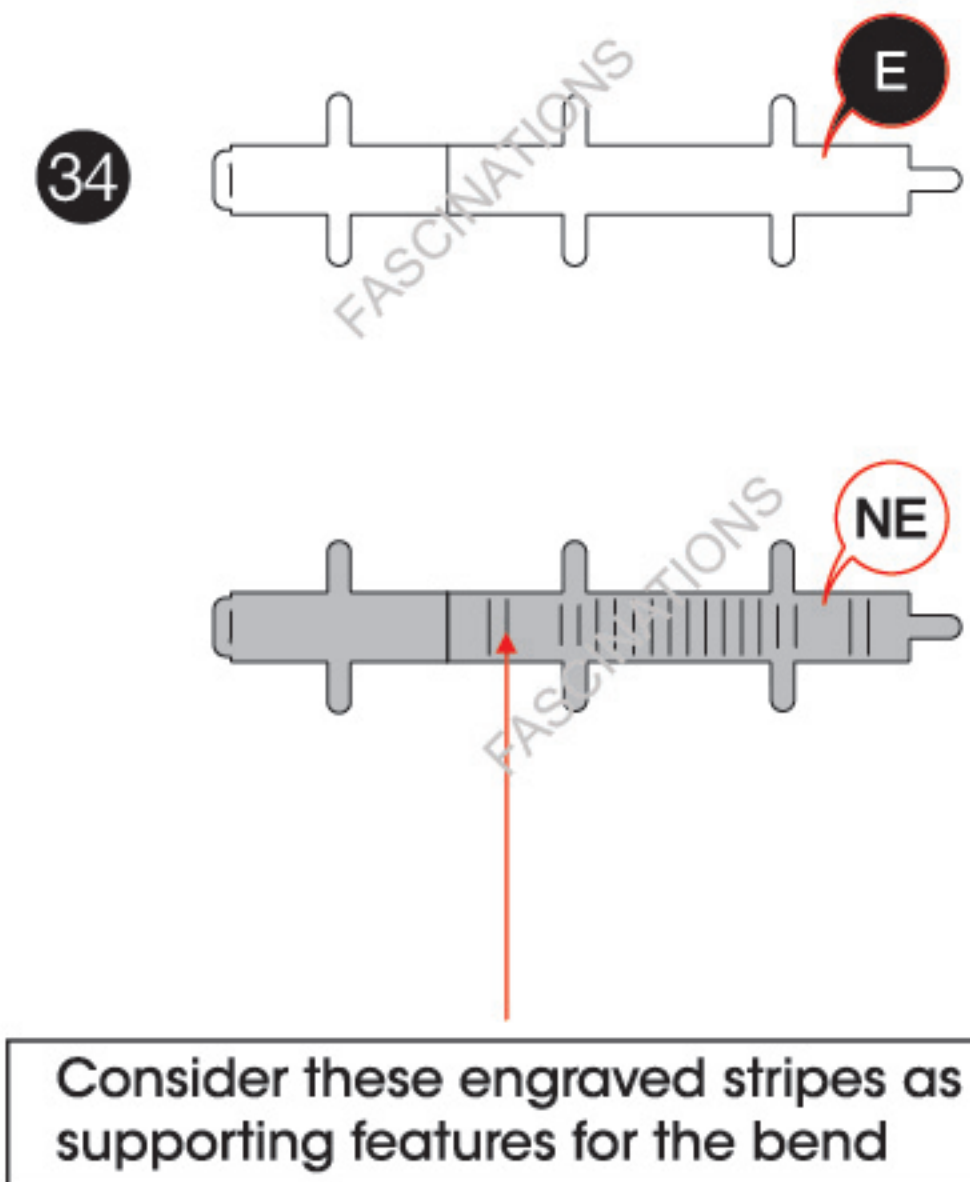
#### Step 2



#### Step 3



### TO CREATE THE BEST CONNECTIONS

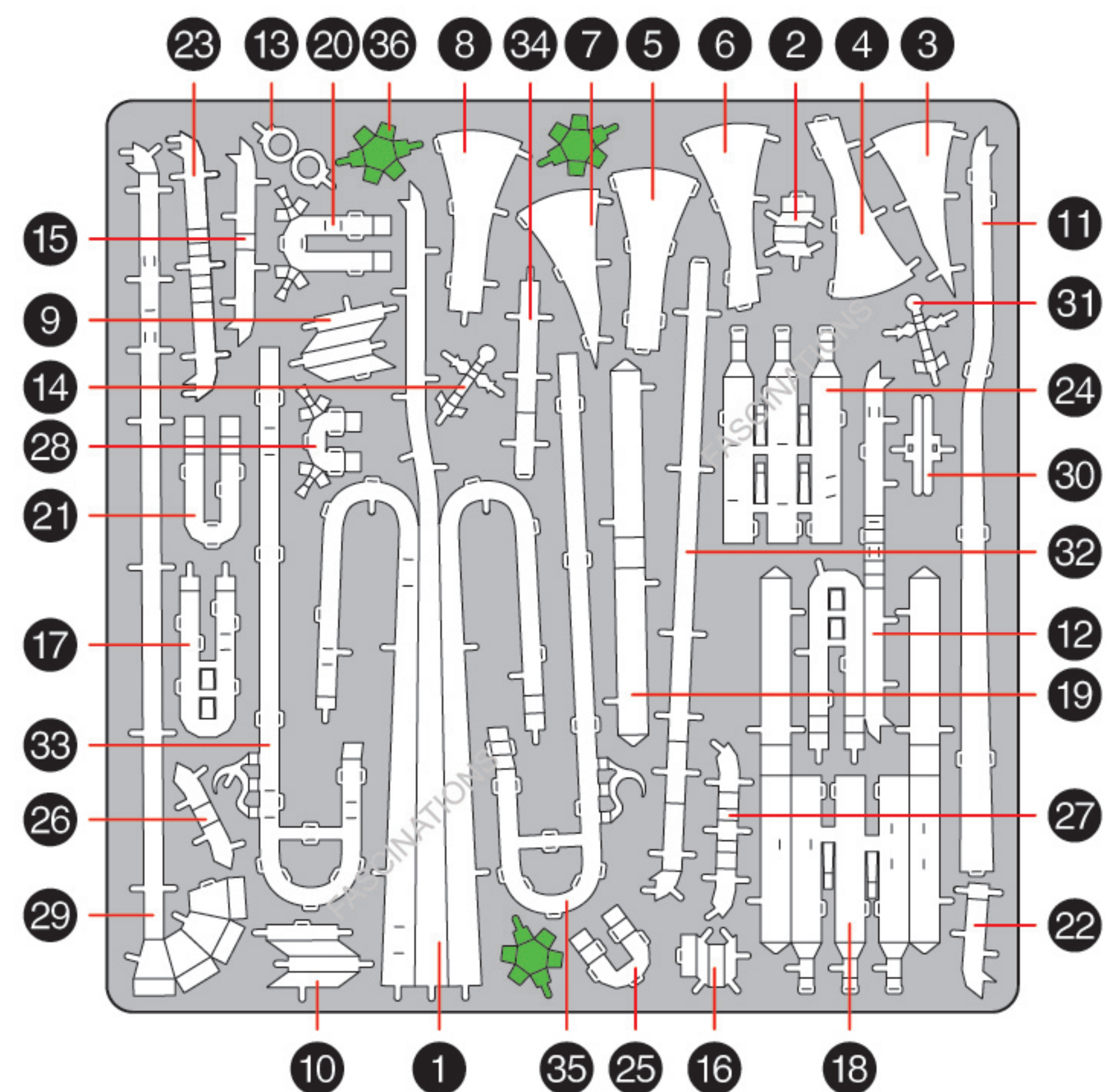


- Legends:**
- E** Engraved side
  - NE** Non - engraved side
  - Attention point
  - Insert tab and bend 90 degrees
  - Insert tab and twist 90 degrees
- Assembly tip:**  
If needed, slightly twist tabs to hold parts together then untwist and bend them down for a nice finish.
- Yellow areas should be curled
  - Red areas should be folded

- Recommended tools:**
- Wire cutters: helpful for taking parts from the metal sheets.
  - Tweezers or needle nose pliers: helpful for folding parts, bending and twisting tabs.
- 
- 
- 

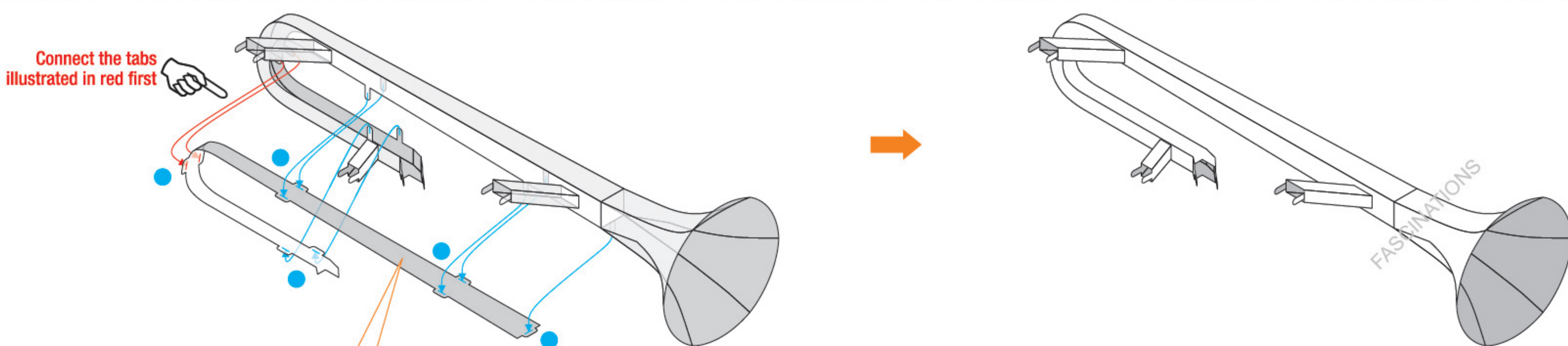
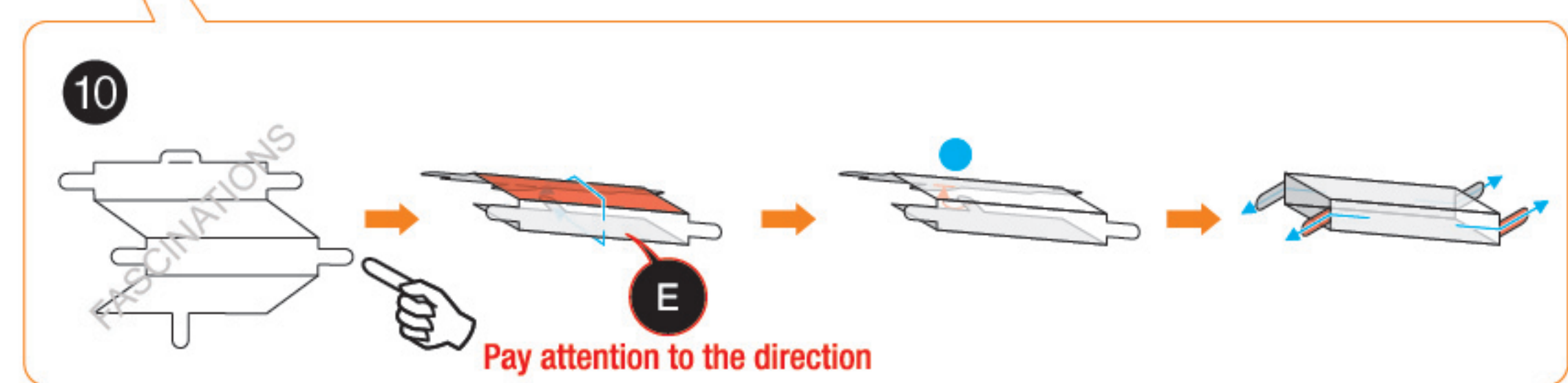
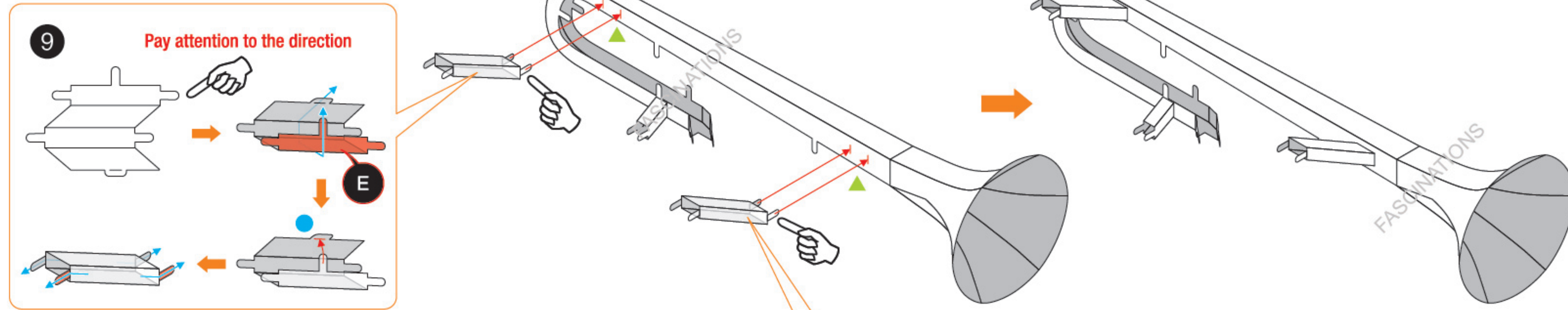
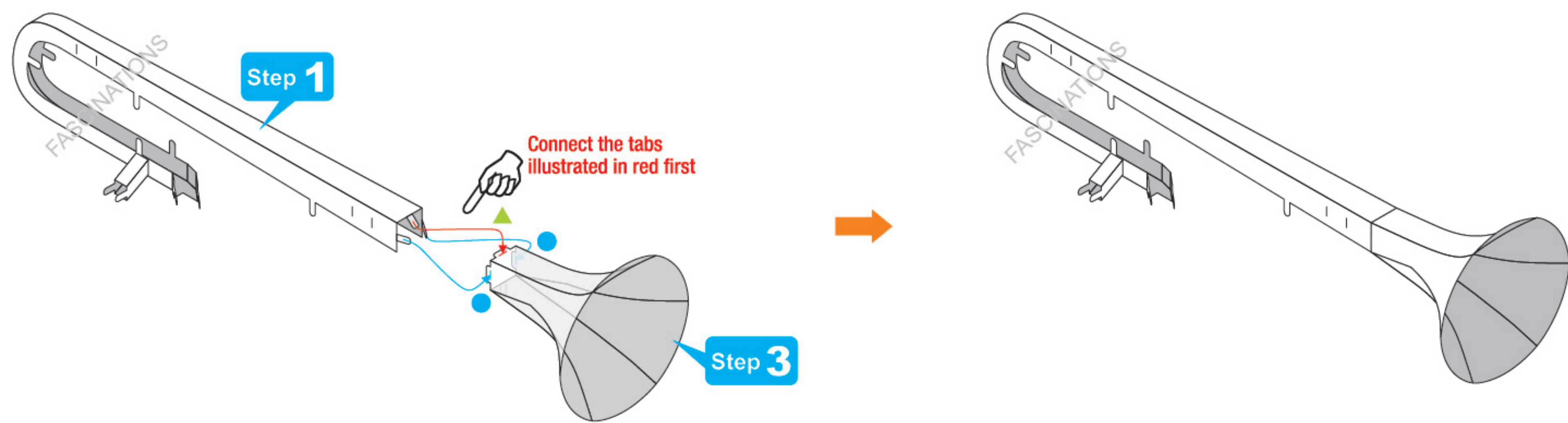
### METAL SHEETS

Parts with same color are duplicates

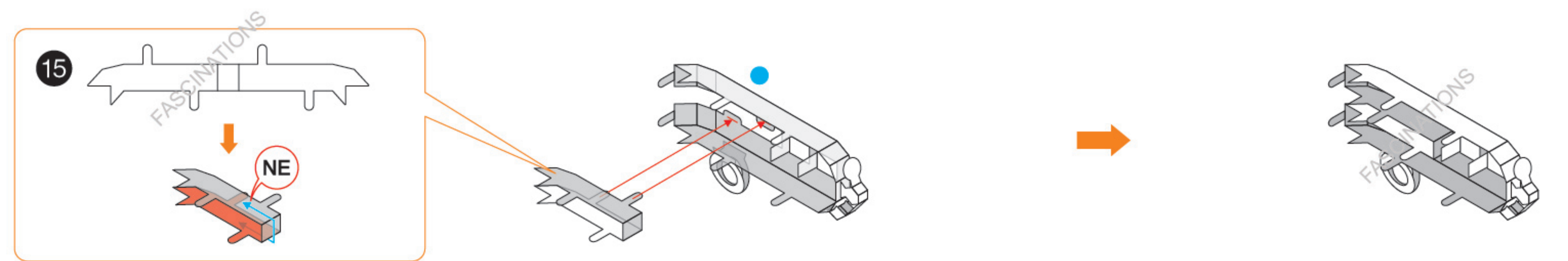
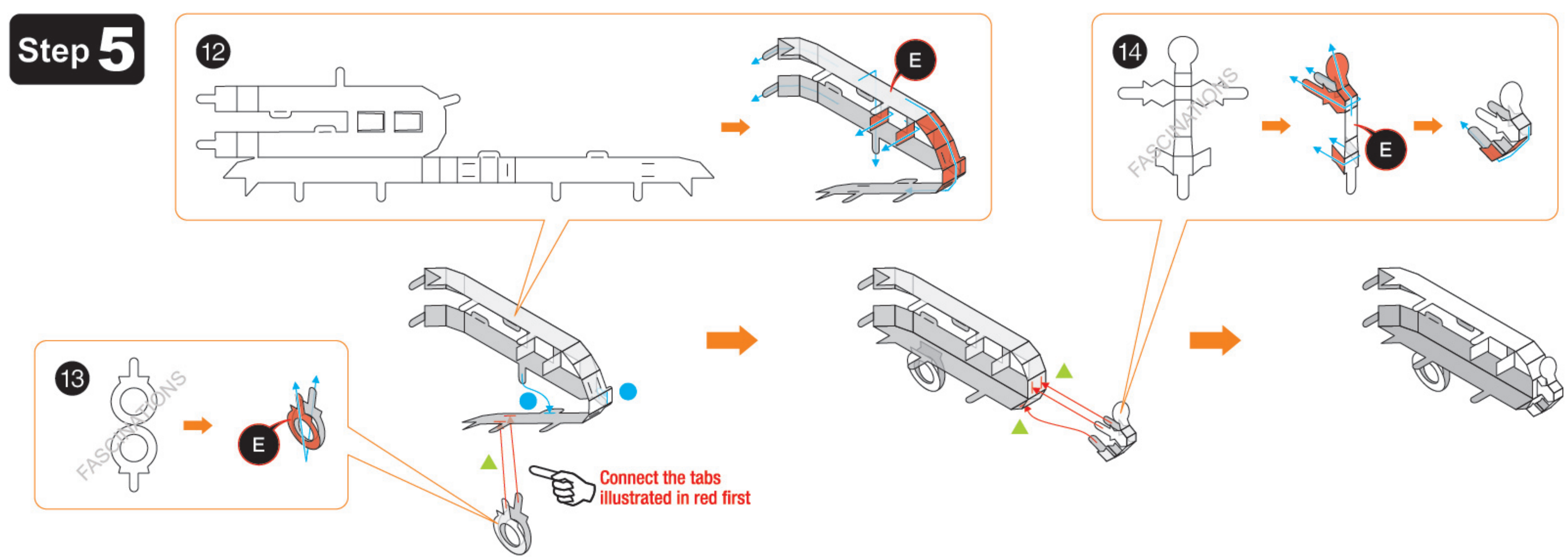


In order to avoid possible injury from sharp edges, please carefully discard the metal sheets after parts have been removed.

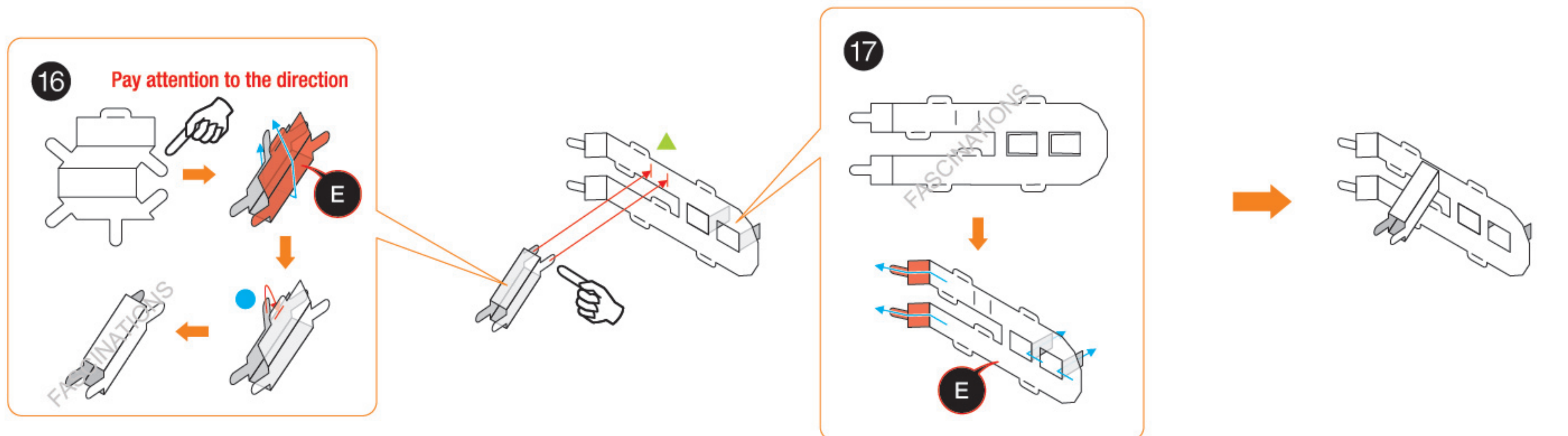
Step 4



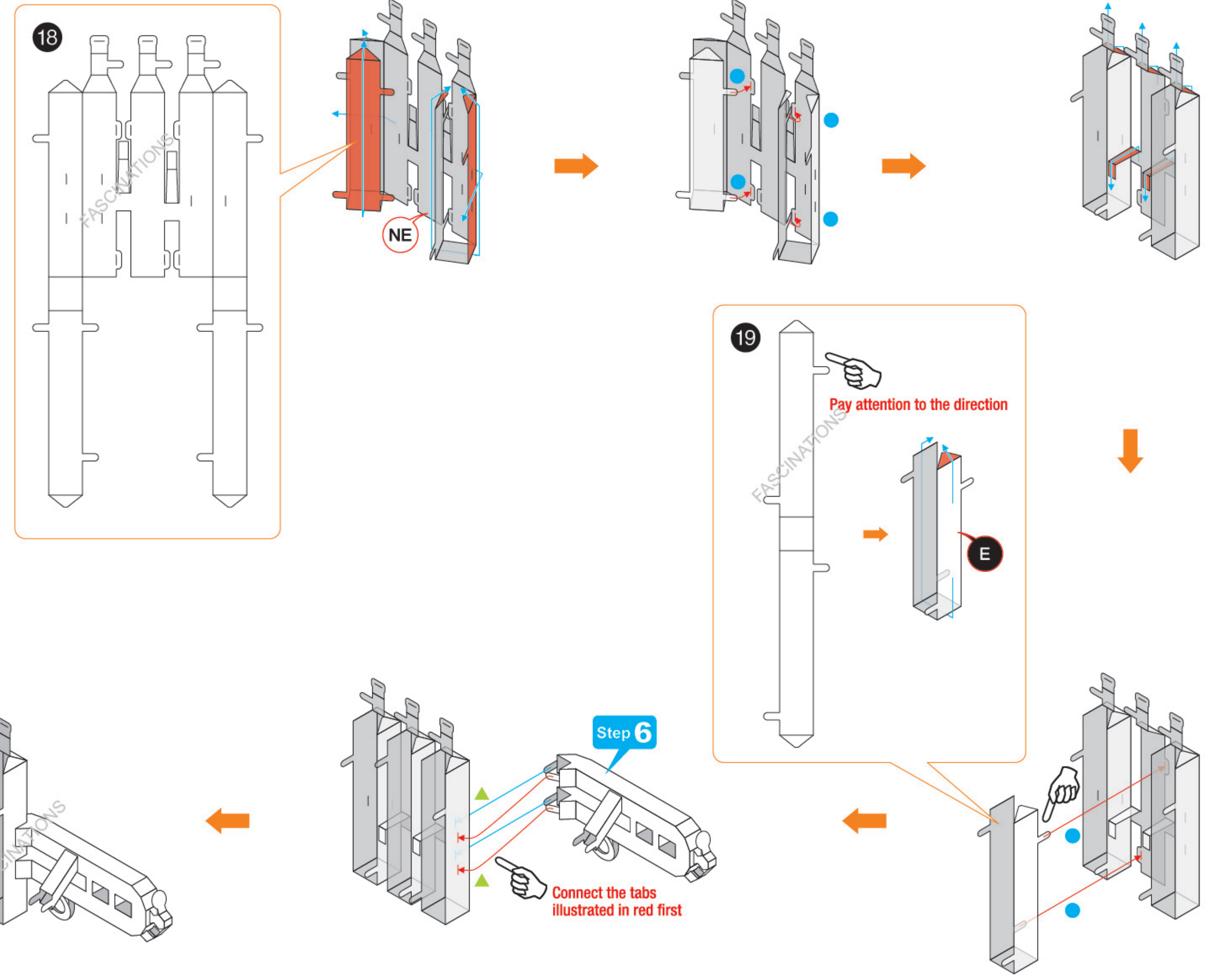
Step 5



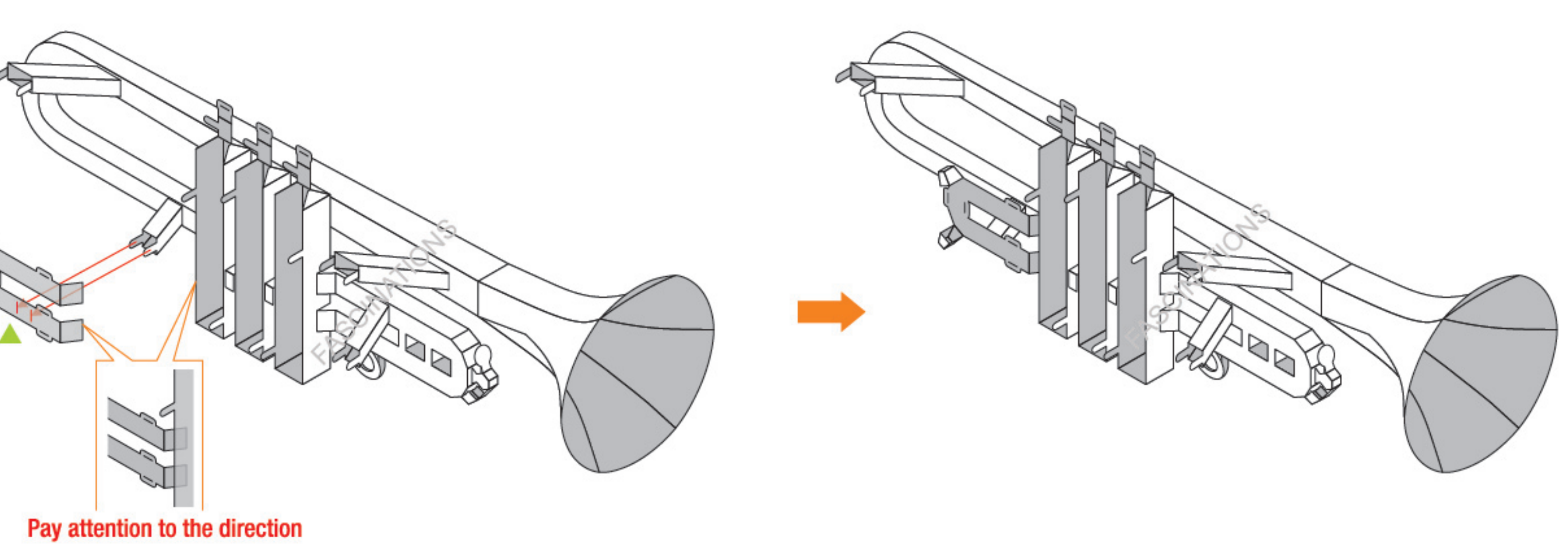
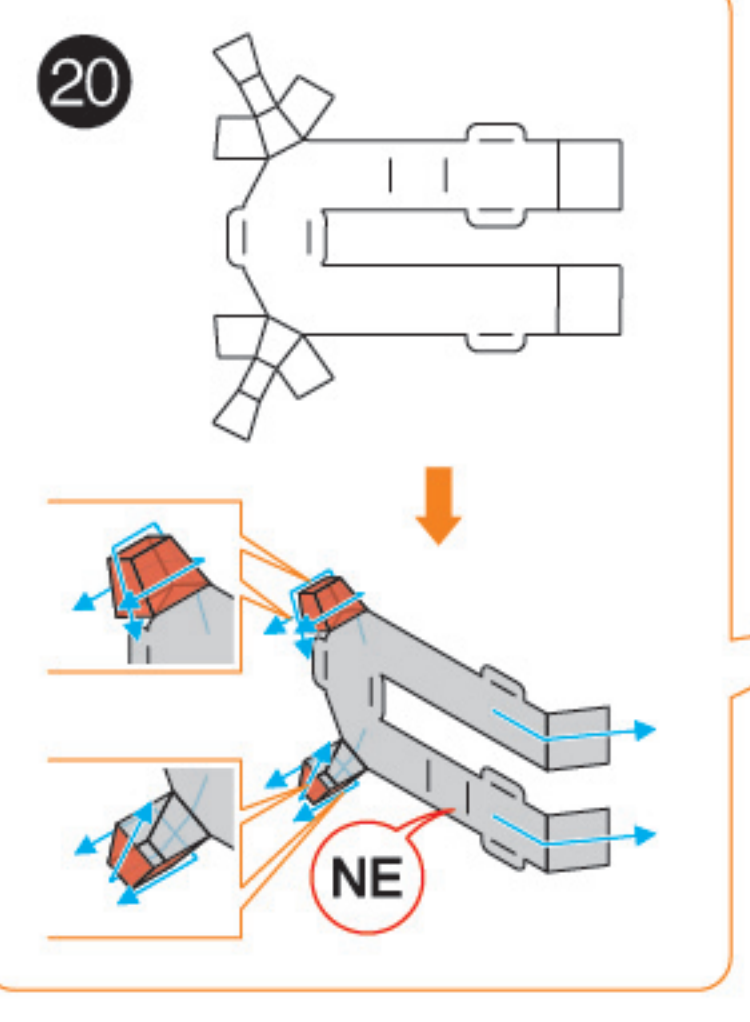
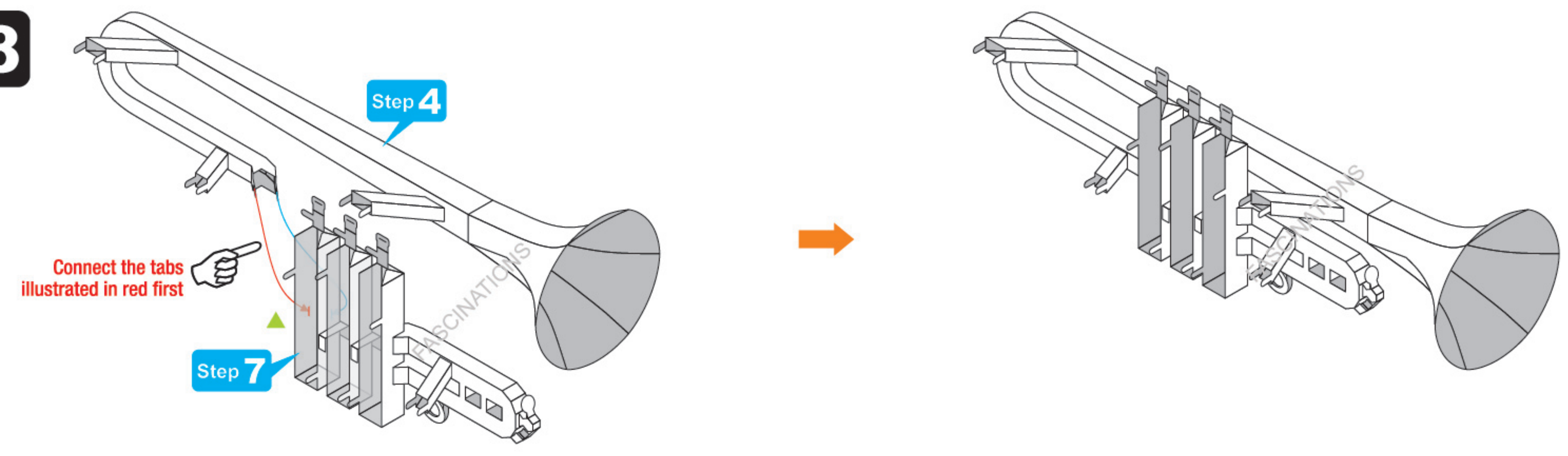
Step 6



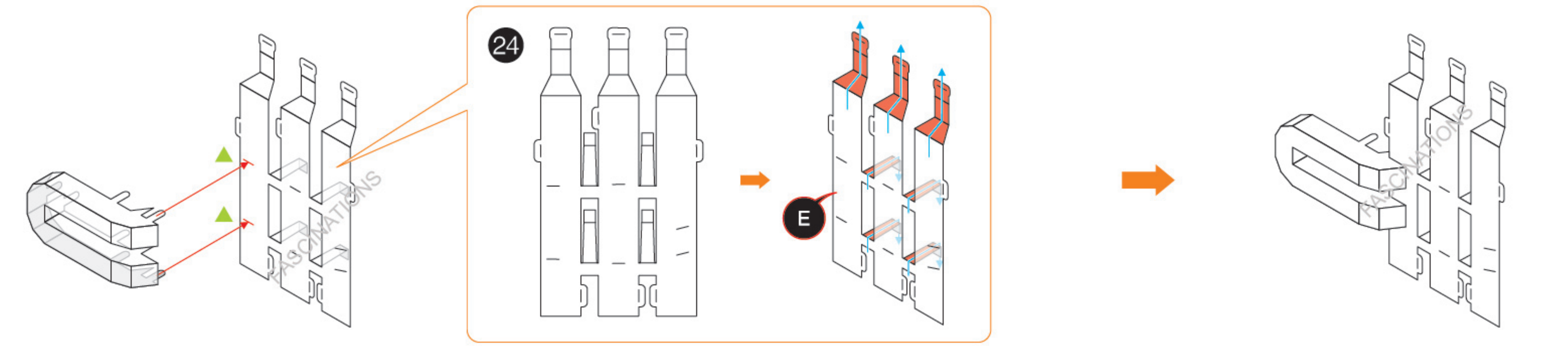
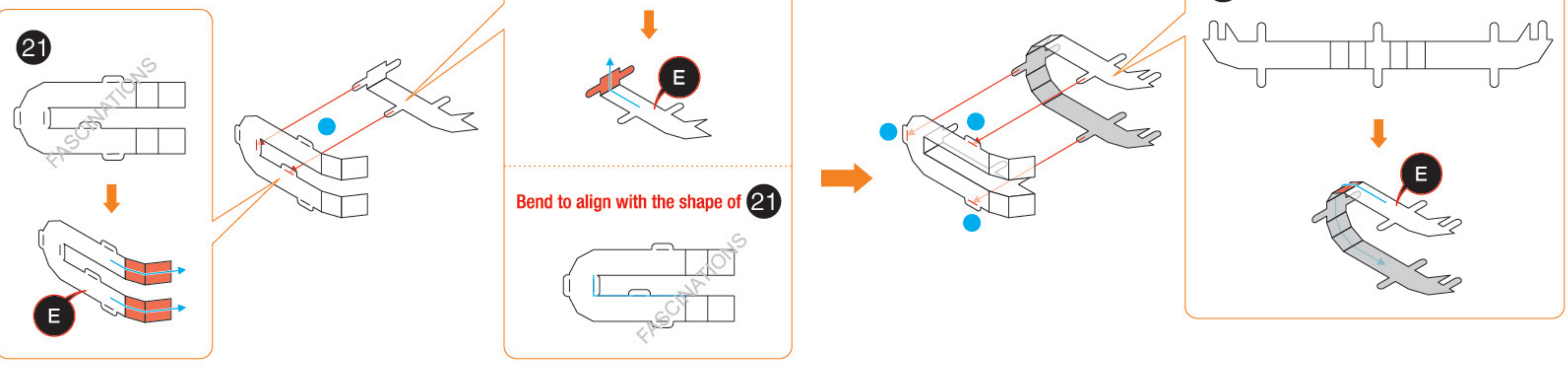
Step 7



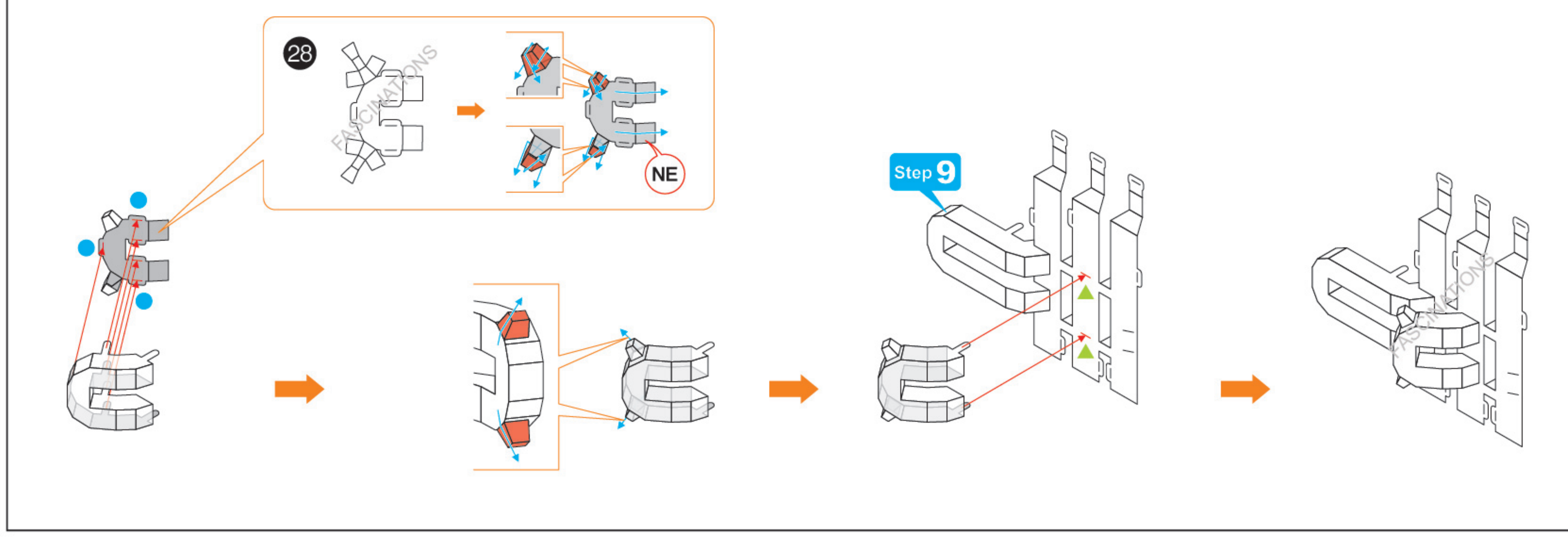
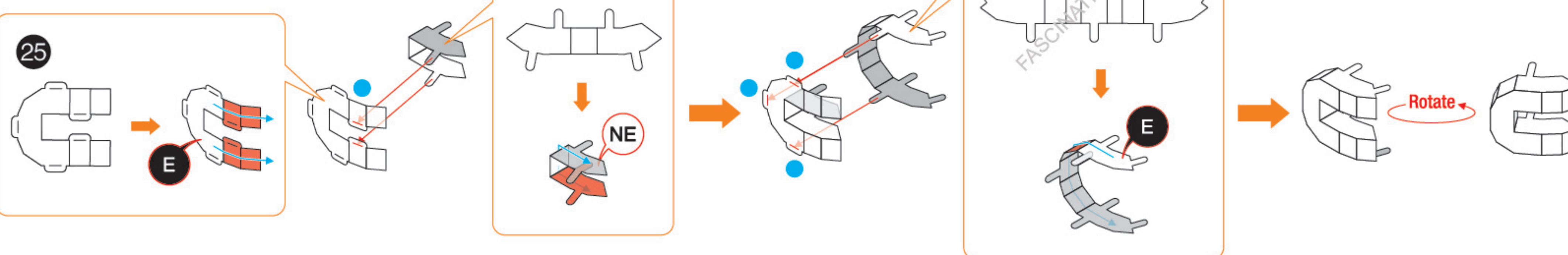
Step 8



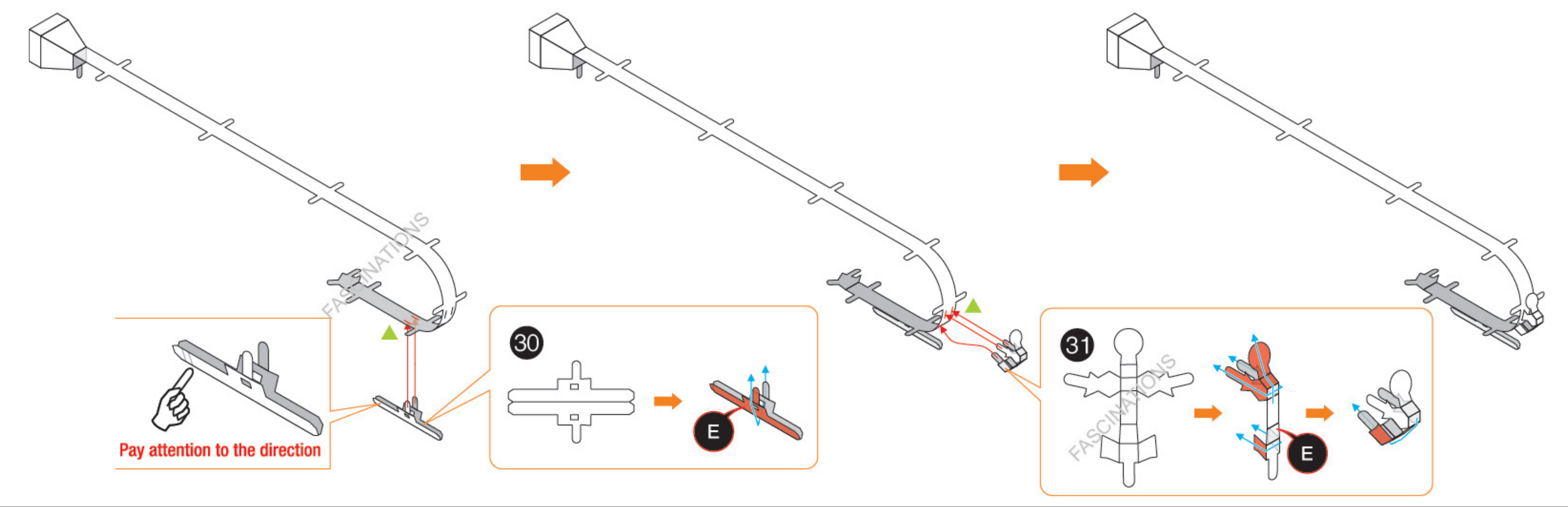
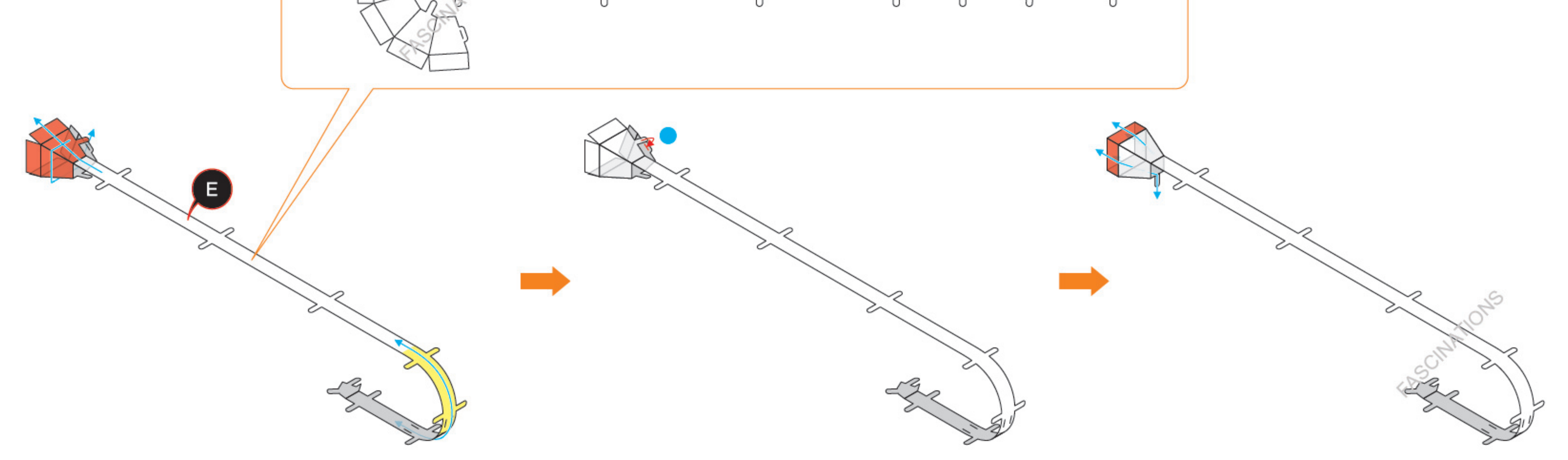
Step 9



Step 10



Step 11



Step 12

