

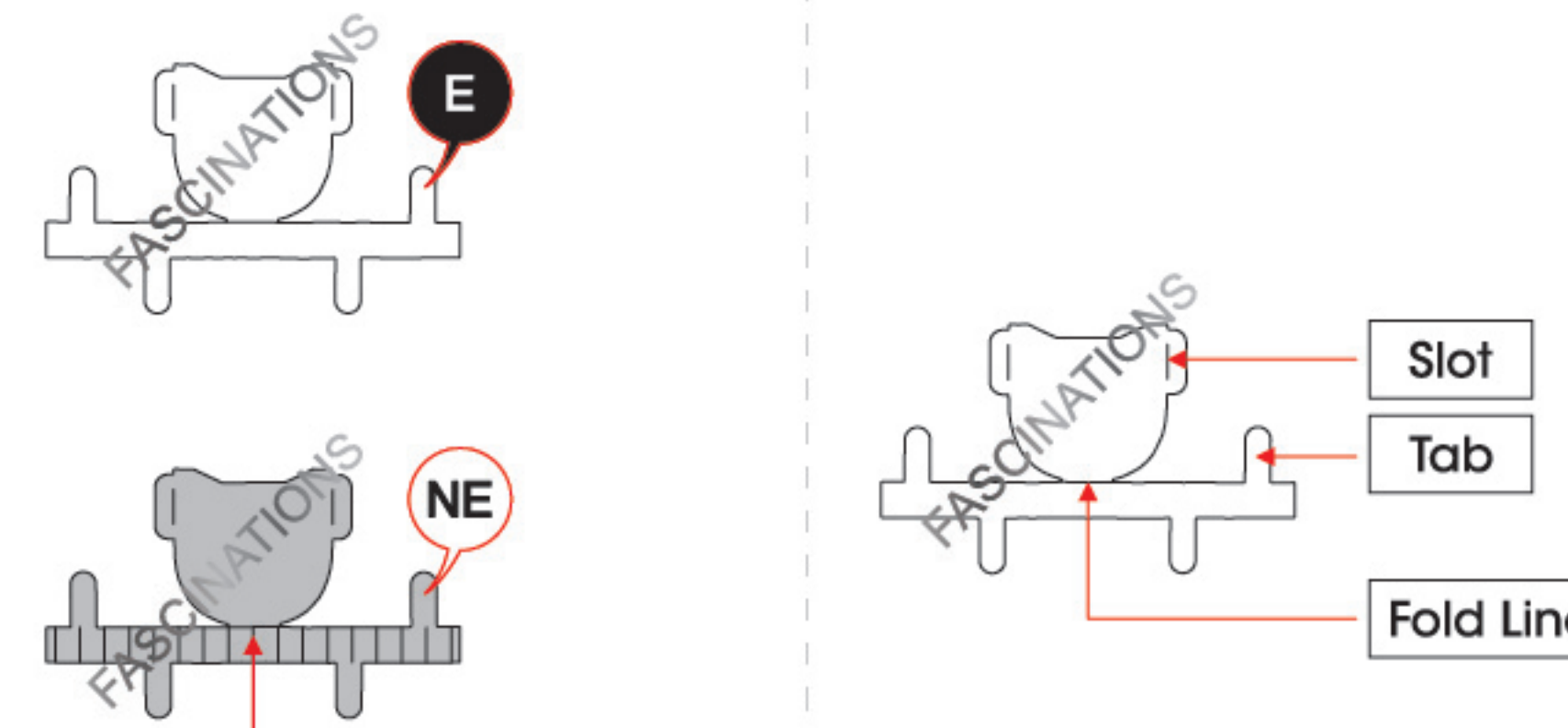
MIG-15
ME1040

It is highly recommended that you visit www.metalearth.com/360/ME1040 to see the completed model before assembling your own



TO CREATE THE BEST CONNECTIONS

B-57



Consider these engraved stripes as supporting features for the bend

Legends:

- E** Engraved/ Color side
- NE** Non - engraved/ Silver side
- Attention point
- Insert tab and bend 90 degrees
- Insert tab and twist 90 degrees

Recommended tools:

- Wire cutters: helpful for taking parts from the metal sheets.
- Tweezers or needle nose pliers: helpful for folding parts, bending and twisting tabs.

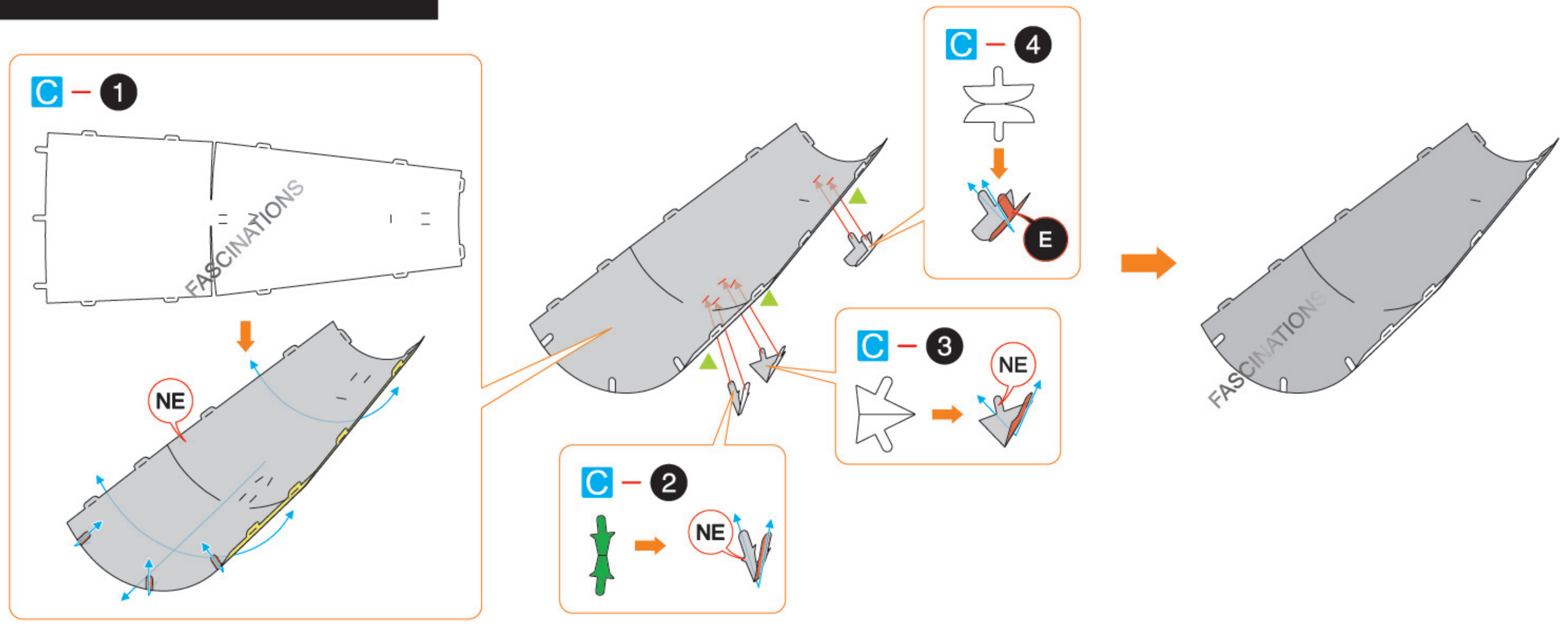
Assembly tip:

If needed, slightly twist tabs to hold parts together then untwist and bend them down for a nice finish.

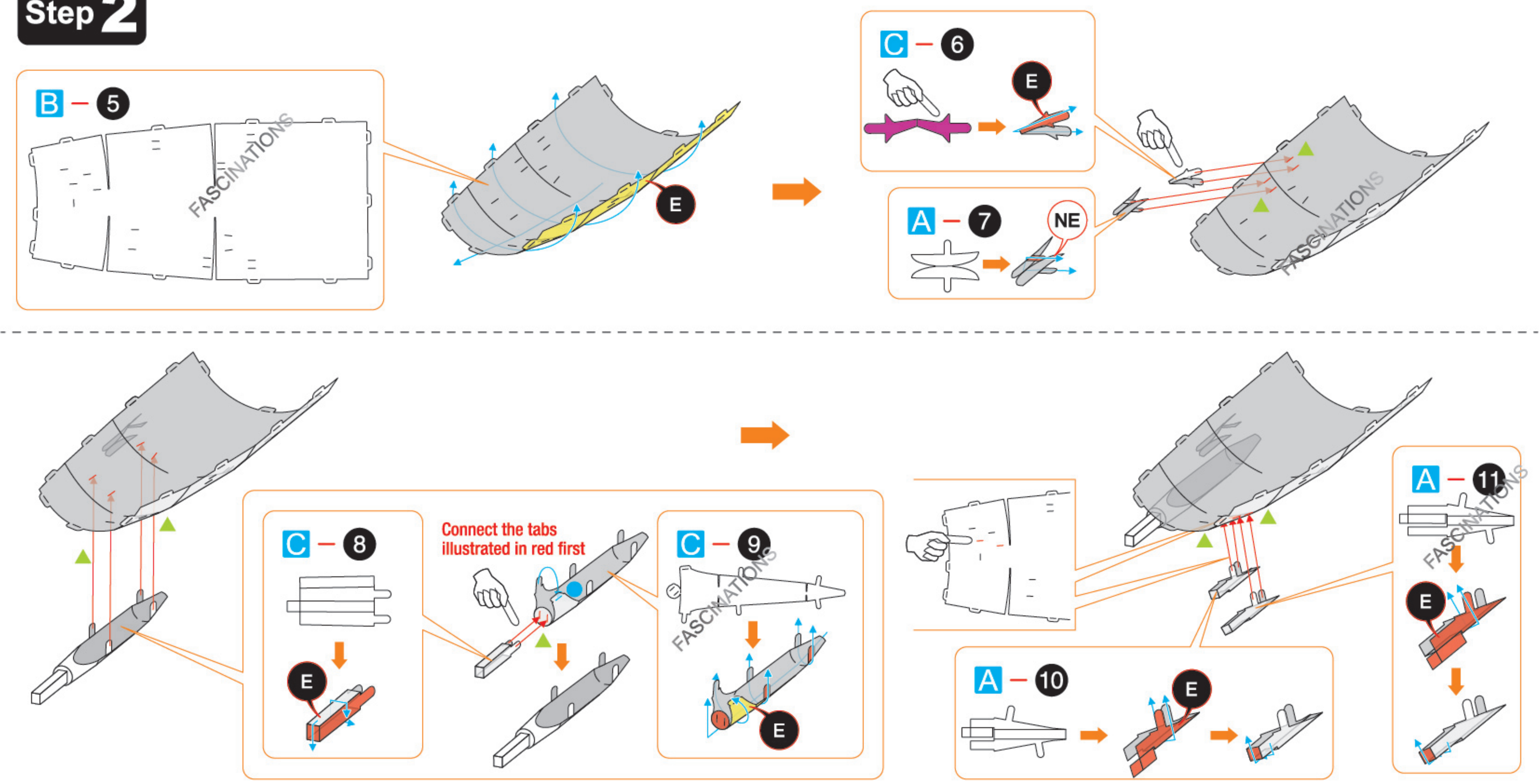
- Yellow areas should be curled
- Red areas should be folded

ASSEMBLY FLOW CHART

Step 1

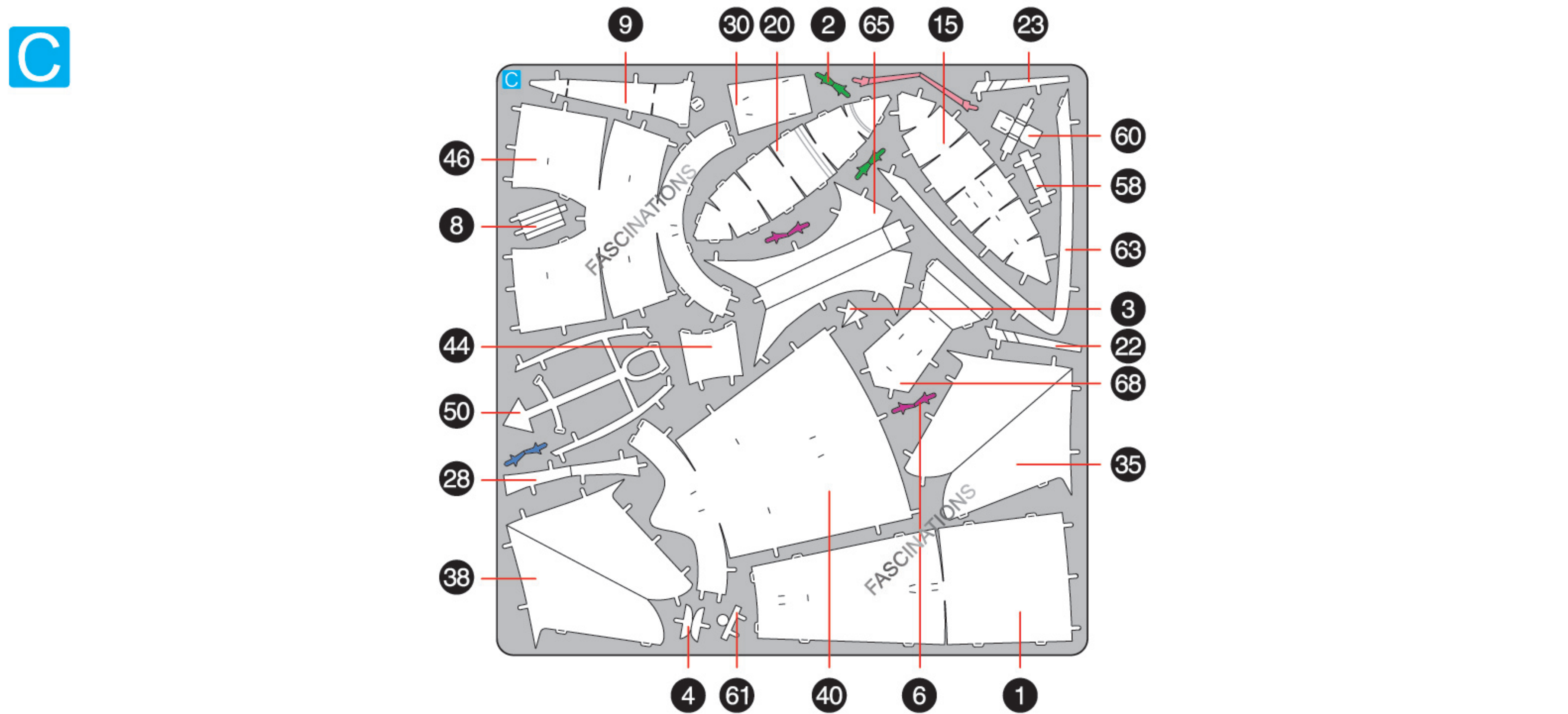
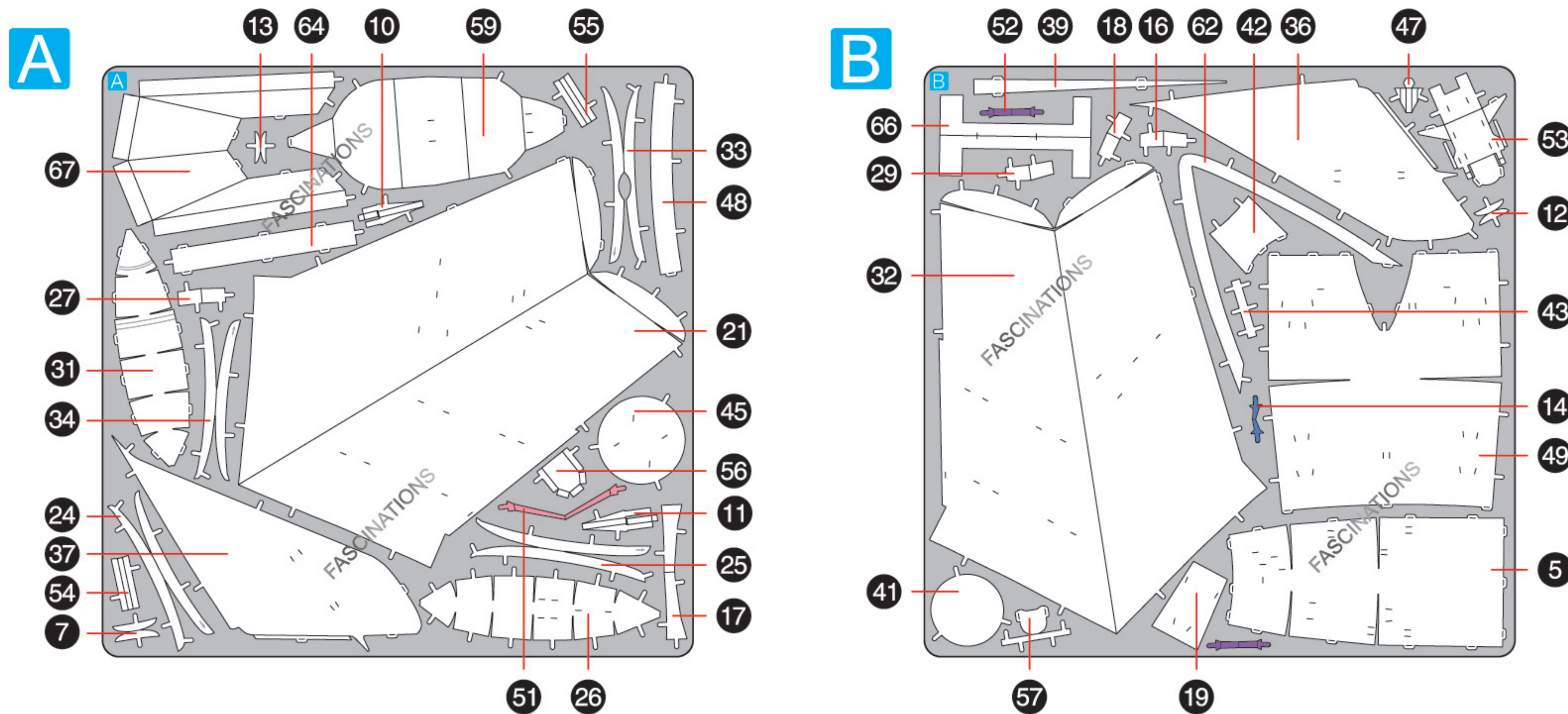


Step 2

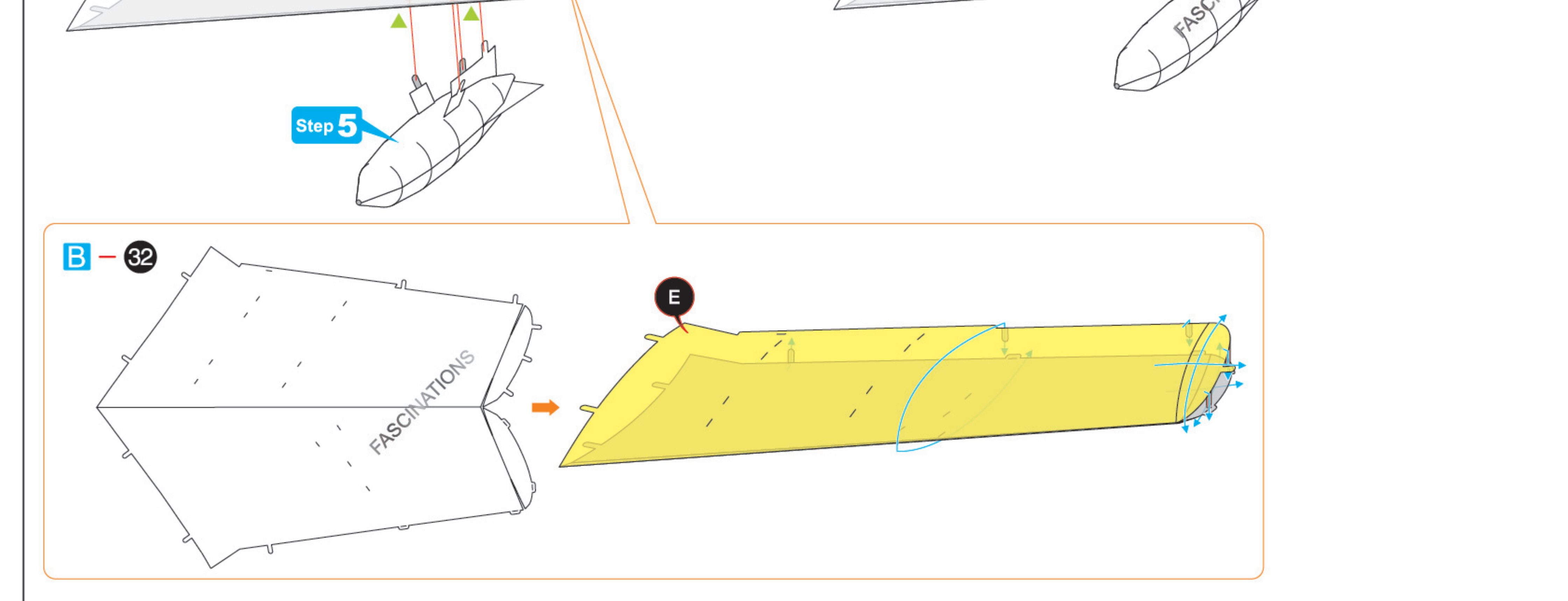
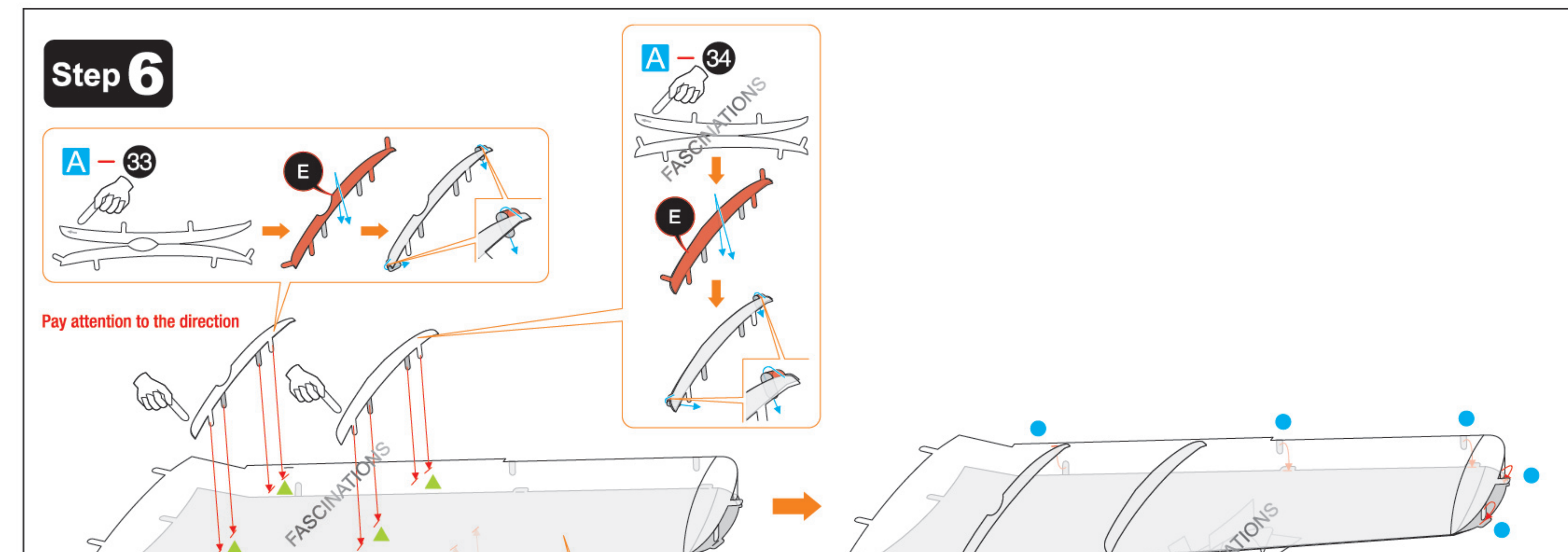
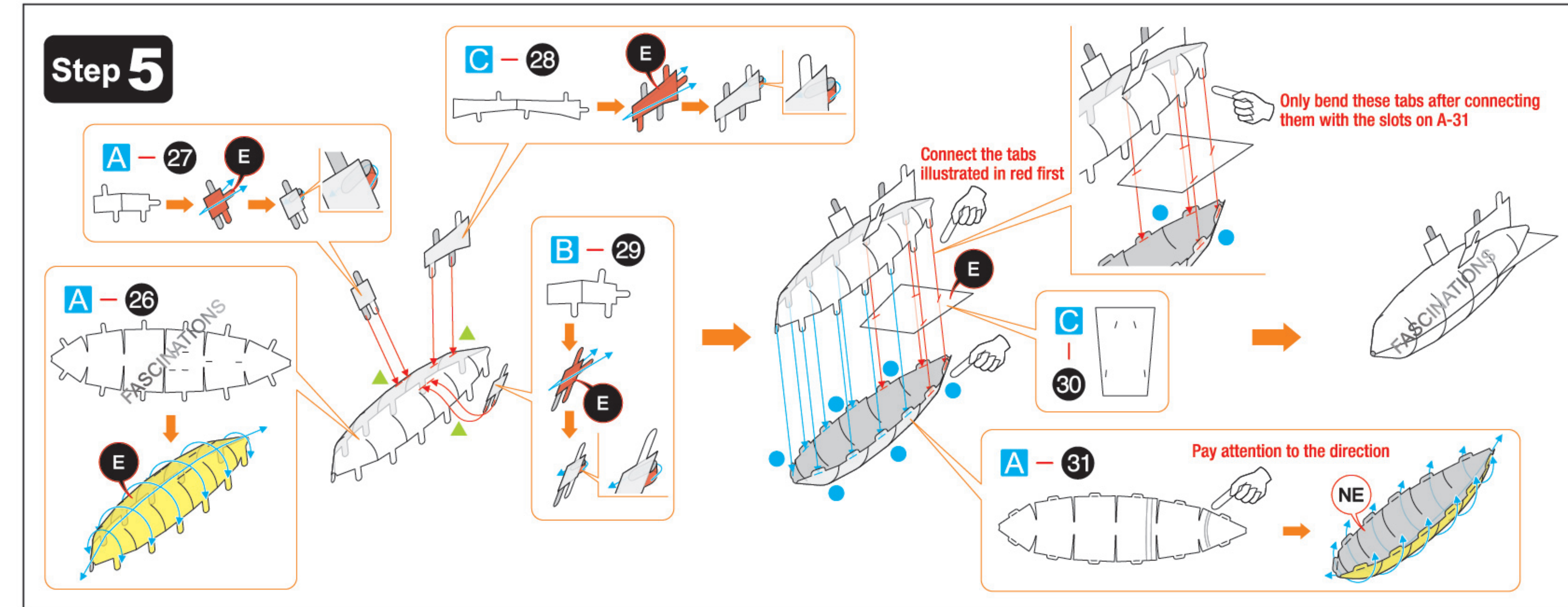
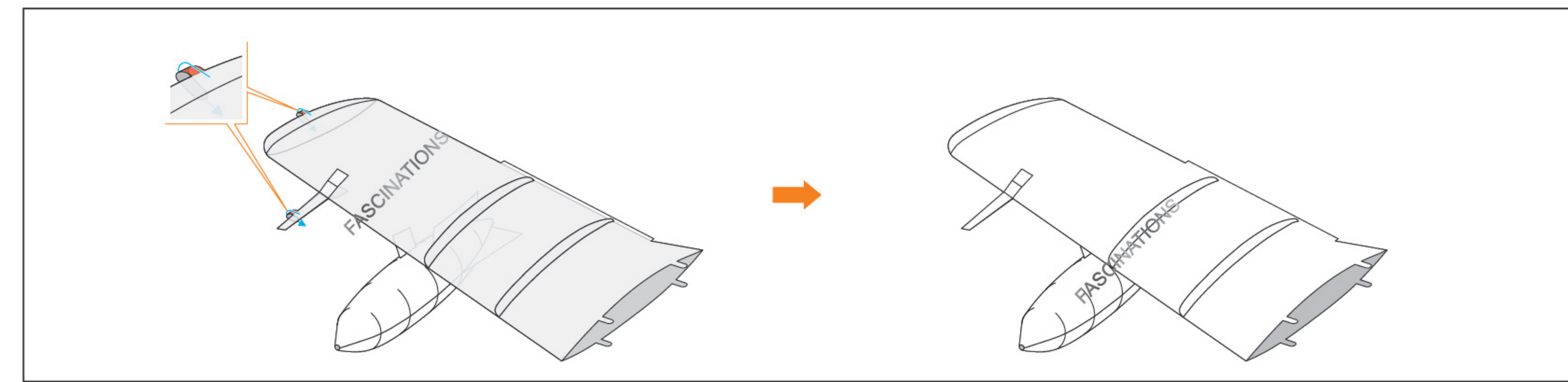
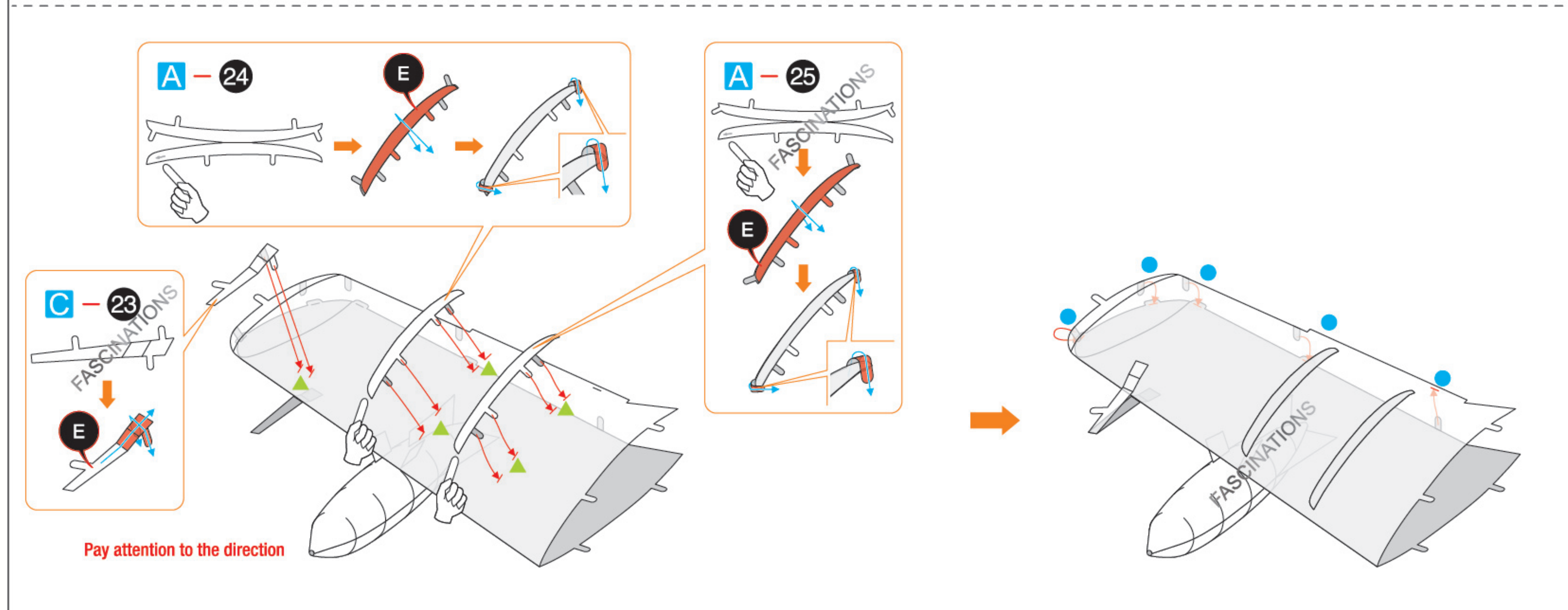
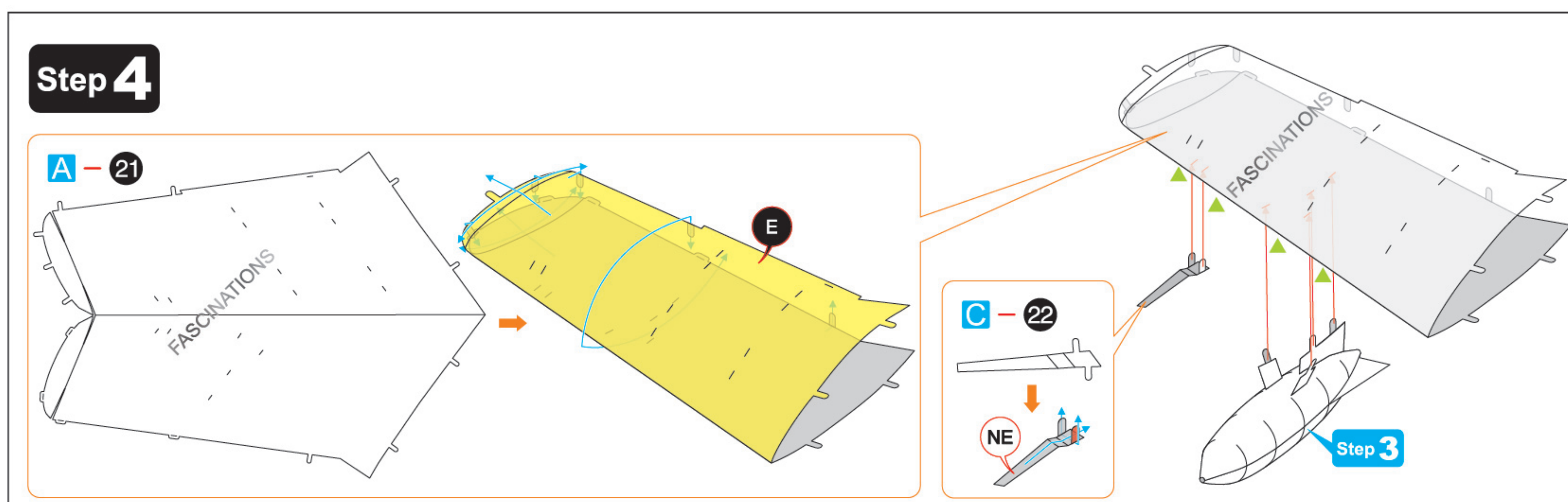
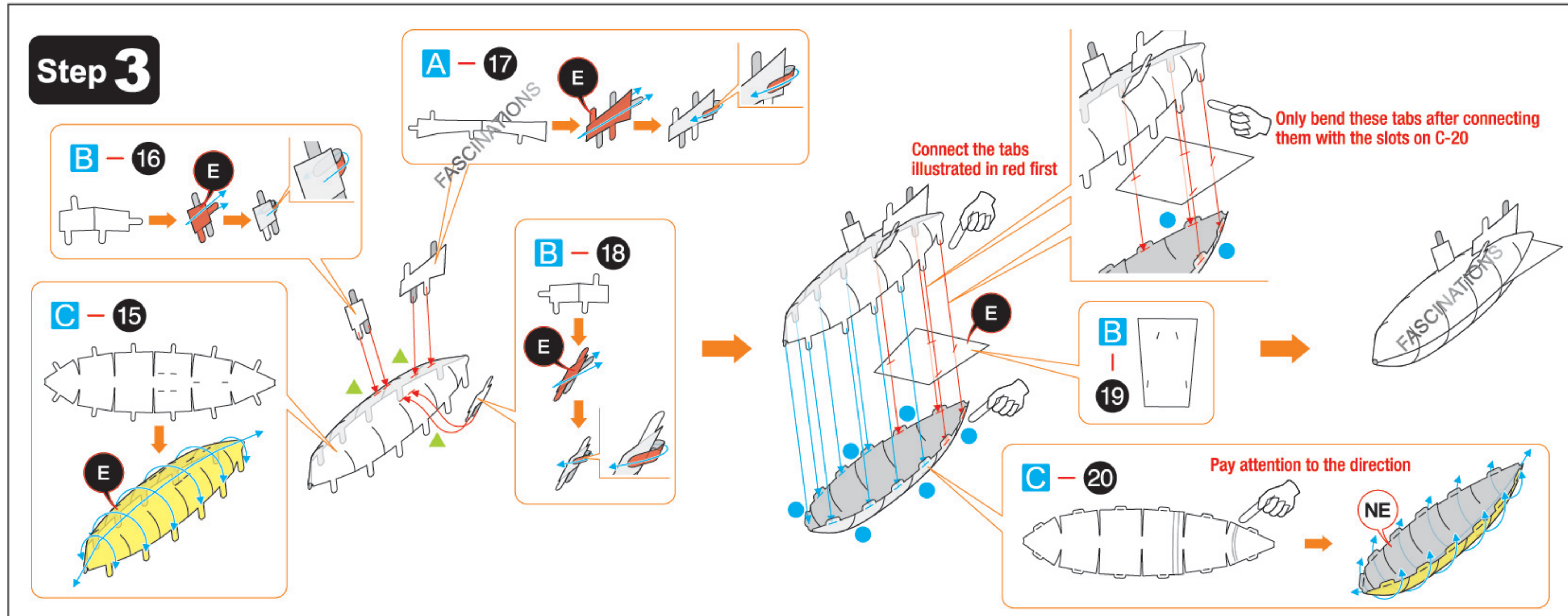
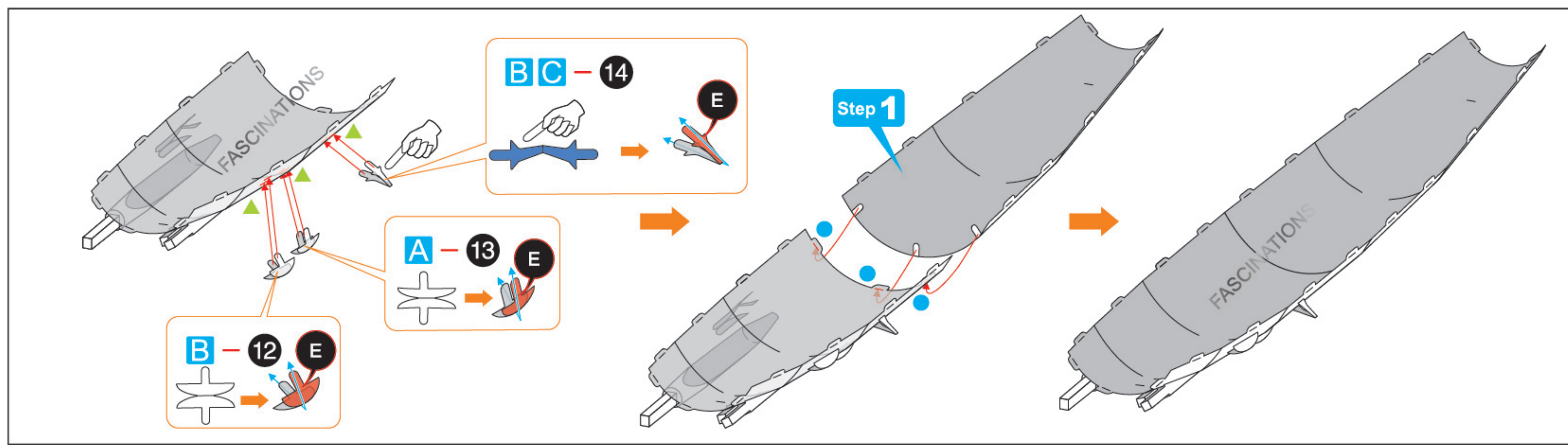


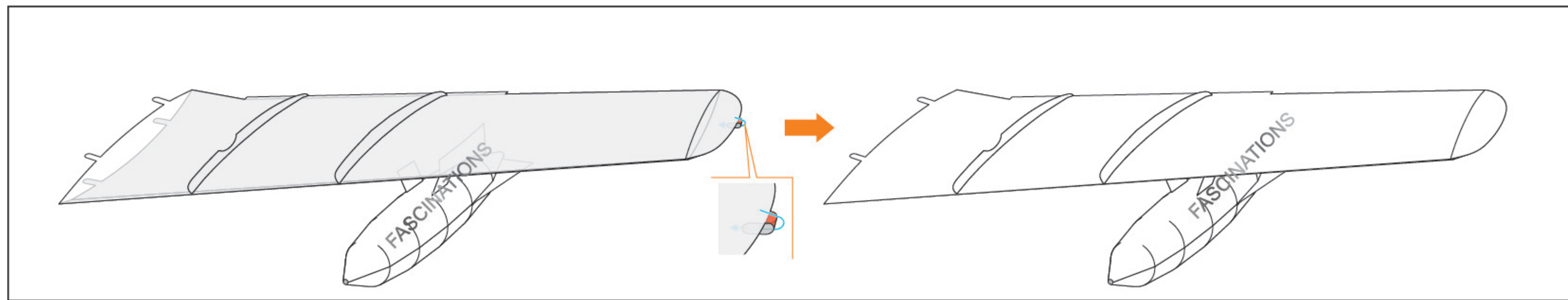
METAL SHEETS

Parts with same color are duplicates

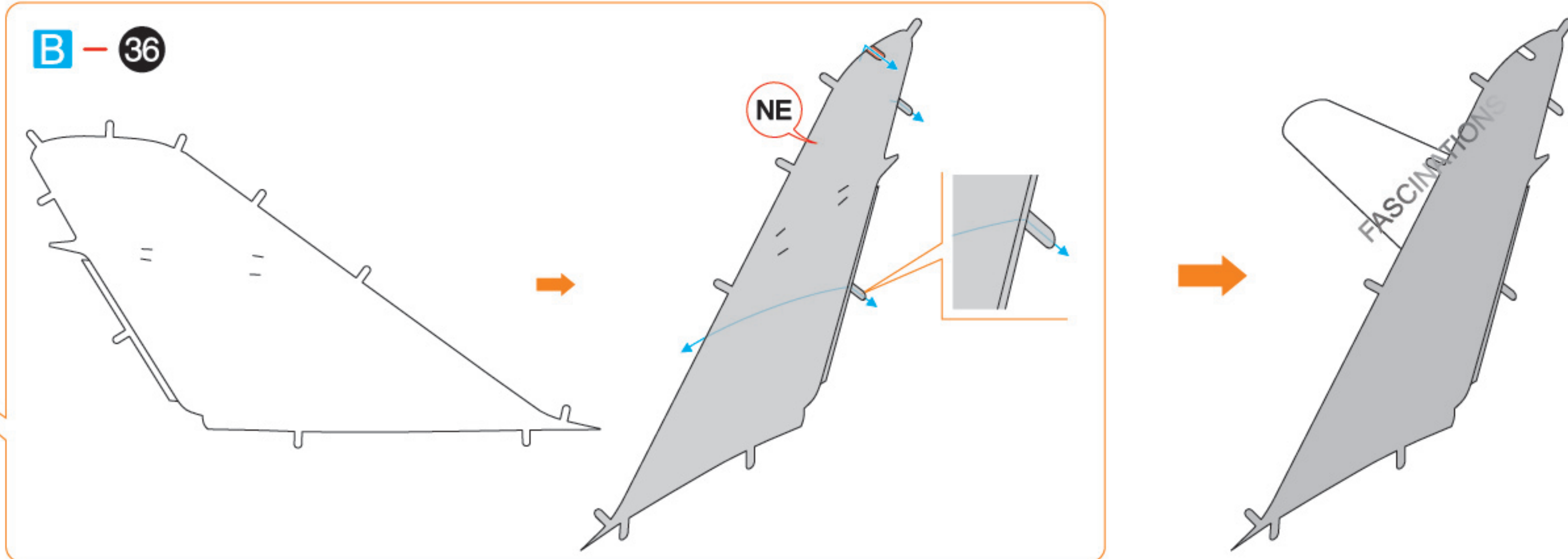
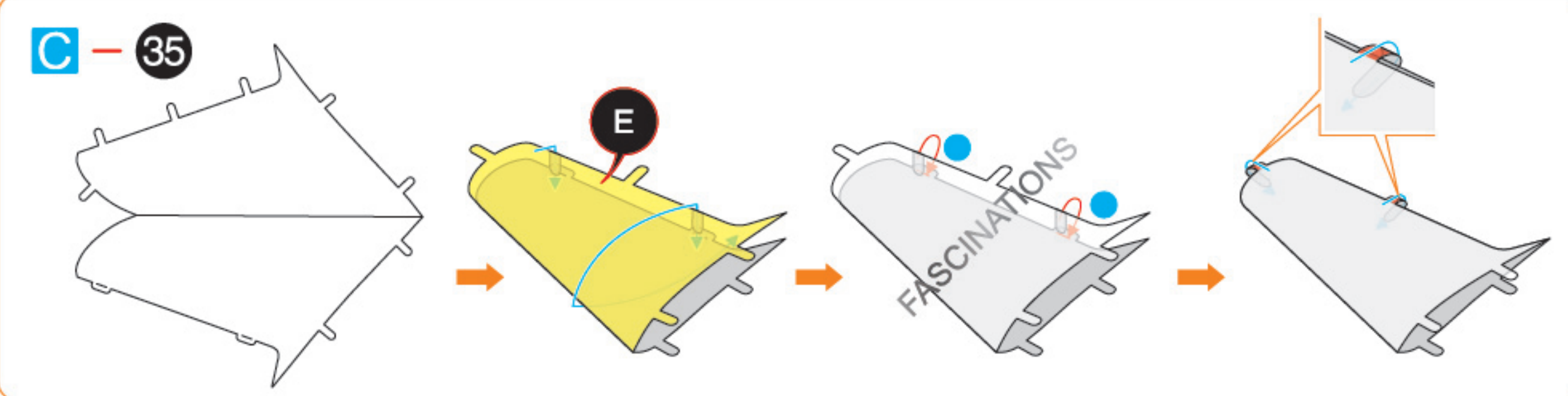


In order to avoid possible injury from sharp edges, please carefully discard the metal sheets after parts have been removed.

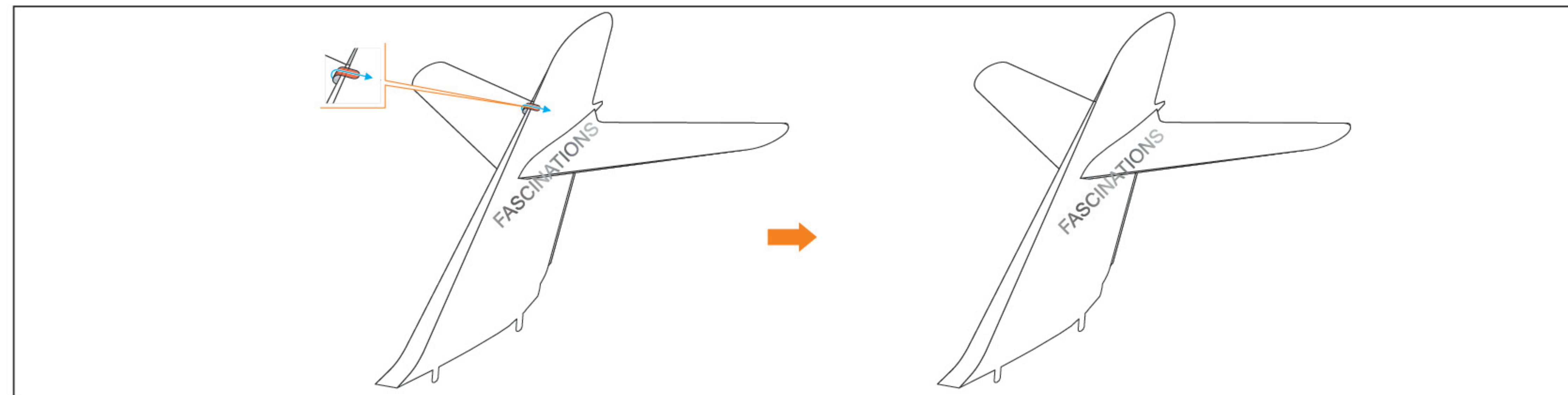
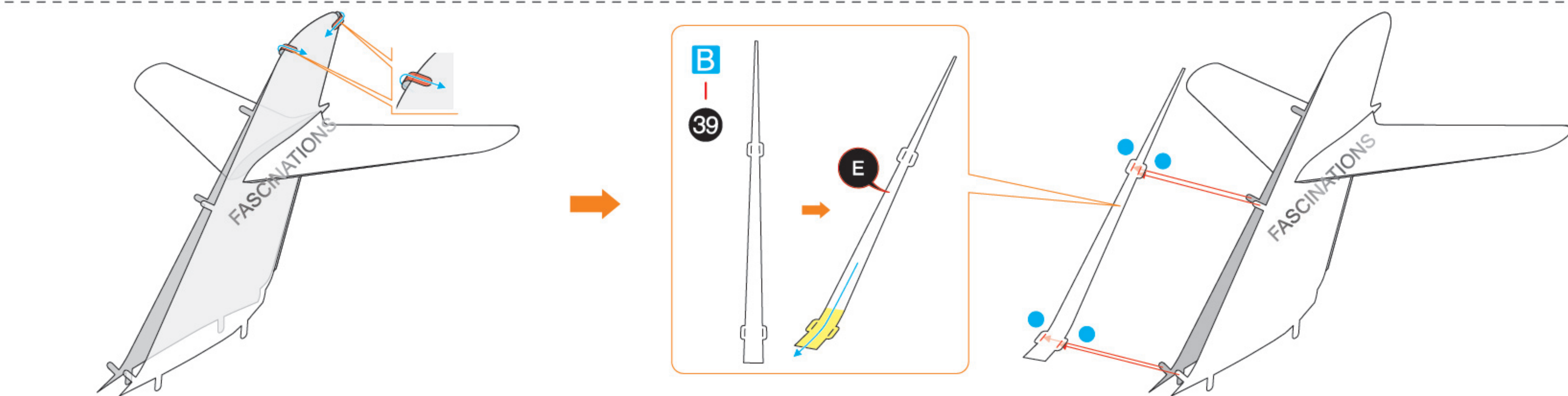
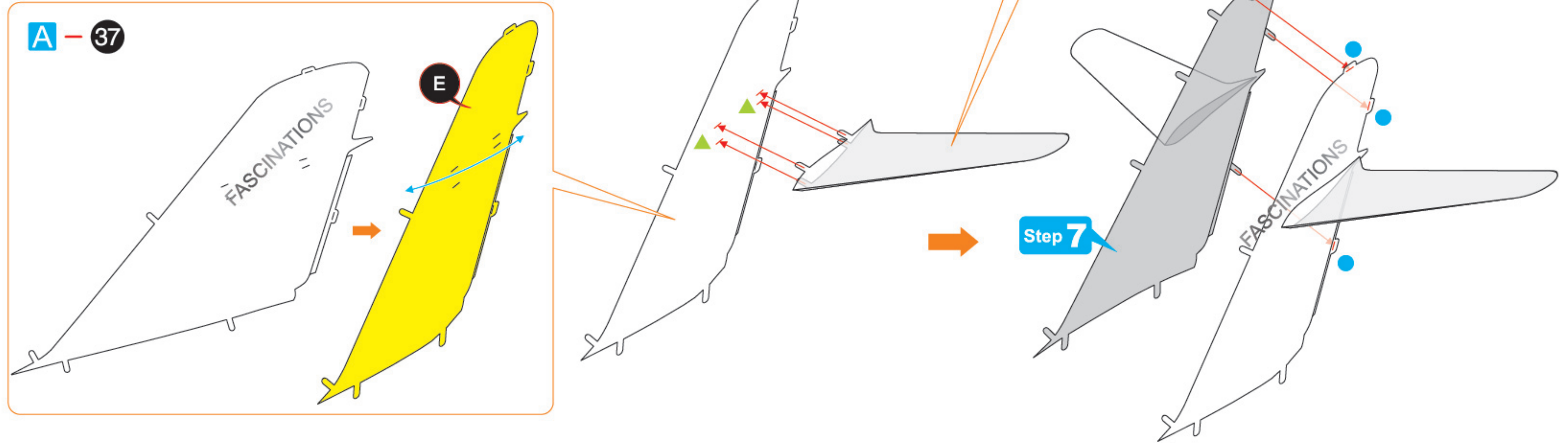
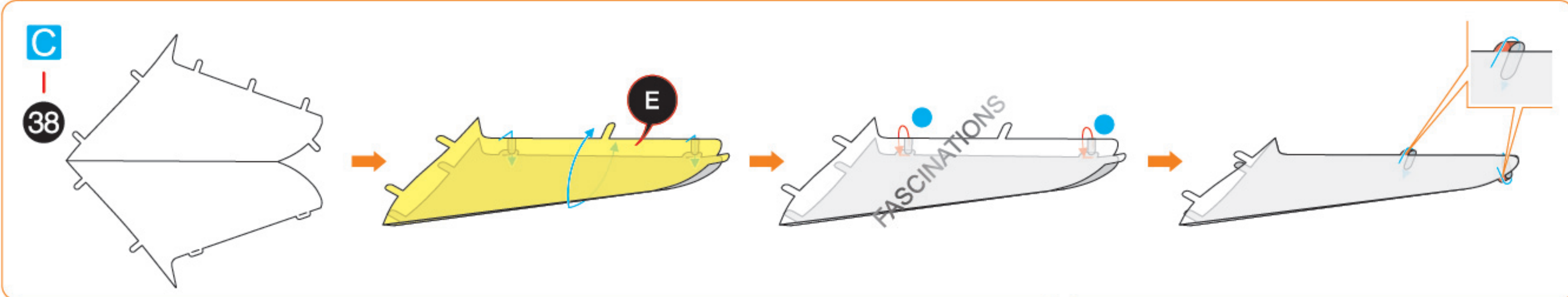




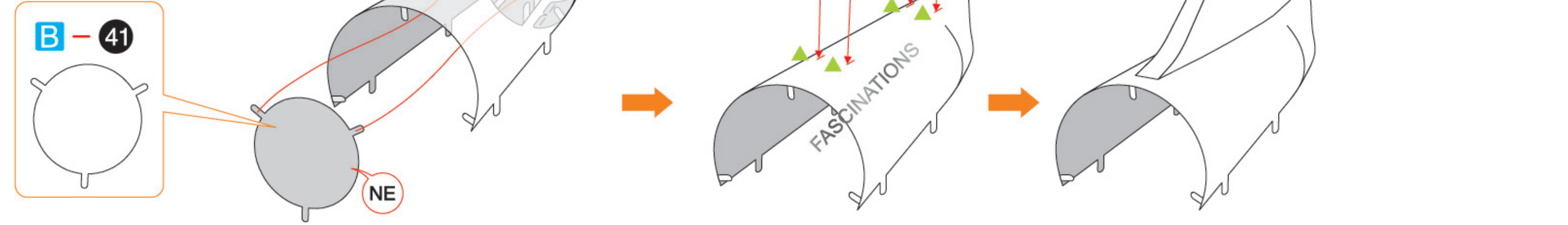
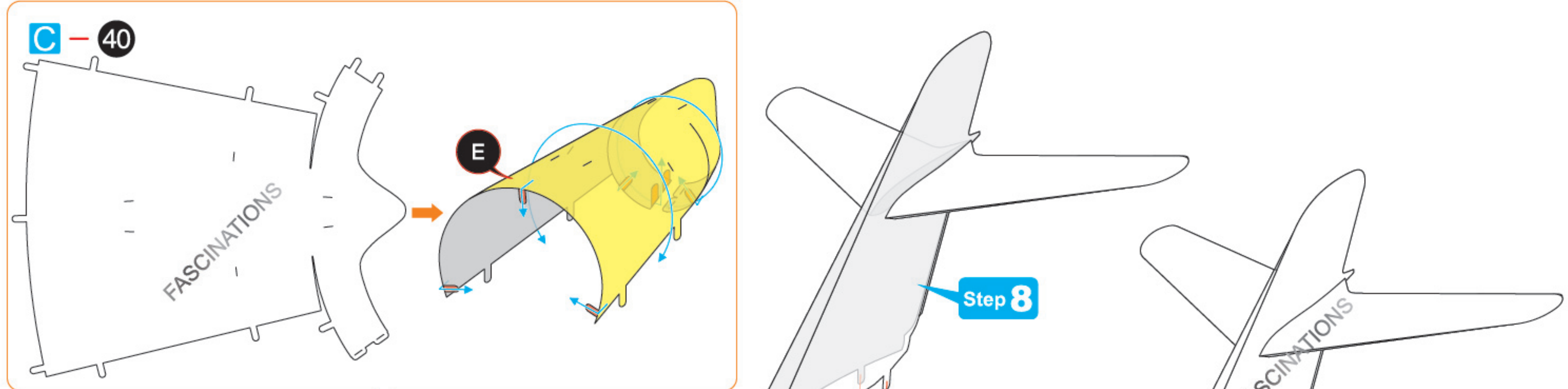
Step 7



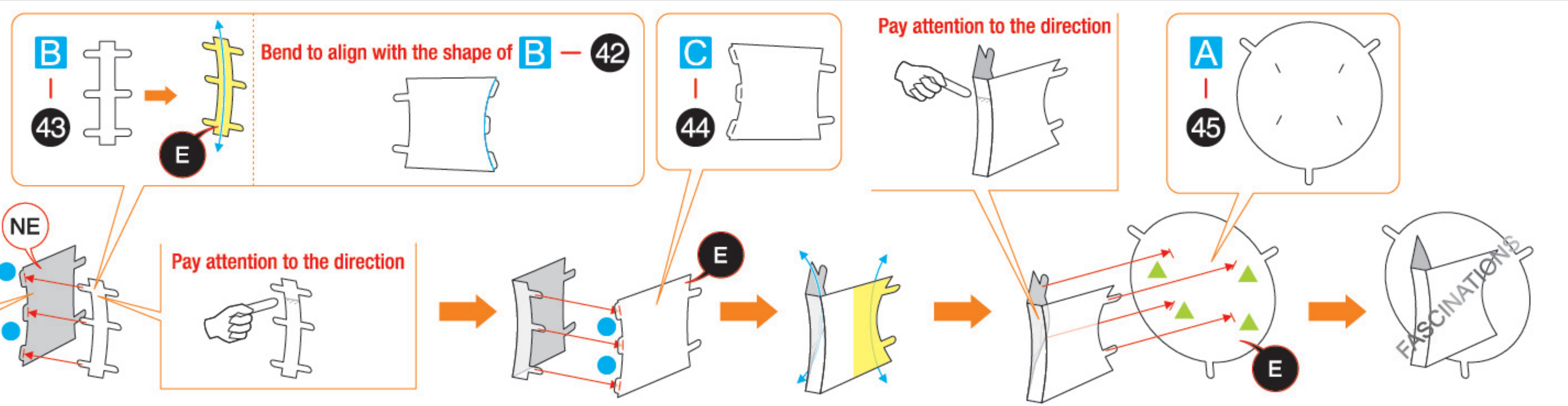
Step 8



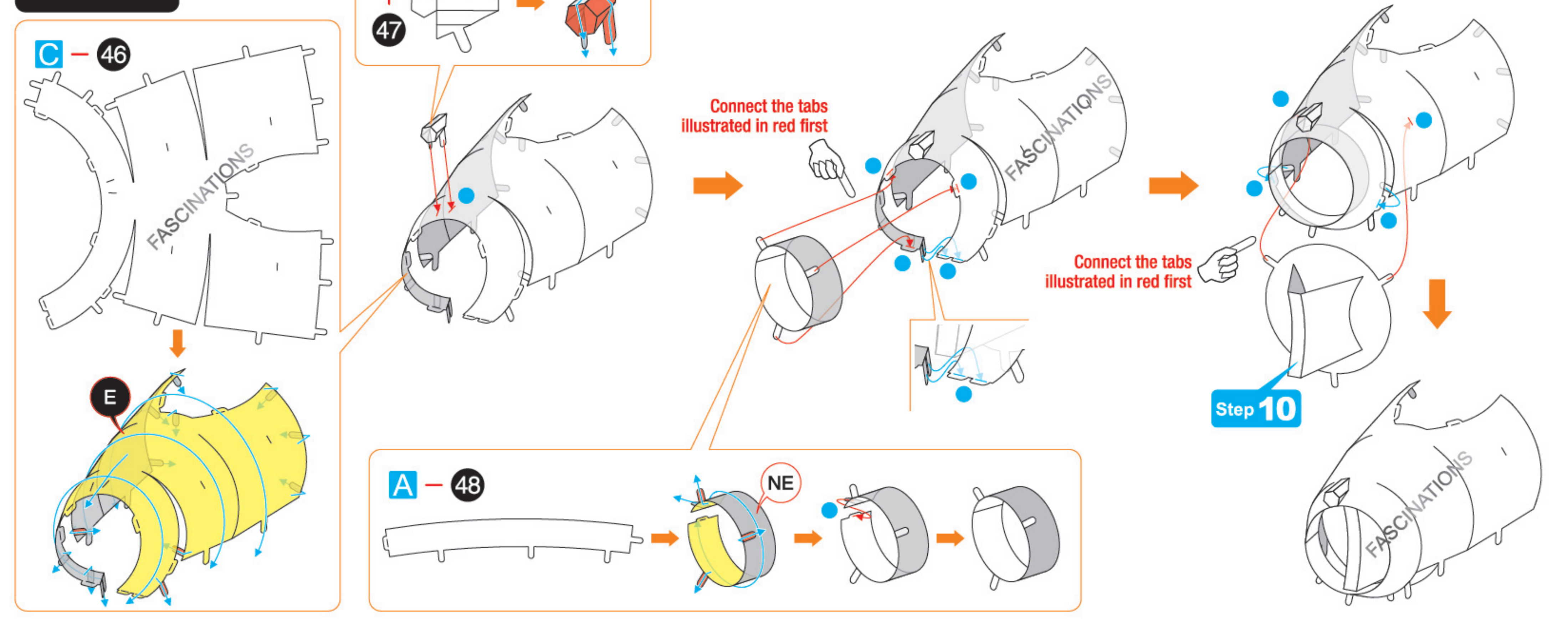
Step 9



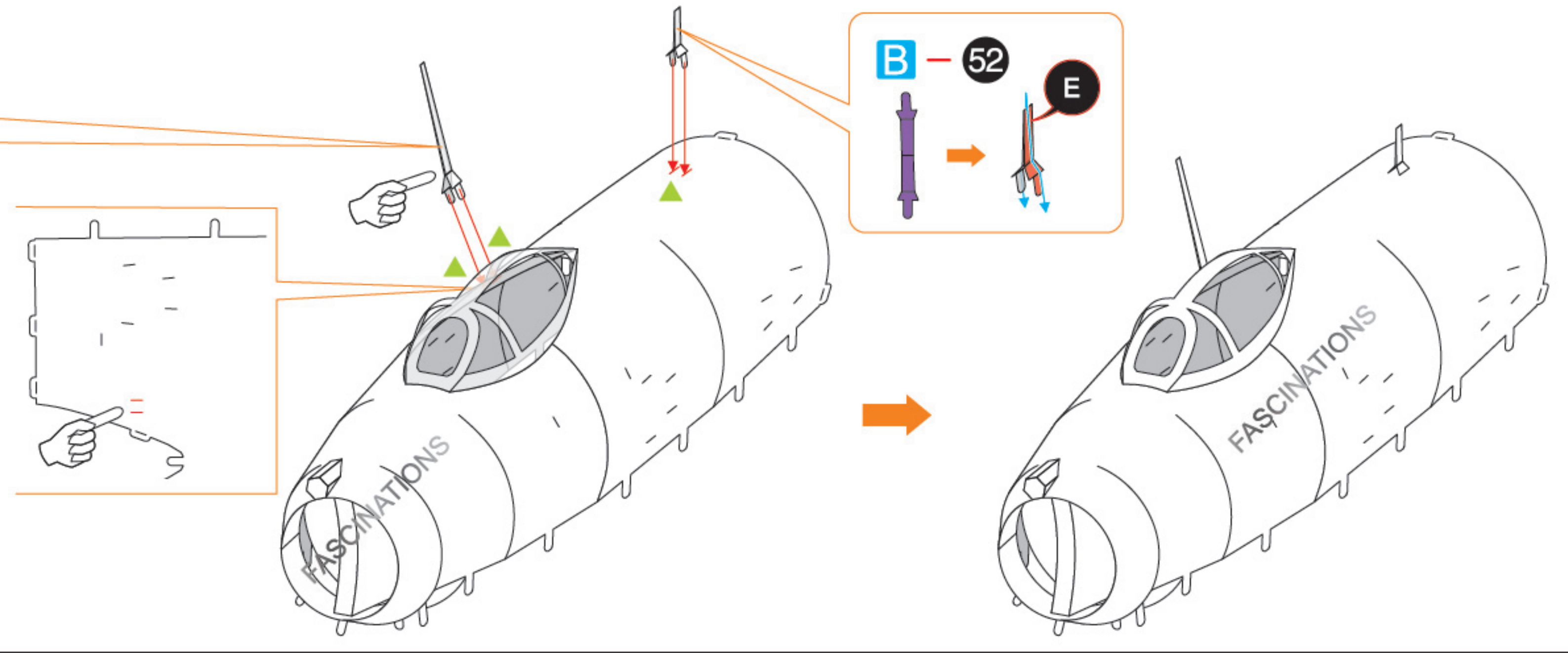
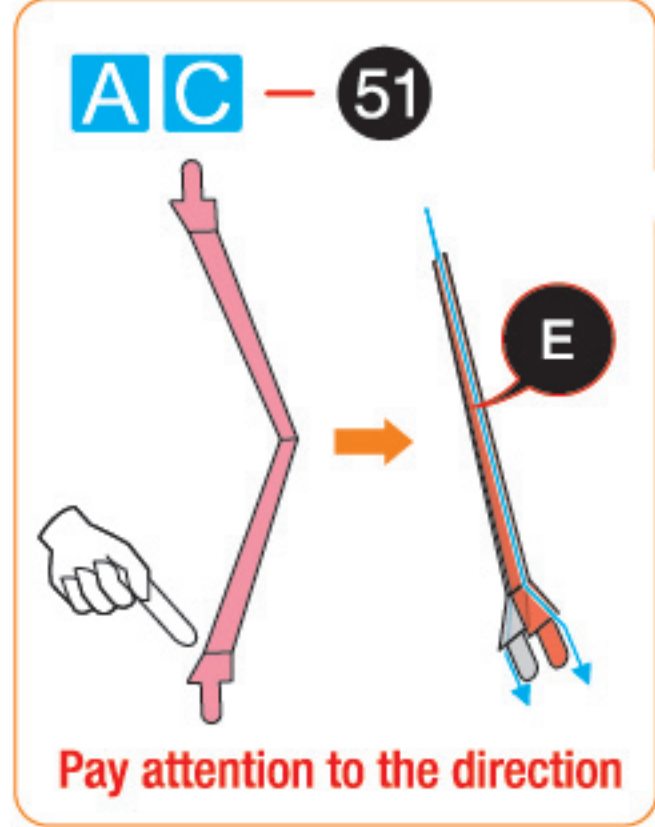
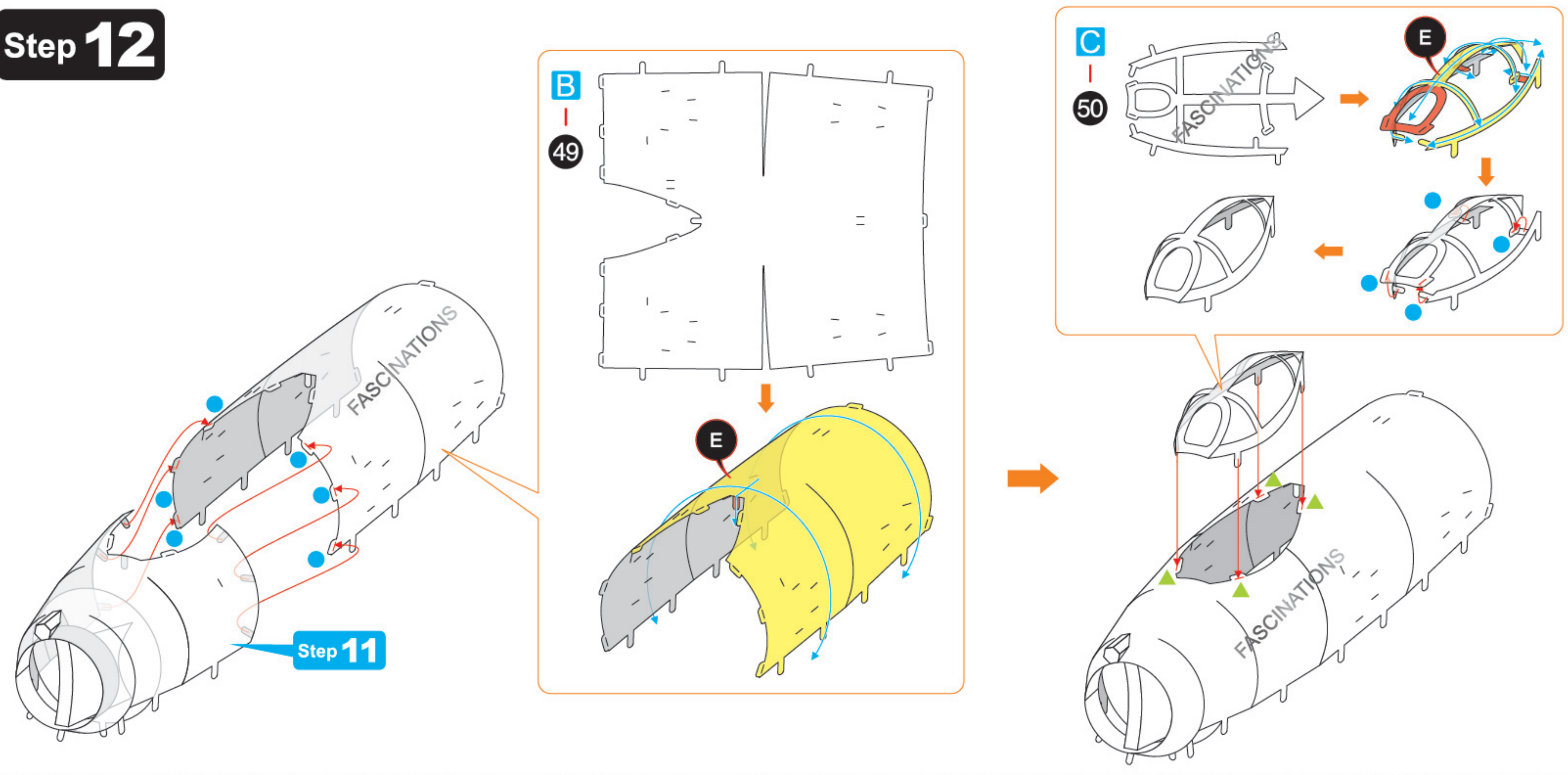
Step 10



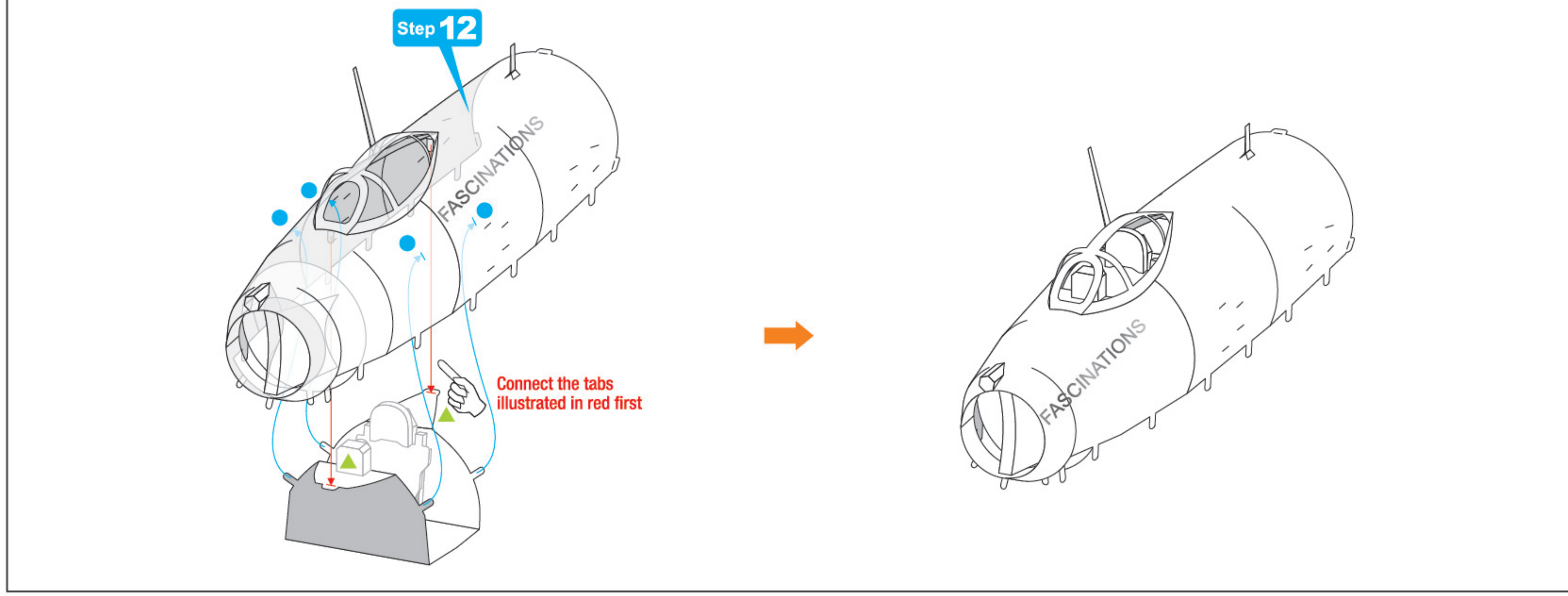
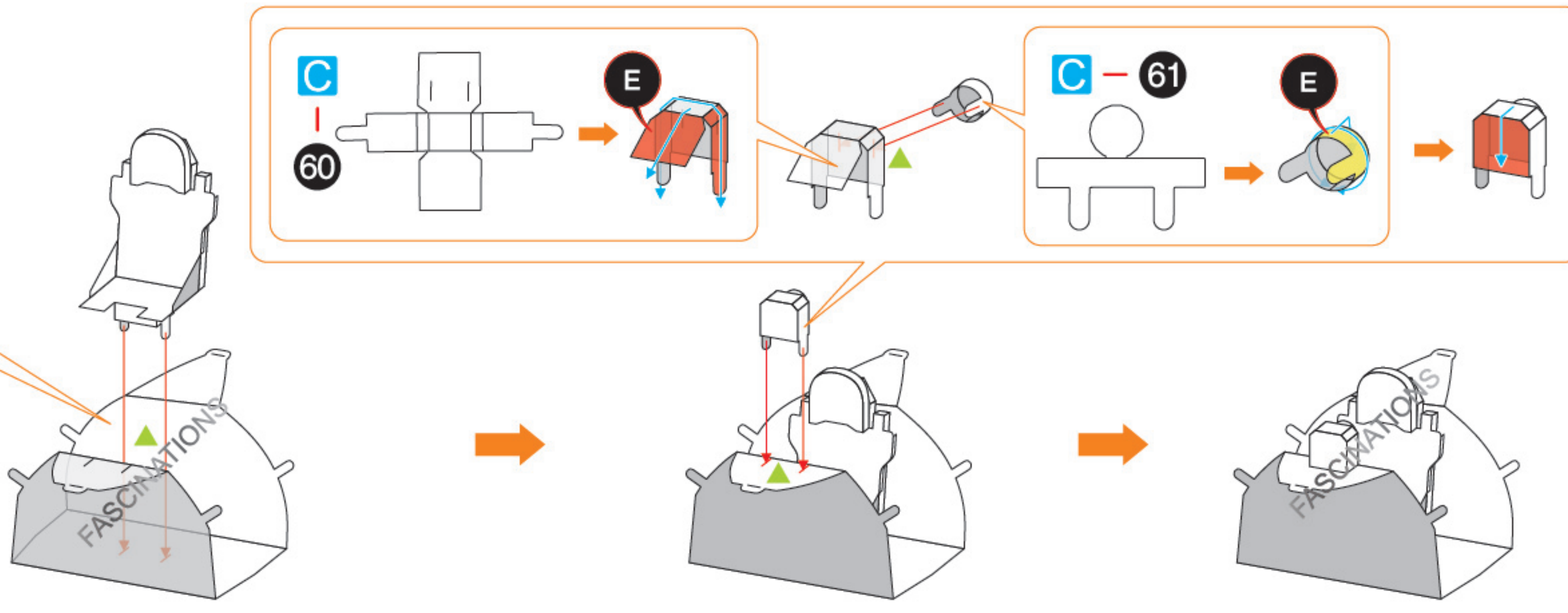
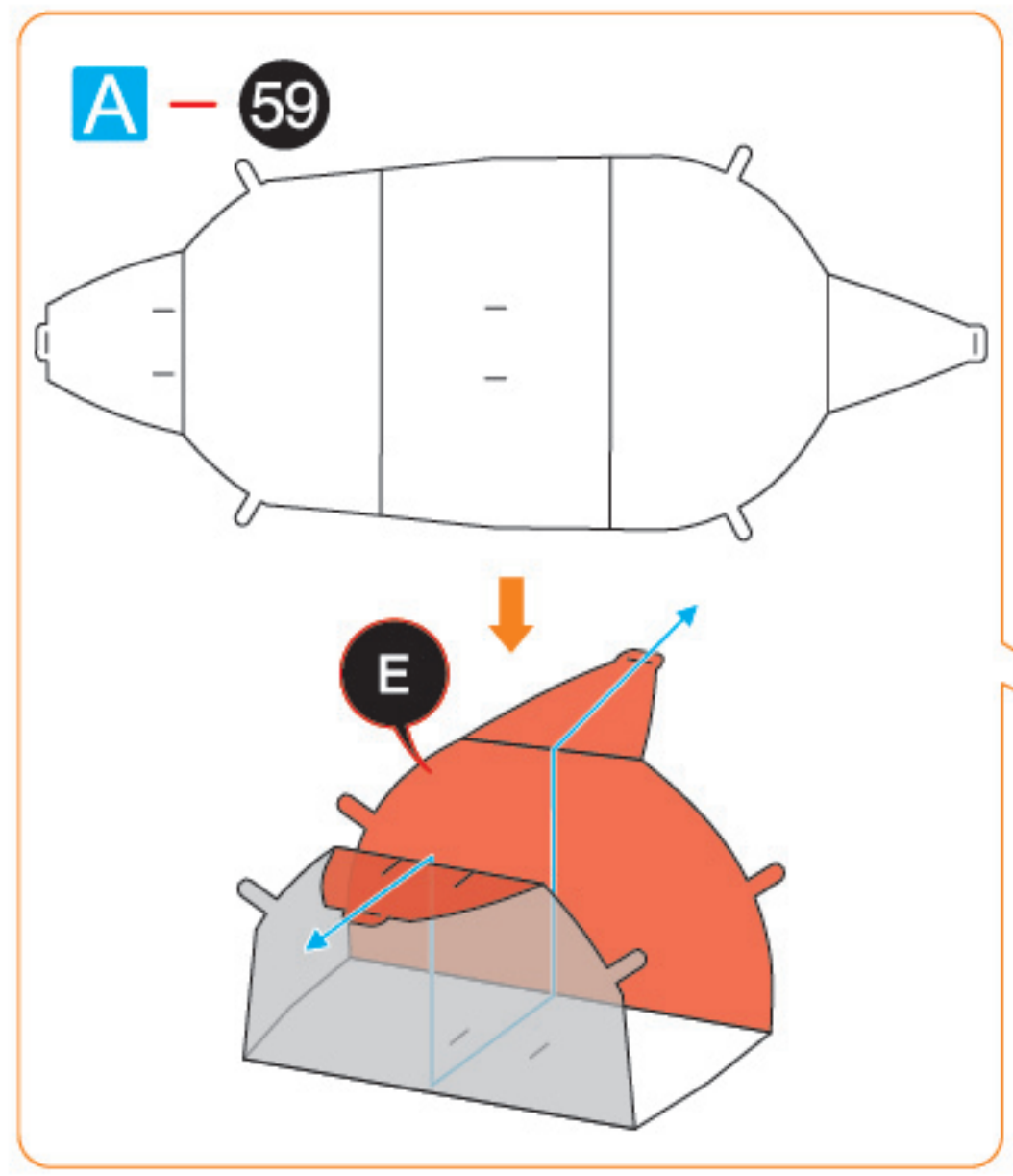
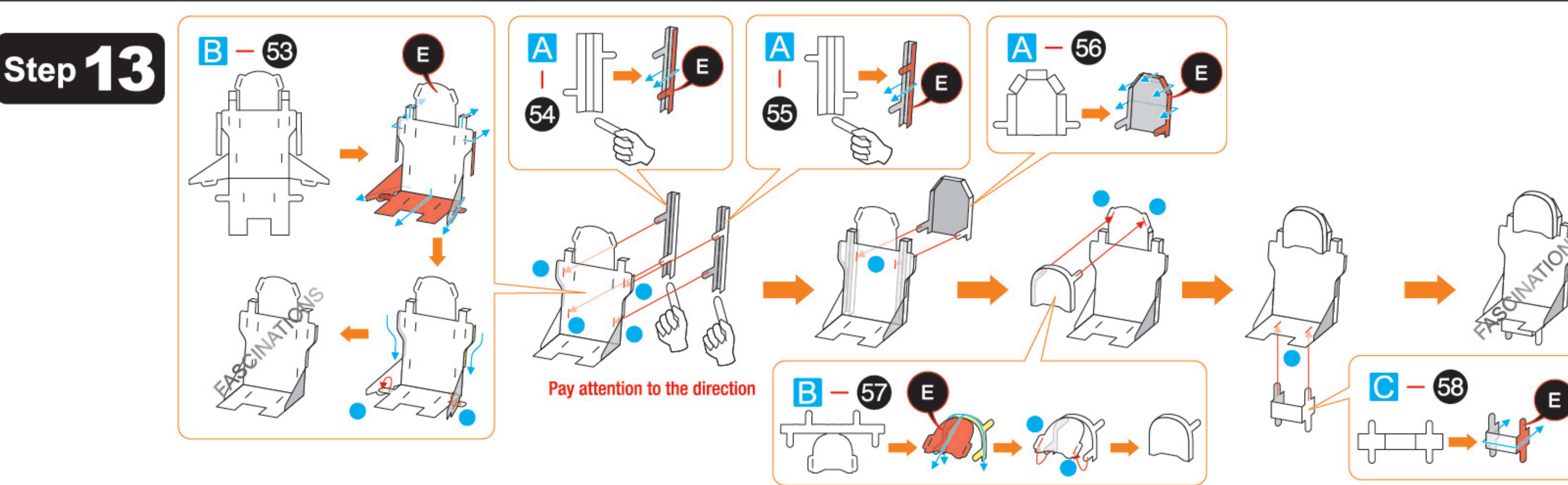
Step 11



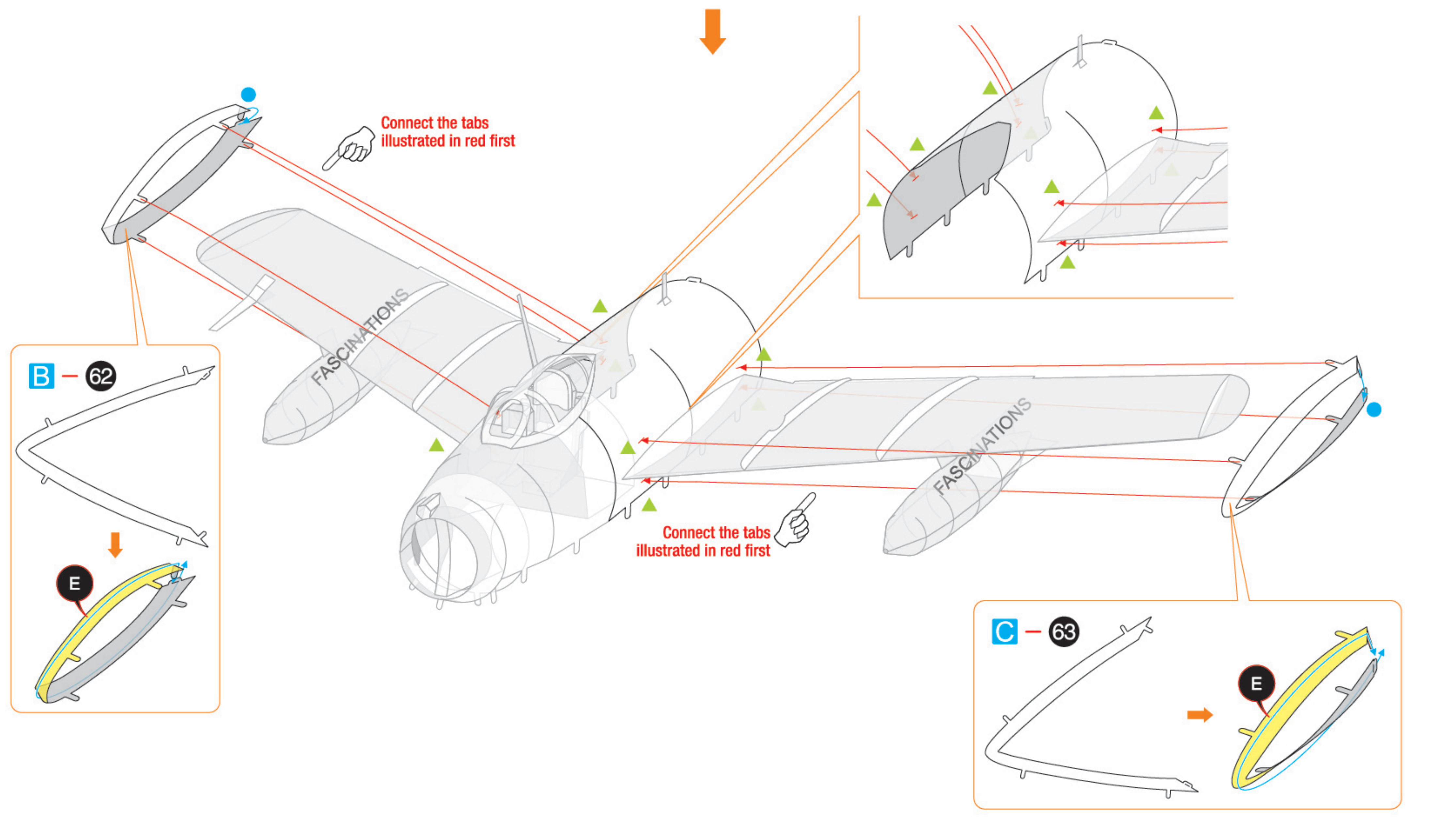
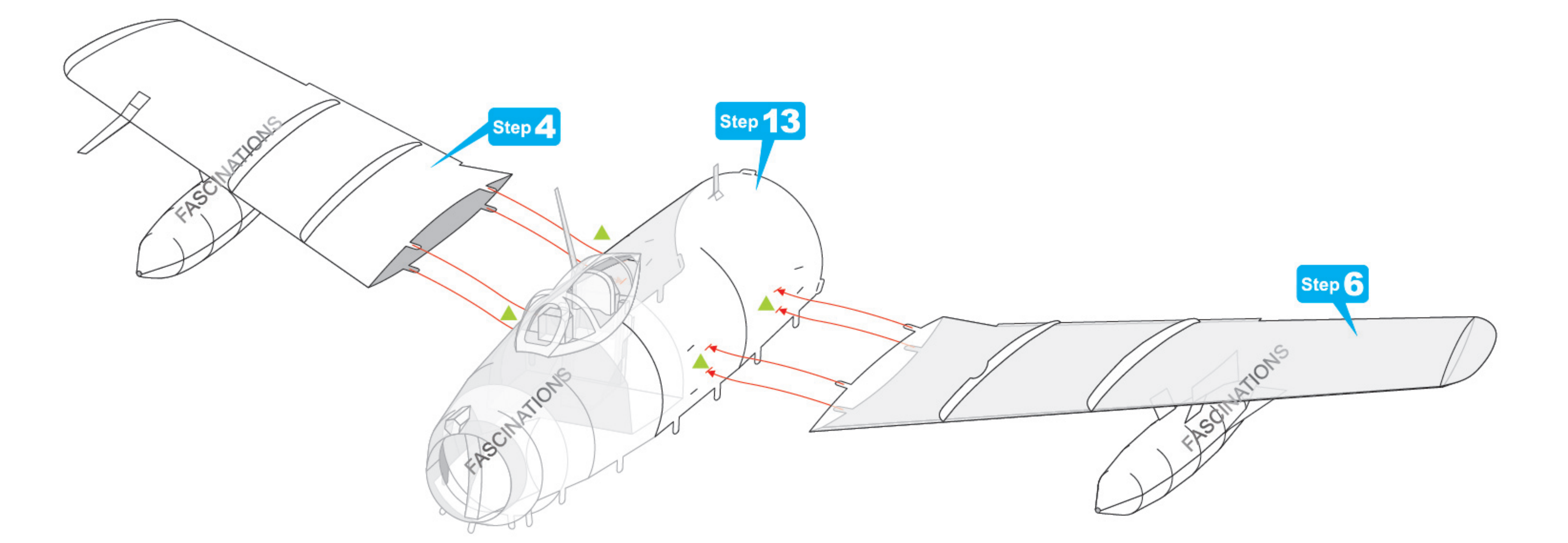
Step 12

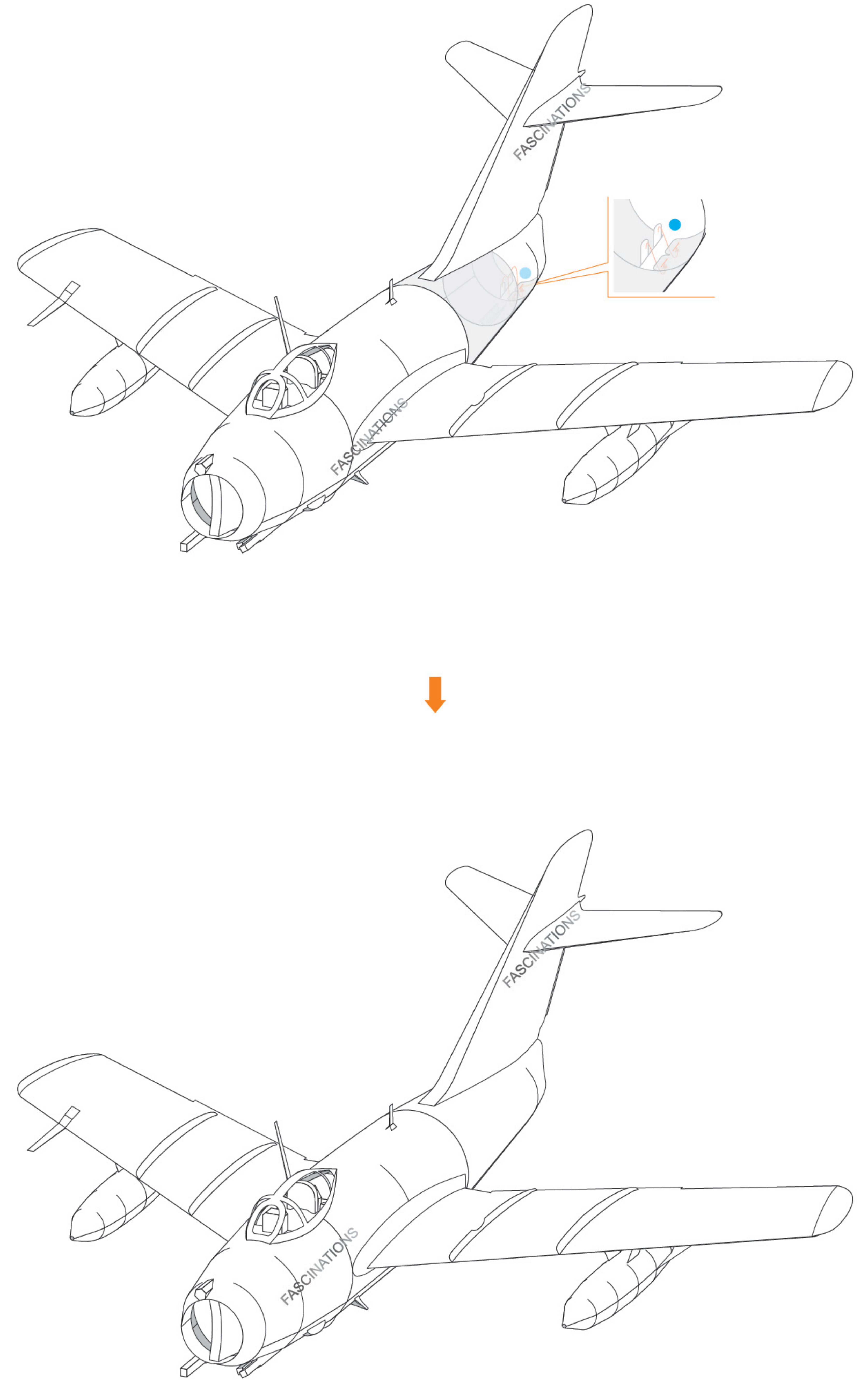
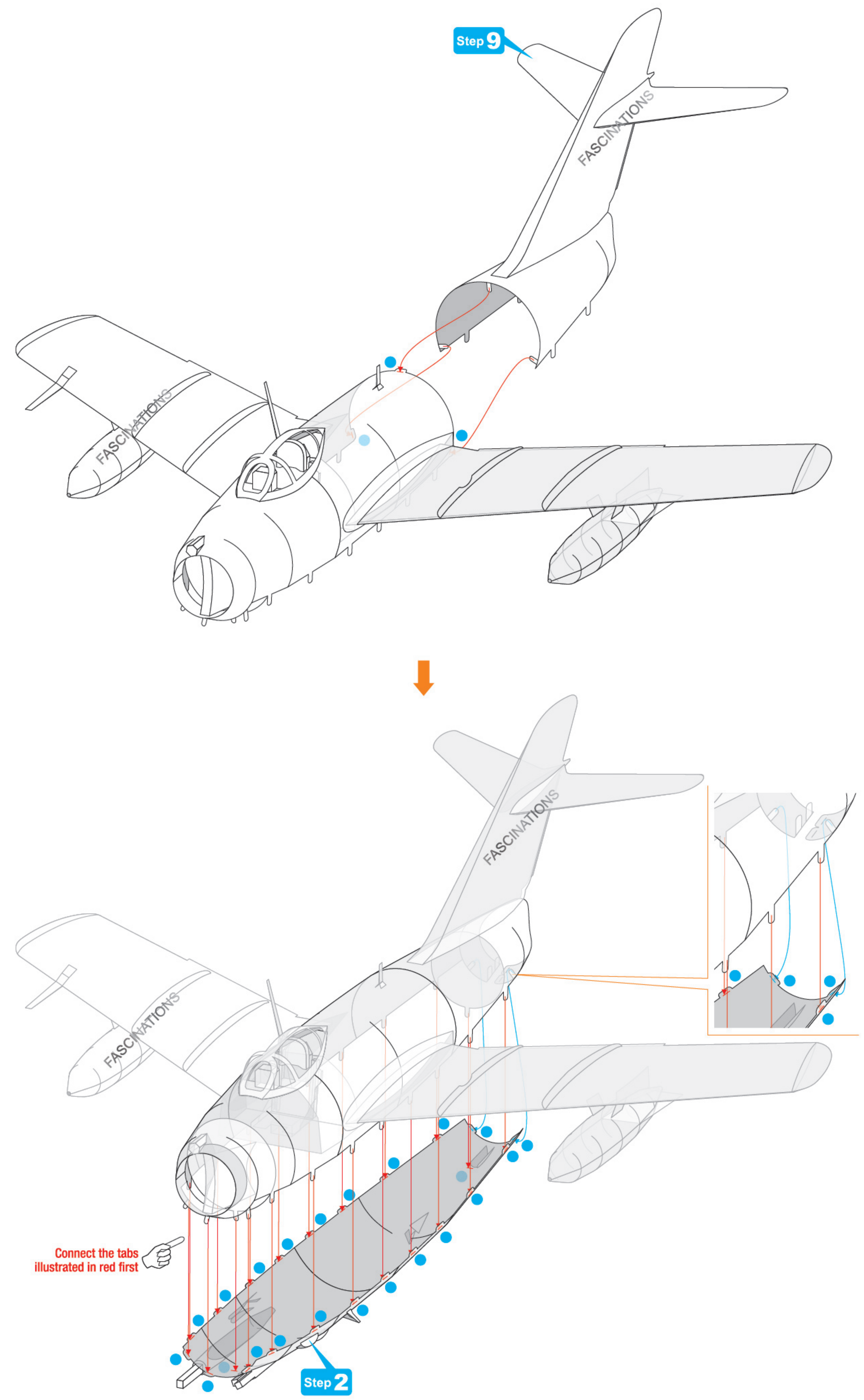


Step 13

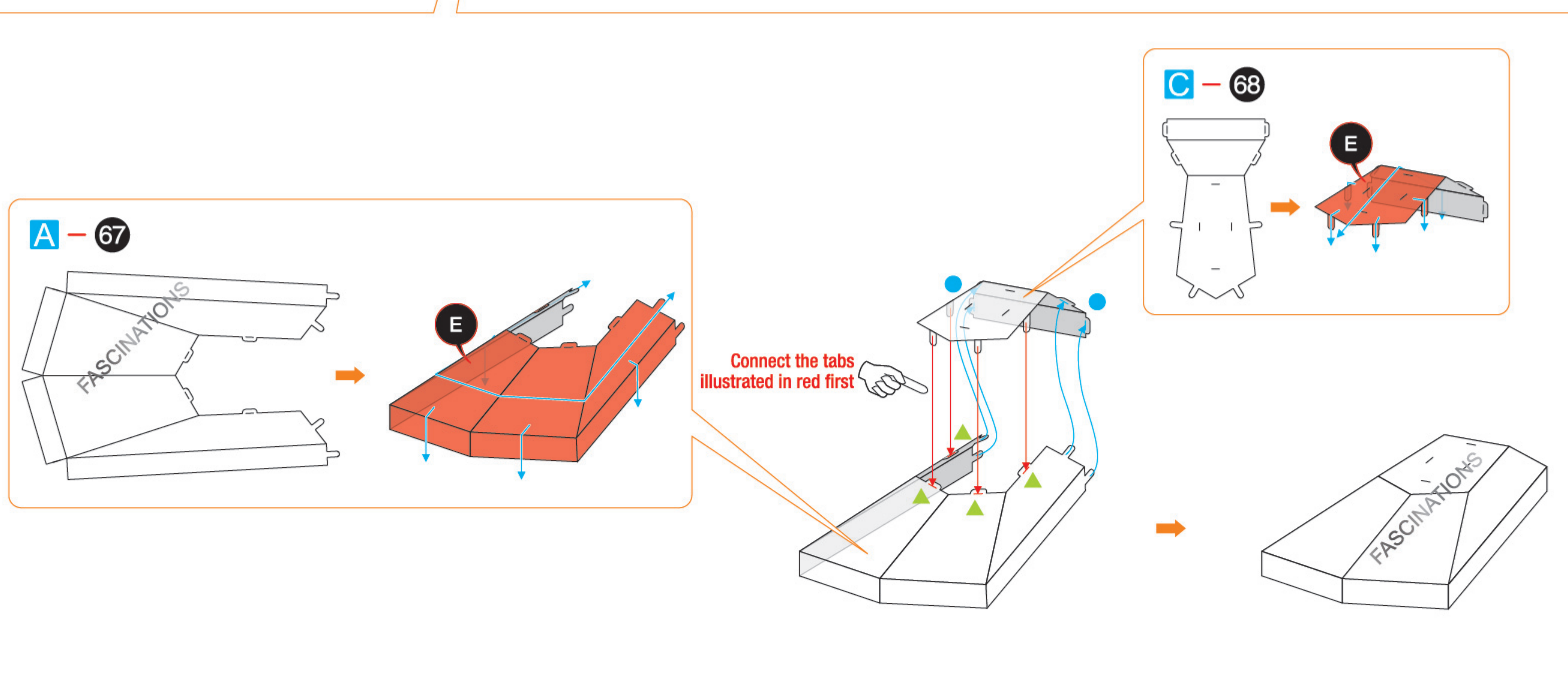
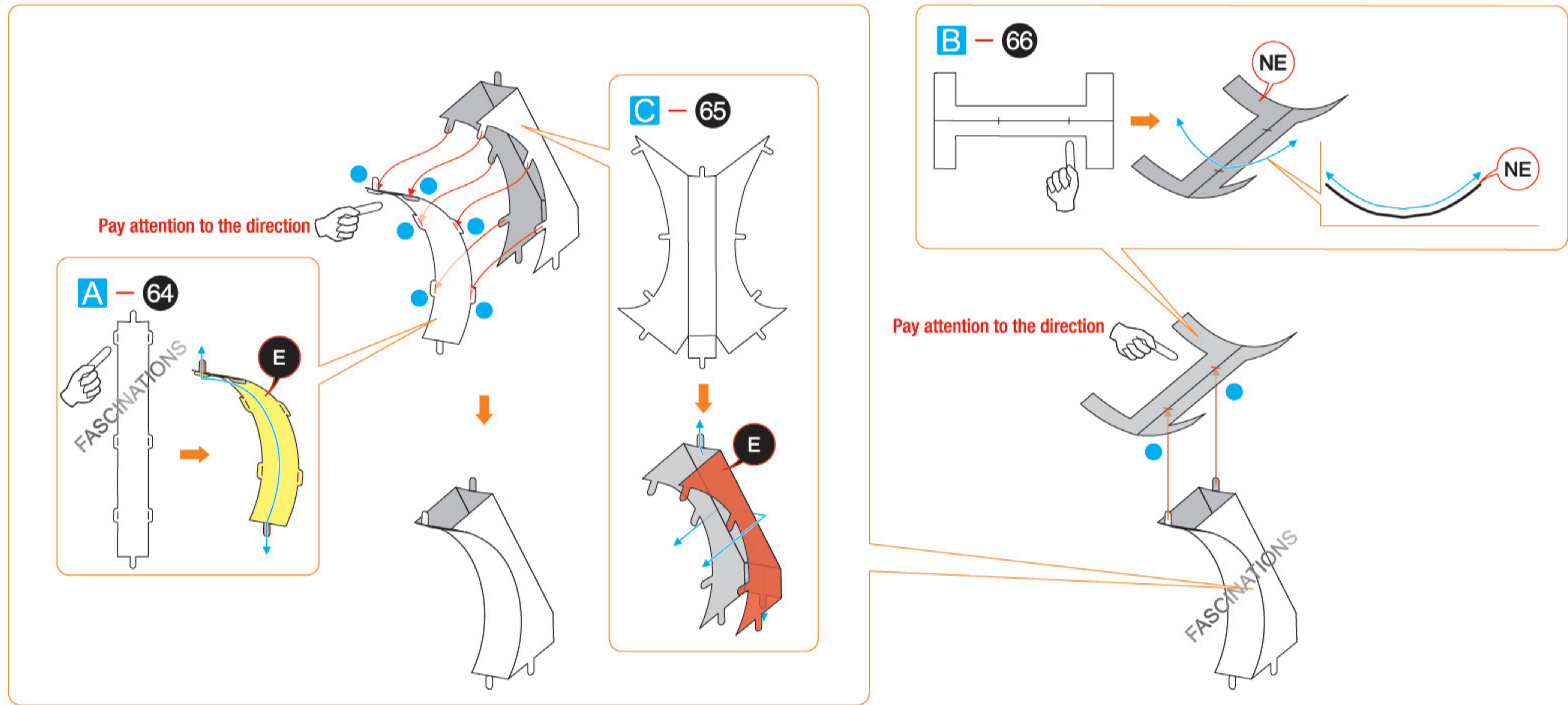


Step 14





Step 15



Step 16

