

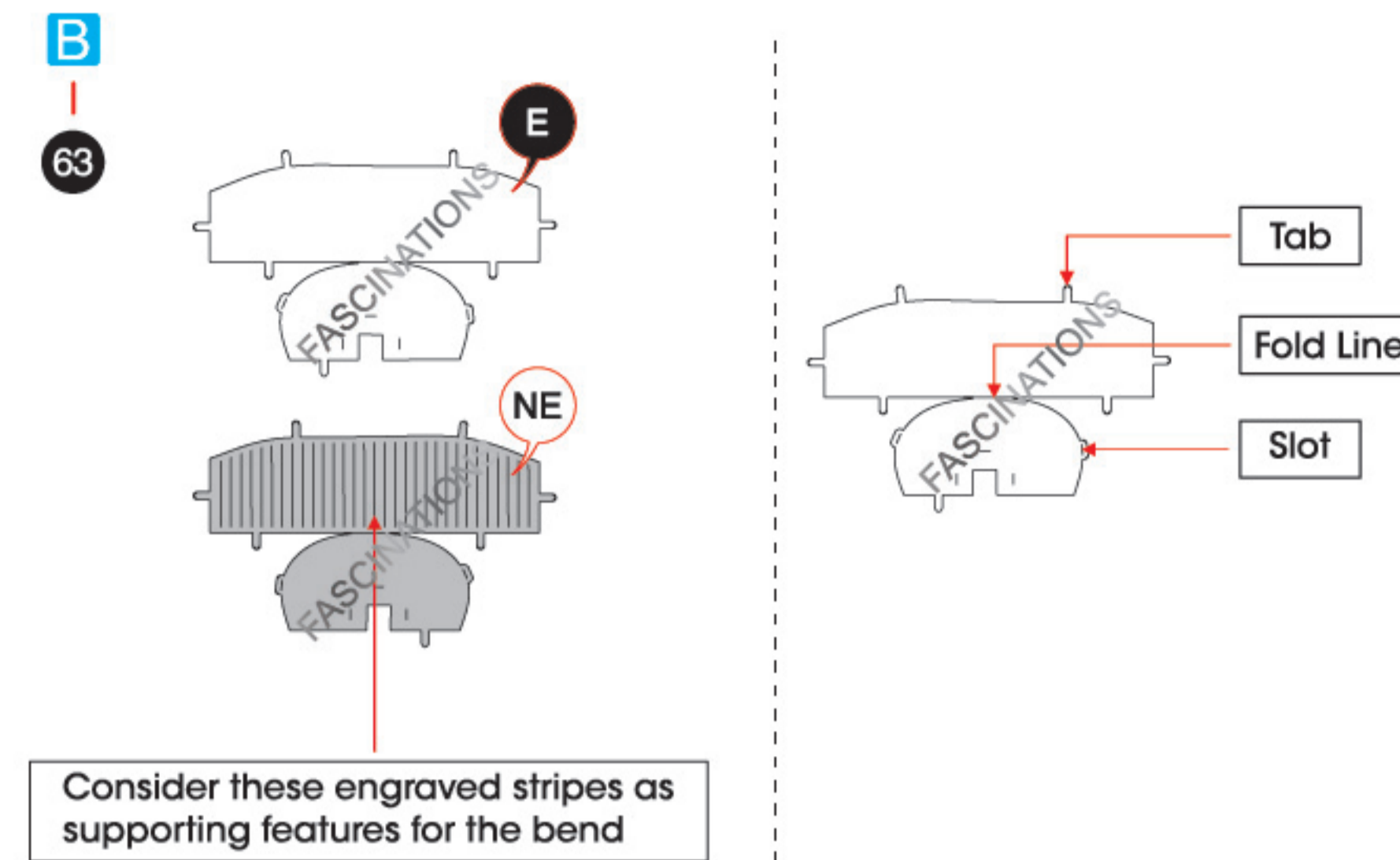
OFFICIAL LICENSED PRODUCT

## 1967 CHEVY IMPALA ME1048

It is highly recommended that you visit [www.metalearth.com/360/ME1048](http://www.metalearth.com/360/ME1048) to see the completed model before assembling your own



### TO CREATE THE BEST CONNECTIONS



#### Legends:

- E** Engraved/ Color side
- NE** Non - engraved/ Silver side
- Attention point
- Insert tab and bend 90 degrees
- Insert tab and twist 90 degrees

#### Recommended tools:

- Wire cutters: helpful for taking parts from the metal sheets.

- Tweezers or needle nose pliers: helpful for folding parts, bending and twisting tabs.

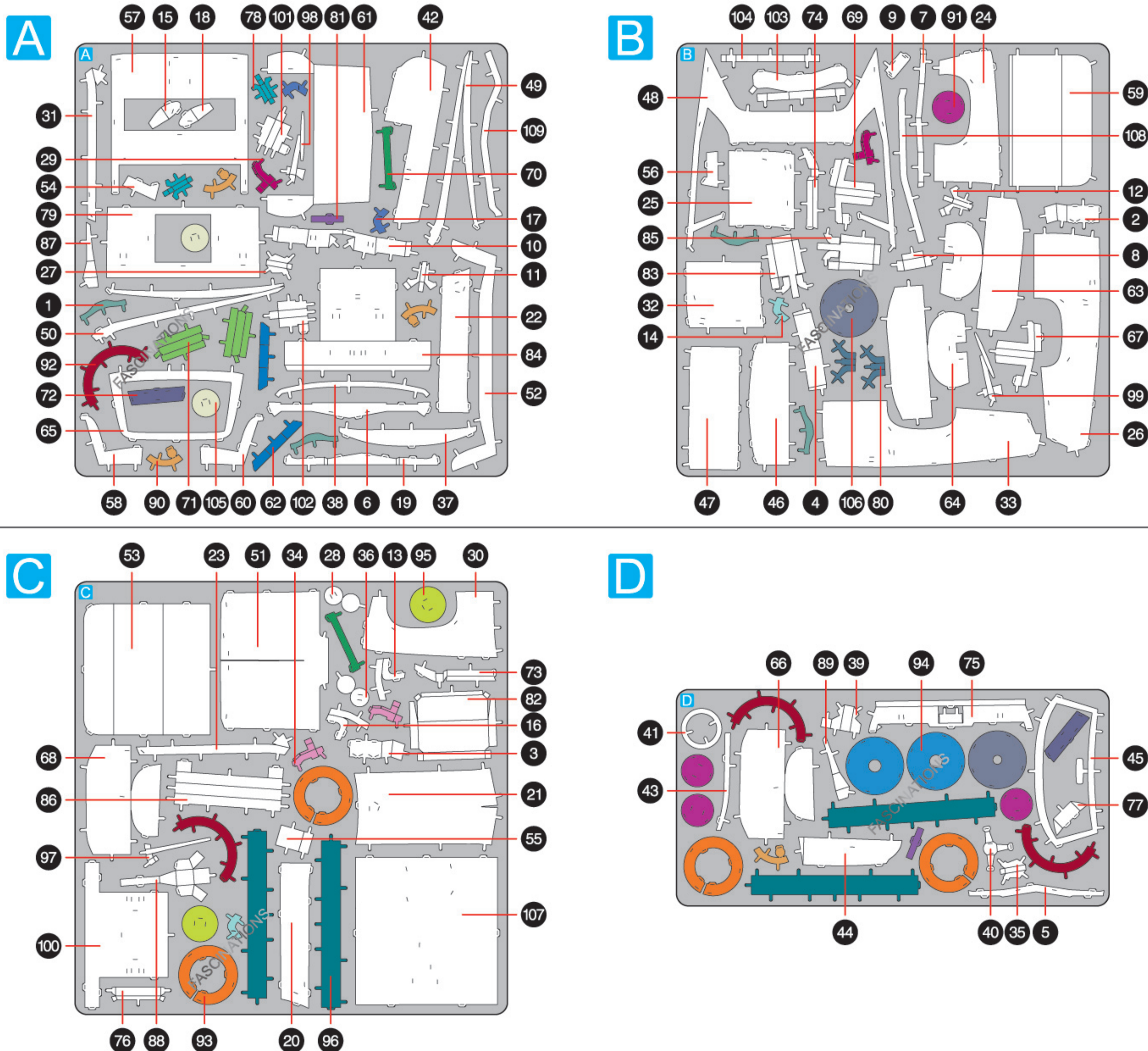
#### Assembly tip:

If needed, slightly twist tabs to hold parts together then untwist and bend them down for a nice finish.

- Yellow areas should be curled
- Red areas should be folded

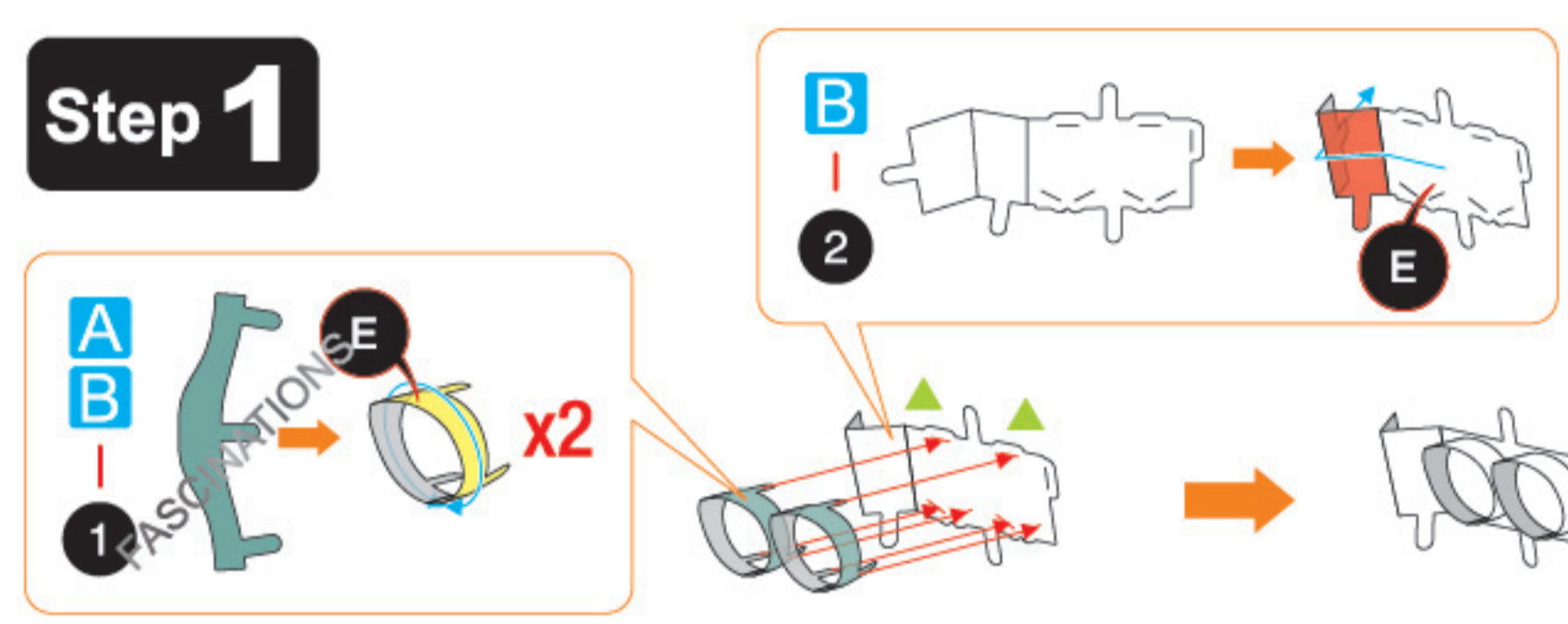
### METAL SHEETS

Parts with same color are duplicates

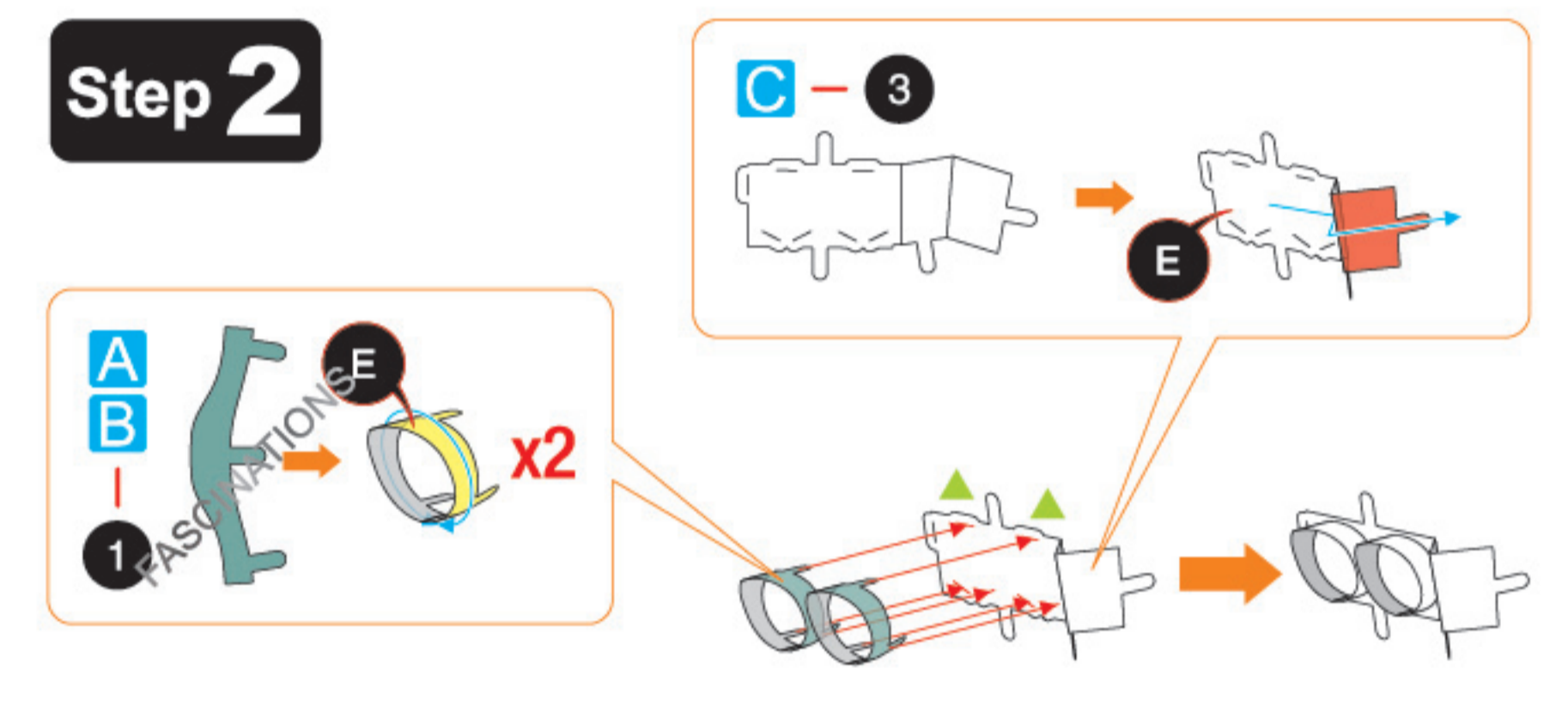


### ASSEMBLY FLOW CHART

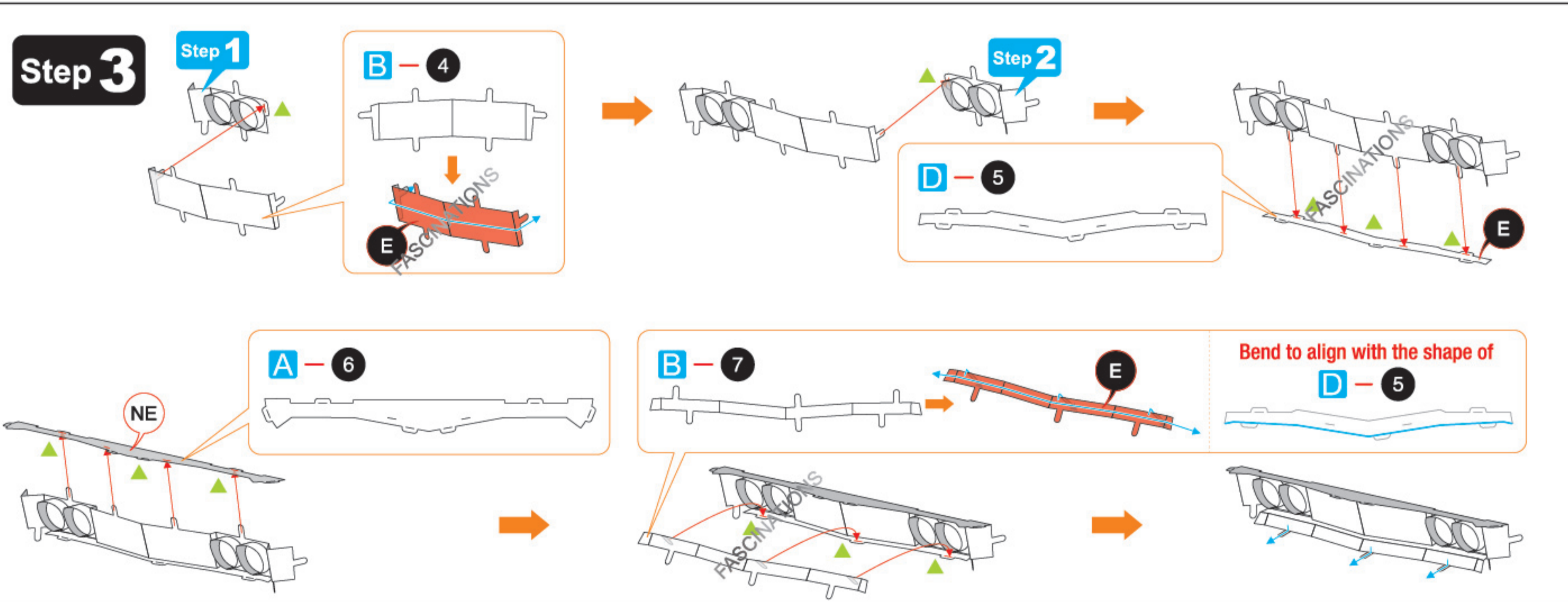
#### Step 1



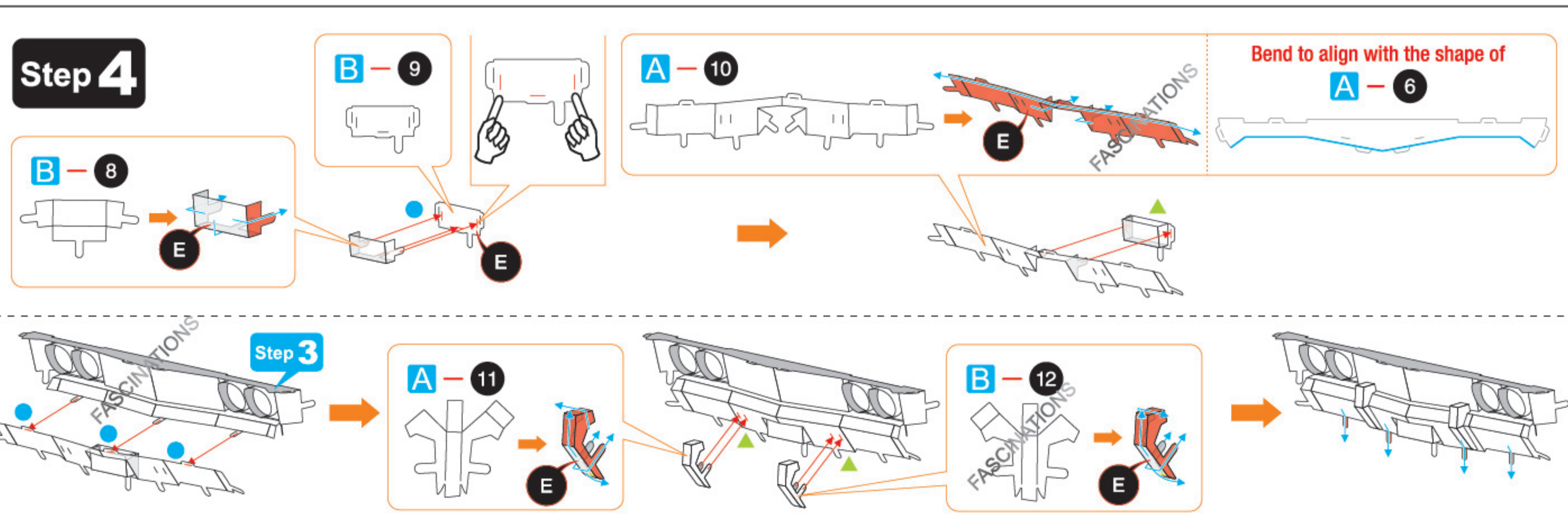
#### Step 2



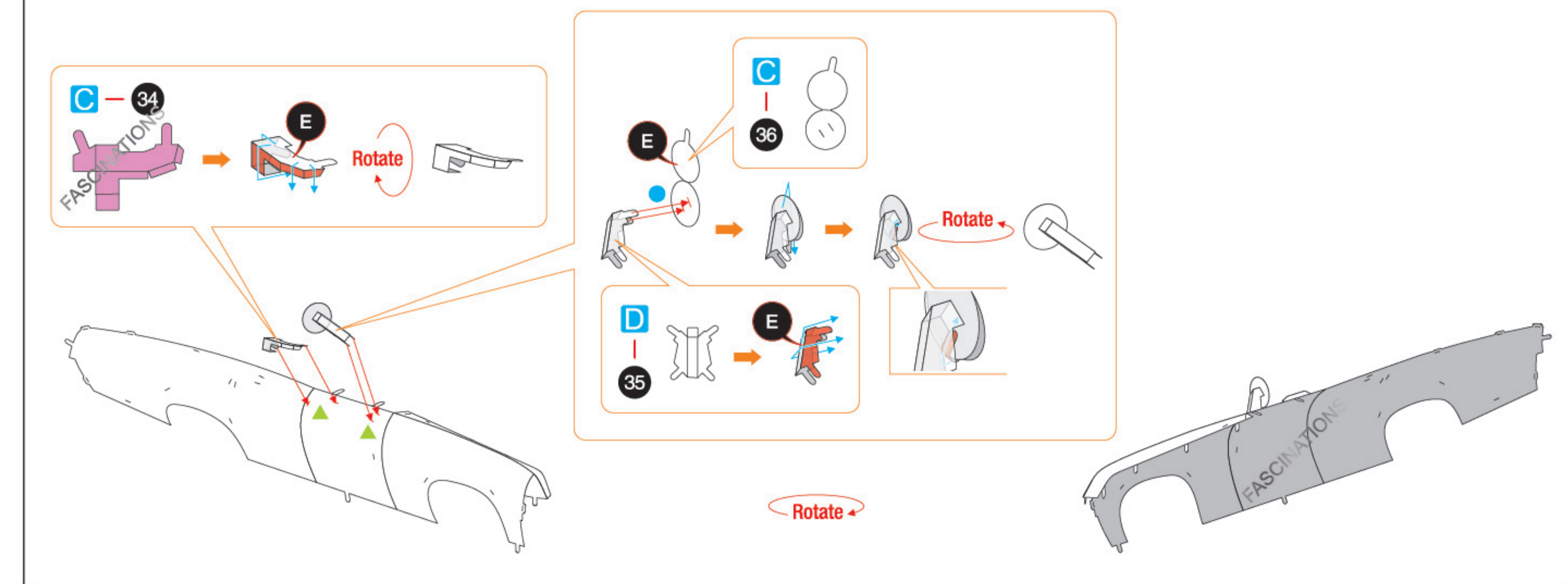
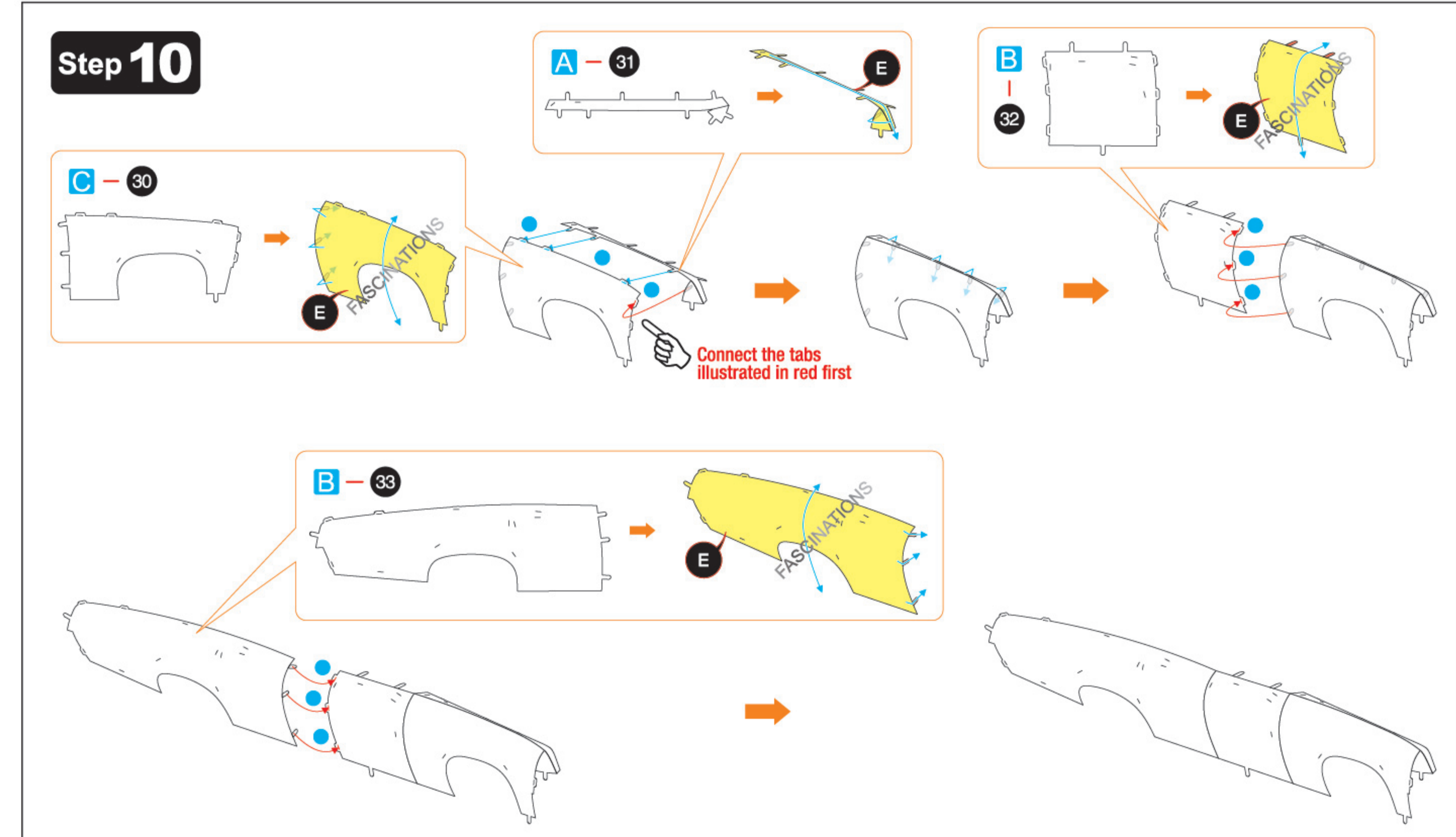
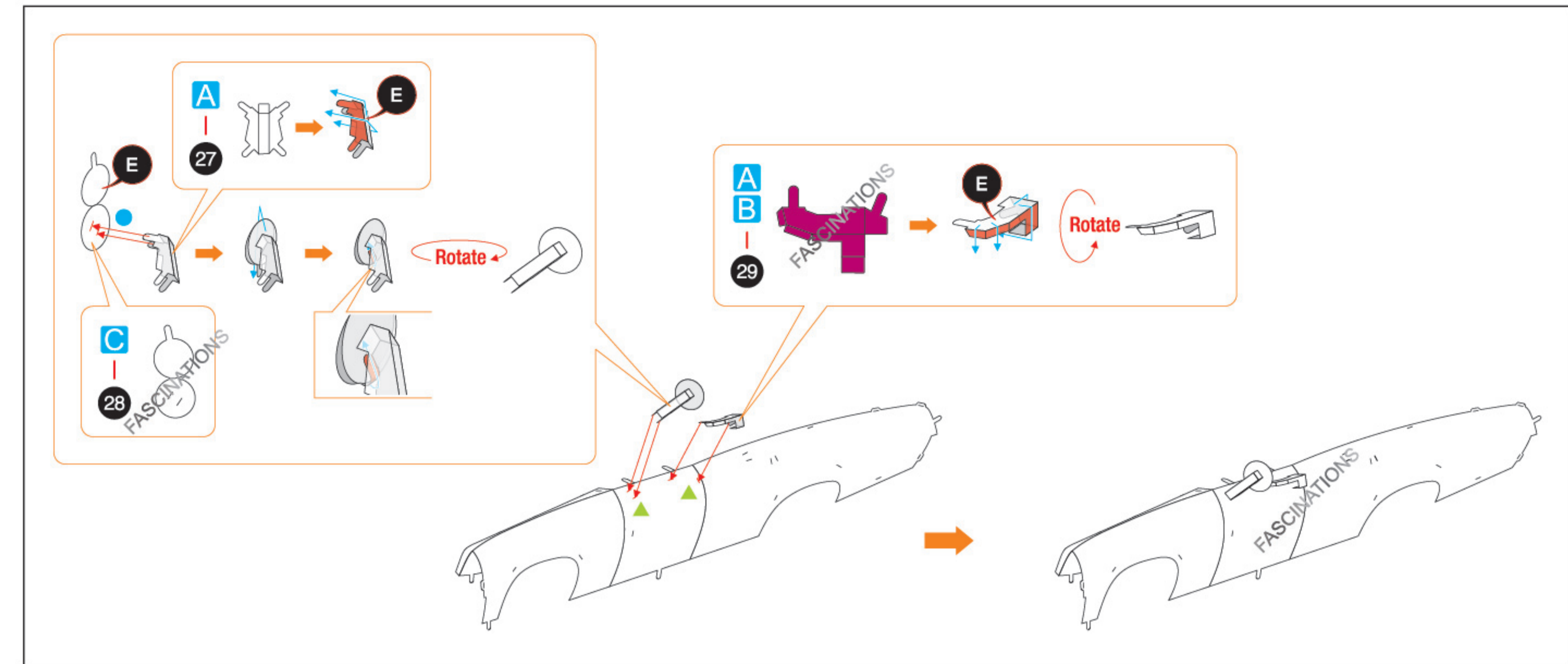
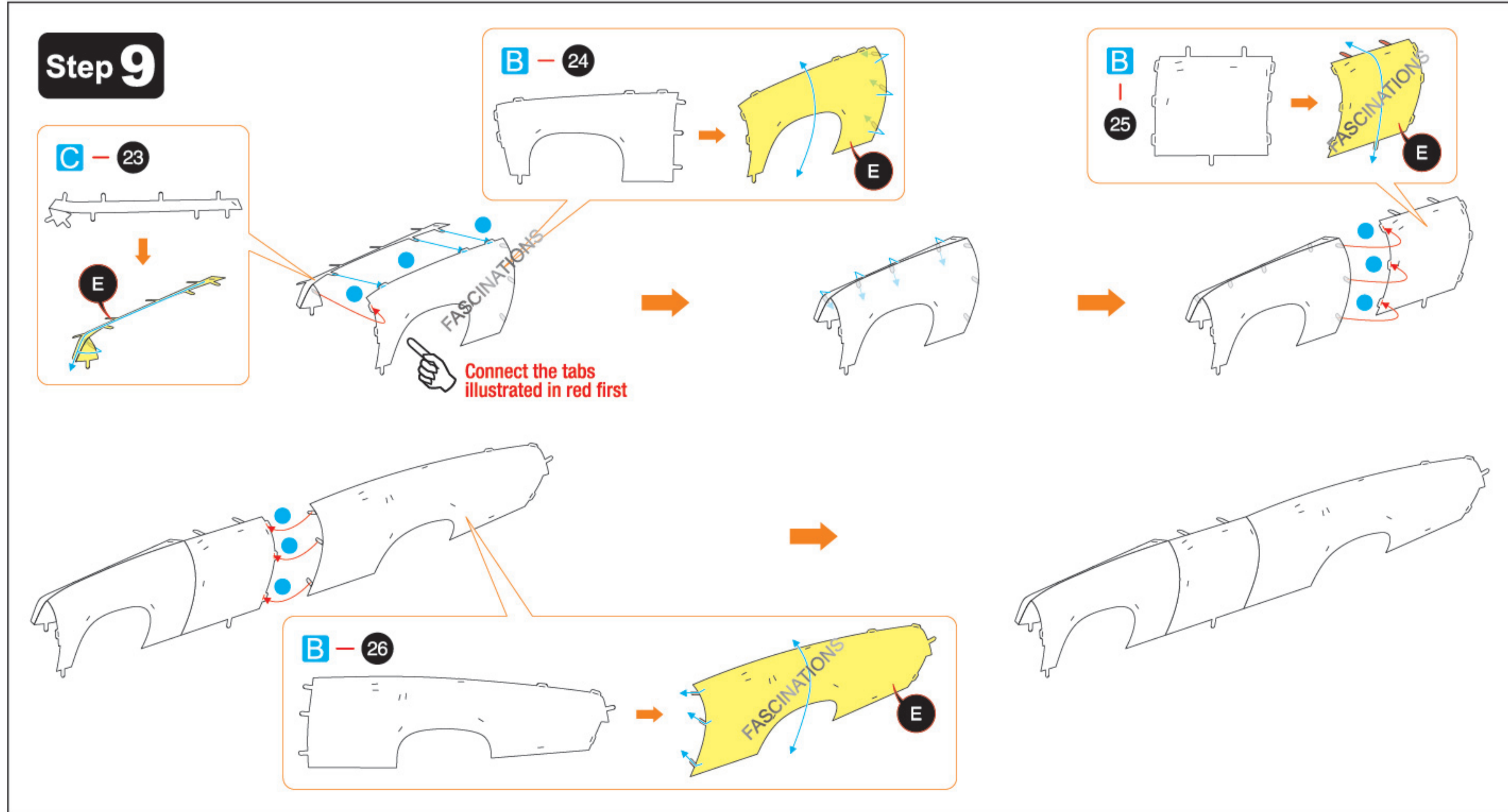
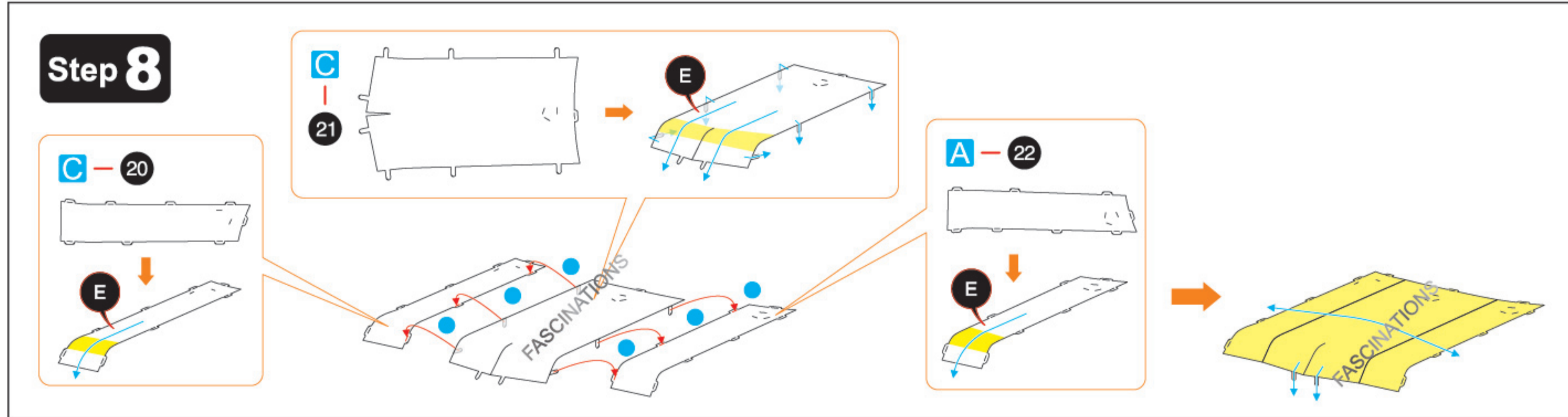
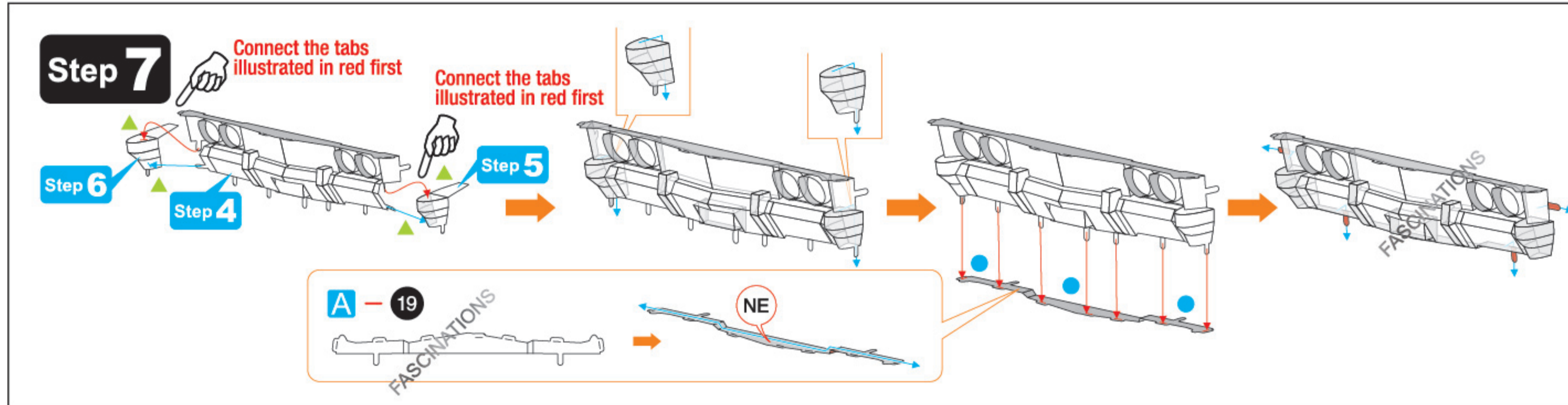
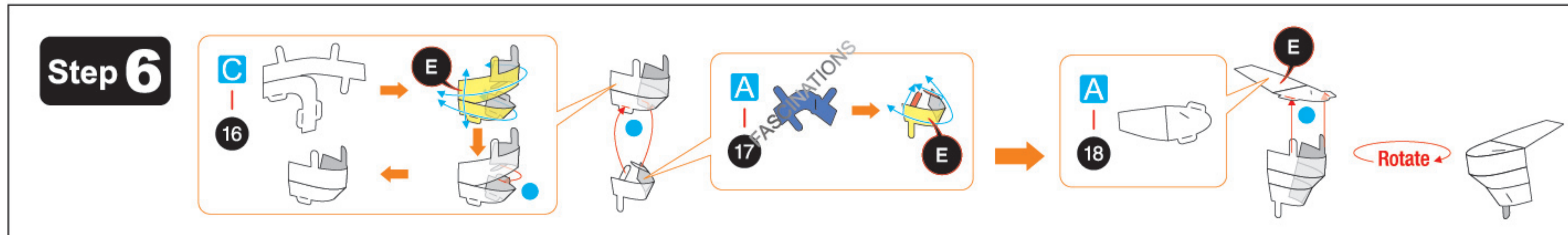
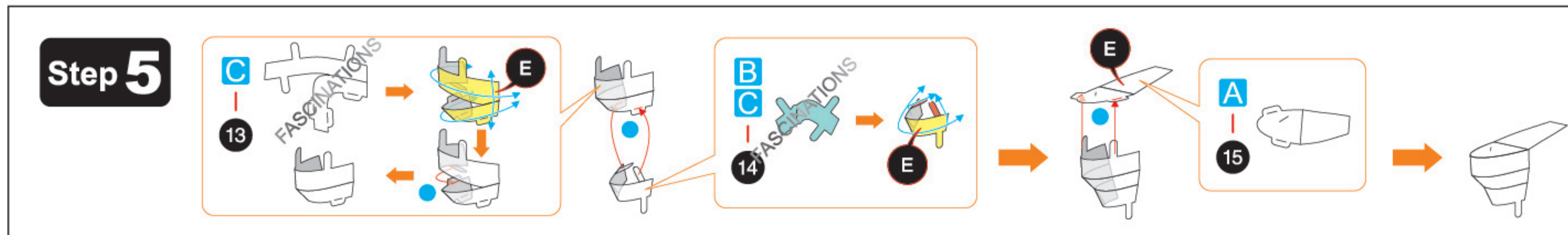
#### Step 3



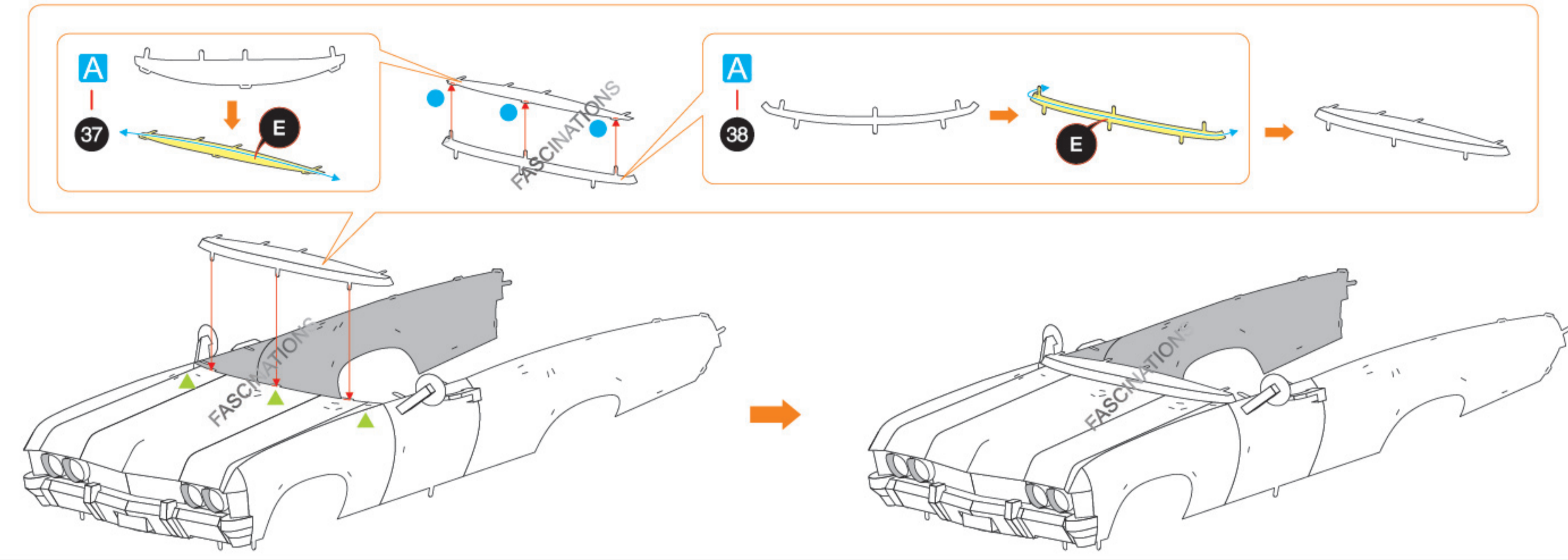
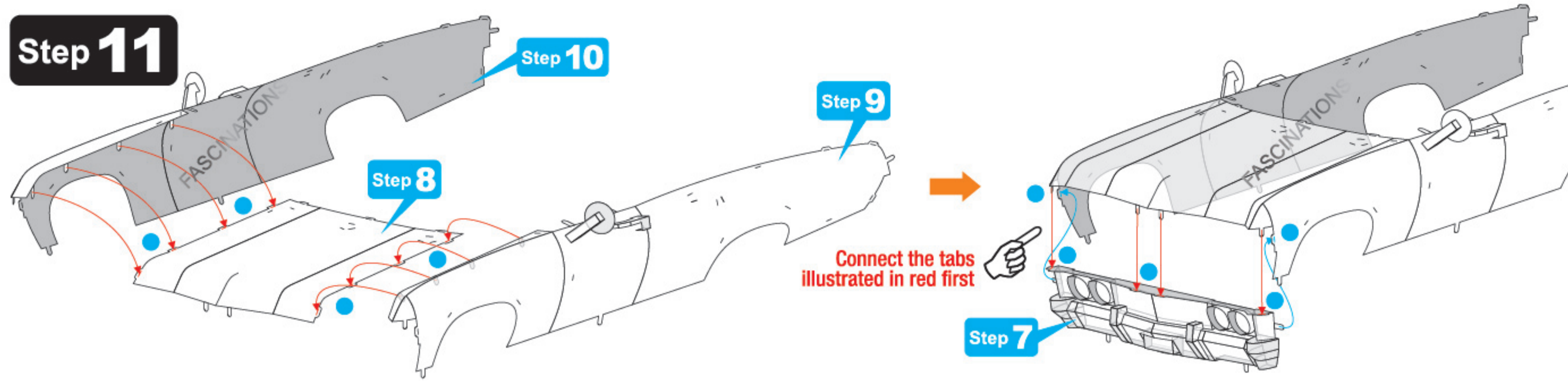
#### Step 4



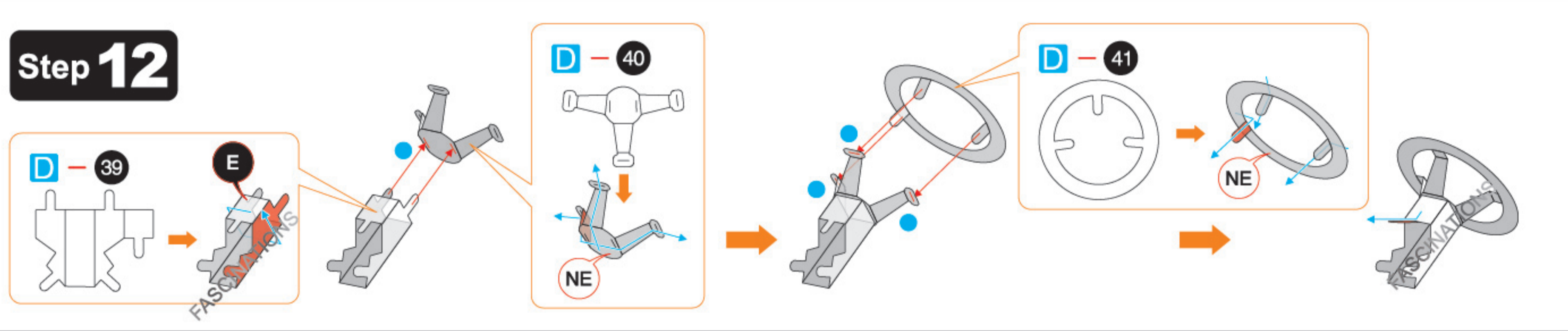
In order to avoid possible injury from sharp edges, please carefully discard the metal sheets after parts have been removed.



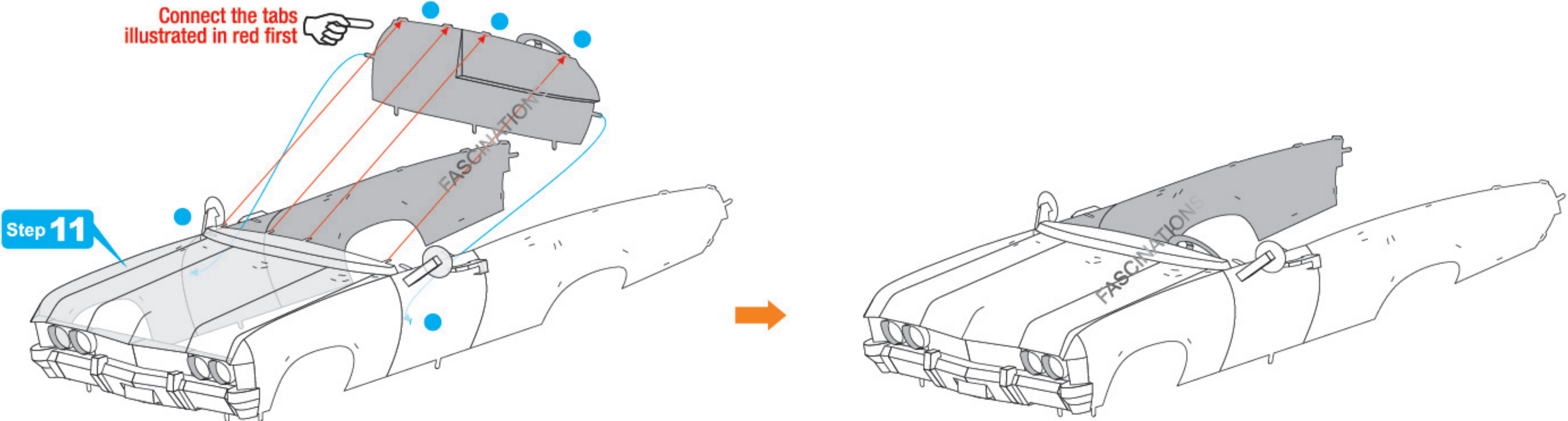
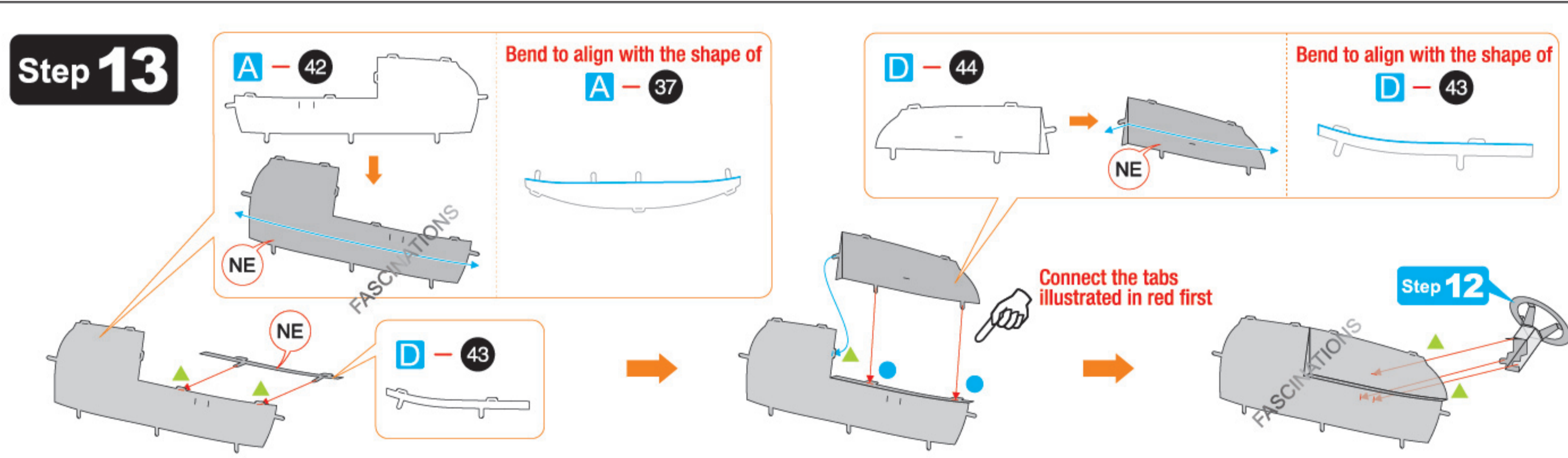
Step 11



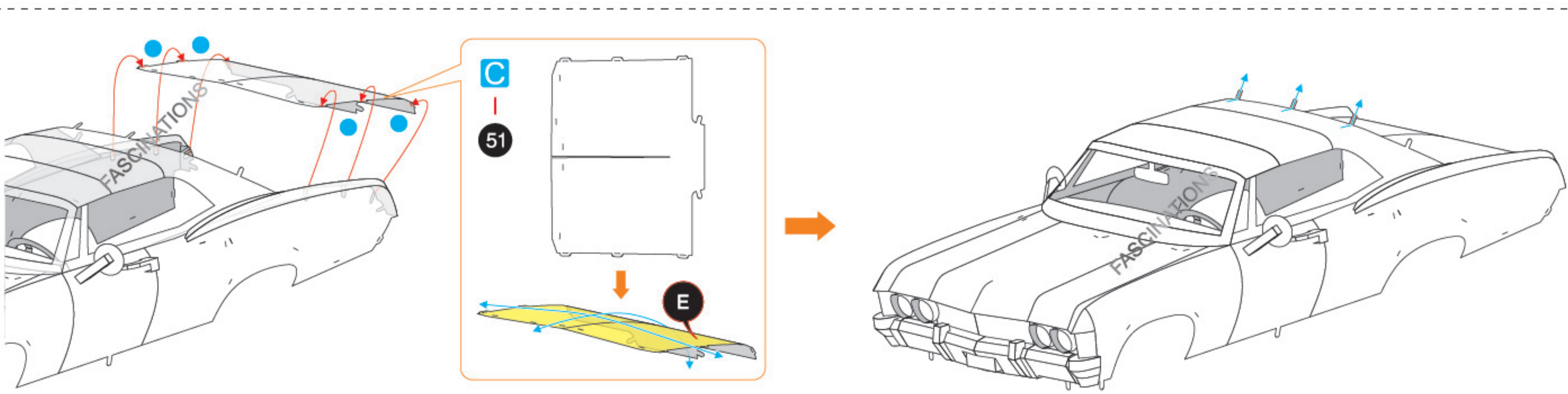
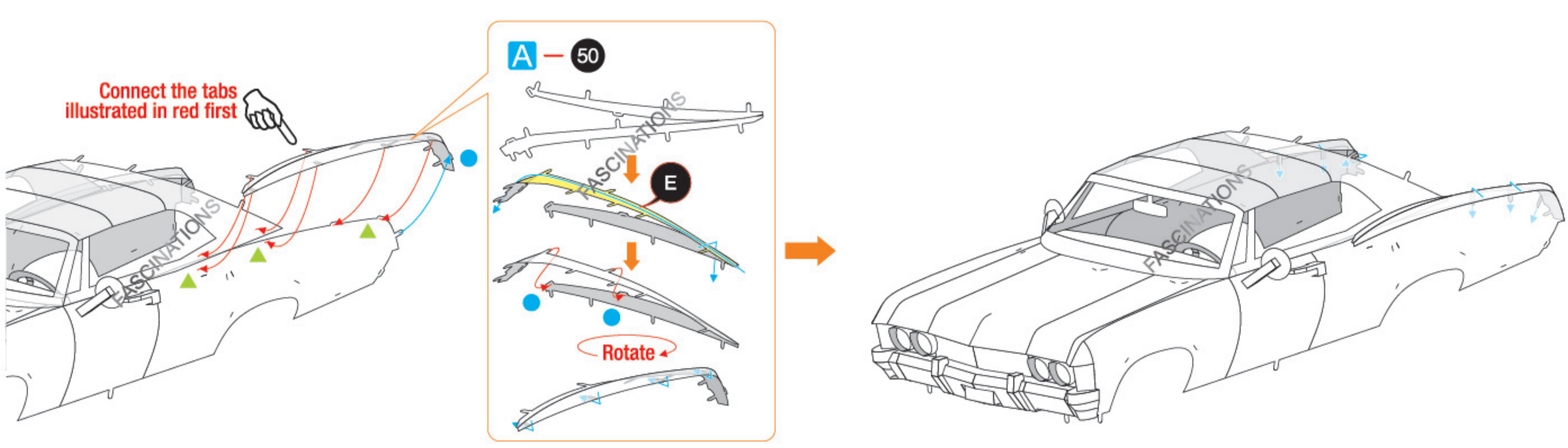
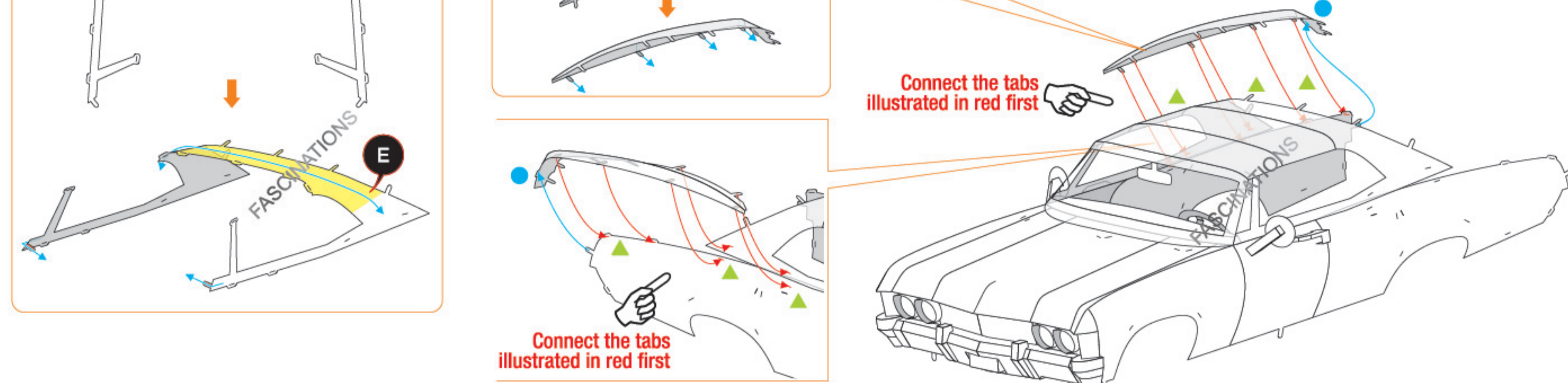
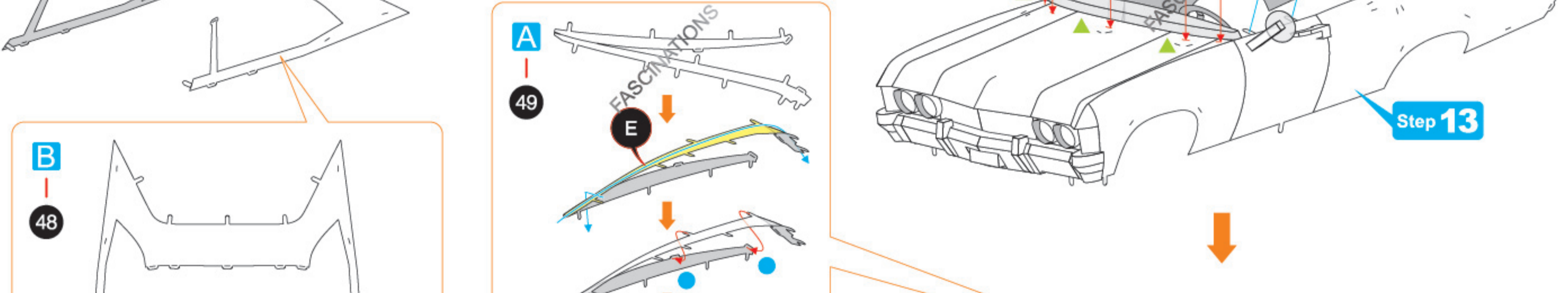
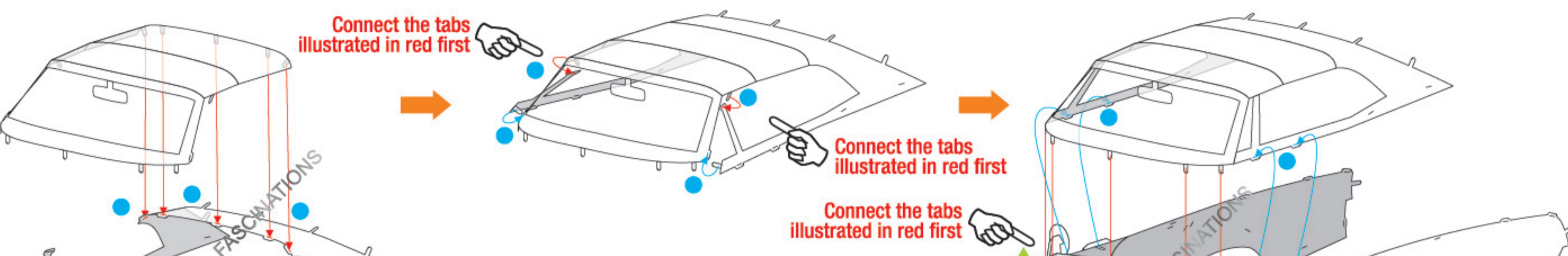
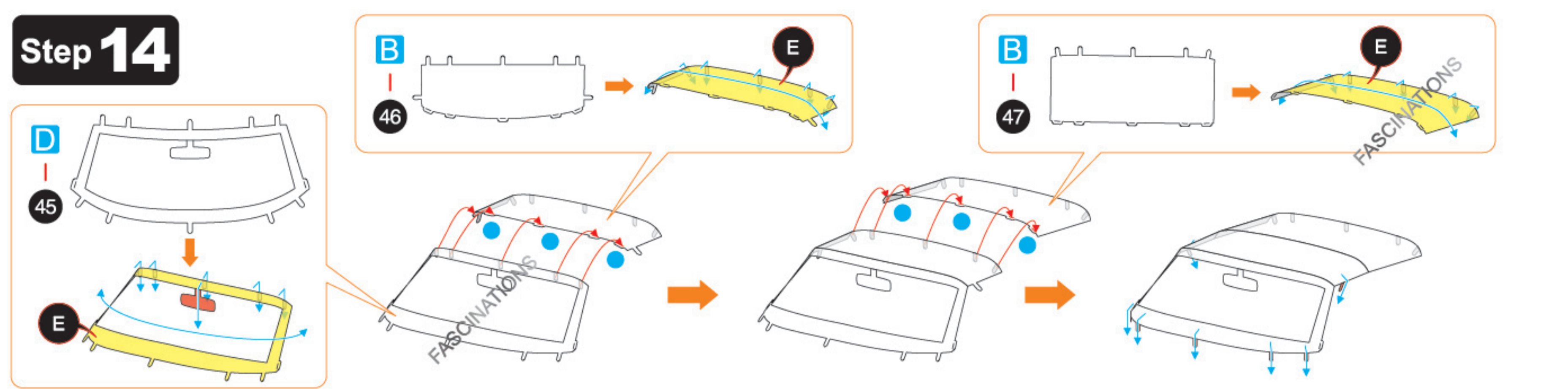
Step 12



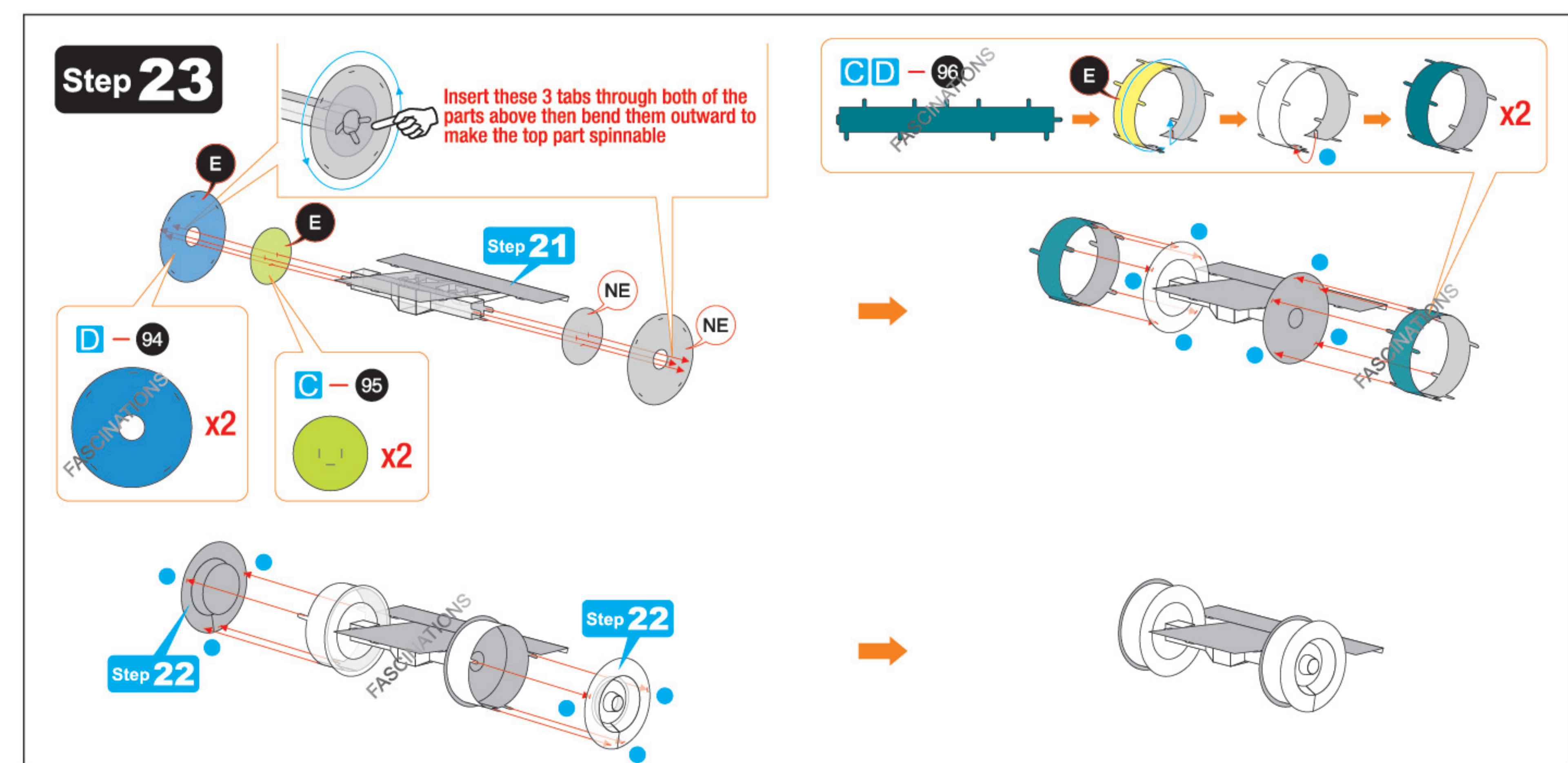
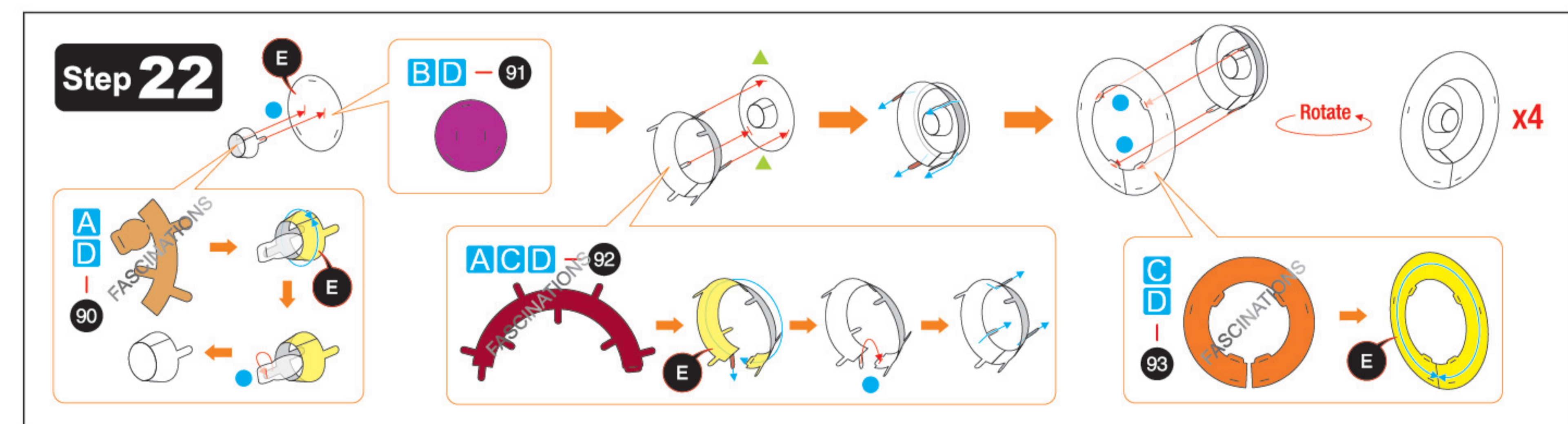
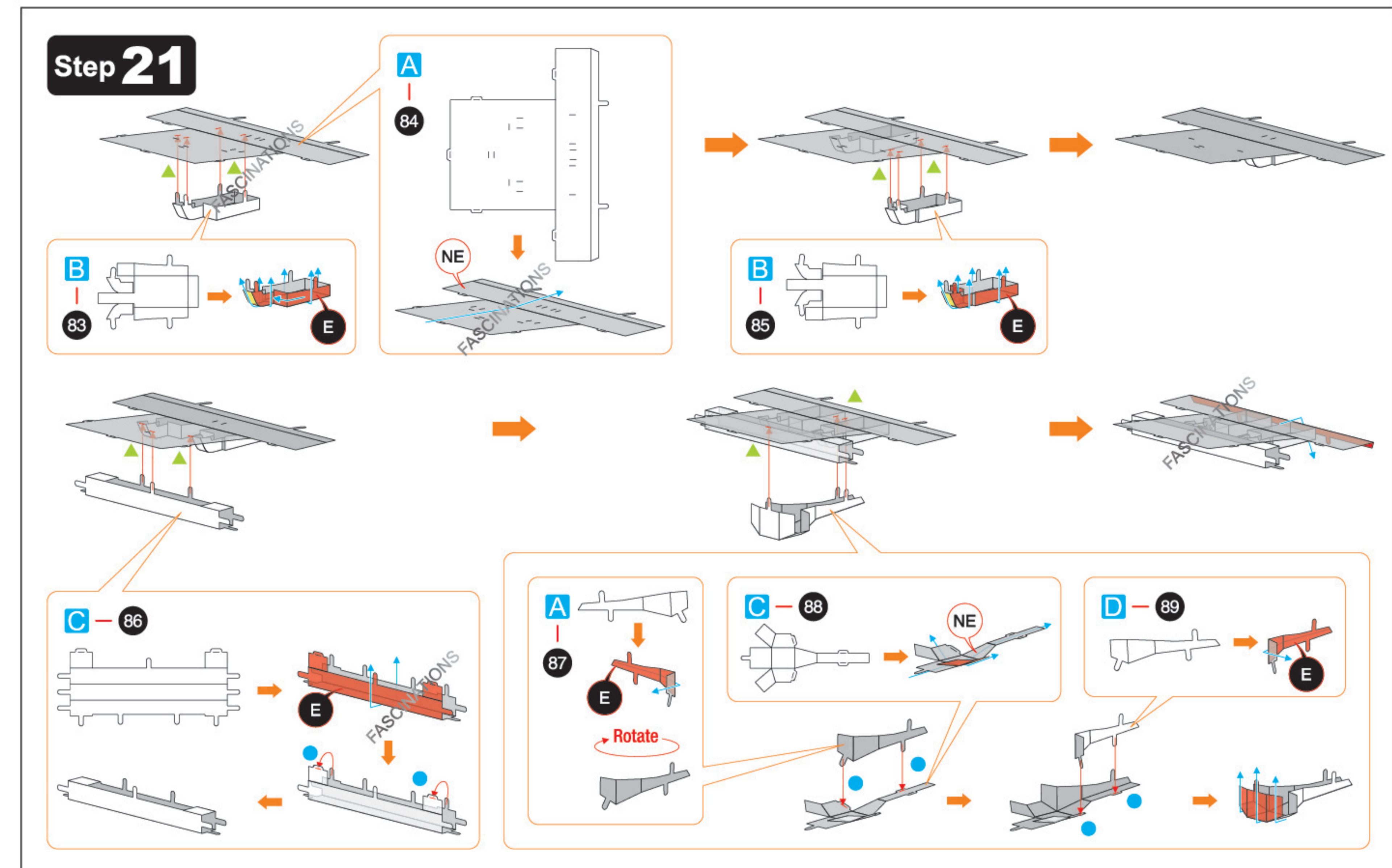
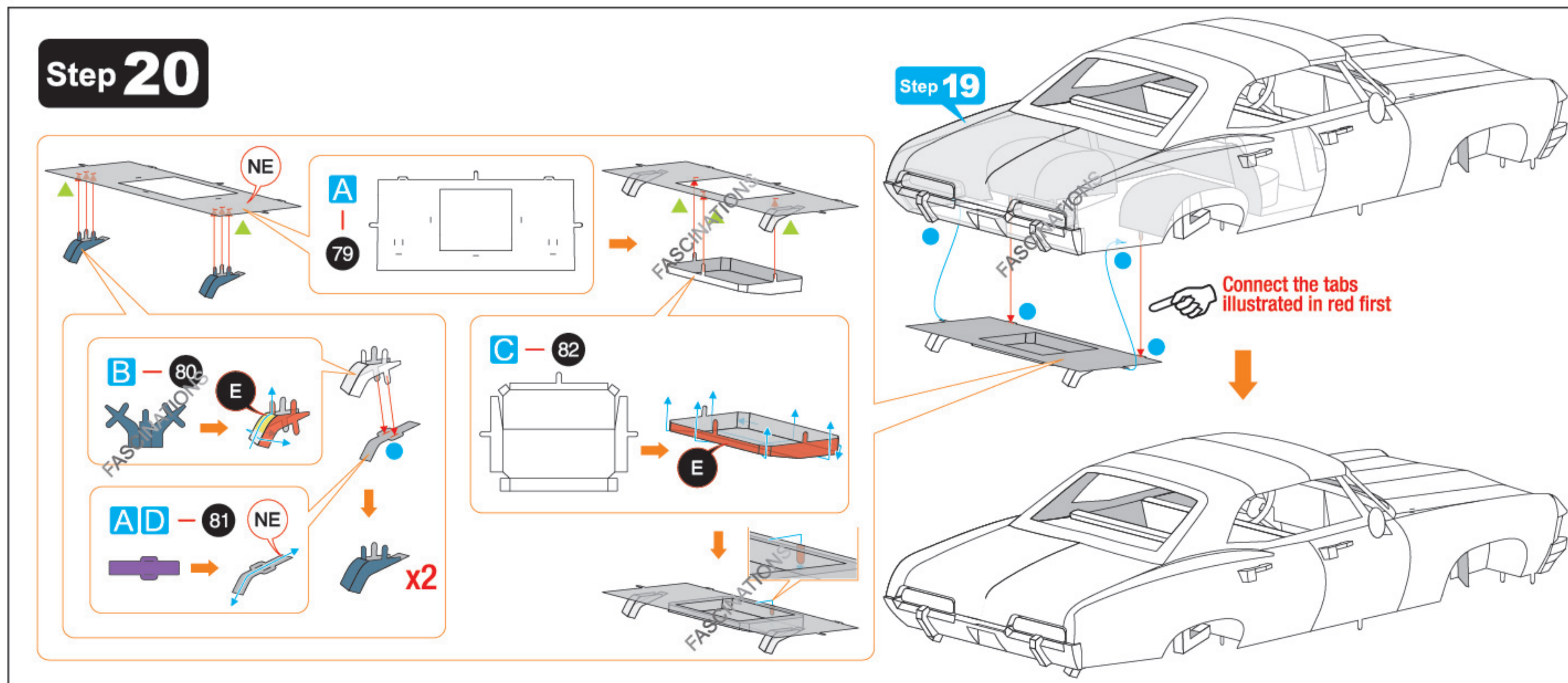
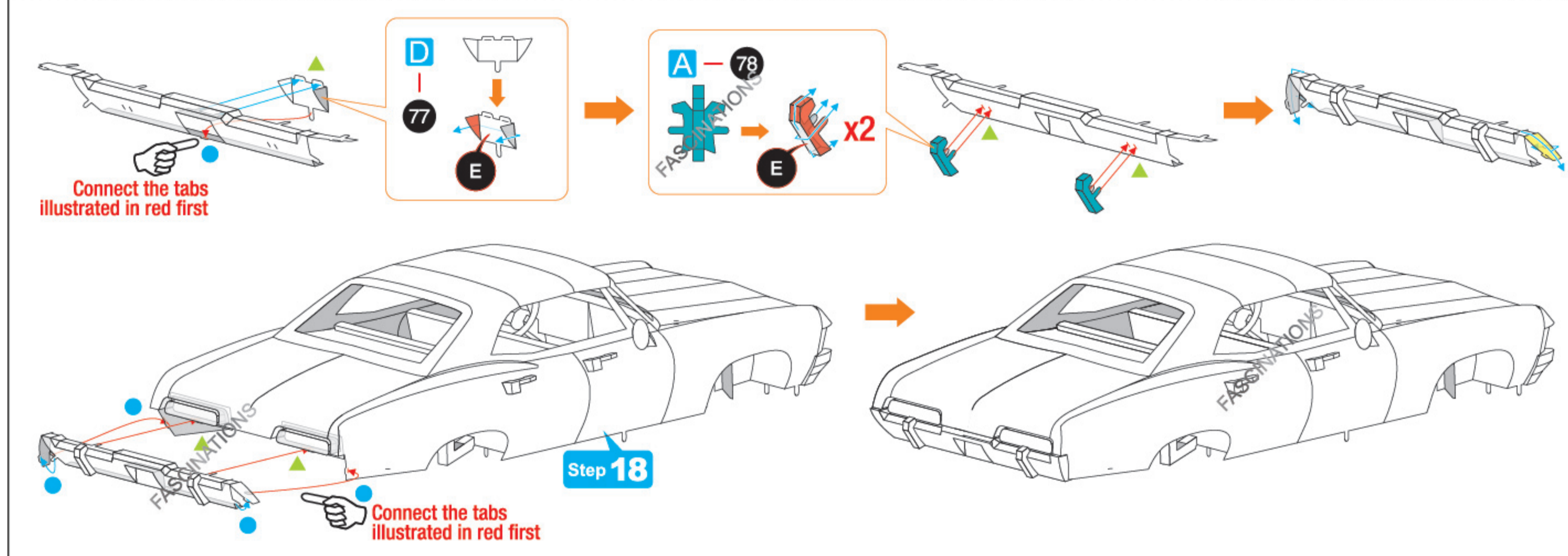
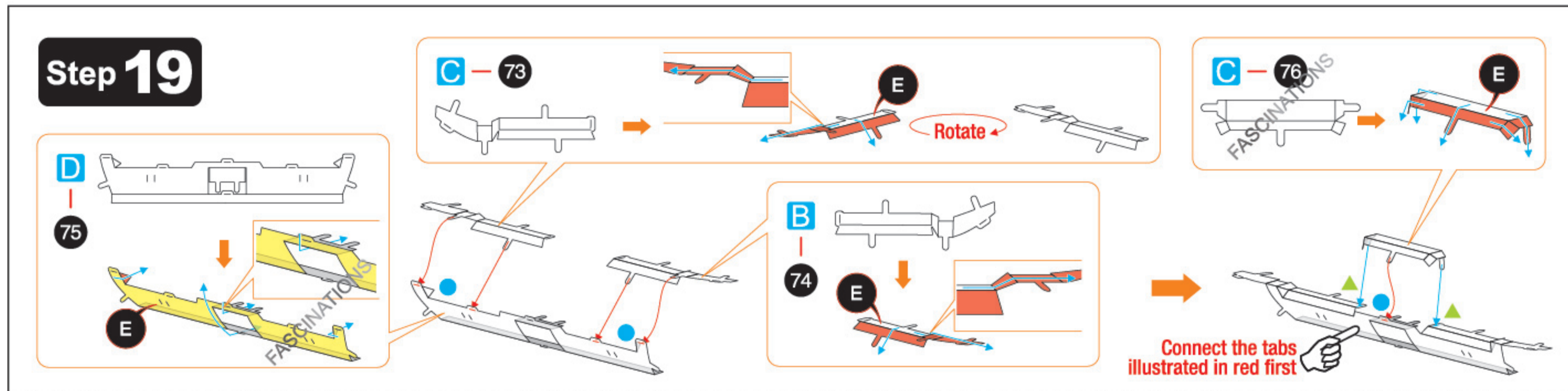
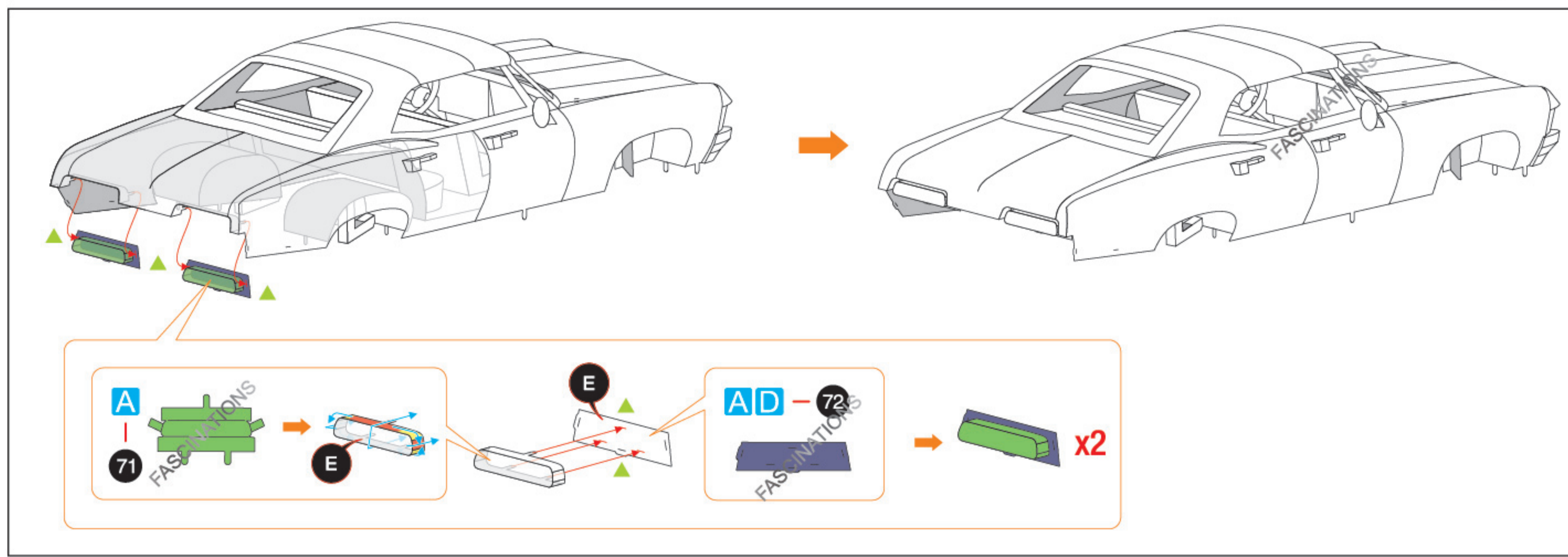
Step 13



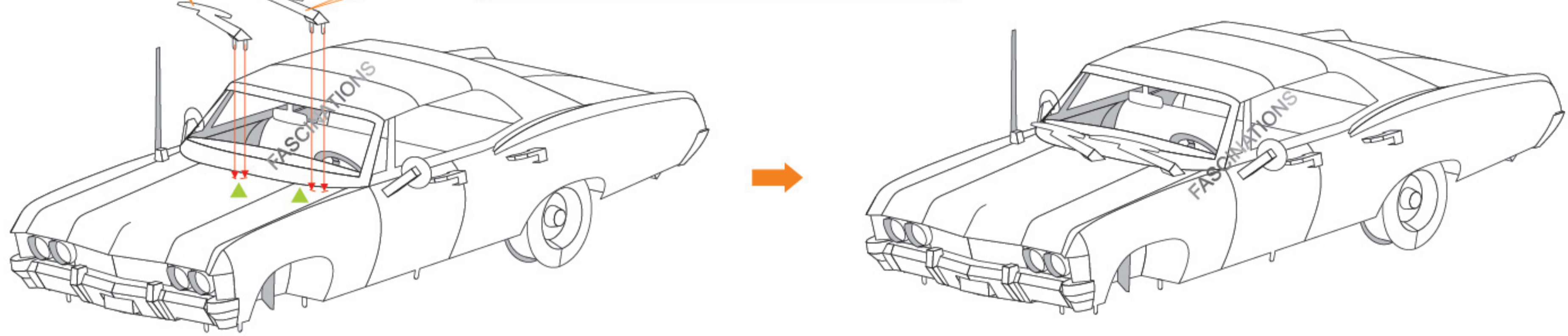
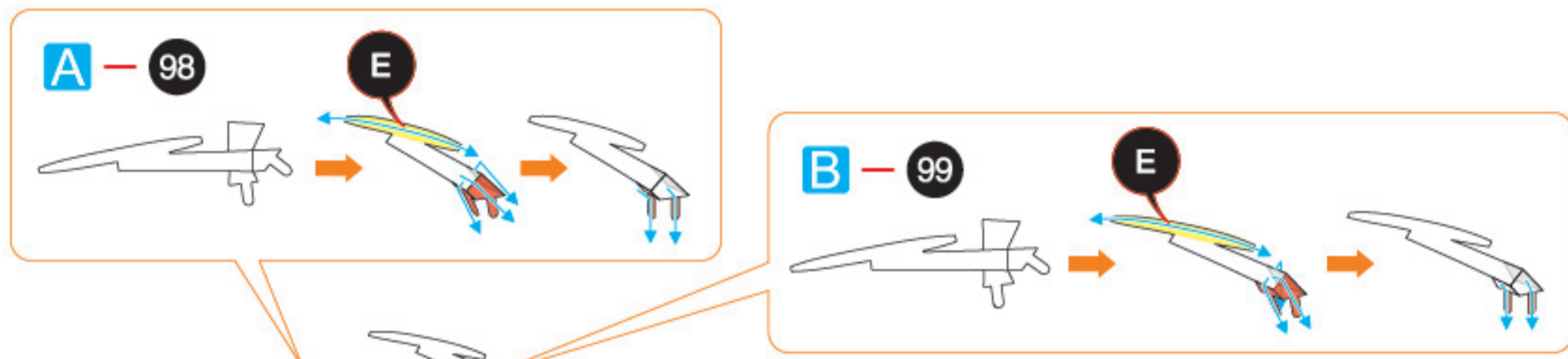
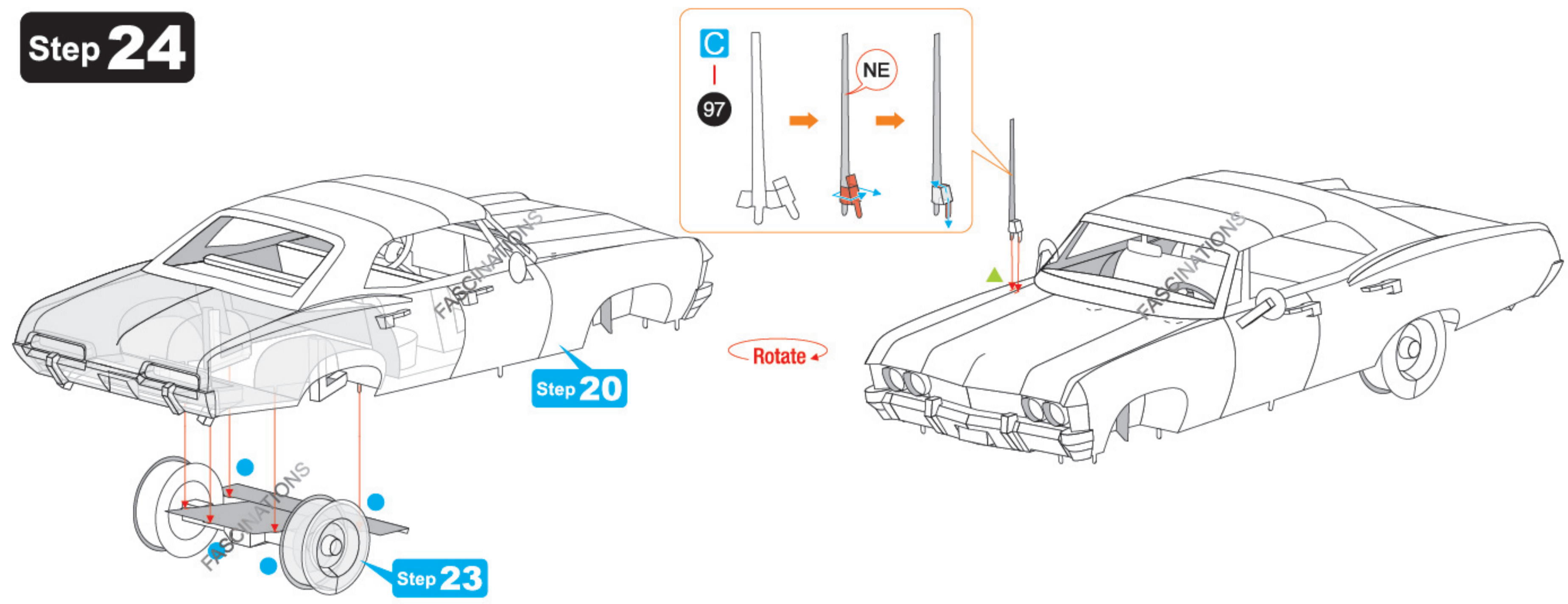
Step 14



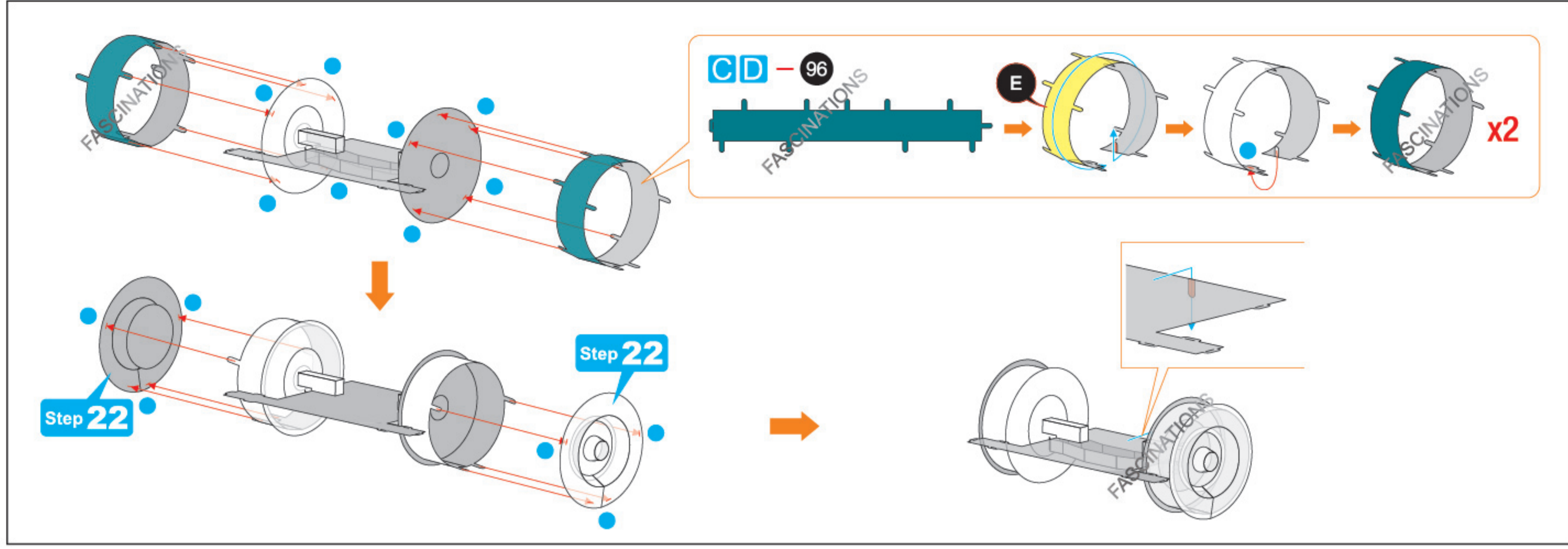
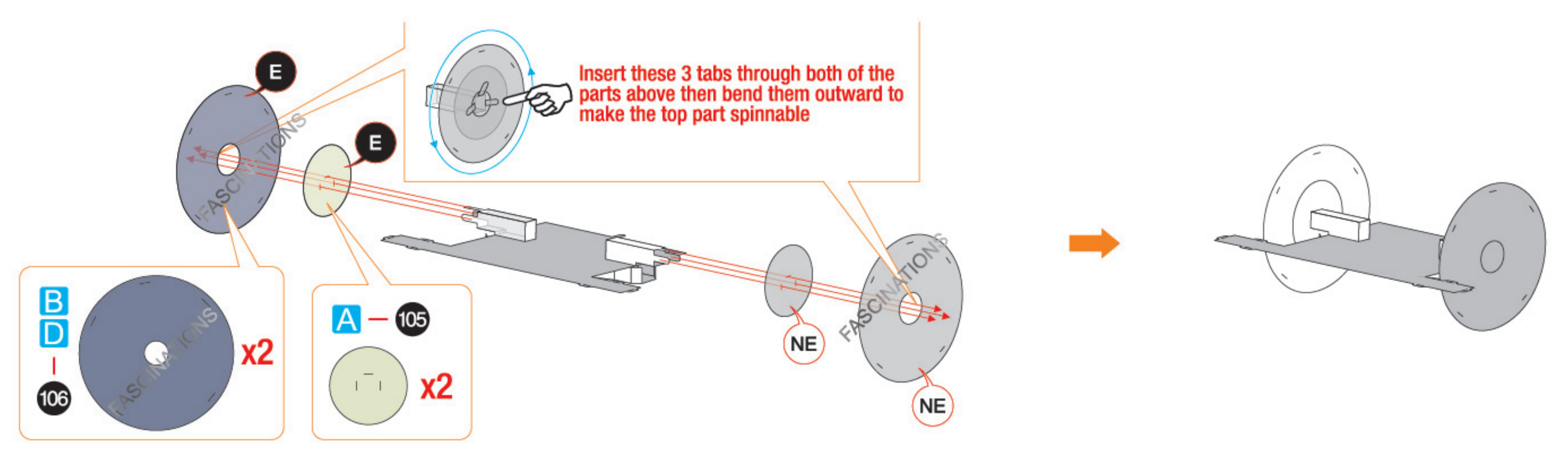
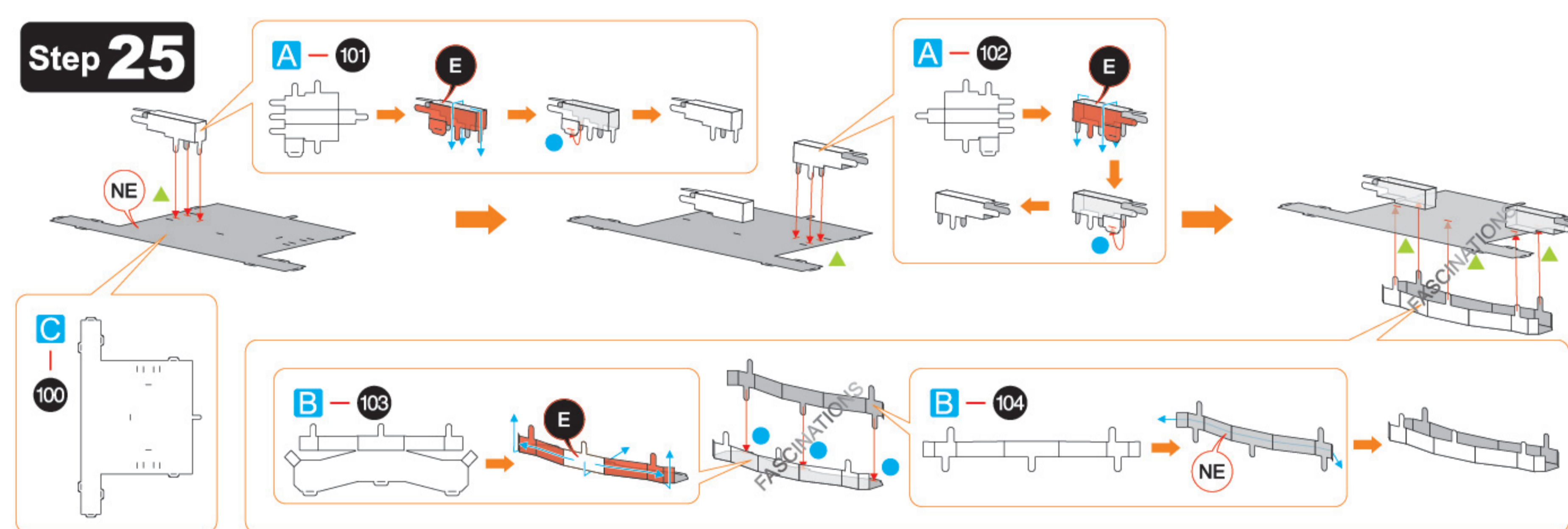




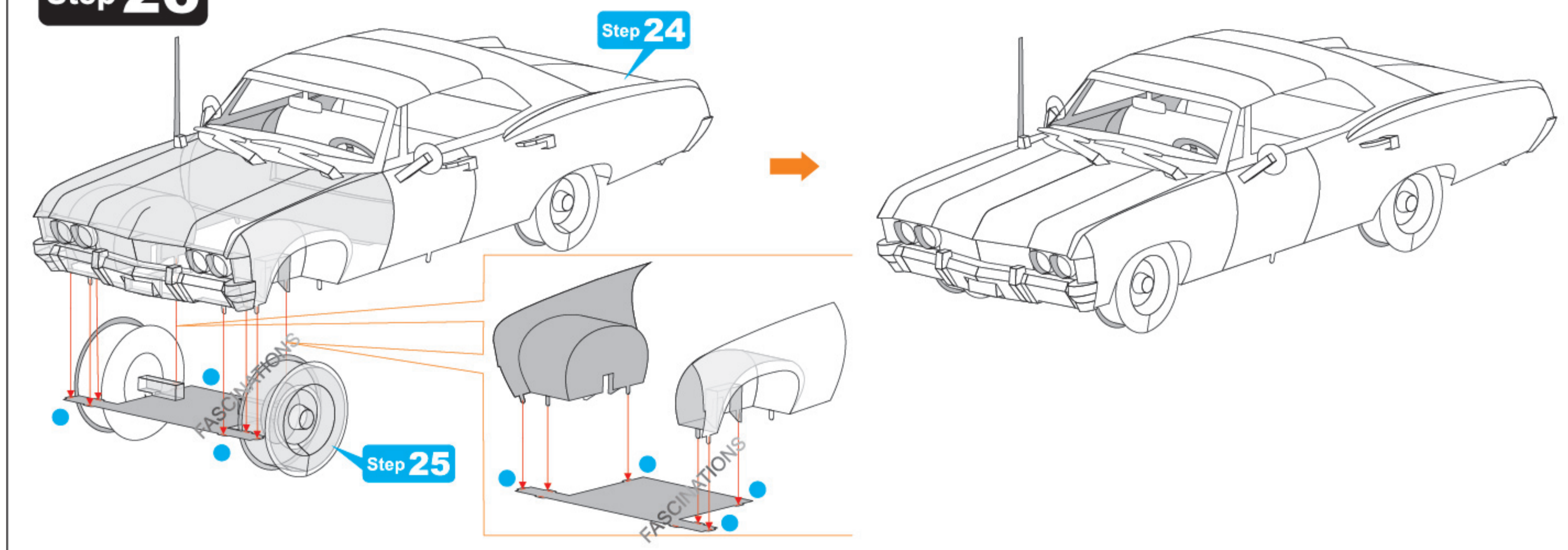
### Step 24



### Step 25



### Step 26



### Step 27

