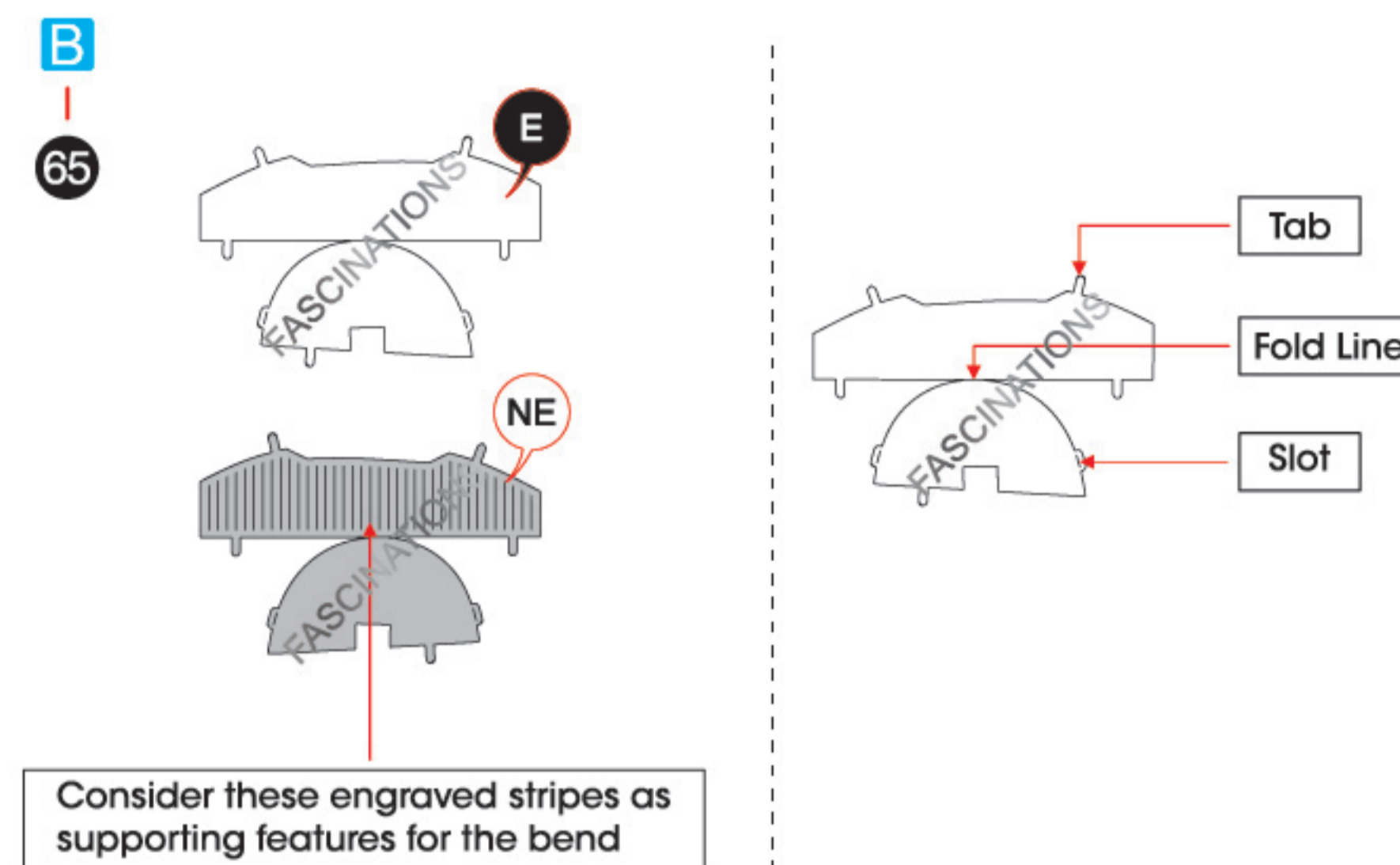


1968 Z/28 CAMARO ME1052

It is highly recommended that you visit www.metalearth.com/360/ME1052 to see the completed model before assembling your own



TO CREATE THE BEST CONNECTIONS



Legends:

- E** Engraved/ Color side
- NE** Non - engraved/ Silver side
- Attention point
- Insert tab and bend 90 degrees
- Insert tab and twist 90 degrees

Recommended tools:

- Wire cutters: helpful for taking parts from the metal sheets.

- Tweezers or needle nose pliers: helpful for folding parts, bending and twisting tabs.

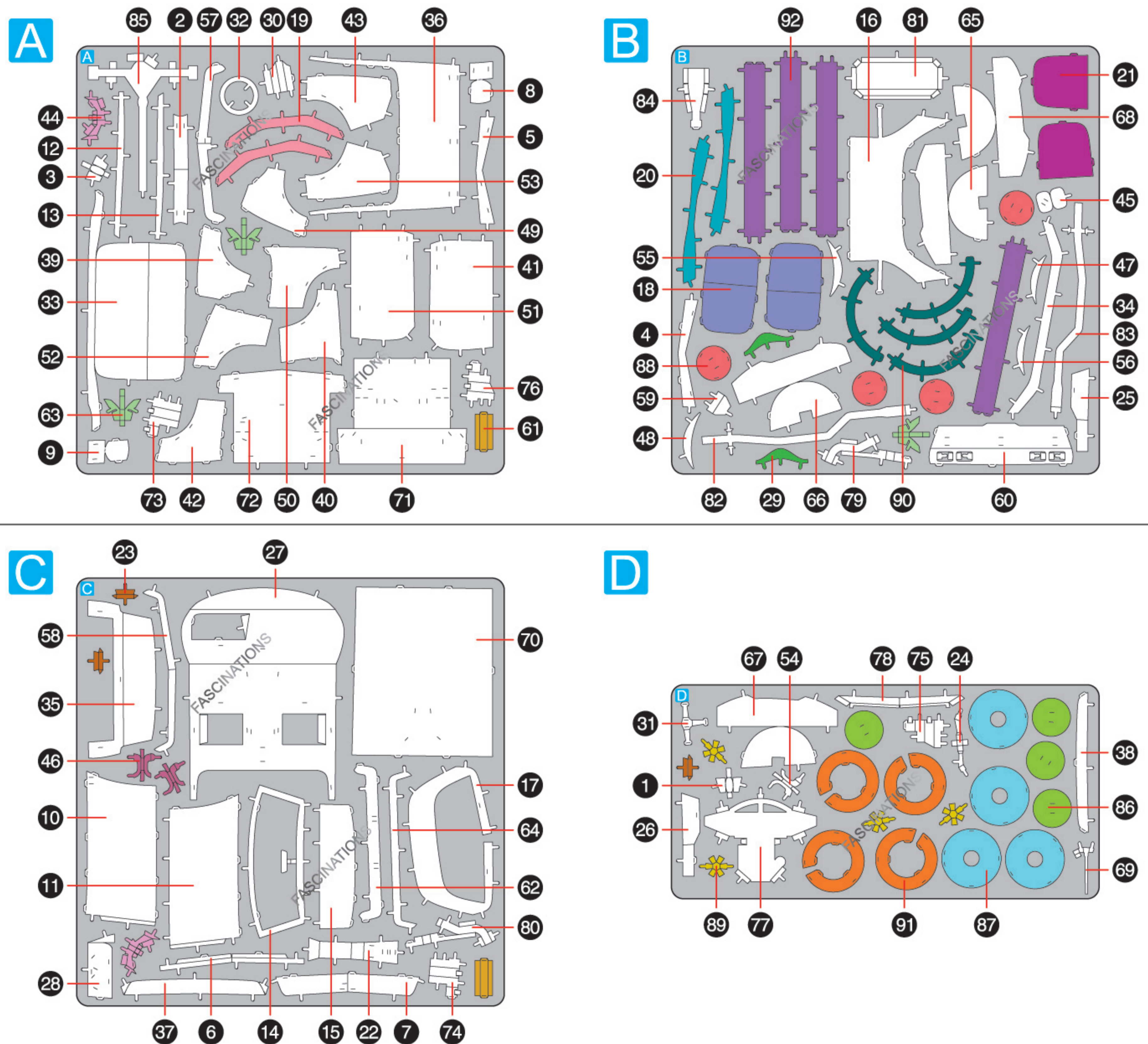
Assembly tip:

If needed, slightly twist tabs to hold parts together then untwist and bend them down for a nice finish.

Yellow areas should be curled

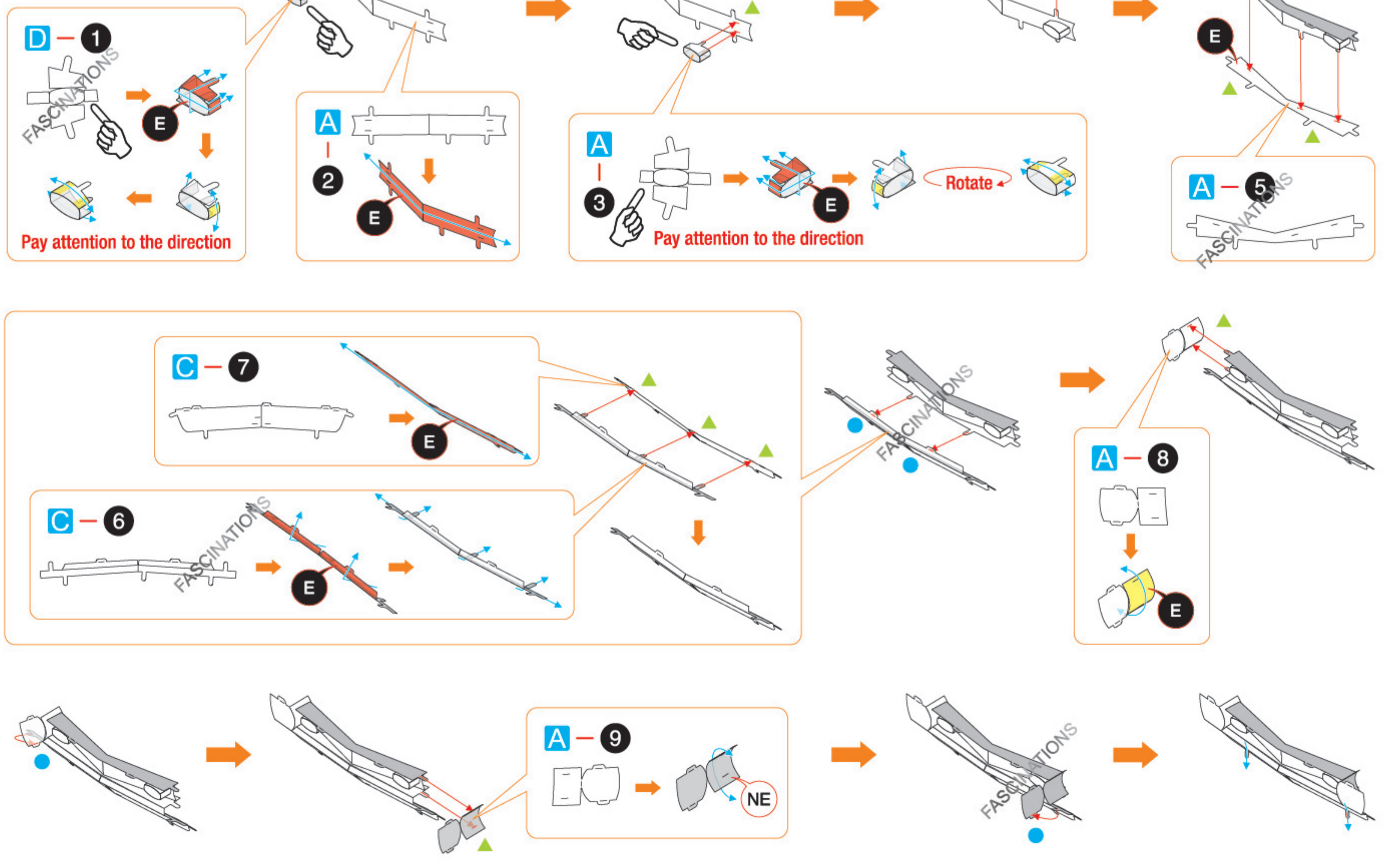
Red areas should be folded

METAL SHEETS

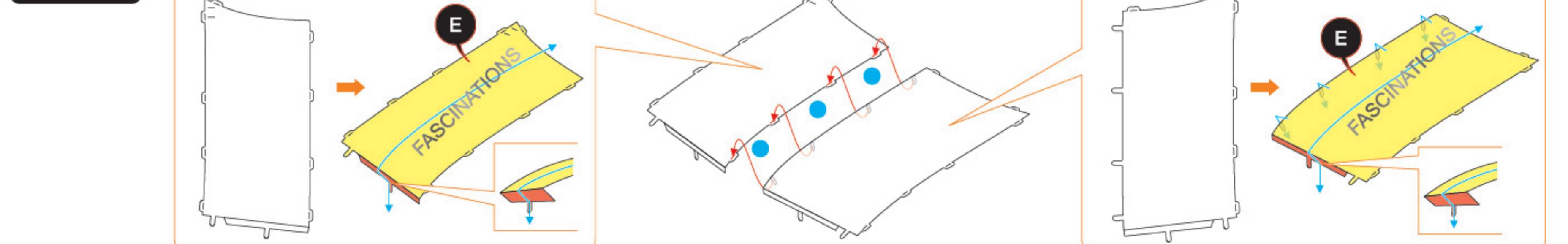


ASSEMBLY FLOW CHART

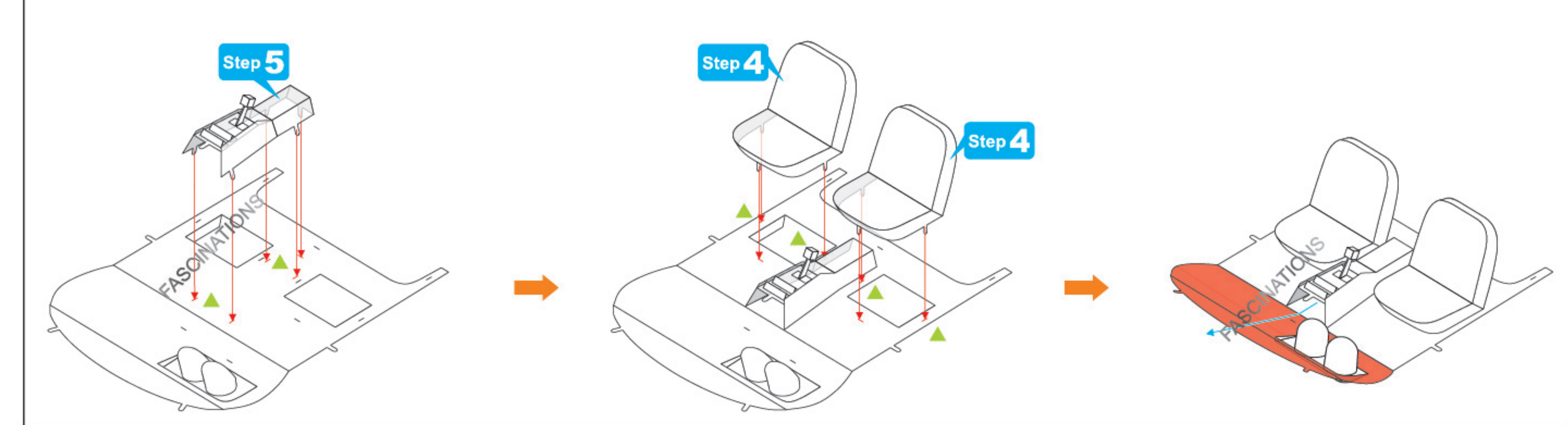
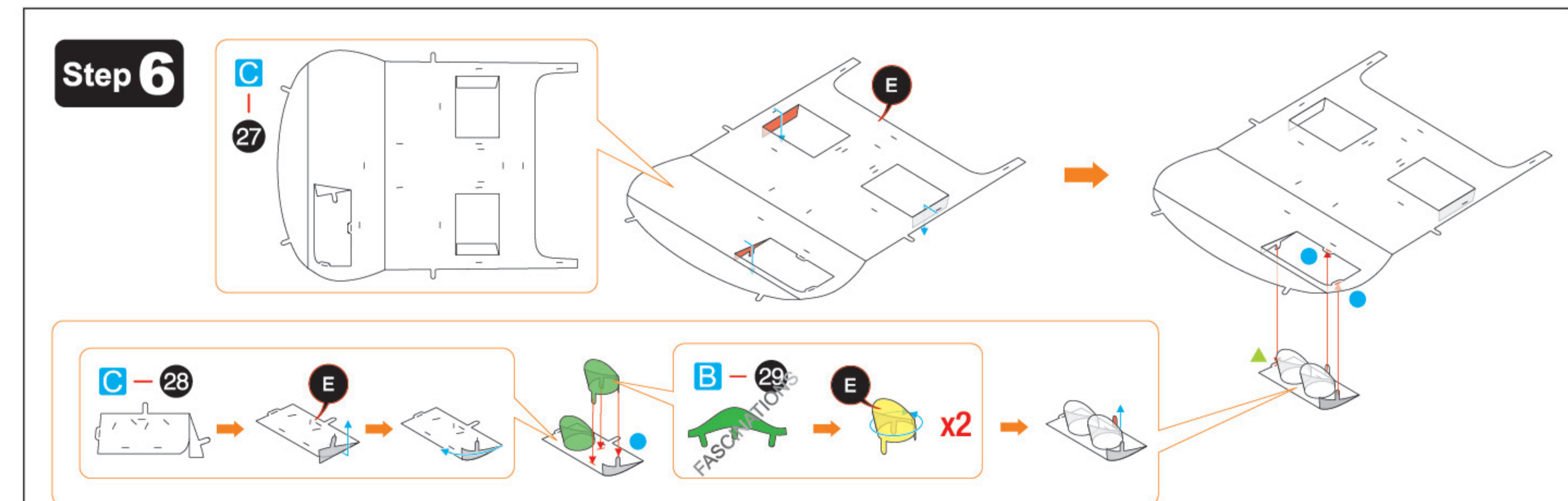
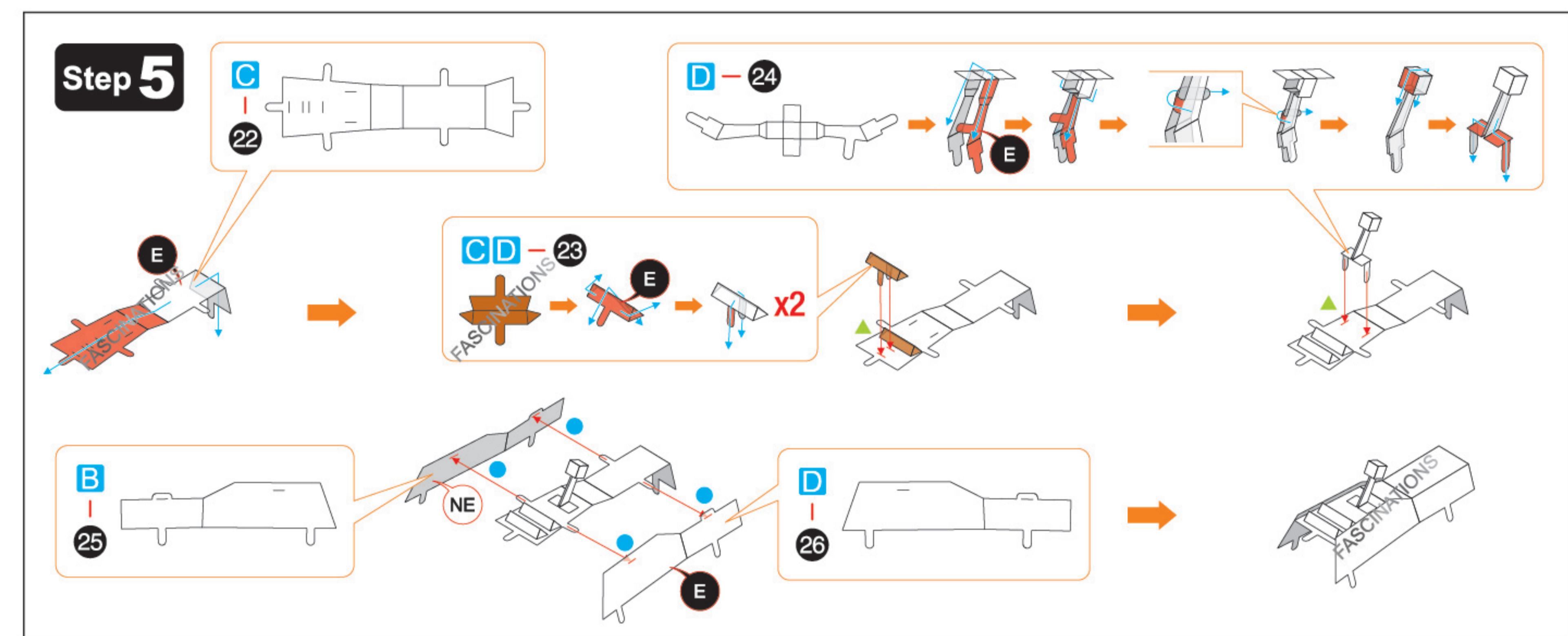
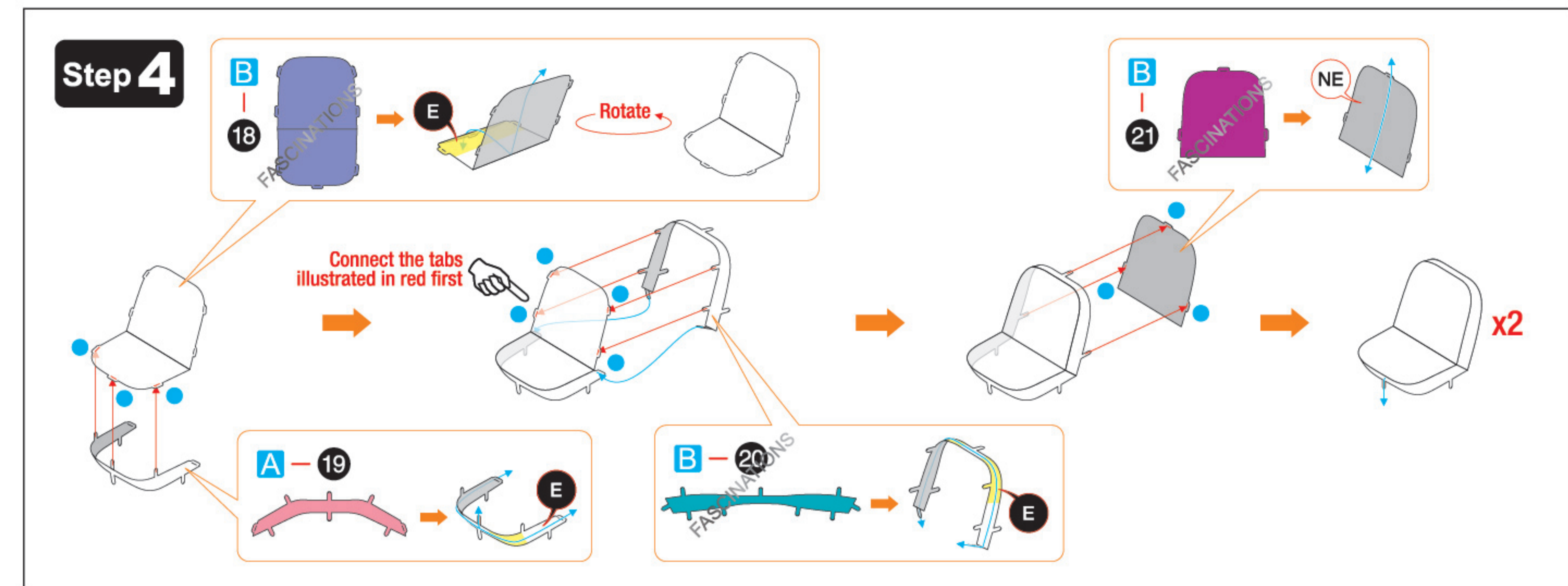
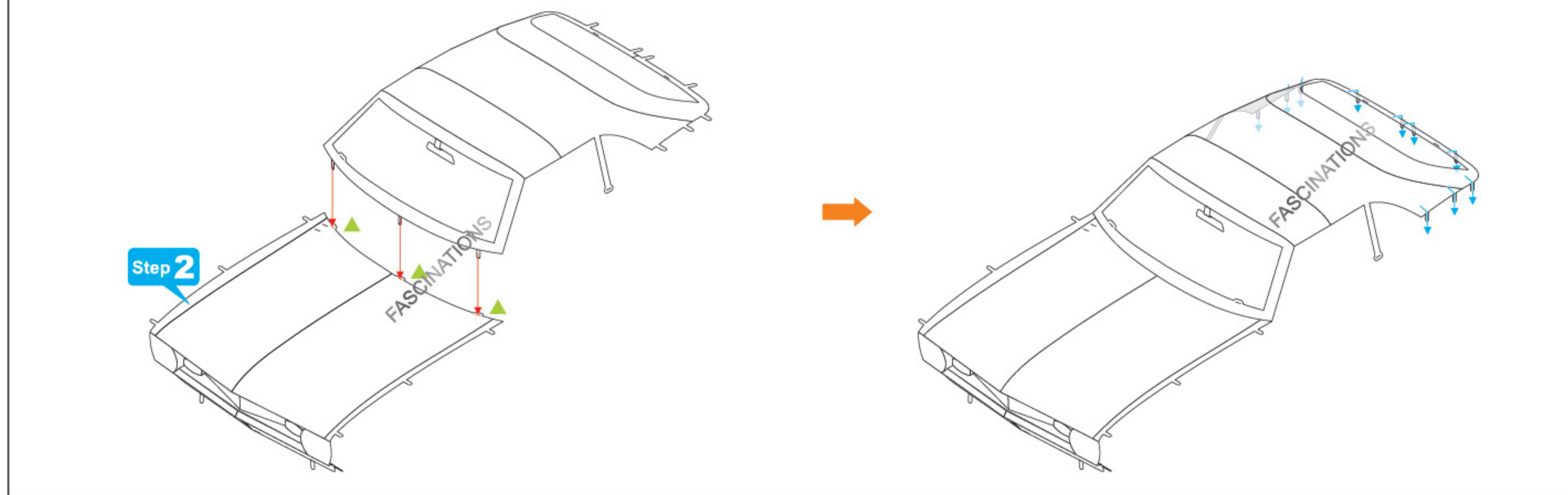
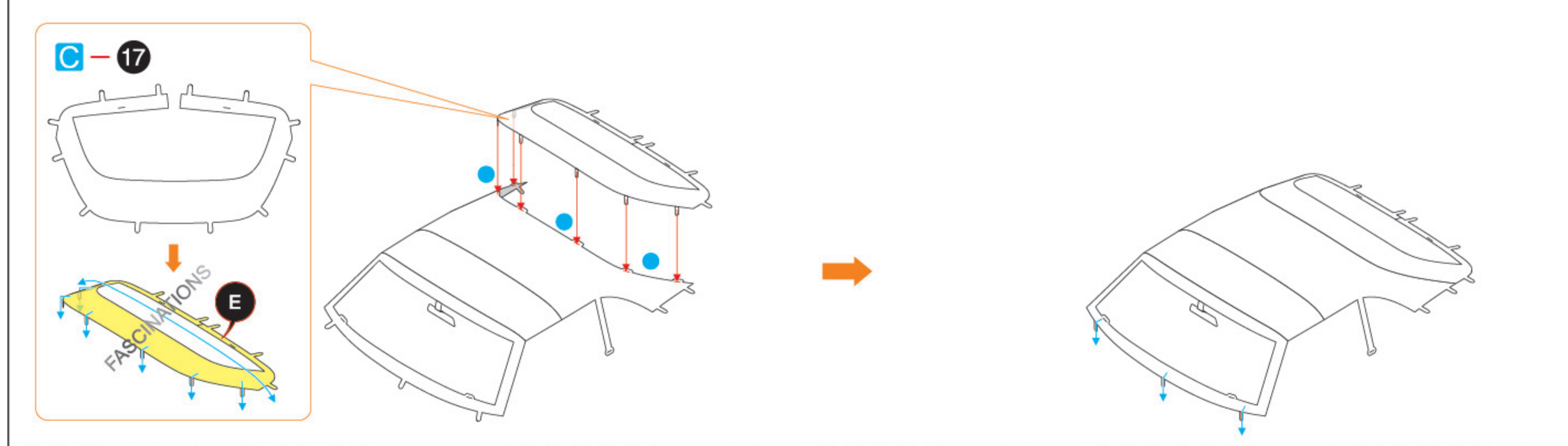
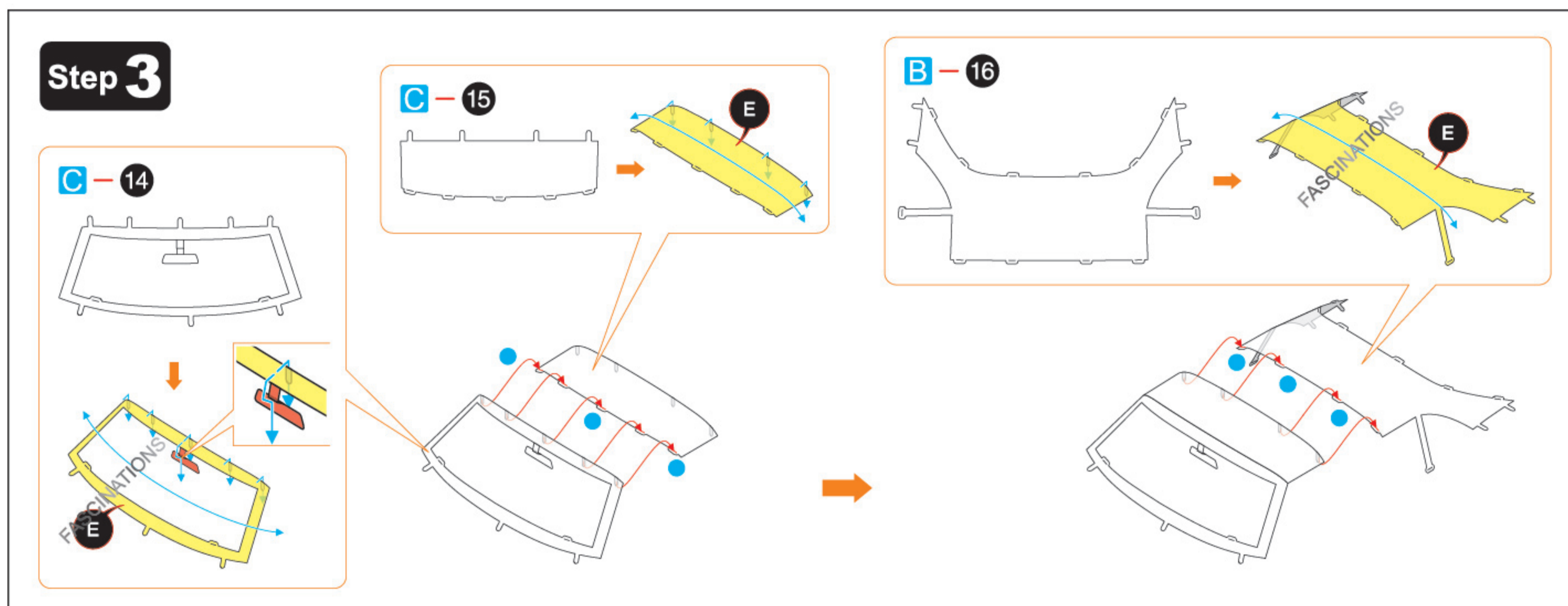
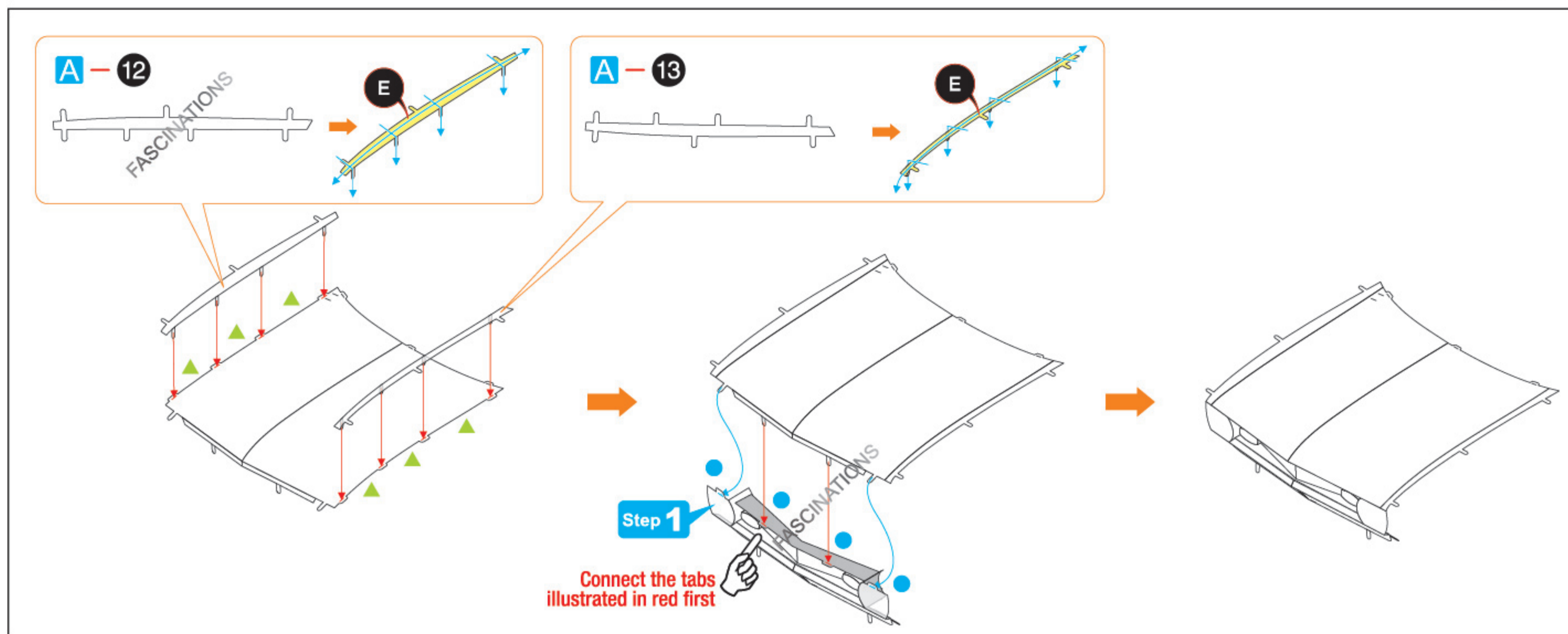
Step 1



Step 2



In order to avoid possible injury from sharp edges, please carefully discard the metal sheets after parts have been removed.



Step 7

A - 30
E
FASCINATIONS

D - 31
E
Rotate

Pay attention to the direction

A - 32
E

Step 8

A - 33
E
FASCINATIONS

B - 34
E

C - 35
E
FASCINATIONS

Connect the tabs illustrated in red first

Step 9

Step 7
Connect the tabs illustrated in red first

Step 8

Step 6

FASCINATIONS

Step 10

Step 3

A - 36
E
FASCINATIONS

Step 9

Connect the tabs illustrated in red first

C - 37
E

D - 38
E
FASCINATIONS

FASCINATIONS

Step 11

A - 39
E
FASCINATIONS

A - 40
E

A - 41
E

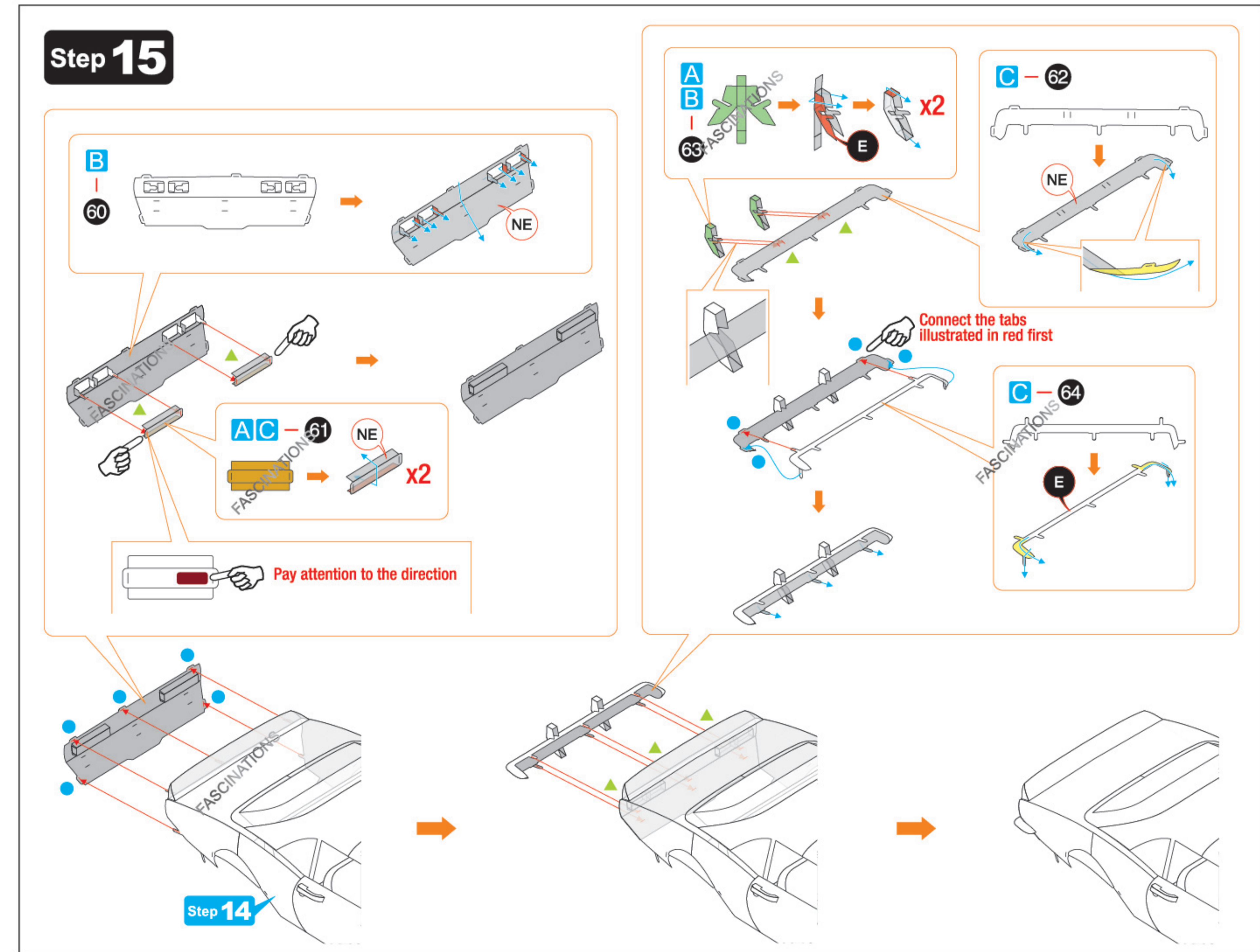
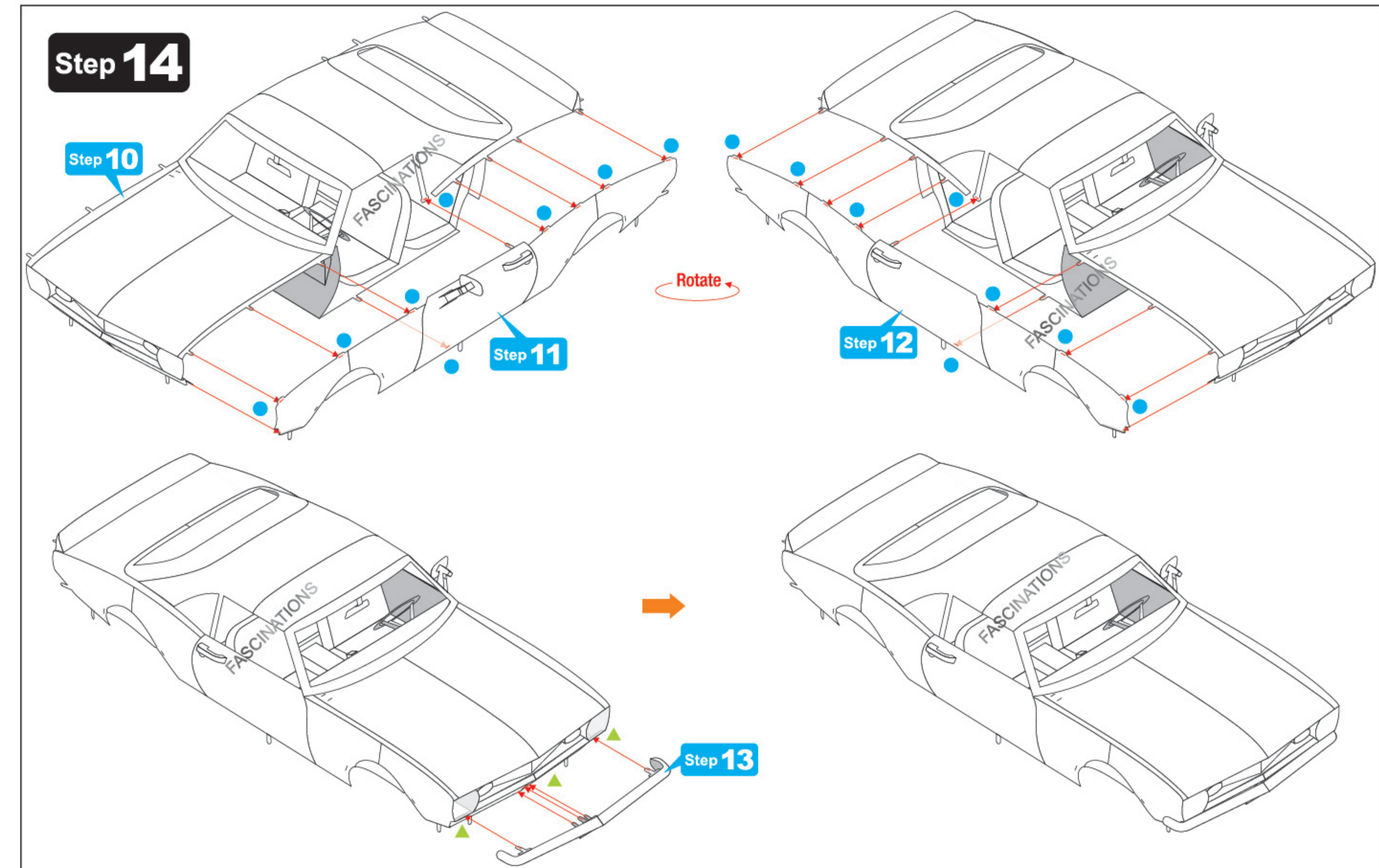
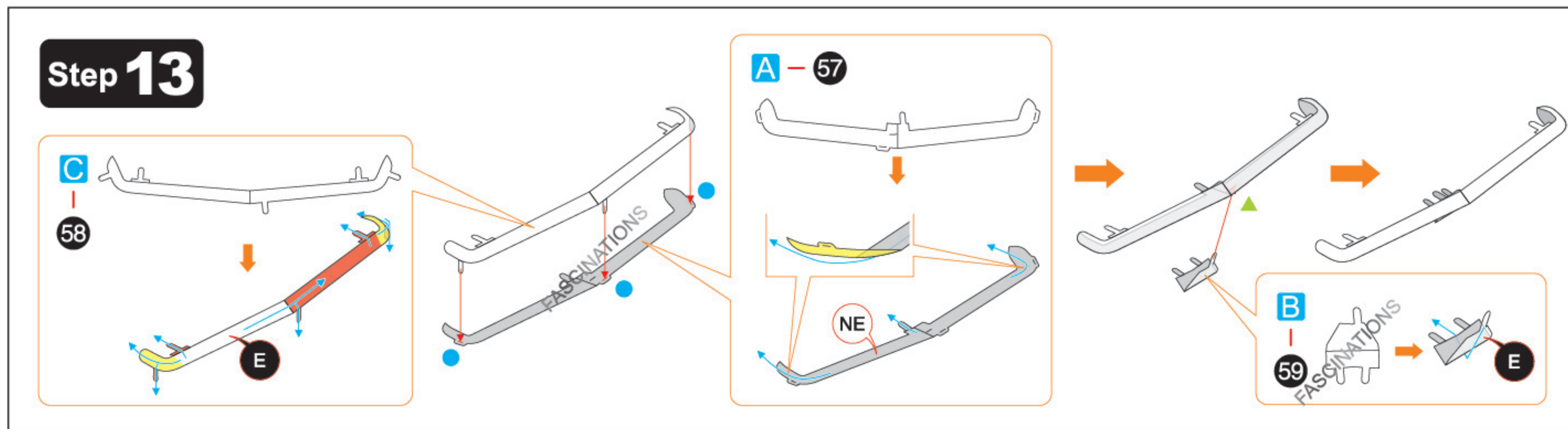
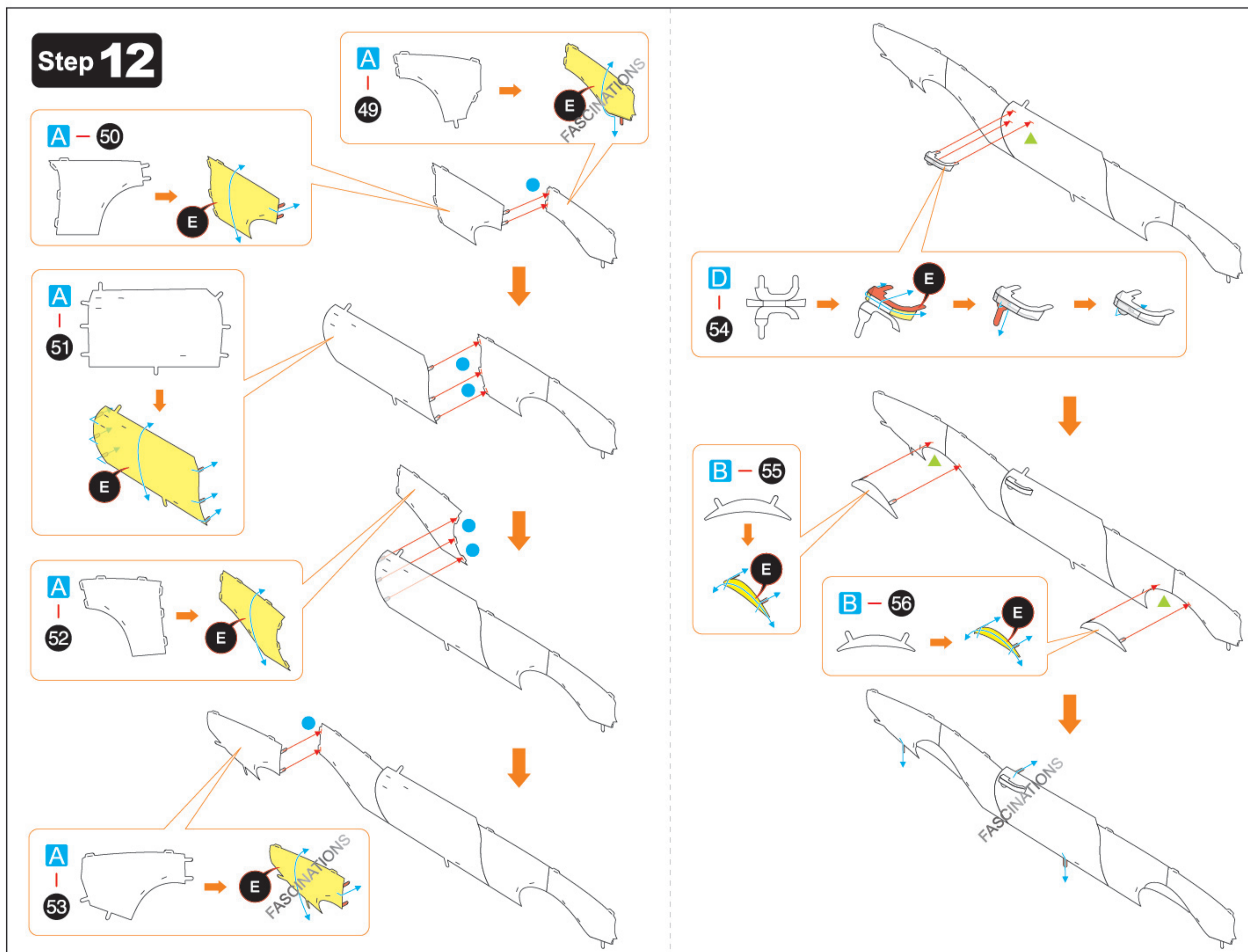
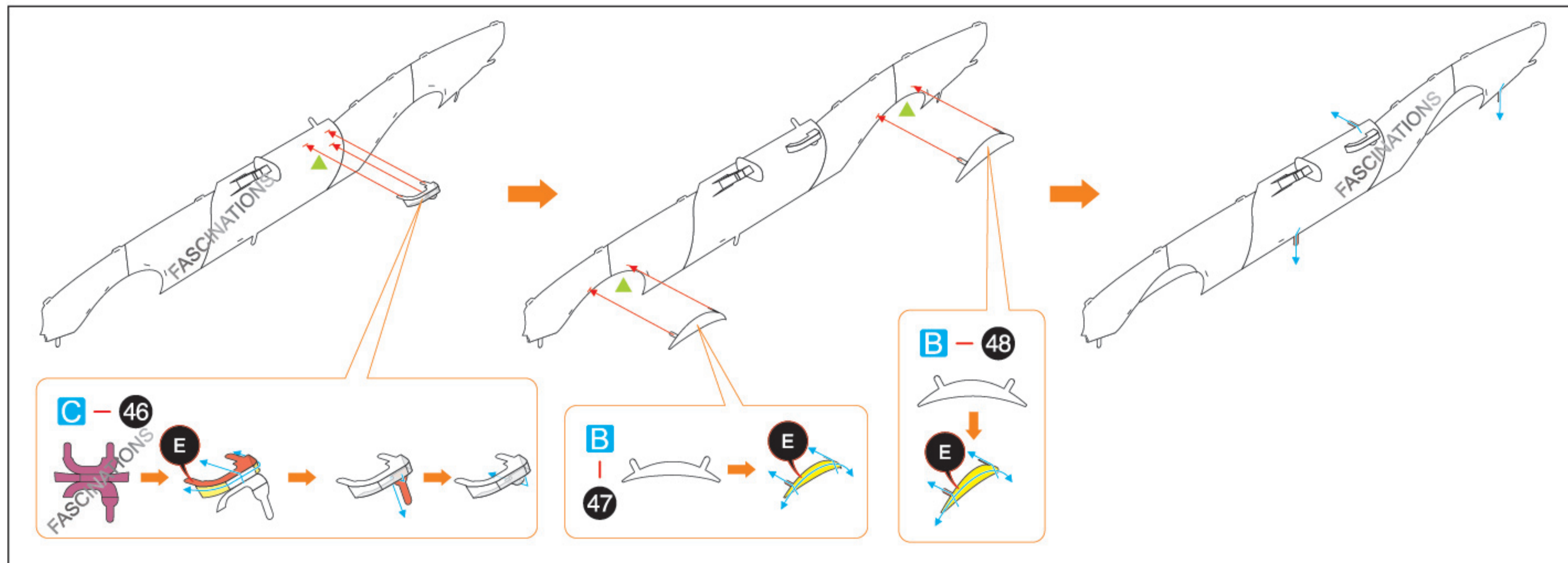
A - 42
E

A - 43
E

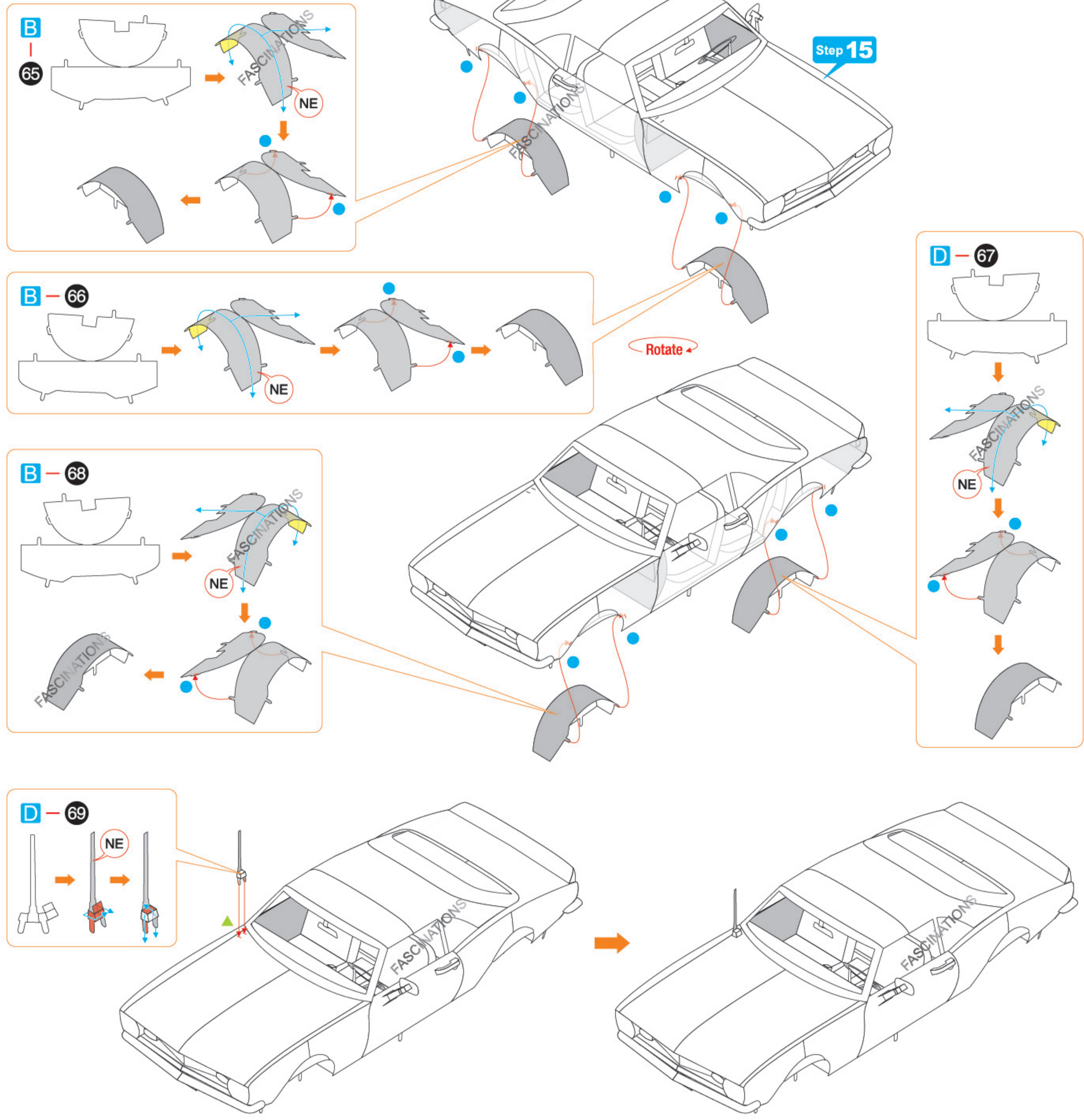
A C - 44
E
FASCINATIONS

B - 45
E

Rotate



Step 16



Step 17

