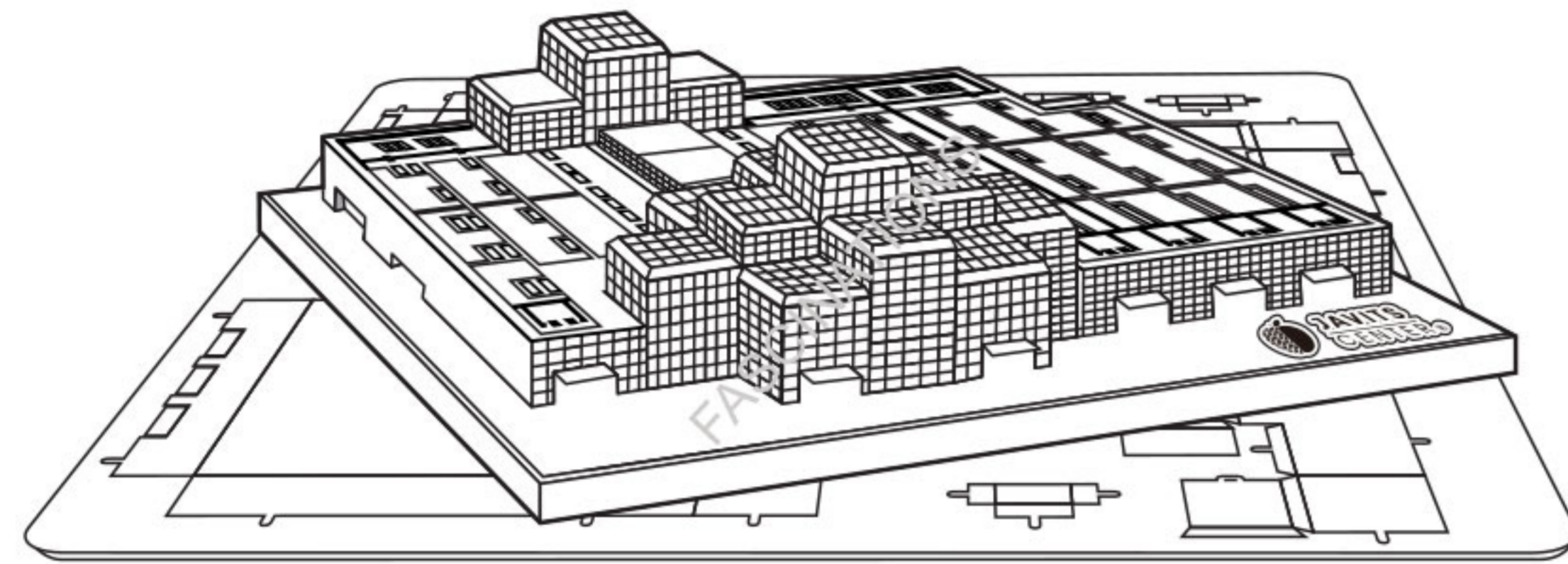


# METAL EARTH™

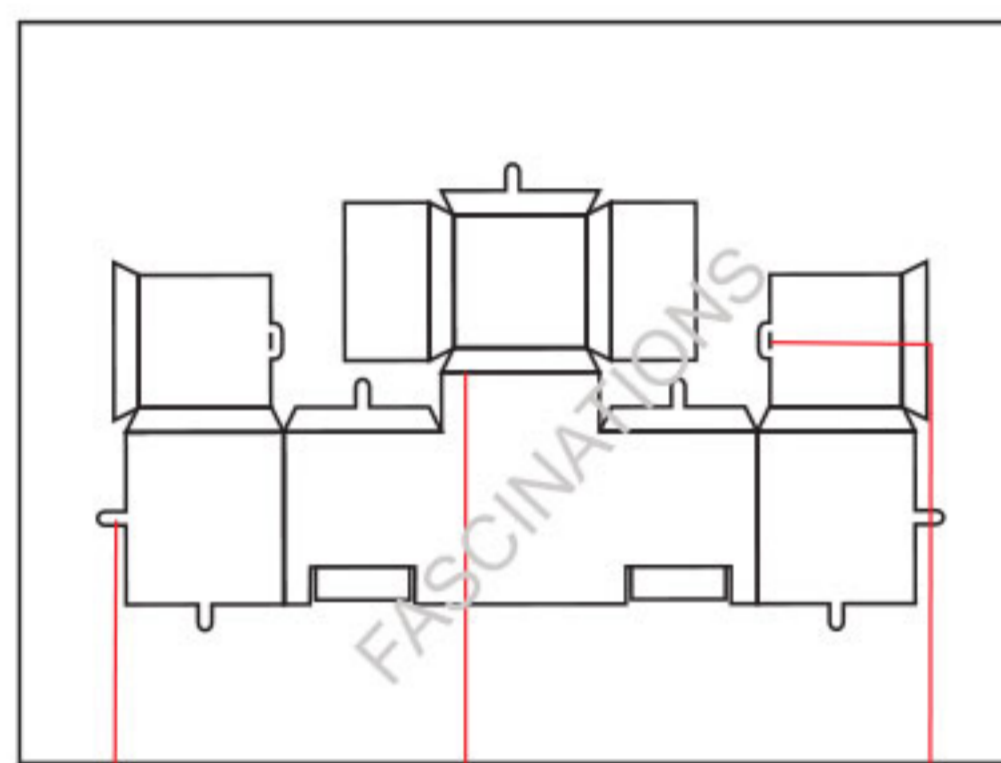
## 3D LASER CUT MODELS



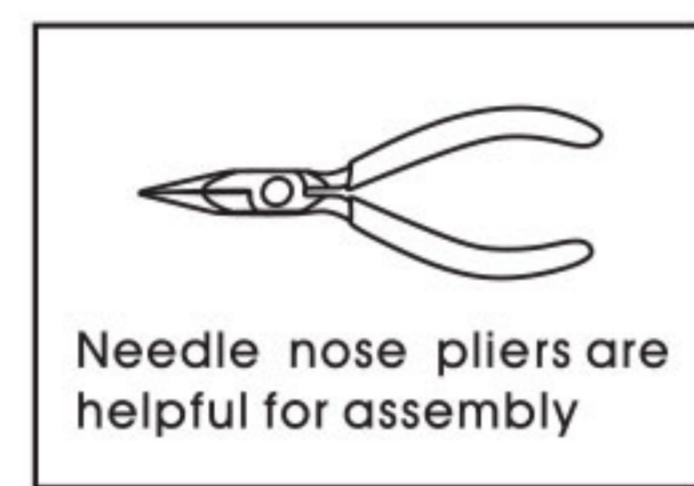
It is highly recommended that you visit  
[www.fascinations.com/metalearth360/mms073](http://www.fascinations.com/metalearth360/mms073)  
 to see the completed model before assembling your own



mms073



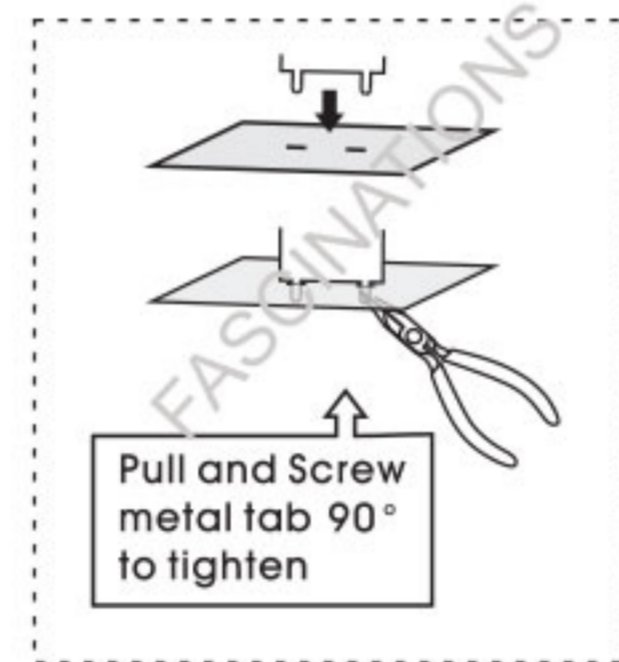
Insertion tabs are inserted and then folded  
 Fold lines can be seen as shown here  
 Insertion holes



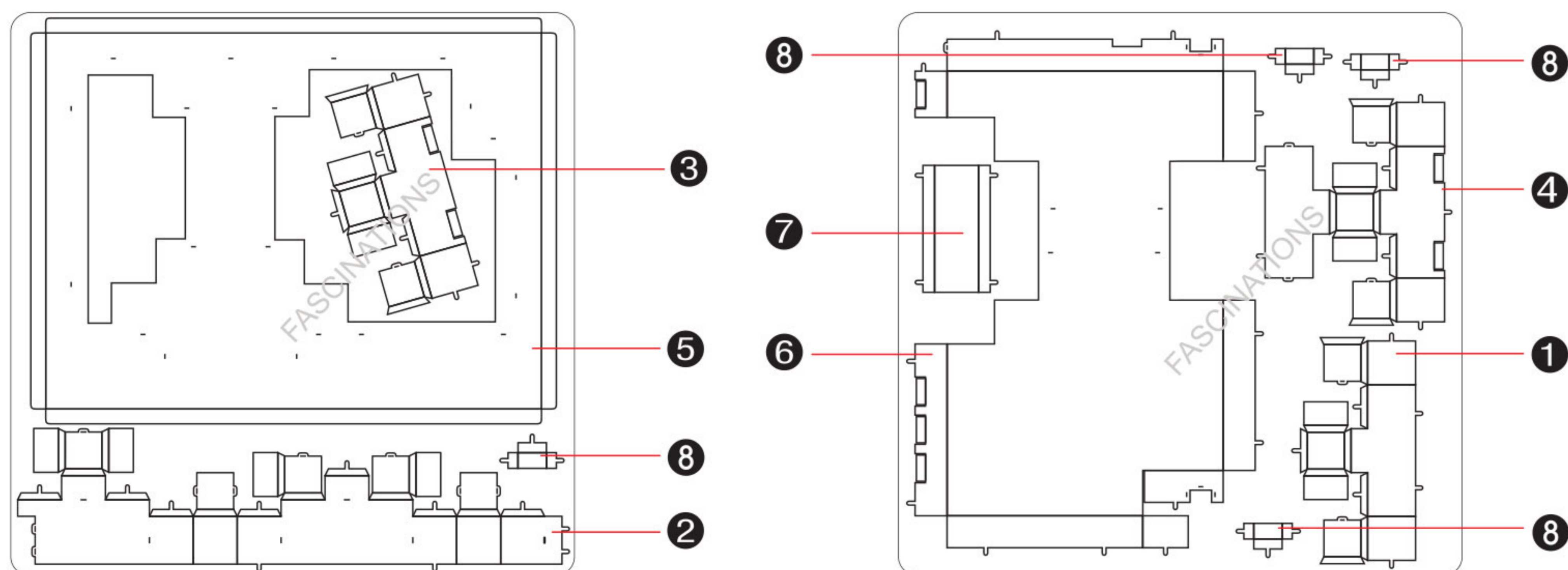
To create the best connections

Insert tab and bend 90 degrees for most visible areas

Insert tab and twist 90 degrees is best in some areas to ensure a tight connection



Metal sheets



In order to avoid possible injury from sharp edges, please carefully discard the metal sheet after parts have been removed

### Assembly Flow Chart

