

Taipei 101



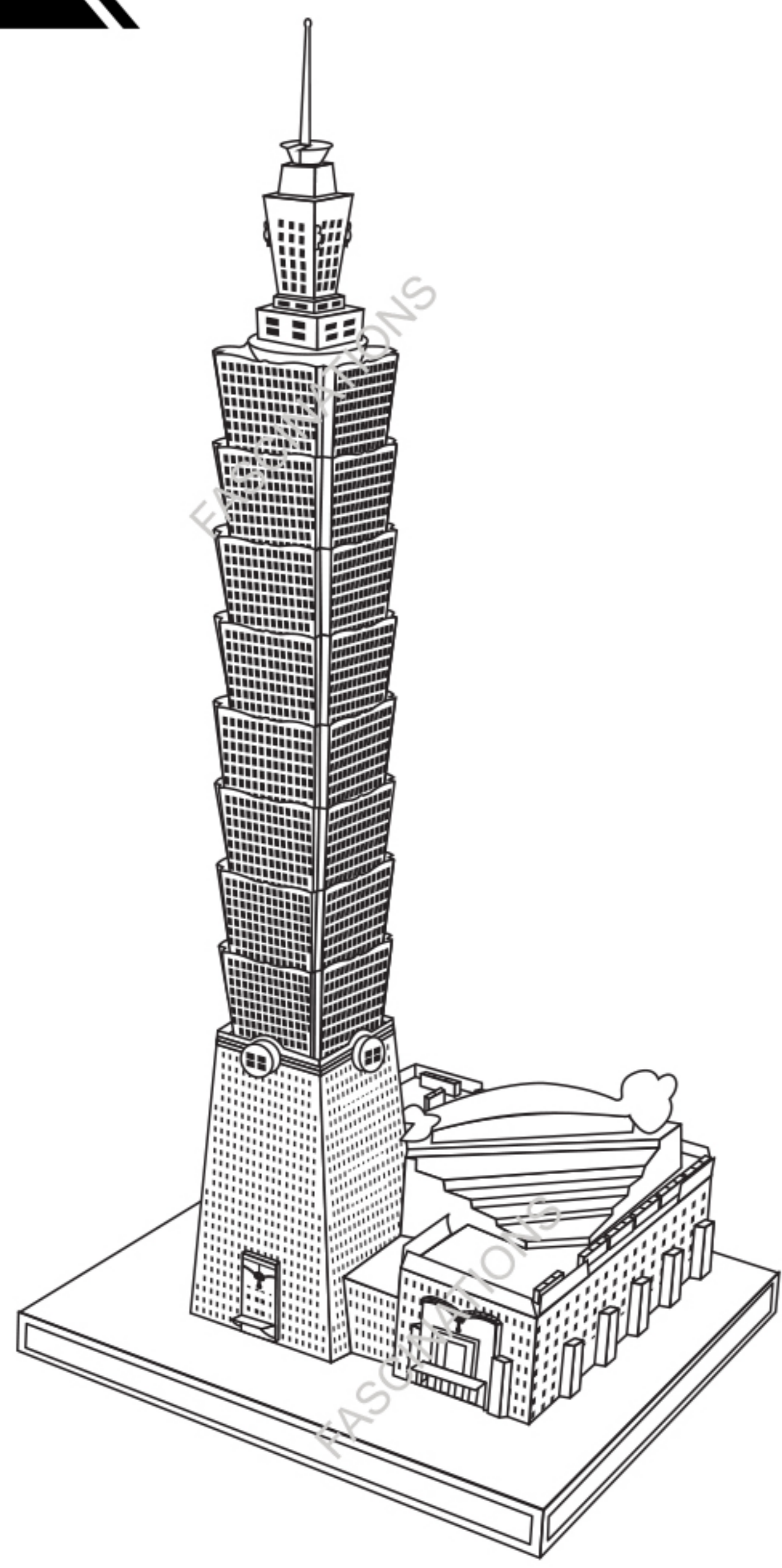
It is highly recommended that you visit www.fascinations.com/iconx360/icx007 to see the completed model before assembling your own



FASCINATIONS, INC.
Seattle, Washington, USA

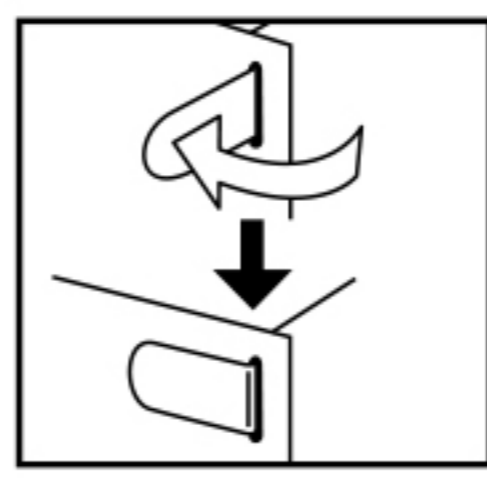
Go to www.fascinations.com/iconx360/icx007 to see the zoomable PDF version of this instruction sheet

ICX007

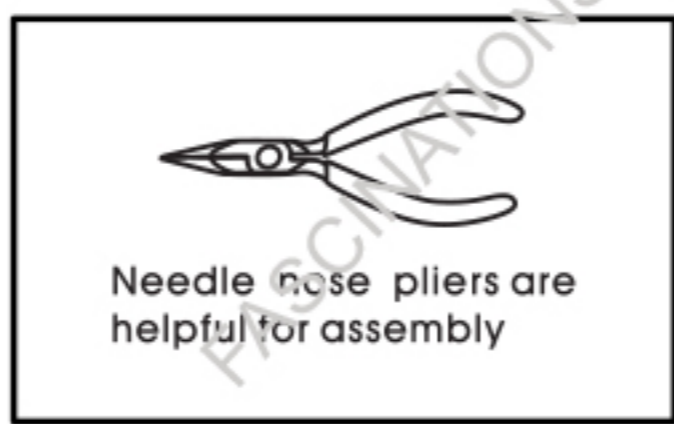
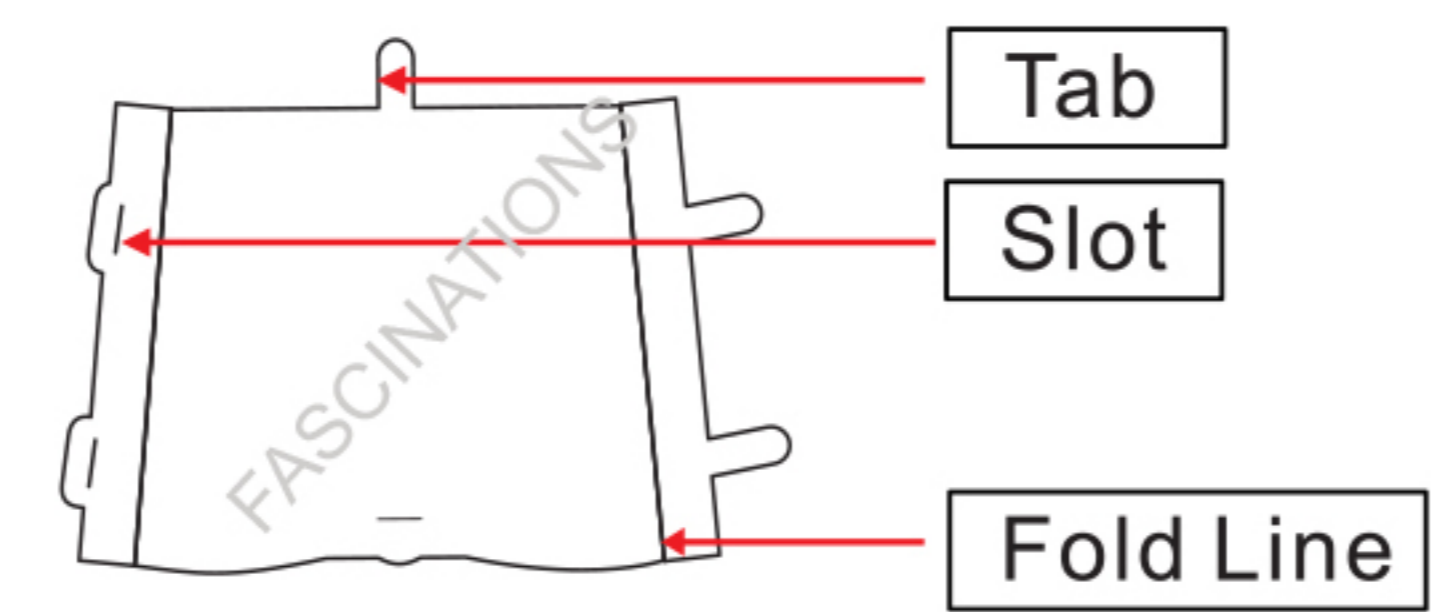
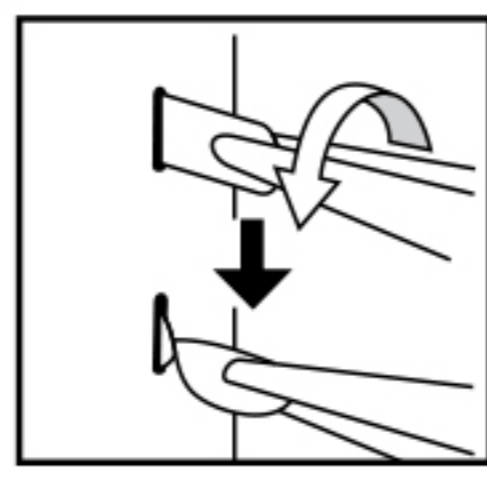


TO CREATE THE BEST CONNECTIONS

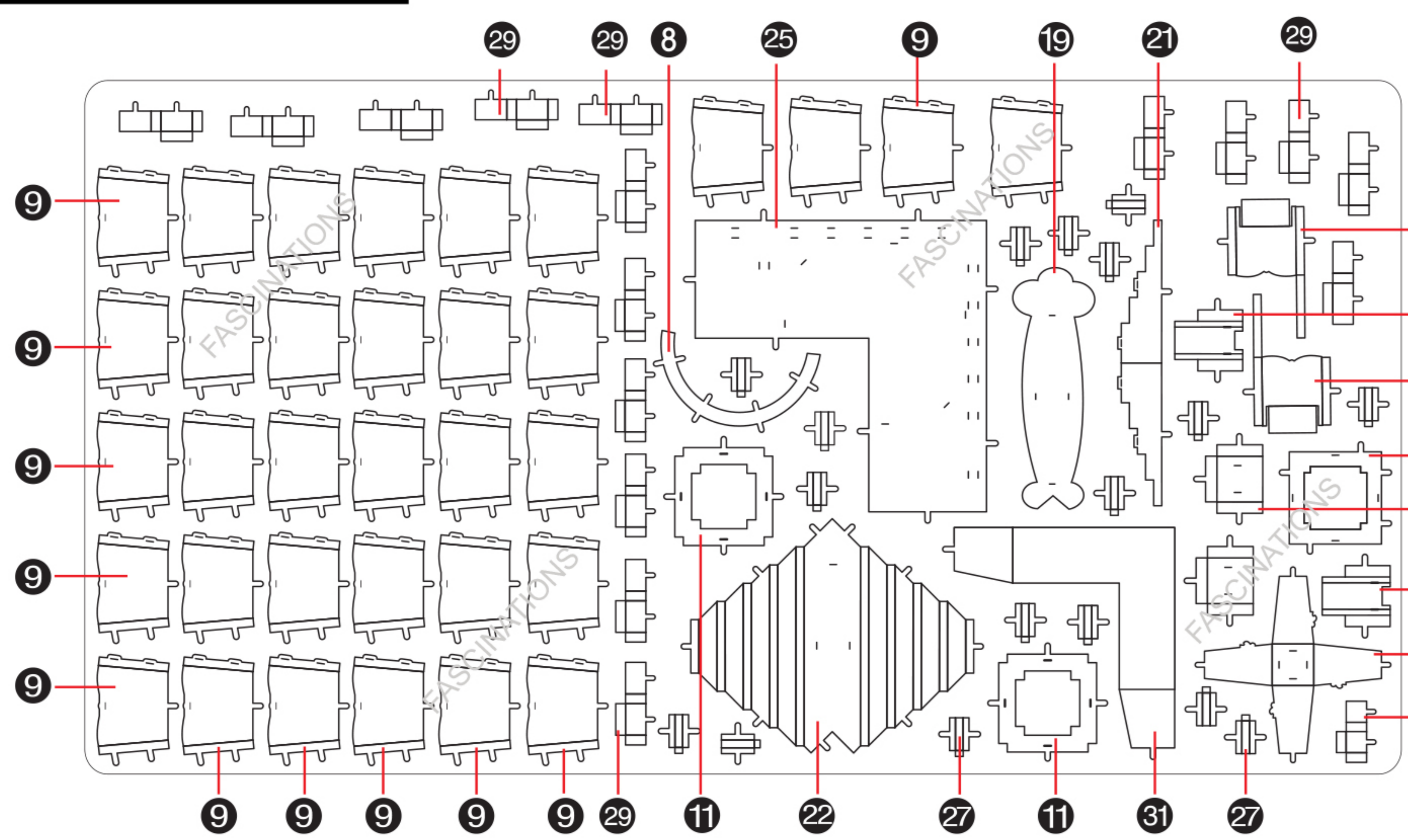
● Insert tab into slot and bend 90 degrees



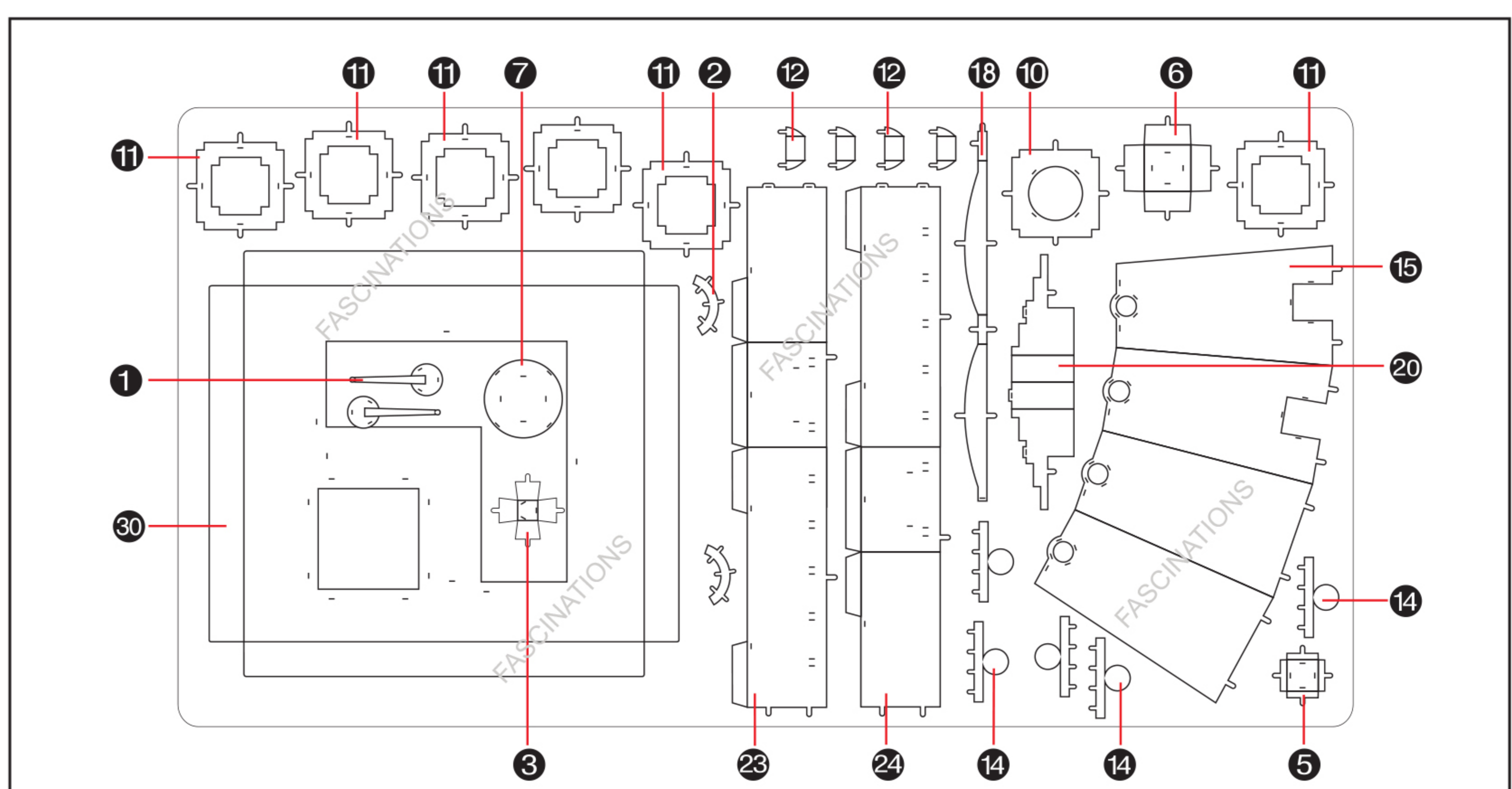
▲ Insert tab into slot and twist 90 degrees



METAL SHEETS

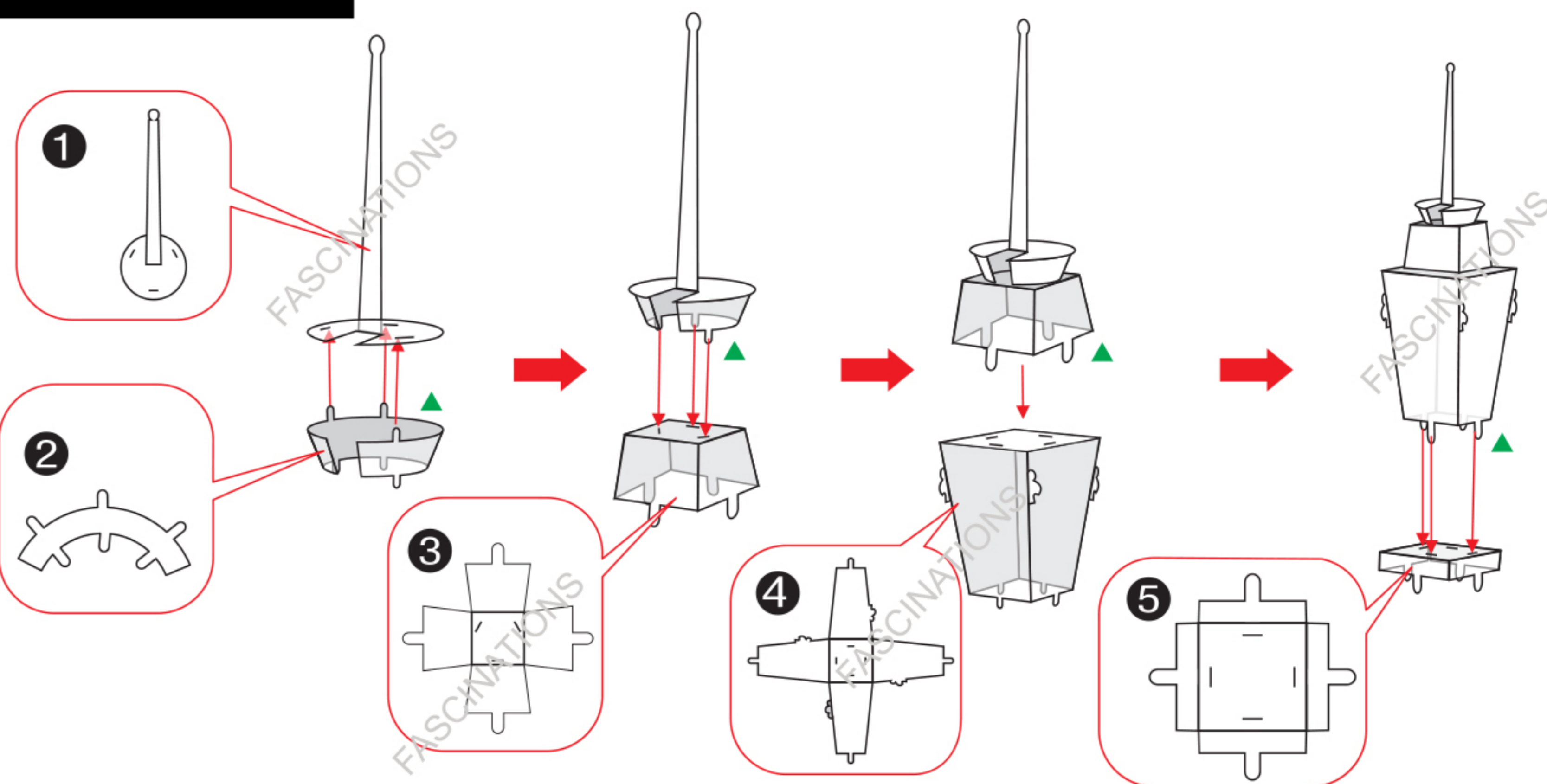


! In order to avoid possible injury from sharp edges, please carefully discard the metal sheet after parts have been removed.

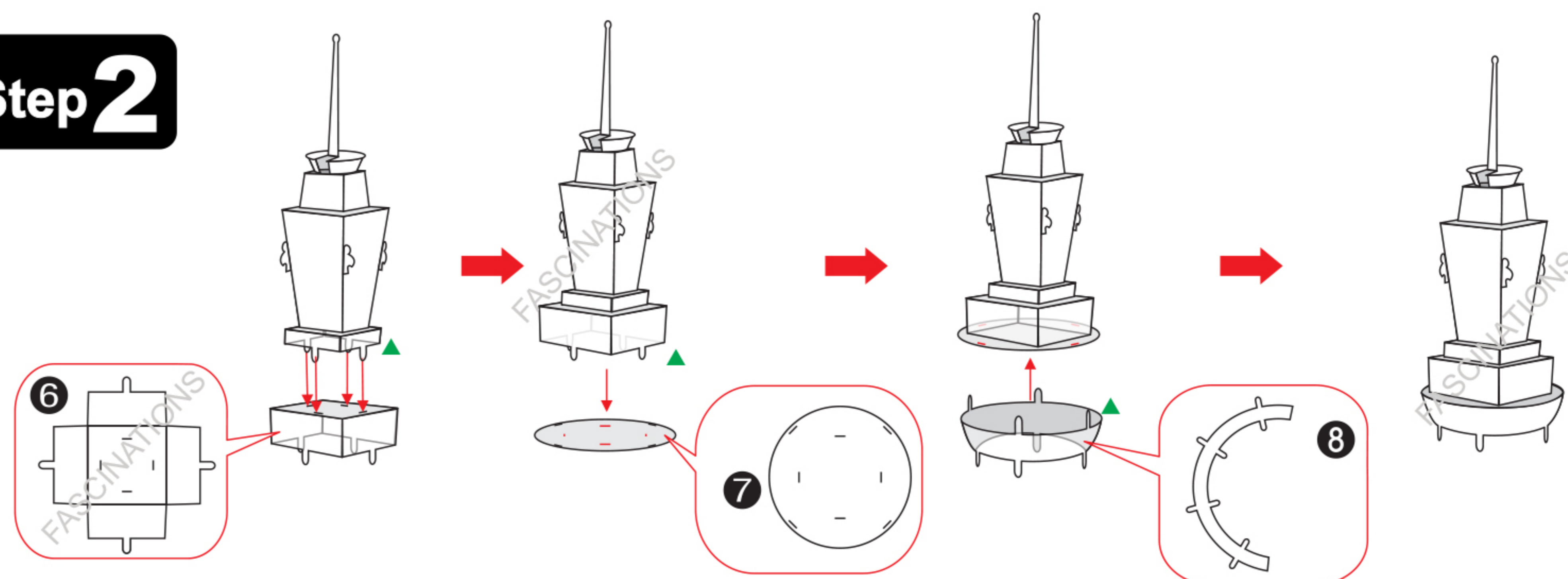


ASSEMBLY STEPS

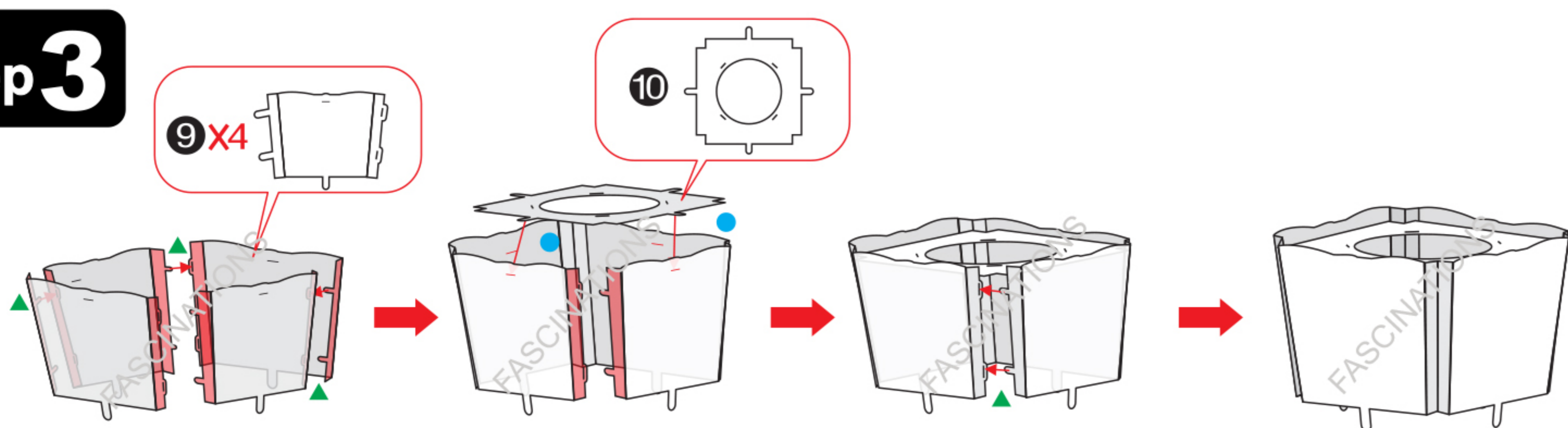
Step 1



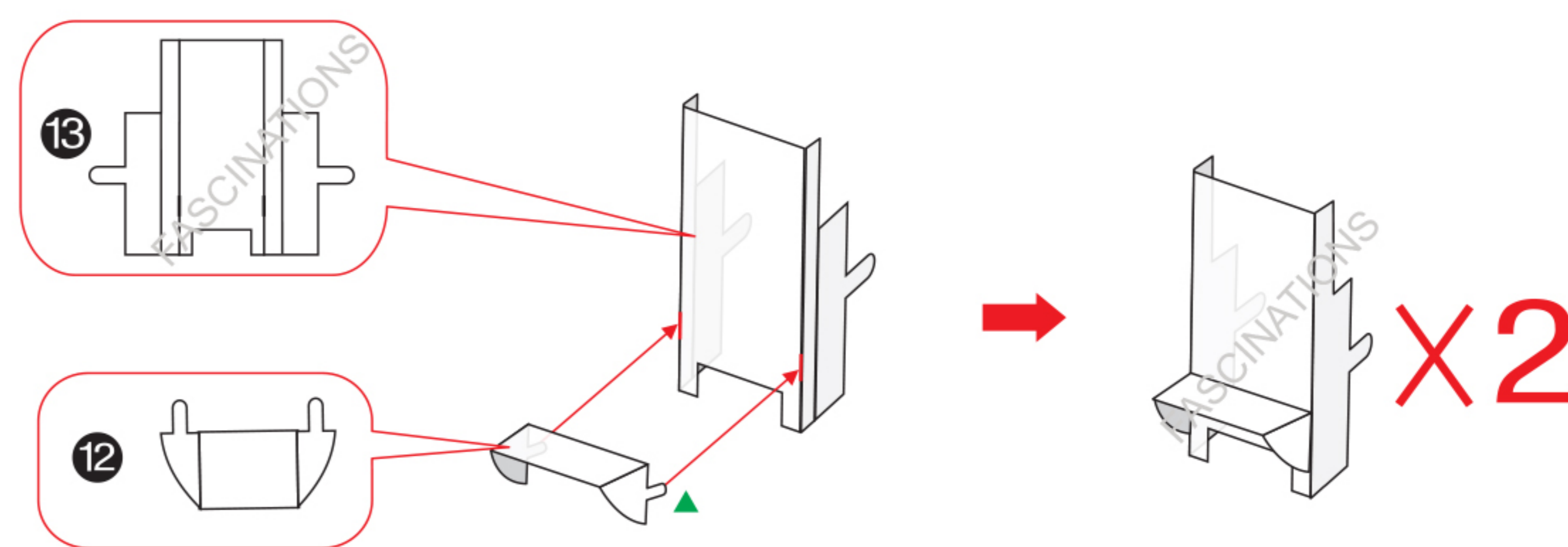
Step 2



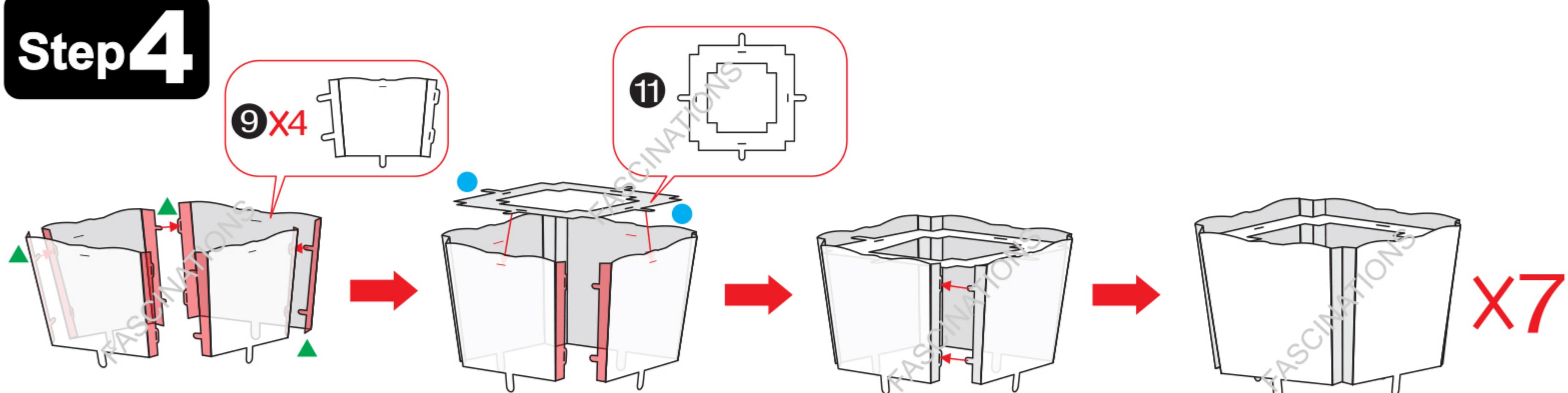
Step 3



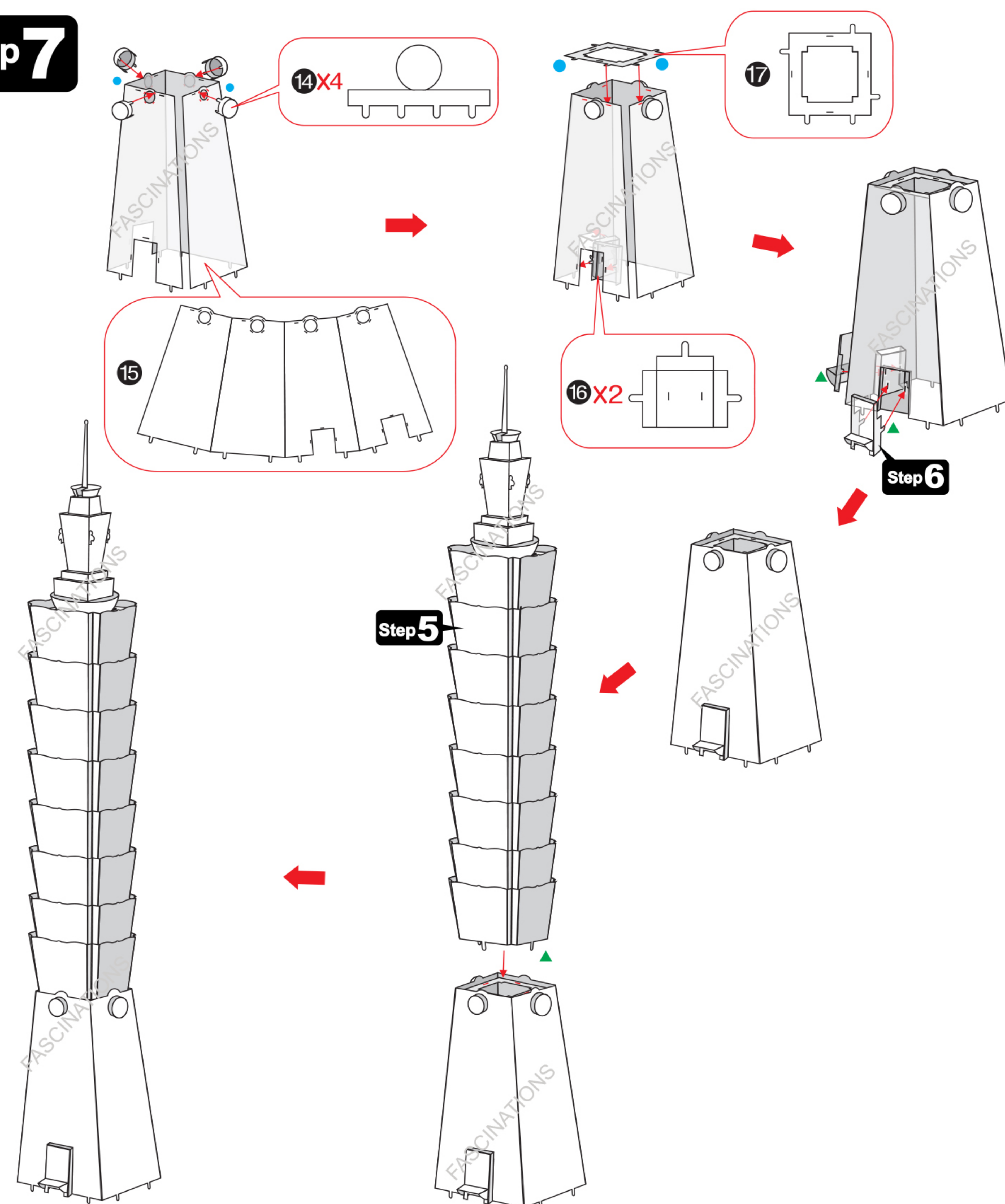
Step 6



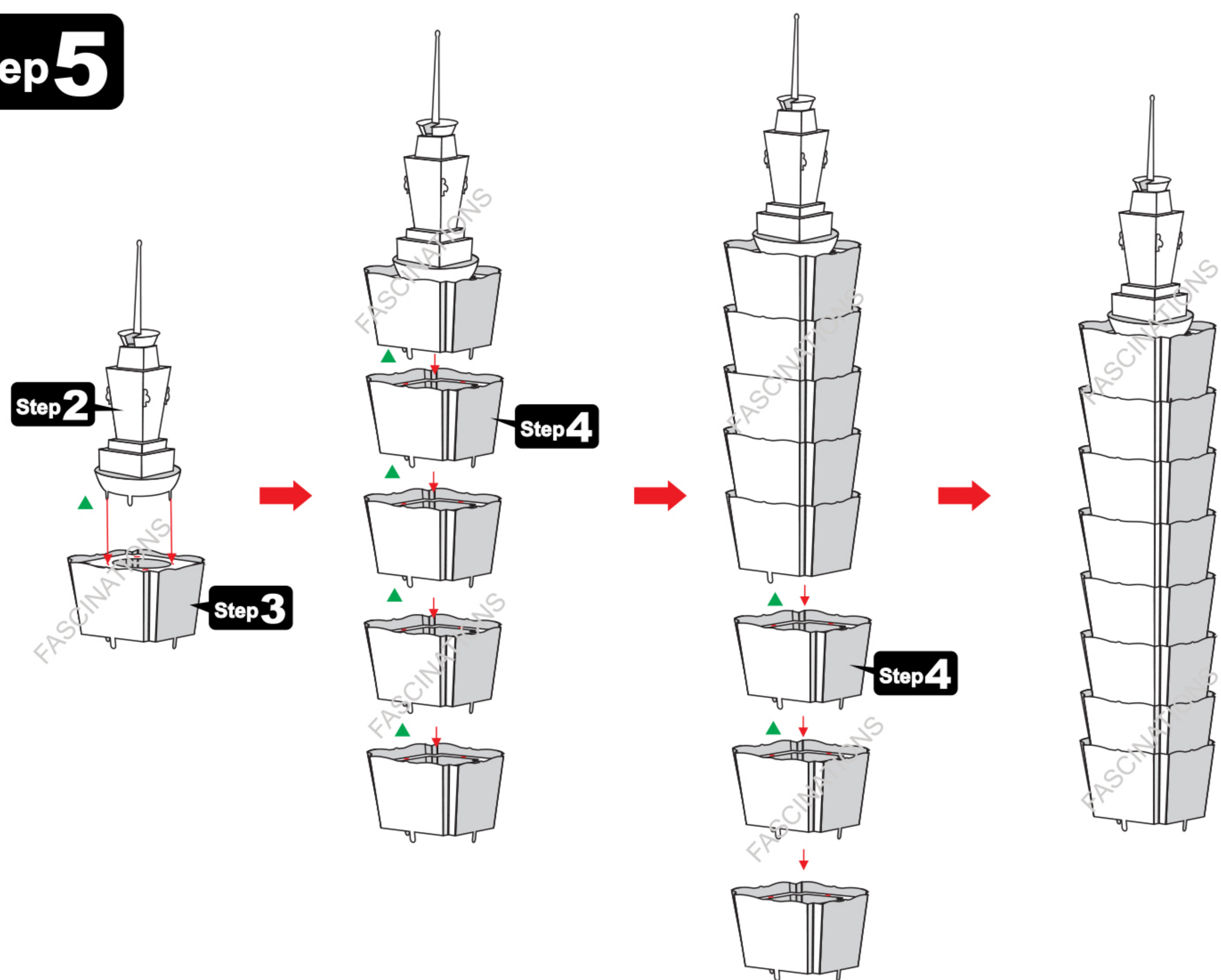
Step 4



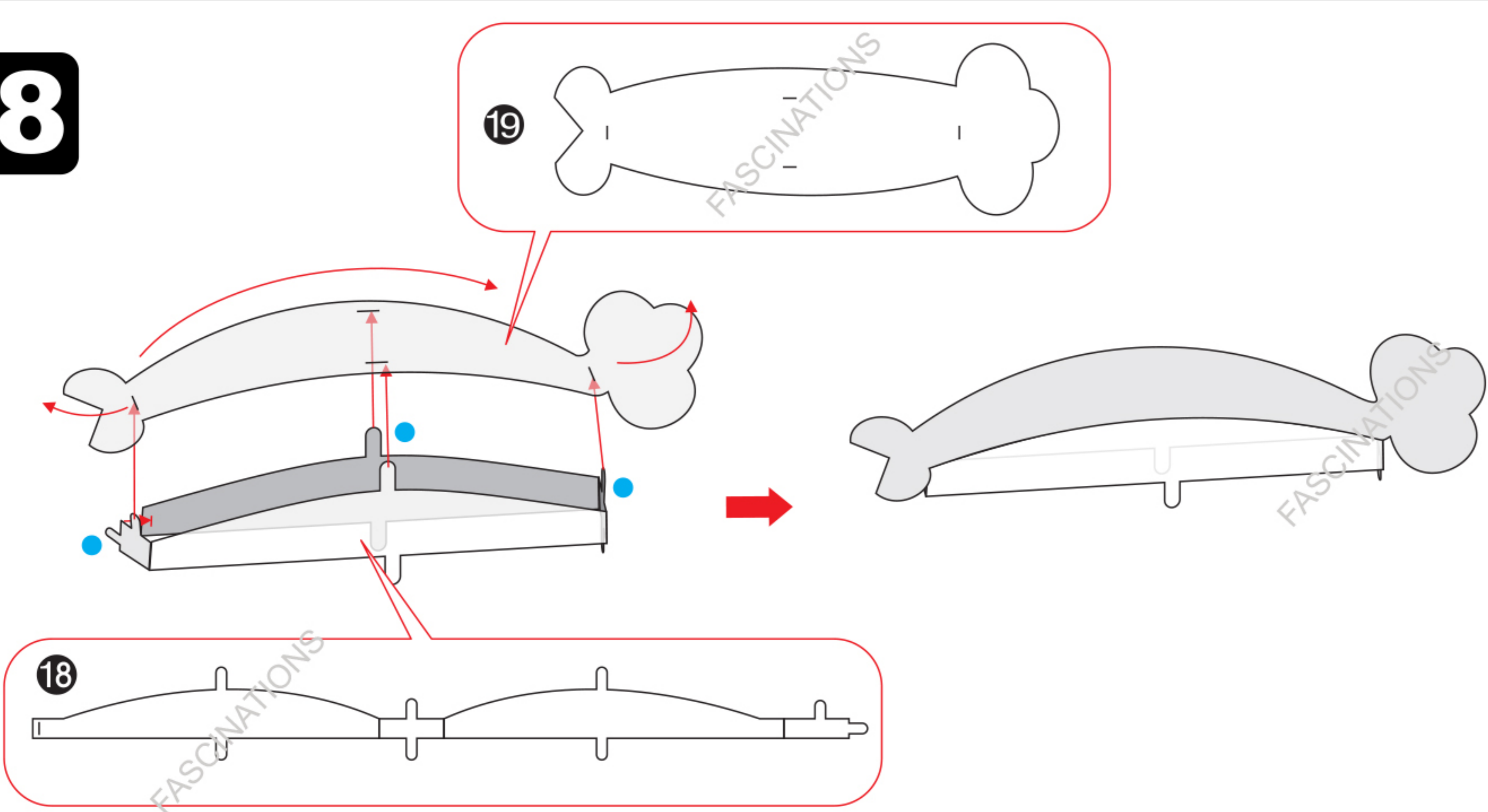
Step 7



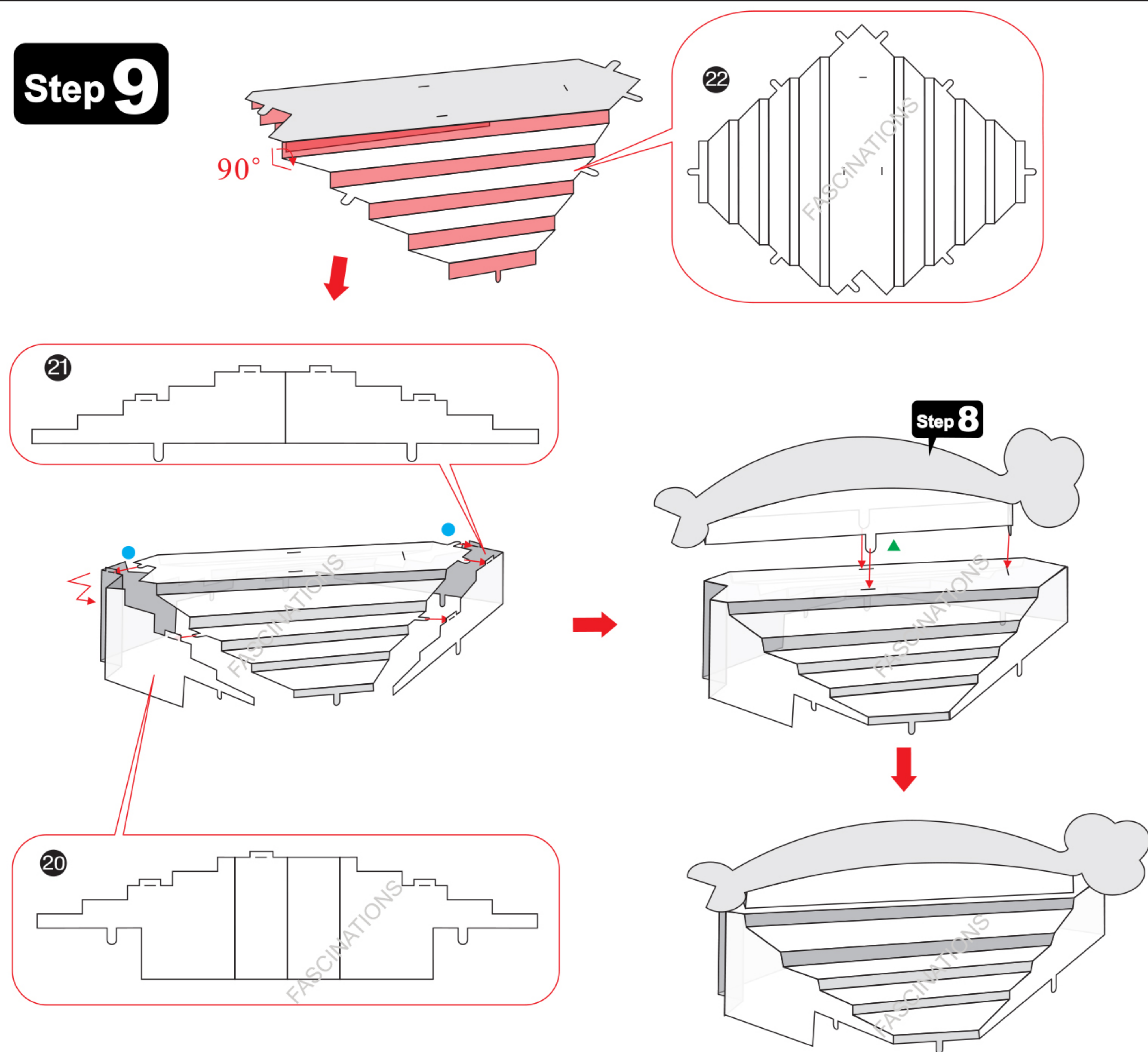
Step 5



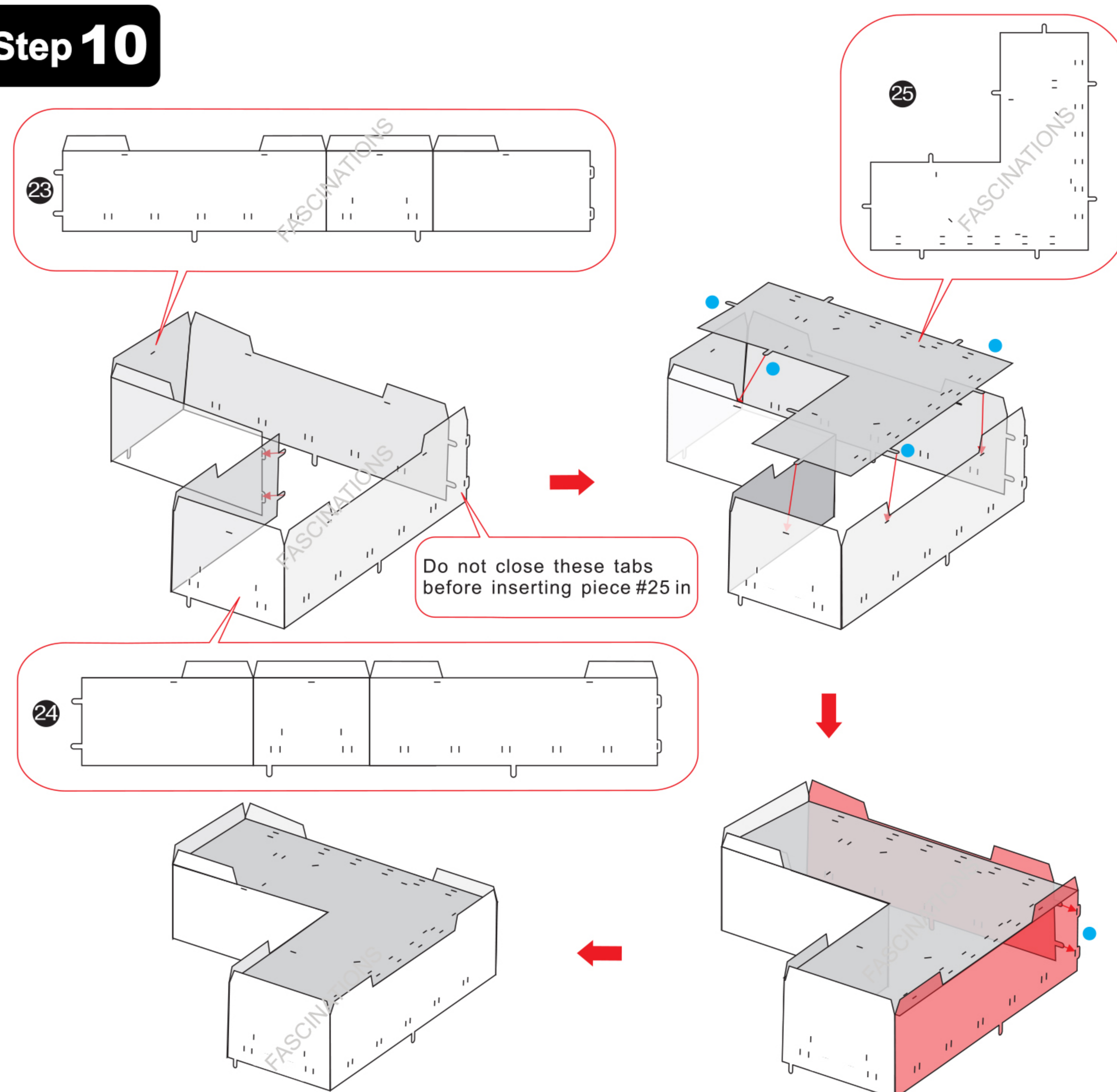
Step 8



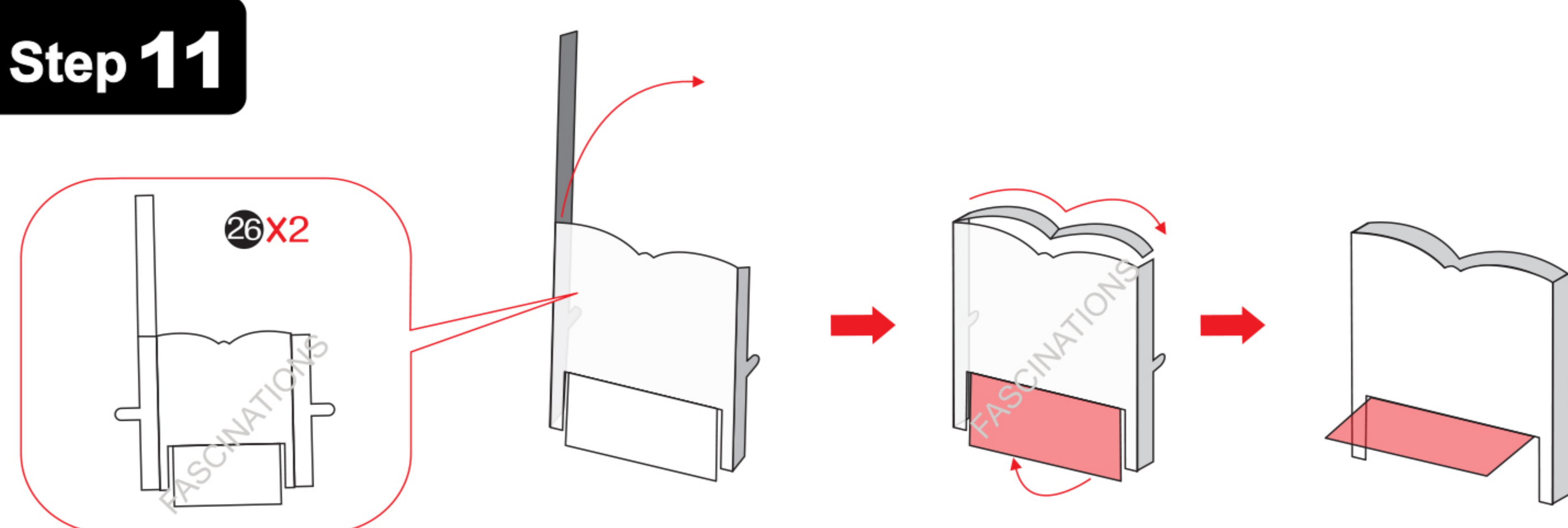
Step 9



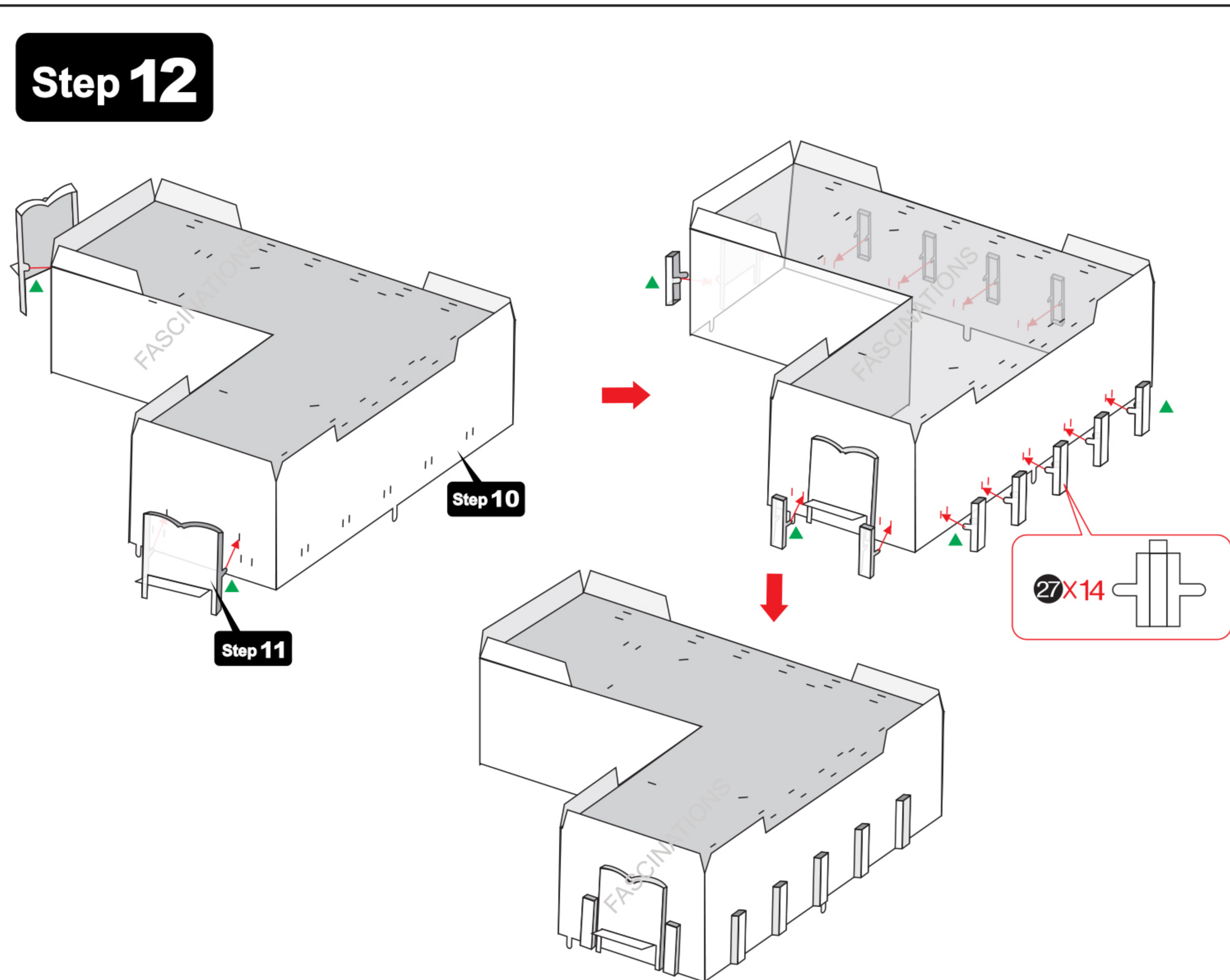
Step 10



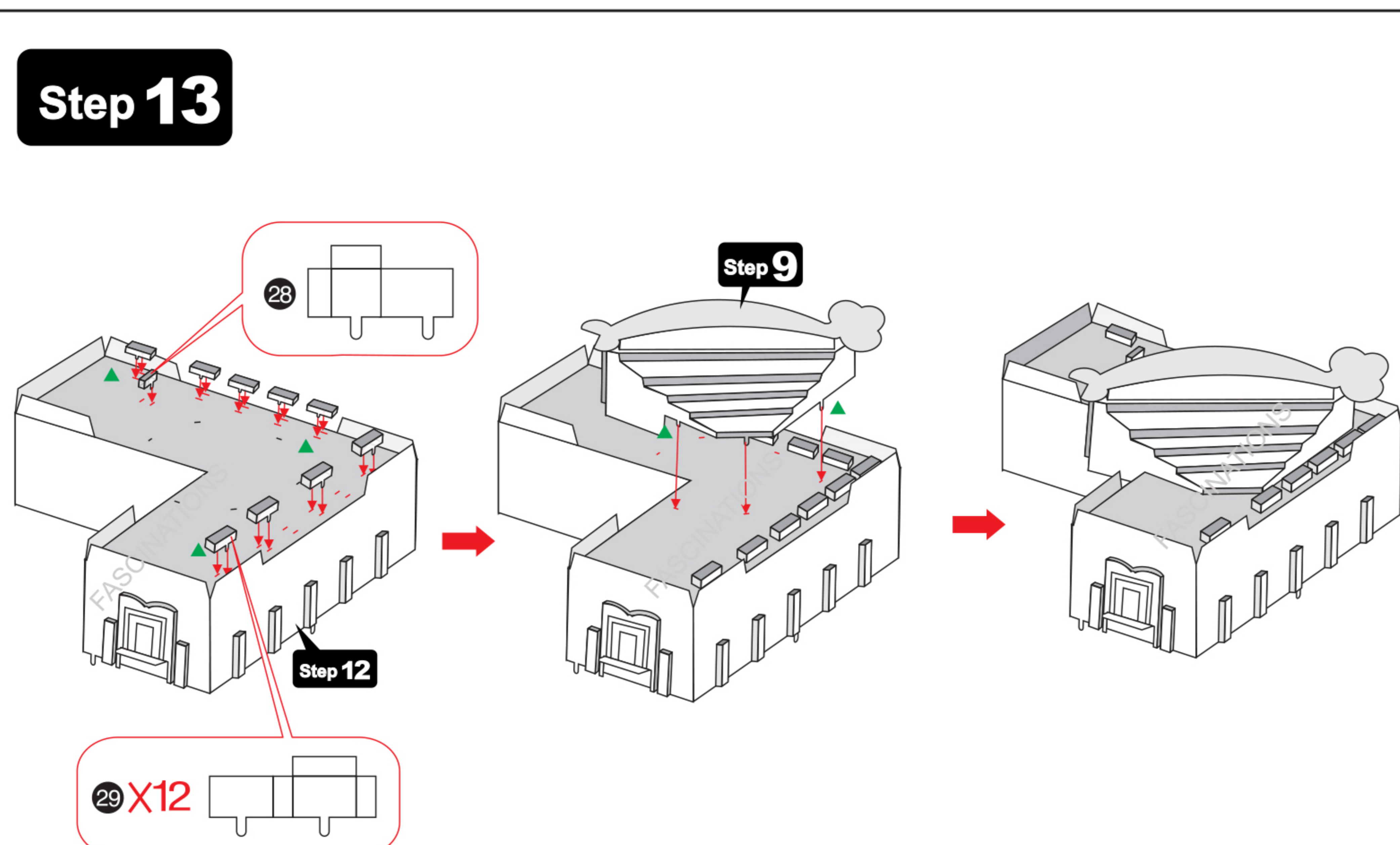
Step 11



Step 12



Step 13



Step 14

