

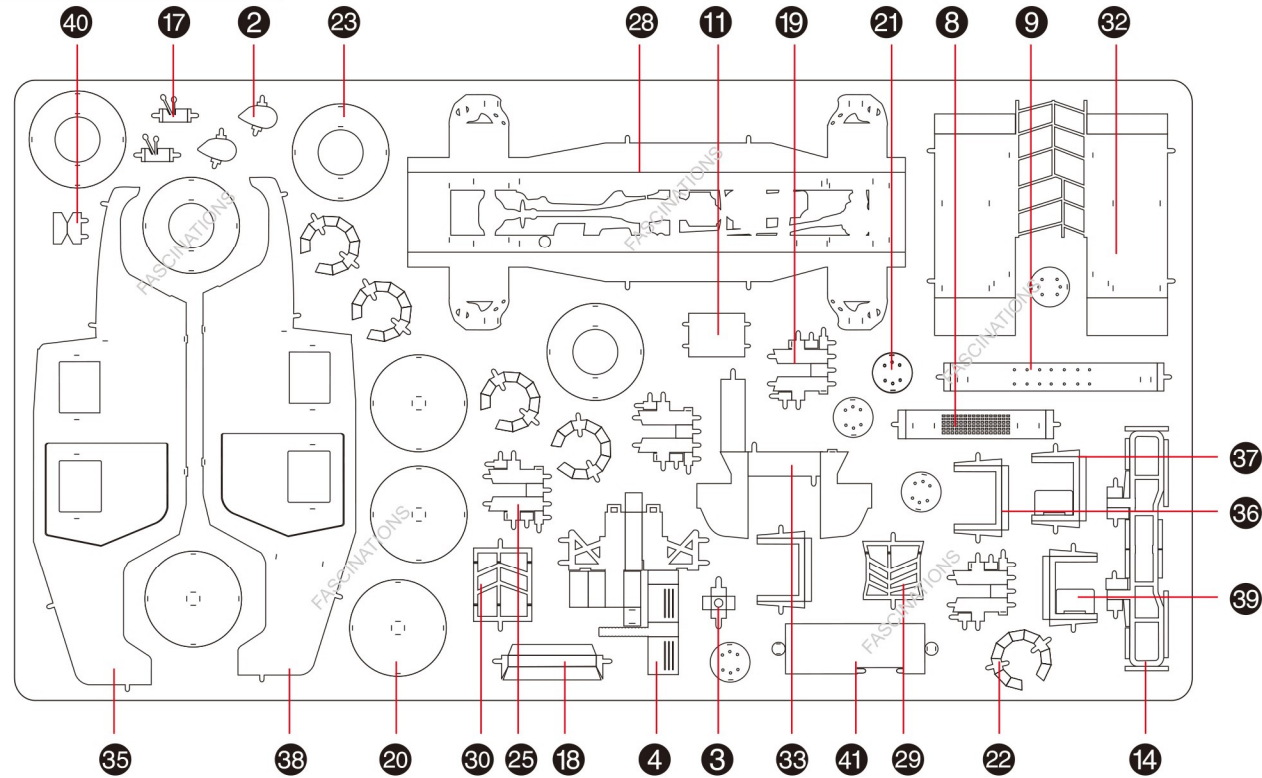


It is highly recommended that you visit www.metalearth.com/360/icx008 to see the completed model before assembling your own

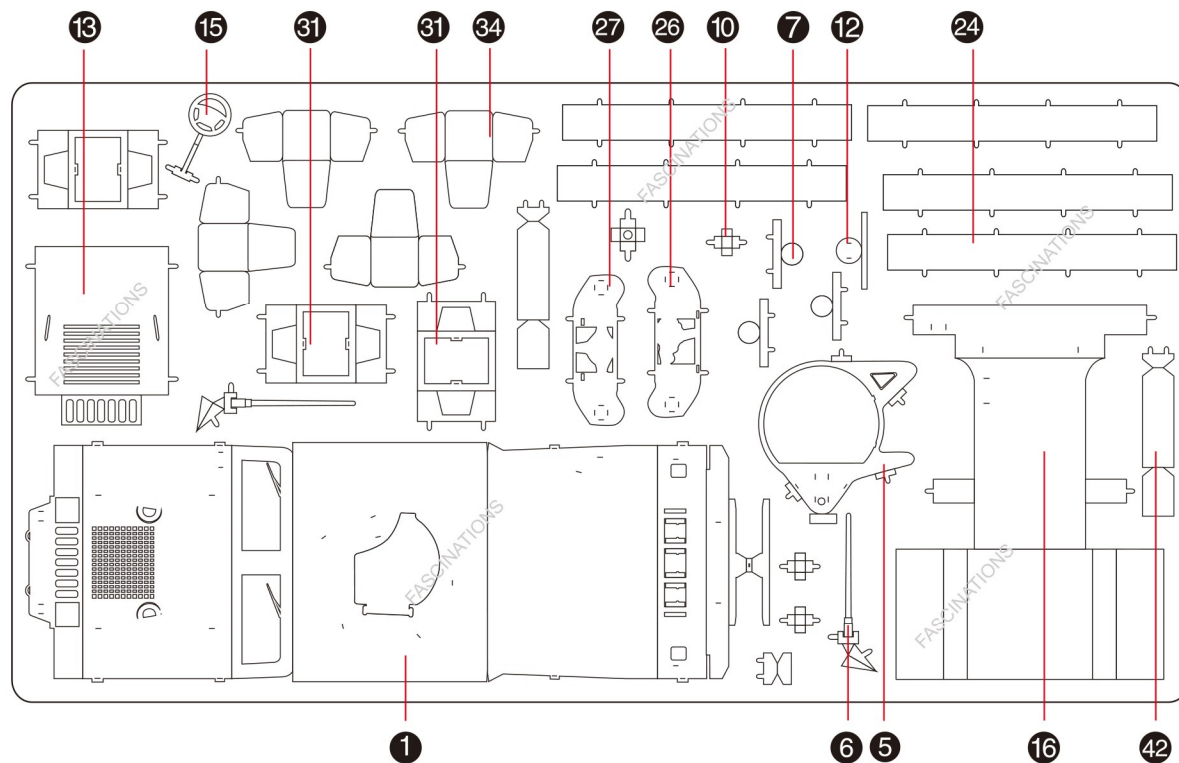
3D METAL MODEL KITS

Go to www.metalearth.com/360/icx008 to see the zoomable PDF version of this instruction sheet

METAL SHEET 1



METAL SHEET 2

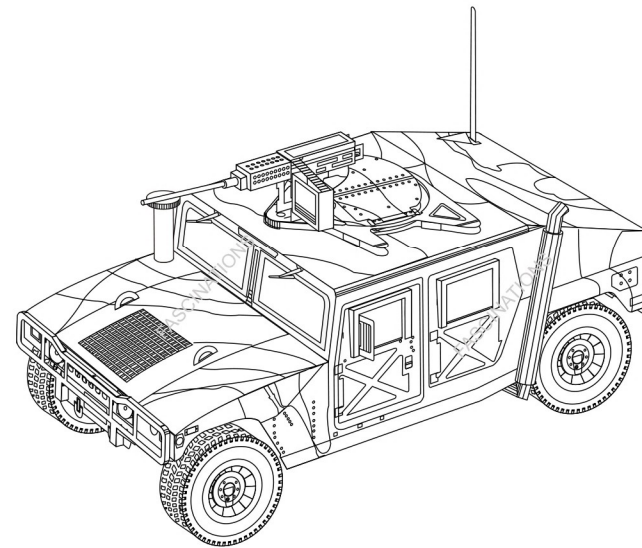


! In order to avoid possible injury from sharp edges, please carefully discard the metal sheets after parts have been removed

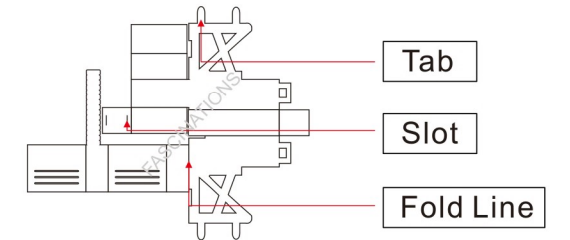
ICX008



4WD Military Automobile



TO CREATE THE BEST CONNECTIONS



Legends:

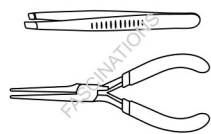
- E** Engraved side
- NE** Non-engraved side
- Attention point
- Insert tab and bend 90 degrees
- Insert tab and twist 90 degrees

Recommended tools:

-Wire cutters: helpful for taking parts from the metal sheets.



-Tweezers or needle nose pliers: helpful for folding parts, bending and twisting tabs.

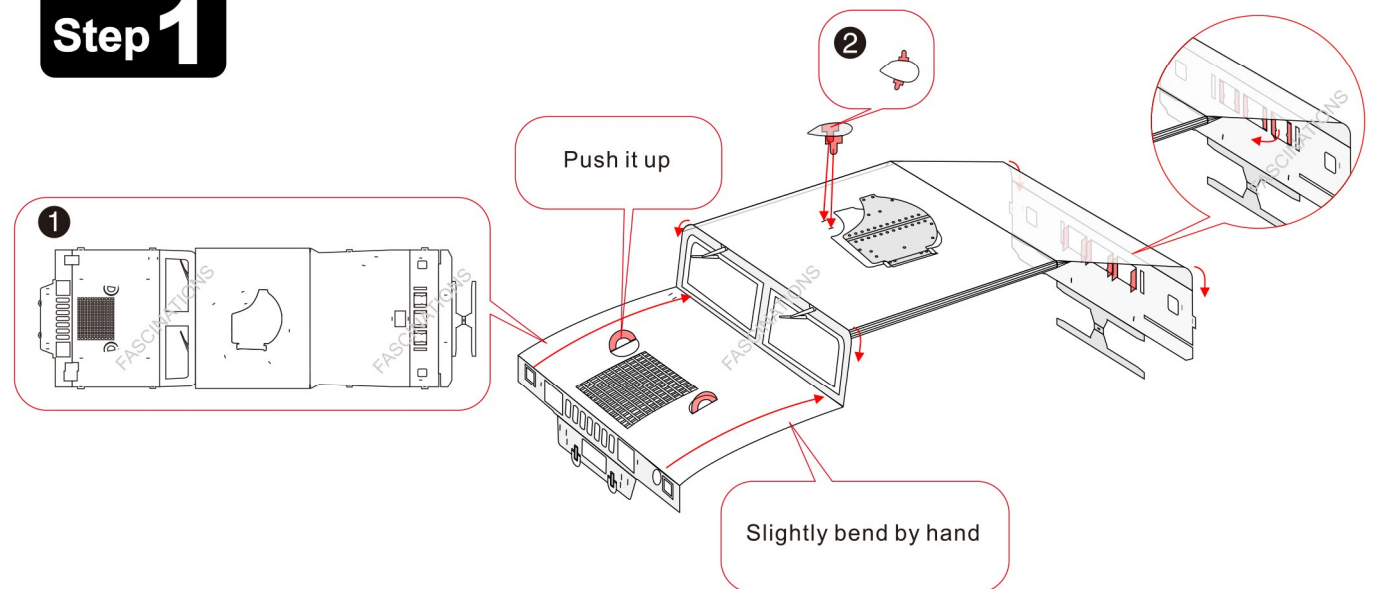


Assembly tip:

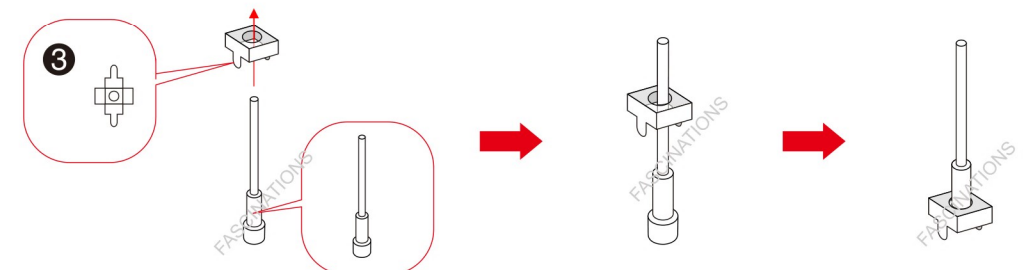
If needed, slightly twist tabs to hold parts together then untwist and bend them down for a nice finish

ASSEMBLY STEPS

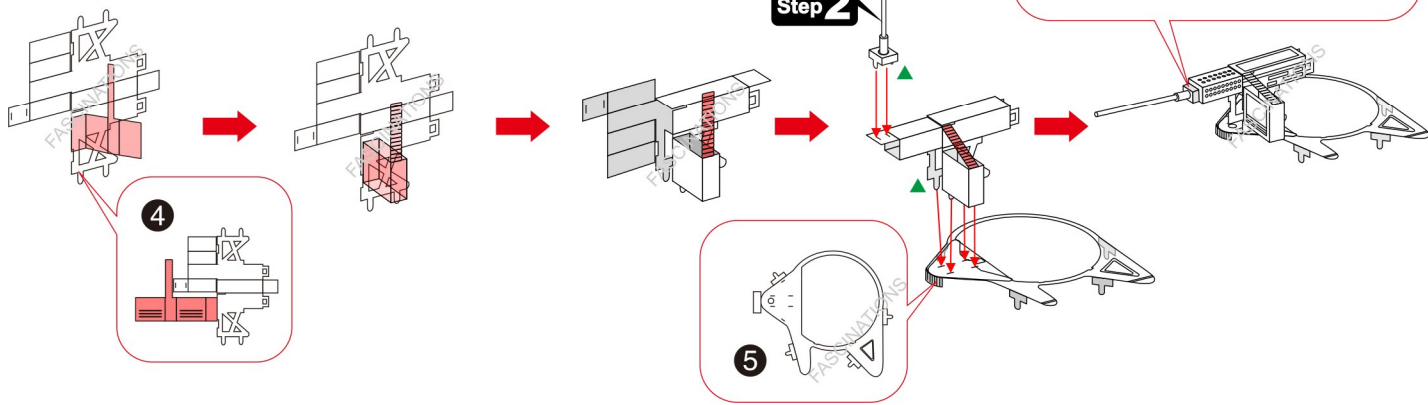
Step 1



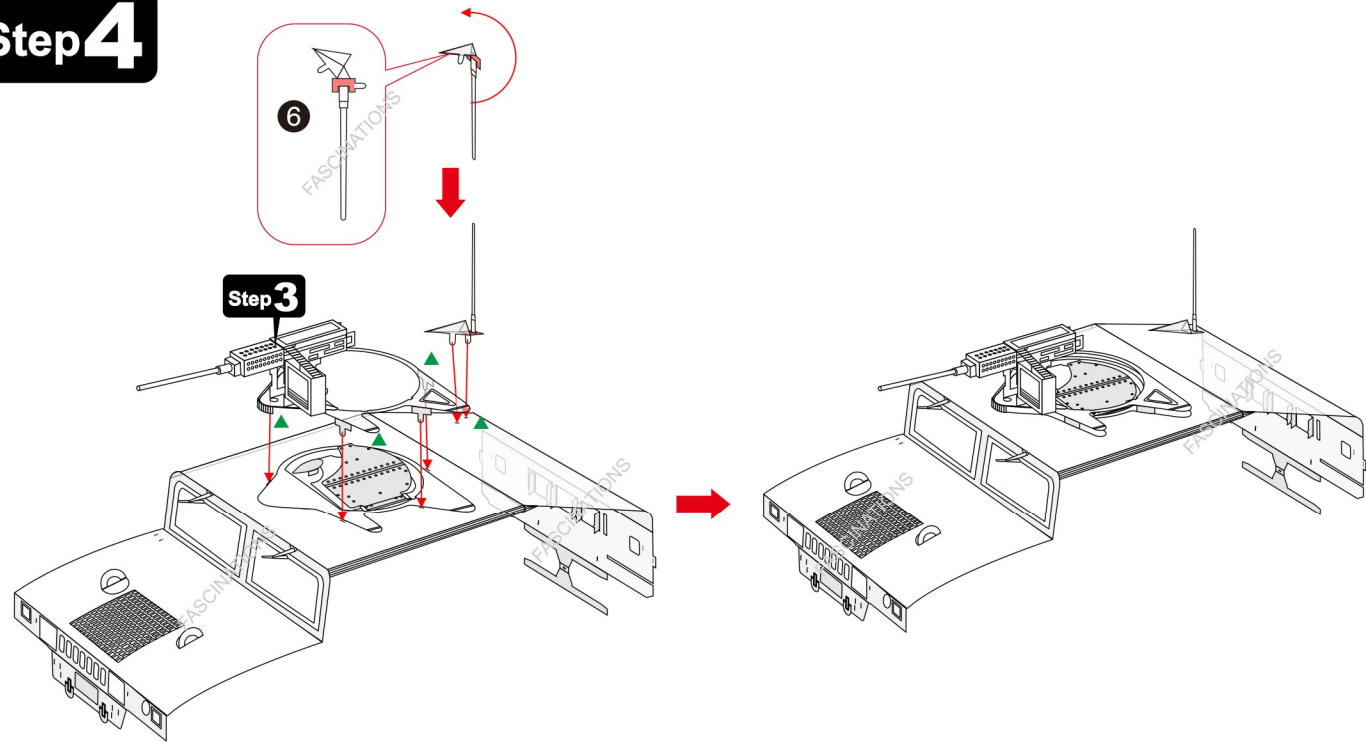
Step 2



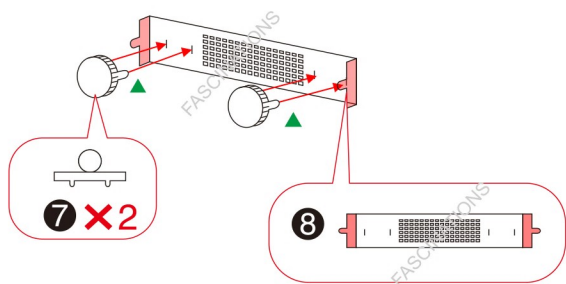
Step 3



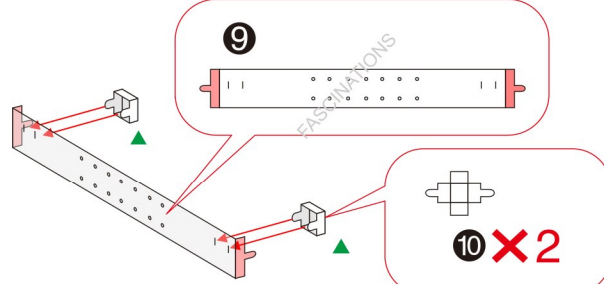
Step 4



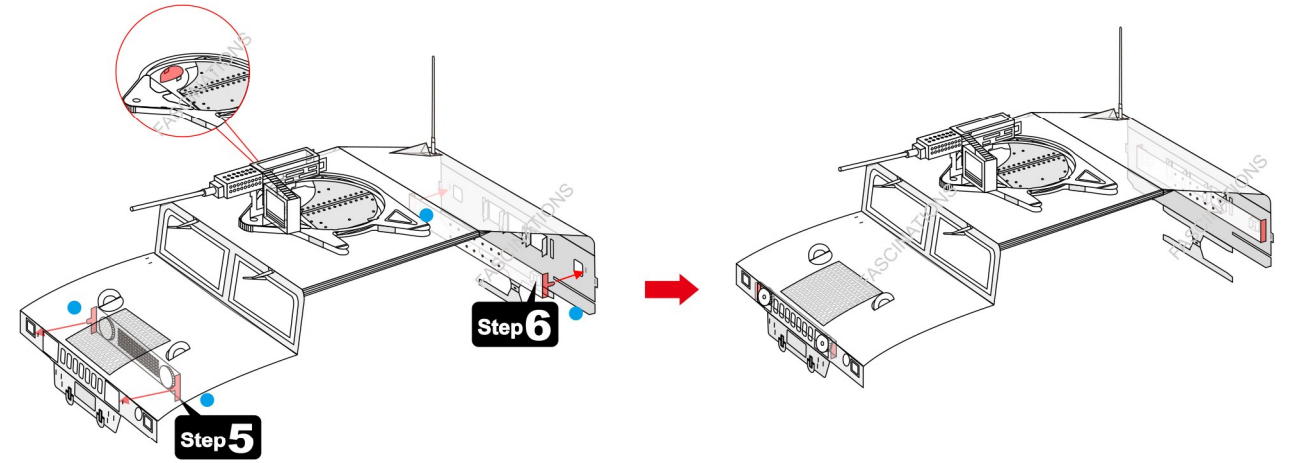
Step 5



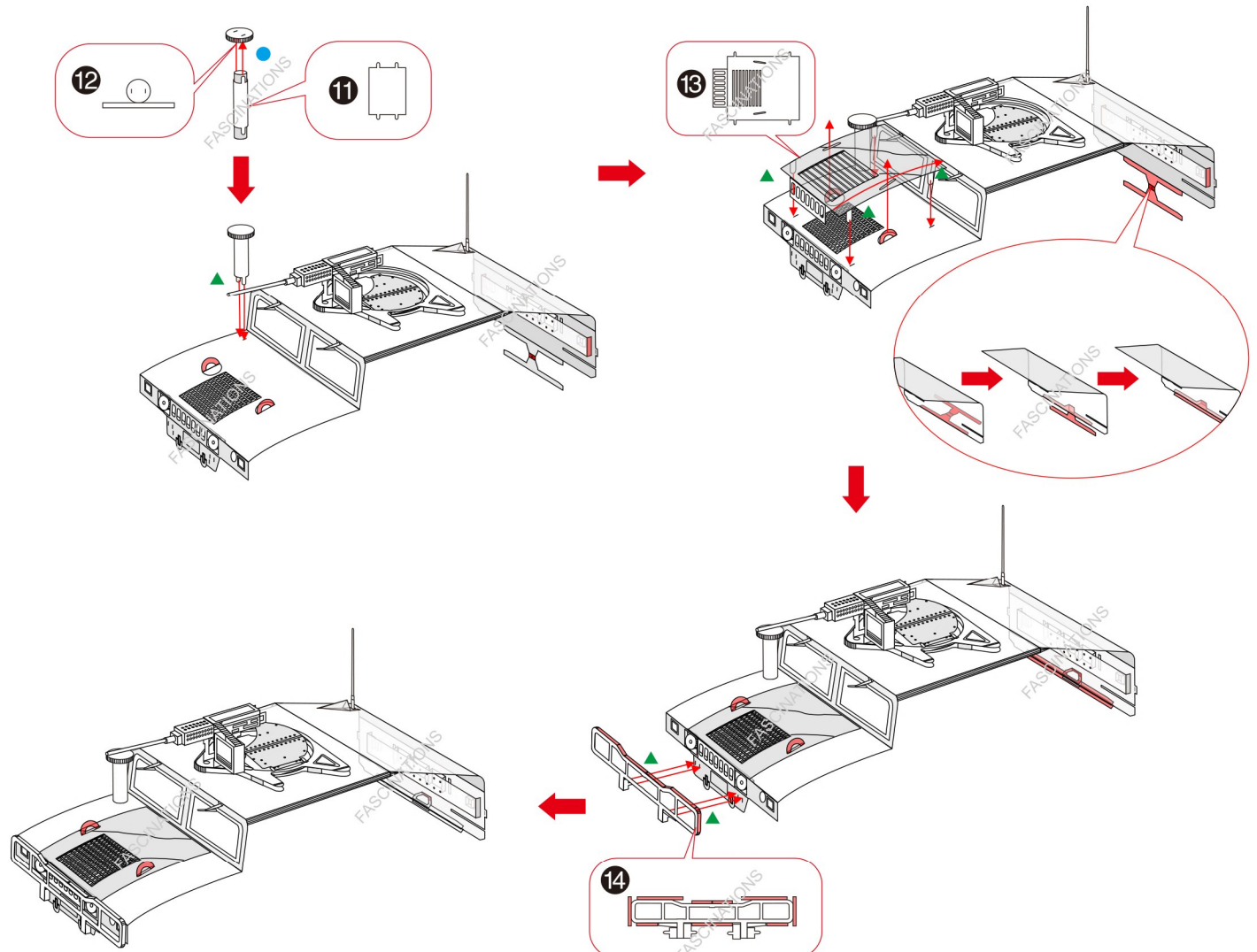
Step 6



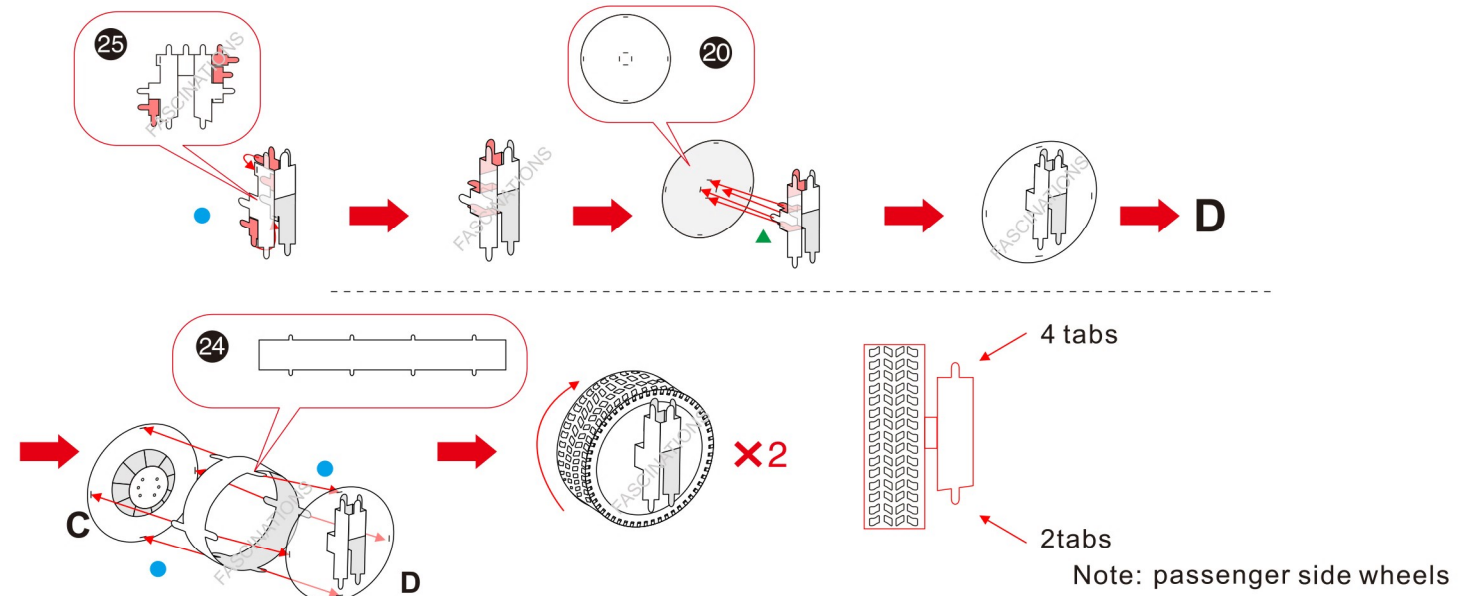
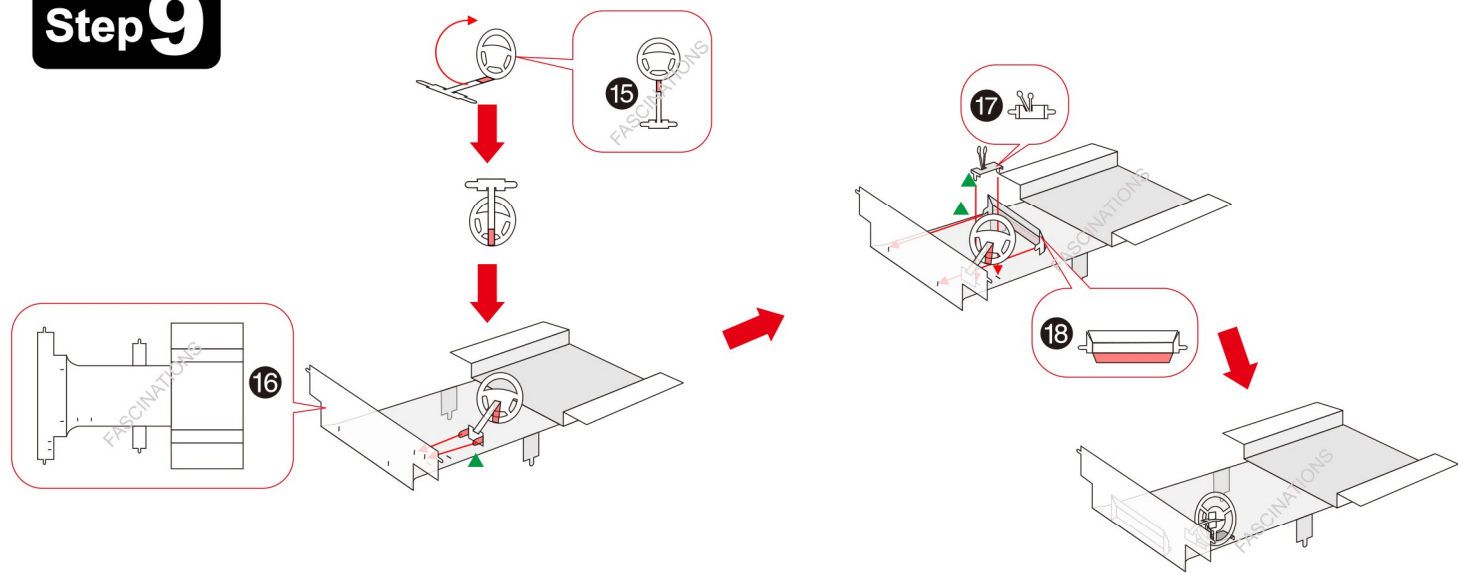
Step 7



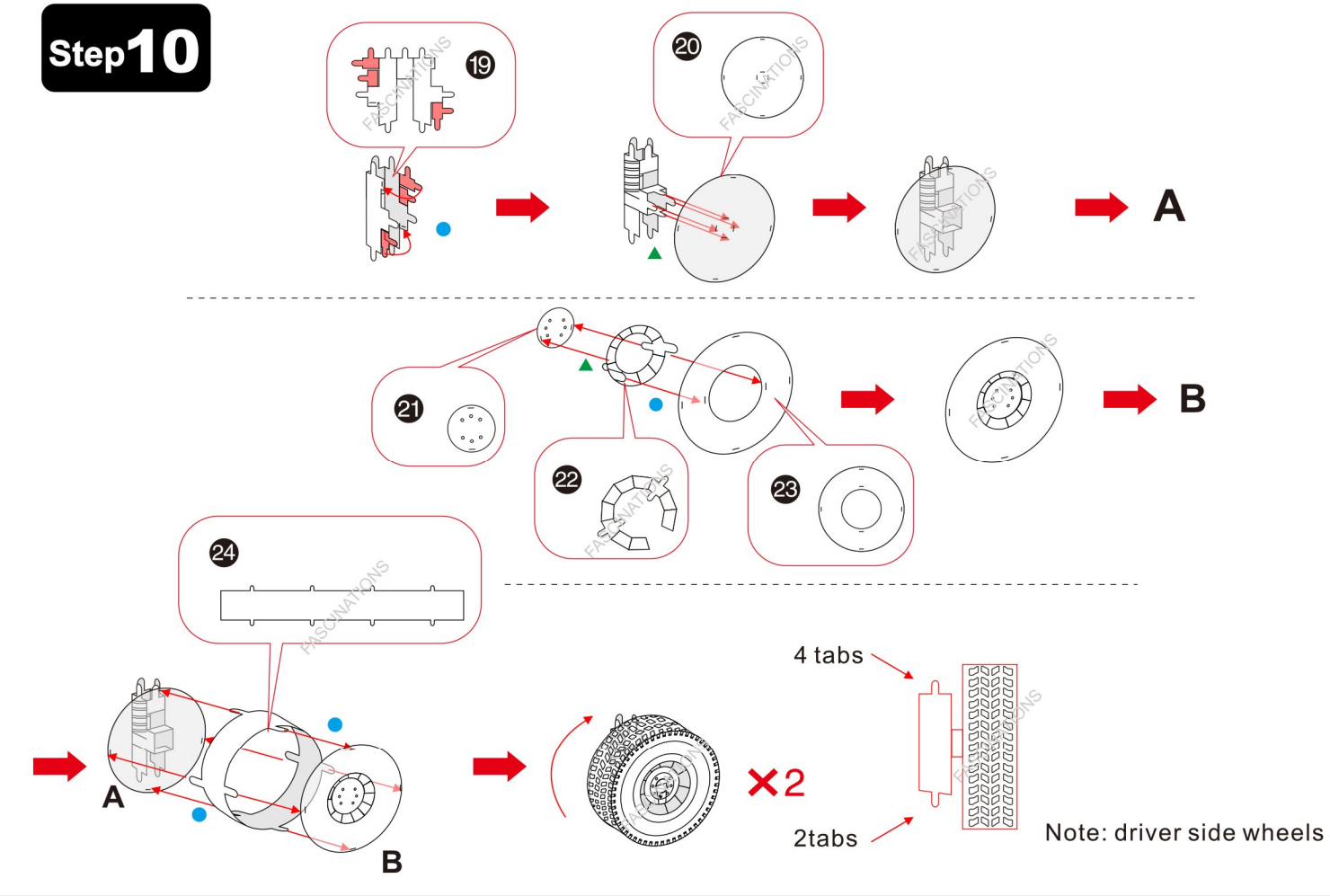
Step 8



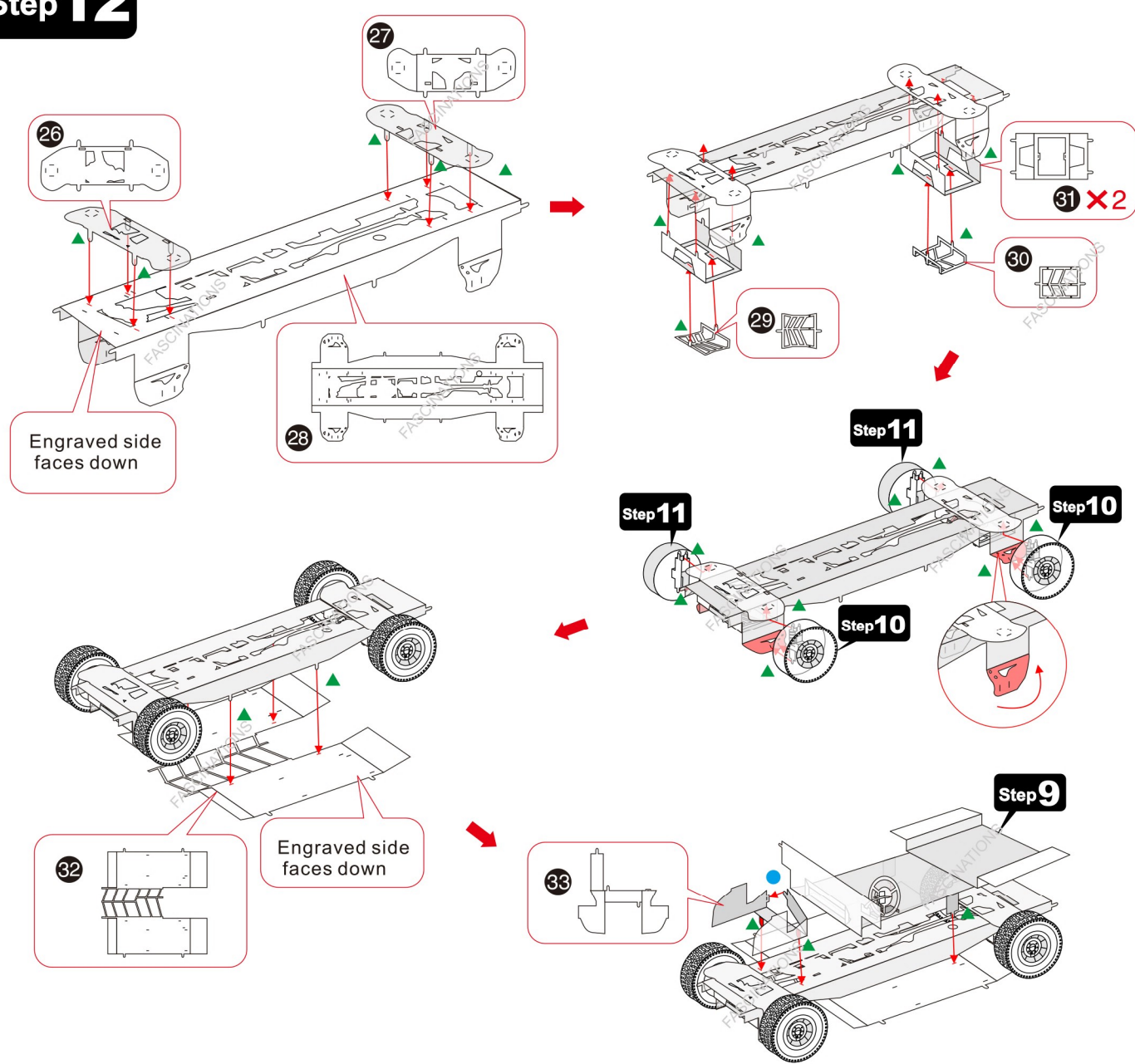
Step 9



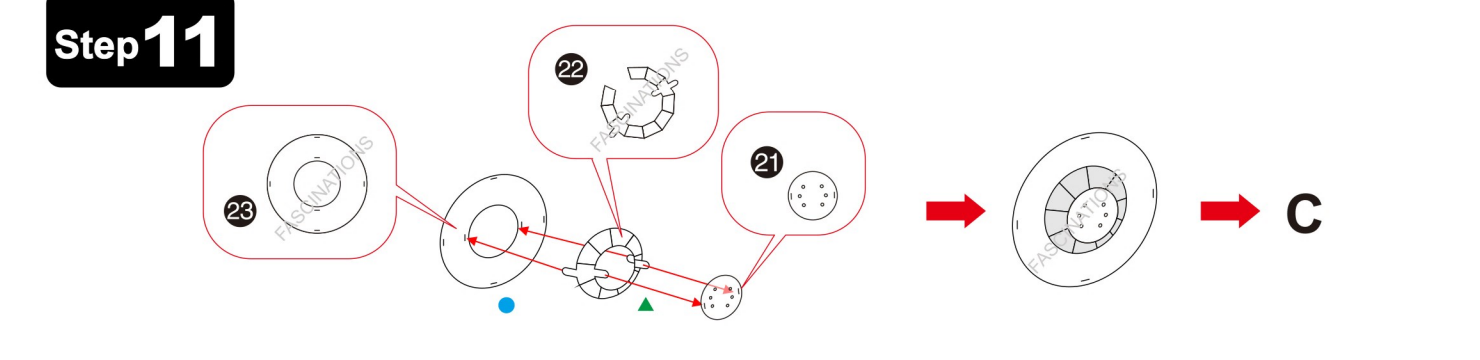
Step 10

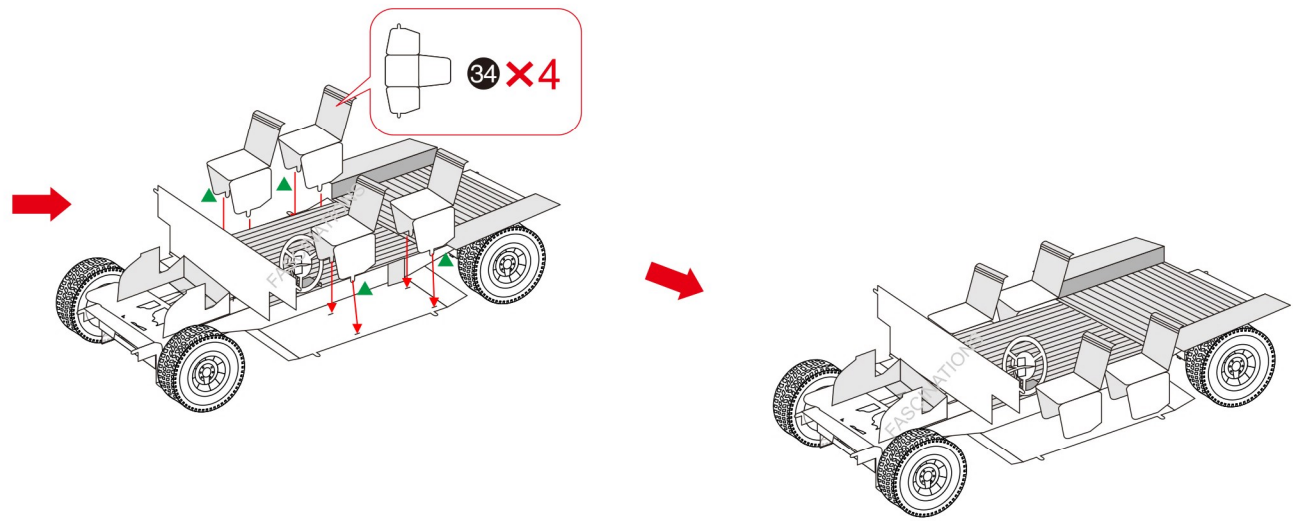


Step 12

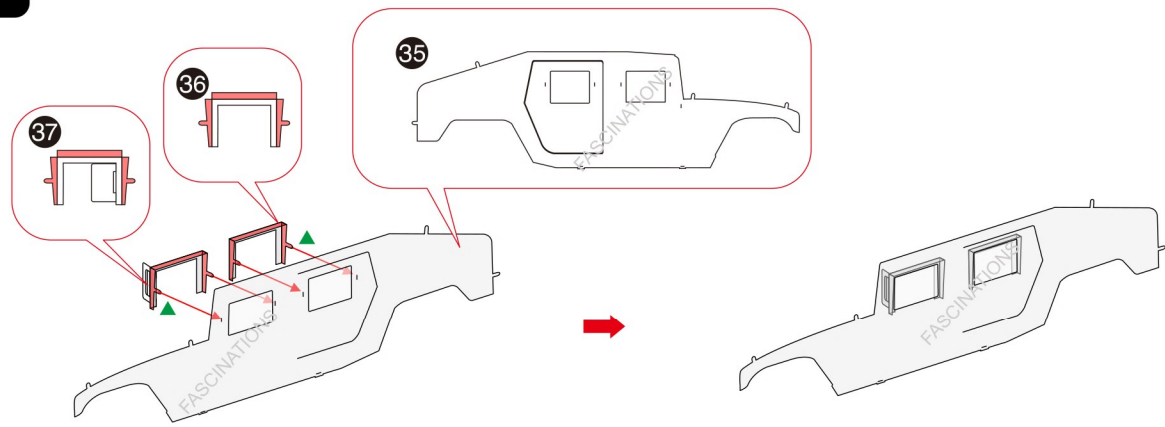


Step 11

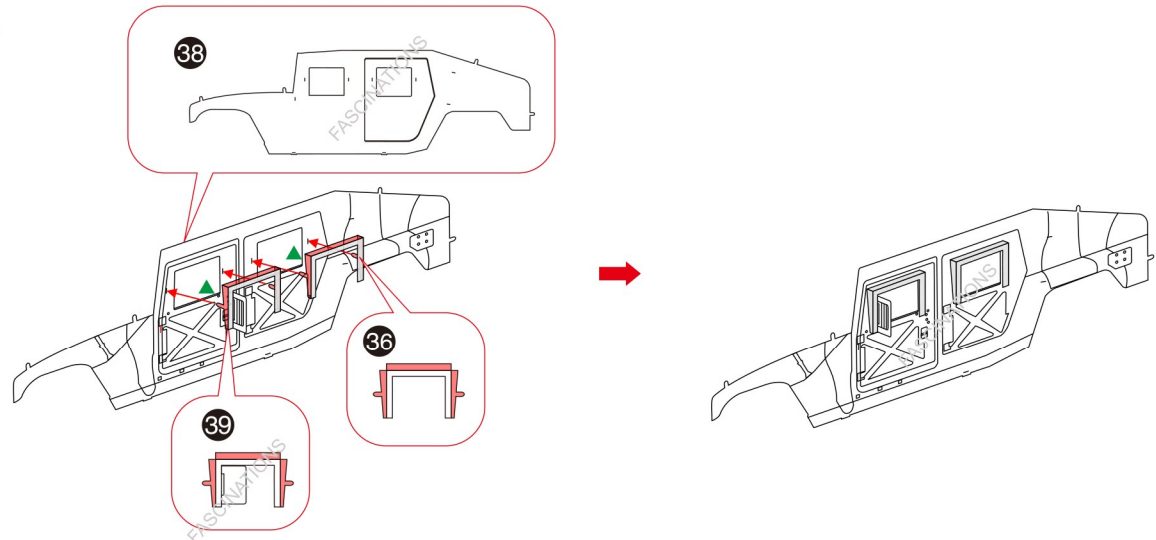




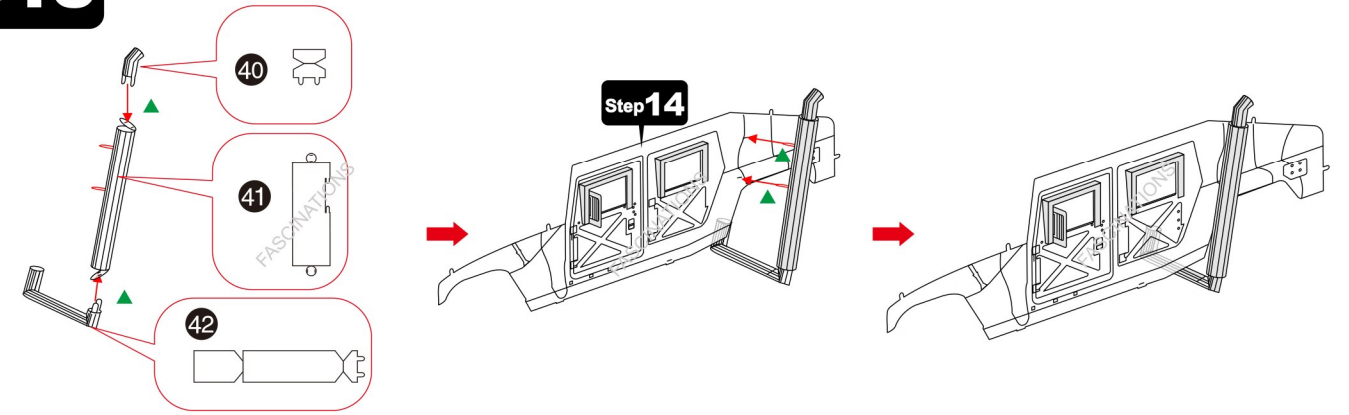
Step13



Step14



Step15



Step16

