

The Leaning Tower of Pisa

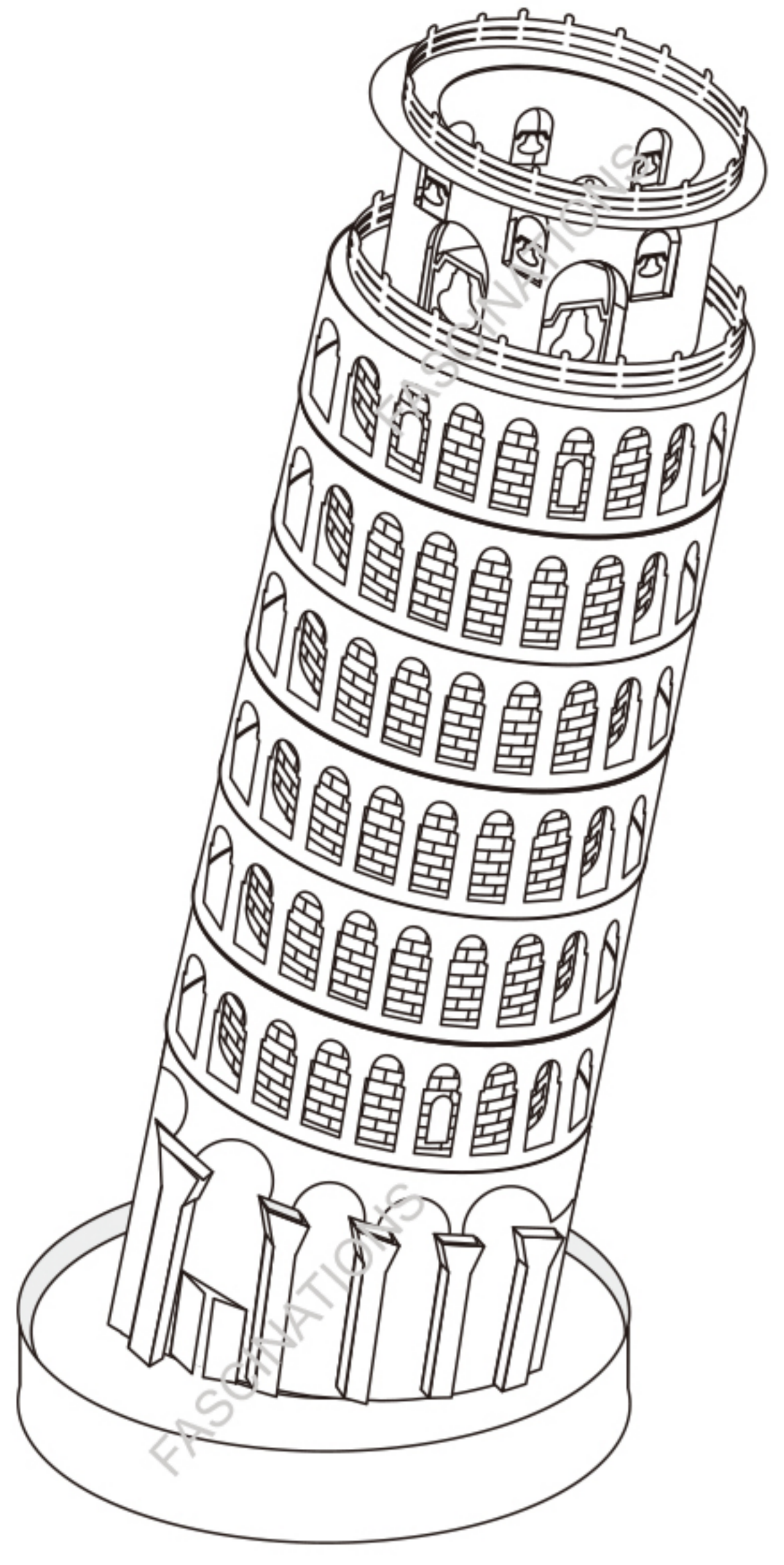
ICONX
3D METAL MODEL KITS



It is highly recommended that you visit www.fascinations.com/iconx360/icx015 to see the completed model before assembling your own

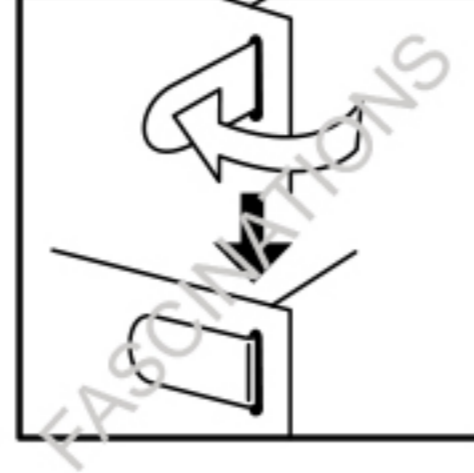
FASCINATIONS, INC.
Seattle, Washington, USA

ICX015

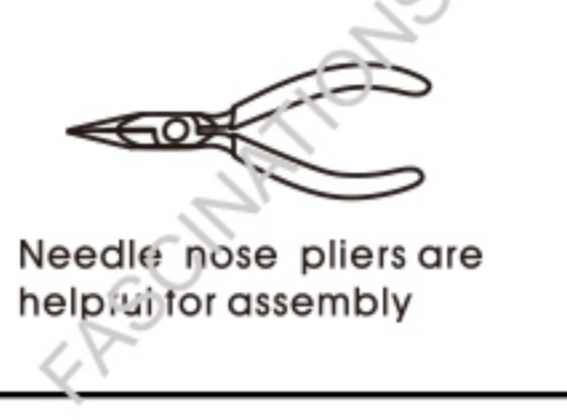
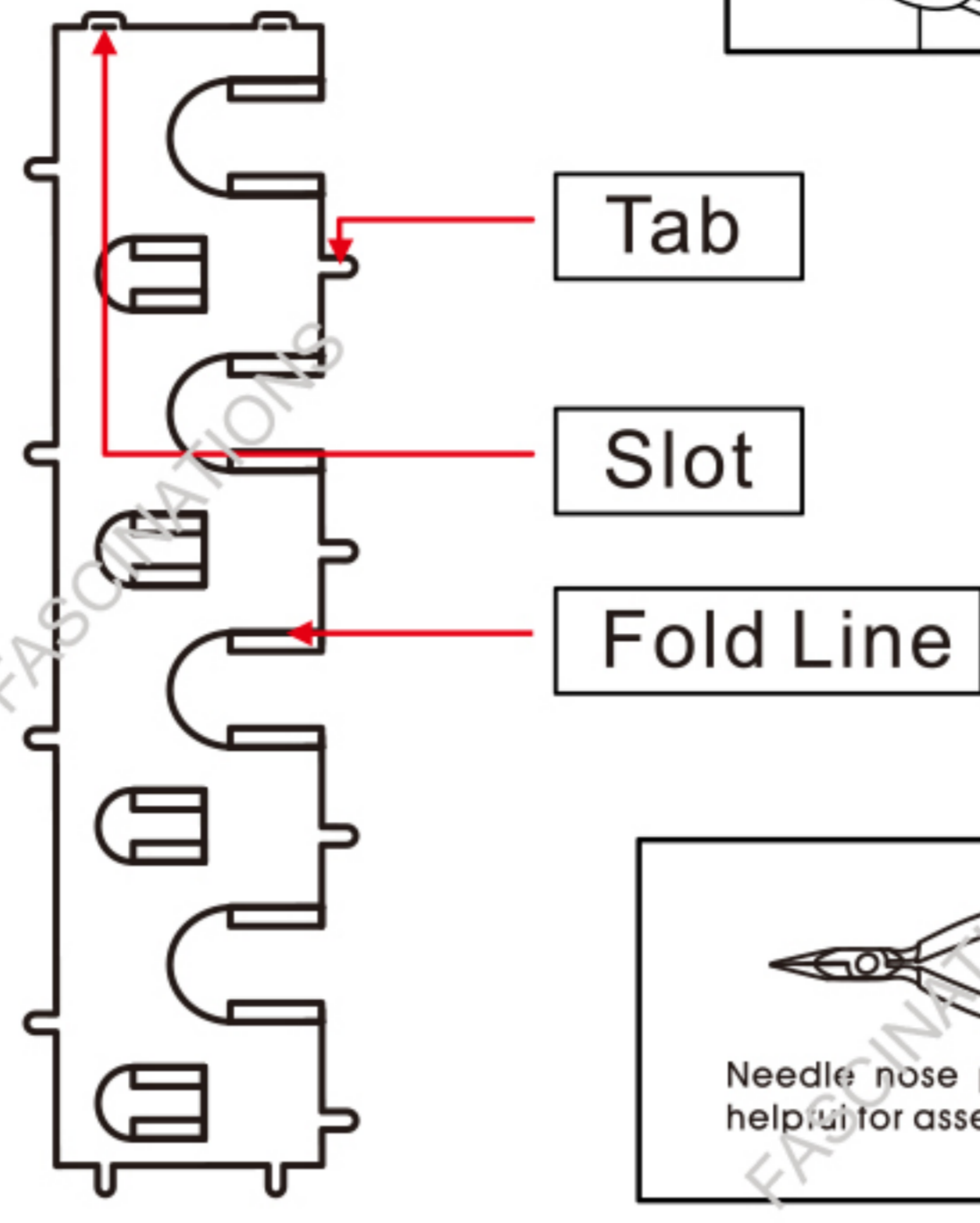
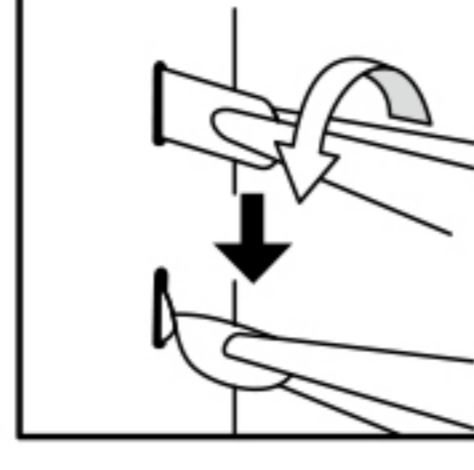


TO CREATE THE BEST CONNECTIONS

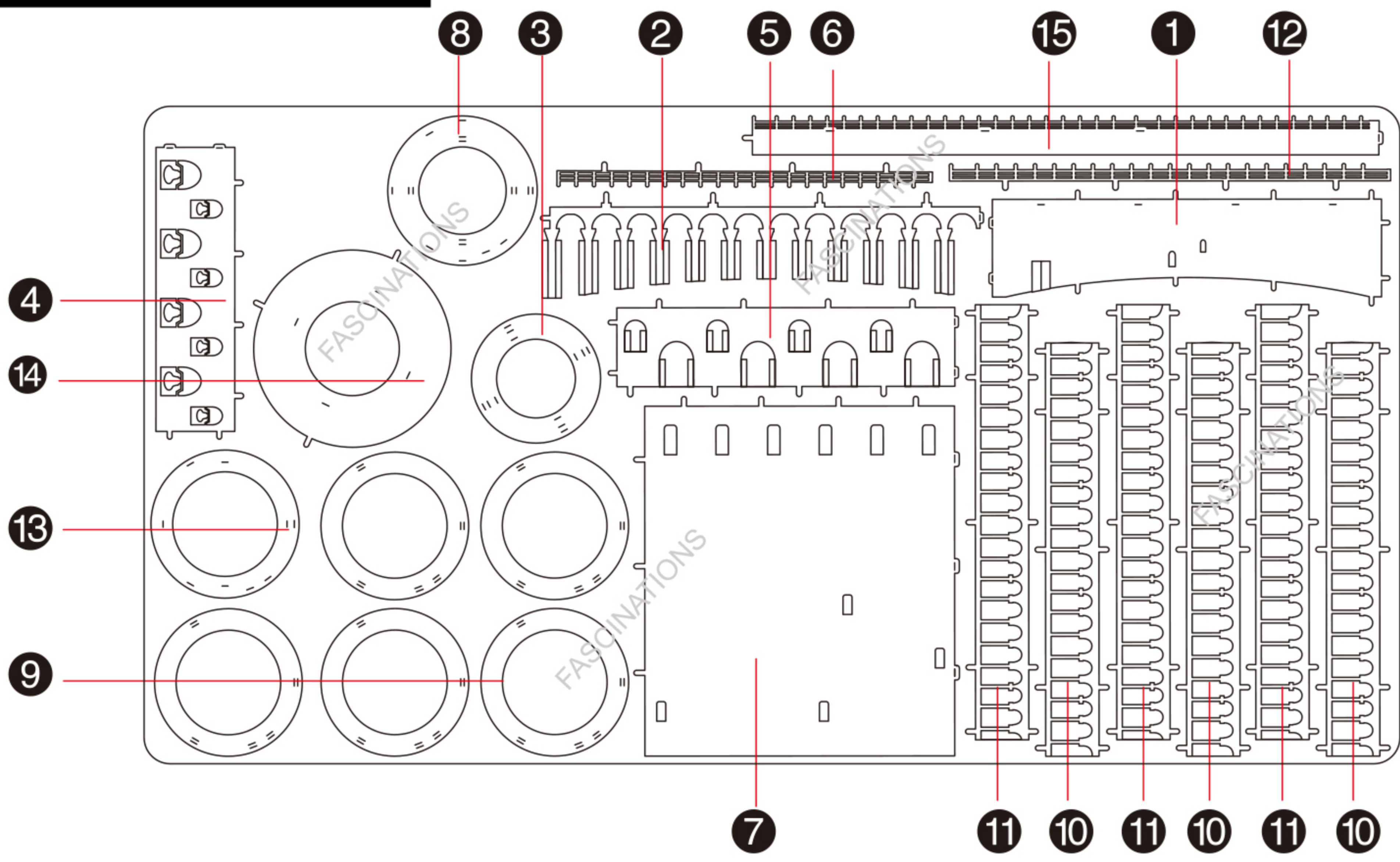
● Insert tab into slot and bend 90 degrees



▲ Insert tab into slot and twist 90 degrees



METAL SHEET

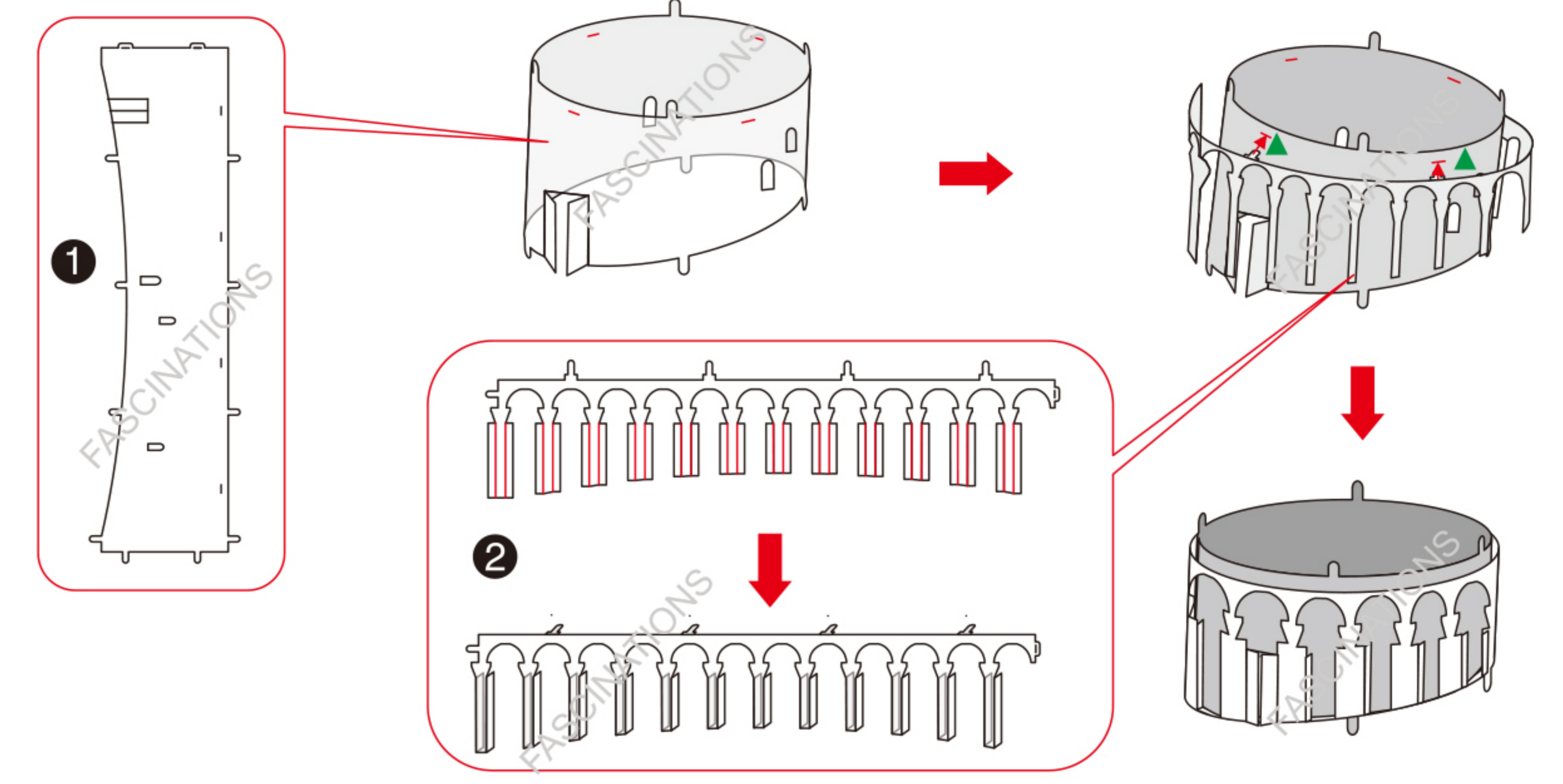


! In order to avoid possible injury from sharp edges, please carefully discard the metal sheet after parts have been removed.

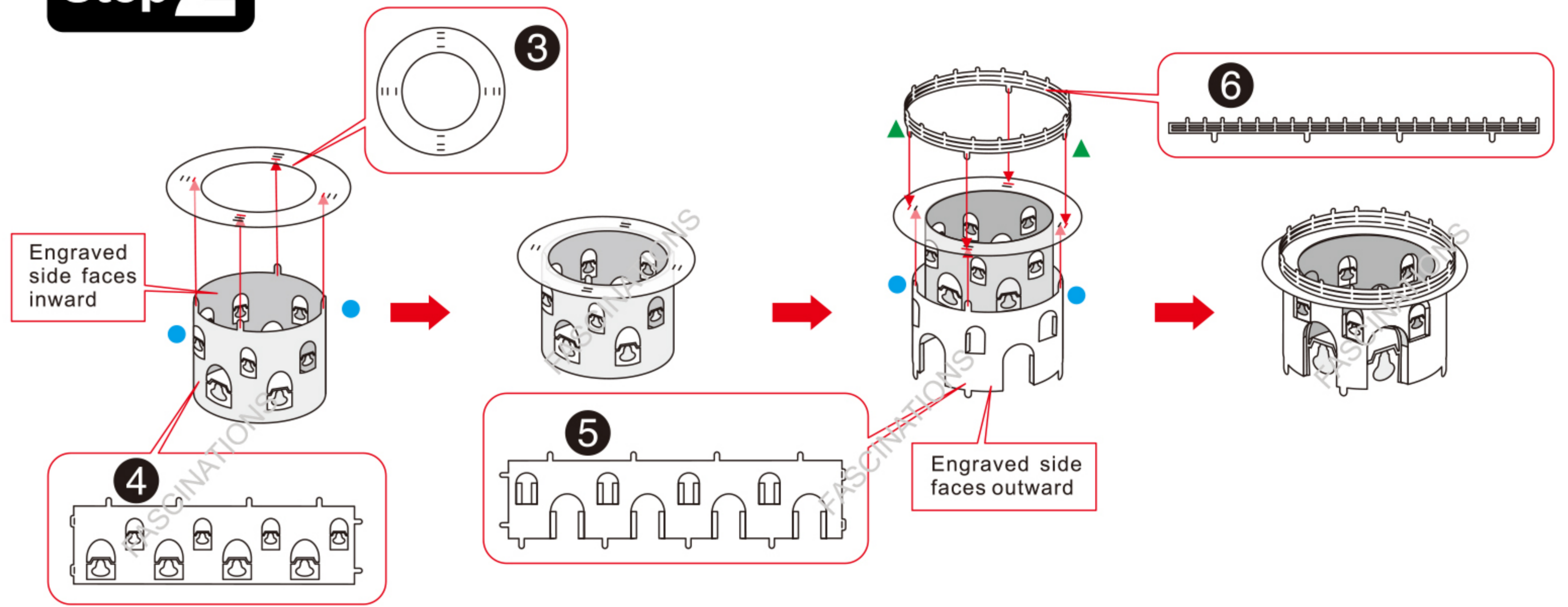
Go to www.fascinations.com/iconx360/icx015 to see the zoomable PDF version of this instruction sheet

ASSEMBLY STEPS

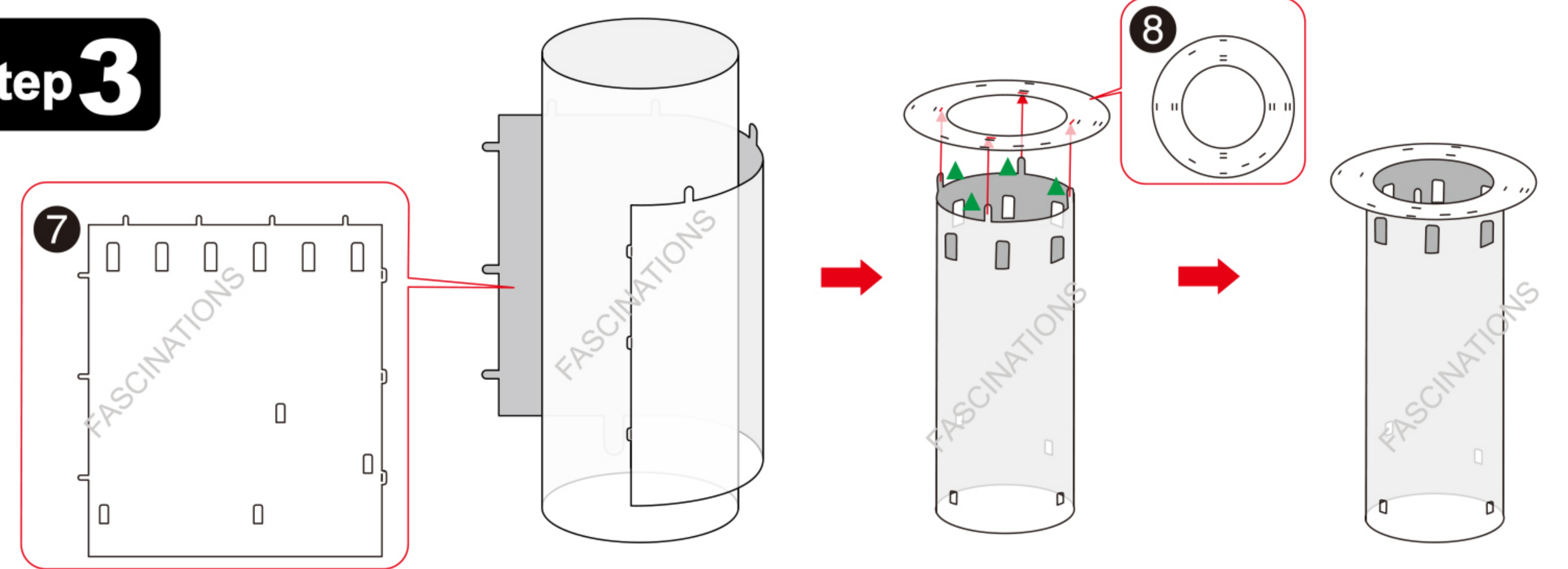
Step 1



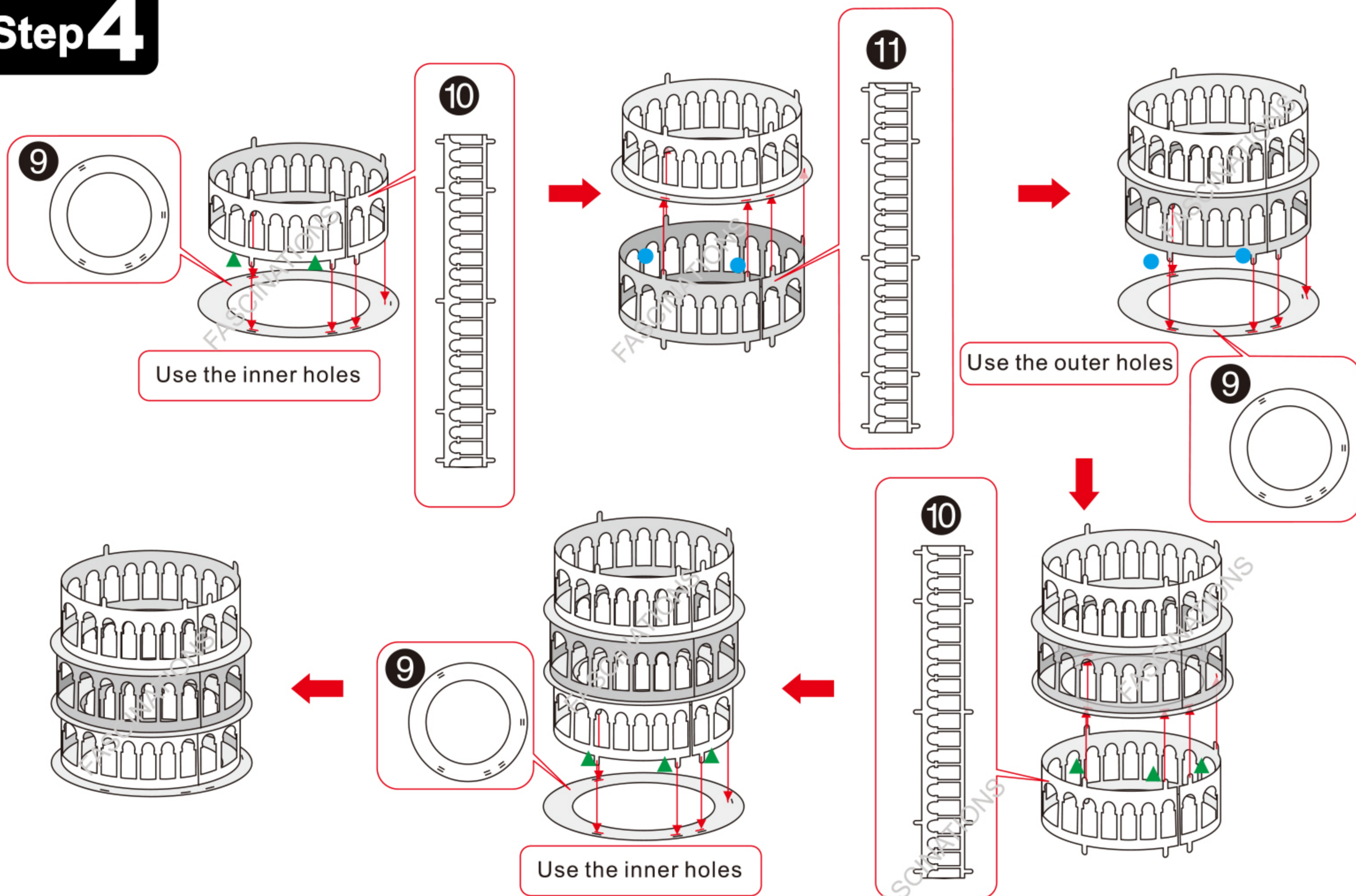
Step 2



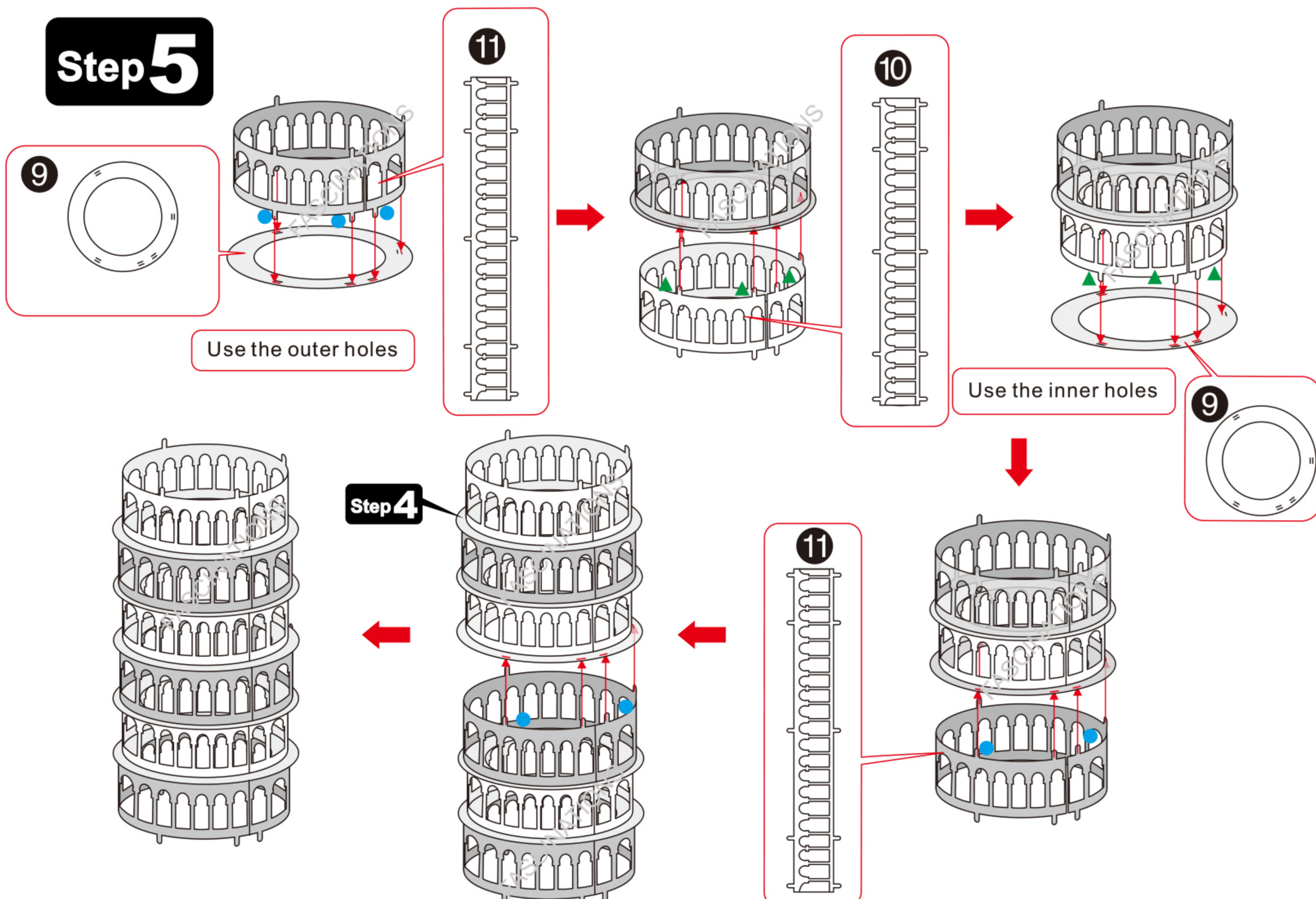
Step 3



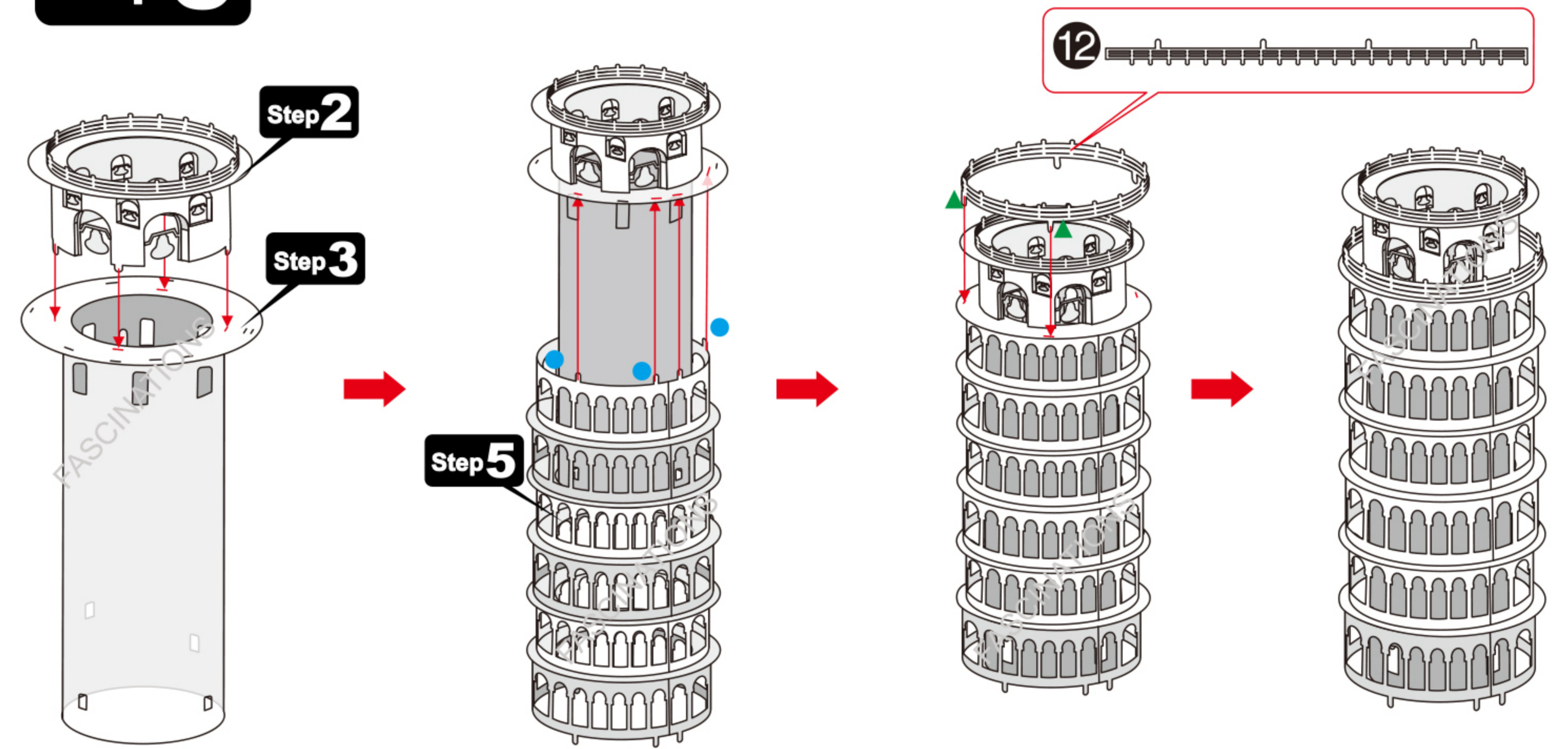
Step 4



Step 5



Step 6



Step 7

