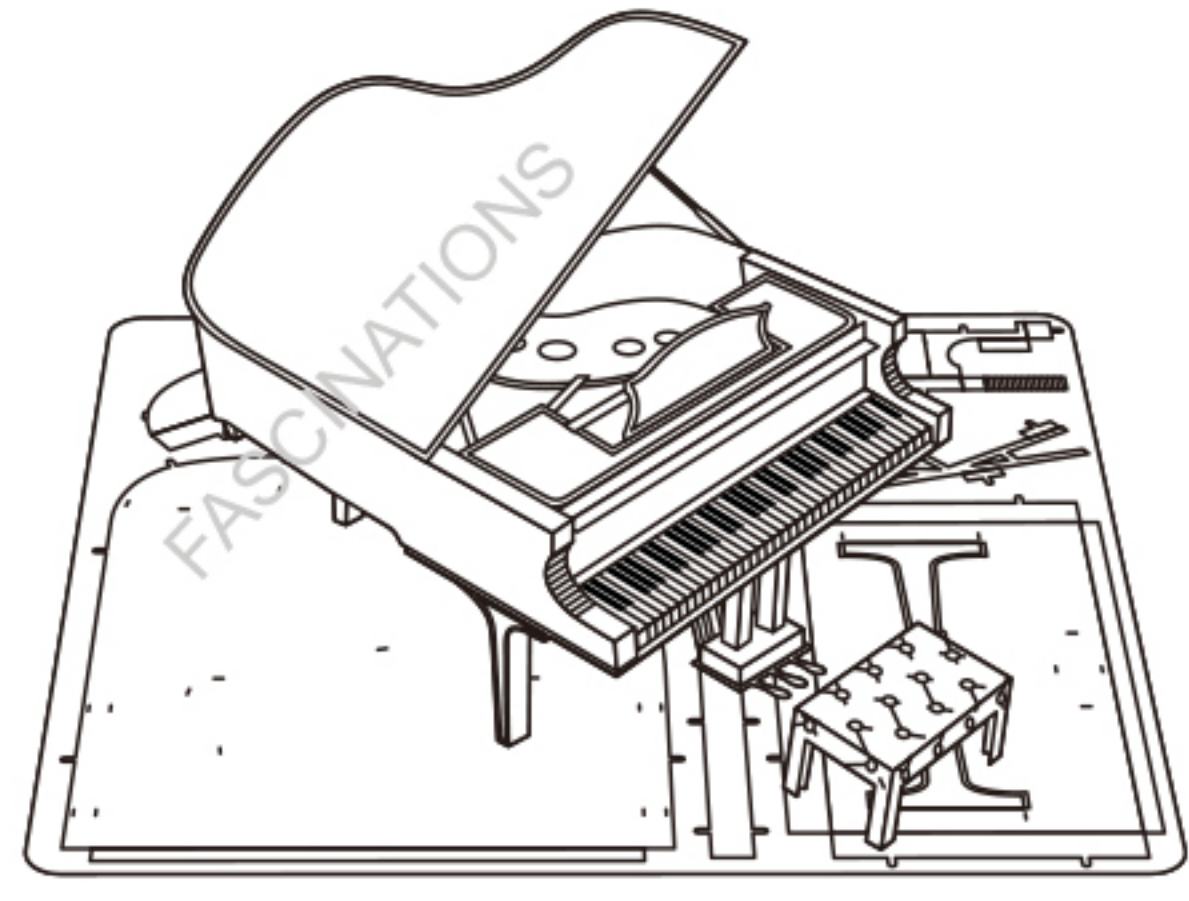


# Metal Earth

3D METAL MODEL KITS



Grand Piano  
Item No. MMS080



It is highly recommended that you visit [www.metalearth.com/360/mms080](http://www.metalearth.com/360/mms080) to see the completed model before assembling your own

**Legends:**

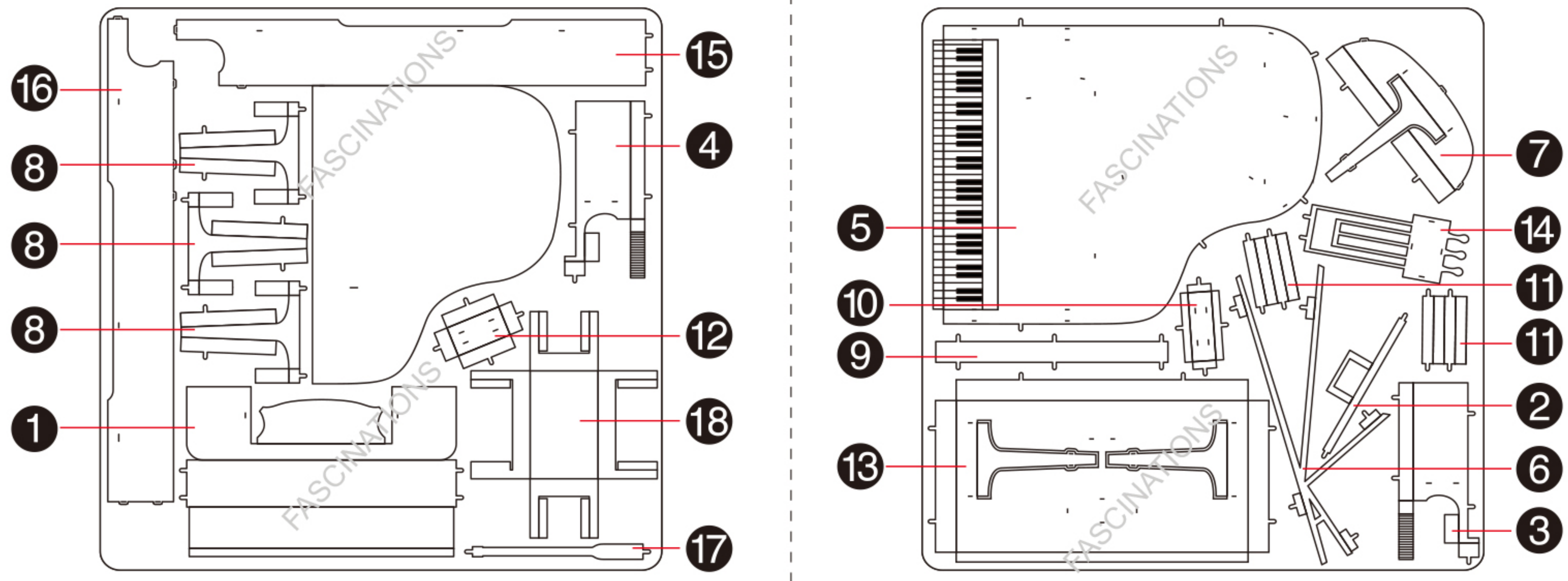
- E** Engraved side
- NE** Non-engraved side
- Hand icon** Attention point
- Blue circle** Insert tab and bend 90 degrees
- Green triangle** Insert tab and twist 90 degrees

**Recommended tools:**

- Wire cutters: helpful for taking parts from the metal sheets.
- Tweezers or needle nose pliers: helpful for folding parts, bending and twisting tabs.

**Assembly tip:**  
If needed, slightly twist tabs to hold parts together then untwist and bend them down for a nice finish

### Metal sheets



**!** In order to avoid possible injury from sharp edges, please carefully discard the metal sheet after parts have been removed

### Assembly Flow Chart

