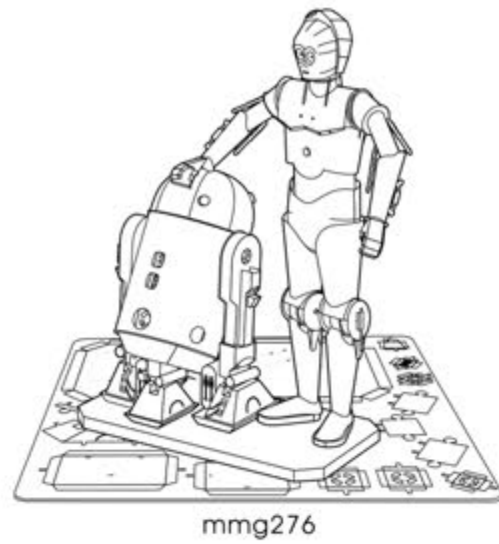


STAR WARS™

METAL EARTH™ 3D METAL MODEL KITS



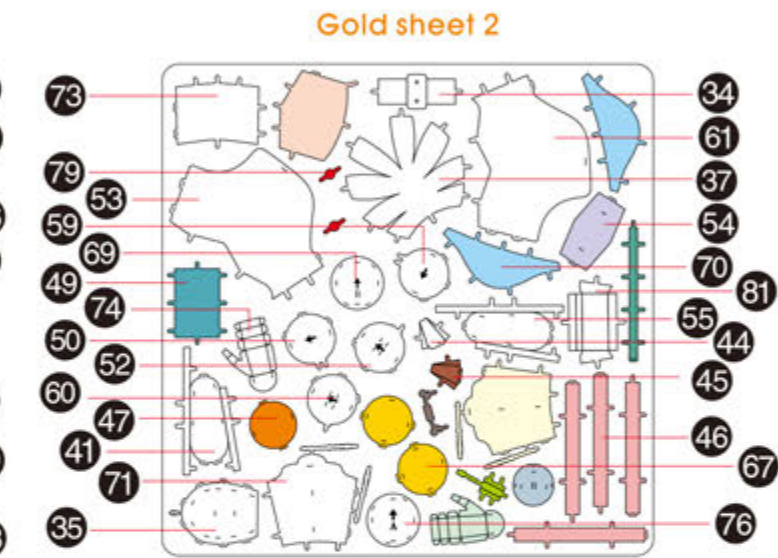
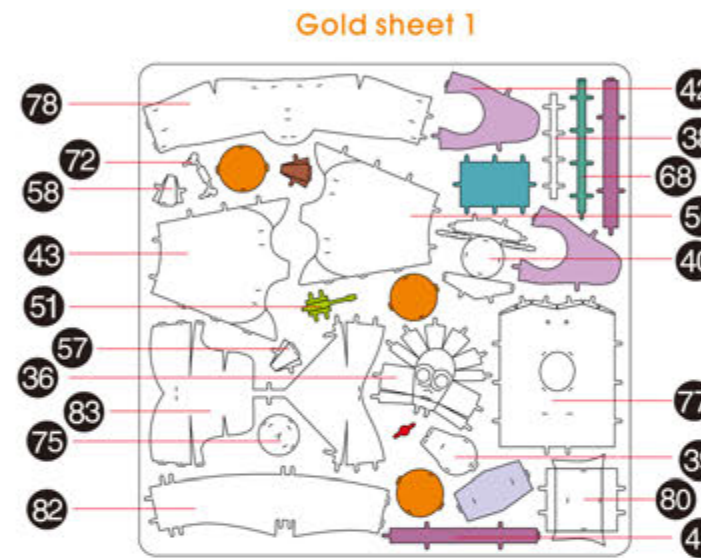
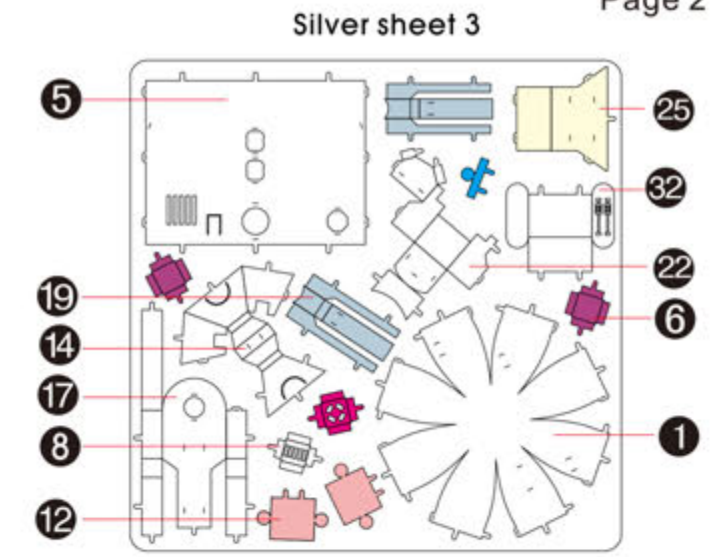
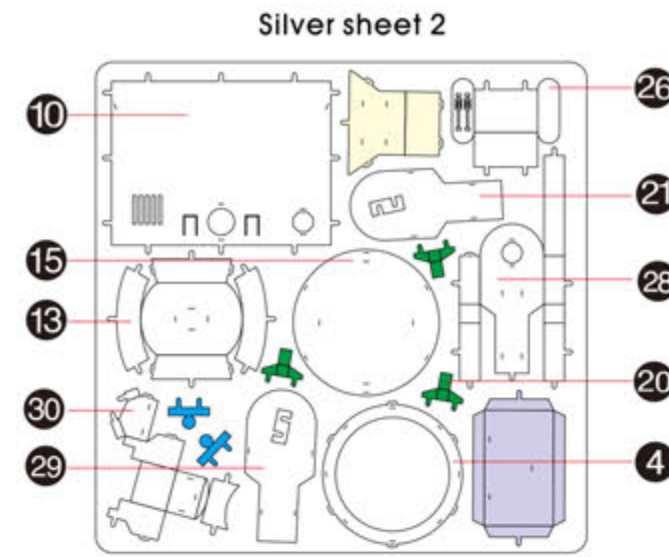
mmg276

R2-D2™ & C-3PO™

360°
view



It is highly recommended that you visit www.fascinations.com/metalearth360/mmg276 to see the completed model before assembling your own



To create the best connections

- Insert tab and bend 90 degrees for most visible areas
- Insert tab and twist 90 degrees is best in some areas to ensure a tight connection

Legends:

- Mirror finish
- Engraved side Color side
- Non-engraved side Non-color side
- Attention point

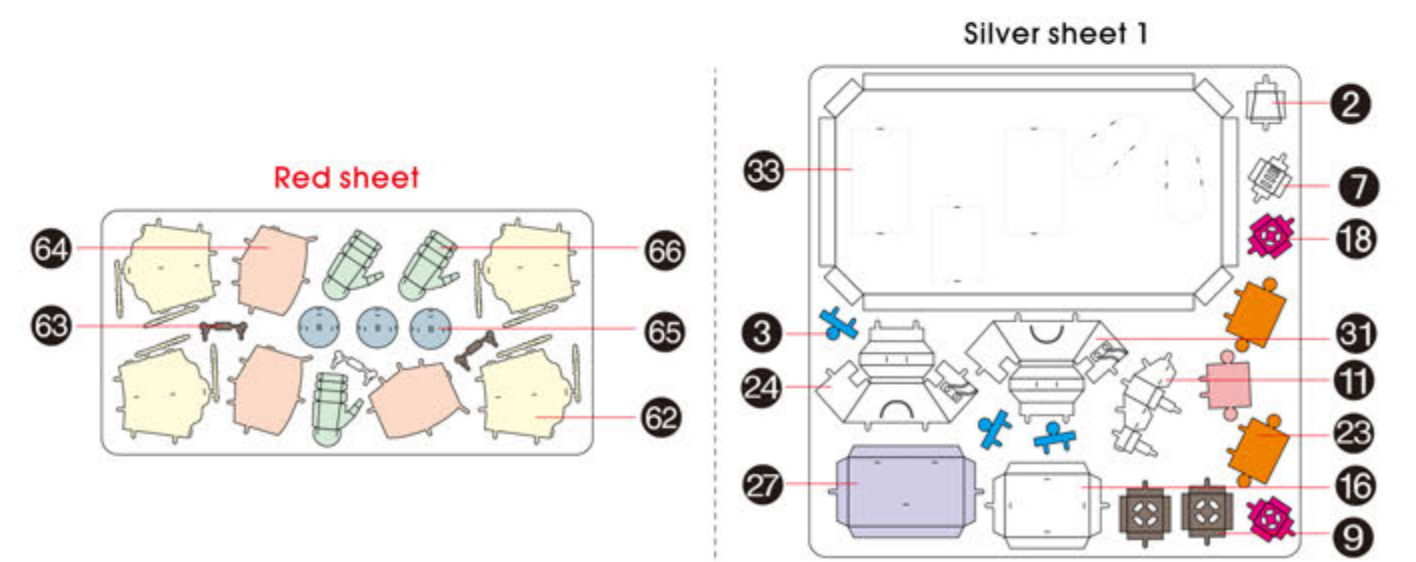
Needle nose pliers are helpful for assembly

Insertion tabs are inserted and then folded

Insertion holes

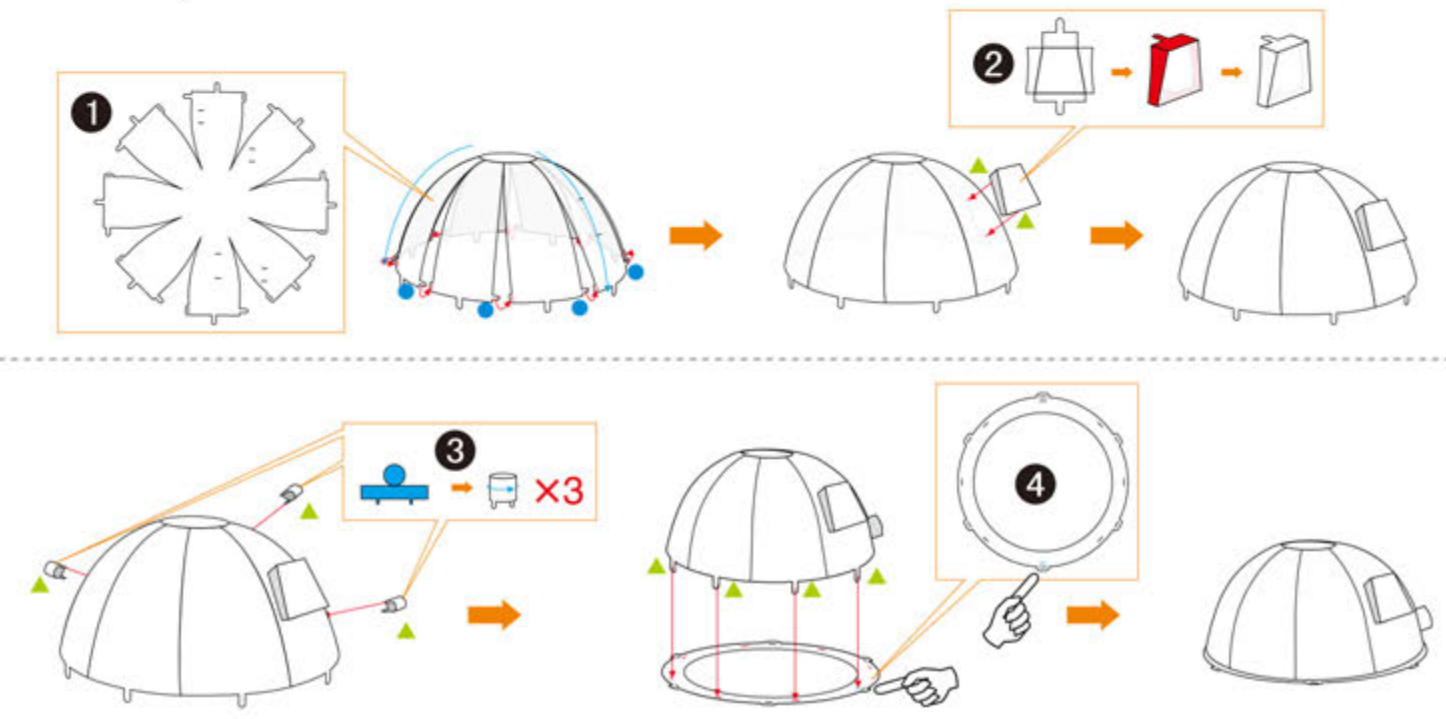
Fold lines can be seen as shown here

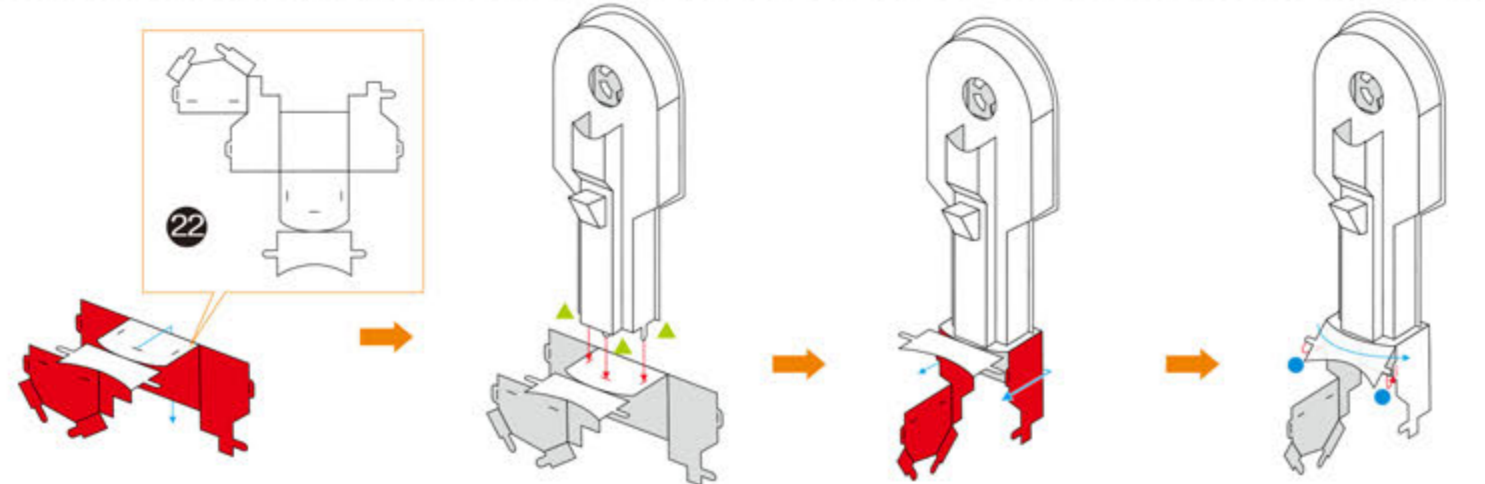
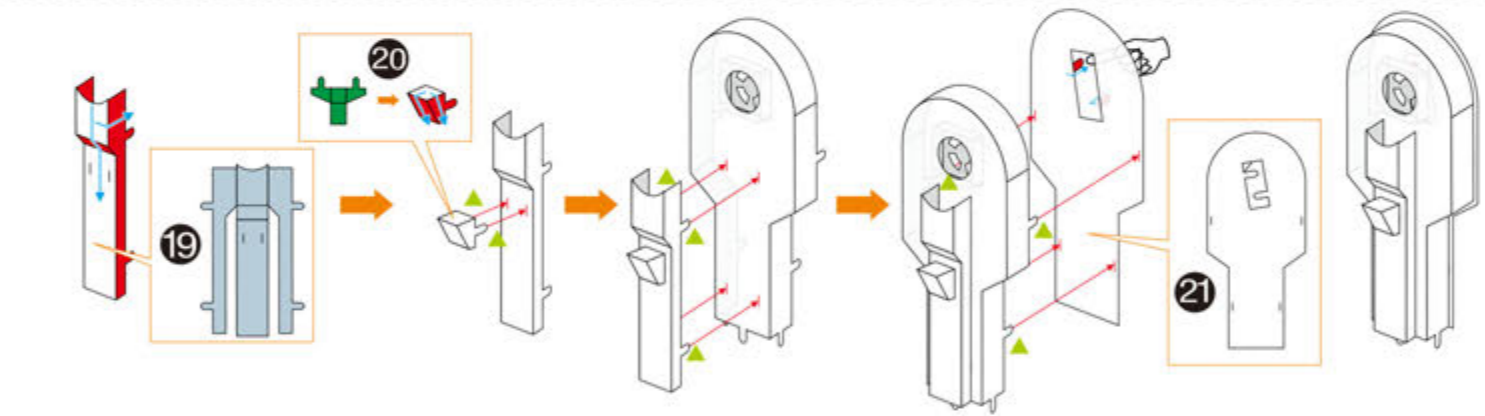
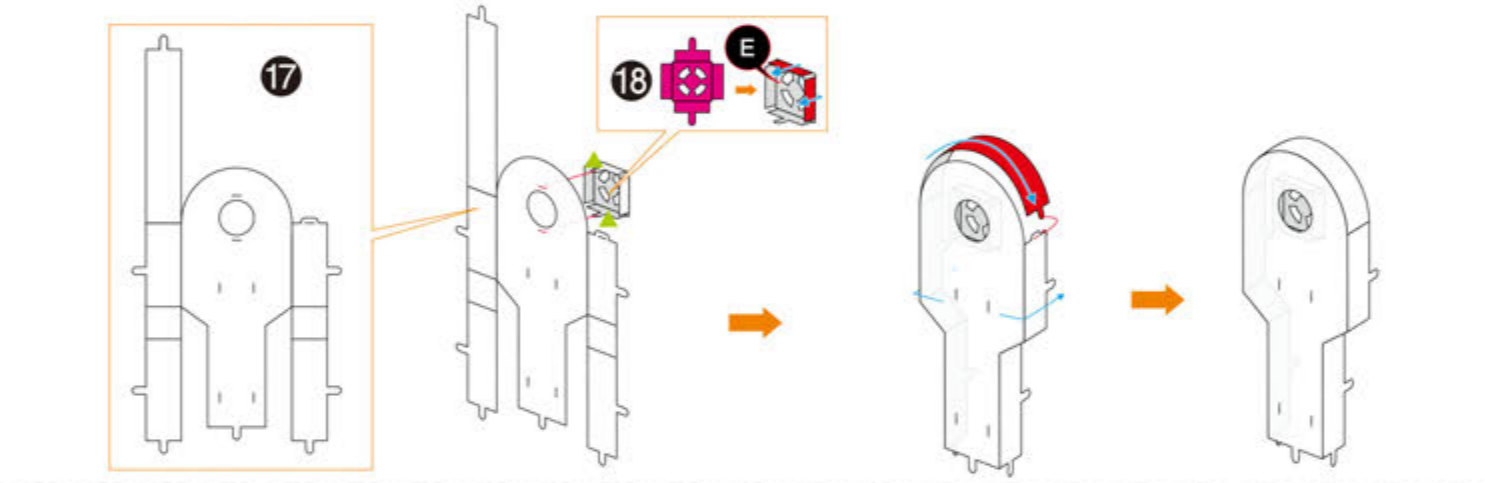
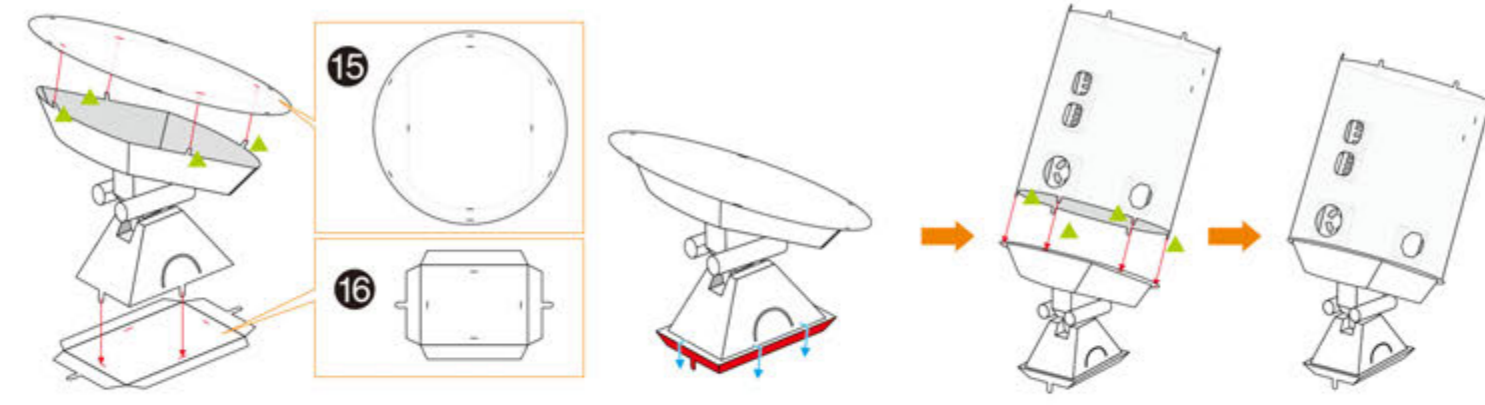
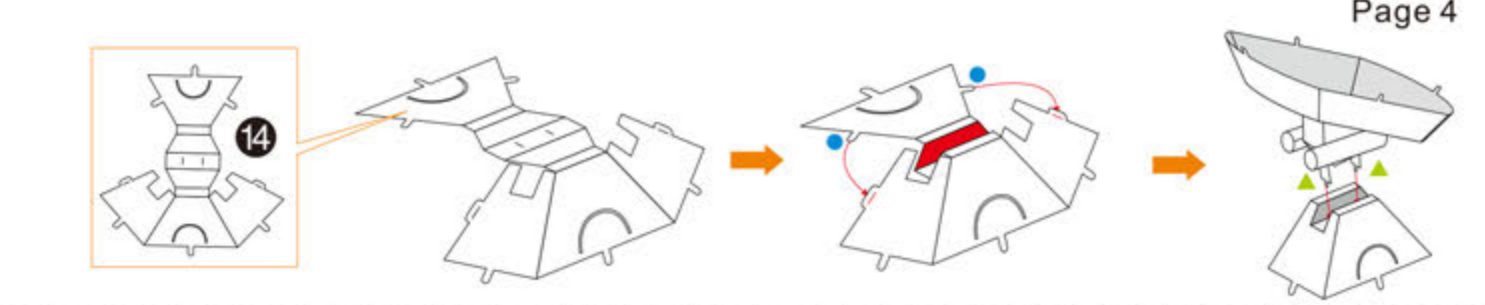
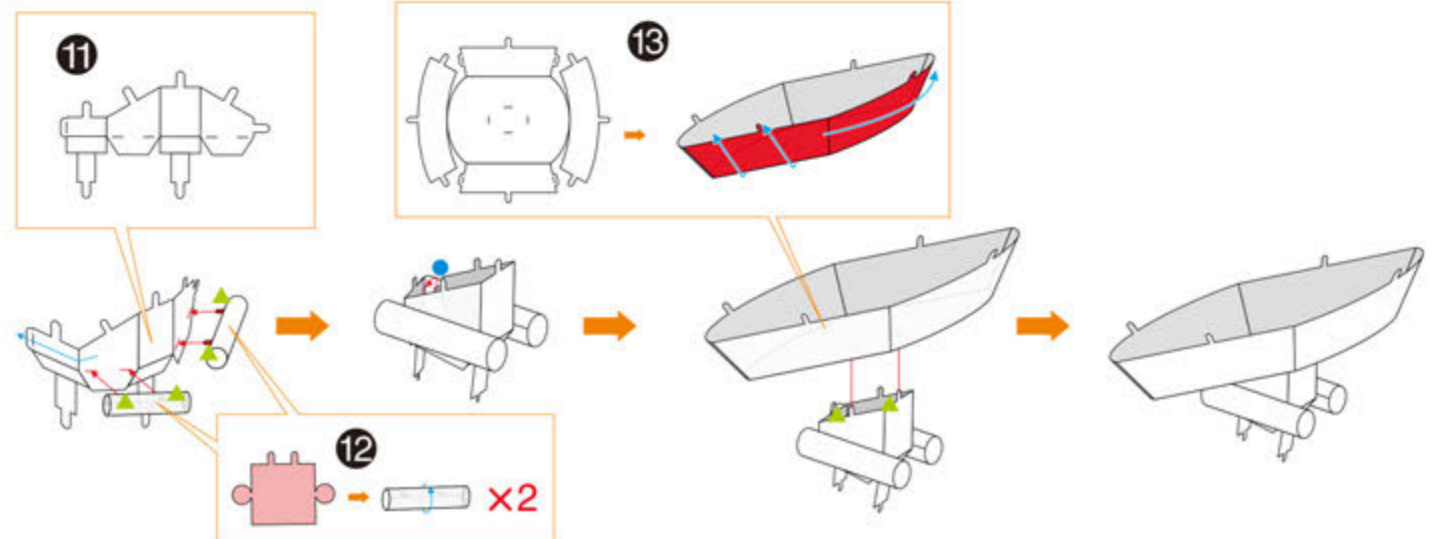
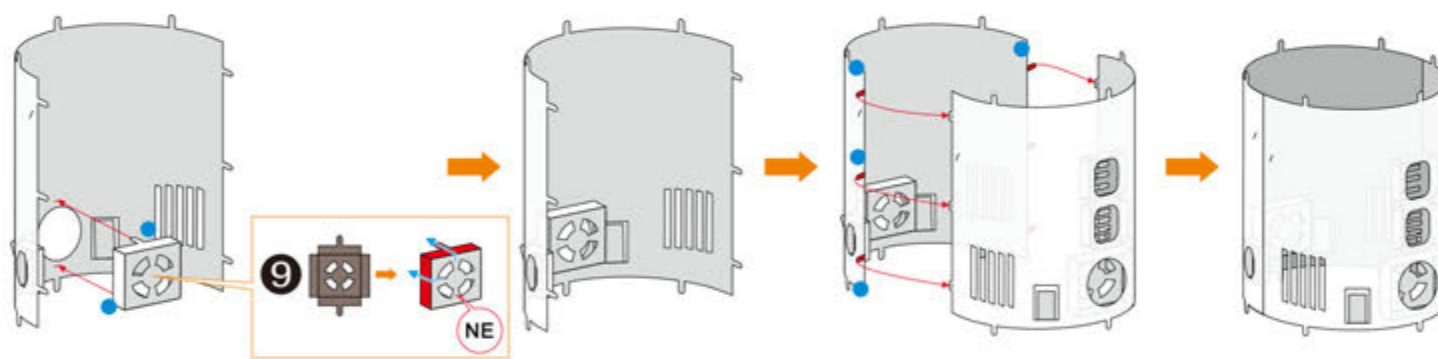
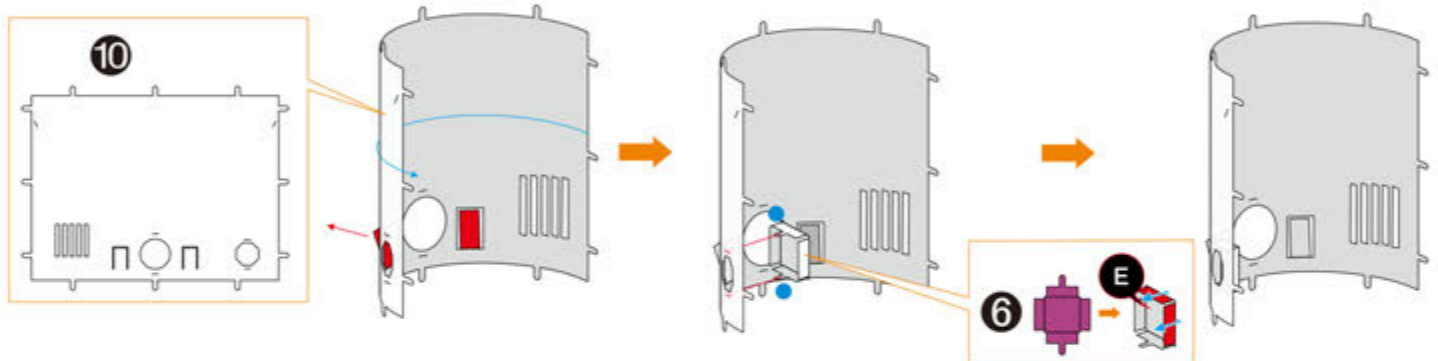
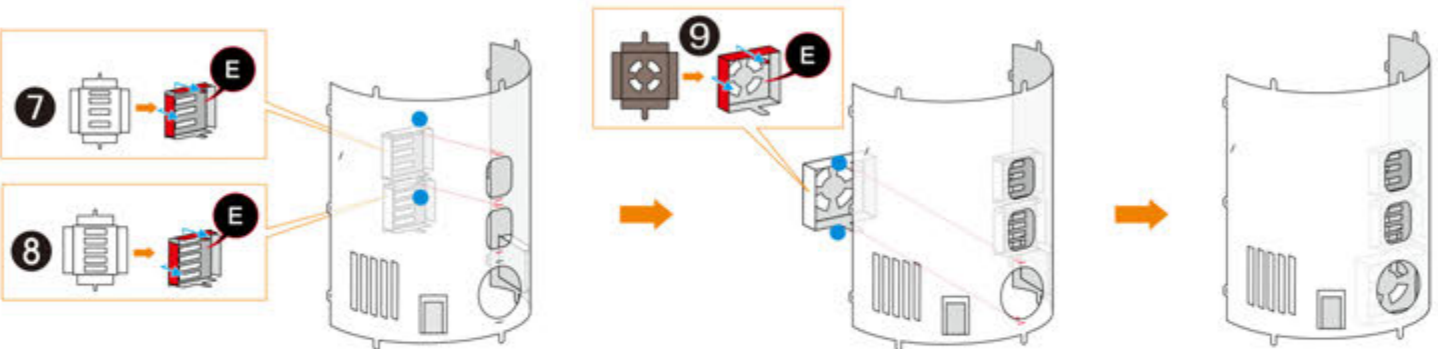
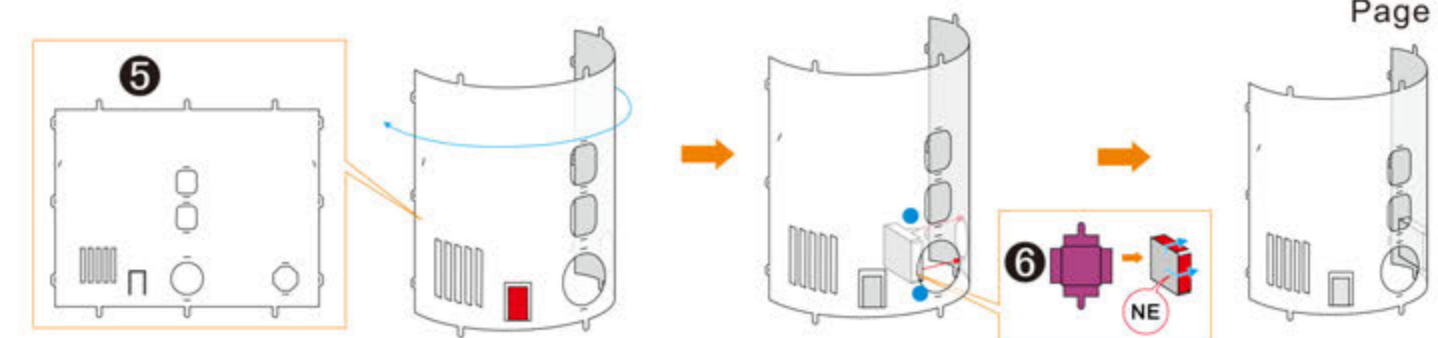
Pull and Screw metal tab 90° to tighten

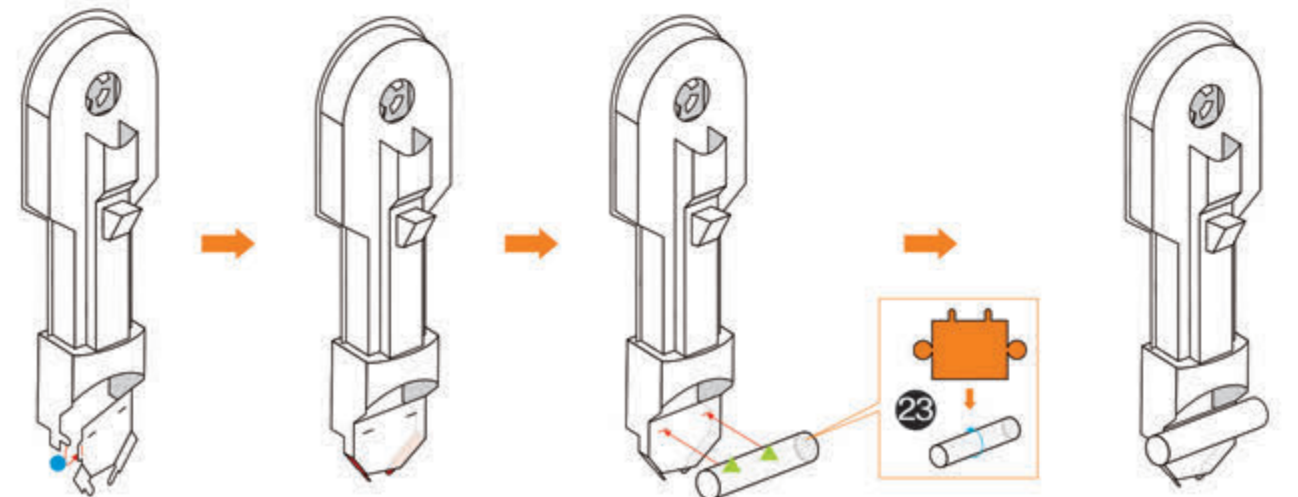
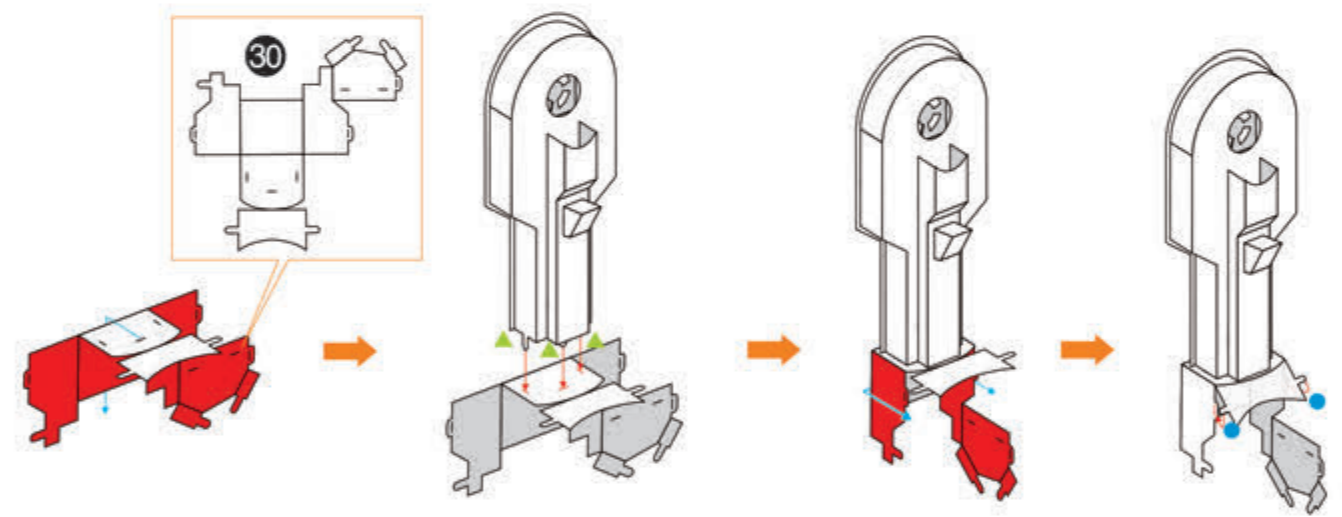
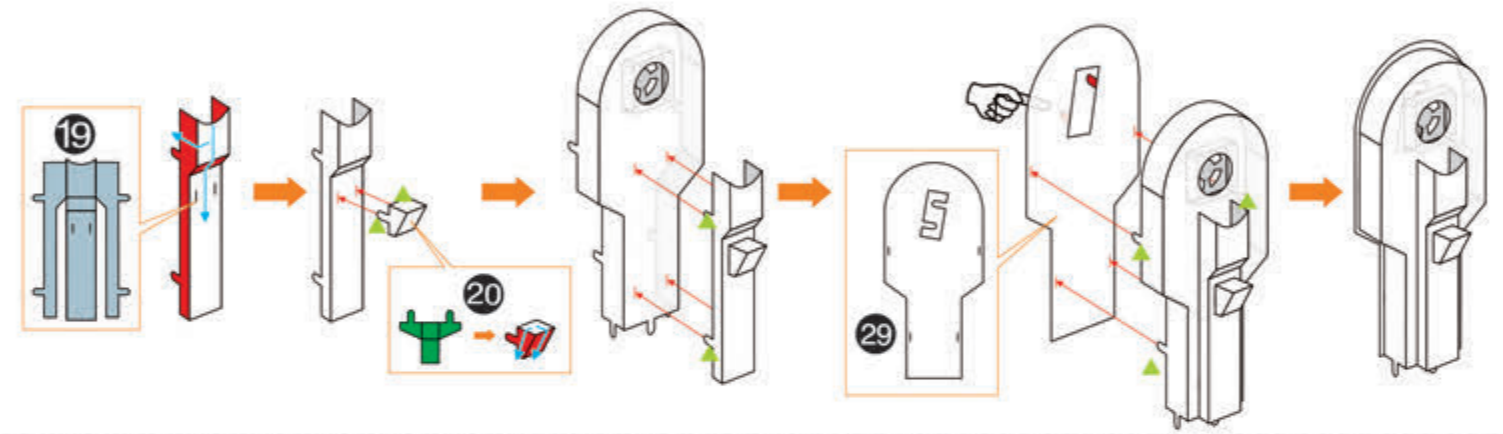
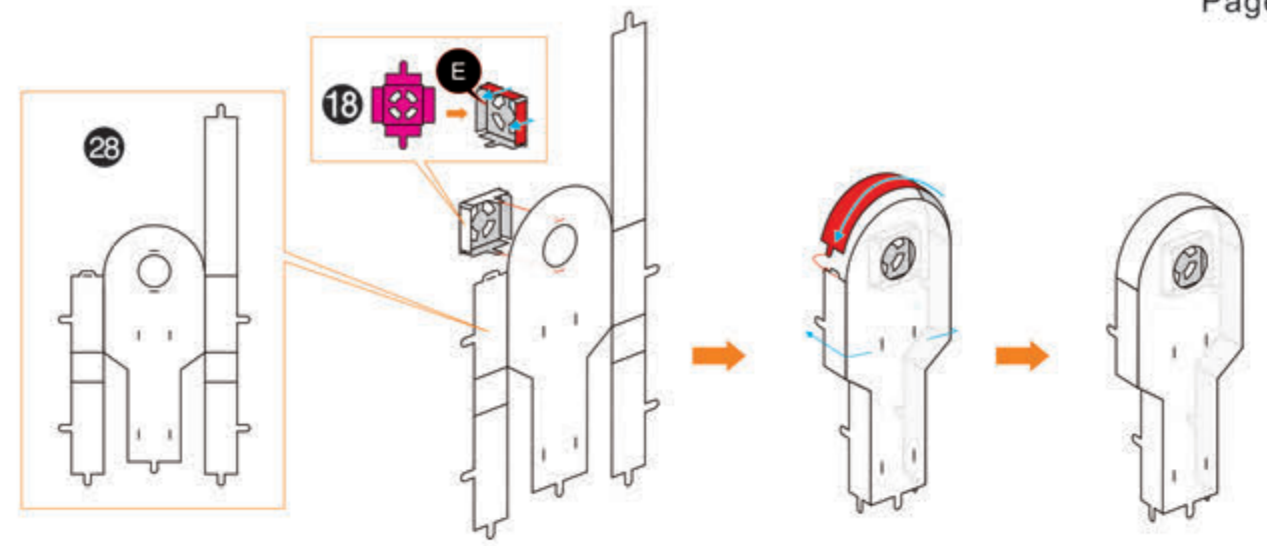
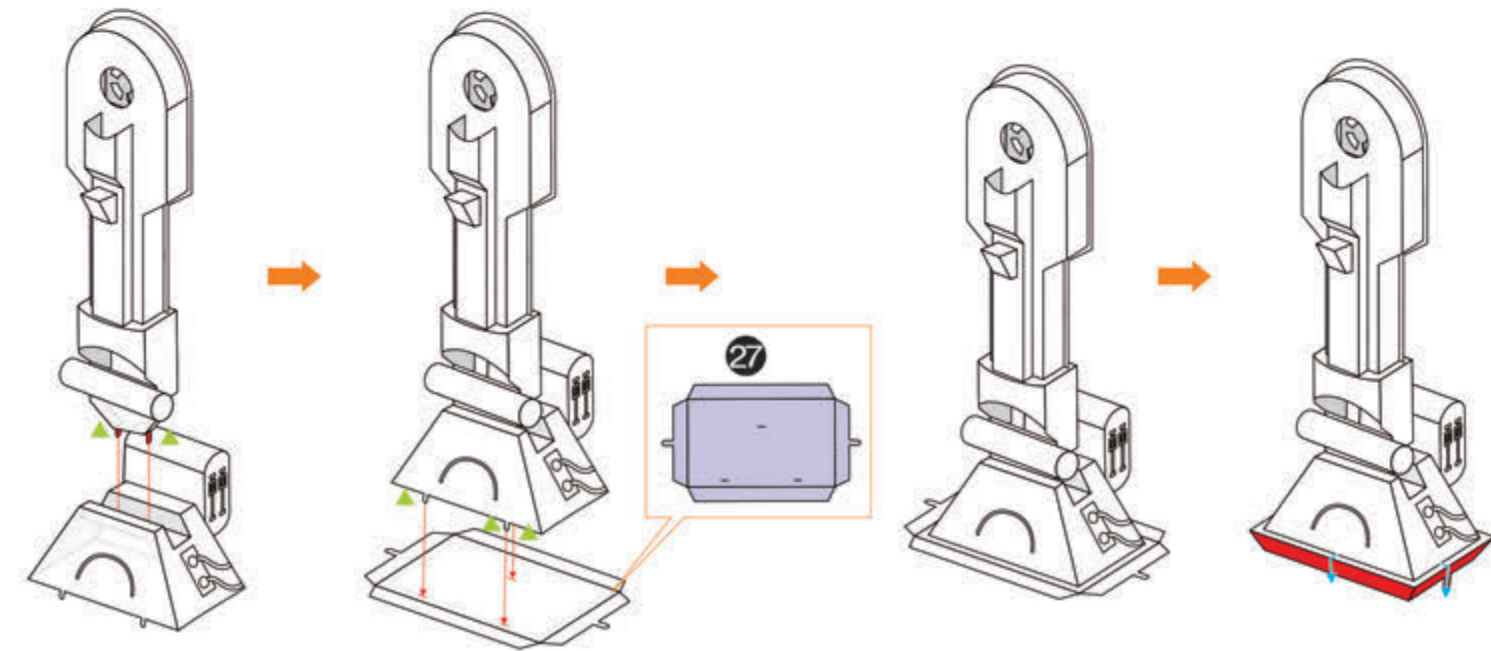
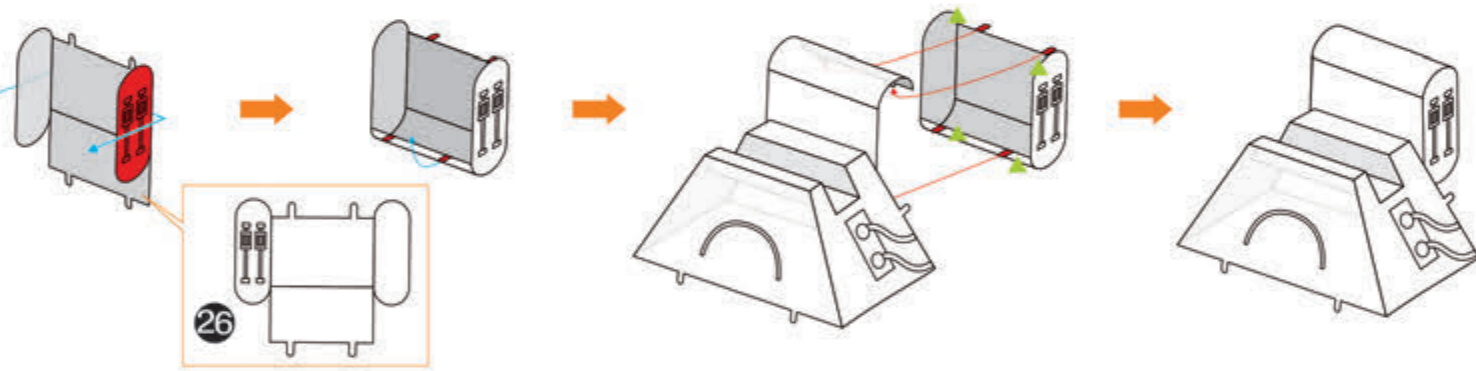
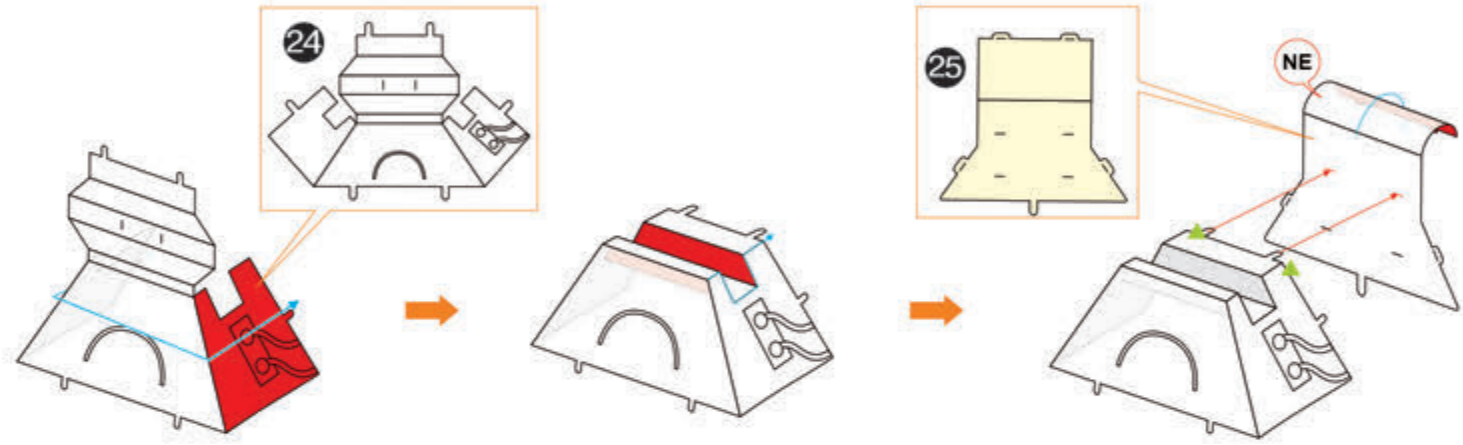
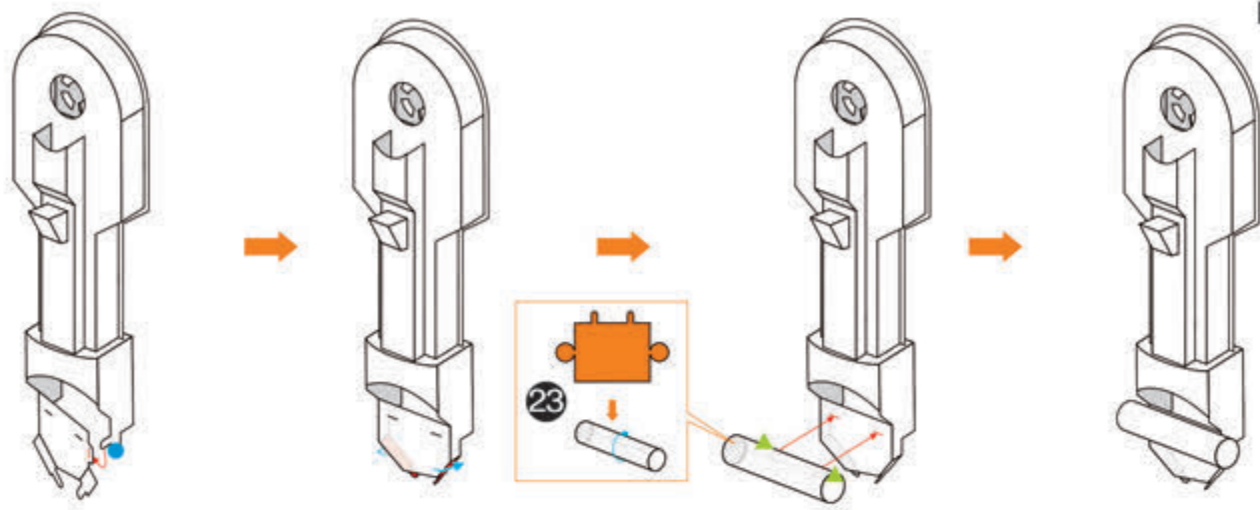


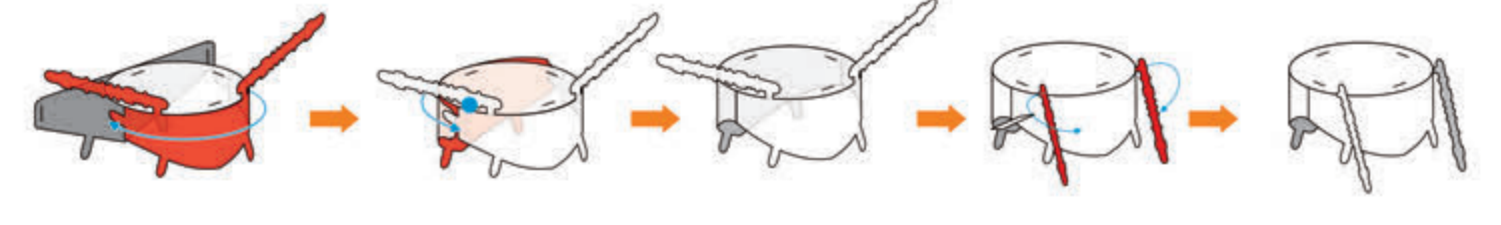
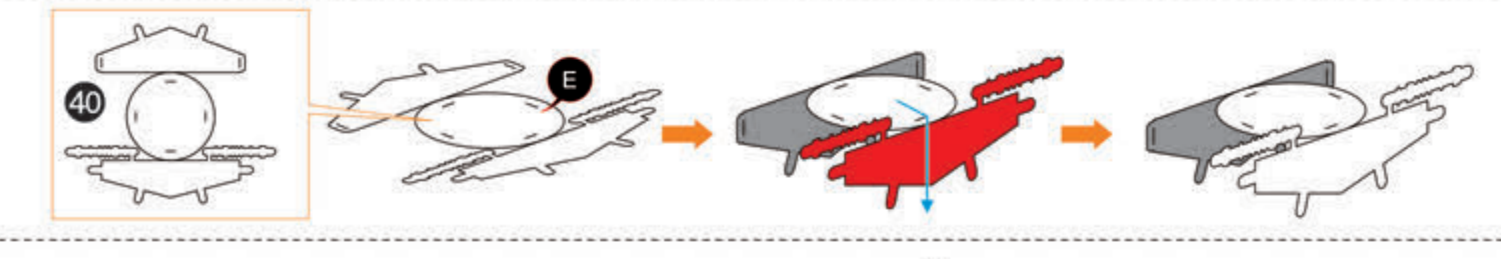
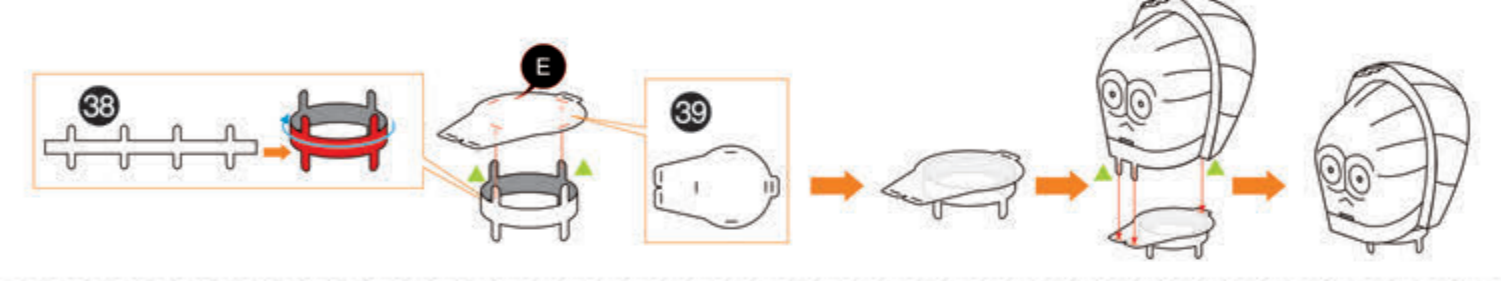
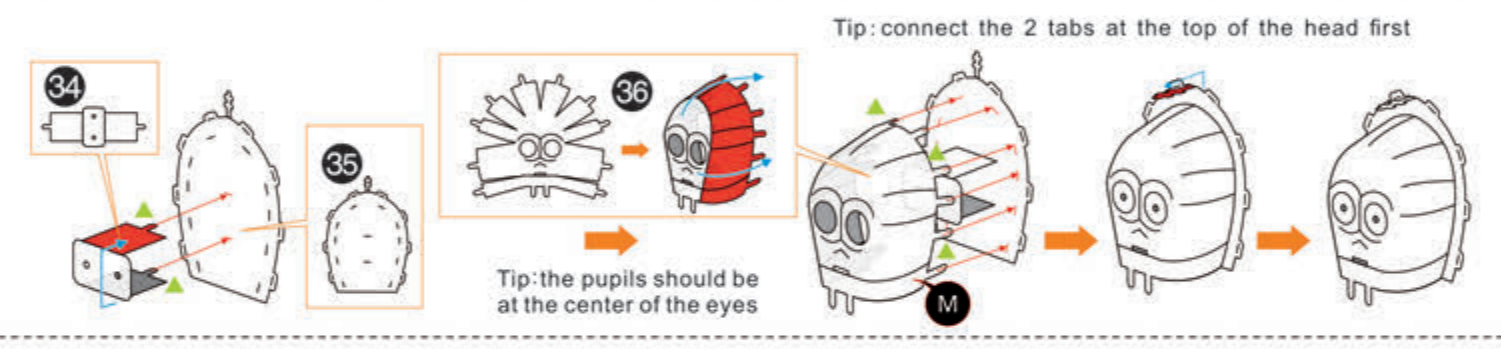
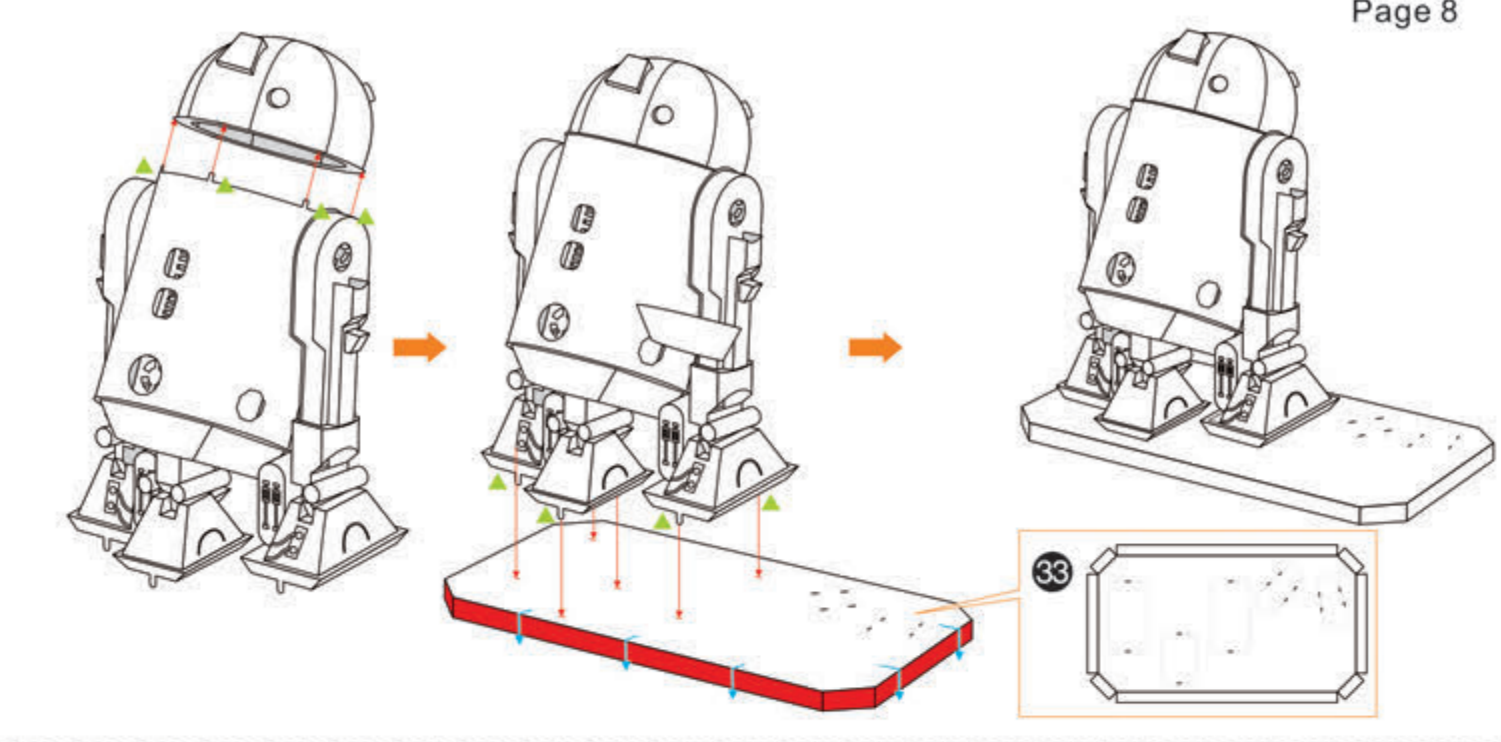
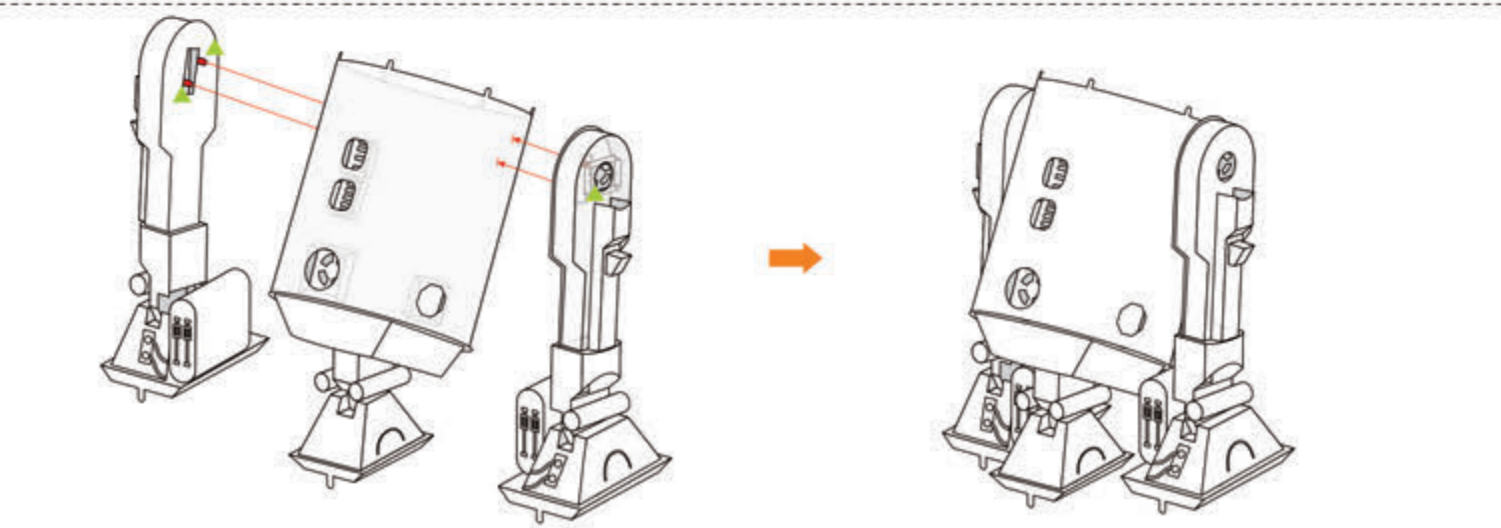
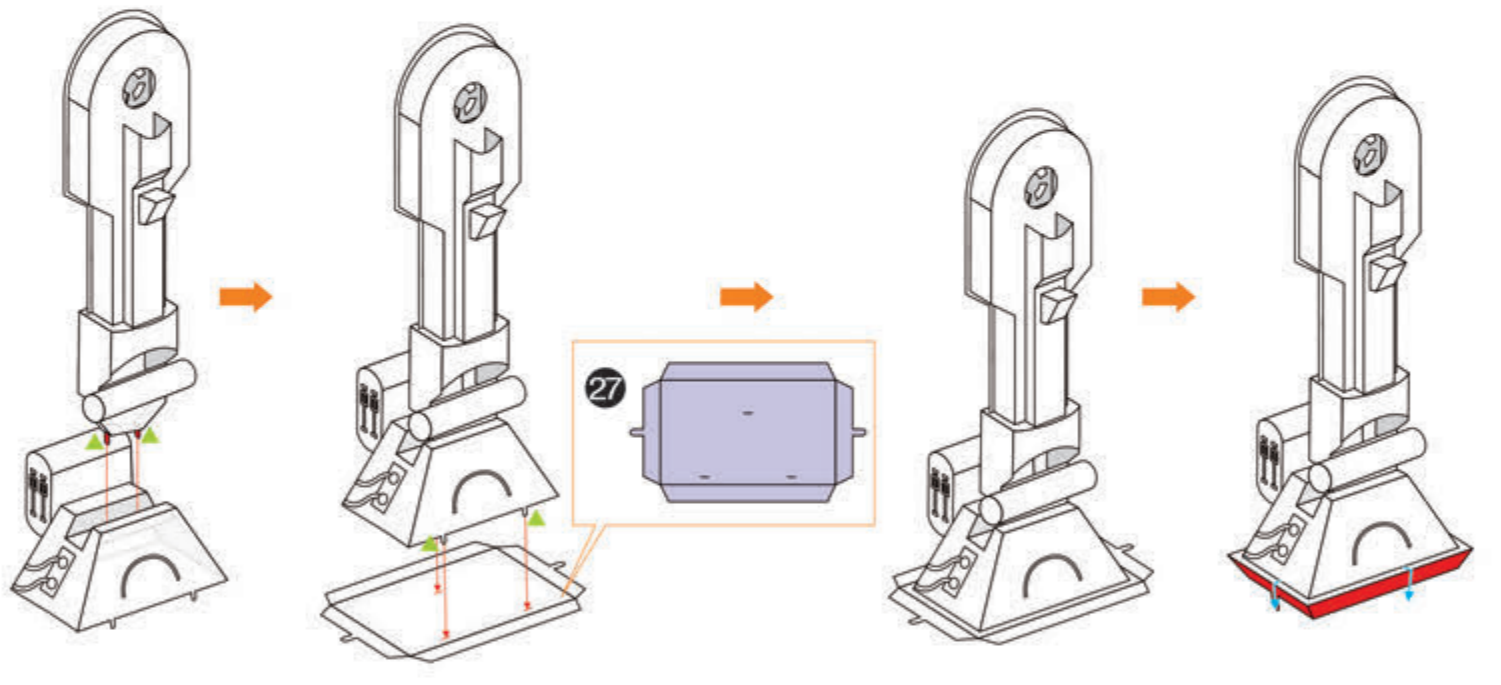
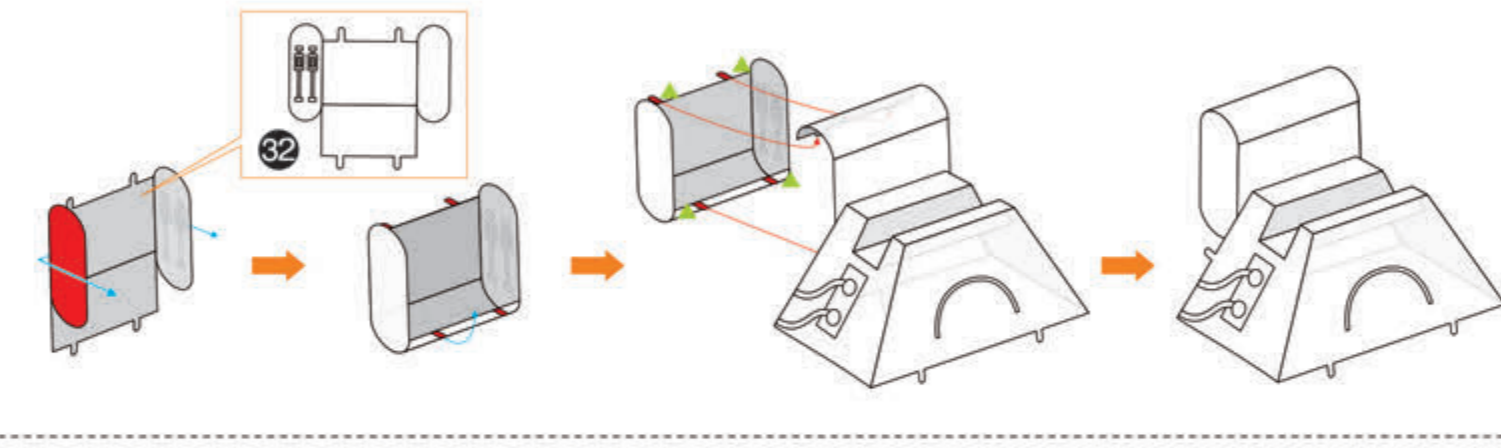
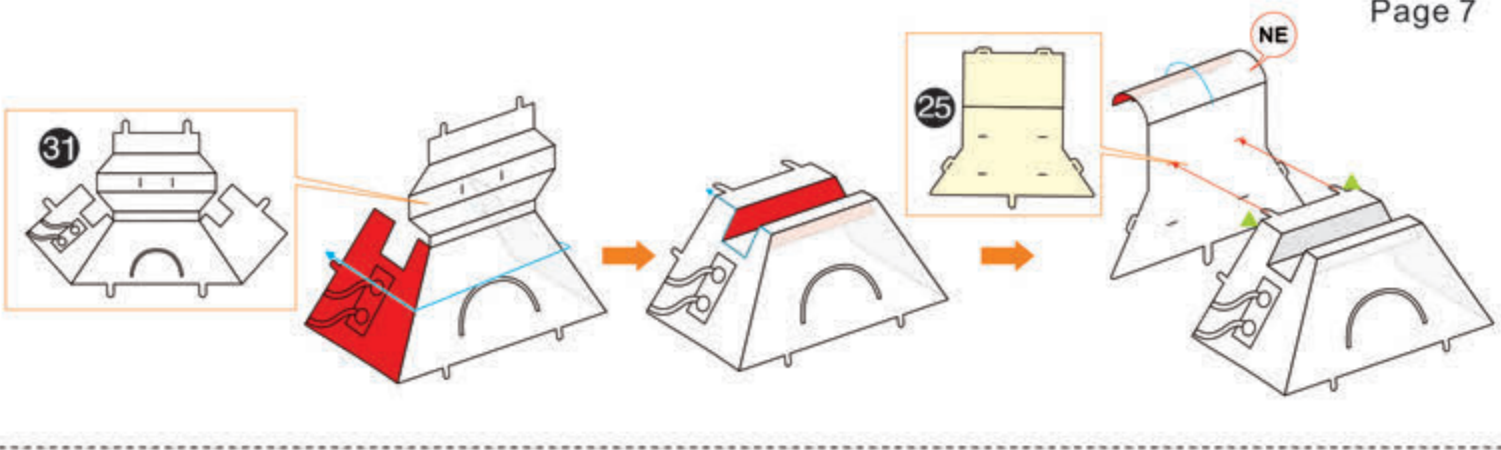
In order to avoid possible injury from sharp edges, please carefully discard the metal sheet after parts have been removed

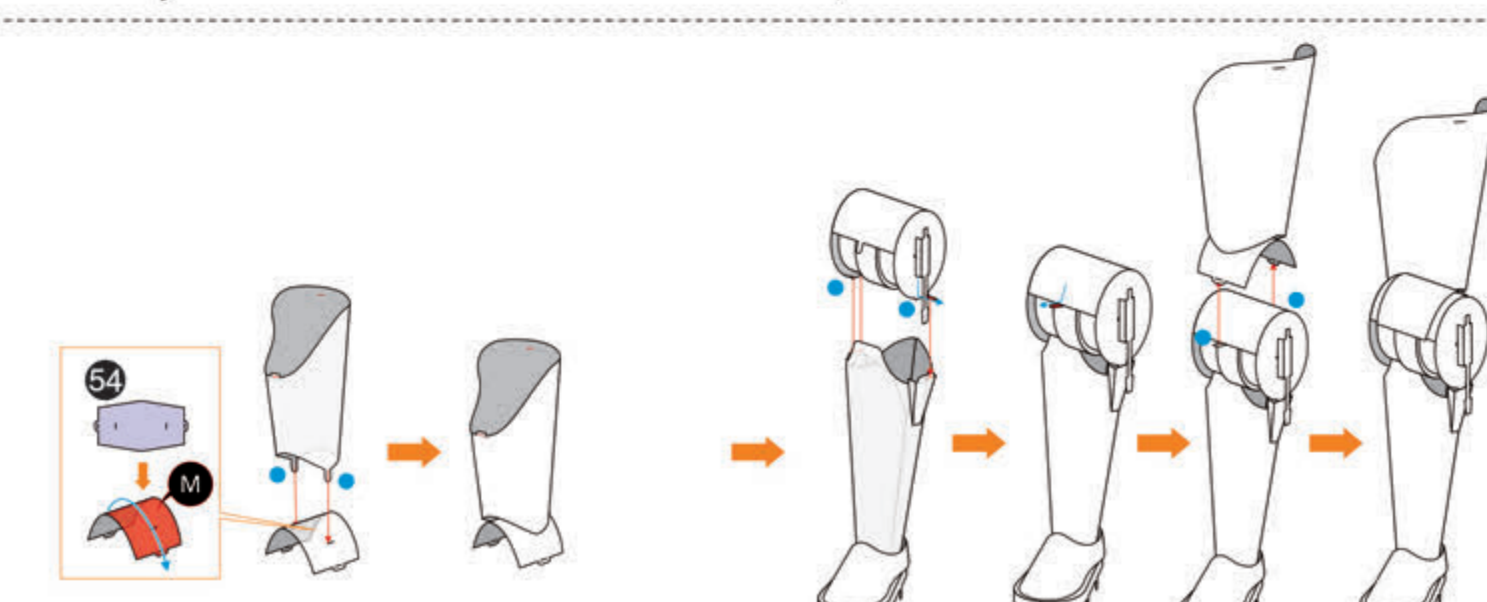
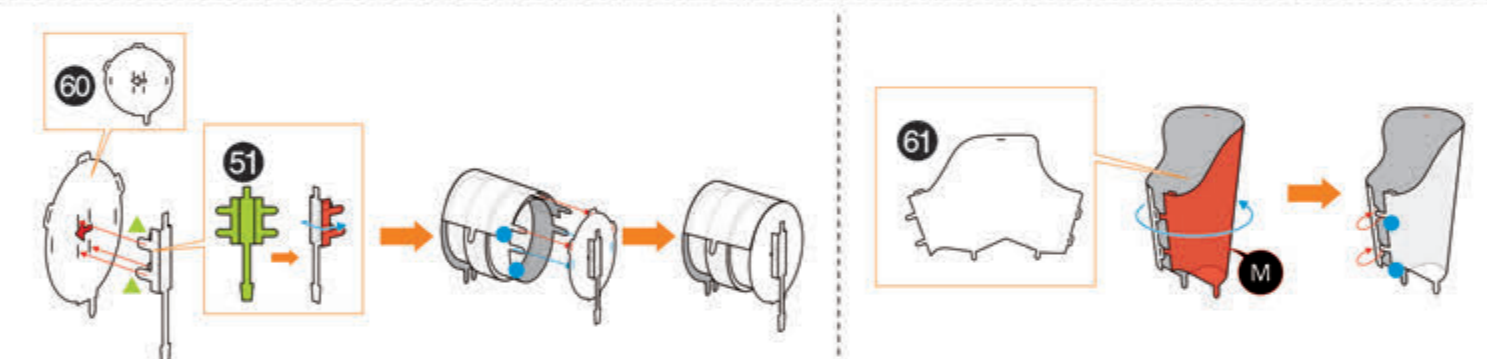
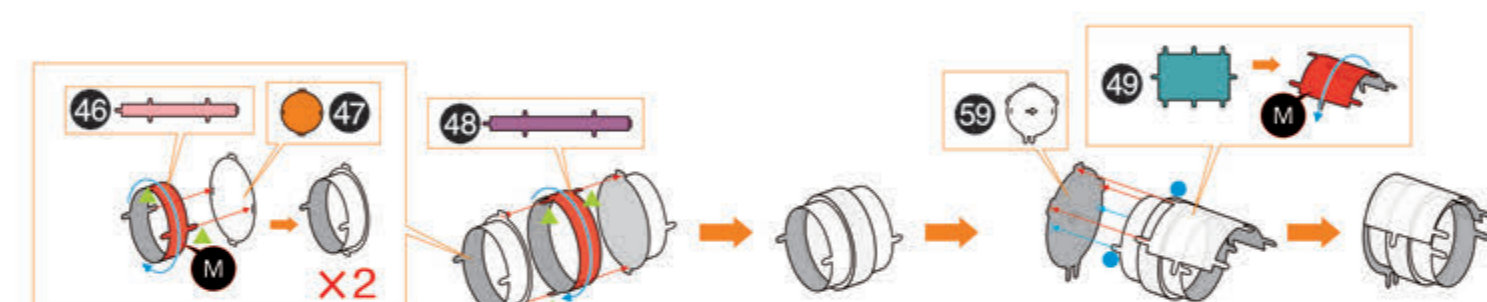
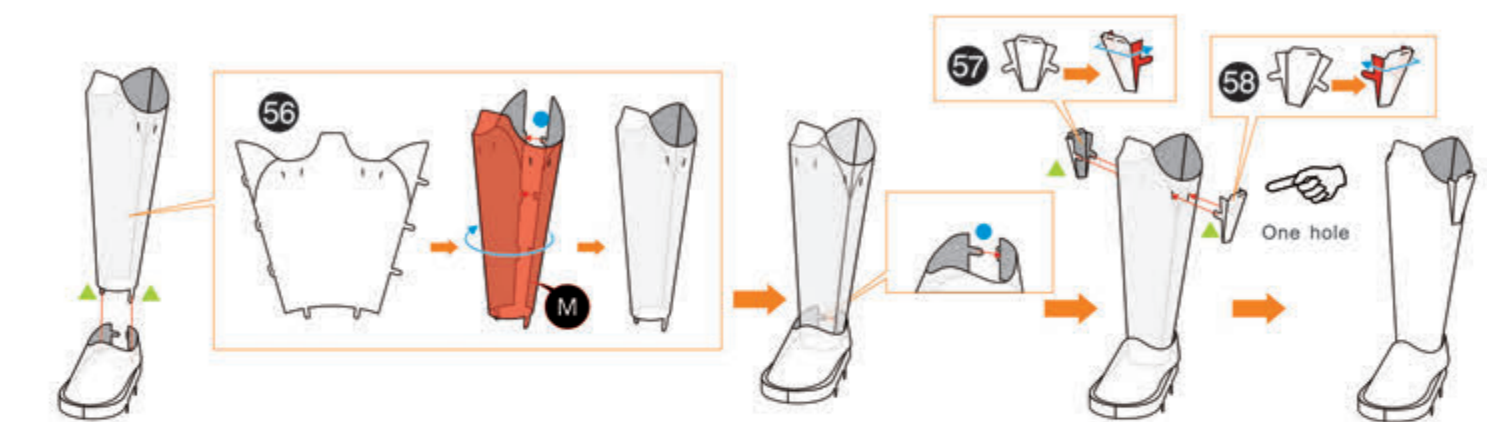
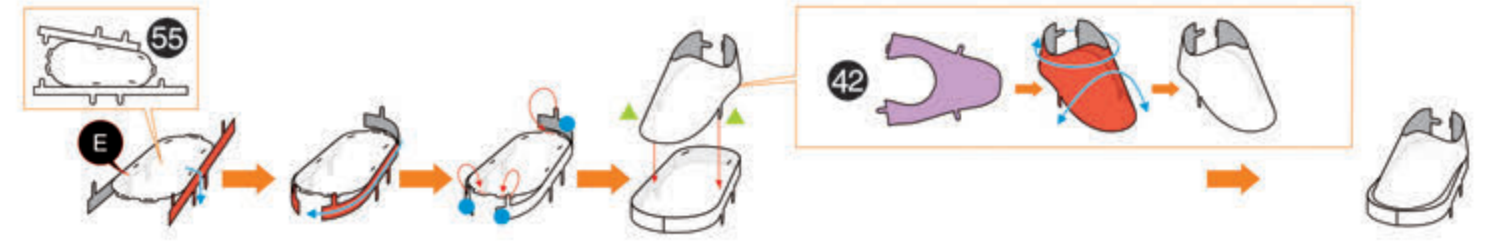
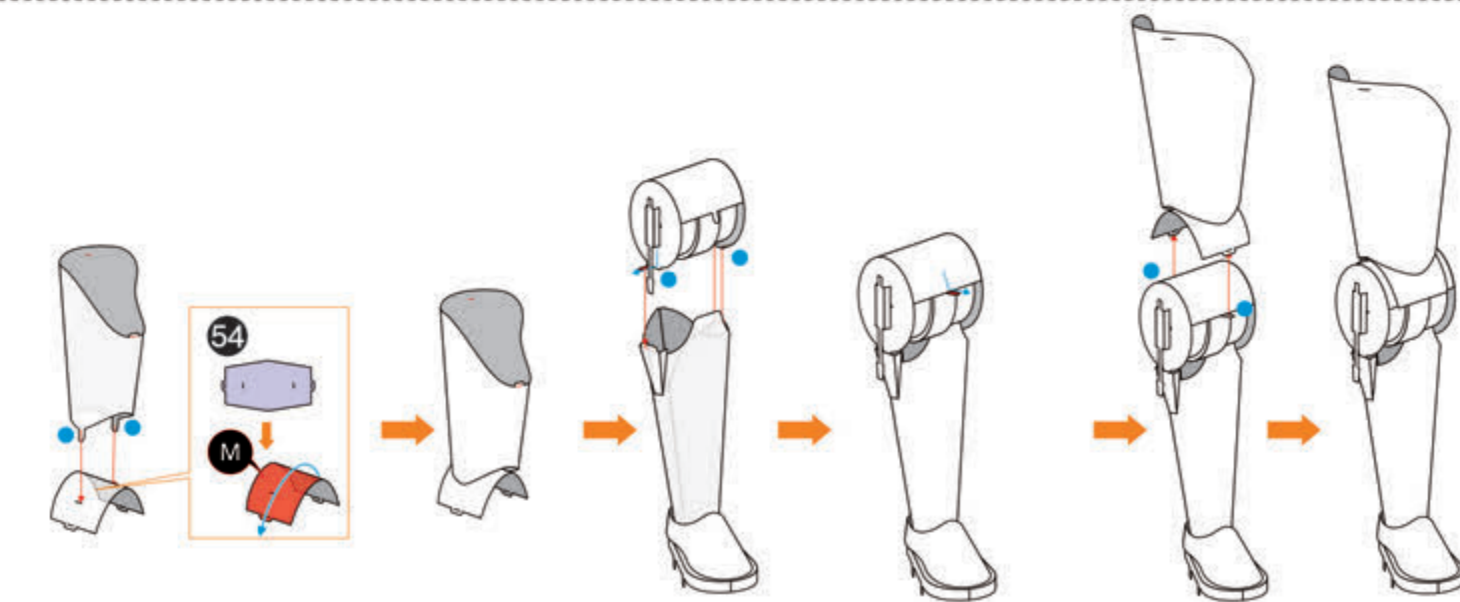
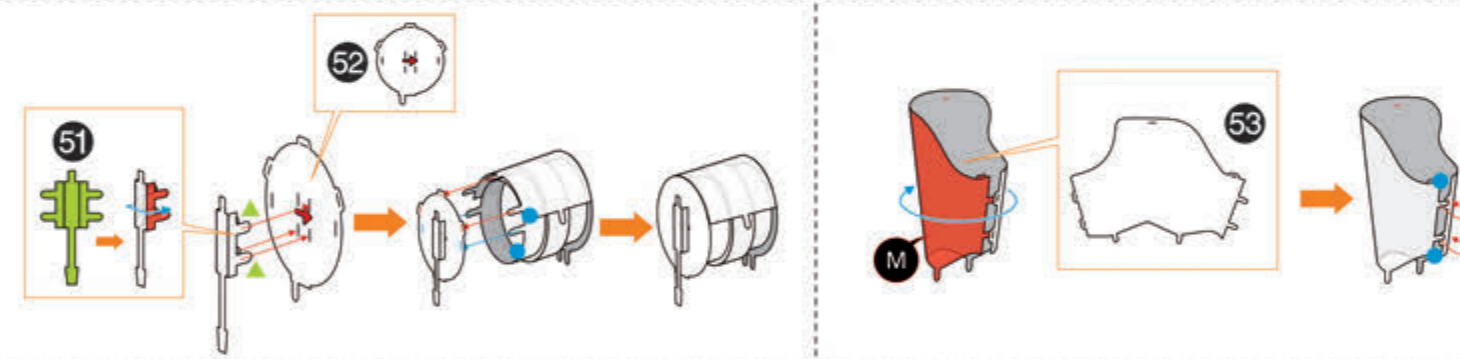
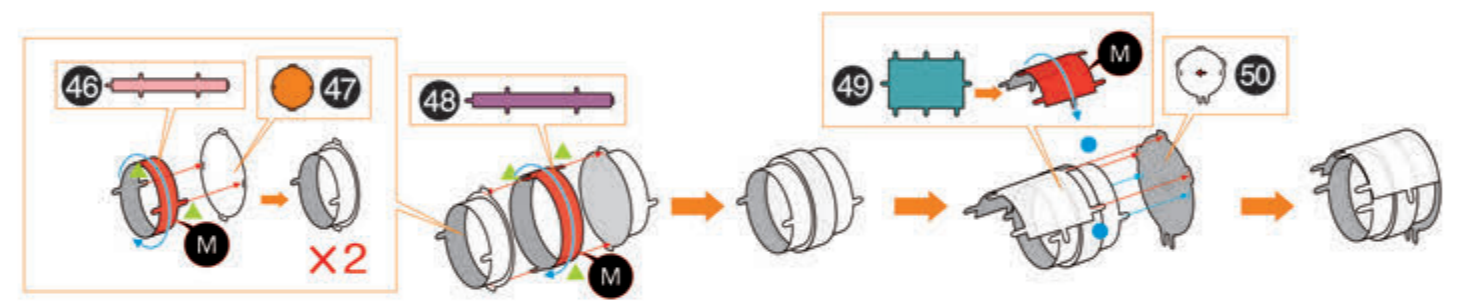
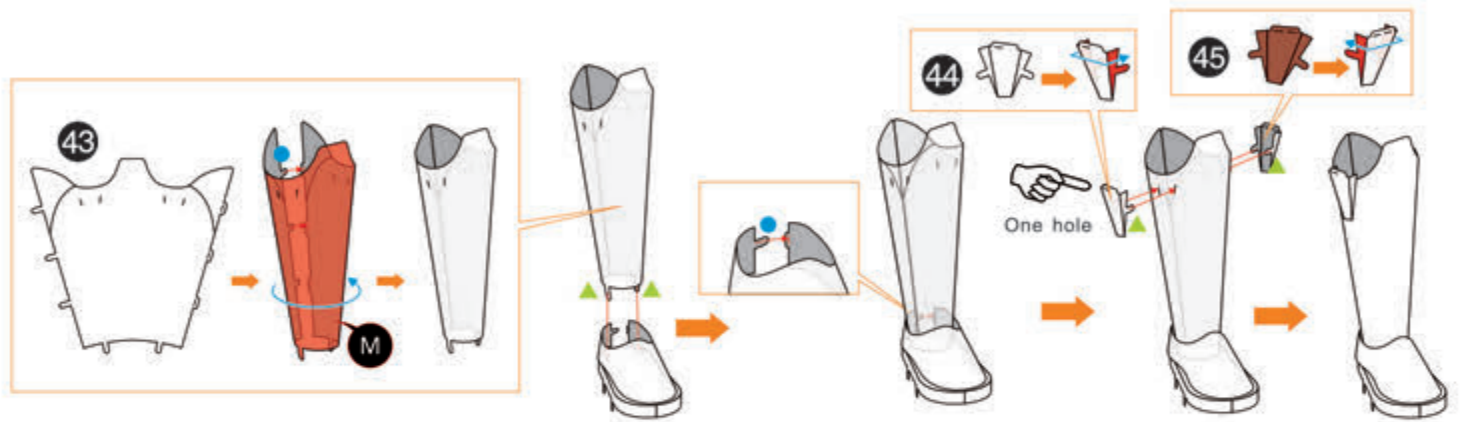
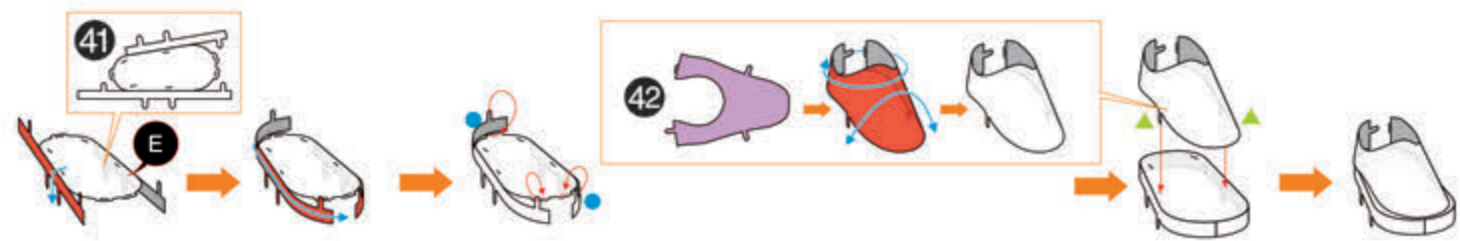
Assembly Flow Chart



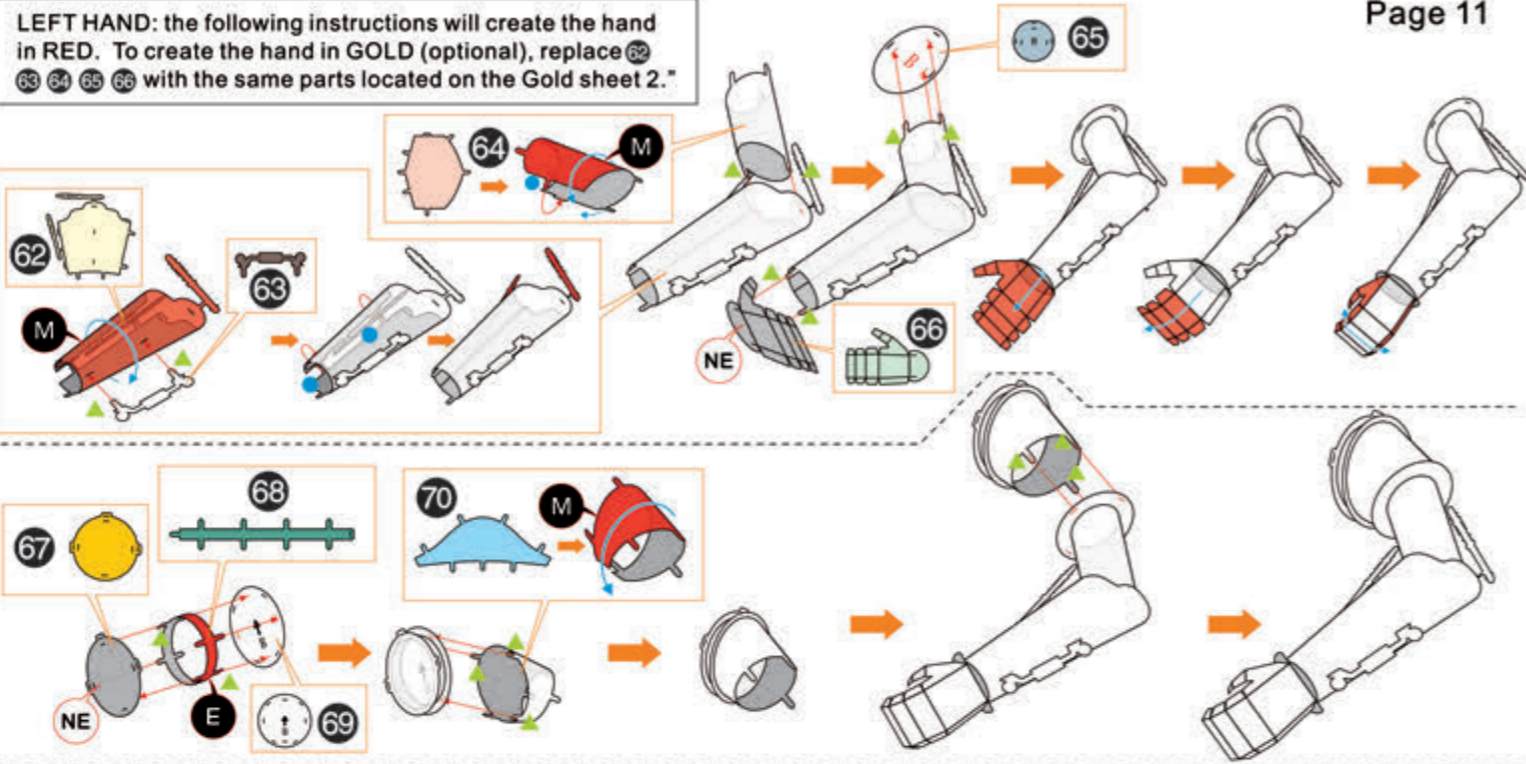








LEFT HAND: the following instructions will create the hand in RED. To create the hand in GOLD (optional), replace 62 63 64 65 66 with the same parts located on the Gold sheet 2.*



RIGHT HAND

