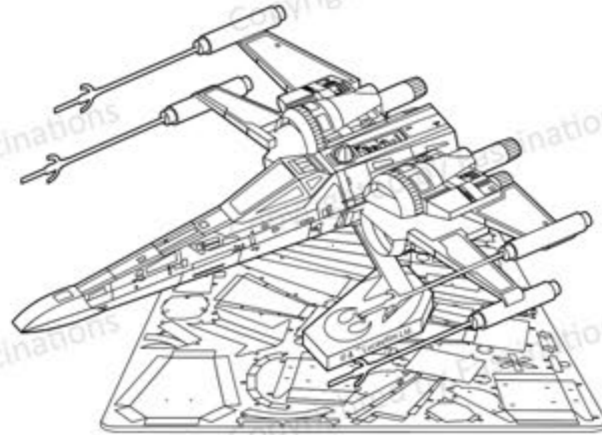


# METAL EARTH™

## 3D LASER CUT MODELS



It is highly recommended that you visit [www.fascinations.com/metalearth360/mms269](http://www.fascinations.com/metalearth360/mms269) to see the completed model before assembling your own

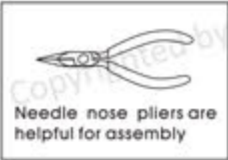


mms269

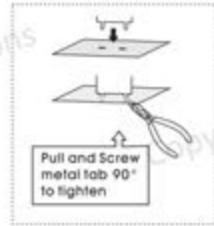
To create the best connections

● Insert tab and bend 90 degrees for most visible areas

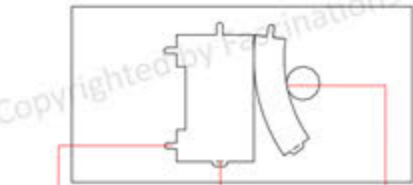
▲ Insert tab and twist 90 degrees is best in some areas to ensure a tight connection



Needle nose pliers are helpful for assembly

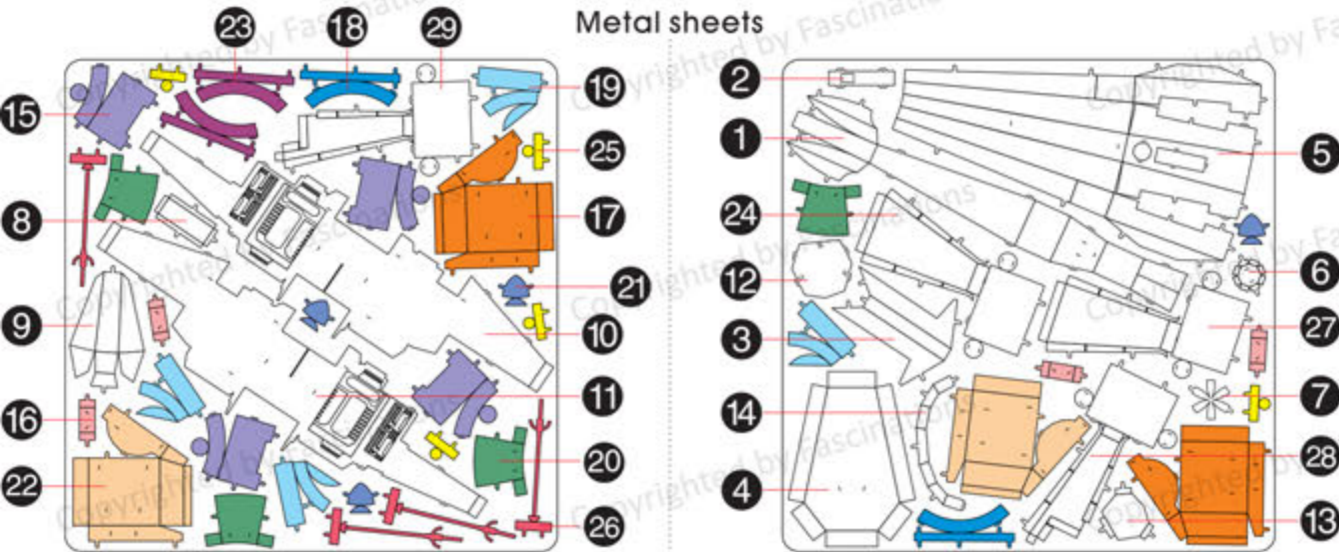


Pull and Screw metal tab 90° to tighten



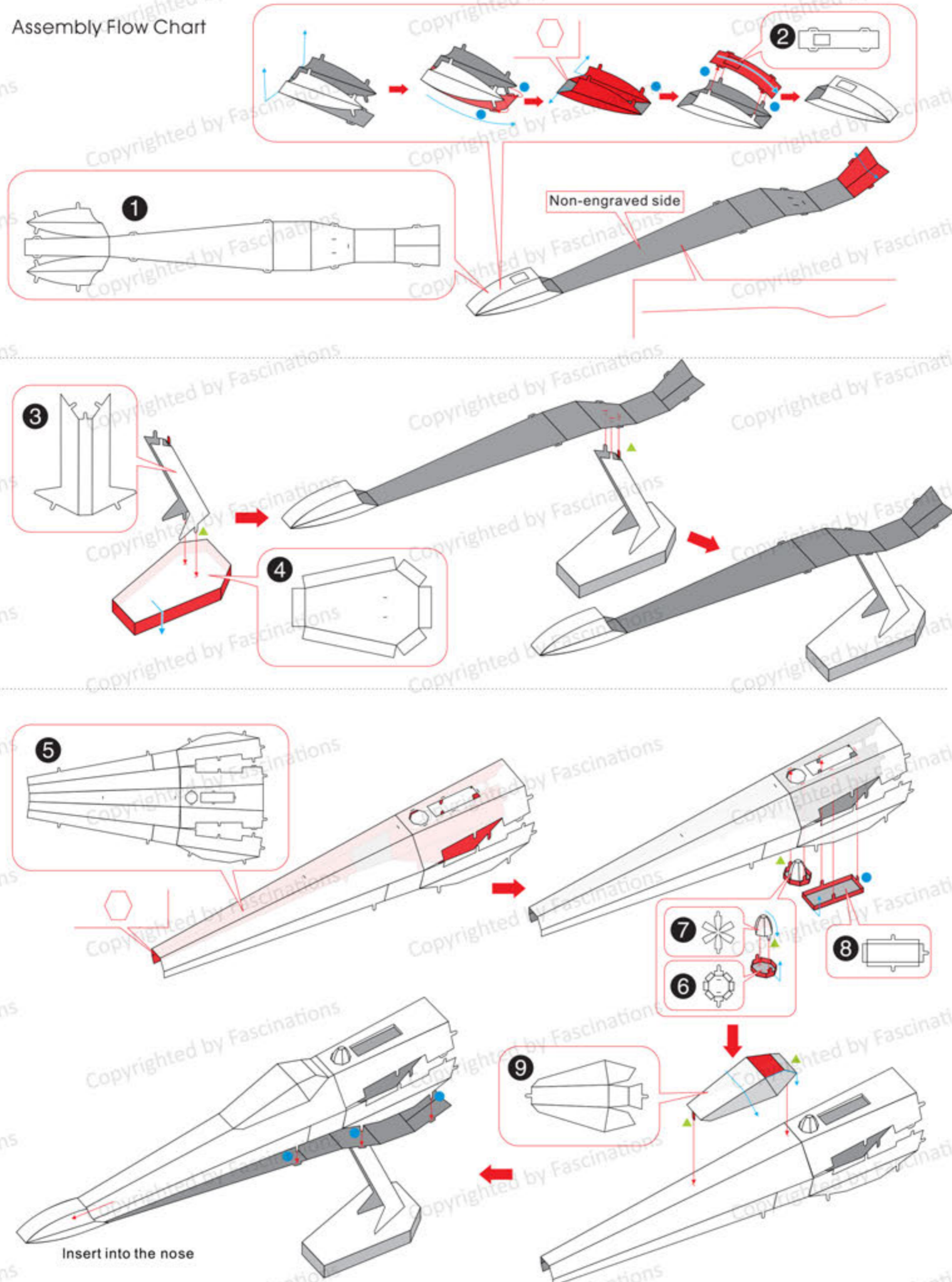
Insertion tabs are inserted and then folded  
Insertion holes  
Fold lines can be seen as shown here

Metal sheets



In order to avoid possible injury from sharp edges, please carefully discard the metal sheet after parts have been removed

### Assembly Flow Chart



Non-engraved side

Insert into the nose

